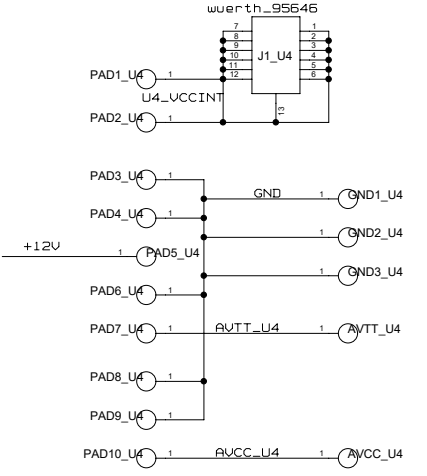
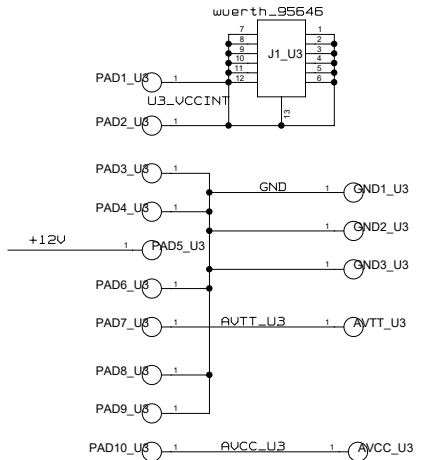
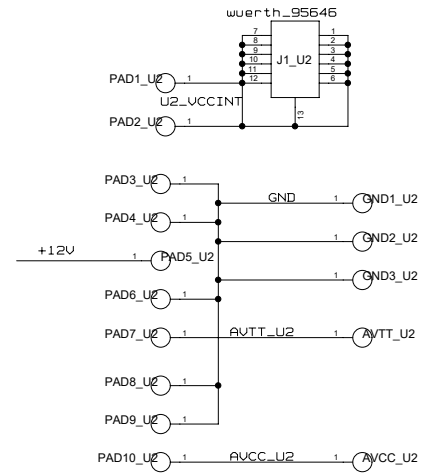
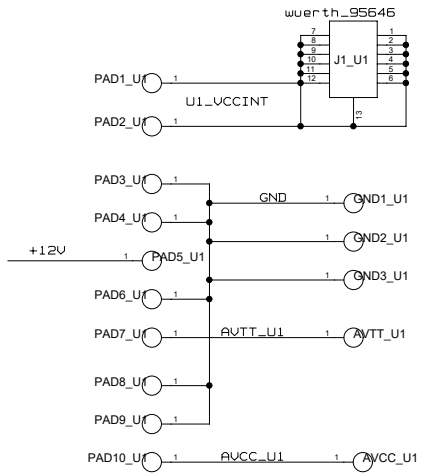


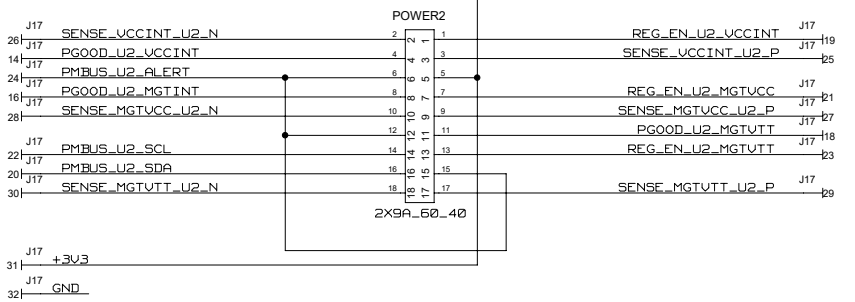
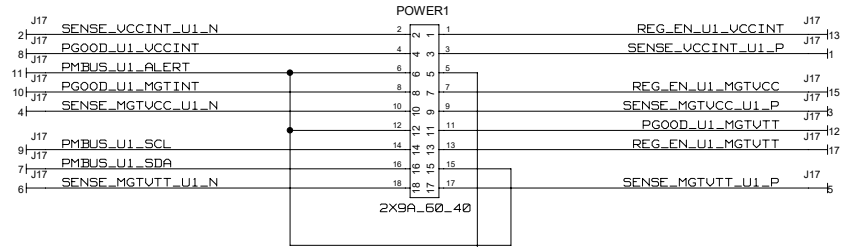
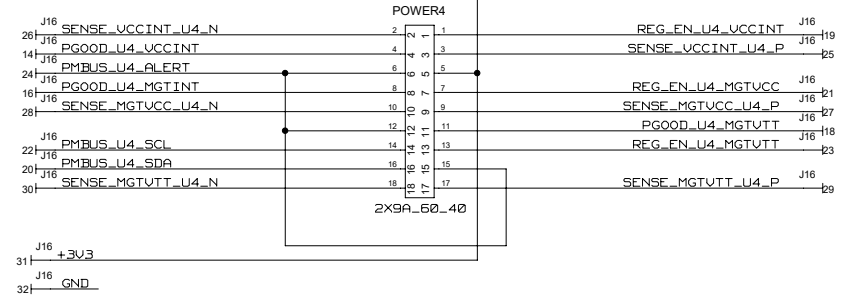
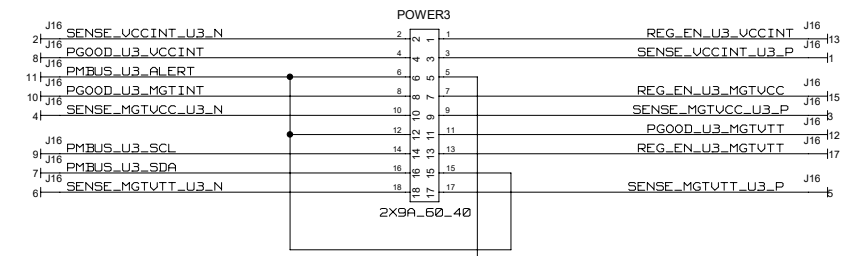
# POWER PANEL

REVISIONS				
ZONE	LTR	DESCRIPTION	DATE	APPR.



CHECKED	NAME	DATE	SIGN	DRAWING TITLE	
CHECKED	J. V. DE SOUZA				
CHECKED	U. SCHAEFER				
CHECKED					
DRAWN	BAUSS	02.01.2018			
BLOCK TITLE				JFEX	
UNIVERSITY OF MAINZ			SIZE		DRAWING NO.
			<b>C</b>		REV.
SCALE				SHEET OF	

REVISIONS				
ZONE	LTR	DESCRIPTION	DATE	APPR.



CHECKED	J. V. DE SOUZA	DATE	SIGN	DRAWING TITLE  <b>JFEX</b>		
CHECKED	U. SCHAEFER					
CHECKED						
DRAWN	BAUSS	02.01.2018				
BLOCK TITLE						
<b>UNIVERSITY OF MAINZ</b>				SIZE <b>C</b>	REV.	DRAWING NO.
				SCALE		SHEET OF