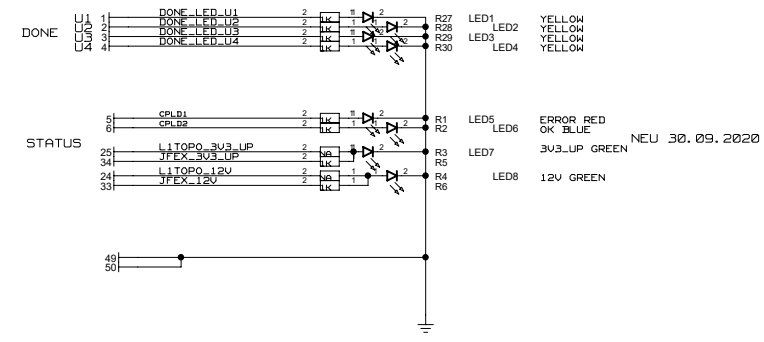


| REVISIONS | | | | |
|-----------|-----|-------------|------|-------|
| ZONE | LTR | DESCRIPTION | DATE | APPR. |
| | | | | |

POWER AND STATUS BOARD



| | | | | |
|---------------------|----------------|------------|------------------|---|
| CHECKED | J. V. DE SOUZA | | | DRAWING TITLE JFEX + L1TOPO |
| CHECKED | U. SCHAEFER | | | |
| CHECKED | | | | |
| DRAWN | BAUSS | 31.01.2019 | | |
| BLOCK TITLE | | | | |
| UNIVERSITY OF MAINZ | | | SIZE C | REV. |
| | | | SCALE | DRAWING NO. |
| | | | | SHEET OF |