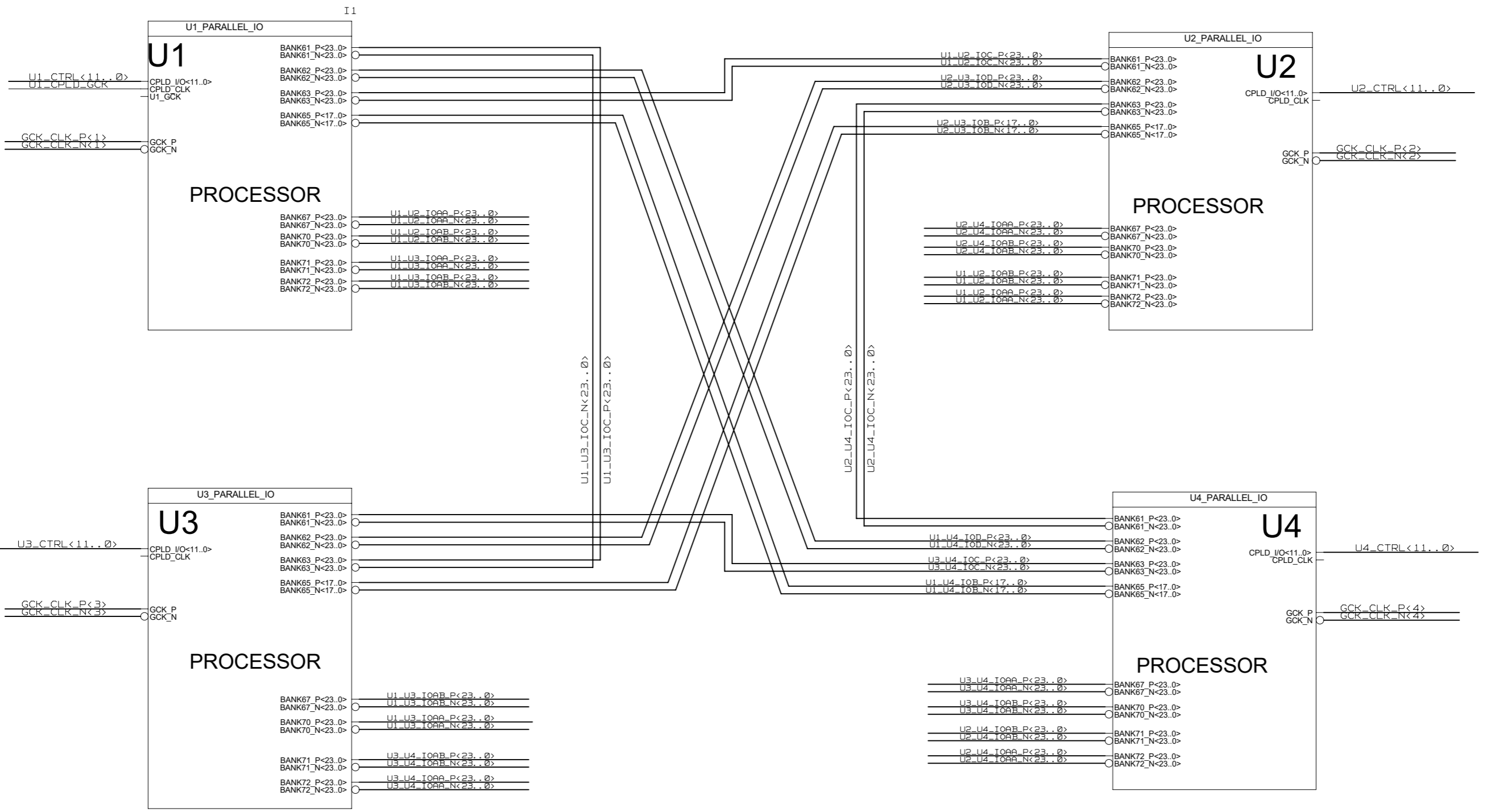


REVISIONS				
ZONE	LTR	DESCRIPTION	DATE	APPR.

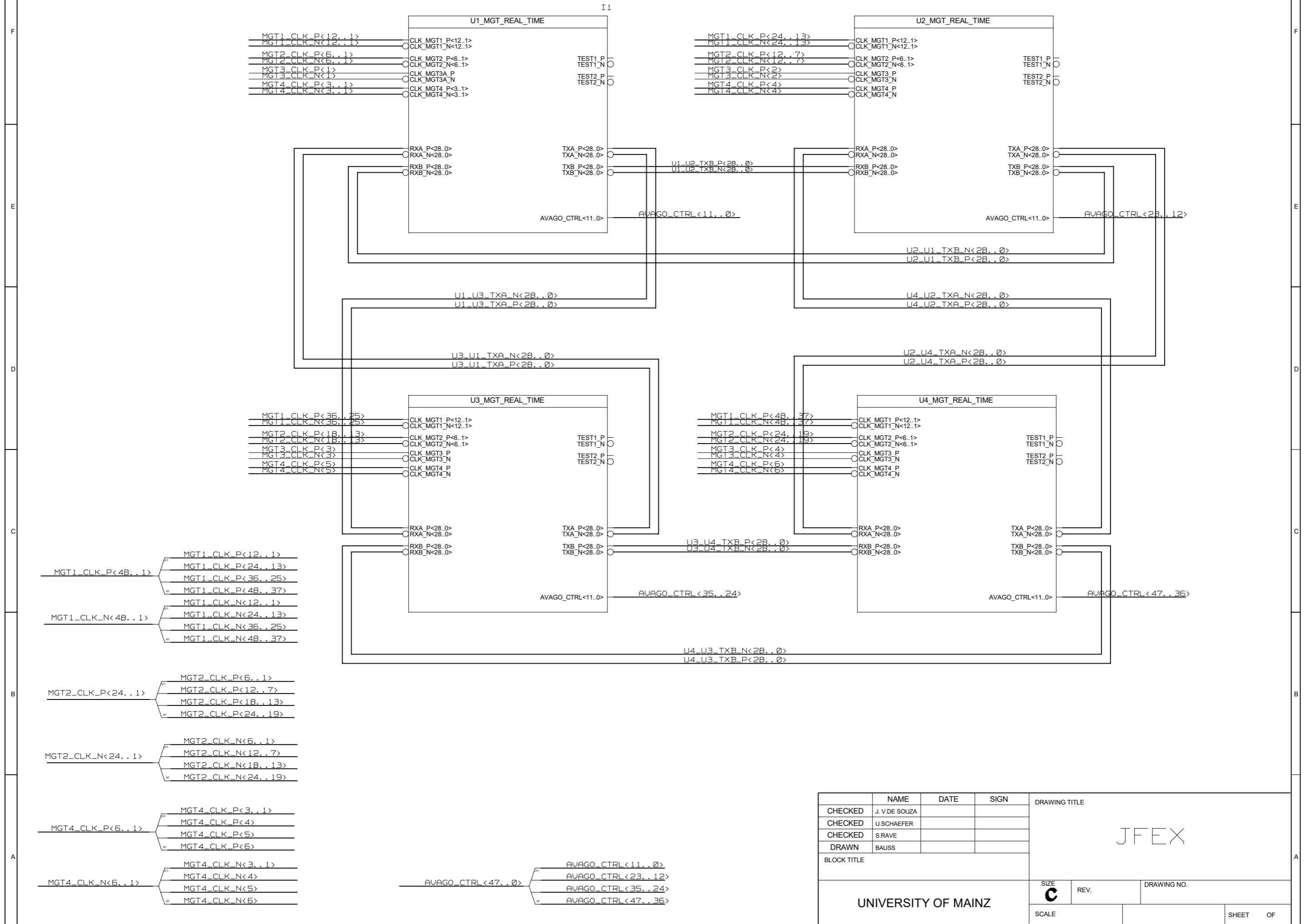
# PARALLEL IO



NAME	DATE	SIGN	DRAWING TITLE
CHECKED J.V.DE SOUZA			JFEX
CHECKED U.SCHAEFER			
CHECKED S.RAVE			
DRAWN BAUSS			
BLOCK TITLE			
UNIVERSITY OF MAINZ			SIZE <b>C</b>
			REV.
			DRAWING NO.
			SCALE
			SHEET OF

# HIGH SPEED SIGNALS

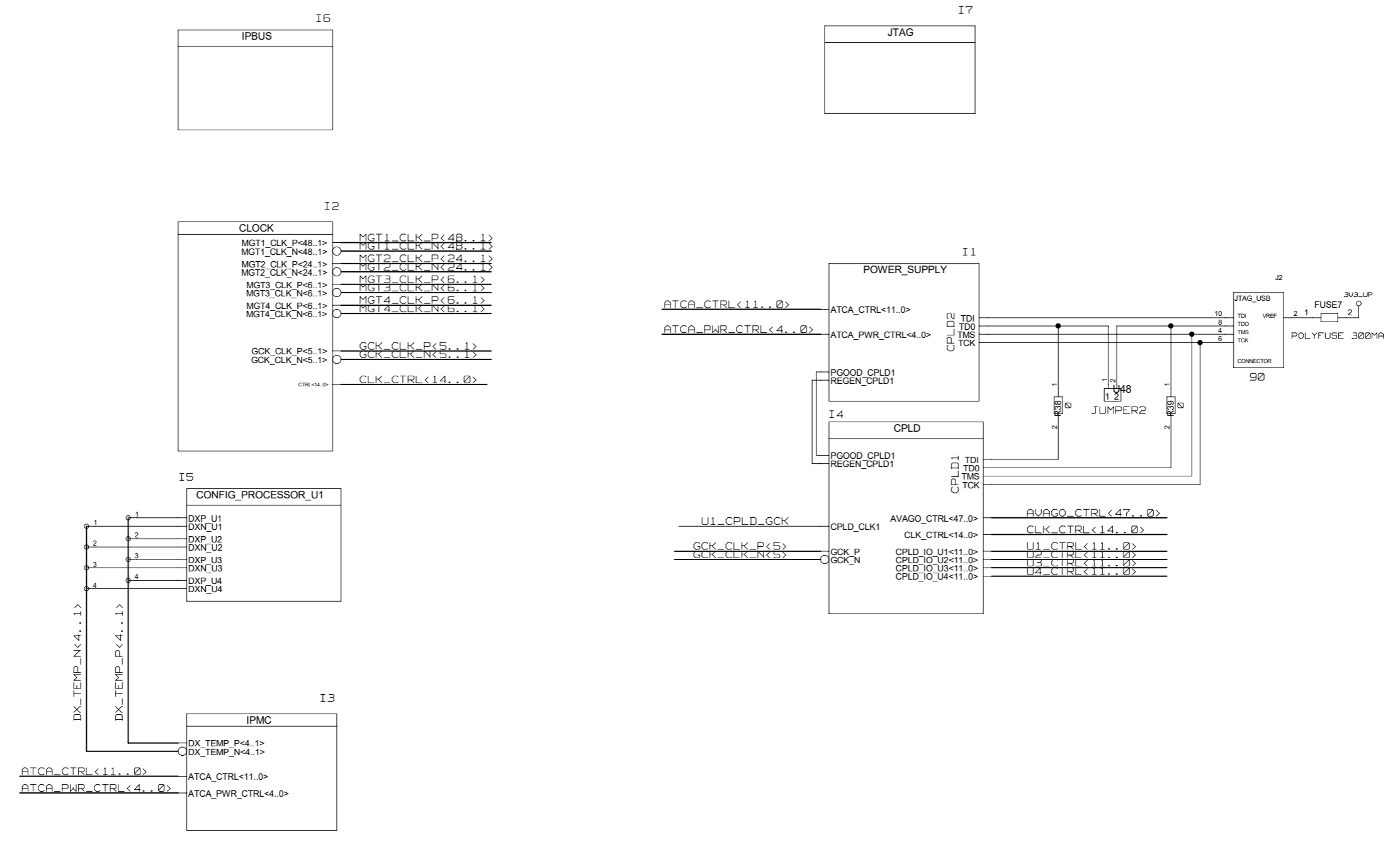
REVISIONS				
ZONE	LTR	DESCRIPTION	DATE	APPR.



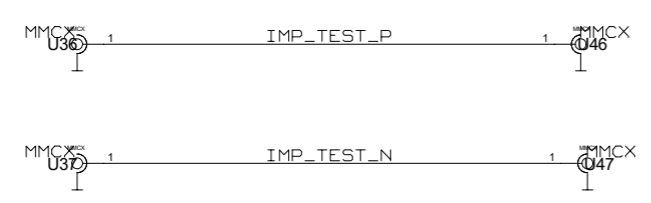
NAME	DATE	SIGN	DRAWING TITLE
CHECKED J. V. DE SOUZA			JFEX
CHECKED U. SCHAEFER			
CHECKED S. RAVE			
DRAWN BAUSS			
BLOCK TITLE			
UNIVERSITY OF MAINZ			SIZE <b>C</b> REV. DRAWING NO. SCALE SHEET OF

REVISIONS				
ZONE	LTR	DESCRIPTION	DATE	APPR.

# CLOCKS, POWER, CONFIG, IPMC, JTAG, CONTROL, IPBUS



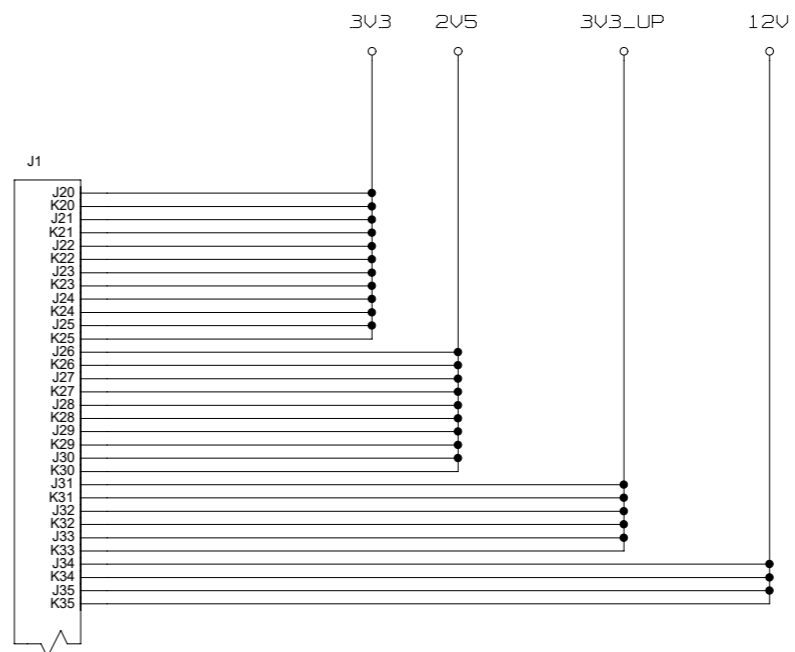
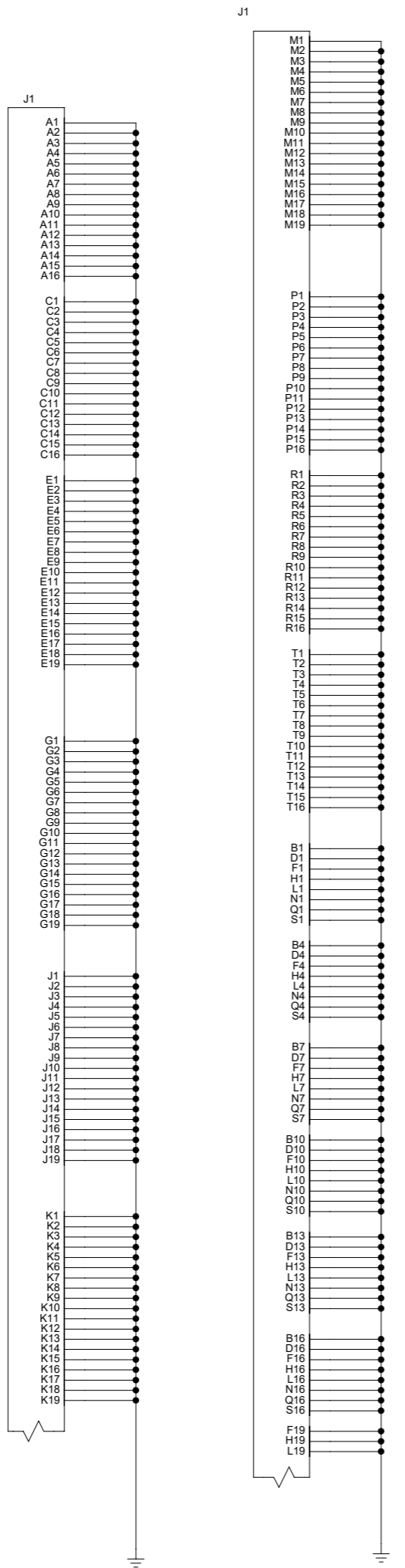
# TEST STRUCTURE



NAME	DATE	SIGN	DRAWING TITLE		
CHECKED J. V. DE SOUZA			JFEX		
CHECKED U. SCHAEFER					
CHECKED S. RAVE					
DRAWN BAUSS					
BLOCK TITLE					
UNIVERSITY OF MAINZ			SIZE	REV.	DRAWING NO.
			SCALE		SHEET OF

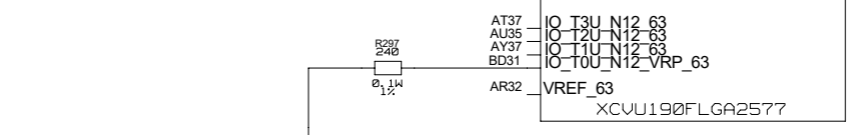
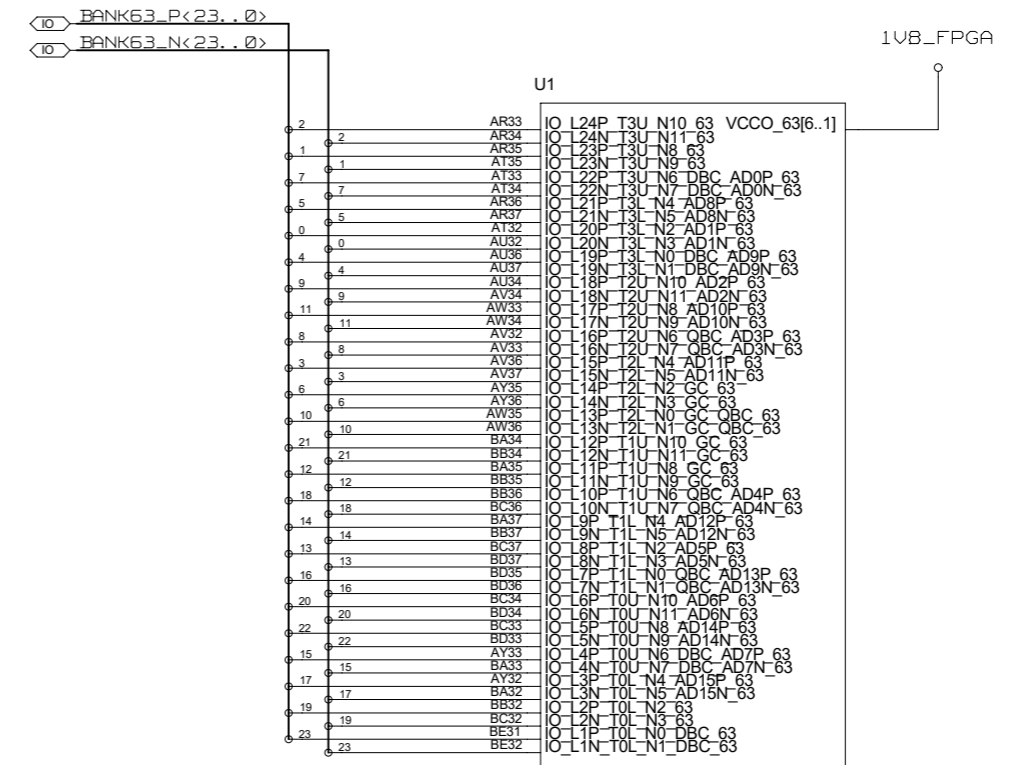
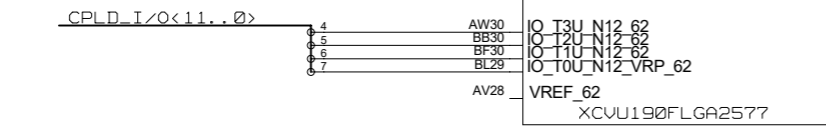
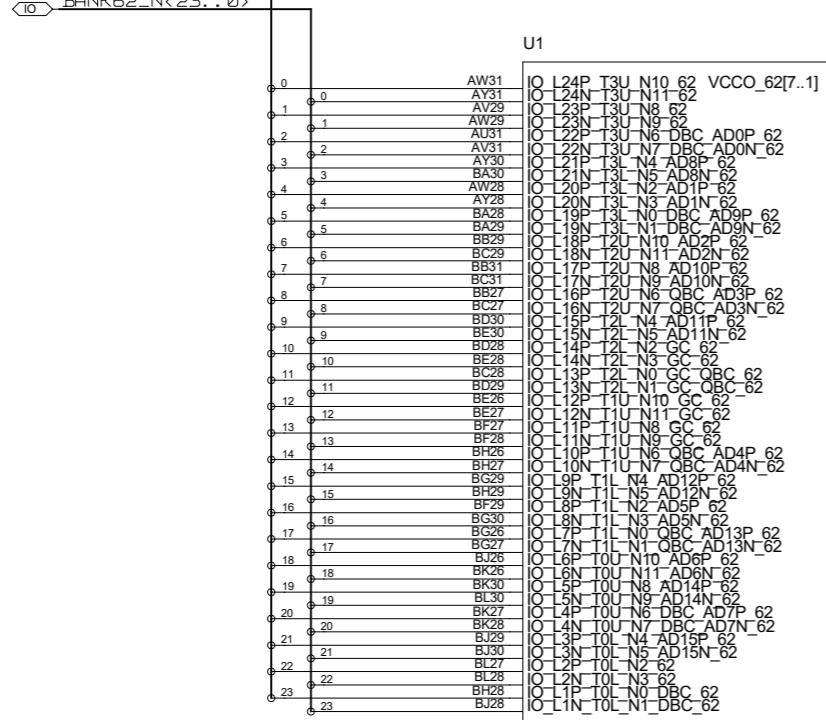
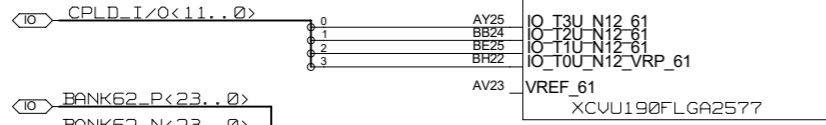
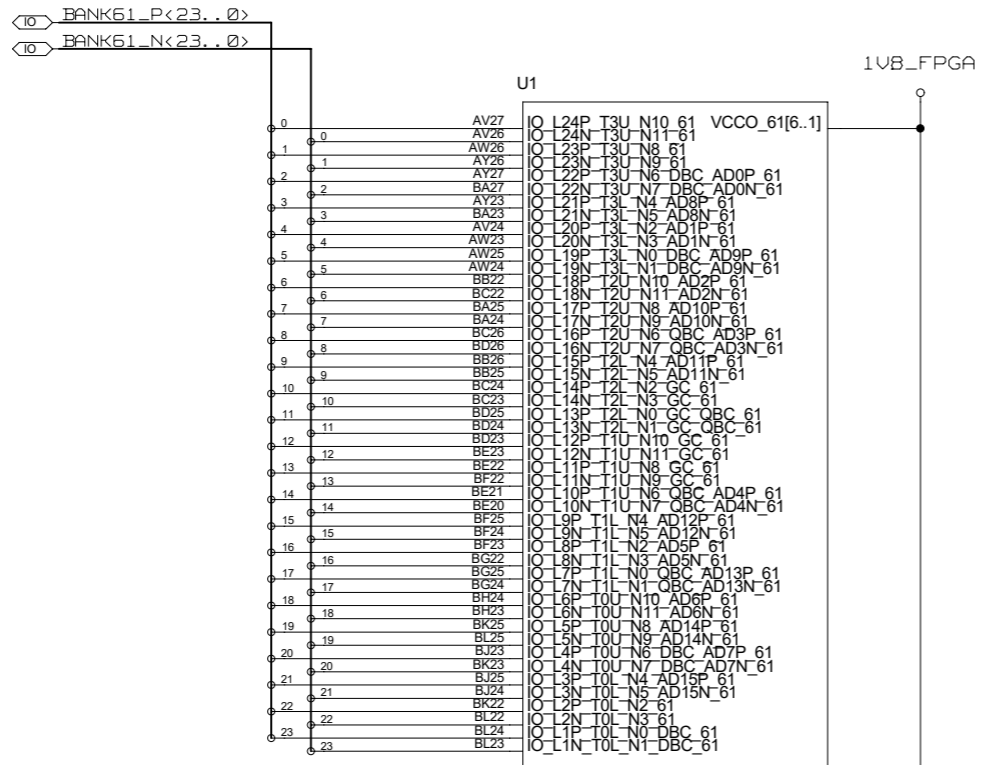
REVISIONS				
ZONE	LTR	DESCRIPTION	DATE	APPR.

# MEZZANINE POWER PINS



NAME	DATE	SIGN	DRAWING TITLE		
CHECKED J. V. DE SOUZA			JFEX		
CHECKED U. SCHAEFER					
CHECKED S. RAVE					
DRAWN BAUSS					
BLOCK TITLE					
UNIVERSITY OF MAINZ			SIZE <b>C</b>	REV.	DRAWING NO.
			SCALE		SHEET OF

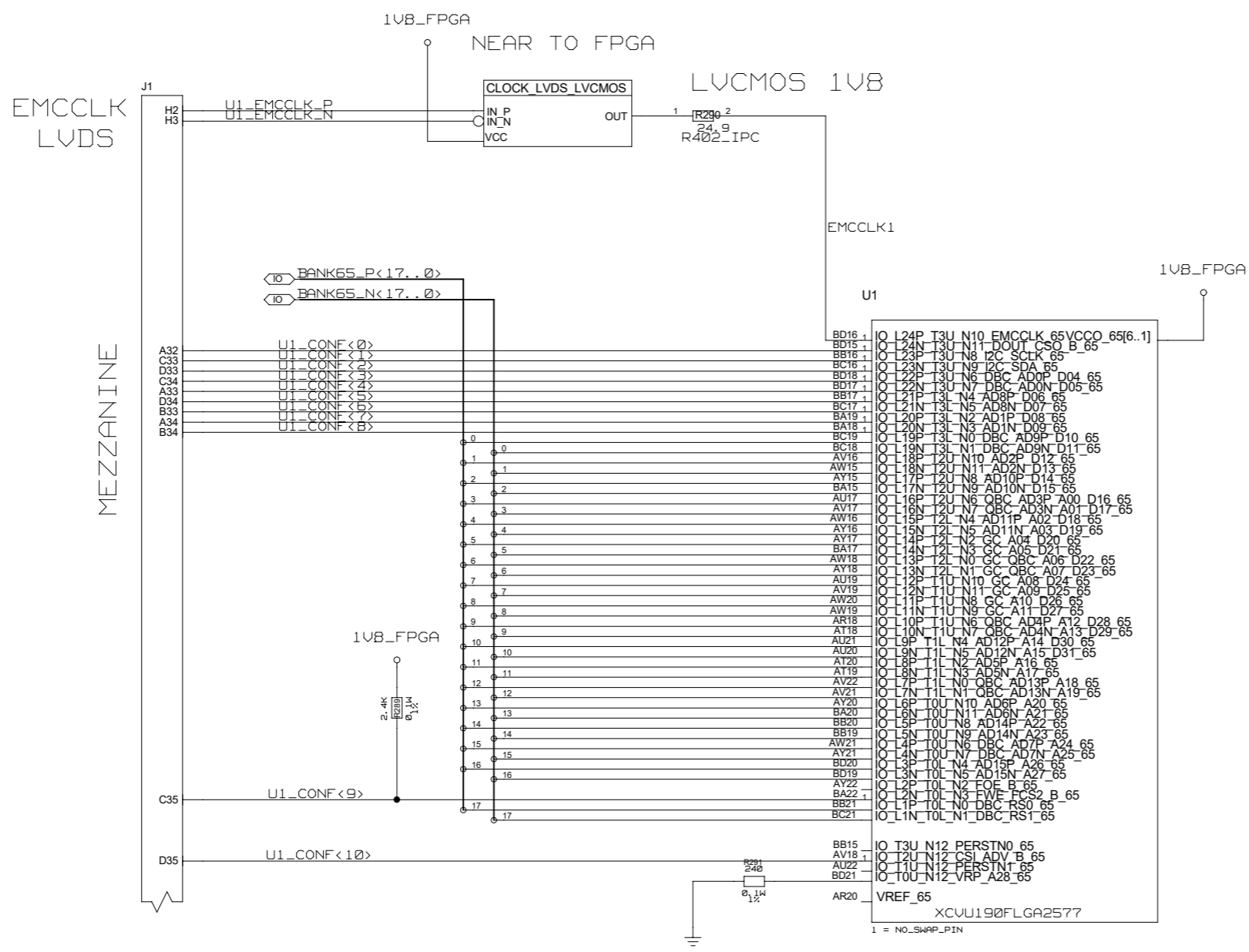
REVISIONS				
ZONE	LTR	DESCRIPTION	DATE	APPR.



BANK  
61  
62  
63

NAME	DATE	SIGN	DRAWING TITLE
CHECKED J. V. DE SOUZA			JFEX
CHECKED U. SCHAEFER			
CHECKED S. RAVE			
DRAWN BAUSS	25.08.2015		
BLOCK TITLE			
U1_PARALLEL_I/O			
UNIVERSITY OF MAINZ		SIZE <b>C</b>	REV.
SCALE		DRAWING NO.	
			SHEET 1 OF 5

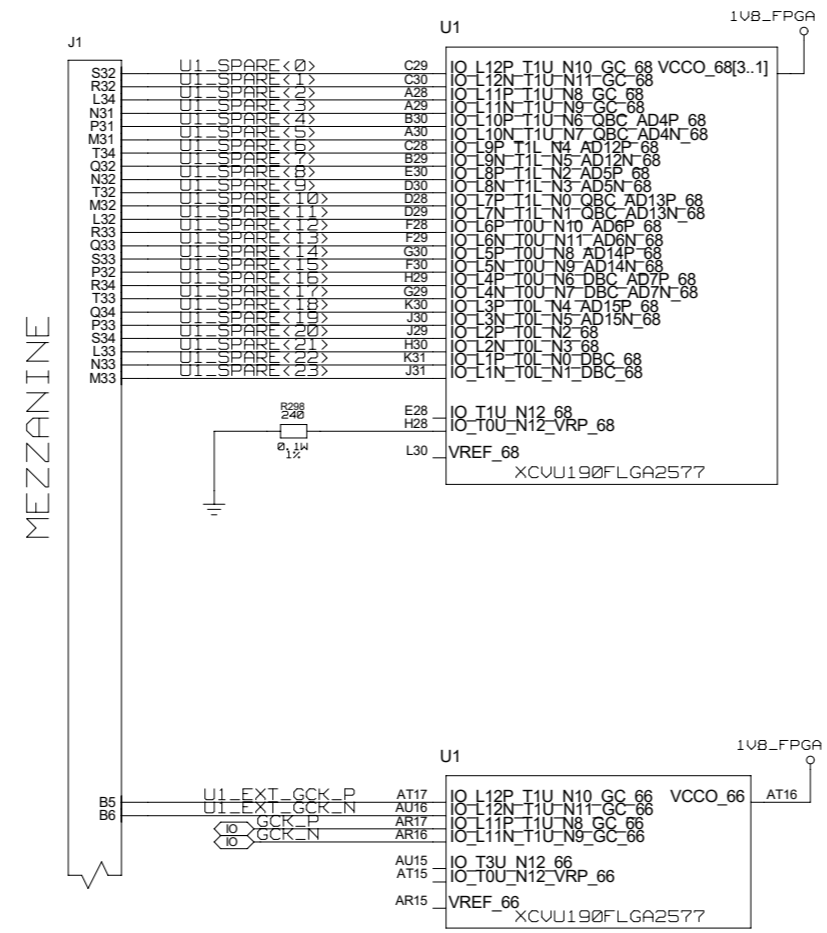
REVISIONS				
ZONE	LTR	DESCRIPTION	DATE	APPR.



BANK  
65

NAME	DATE	SIGN	DRAWING TITLE
CHECKED J.V.DE SOUZA			JFEX
CHECKED U.SCHAEFER			
CHECKED S.RAVE			
DRAWN BAUSS	25.08.2015		
BLOCK TITLE			
U1_PARALLEL_I/O			
UNIVERSITY OF MAINZ			
SIZE	REV.	DRAWING NO.	
C			
SCALE		SHEET 2 OF 5	

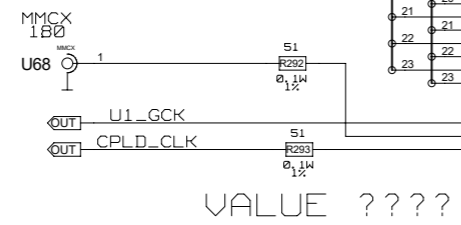
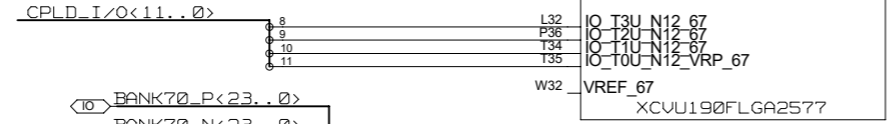
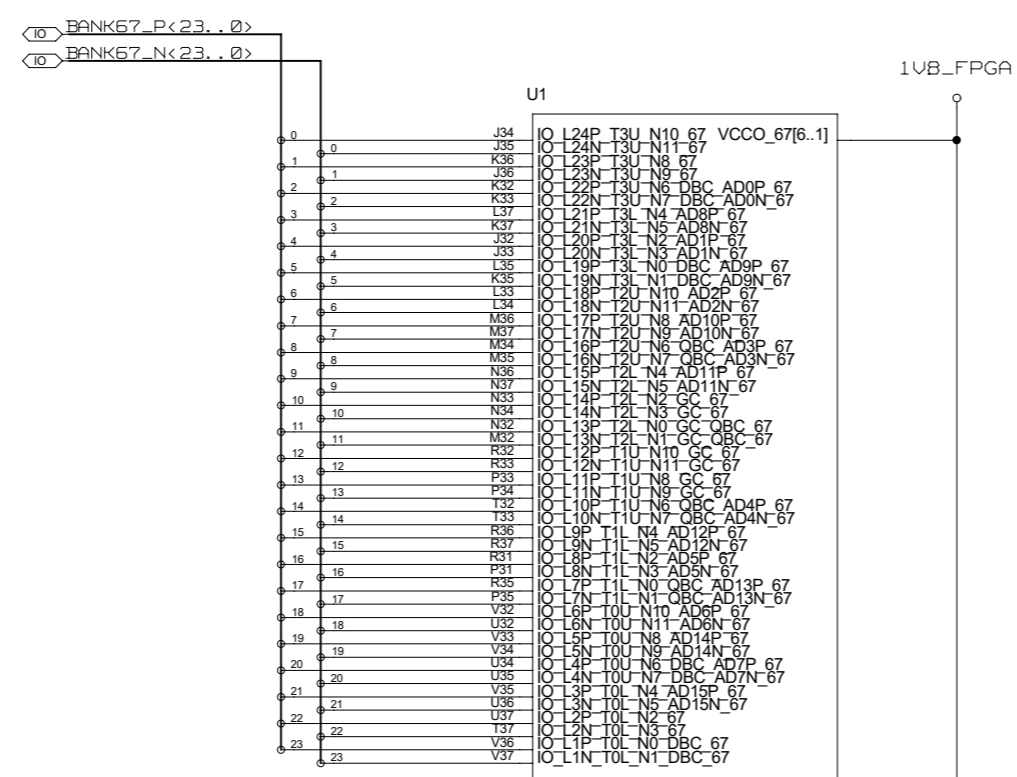
REVISIONS				
ZONE	LTR	DESCRIPTION	DATE	APPR.



BANK
66
68

NAME	DATE	SIGN	DRAWING TITLE
CHECKED J. V. DE SOUZA			JFEX
CHECKED U. SCHAEFER			
CHECKED S. RAVE			
DRAWN BAUSS	25. 08. 2015		
BLOCK TITLE			
U1_PARALLEL_I/O			
UNIVERSITY OF MAINZ			
SIZE	REV.	DRAWING NO.	
C			
SCALE		SHEET 3 OF 5	

REVISIONS				
ZONE	LTR	DESCRIPTION	DATE	APPR.

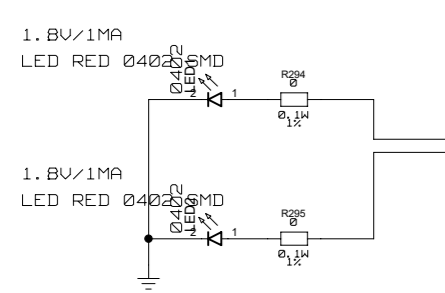
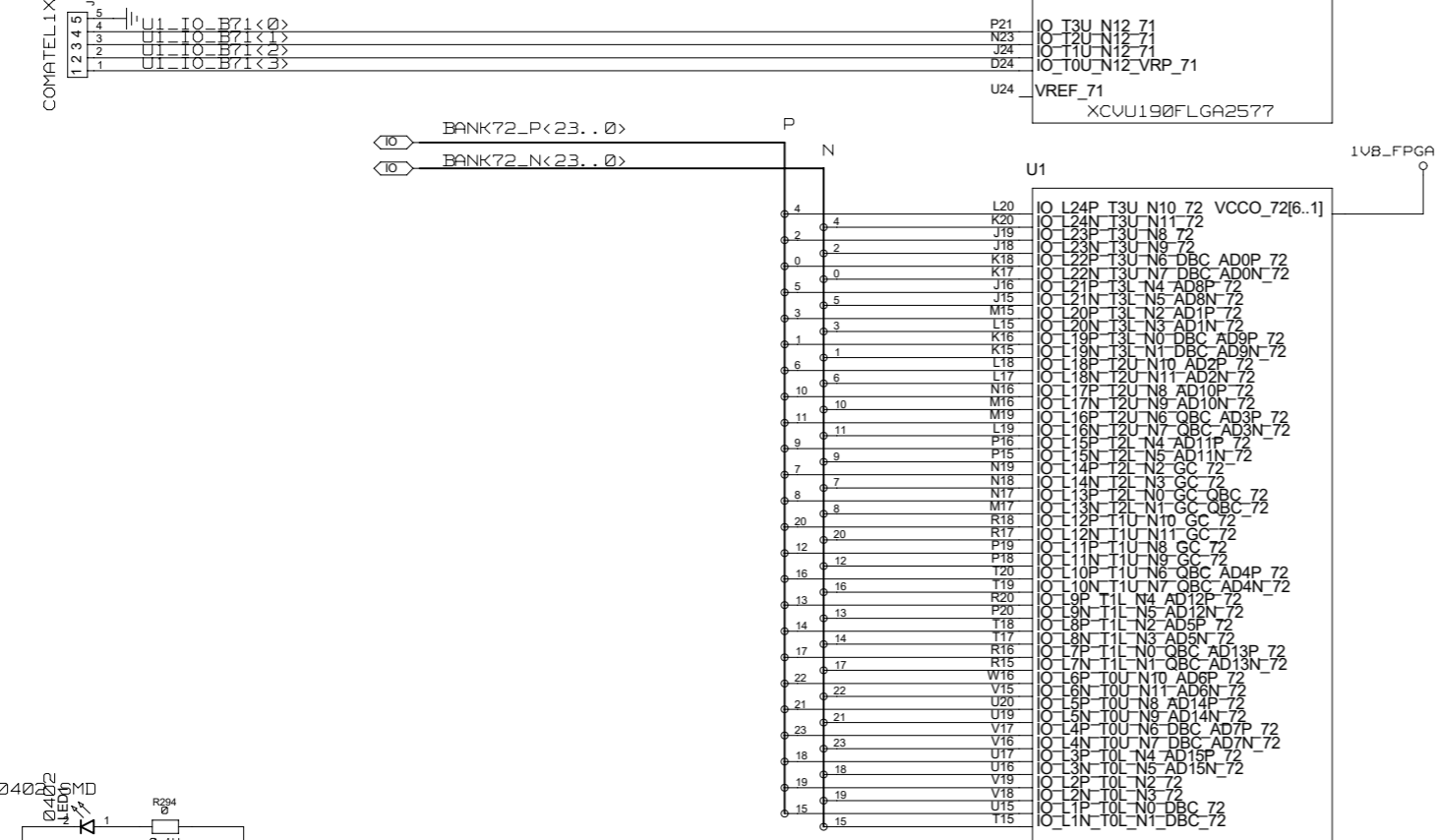
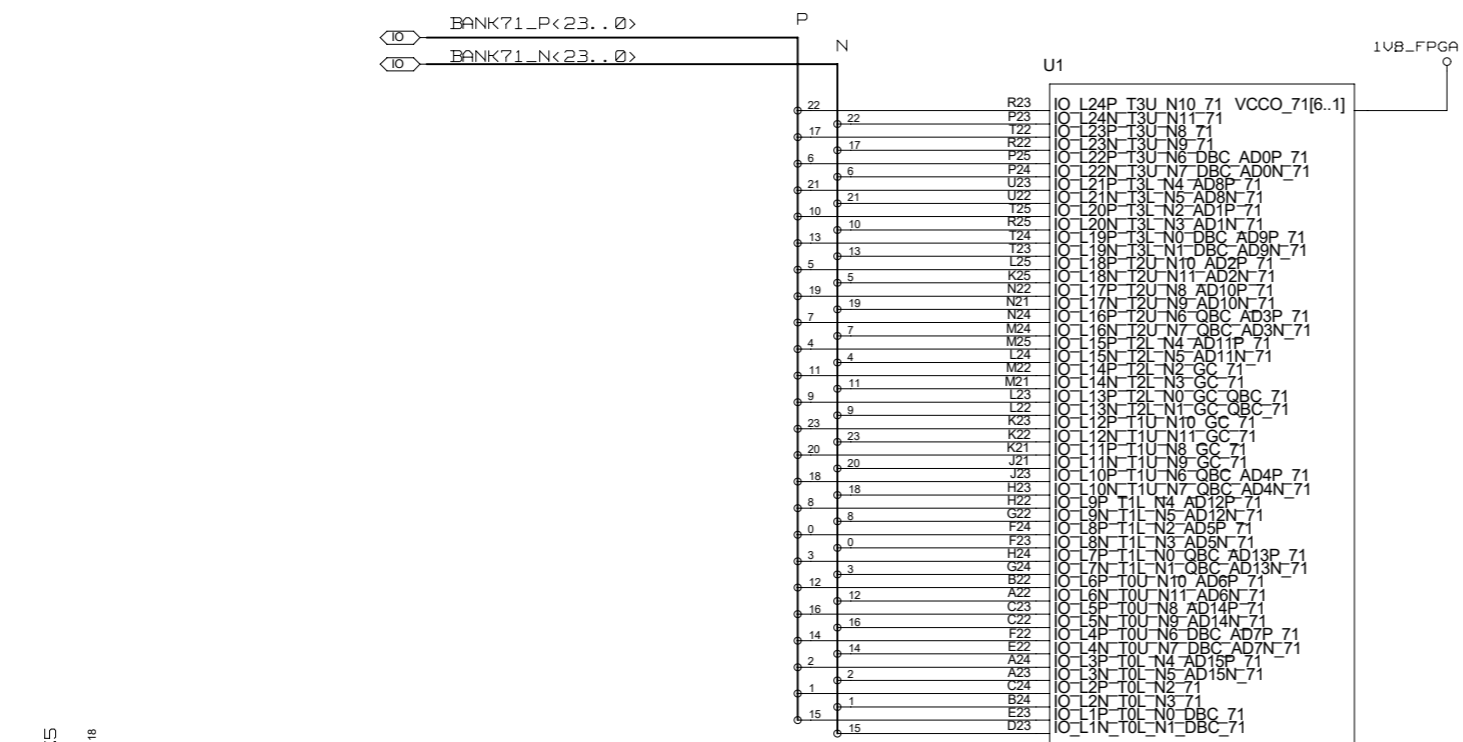


BANK  
67  
70

NAME	DATE	SIGN	DRAWING TITLE
CHECKED J.V. DE SOUZA			JFEX
CHECKED U.SCHAEFER			
CHECKED S.RAVE			
DRAWN BAUSS	25.08.2015		
BLOCK TITLE			
U1_PARALLEL_I/O			
UNIVERSITY OF MAINZ		SIZE <b>C</b>	REV.
		SCALE	DRAWING NO.
			SHEET 4 OF 5



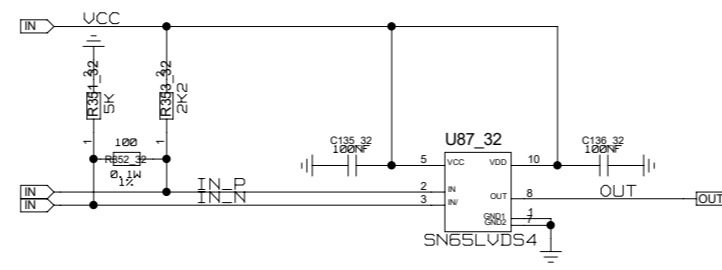
REVISIONS				
ZONE	LTR	DESCRIPTION	DATE	APPR.



BANK  
71  
72

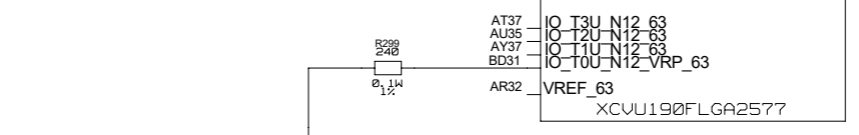
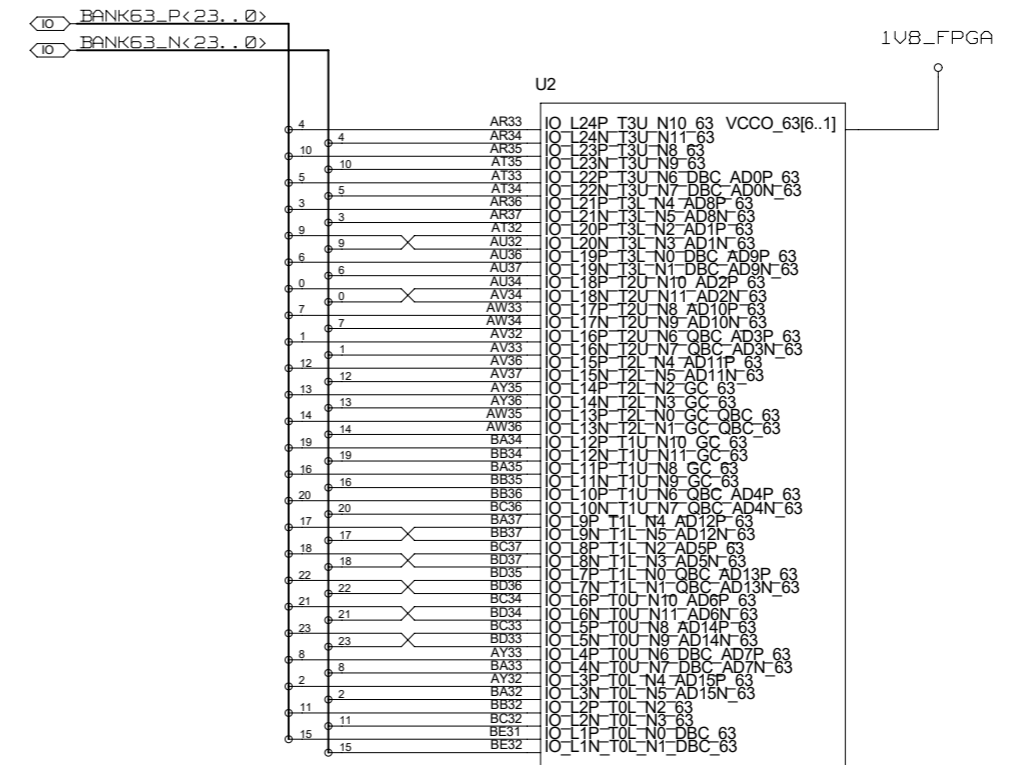
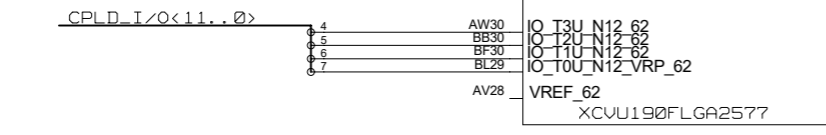
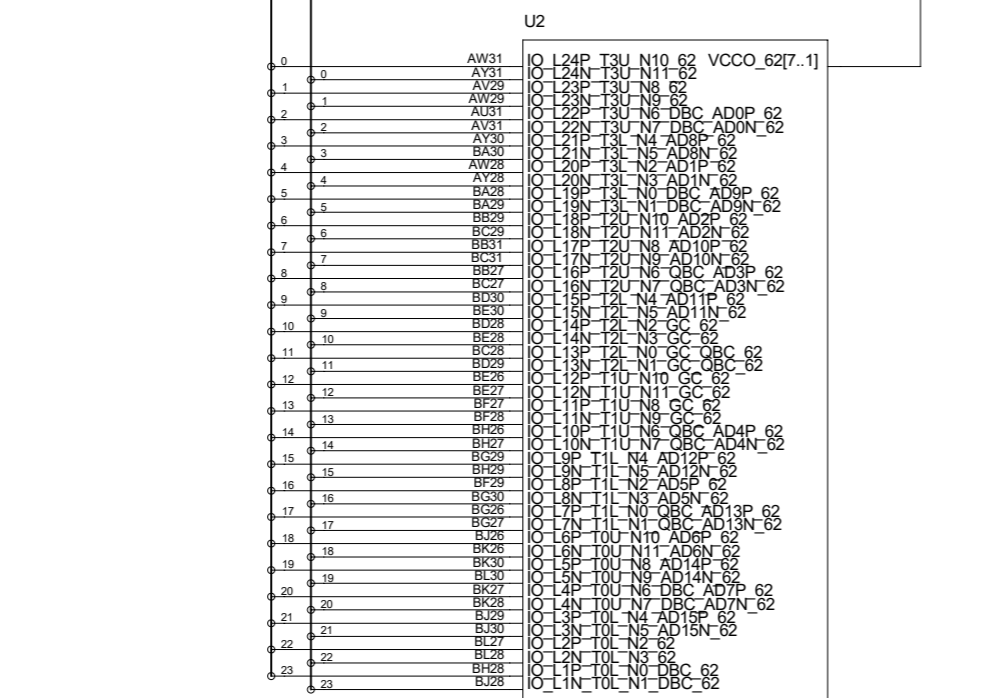
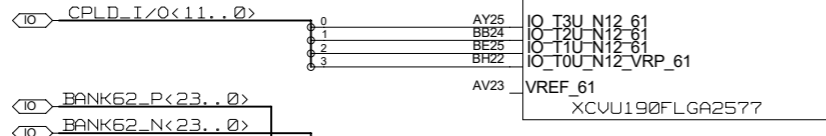
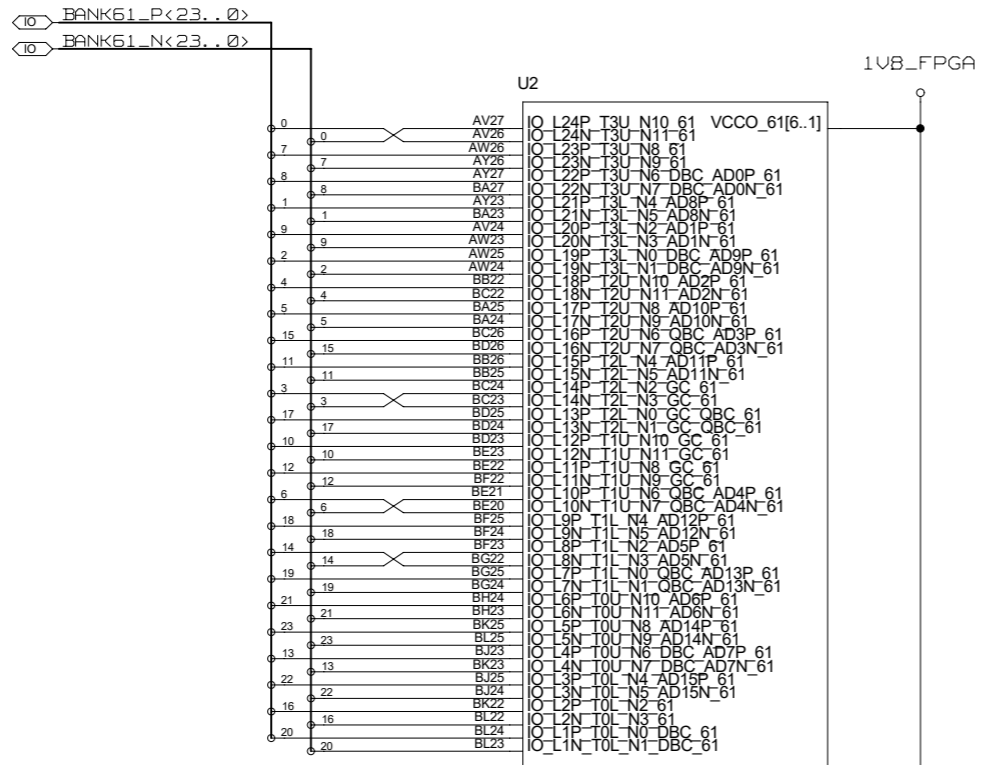
NAME	DATE	SIGN	DRAWING TITLE
CHECKED J. V. DE SOUZA			JFEX
CHECKED U. SCHAEFER			
CHECKED S. RAVE			
DRAWN BAUSS	25. 08. 2015		
BLOCK TITLE			
U1_PARALLEL_I/O			
UNIVERSITY OF MAINZ		SIZE <b>C</b>	REV.
		SCALE	DRAWING NO.
			SHEET 5 OF 5

REVISIONS				
ZONE	LTR	DESCRIPTION	DATE	APPR.



CHECKED	J. V. DE SOUZA			DRAWING TITLE  <b>JFEX</b>
CHECKED	U. SCHAEFER			
CHECKED	S. RAVE			
DRAWN	BAUSS			
BLOCK TITLE <b>CLOCK_LVDS_LVCMOS</b>				
<b>UNIVERSITY OF MAINZ</b>		SIZE <b>C</b>	REV.	DRAWING NO.
SCALE				SHEET OF

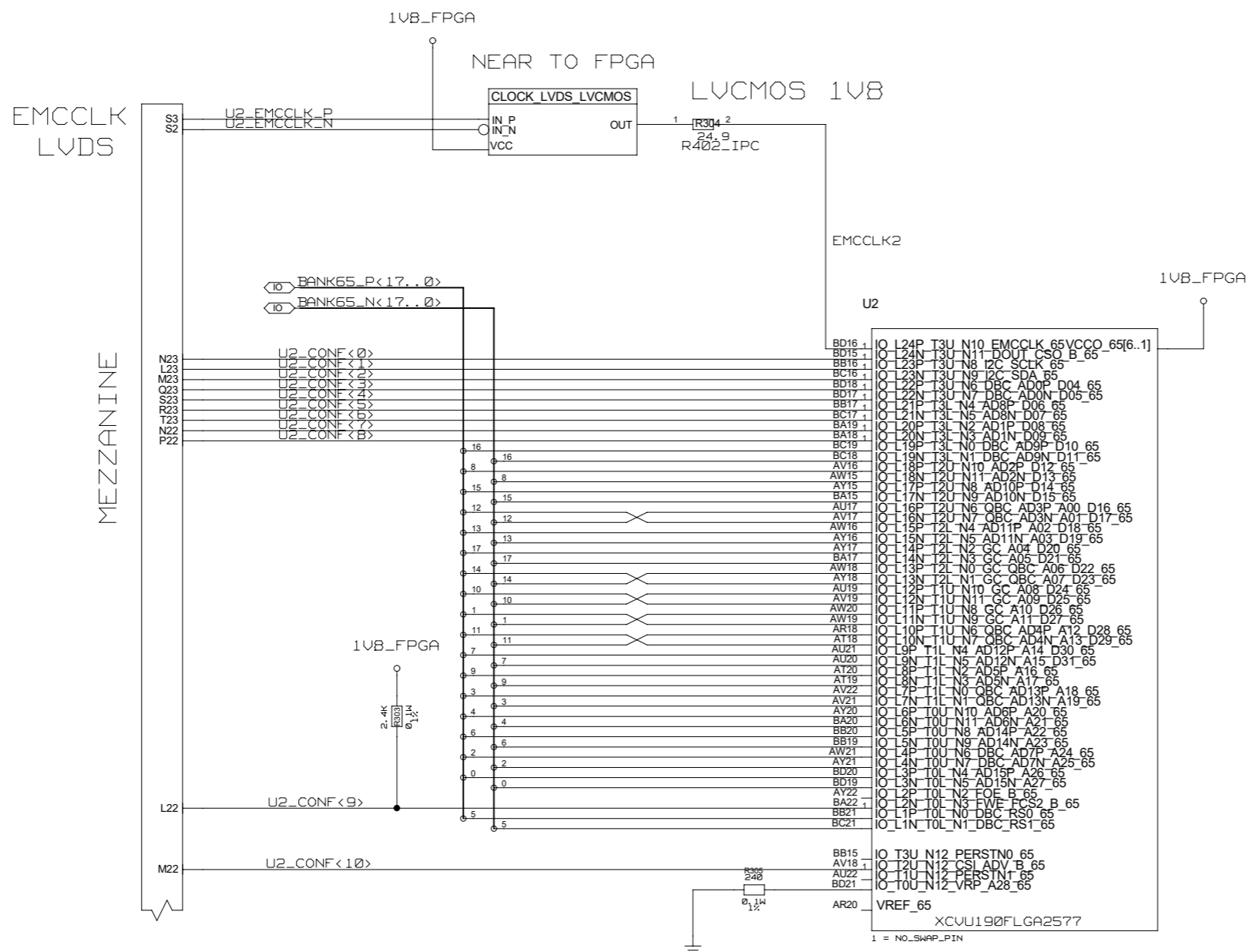
REVISIONS				
ZONE	LTR	DESCRIPTION	DATE	APPR.



BANK  
61  
62  
63

CHECKED	J. V. DE SOUZA	DATE	SIGN	DRAWING TITLE <b>JFEX</b>
CHECKED	U. SCHAEFER			
CHECKED	S. RAVE			
DRAWN	BAUSS	25.08.2015		
BLOCK TITLE U2_PARALLEL_I/O				SIZE <b>C</b>
UNIVERSITY OF MAINZ				REV.
SCALE				DRAWING NO.
				SHEET 1 OF 5

REVISIONS				
ZONE	LTR	DESCRIPTION	DATE	APPR.

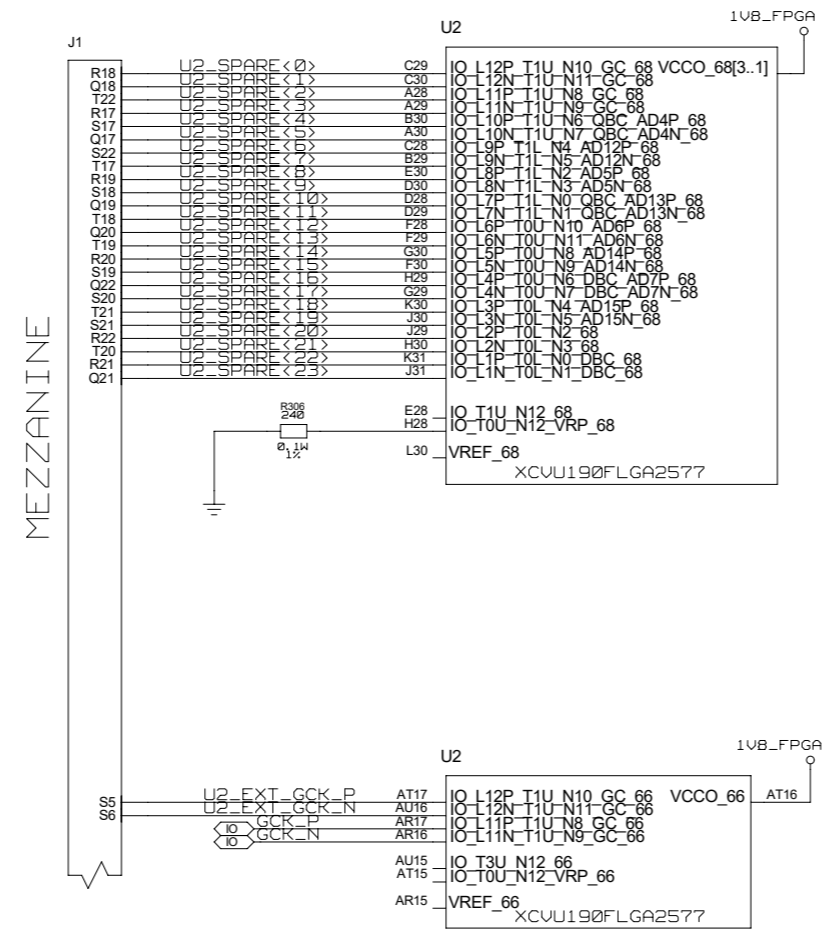


MEZZANINE

BANK  
65

NAME	DATE	SIGN	DRAWING TITLE
CHECKED J. V. DE SOUZA			JFEX
CHECKED U.SCHAEFER			
CHECKED S.RAVE			
DRAWN BAUSS	25.08.2015		
BLOCK TITLE			
U2_PARALLEL_I/O			
UNIVERSITY OF MAINZ			
SIZE	REV.	DRAWING NO.	
C			
SCALE		SHEET 2 OF 5	

REVISIONS				
ZONE	LTR	DESCRIPTION	DATE	APPR.



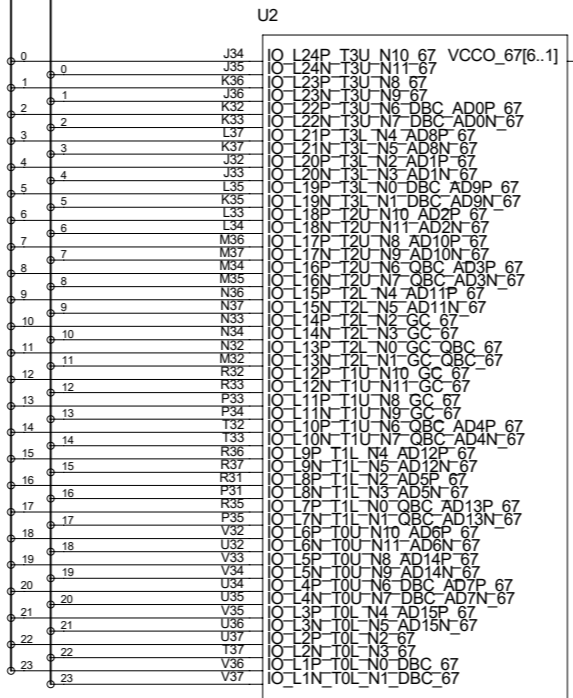
BANK
66
68

CHECKED	J. V. DE SOUZA			DRAWING TITLE <b>JFEX</b>
CHECKED	U. SCHAEFER			
CHECKED	S. RAVE			
DRAWN	BAUSS	25. 08. 2015		
BLOCK TITLE U2_PARALLEL_I/O				SIZE <b>C</b>
UNIVERSITY OF MAINZ				REV.
SCALE				DRAWING NO.
				SHEET 3 OF 5

REVISIONS				
ZONE	LTR	DESCRIPTION	DATE	APPR.

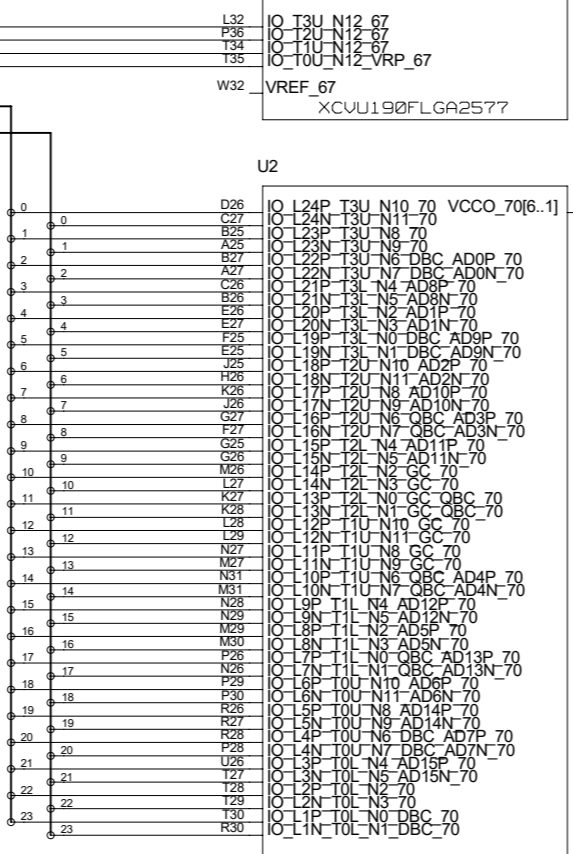
BANK67\_P<23..0>  
BANK67\_N<23..0>

1UB\_FPGA



CPLD\_I/O<11..0>

BANK70\_P<23..0>  
BANK70\_N<23..0>



MMCX  
180  
U74

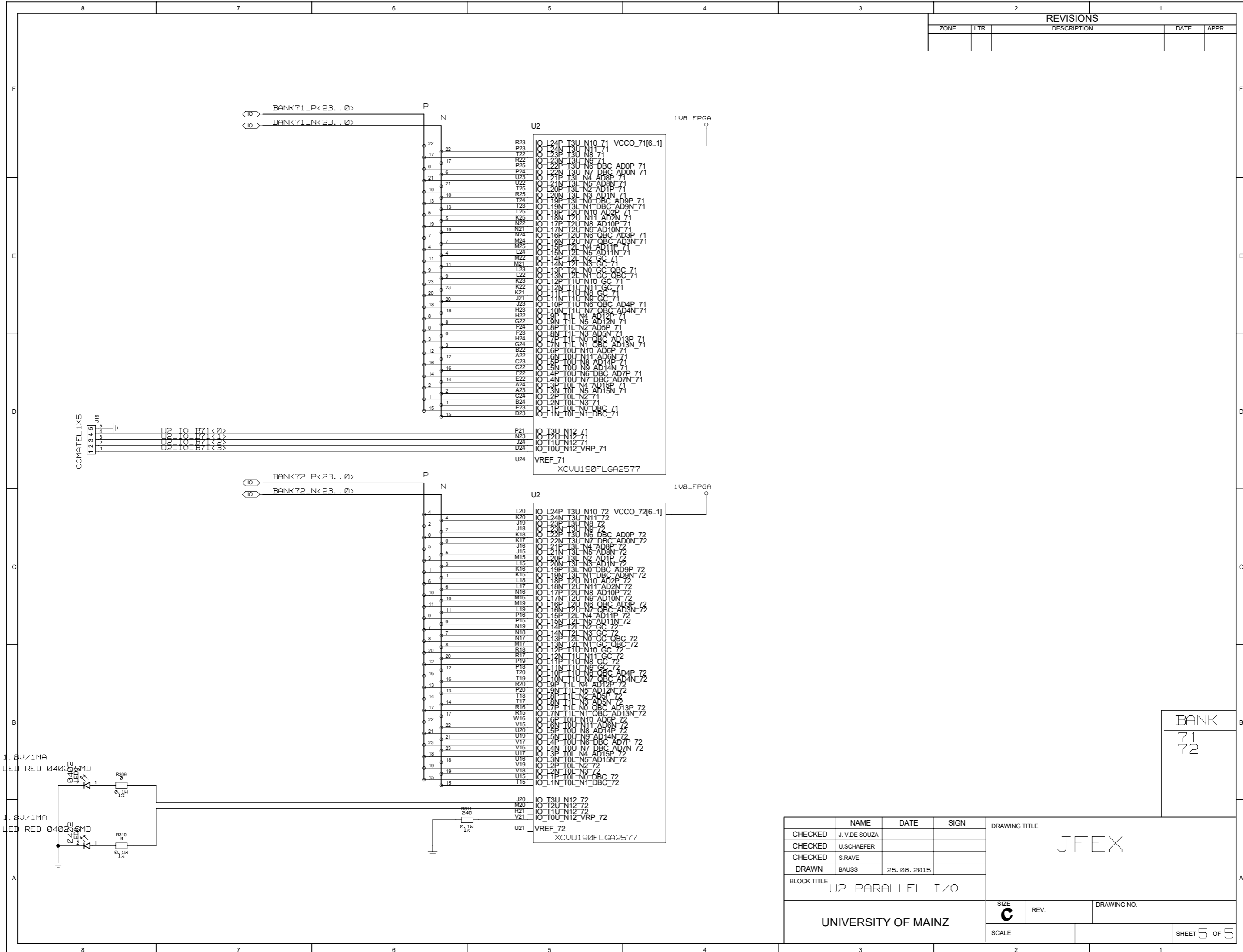
CPLD\_CLK

VALUE ????

BANK  
67  
70

CHECKED	J.V.DE SOUZA			DRAWING TITLE <b>JFEX</b>
CHECKED	U.SCHAEFER			
CHECKED	S.RAVE			
DRAWN	BAUSS	25.08.2015		
BLOCK TITLE U2_PARALLEL_I/O				
UNIVERSITY OF MAINZ		SIZE <b>C</b>	REV.	DRAWING NO.
		SCALE		SHEET 4 OF 5

REVISIONS				
ZONE	LTR	DESCRIPTION	DATE	APPR.



BANK71\_P<23..0>  
 BANK71\_N<23..0>

BANK72\_P<23..0>  
 BANK72\_N<23..0>

COMATELIX5

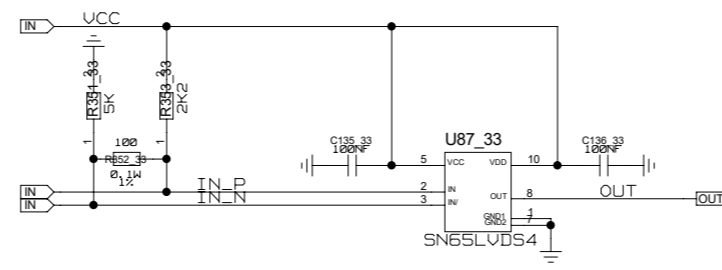
1.8V/1mA  
 LED RED 0402

1.8V/1mA  
 LED RED 0402

BANK  
 71  
 72

NAME	DATE	SIGN	DRAWING TITLE
CHECKED J.V.DE SOUZA			JFEX
CHECKED U.SCHAEFER			
CHECKED S.RAVE			
DRAWN BAUSS	25.08.2015		
BLOCK TITLE			
U2_PARALLEL_I/O			
UNIVERSITY OF MAINZ		SIZE <b>C</b>	DRAWING NO.
SCALE			SHEET 5 OF 5

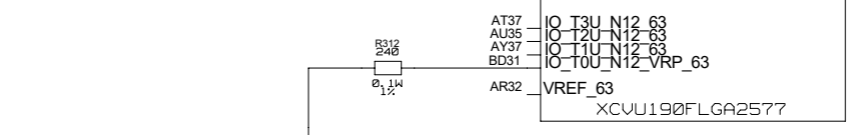
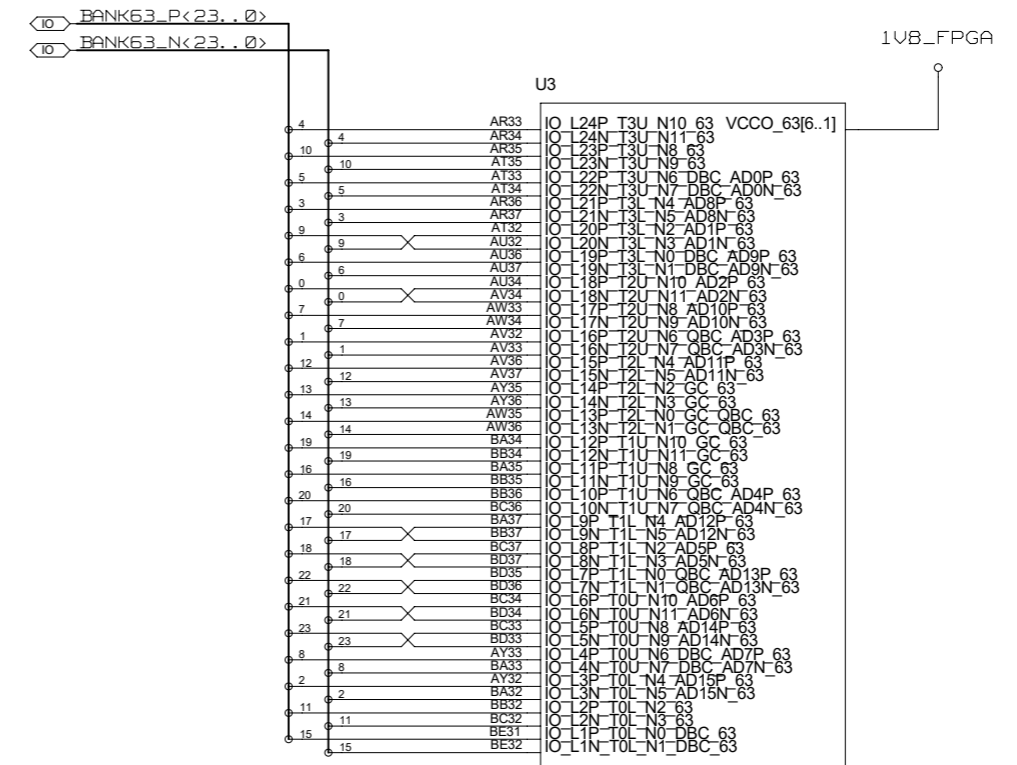
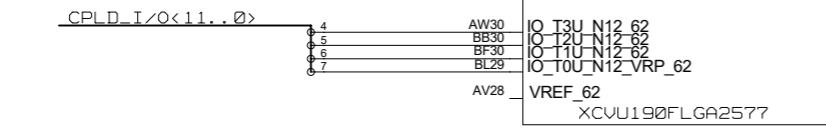
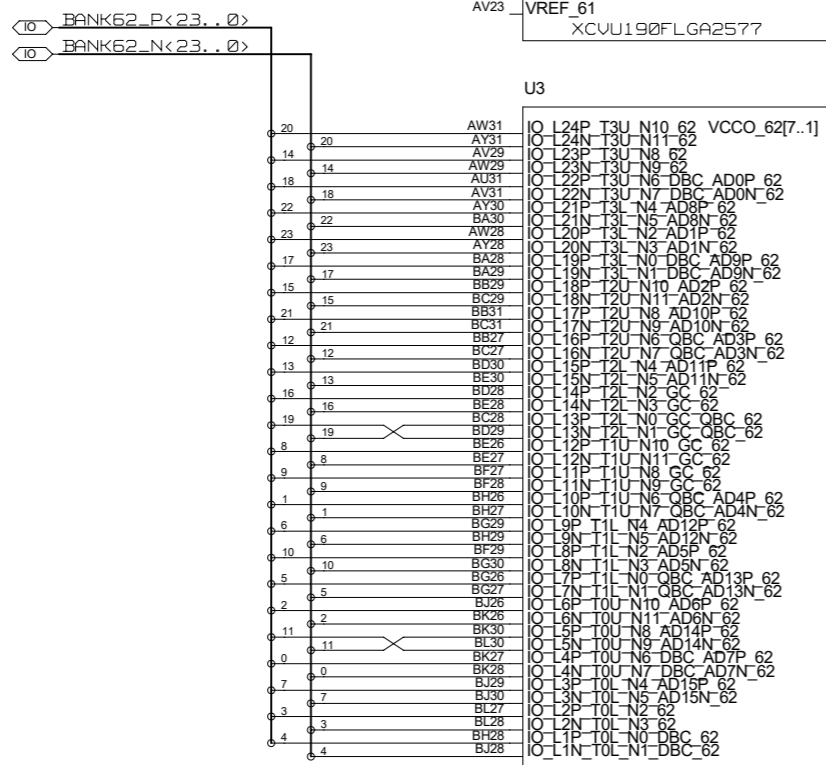
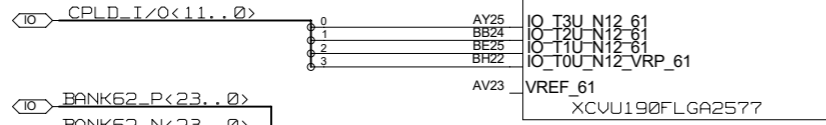
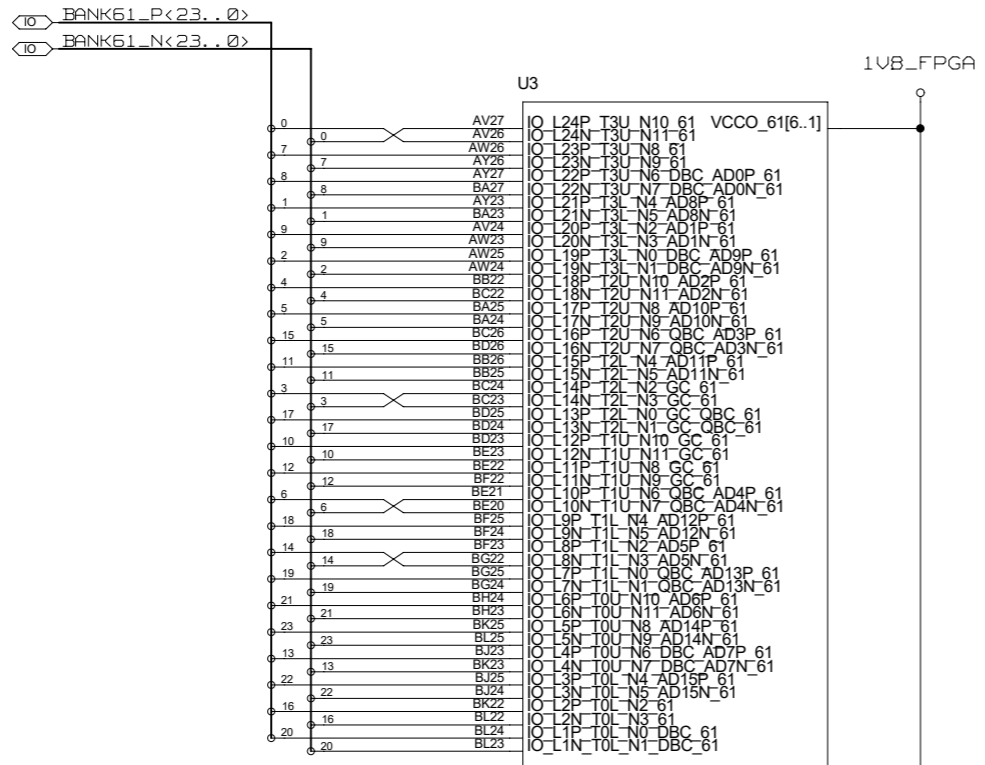
REVISIONS				
ZONE	LTR	DESCRIPTION	DATE	APPR.



CHECKED	J. V. DE SOUZA			DRAWING TITLE  <b>JFEX</b>
CHECKED	U. SCHAEFER			
CHECKED	S. RAVE			
DRAWN	BAUSS			
BLOCK TITLE <b>CLOCK_LVDS_LVCMOS</b>				
<b>UNIVERSITY OF MAINZ</b>		SIZE <b>C</b>	REV.	DRAWING NO.
SCALE				SHEET OF



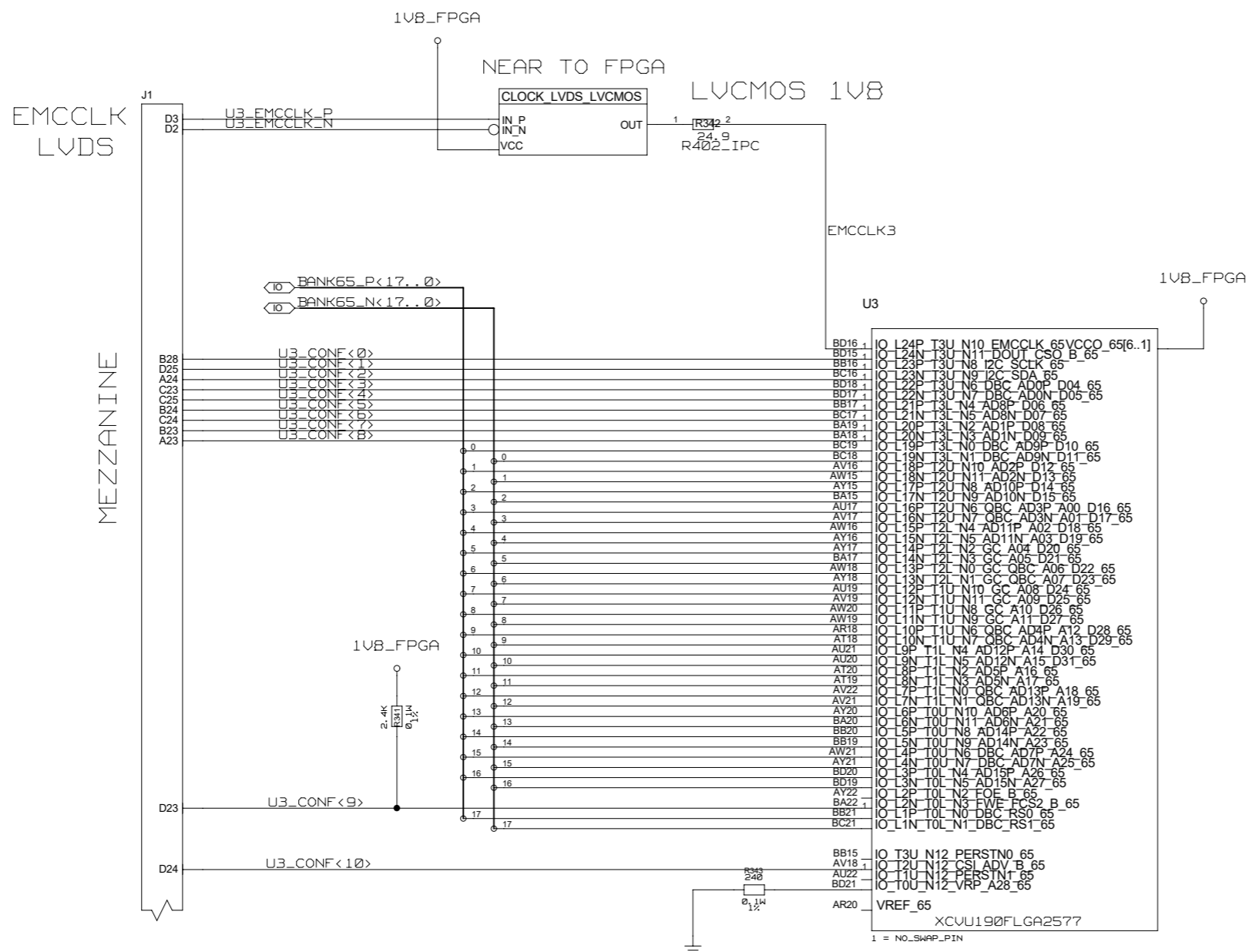
REVISIONS				
ZONE	LTR	DESCRIPTION	DATE	APPR.



BANK  
61  
62  
63

NAME	DATE	SIGN	DRAWING TITLE	
CHECKED	J.V.DE SOUZA		JFEX	
CHECKED	U.SCHAEFER			
CHECKED	S.RAVE			
DRAWN	BAUSS	25.08.2015	BLOCK TITLE	
			U3_PARALLEL_I/O	
UNIVERSITY OF MAINZ			SIZE <b>C</b>	REV.
			SCALE	DRAWING NO.
			SHEET 1 OF 5	

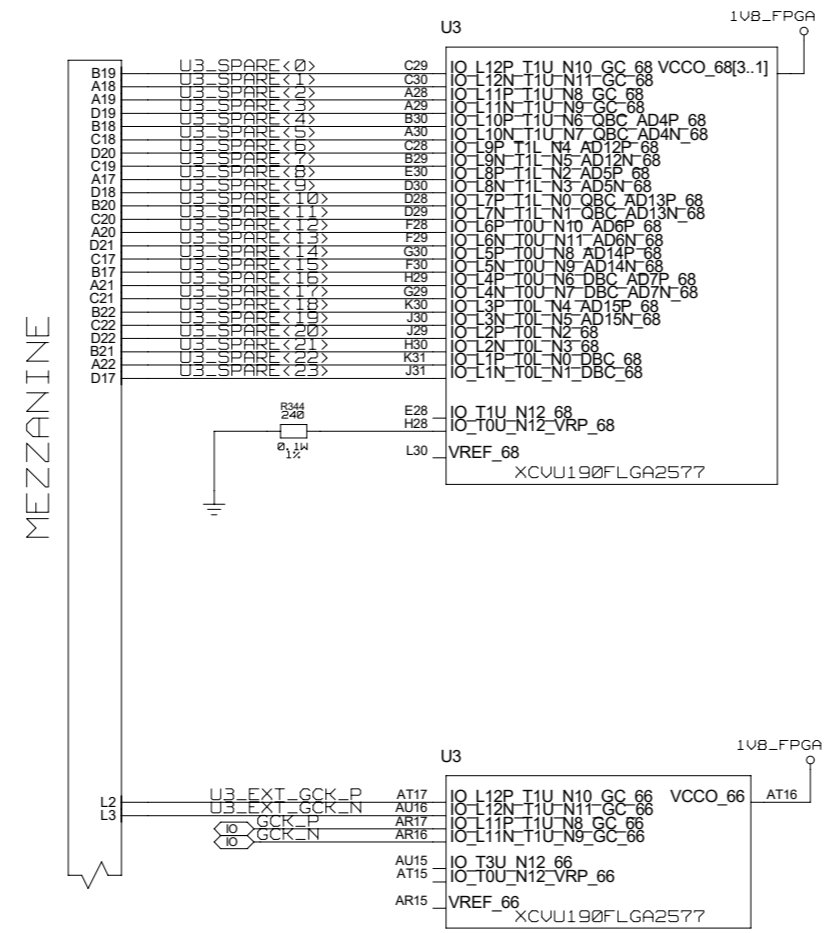
REVISIONS				
ZONE	LTR	DESCRIPTION	DATE	APPR.



BANK  
65

NAME	DATE	SIGN	DRAWING TITLE
CHECKED J. V. DE SOUZA			JFEX
CHECKED U.SCHAEFER			
CHECKED S.RAVE			
DRAWN BAUSS	25.08.2015		
BLOCK TITLE			SIZE
U3_PARALLEL_I/O			REV.
UNIVERSITY OF MAINZ			DRAWING NO.
SCALE			SHEET 2 OF 5

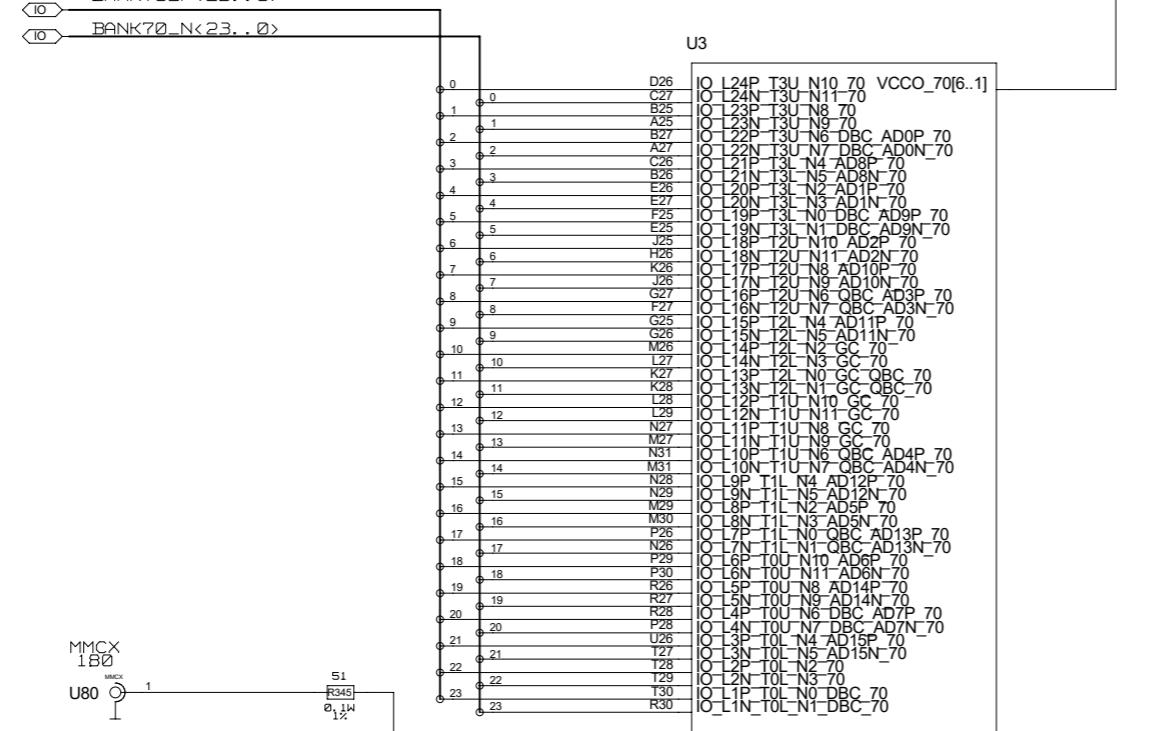
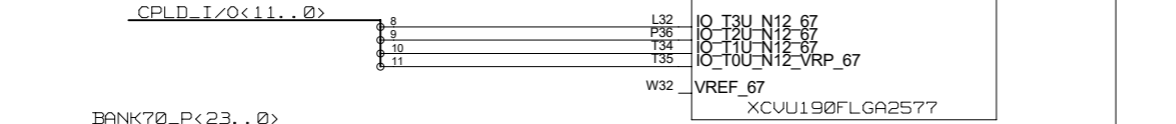
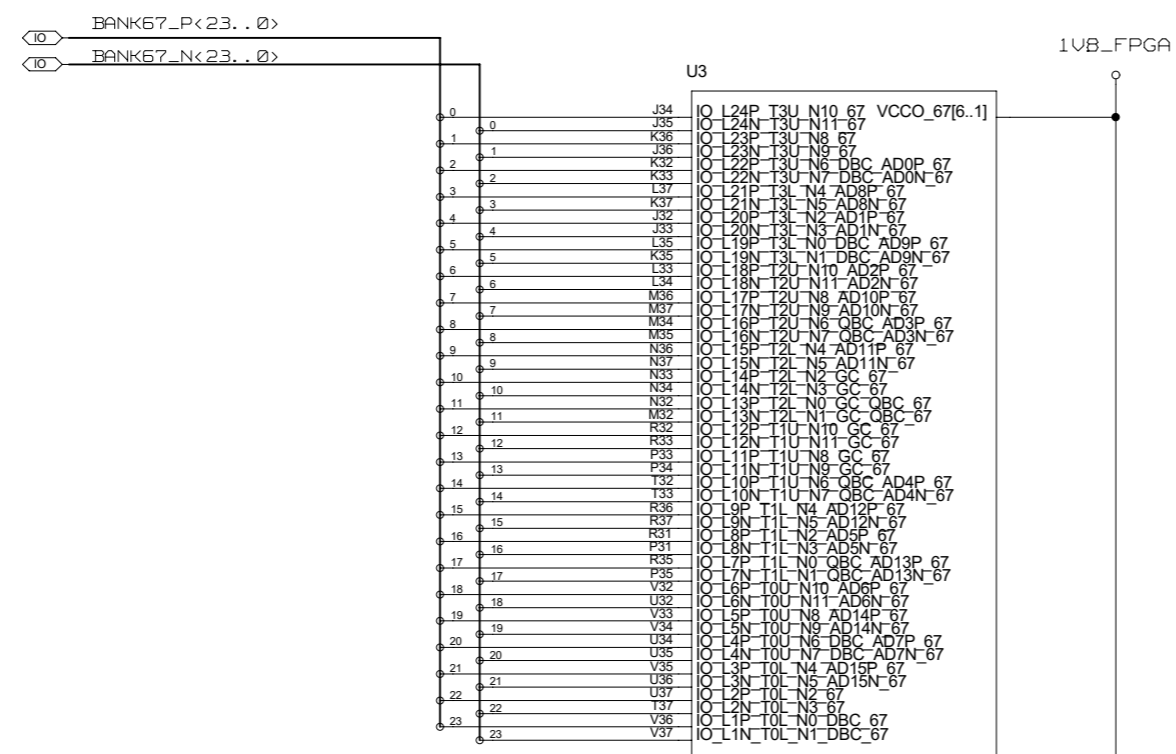
REVISIONS				
ZONE	LTR	DESCRIPTION	DATE	APPR.



BANK
66
68

NAME	DATE	SIGN	DRAWING TITLE
CHECKED J. V. DE SOUZA			JFEX
CHECKED U. SCHAEFER			
CHECKED S. RAVE			
DRAWN BAUSS	25. 08. 2015		
BLOCK TITLE			
U3_PARALLEL_I/O			
UNIVERSITY OF MAINZ			
SIZE	REV.	DRAWING NO.	
C			
SCALE		SHEET 3 OF 5	

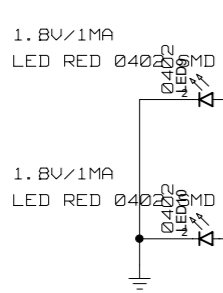
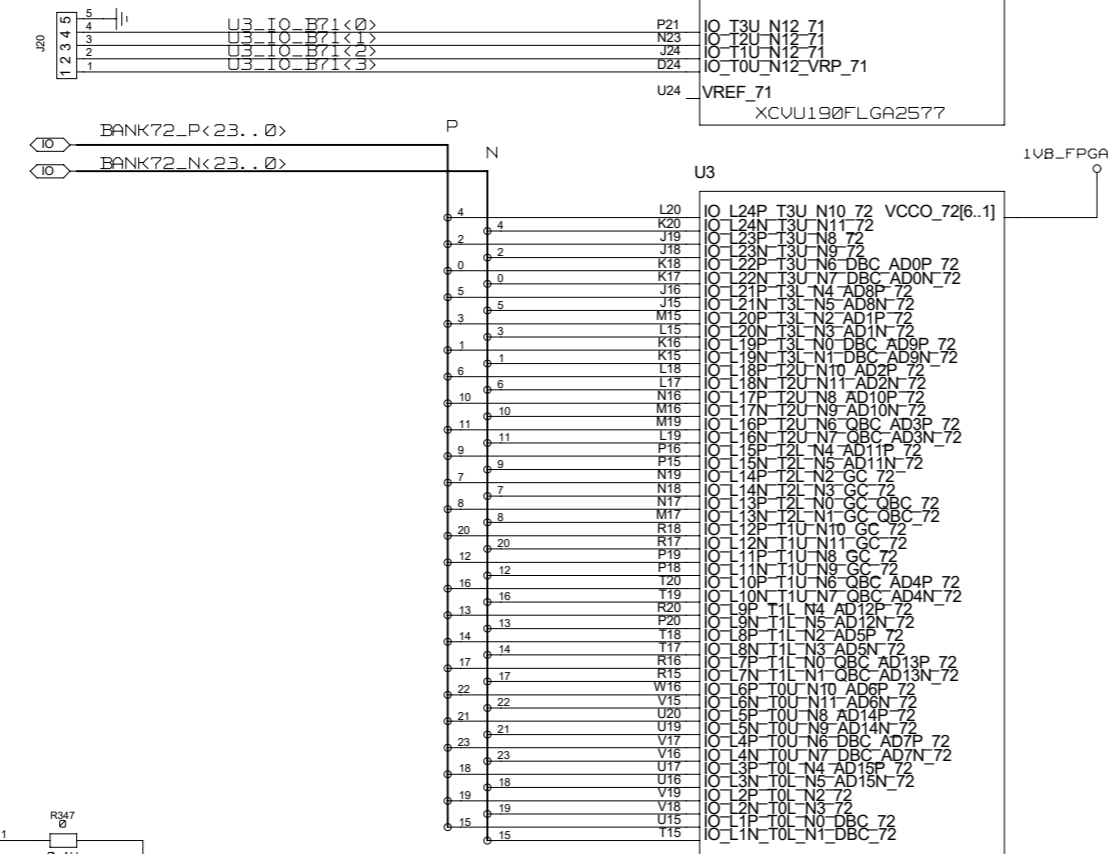
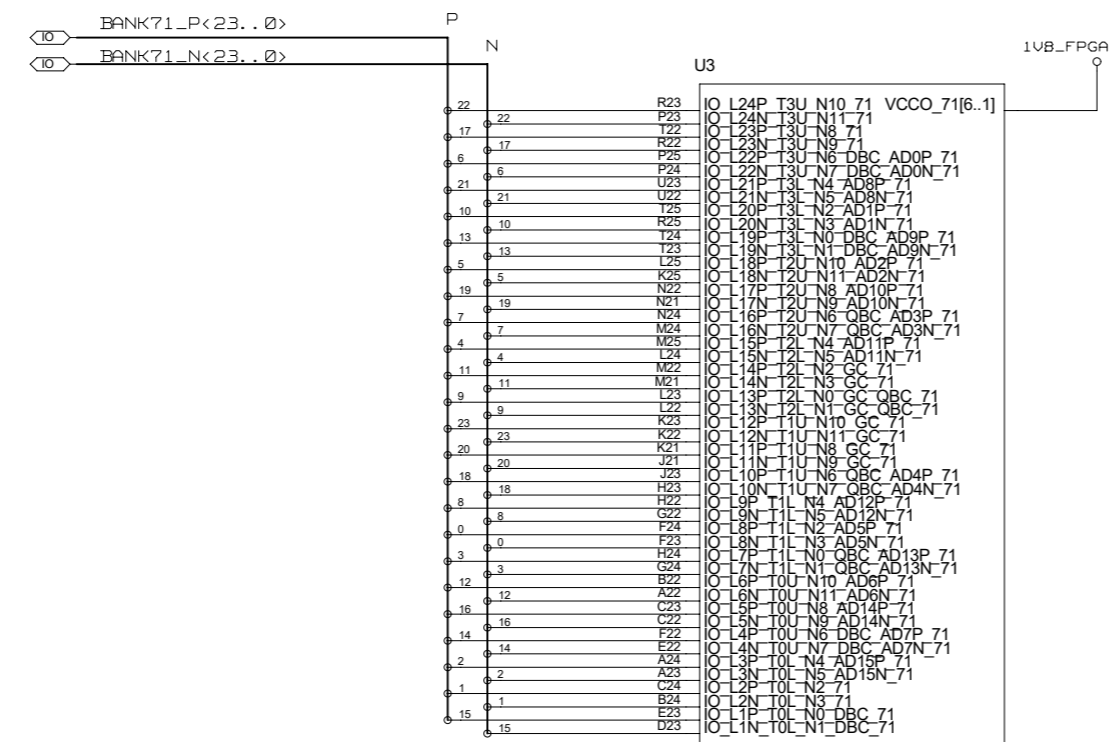
REVISIONS				
ZONE	LTR	DESCRIPTION	DATE	APPR.



BANK  
67  
70

NAME	DATE	SIGN	DRAWING TITLE
CHECKED J.V.DE SOUZA			JFEX
CHECKED U.SCHAEFER			
CHECKED S.RAVE			
DRAWN BAUSS	25.08.2015		
BLOCK TITLE			
U3_PARALLEL_I/O			
UNIVERSITY OF MAINZ		SIZE <b>C</b>	REV.
		SCALE	DRAWING NO.
			SHEET 4 OF 5

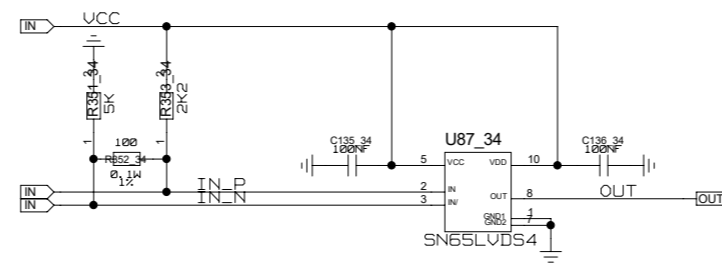
REVISIONS				
ZONE	LTR	DESCRIPTION	DATE	APPR.



BANK  
71  
72

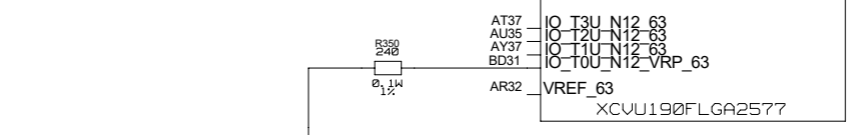
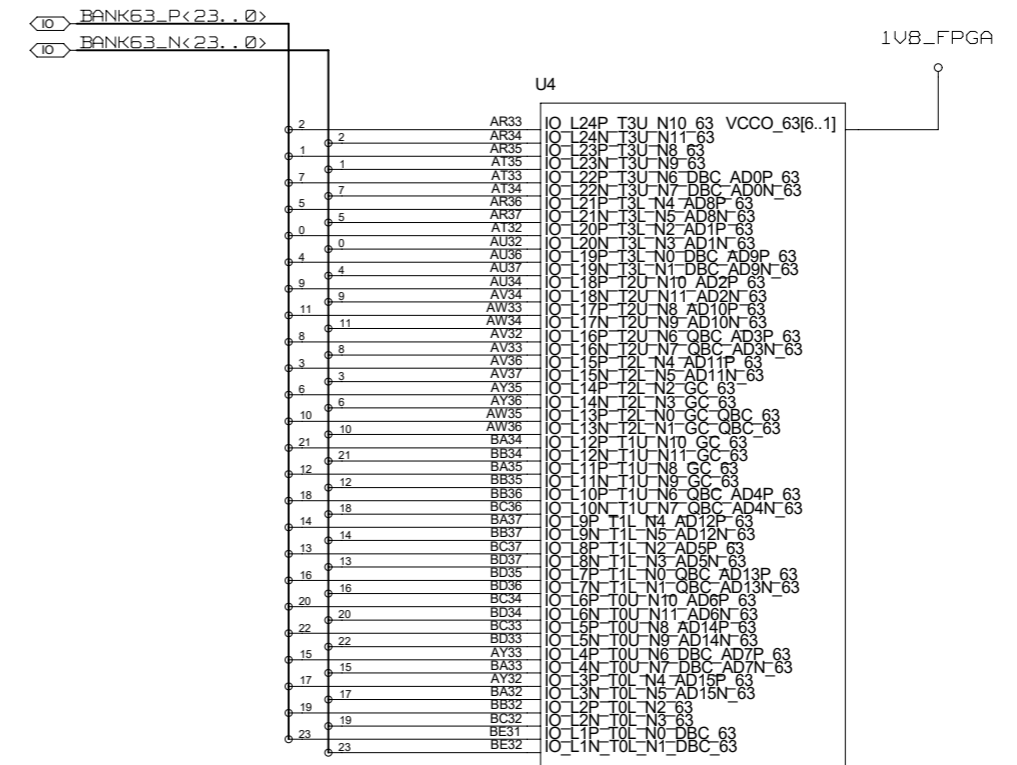
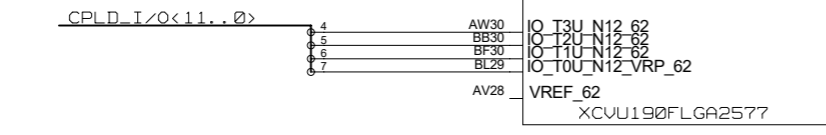
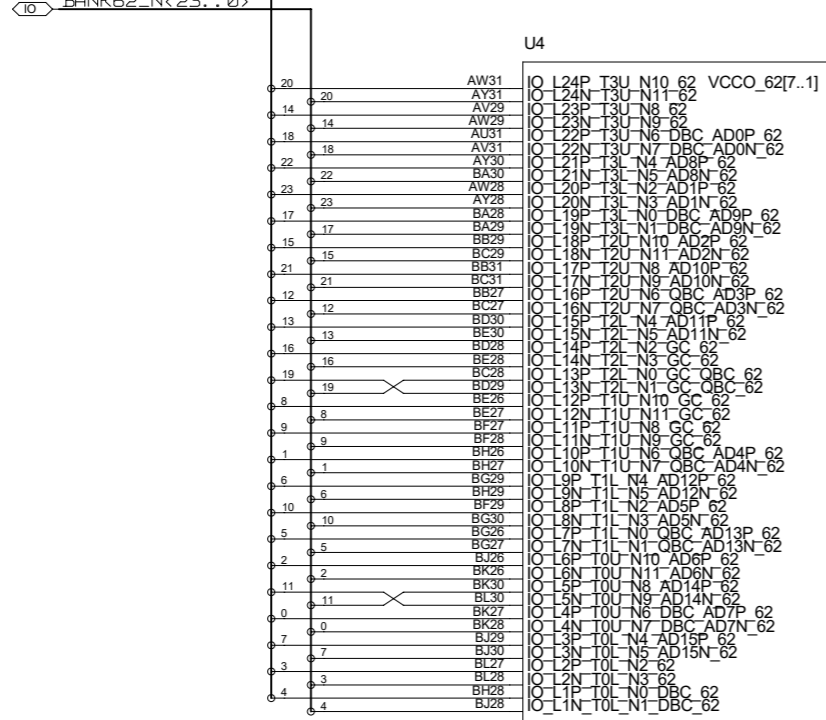
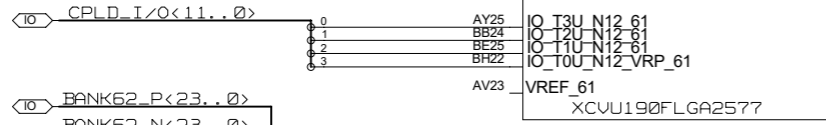
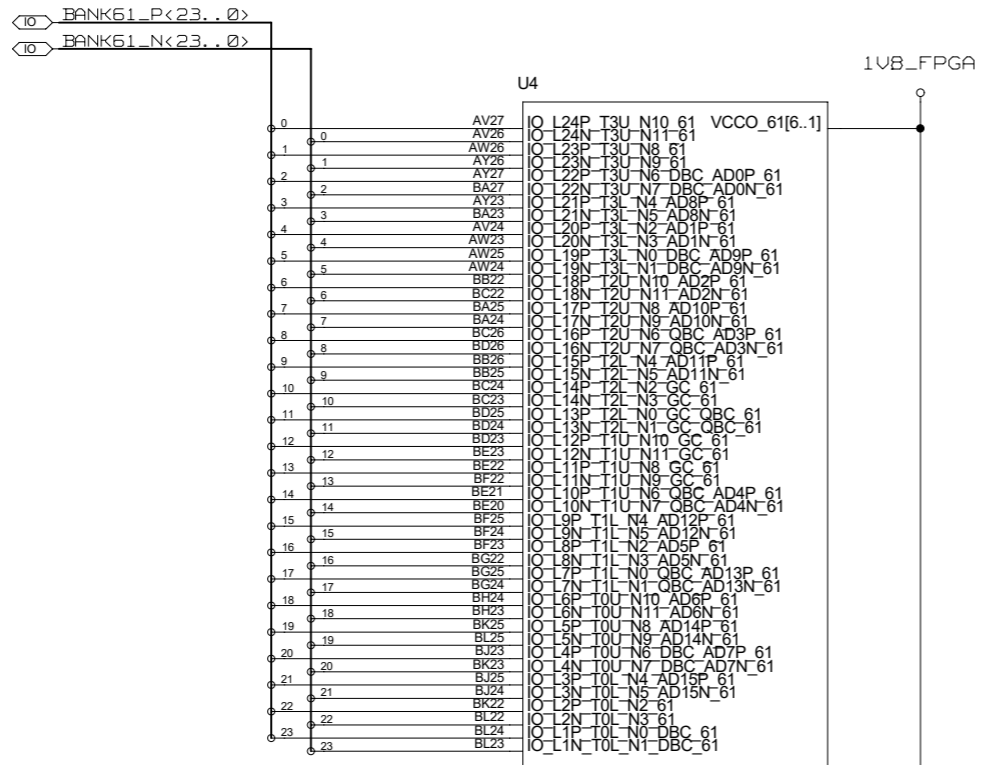
NAME	DATE	SIGN	DRAWING TITLE
CHECKED J.V. DE SOUZA			JFEX
CHECKED U.SCHAEFER			
CHECKED S.RAVE			
DRAWN BAUSS	25.08.2015		
BLOCK TITLE			
U3_PARALLEL_I/O			
UNIVERSITY OF MAINZ		SIZE <b>C</b>	DRAWING NO.
SCALE		REV.	SHEET 5 OF 5

REVISIONS				
ZONE	LTR	DESCRIPTION	DATE	APPR.



CHECKED	J. V. DE SOUZA			DRAWING TITLE  <b>JFEX</b>
CHECKED	U. SCHAEFER			
CHECKED	S. RAVE			
DRAWN	BAUSS			
BLOCK TITLE <b>CLOCK_LVDS_LVCMOS</b>				
<b>UNIVERSITY OF MAINZ</b>		SIZE <b>C</b>	REV.	DRAWING NO.
SCALE		SHEET		OF

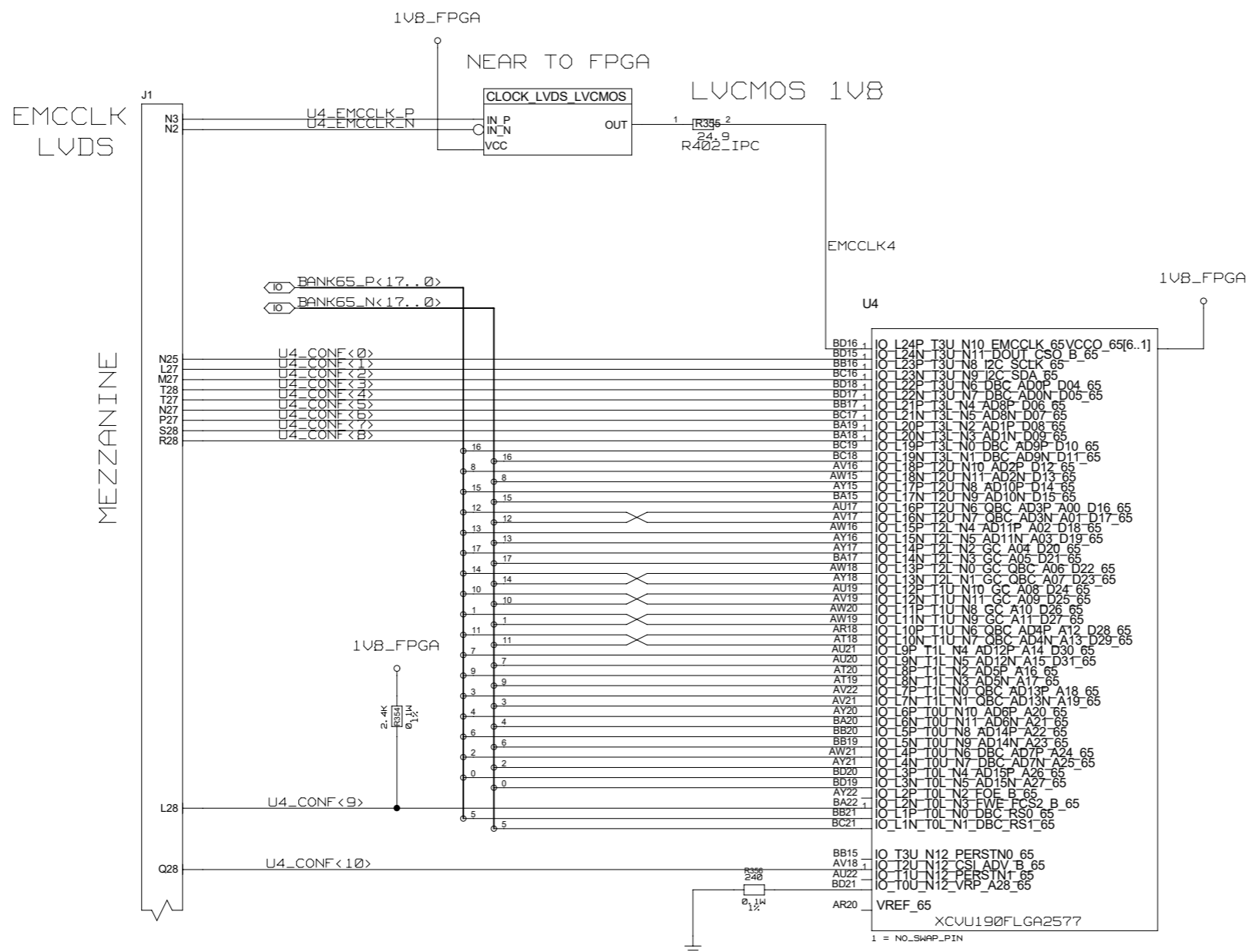
REVISIONS				
ZONE	LTR	DESCRIPTION	DATE	APPR.



BANK  
61  
62  
63

CHECKED	J.V.DE SOUZA			DRAWING TITLE <b>JFEX</b>
CHECKED	U.SCHAEFER			
CHECKED	S.RAVE			
DRAWN	BAUSS	25.08.2015		
BLOCK TITLE U4_PARALLEL_I/O				
UNIVERSITY OF MAINZ		SIZE <b>C</b>	REV.	DRAWING NO.
		SCALE		SHEET 1 OF 5

REVISIONS				
ZONE	LTR	DESCRIPTION	DATE	APPR.

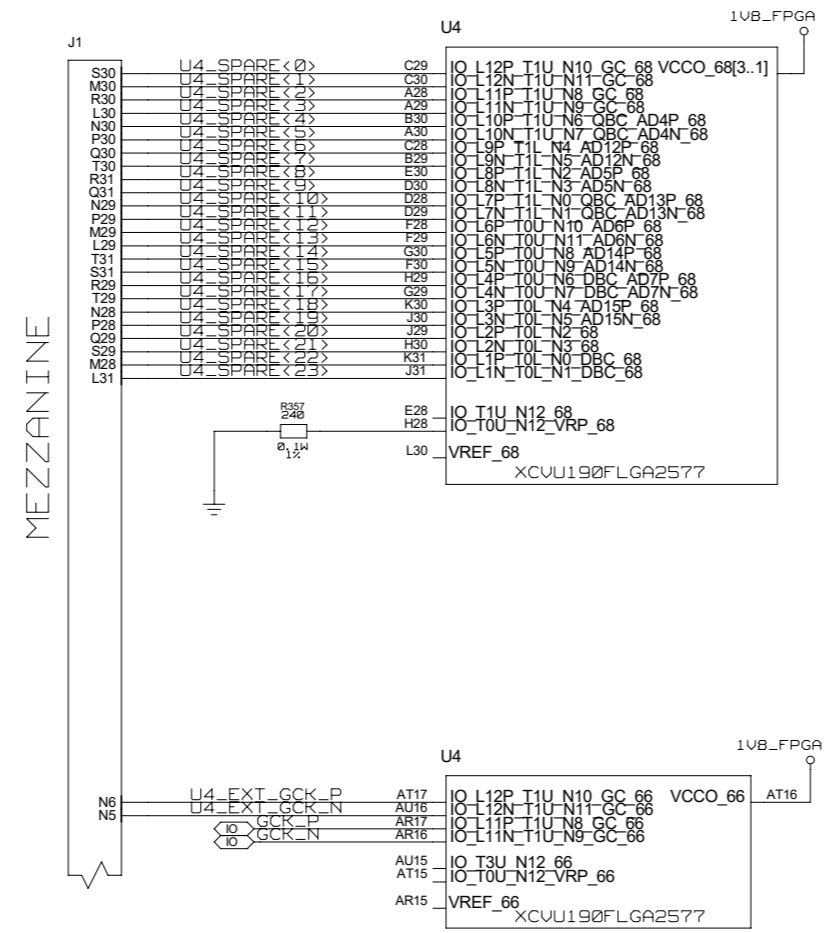


BANK  
65

NAME	DATE	SIGN	DRAWING TITLE
CHECKED J.V. DE SOUZA			JFEX
CHECKED U.SCHAEFER			
CHECKED S.RAVE			
DRAWN BAUSS	25.08.2015		
BLOCK TITLE			SIZE
U4_PARALLEL_I/O			REV.
UNIVERSITY OF MAINZ			DRAWING NO.
SCALE			SHEET 2 OF 5



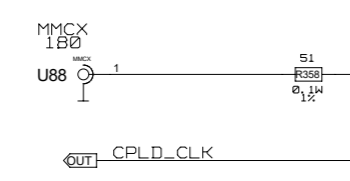
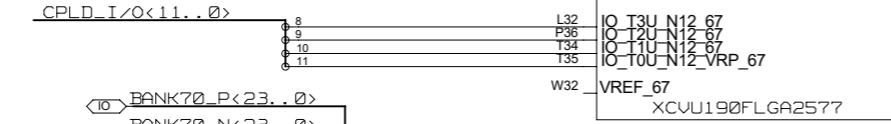
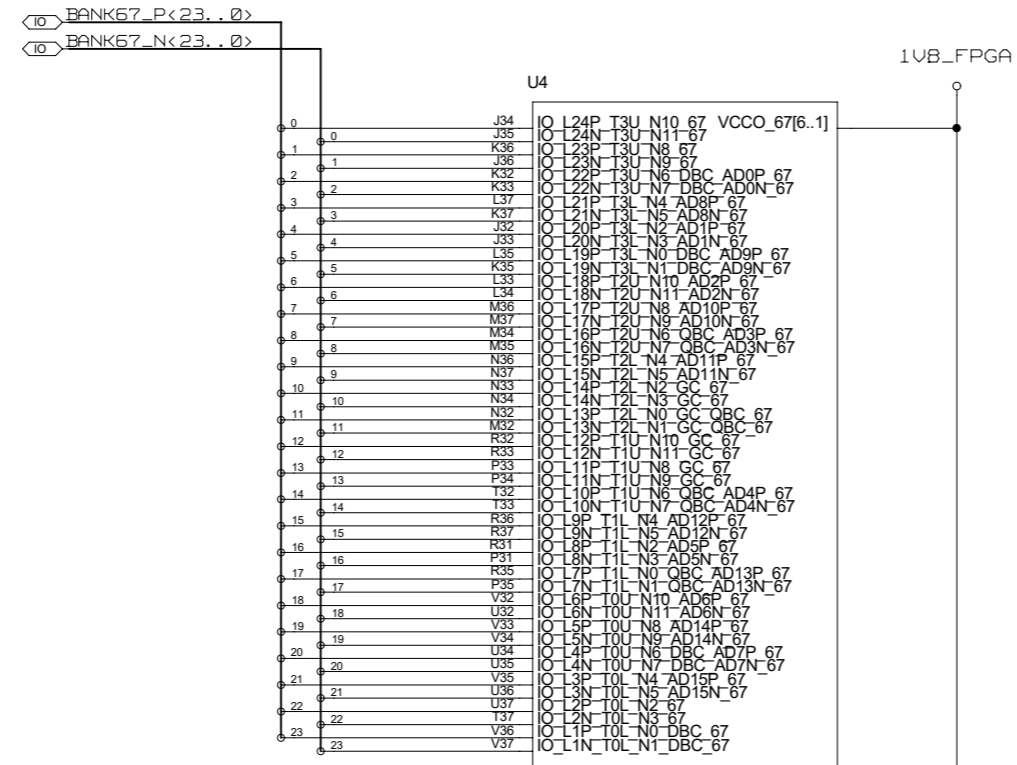
REVISIONS				
ZONE	LTR	DESCRIPTION	DATE	APPR.



BANK
66
68

NAME	DATE	SIGN	DRAWING TITLE
CHECKED J. V. DE SOUZA			JFEX
CHECKED U. SCHAEFER			
CHECKED S. RAVE			
DRAWN BAUSS	25. 08. 2015		
BLOCK TITLE			
U4_PARALLEL_I/O			
UNIVERSITY OF MAINZ			SIZE C REV. DRAWING NO.
SCALE			SHEET 3 OF 5

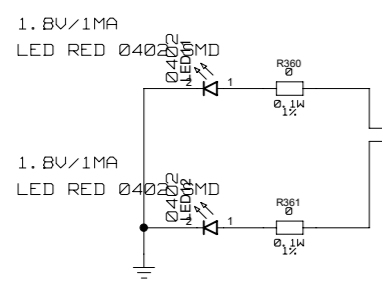
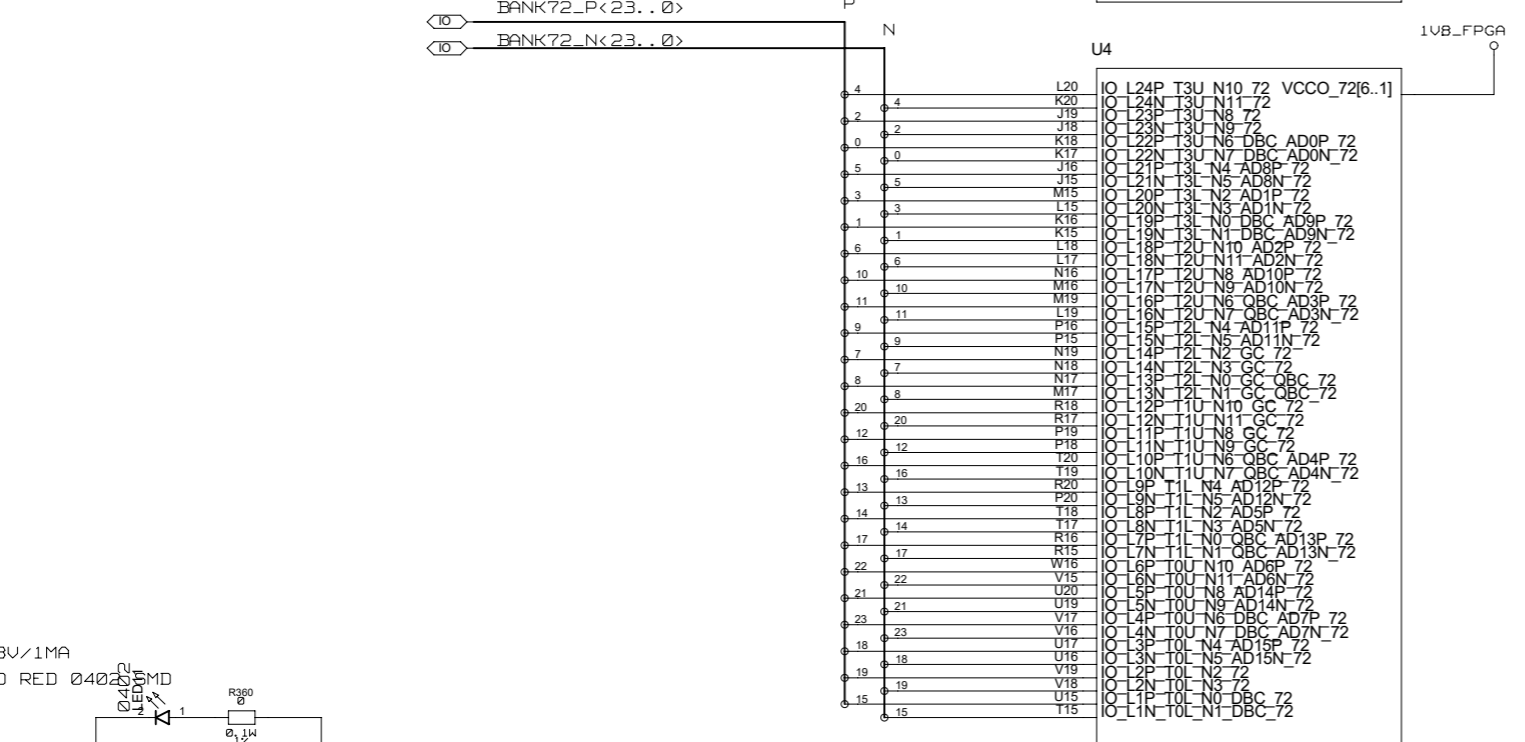
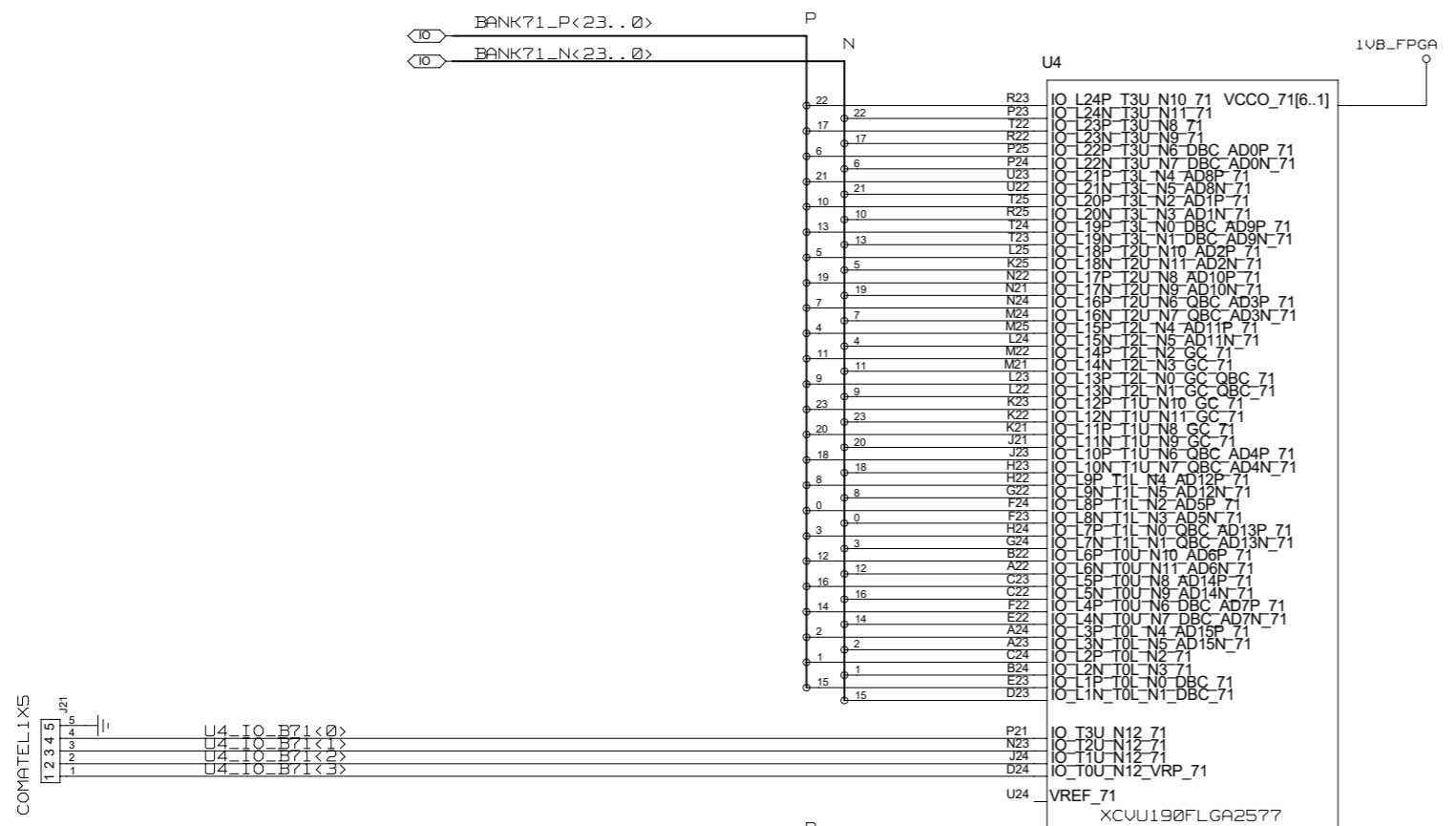
REVISIONS				
ZONE	LTR	DESCRIPTION	DATE	APPR.



BANK  
67  
70

NAME	DATE	SIGN	DRAWING TITLE
CHECKED J.V. DE SOUZA			JFEX
CHECKED U.SCHAEFER			
CHECKED S.RAVE			
DRAWN BAUSS	25.08.2015		
BLOCK TITLE			
U4_PARALLEL_I/O			
UNIVERSITY OF MAINZ		SIZE <b>C</b>	REV.
		SCALE	DRAWING NO.
			SHEET 4 OF 5

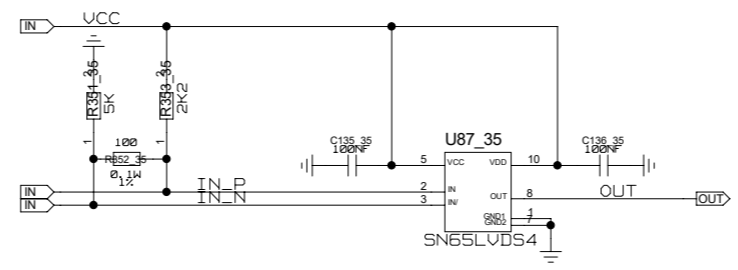
REVISIONS				
ZONE	LTR	DESCRIPTION	DATE	APPR.



BANK  
71  
72

NAME	DATE	SIGN	DRAWING TITLE
CHECKED J.V. DE SOUZA			JFEX
CHECKED U.SCHAEFER			
CHECKED S.RAVE			
DRAWN BAUSS	25.08.2015		
BLOCK TITLE			U4_PARALLEL_I/O
UNIVERSITY OF MAINZ		SIZE C	DRAWING NO.
SCALE		SHEET 5 OF 5	

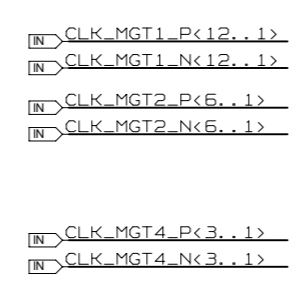
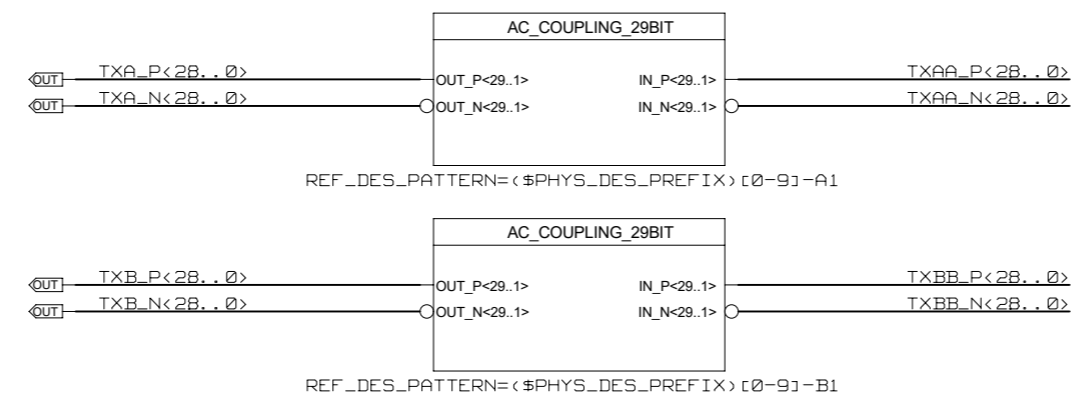
REVISIONS				
ZONE	LTR	DESCRIPTION	DATE	APPR.



CHECKED	J. V. DE SOUZA			DRAWING TITLE  <b>JFEX</b>
CHECKED	U. SCHAEFER			
CHECKED	S. RAVE			
DRAWN	BAUSS			
BLOCK TITLE <b>CLOCK_LVDS_LVCMOS</b>				
<b>UNIVERSITY OF MAINZ</b>		SIZE <b>C</b>	REV.	DRAWING NO.
SCALE				SHEET OF

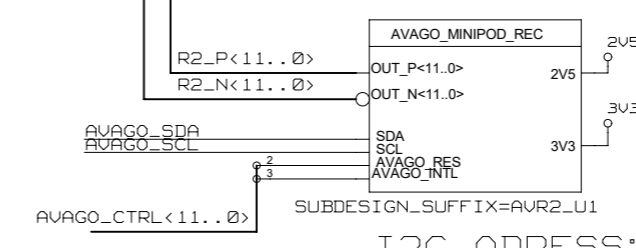
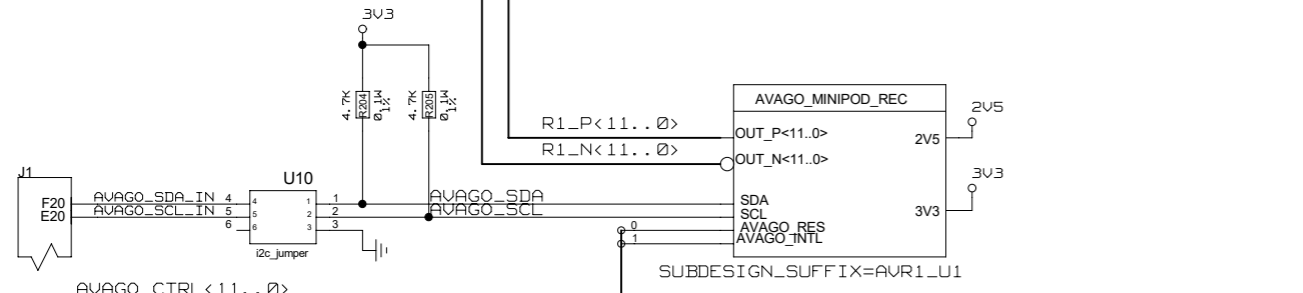
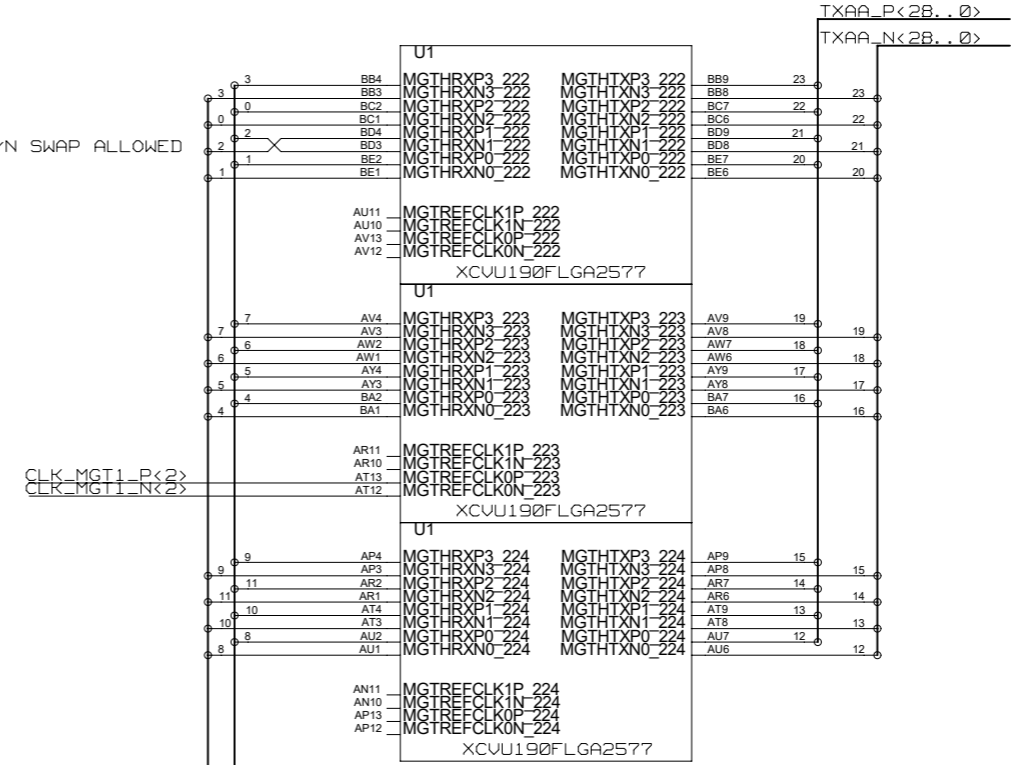
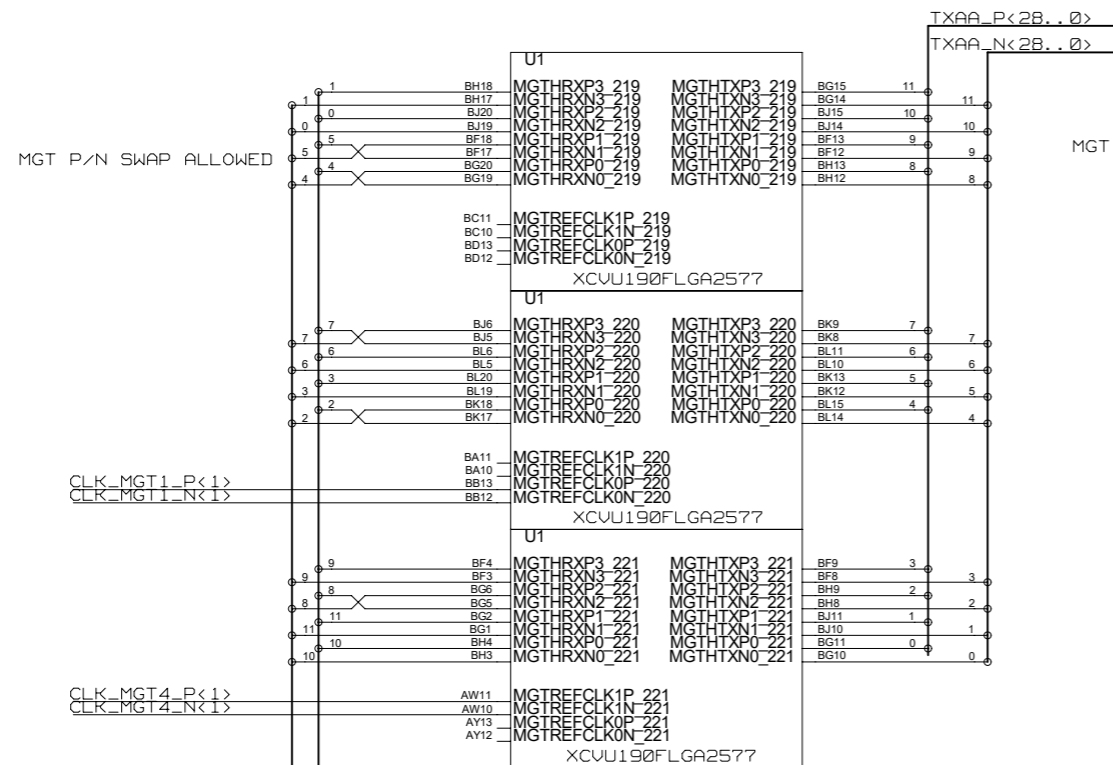
REVISIONS				
ZONE	LTR	DESCRIPTION	DATE	APPR.

### AC COUPLING



CHECKED	J.V.DE SOUZA			DRAWING TITLE <b>I/O + AC COUPLING</b>
CHECKED	U.SCHAEFER			
CHECKED	S.RAVE			
DRAWN	BAUSS	07.08.2015		
BLOCK TITLE <b>U1_MGT_REAL_TIME</b>				SIZE <b>C</b>
UNIVERSITY OF MAINZ				REV.
SCALE				DRAWING NO.
				SHEET 1 OF 7

REVISIONS				
ZONE	LTR	DESCRIPTION	DATE	APPR.



AVAGO\_CTRL<11..0>  
 AVAGO\_CTRL 0, 2, 4, 6, 8, 10 = AVAGO\_RES\_XX  
 AVAGO\_CTRL 1, 3, 5, 7, 9, 11 = AVAGO\_INTL\_XX

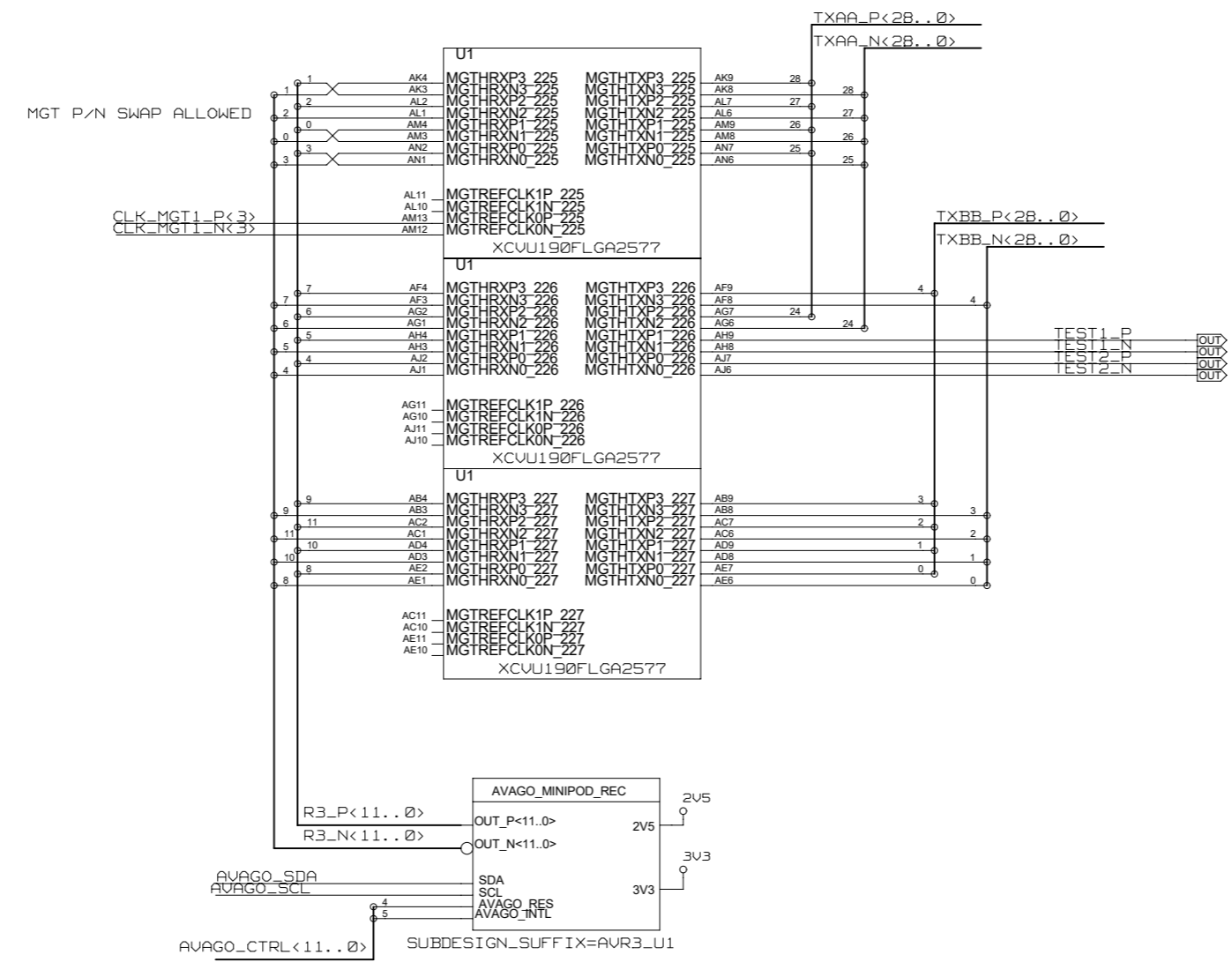
I2C ADDRESS:  
 R3=XXX R4=XXX  
 R5=XXX R6=XXX  
 R7=XXX R8=XXX

I2C ADDRESS:  
 R3=XXX R4=XXX  
 R5=XXX R6=XXX  
 R7=XXX R8=XXX

BANK
210
209
208
207
206
205
204
203
202
201
200

NAME	DATE	SIGN	DRAWING TITLE
CHECKED J.V. DE SOUZA			AVAGO TXA
CHECKED U.SCHAEFER			
CHECKED S.RAVE			
DRAWN BAUSS	07.08.2015		
BLOCK TITLE			
U1_MGT_REAL_TIME			
UNIVERSITY OF MAINZ			
SIZE	REV.	DRAWING NO.	
C			
SCALE		SHEET 2 OF 7	

REVISIONS				
ZONE	LTR	DESCRIPTION	DATE	APPR.



AVAGO\_MINIPOD\_REC

OUT\_P<11..0> 2V5

OUT\_N<11..0> 2V5

SDA 3V3

SCL 3V3

AVAGO\_RES 3V3

AVAGO\_INTL 3V3

SUBDESIGN\_SUFFIX=AVR3\_U1

I2C ADDRESS:

R3=XXX R4=XXX

R5=XXX R6=XXX

R7=XXX R8=XXX

BANK

225

226

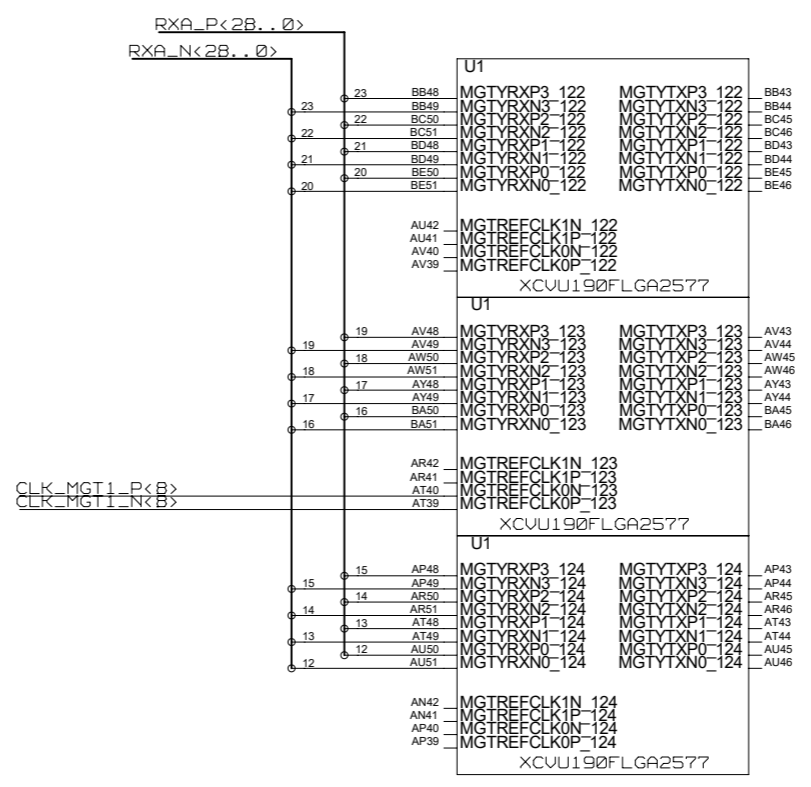
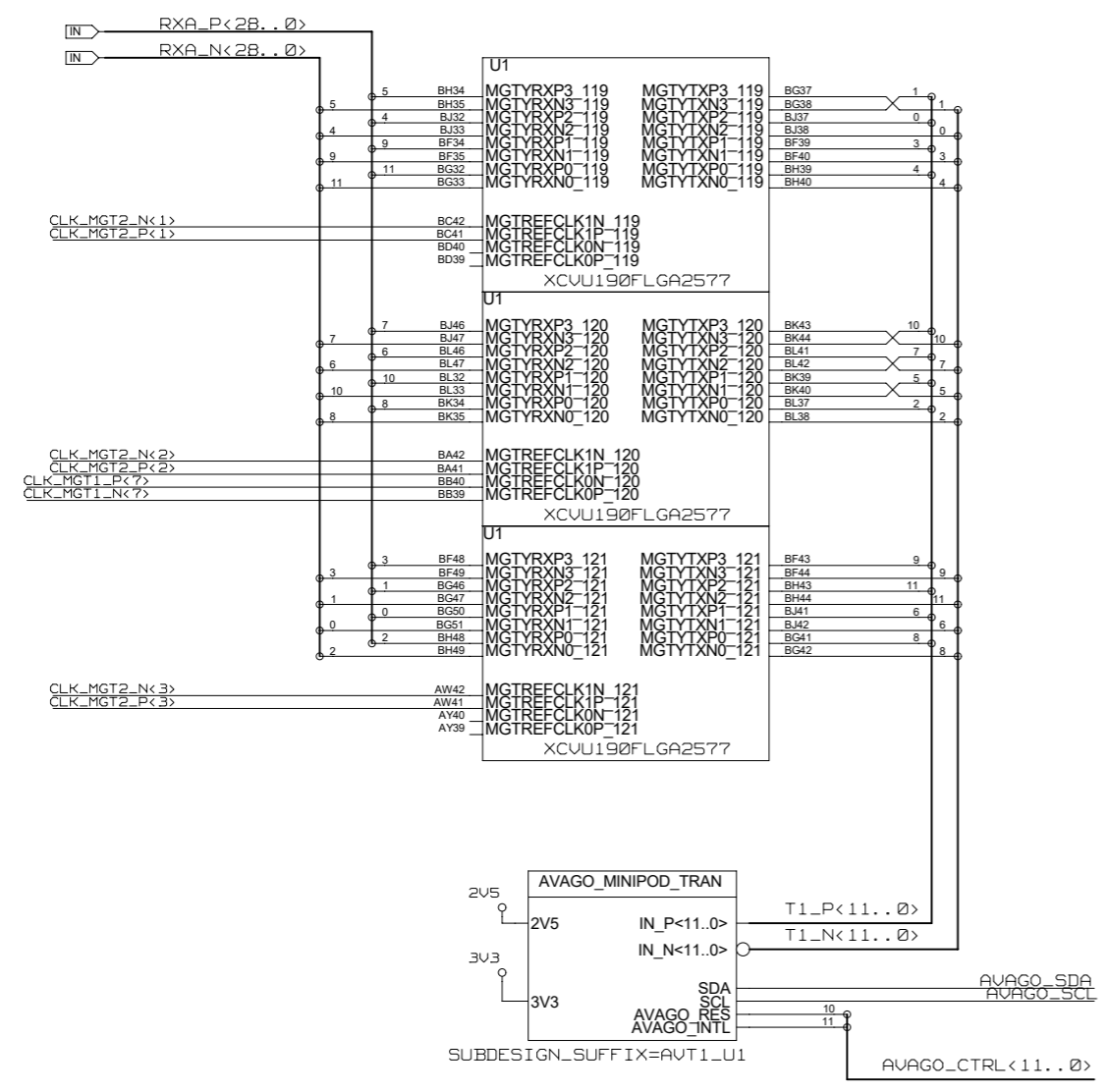
227

CHECKED	J.V.DE SOUZA			DRAWING TITLE
CHECKED	U.SCHAEFER			
CHECKED	S.RAVE			
DRAWN	BAUSS	07.08.2015		
BLOCK TITLE				<h1 style="text-align: center;">AVAGO</h1> <h2 style="text-align: center;">TXA + TXB</h2>
U1_MGT_REAL_TIME				
UNIVERSITY OF MAINZ		SIZE	REV.	DRAWING NO.
		C		
SCALE				SHEET 3 OF 7





REVISIONS				
ZONE	LTR	DESCRIPTION	DATE	APPR.

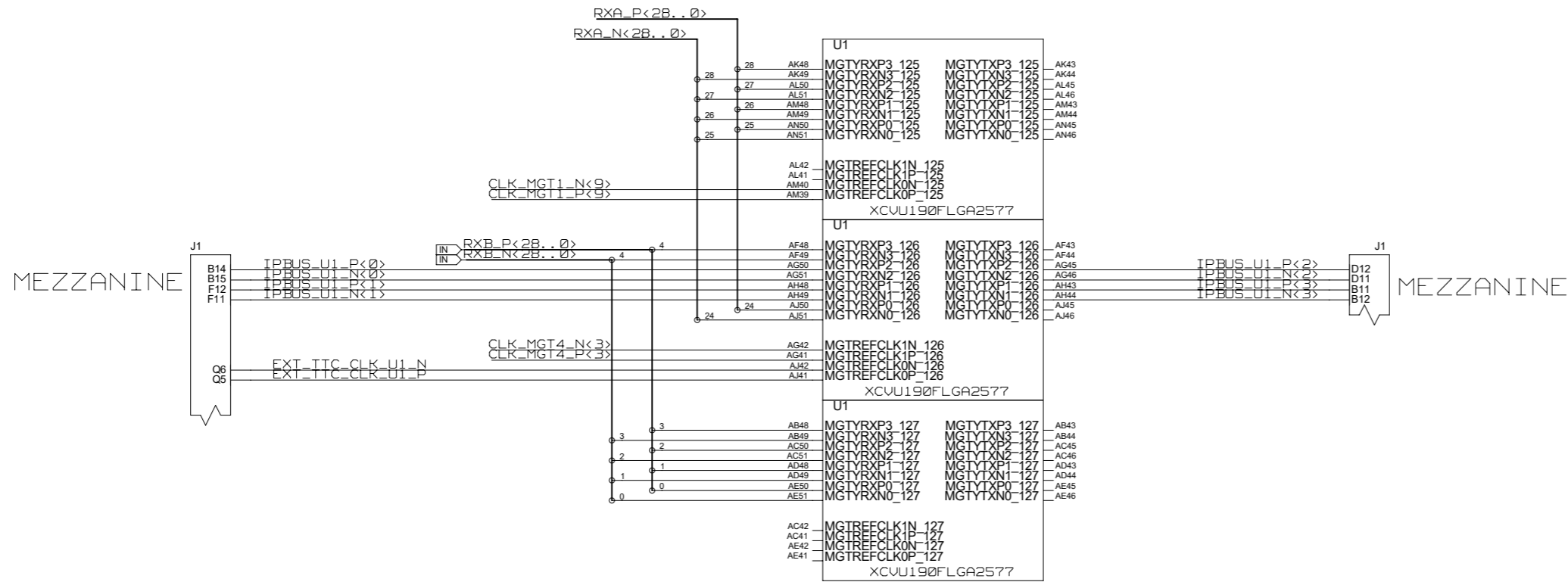


I2C ADDRESS:  
R3=XXX R4=XXX  
R5=XXX R6=XXX  
R7=XXX R8=XXX

BANK
110
120
130
140
150
160
170
180
190
200
210
220
230
240

NAME	DATE	SIGN	DRAWING TITLE		
CHECKED	J.V.DE SOUZA		AVAGO RXA		
CHECKED	U.SCHAEFER				
CHECKED	S.RAVE				
DRAWN	BAUSS	07.08.2015			
BLOCK TITLE			SIZE	REV.	DRAWING NO.
U1_MGT_REAL_TIME			C		
UNIVERSITY OF MAINZ			SCALE		SHEET 5 OF 7

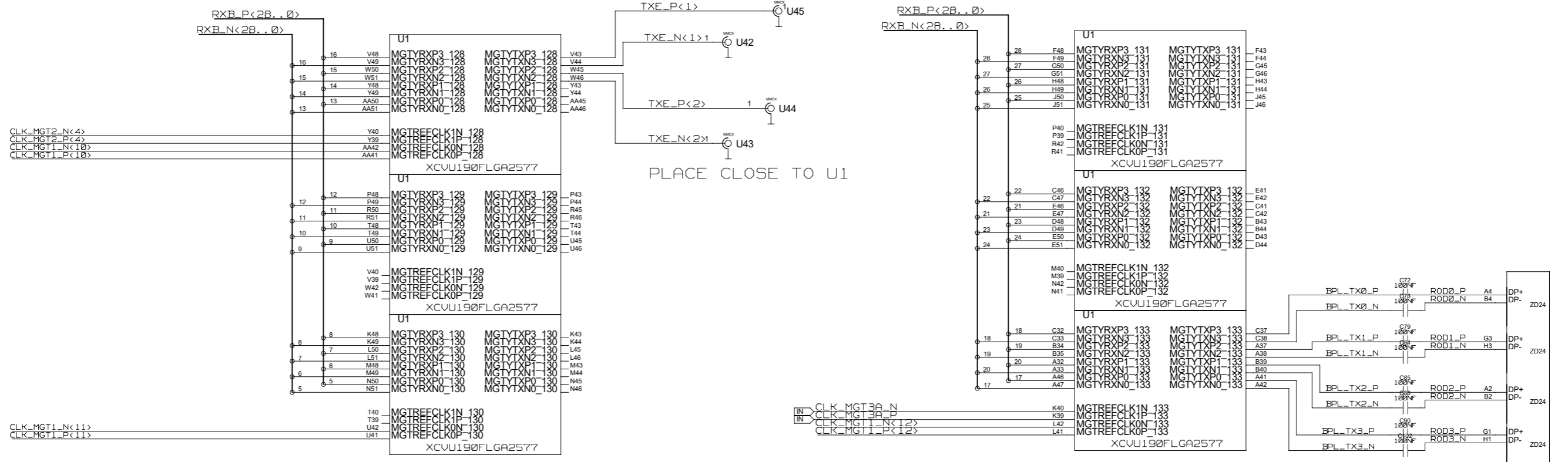
REVISIONS				
ZONE	LTR	DESCRIPTION	DATE	APPR.



BANK
125
126
127

CHECKED	J. V. DE SOUZA			DRAWING TITLE <b>RXA + RXB TXD + IPBUS</b>
CHECKED	U. SCHAEFER			
CHECKED	S. RAVE			
DRAWN	BAUSS	07.08.2015		
BLOCK TITLE U1_MGT_REAL_TIME				
UNIVERSITY OF MAINZ				SIZE <b>C</b>
				REV.
				DRAWING NO.
				SCALE
				SHEET 6 OF 7

REVISIONS				
ZONE	LTR	DESCRIPTION	DATE	APPR.



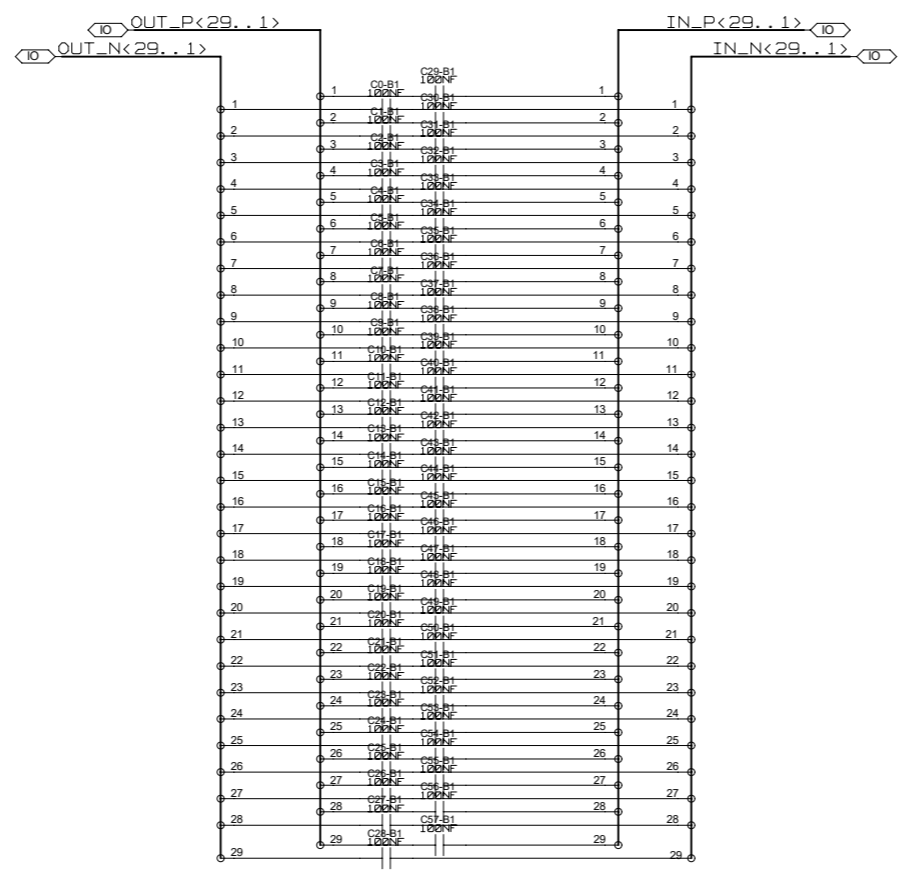
PLACE CLOSE TO U2

PLACE CLOSE TO U1

BANK
128
129
130
131
132
133
134
135
136
137
138

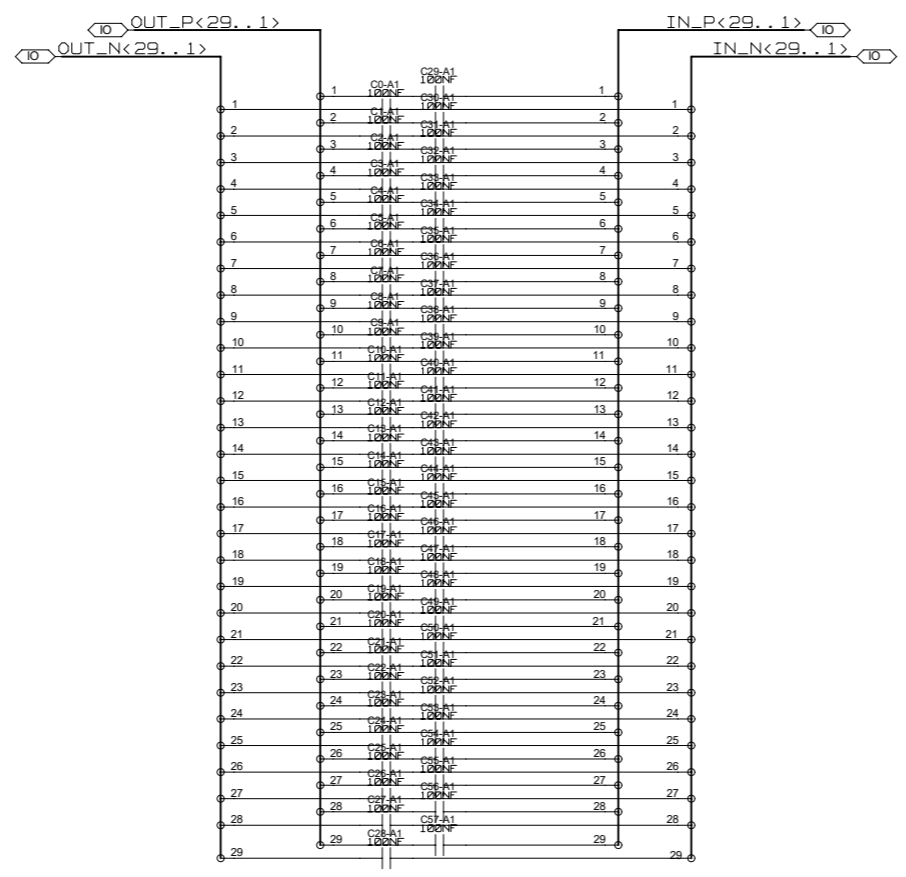
NAME	DATE	SIGN	DRAWING TITLE
CHECKED	J. V. DE SOUZA		RXB + TXC
CHECKED	U. SCHAEFER		
CHECKED	S. RAVE		
DRAWN	BAUSS	07.08.2015	
BLOCK TITLE			
U1_MGT_REAL_TIME			
UNIVERSITY OF MAINZ		SIZE <b>C</b>	REV.
		SCALE	DRAWING NO.
			SHEET 7 OF 7

REVISIONS				
ZONE	LTR	DESCRIPTION	DATE	APPR.



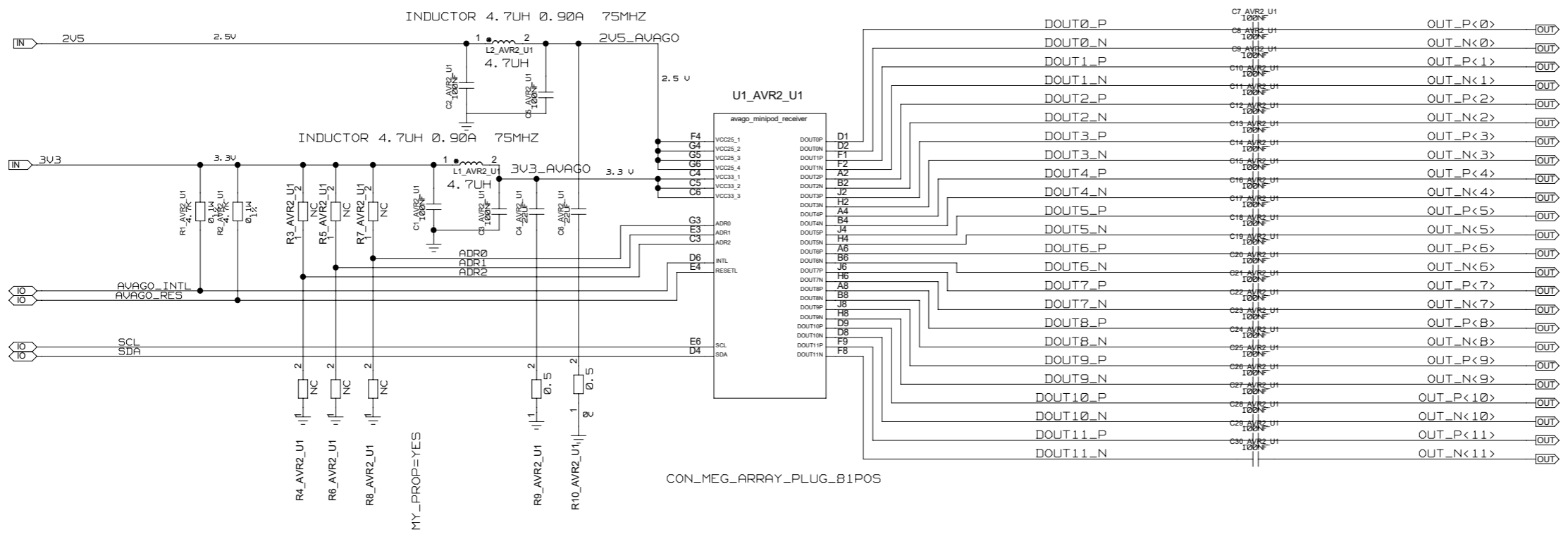
CHECKED	J. V. DE SOUZA			DRAWING TITLE  <b>AC COUPLING 29BIT</b>		
CHECKED	U. SCHAEFER					
CHECKED	S. RAVE					
DRAWN	BAUSS					
BLOCK TITLE						
UNIVERSITY OF MAINZ				SIZE <b>C</b>	REV.	DRAWING NO.
				SCALE		SHEET OF

REVISIONS				
ZONE	LTR	DESCRIPTION	DATE	APPR.



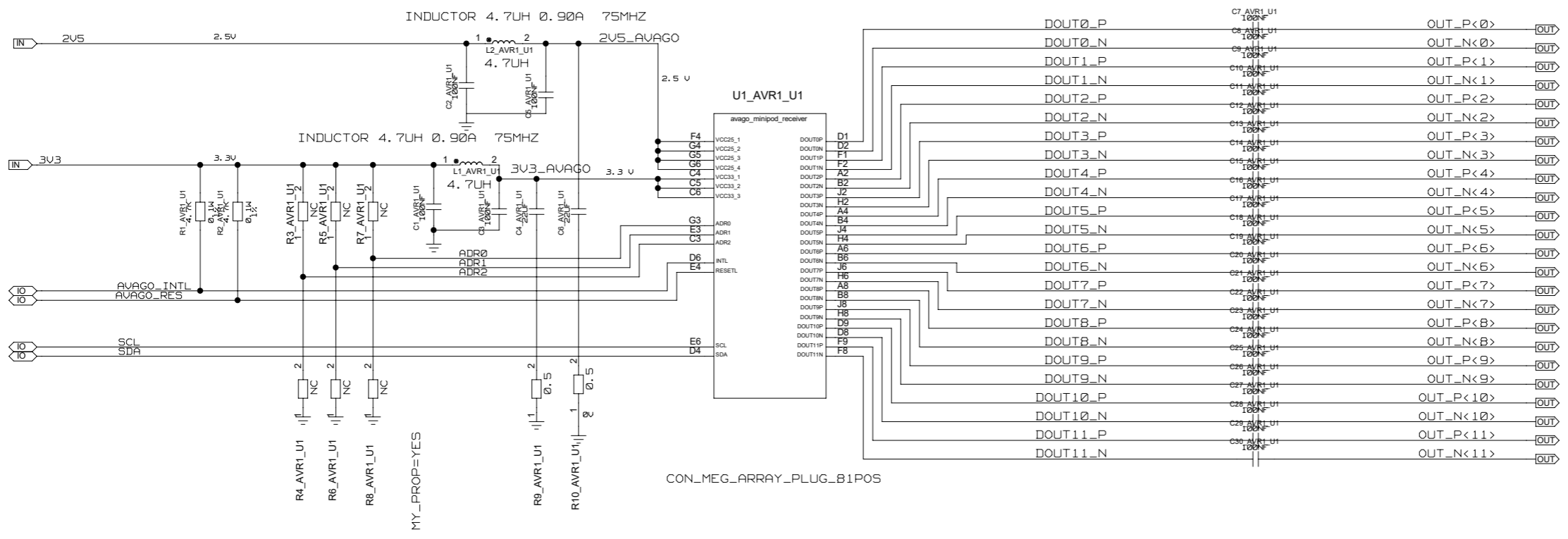
CHECKED	J. V. DE SOUZA			DRAWING TITLE  <b>AC COUPLING 29BIT</b>	
CHECKED	U.SCHAEFER				
CHECKED	S.RAVE				
DRAWN	BAUSS				
BLOCK TITLE					
<b>UNIVERSITY OF MAINZ</b>				SIZE <b>C</b>	REV.
				SCALE	DRAWING NO.
			SHEET	OF	

REVISIONS				
ZONE	LTR	DESCRIPTION	DATE	APPR.



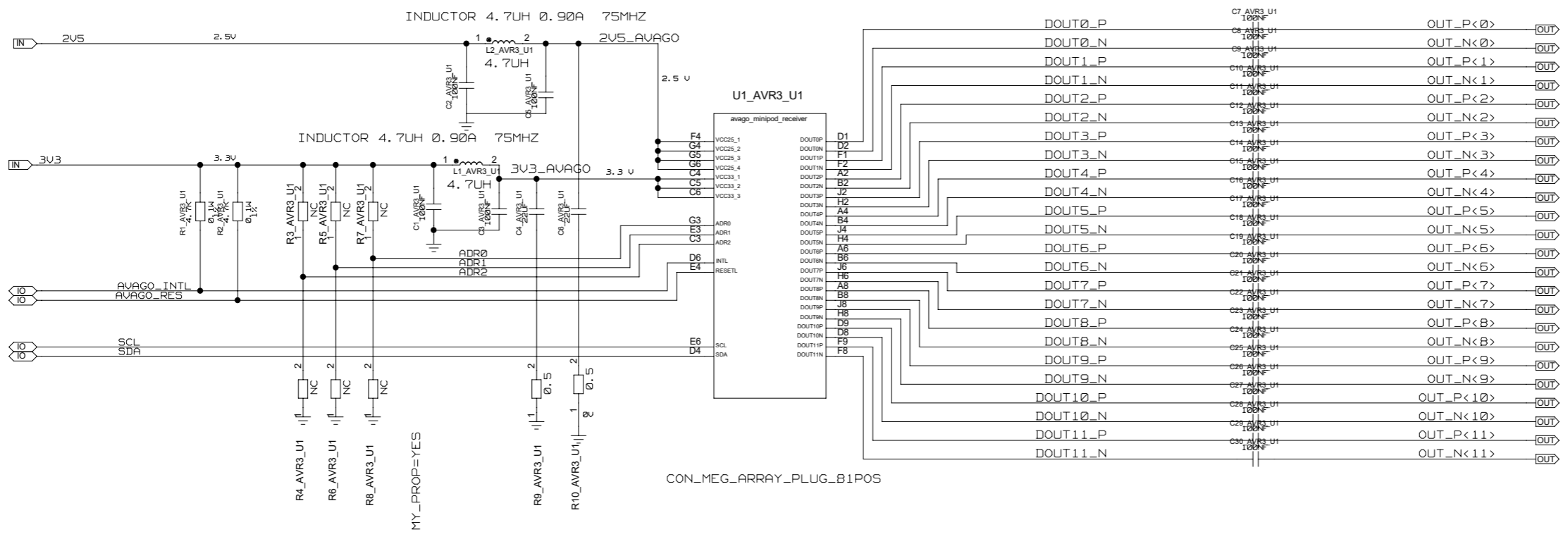
UNIVERSITY OF MAINZ		DRAWING TITLE	
		AVAGO RECEIVER	
SIZE	REV.	DRAWING NO.	
C			
SCALE		SHEET	OF

REVISIONS				
ZONE	LTR	DESCRIPTION	DATE	APPR.



UNIVERSITY OF MAINZ		DRAWING TITLE	
		AVAGO RECEIVER	
SIZE	REV.	DRAWING NO.	
C			
SCALE		SHEET	OF

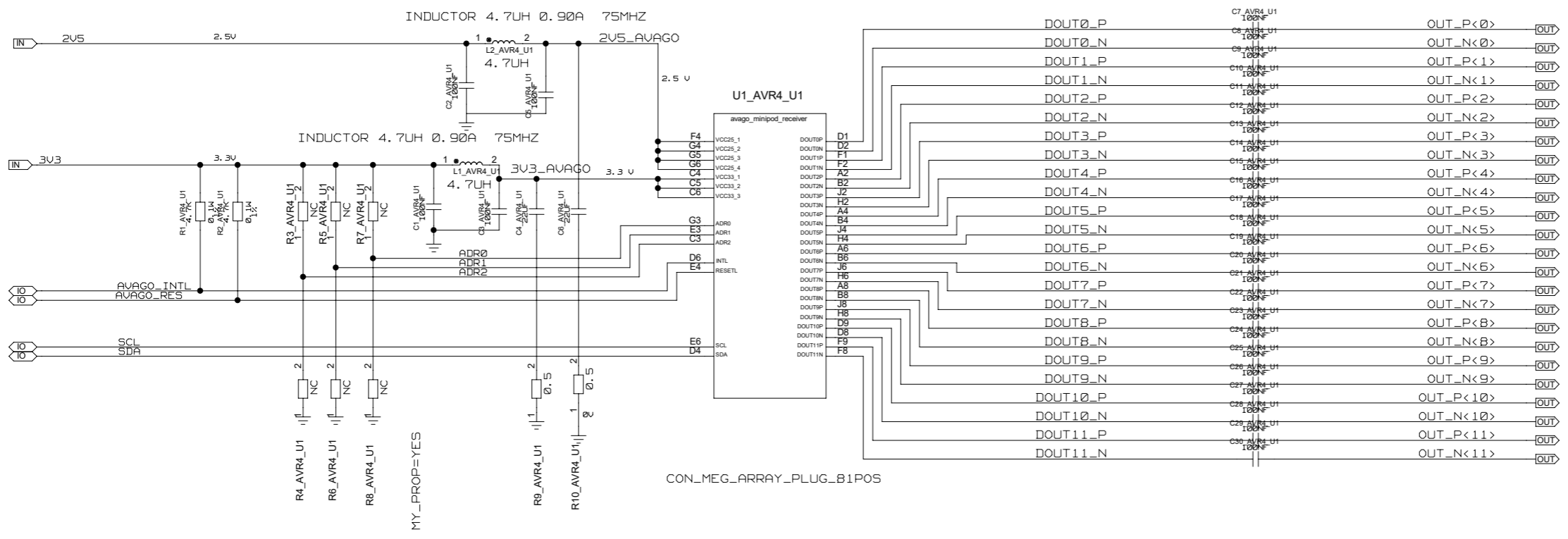
REVISIONS				
ZONE	LTR	DESCRIPTION	DATE	APPR.



UNIVERSITY OF MAINZ		DRAWING TITLE	
		AVAGO RECEIVER	
SIZE	REV.	DRAWING NO.	
C			
SCALE		SHEET	OF

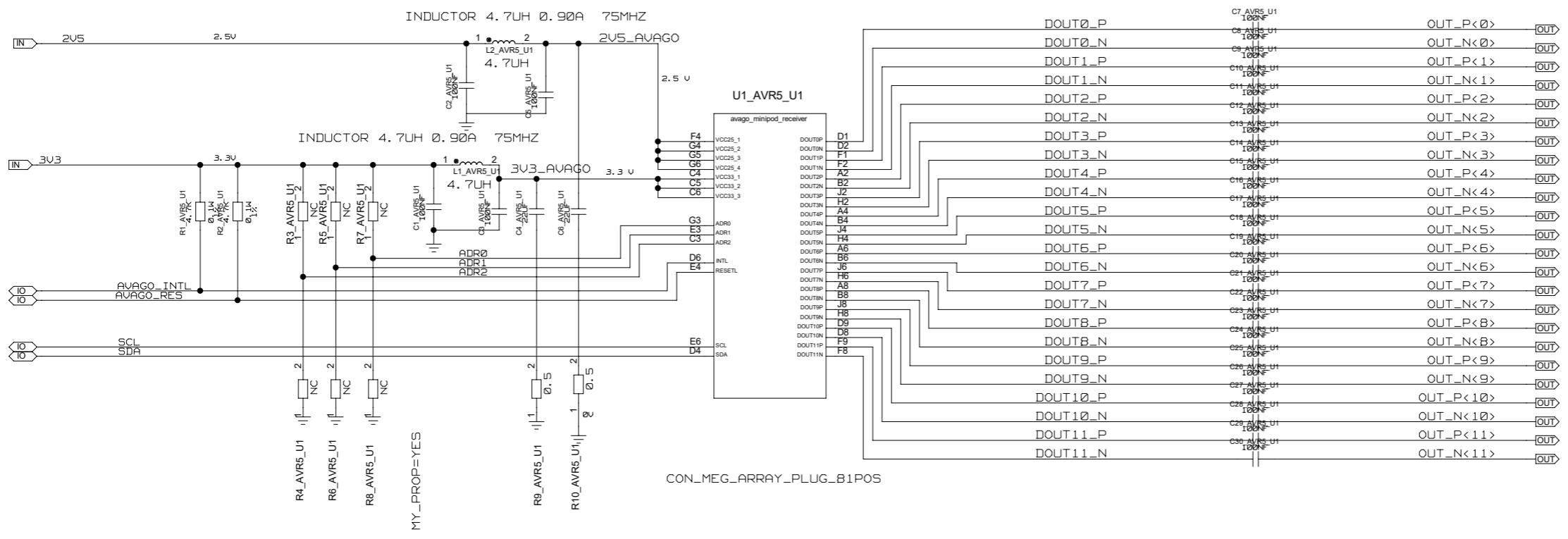


REVISIONS				
ZONE	LTR	DESCRIPTION	DATE	APPR.



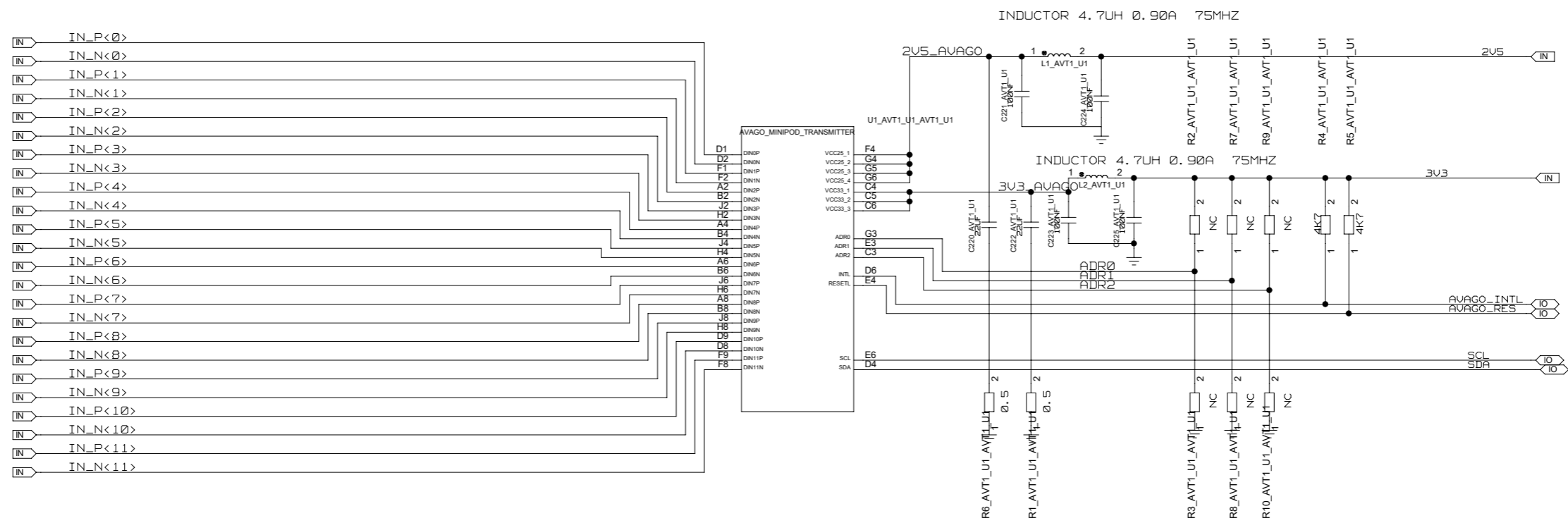
UNIVERSITY OF MAINZ		DRAWING TITLE	
		AVAGO RECEIVER	
SIZE	REV.	DRAWING NO.	
C			
SCALE		SHEET	OF

REVISIONS				
ZONE	LTR	DESCRIPTION	DATE	APPR.



UNIVERSITY OF MAINZ		DRAWING TITLE	
		AVAGO RECEIVER	
SIZE	REV.	DRAWING NO.	
C			
SCALE		SHEET	OF

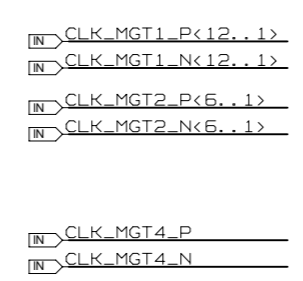
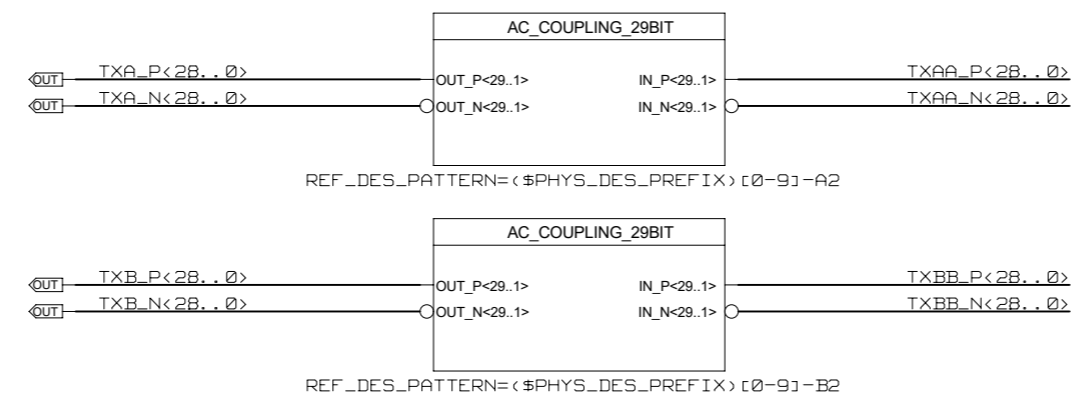
REVISIONS				
ZONE	LTR	DESCRIPTION	DATE	APPR.



UNIVERSITY OF MAINZ		DRAWING TITLE AVAGO TRANSMITTER	
SIZE <b>C</b>	REV.	DRAWING NO.	
SCALE	SHEET		OF

REVISIONS				
ZONE	LTR	DESCRIPTION	DATE	APPR.

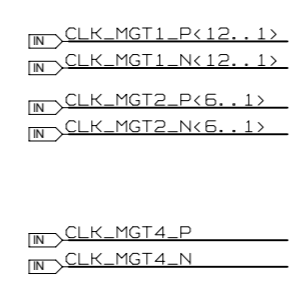
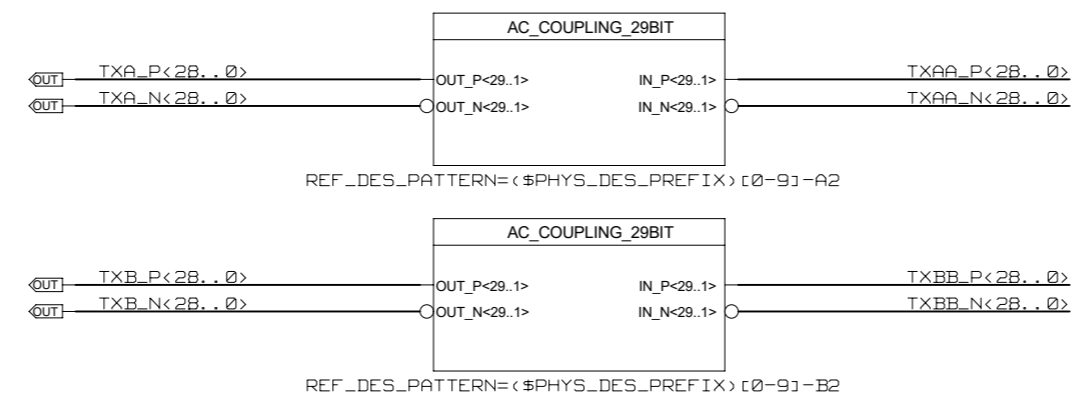
### AC COUPLING



CHECKED	J.V.DE SOUZA			DRAWING TITLE <b>I/O + AC COUPLING</b>
CHECKED	U.SCHAEFER			
CHECKED	S.RAVE			
DRAWN	BAUSS	07.08.2015		
BLOCK TITLE <b>U1_MGT_REAL_TIME</b>				SIZE <b>C</b>
UNIVERSITY OF MAINZ				REV.
SCALE				DRAWING NO.
SHEET 1 OF 7				

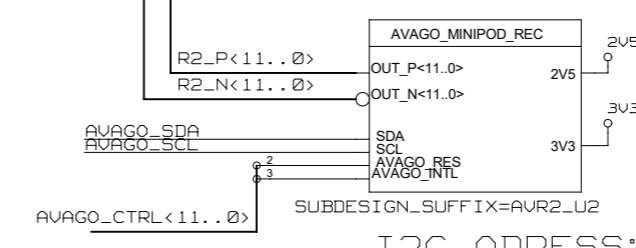
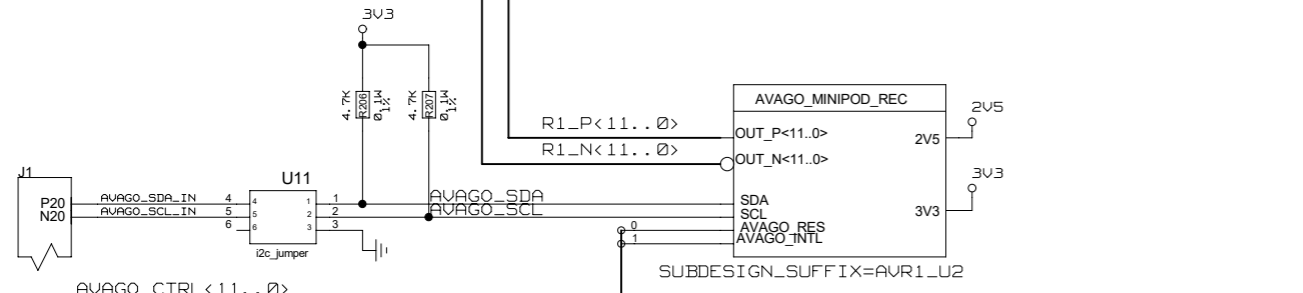
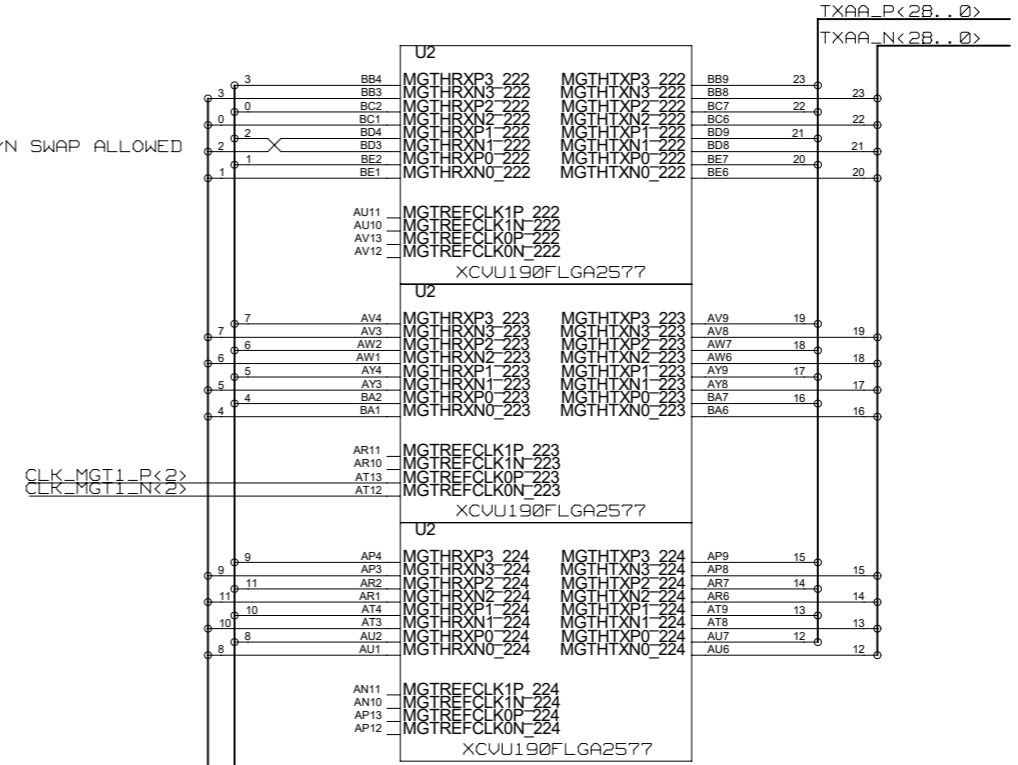
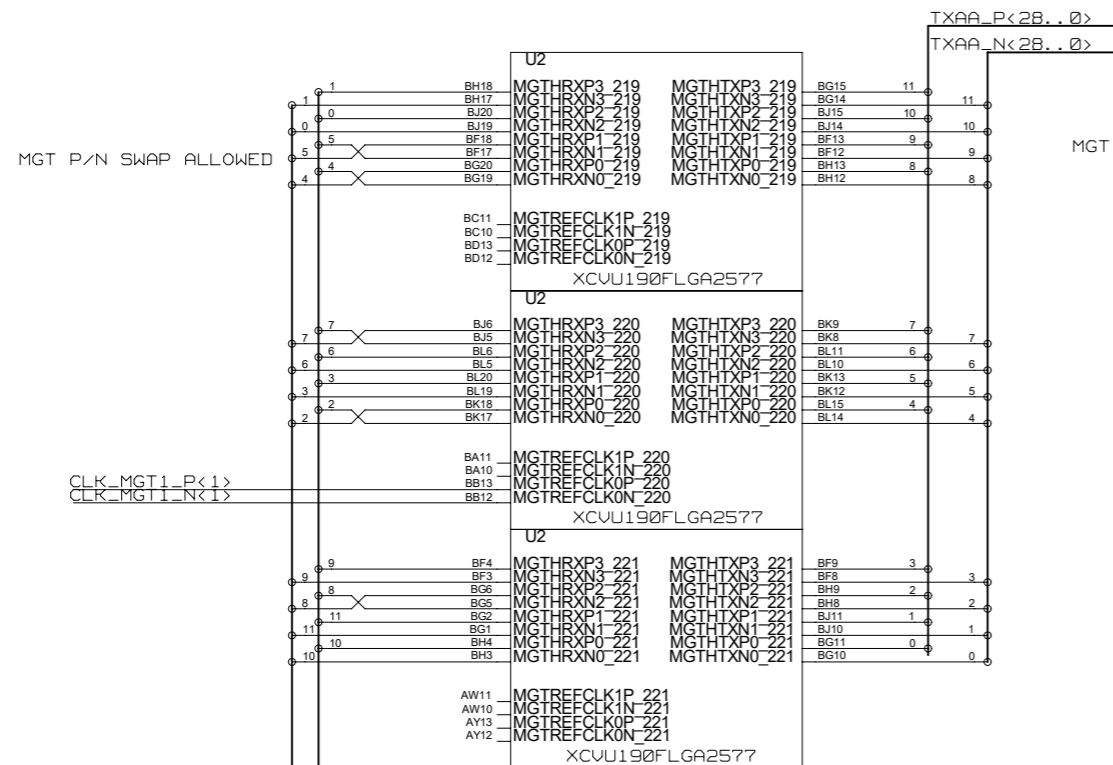
REVISIONS				
ZONE	LTR	DESCRIPTION	DATE	APPR.

### AC COUPLING



CHECKED	J.V. DE SOUZA			DRAWING TITLE <b>I/O + AC COUPLING</b>
CHECKED	U.SCHAEFER			
CHECKED	S.RAVE			
DRAWN	BAUSS	07.08.2015		
BLOCK TITLE <b>U1_MGT_REAL_TIME</b>				SIZE <b>C</b>
UNIVERSITY OF MAINZ				REV.
SCALE				DRAWING NO.
SHEET 1 OF 7				

REVISIONS				
ZONE	LTR	DESCRIPTION	DATE	APPR.



AVAGO\_CTRL<11..0>  
 AVAGO\_CTRL 0, 2, 4, 6, 8, 10 = AVAGO\_RES\_XX  
 AVAGO\_CTRL 1, 3, 5, 7, 9, 11 = AVAGO\_INTL\_XX

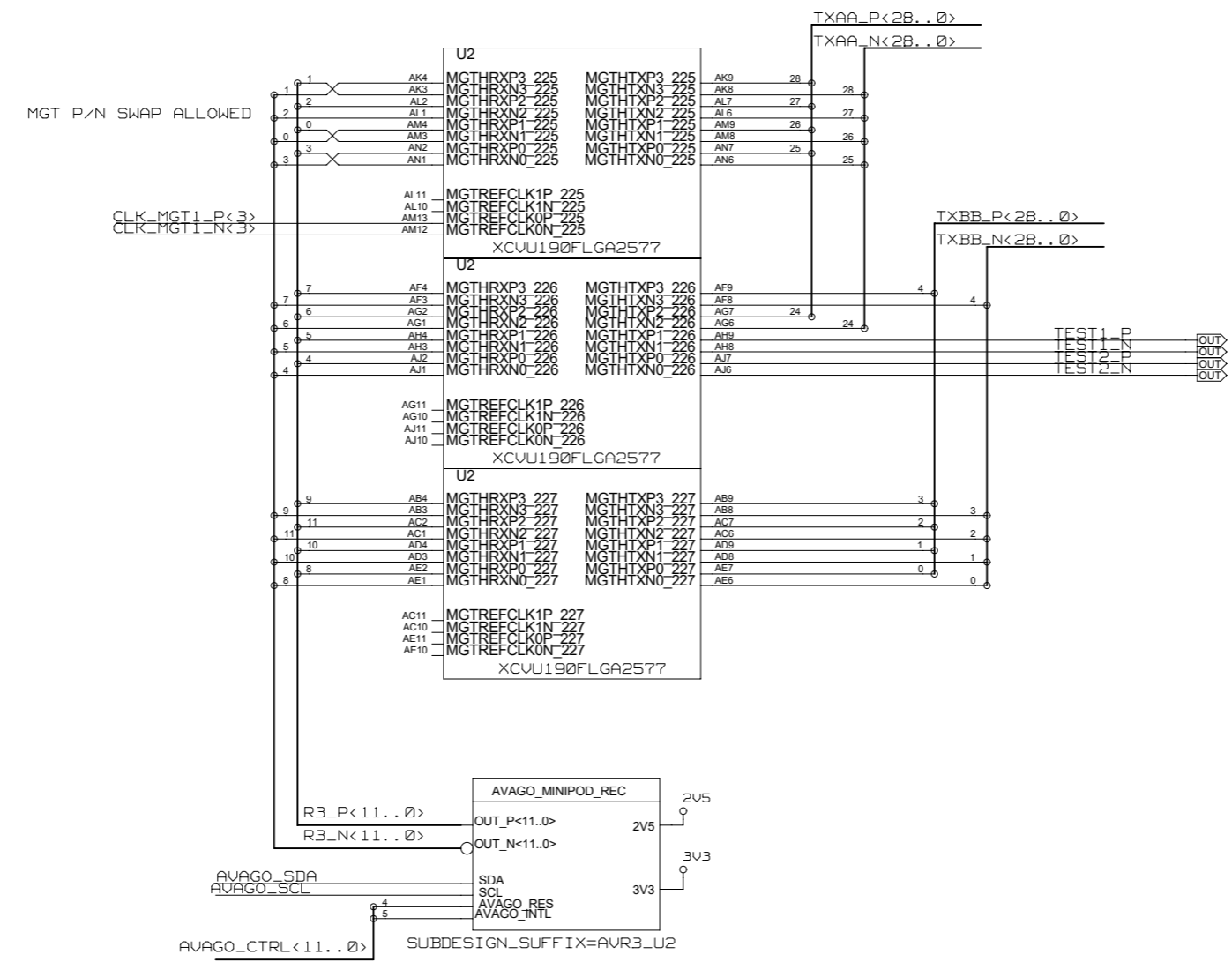
I2C ADDRESS:  
 R3=XXX R4=XXX  
 R5=XXX R6=XXX  
 R7=XXX R8=XXX

I2C ADDRESS:  
 R3=XXX R4=XXX  
 R5=XXX R6=XXX  
 R7=XXX R8=XXX

BANK
210
211
212
213
214
215
216
217
218
219

NAME	DATE	SIGN	DRAWING TITLE
CHECKED J.V.DE SOUZA			AVAGO TXA
CHECKED U.SCHAEFER			
CHECKED S.RAVE			
DRAWN BAUSS	07.08.2015		
BLOCK TITLE			UNIVERSITY OF MAINZ
SIZE	REV.	DRAWING NO.	
SCALE		SHEET 2 OF 7	

REVISIONS				
ZONE	LTR	DESCRIPTION	DATE	APPR.



AVAGO\_MINIPOD\_REC

OUT\_P<11..0> 2V5

OUT\_N<11..0> 2V5

SDA 3V3

SCL 3V3

AVAGO\_RES

AVAGO\_INTL

SUBDESIGN\_SUFFIX=AVR3\_U2

I2C ADDRESS:

R3=XXX    R4=XXX

R5=XXX    R6=XXX

R7=XXX    R8=XXX

BANK

225

226

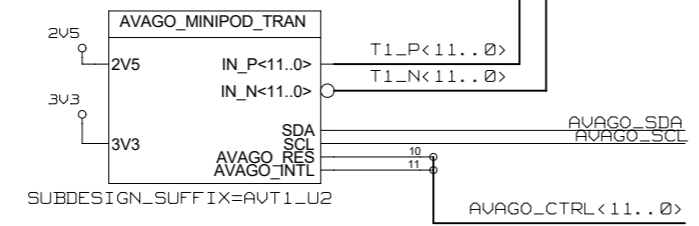
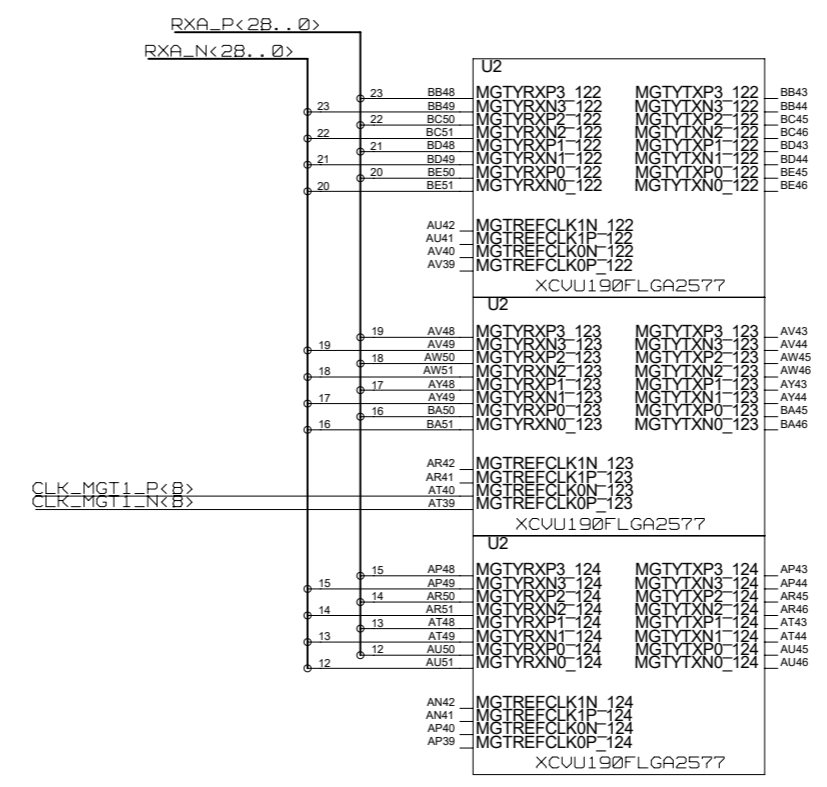
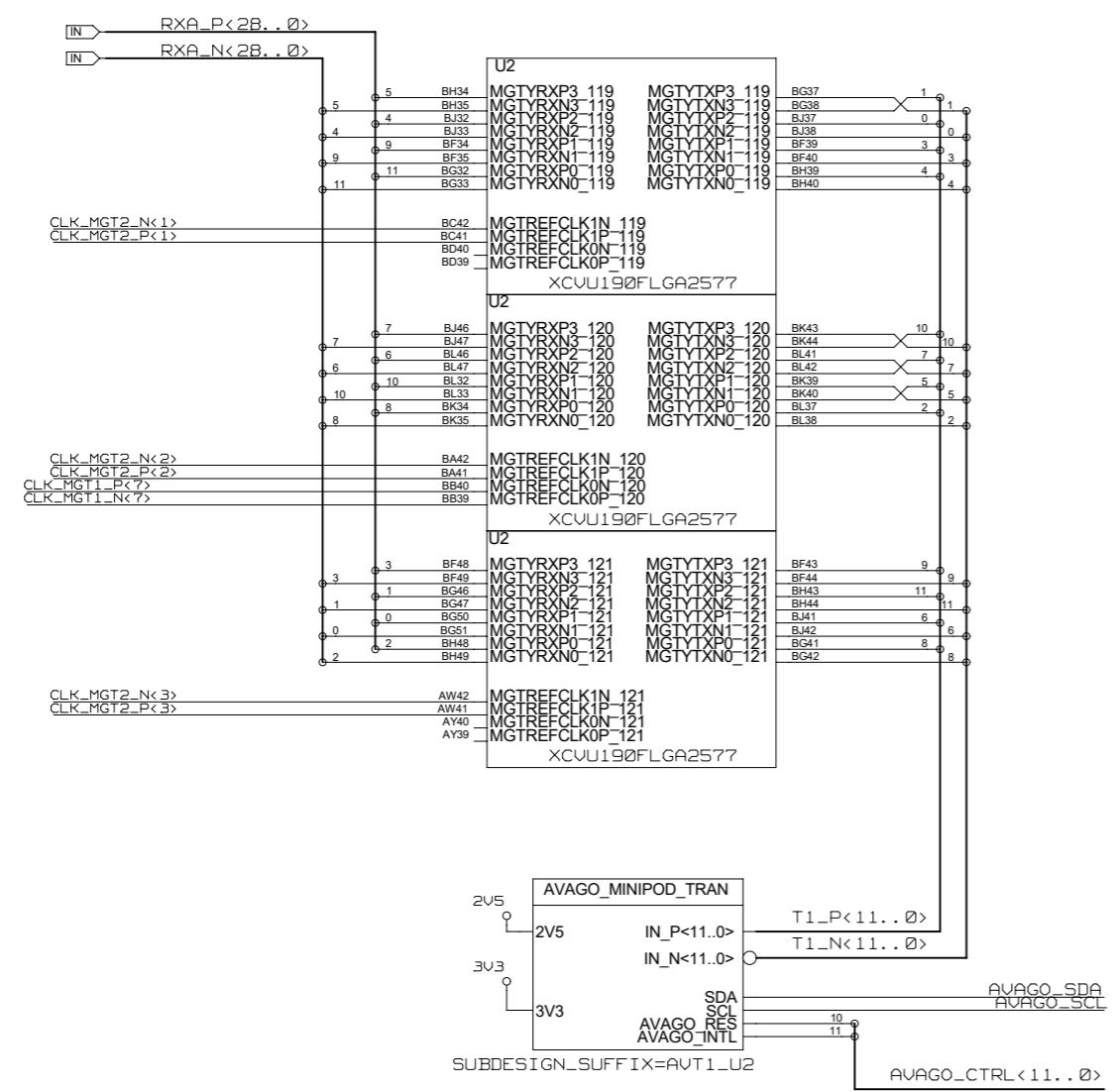
227

CHECKED	J.V.DE SOUZA			DRAWING TITLE
CHECKED	U.SCHAEFER			
CHECKED	S.RAVE			
DRAWN	BAUSS	07.08.2015		
BLOCK TITLE				<p style="text-align: center;">AVAGO</p> <p style="text-align: center;">TXA + TXB</p>
U3_MGT_REAL_TIME				
UNIVERSITY OF MAINZ				
SIZE	REV.	DRAWING NO.		
C				
SCALE				SHEET 3 OF 7





REVISIONS				
ZONE	LTR	DESCRIPTION	DATE	APPR.

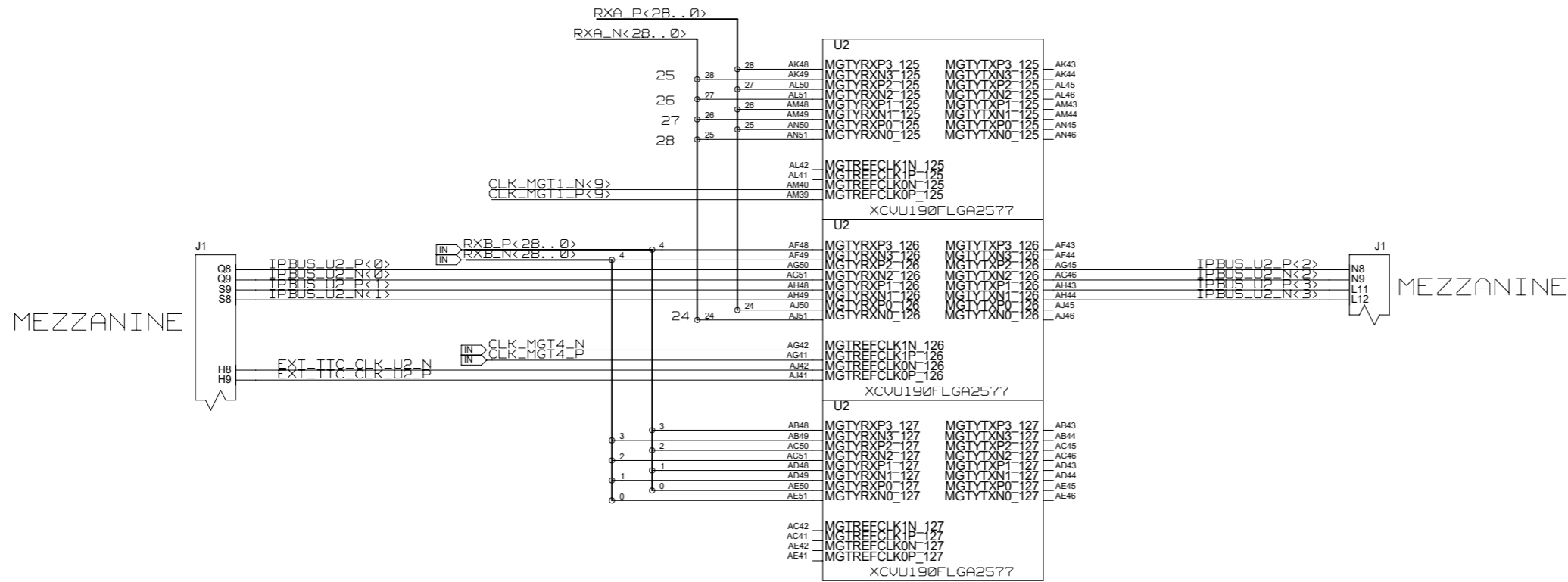


I2C ADDRESS:  
R3=XXX R4=XXX  
R5=XXX R6=XXX  
R7=XXX R8=XXX

BANK
110
120
130
140
150
160
170
180
190

NAME	DATE	SIGN	DRAWING TITLE		
CHECKED	J.V.DE SOUZA		<b>AVAGO RXA</b>		
CHECKED	U.SCHAEFER				
CHECKED	S.RAVE				
DRAWN	BAUSS	07.08.2015			
BLOCK TITLE			SIZE	REV.	DRAWING NO.
U2_MGT_REAL_TIME			<b>C</b>		
UNIVERSITY OF MAINZ			SCALE		SHEET 5 OF 7

REVISIONS				
ZONE	LTR	DESCRIPTION	DATE	APPR.

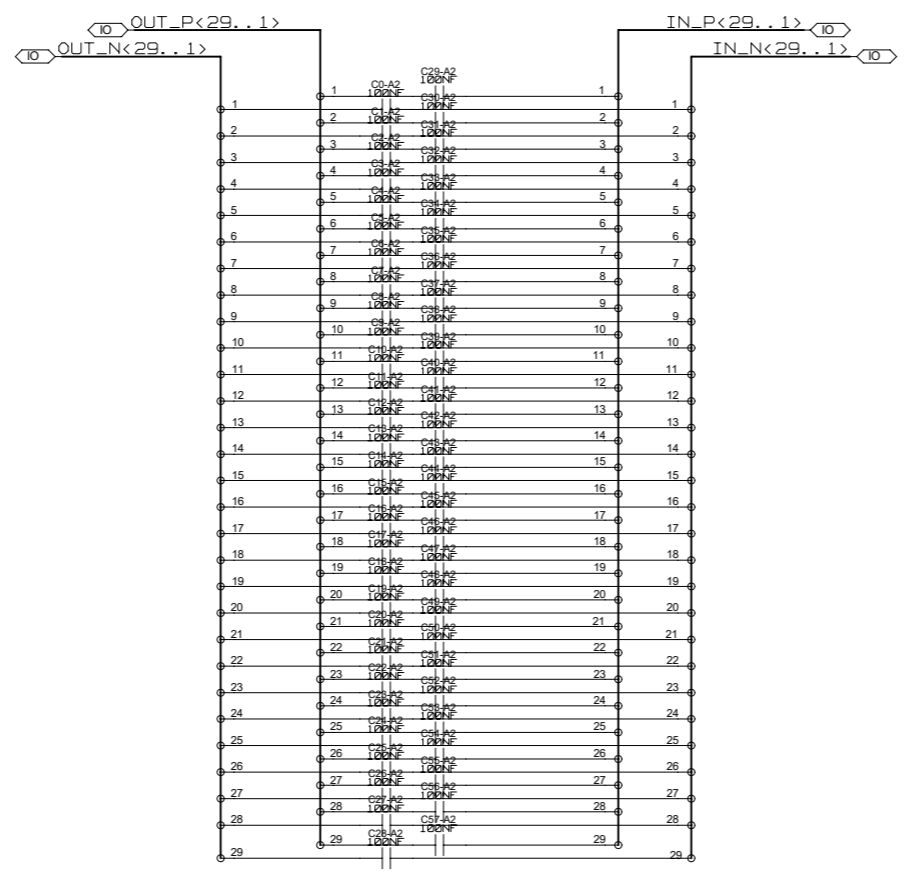


BANK
125
126
127

CHECKED	J. V. DE SOUZA			DRAWING TITLE <b>RXA + RXB TXD + IPBUS</b>
CHECKED	U. SCHAEFER			
CHECKED	S. RAVE			
DRAWN	BAUSS	07.08.2015		
BLOCK TITLE U2_MGT_REAL_TIME				
UNIVERSITY OF MAINZ				SIZE <b>C</b>
				REV.
				DRAWING NO.
				SCALE
				SHEET 6 OF 7

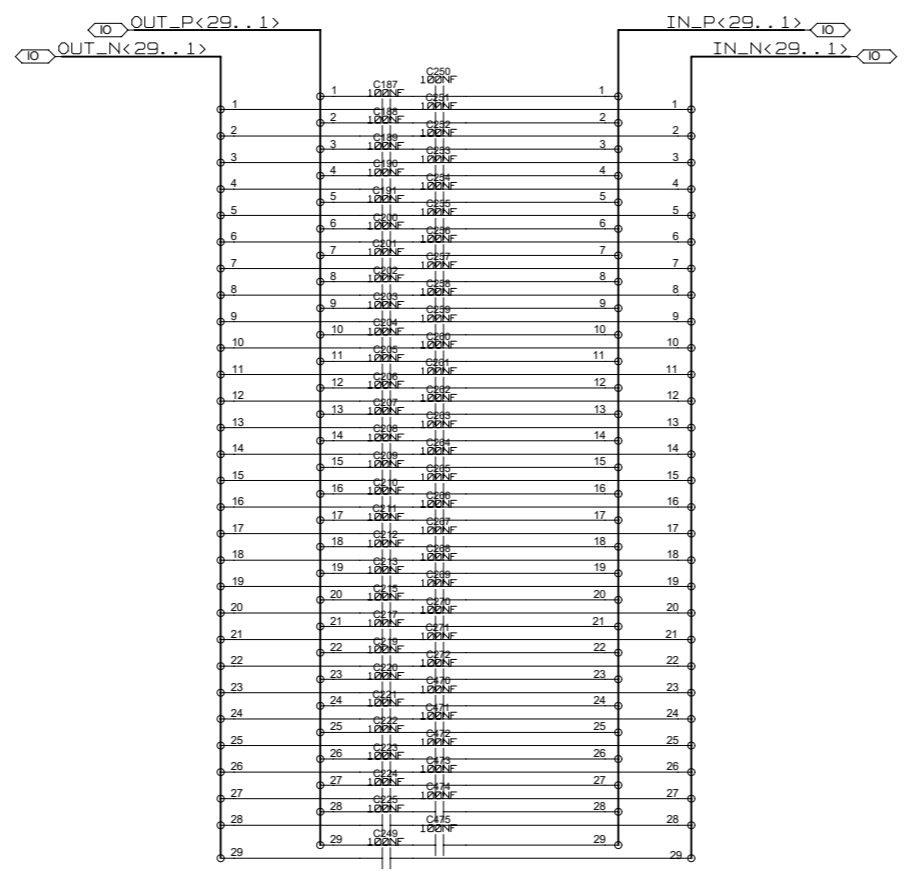


REVISIONS				
ZONE	LTR	DESCRIPTION	DATE	APPR.



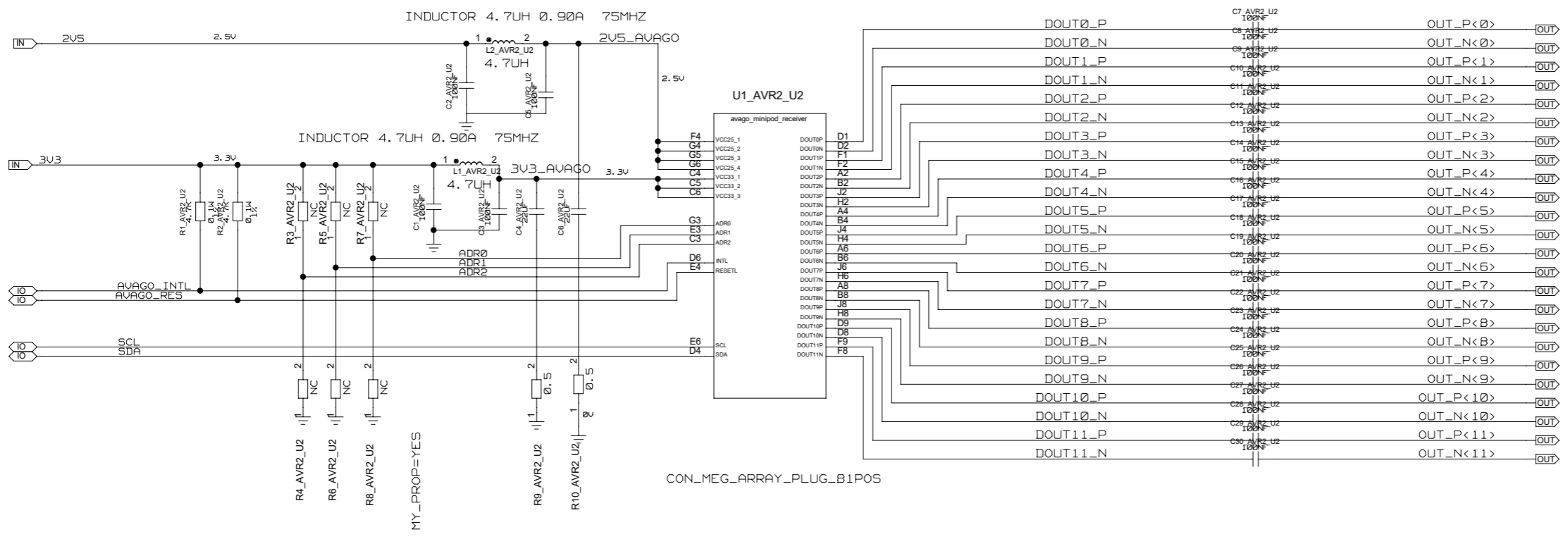
CHECKED	J.V.DE SOUZA			DRAWING TITLE  <b>AC COUPLING 29BIT</b>	
CHECKED	U.SCHAEFER				
CHECKED	S.RAVE				
DRAWN	BAUSS				
BLOCK TITLE					
<b>UNIVERSITY OF MAINZ</b>				SIZE <b>C</b>	REV.
				SCALE	DRAWING NO.
			SHEET	OF	

REVISIONS				
ZONE	LTR	DESCRIPTION	DATE	APPR.



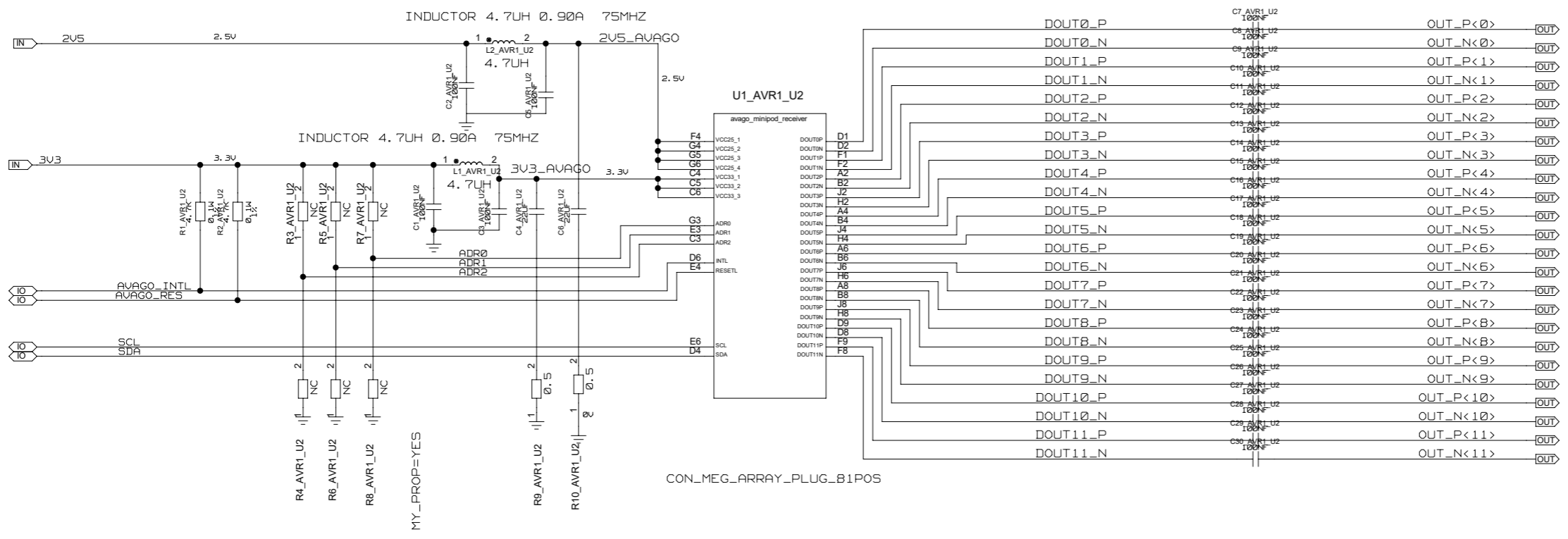
CHECKED	NAME	DATE	SIGN	DRAWING TITLE	
CHECKED	J.V.DE SOUZA			AC COUPLING 29BIT	
CHECKED	U.SCHAEFER				
CHECKED	S.RAVE				
DRAWN	BAUSS				
BLOCK TITLE				SIZE	DRAWING NO.
UNIVERSITY OF MAINZ				<b>C</b>	REV.
				SCALE	SHEET OF

REVISIONS				
ZONE	LTR	DESCRIPTION	DATE	APPR.



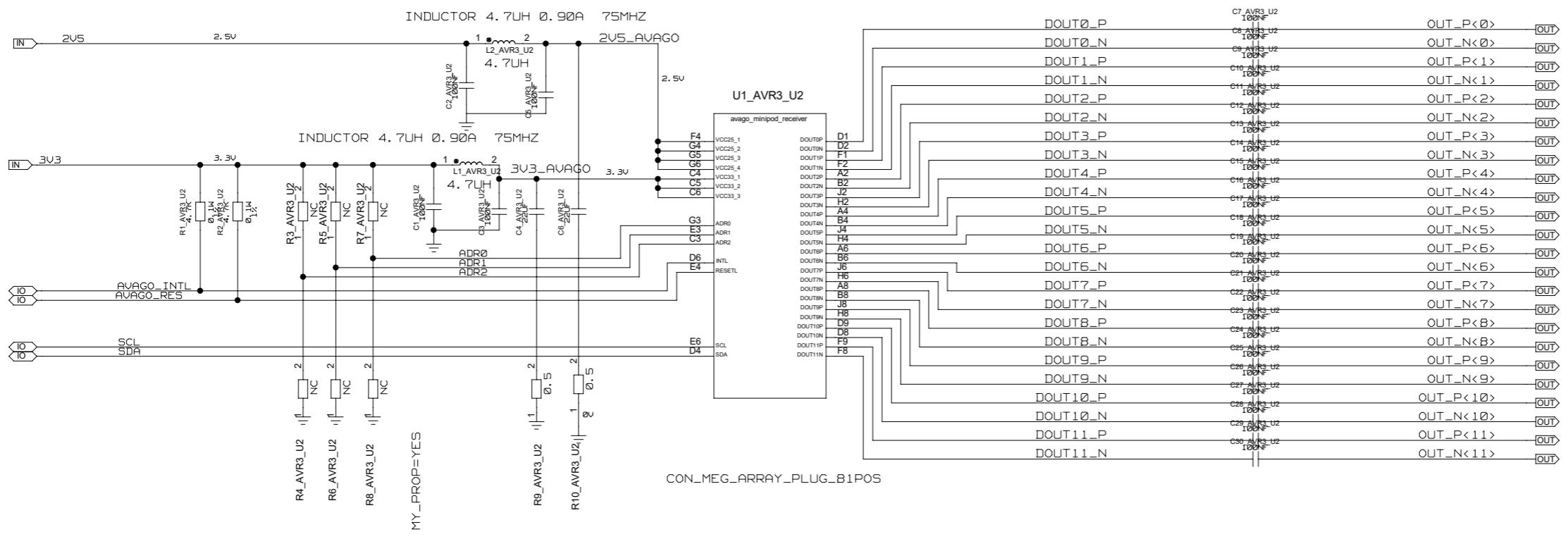
UNIVERSITY OF MAINZ		DRAWING TITLE	
		AVAGO RECEIVER	
SIZE	REV.	DRAWING NO.	
C			
SCALE		SHEET	OF

REVISIONS				
ZONE	LTR	DESCRIPTION	DATE	APPR.



UNIVERSITY OF MAINZ		DRAWING TITLE	
		AVAGO RECEIVER	
SIZE	REV.	DRAWING NO.	
C			
SCALE		SHEET	OF

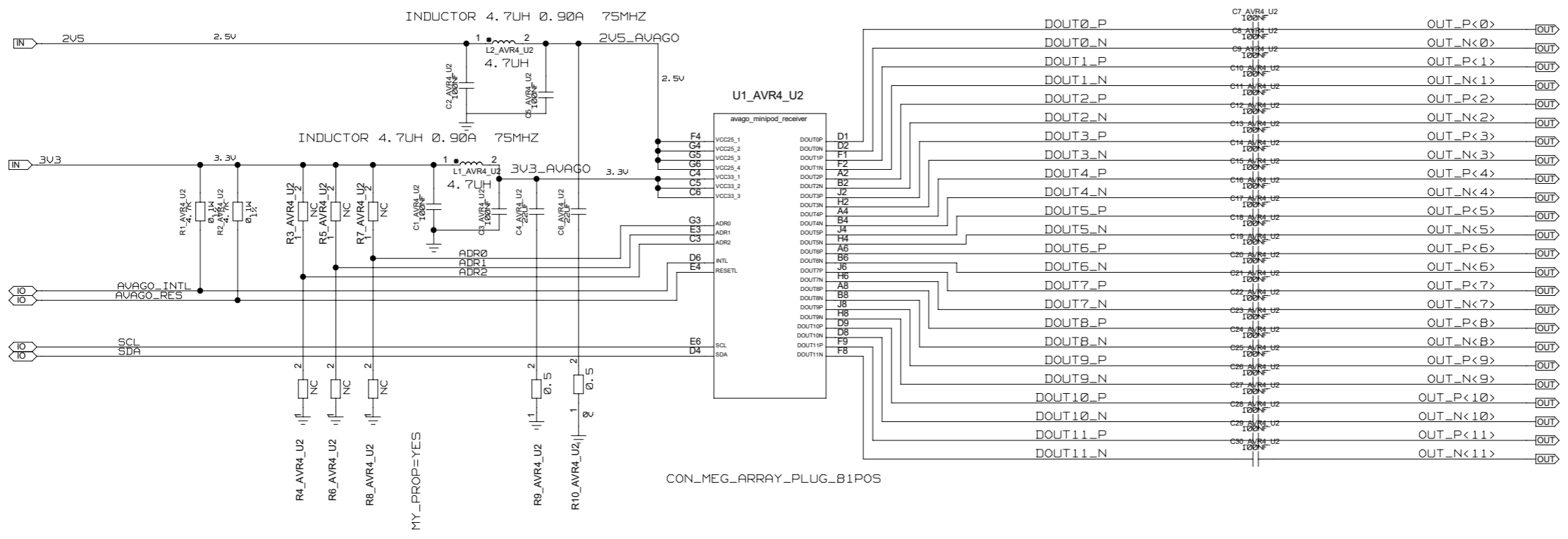
REVISIONS				
ZONE	LTR	DESCRIPTION	DATE	APPR.



UNIVERSITY OF MAINZ		DRAWING TITLE	
		AVAGO RECEIVER	
SIZE	REV.	DRAWING NO.	
C			
SCALE		SHEET	OF

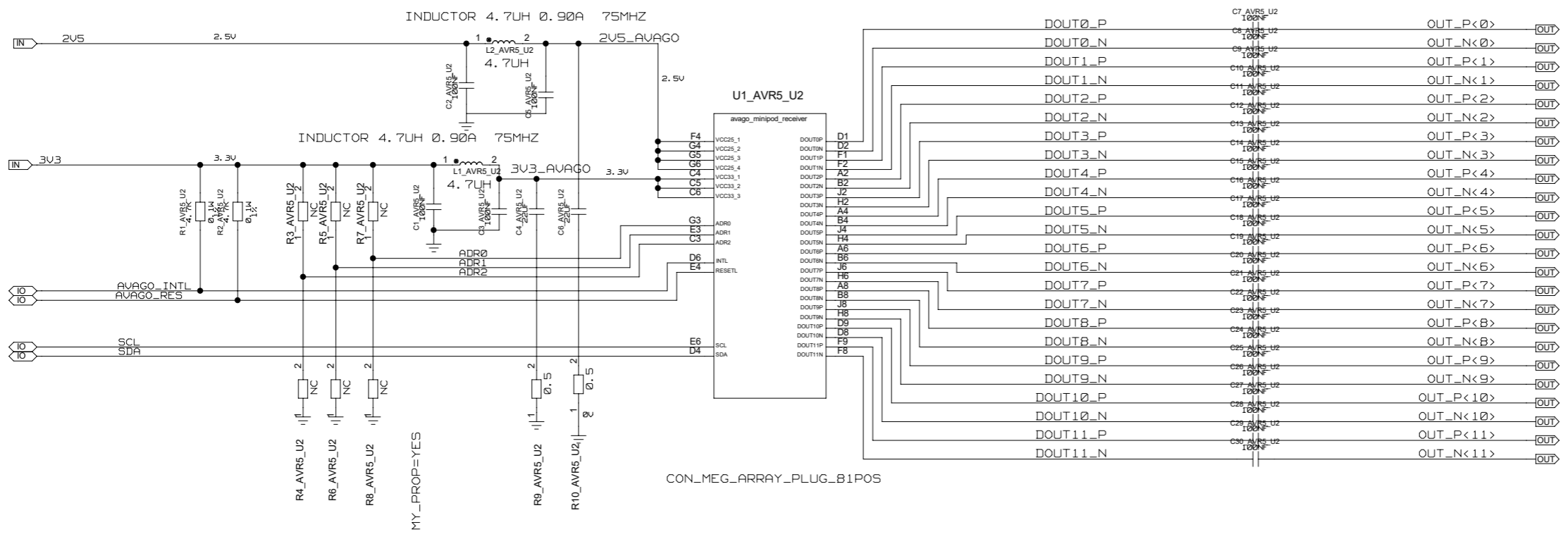


REVISIONS				
ZONE	LTR	DESCRIPTION	DATE	APPR.



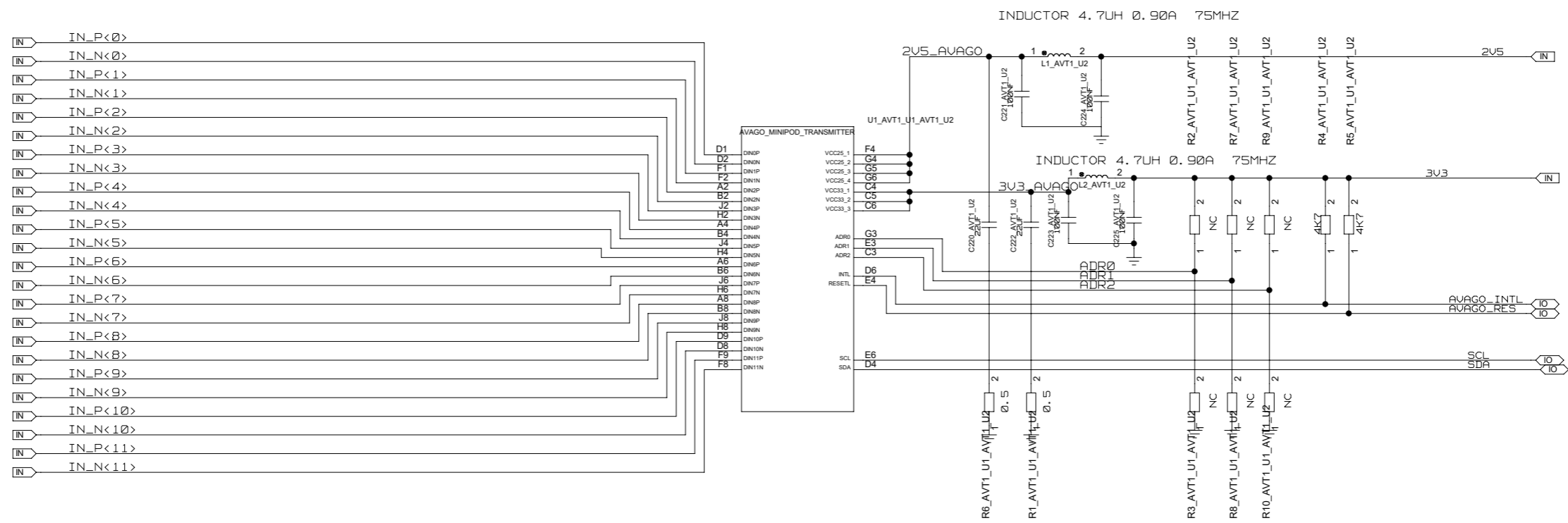
UNIVERSITY OF MAINZ		DRAWING TITLE	
		AVAGO RECEIVER	
SIZE	REV.	DRAWING NO.	
<b>C</b>			
SCALE		SHEET	OF

REVISIONS				
ZONE	LTR	DESCRIPTION	DATE	APPR.



UNIVERSITY OF MAINZ		DRAWING TITLE	
		AVAGO RECEIVER	
SIZE	REV.	DRAWING NO.	
C			
SCALE		SHEET	OF

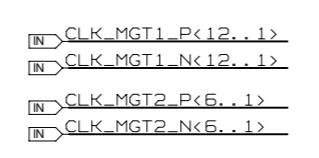
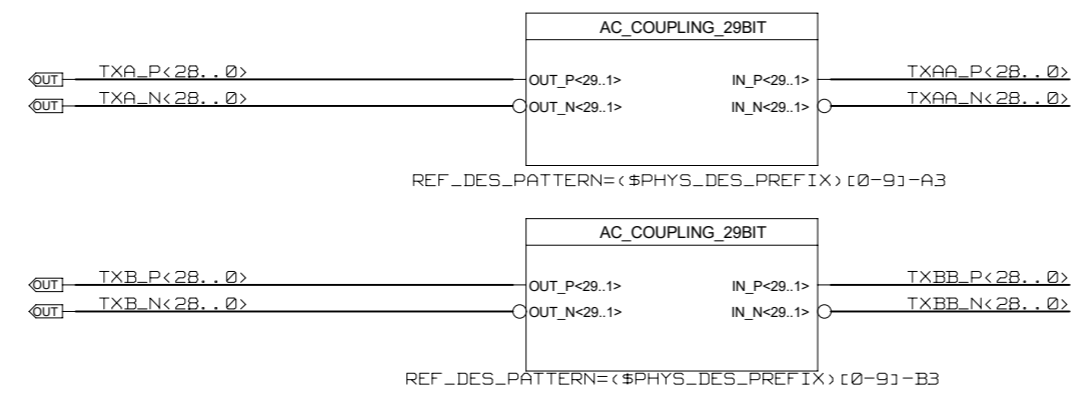
REVISIONS				
ZONE	LTR	DESCRIPTION	DATE	APPR.



UNIVERSITY OF MAINZ		DRAWING TITLE	
		AVAGO TRANSMITTER	
SIZE	REV.	DRAWING NO.	
C			
SCALE			SHEET OF

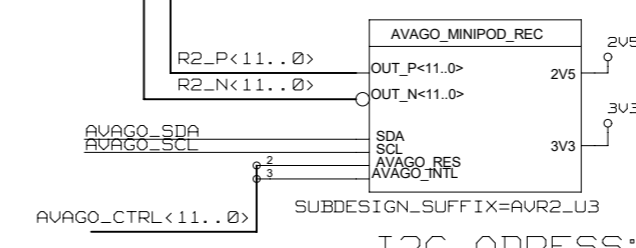
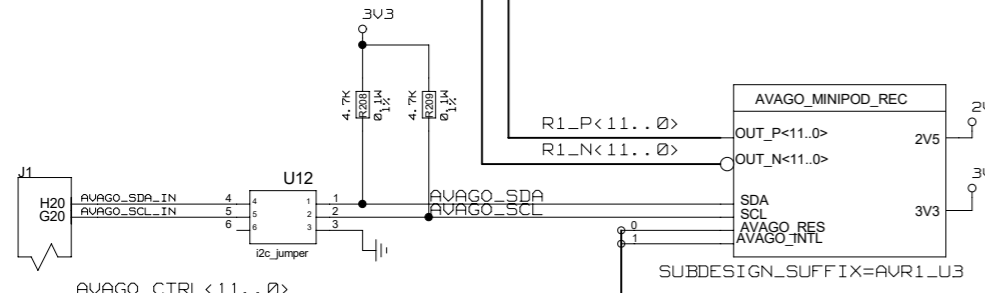
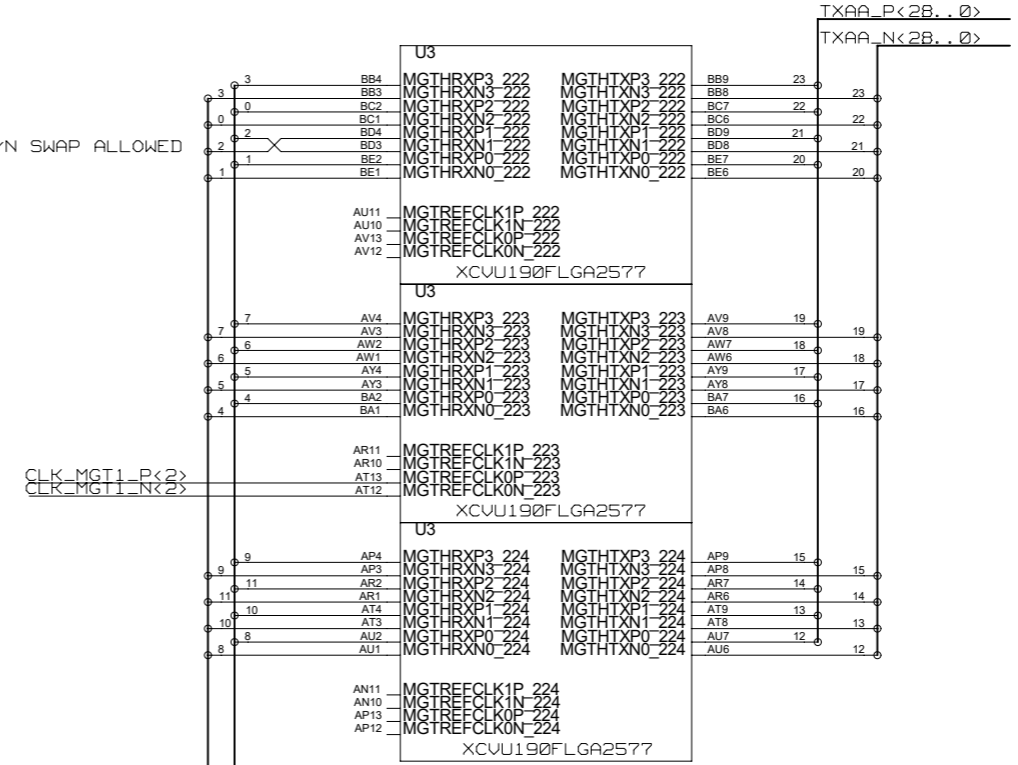
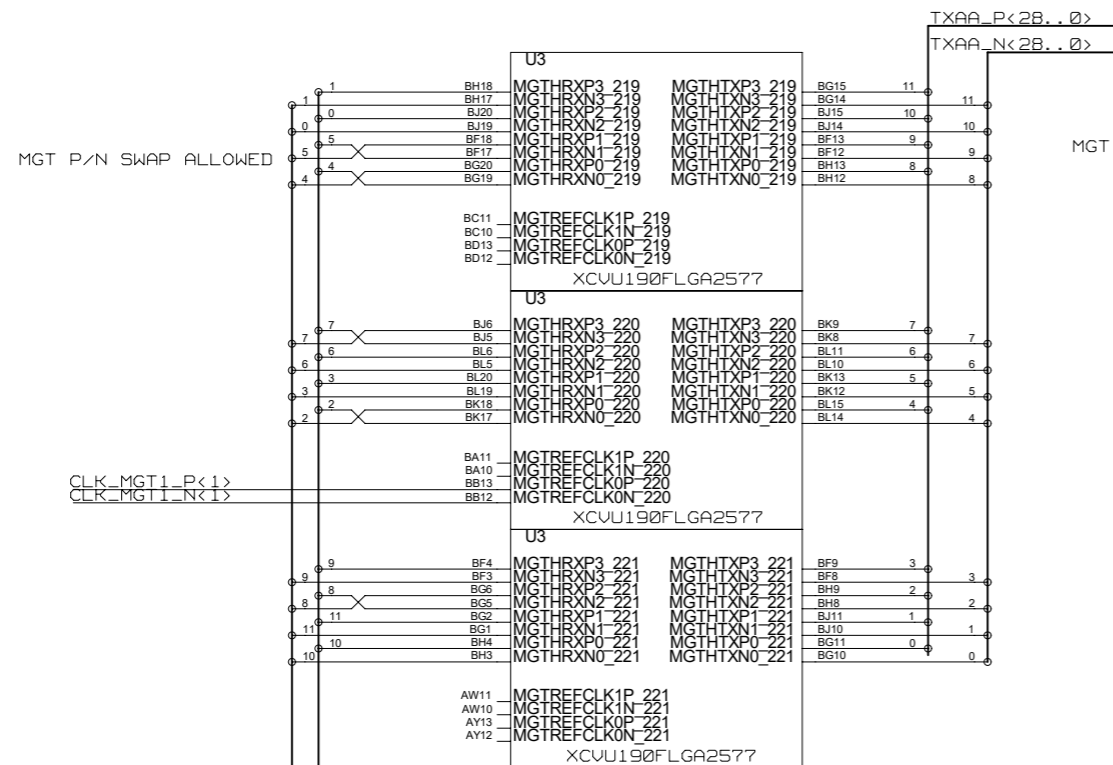
REVISIONS				
ZONE	LTR	DESCRIPTION	DATE	APPR.

### AC COUPLING



CHECKED	J.V.DE SOUZA			DRAWING TITLE <b>I/O + AC COUPLING</b>
CHECKED	U.SCHAEFER			
CHECKED	S.RAVE			
DRAWN	BAUSS	07.08.2015		
BLOCK TITLE <b>U3_MGT_REAL_TIME</b>				SIZE <b>C</b>
UNIVERSITY OF MAINZ				REV.
SCALE				DRAWING NO.
SHEET 1 OF 7				

REVISIONS				
ZONE	LTR	DESCRIPTION	DATE	APPR.



AVAGO\_CTRL<11..0>  
 AVAGO\_CTRL 0, 2, 4, 6, 8, 10 = AVAGO\_RES\_XX  
 AVAGO\_CTRL 1, 3, 5, 7, 9, 11 = AVAGO\_INTL\_XX

I2C ADDRESS:  
 R3=XXX R4=XXX  
 R5=XXX R6=XXX  
 R7=XXX R8=XXX

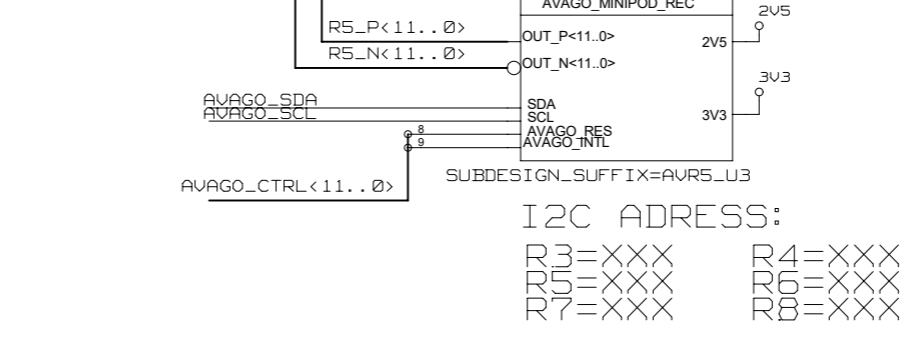
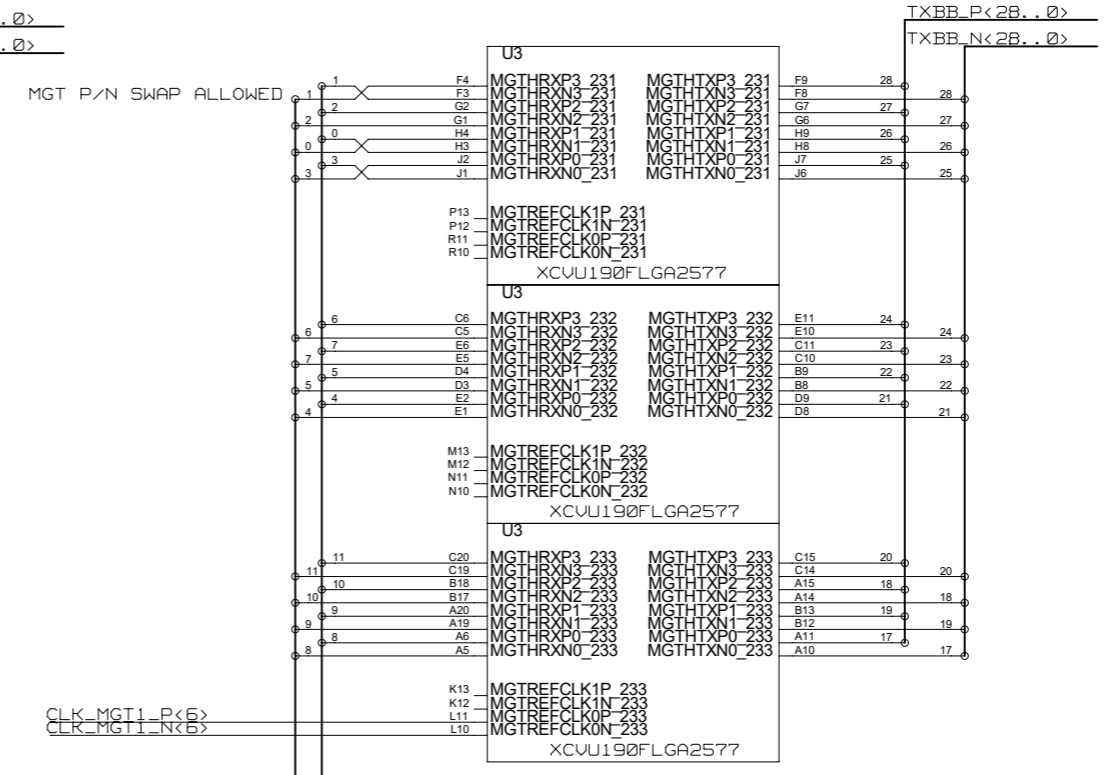
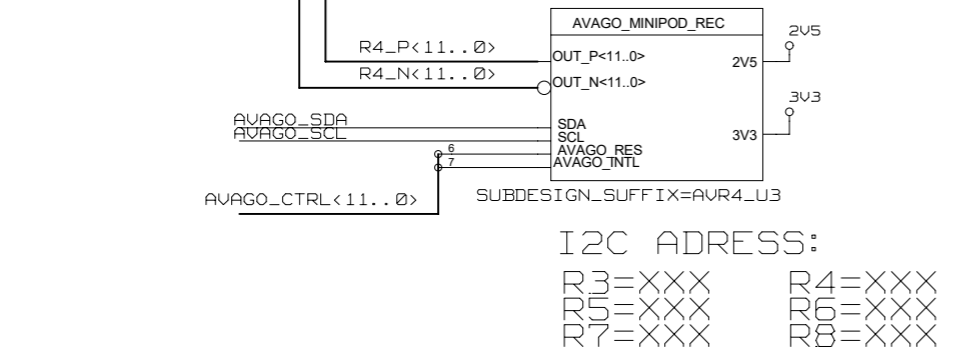
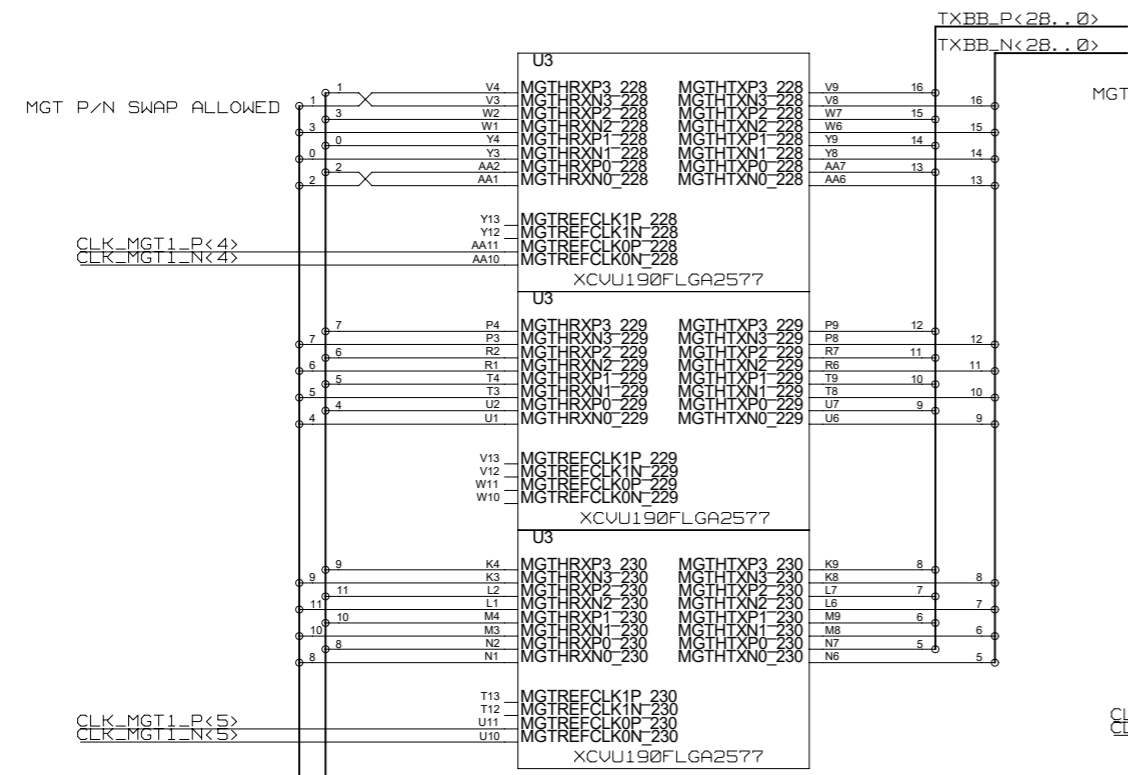
I2C ADDRESS:  
 R3=XXX R4=XXX  
 R5=XXX R6=XXX  
 R7=XXX R8=XXX

BANK
210
209
208
207
206
205
204
203
202
201
200

NAME	DATE	SIGN	DRAWING TITLE		
CHECKED J.V.DE SOUZA			AVAGO TXA		
CHECKED U.SCHAEFER					
CHECKED S.RAVE					
DRAWN BAUSS	07.08.2015				
BLOCK TITLE			SIZE	REV.	DRAWING NO.
U3_MGT_REAL_TIME			C		
UNIVERSITY OF MAINZ			SCALE		SHEET 2 OF 7



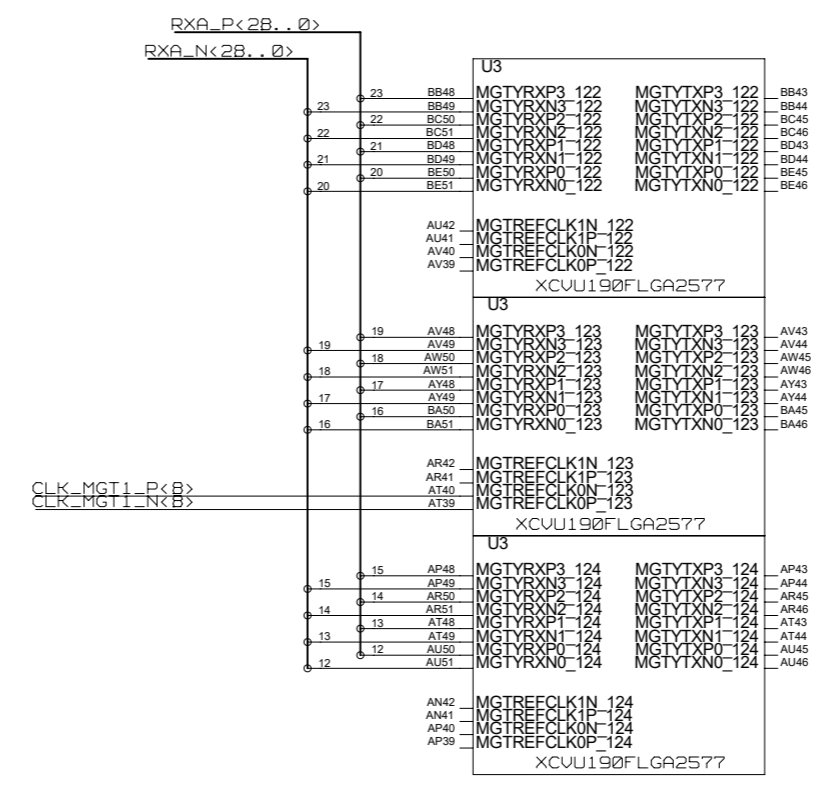
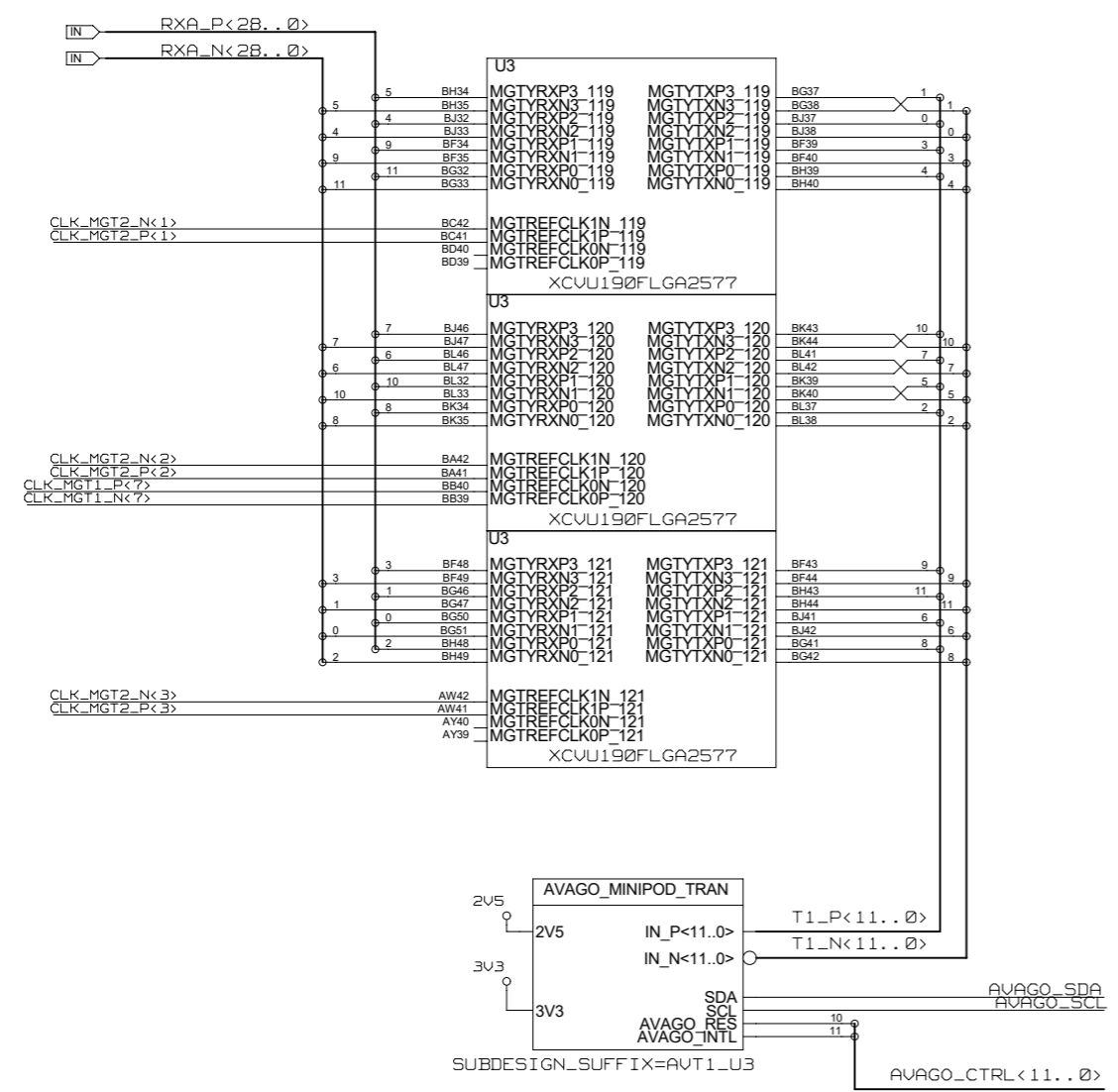
REVISIONS				
ZONE	LTR	DESCRIPTION	DATE	APPR.



BANK  
R3  
R4  
R5  
R6  
R7  
R8

NAME	DATE	SIGN	DRAWING TITLE		
CHECKED J. V. DE SOUZA			AVAGO TXB		
CHECKED U.SCHAEFER					
CHECKED S.RAVE					
DRAWN BAUSS	07.08.2015				
BLOCK TITLE			SIZE	REV.	DRAWING NO.
U3_MGT_REAL_TIME			C		
UNIVERSITY OF MAINZ			SCALE		SHEET 4 OF 7

REVISIONS				
ZONE	LTR	DESCRIPTION	DATE	APPR.



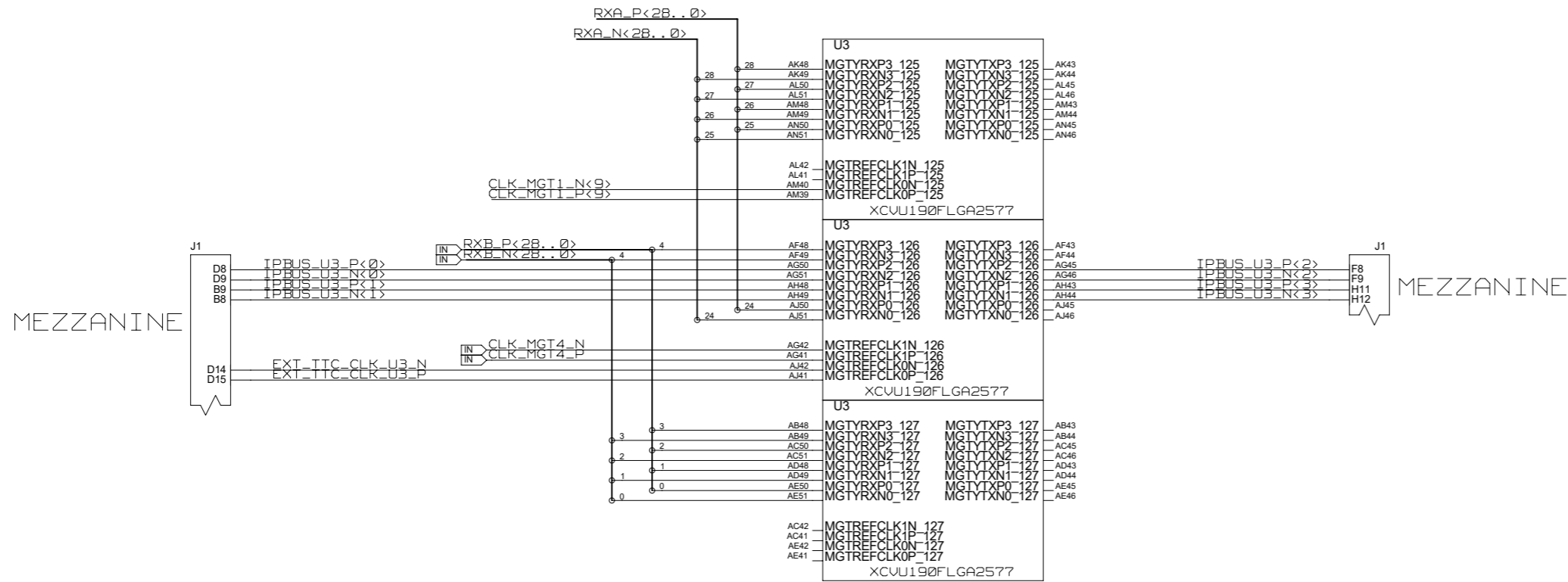
I2C ADDRESS:  
R3=XXX R4=XXX  
R5=XXX R6=XXX  
R7=XXX R8=XXX

BANK
110
120
130
140
150
160
170
180
190

NAME	DATE	SIGN	DRAWING TITLE		
CHECKED	J.V.DE SOUZA		<b>AVAGO RXA</b>		
CHECKED	U.SCHAEFER				
CHECKED	S.RAVE				
DRAWN	BAUSS	07.08.2015			
BLOCK TITLE			SIZE	REV.	DRAWING NO.
U3_MGT_REAL_TIME			<b>C</b>		
UNIVERSITY OF MAINZ			SCALE		SHEET 5 OF 7



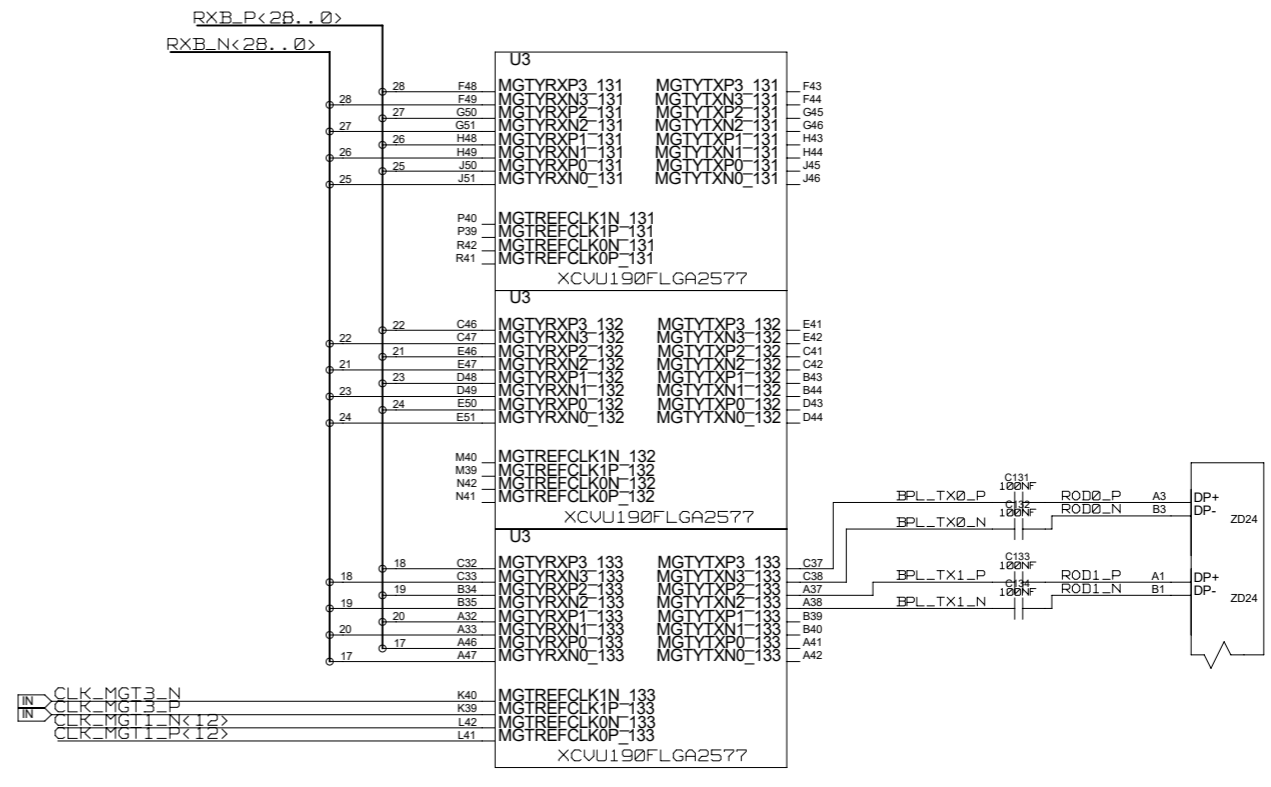
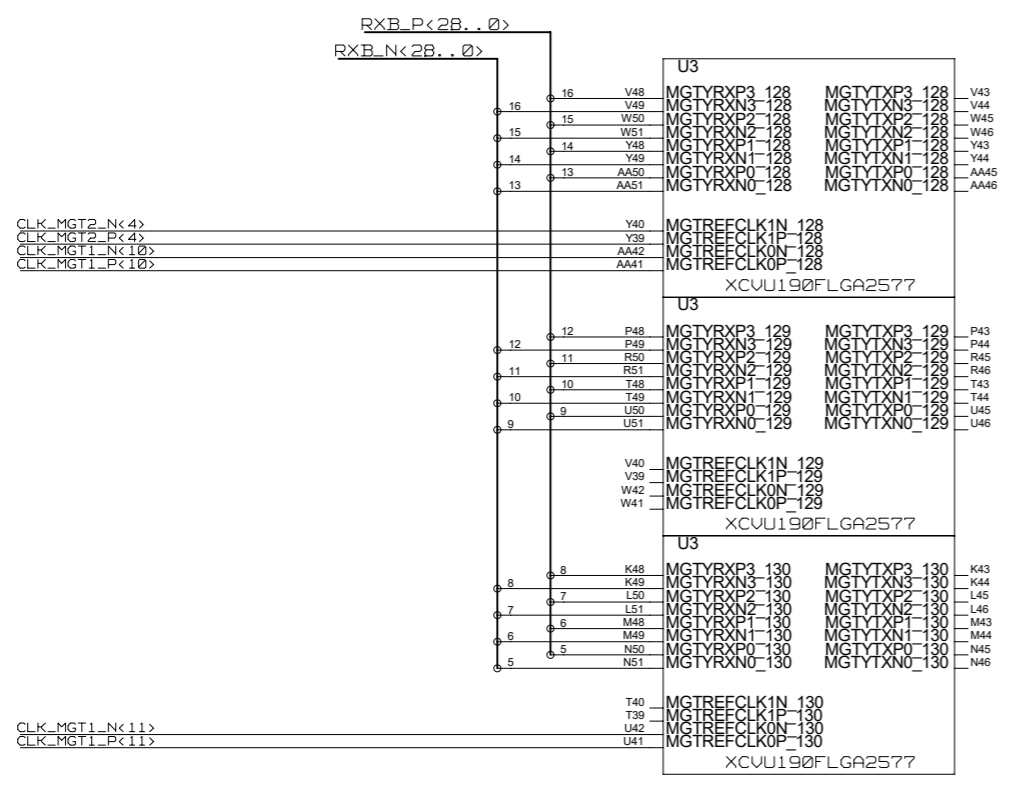
REVISIONS				
ZONE	LTR	DESCRIPTION	DATE	APPR.



BANK
125
126
127

CHECKED	J. V. DE SOUZA			DRAWING TITLE <b>RXA + RXB TXD + IPBUS</b>
CHECKED	U. SCHAEFER			
CHECKED	S. RAVE			
DRAWN	BAUSS	07.08.2015		
BLOCK TITLE U3_MGT_REAL_TIME				
UNIVERSITY OF MAINZ				SIZE <b>C</b>
				REV.
				DRAWING NO.
				SCALE
				SHEET 6 OF 7

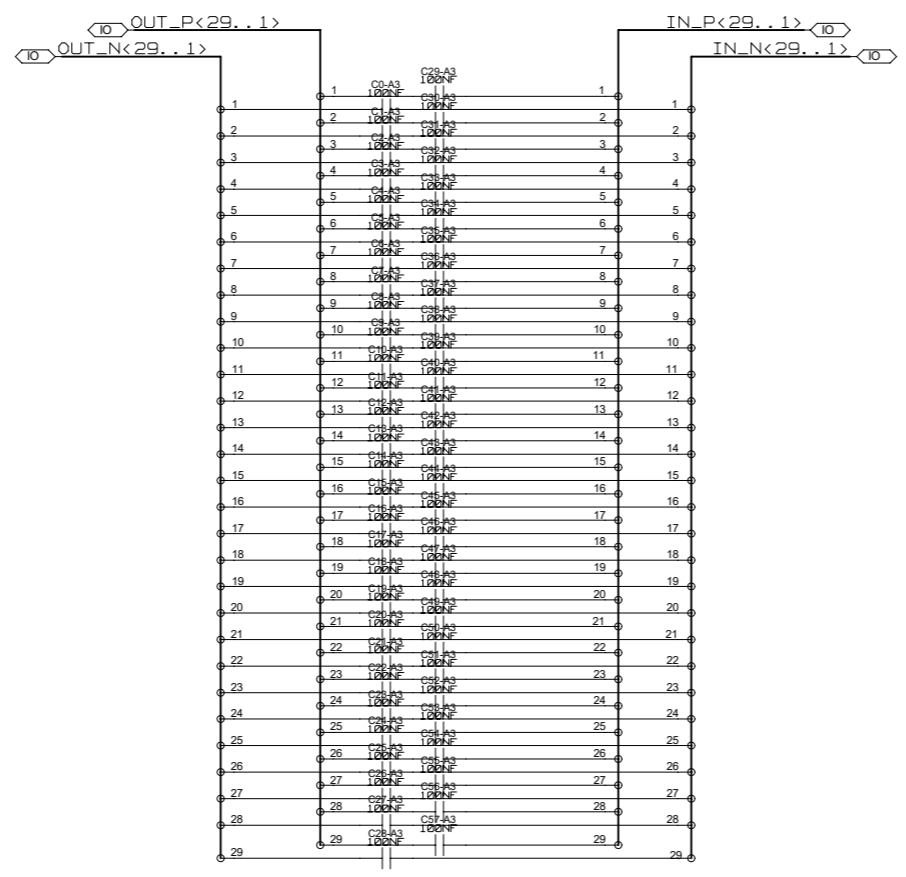
REVISIONS				
ZONE	LTR	DESCRIPTION	DATE	APPR.



BANK
128
129
130
131
132
133
134
135
136
137
138

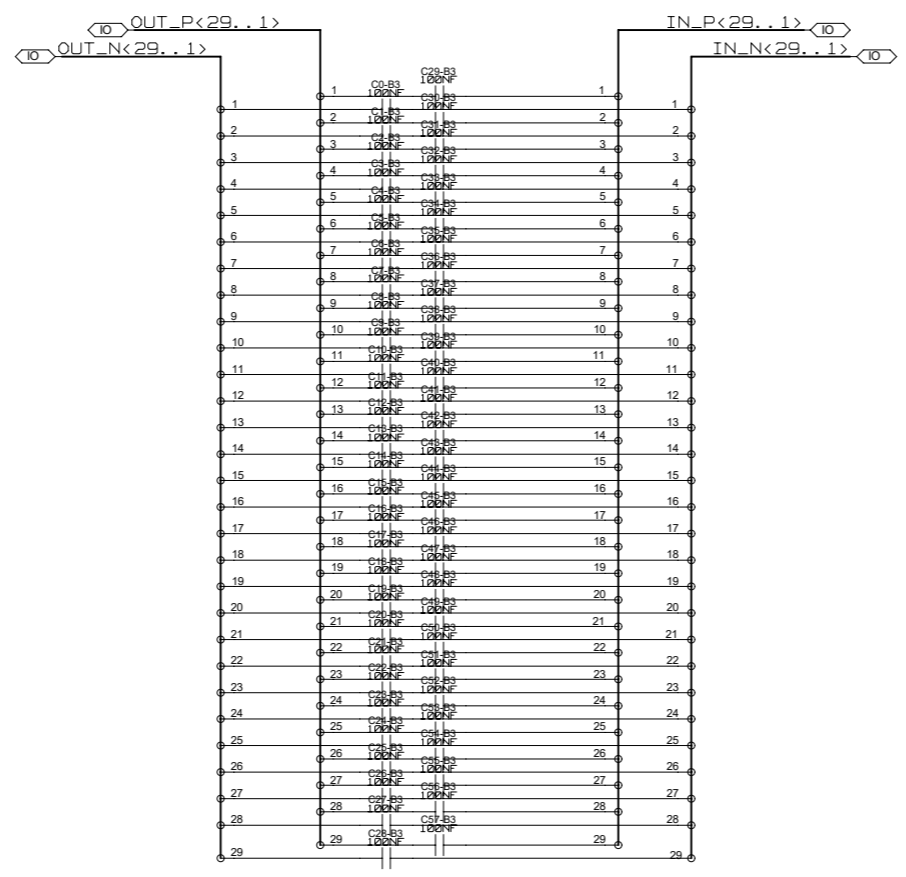
NAME	DATE	SIGN	DRAWING TITLE
CHECKED J. V. DE SOUZA			RXB + TXC
CHECKED U. SCHAEFER			
CHECKED S. RAVE			
DRAWN BAUSS	07.08.2015		
BLOCK TITLE			
U3_MGT_REAL_TIME			
UNIVERSITY OF MAINZ		SIZE C	REV.
SCALE		DRAWING NO.	
			SHEET 7 OF 7

REVISIONS				
ZONE	LTR	DESCRIPTION	DATE	APPR.



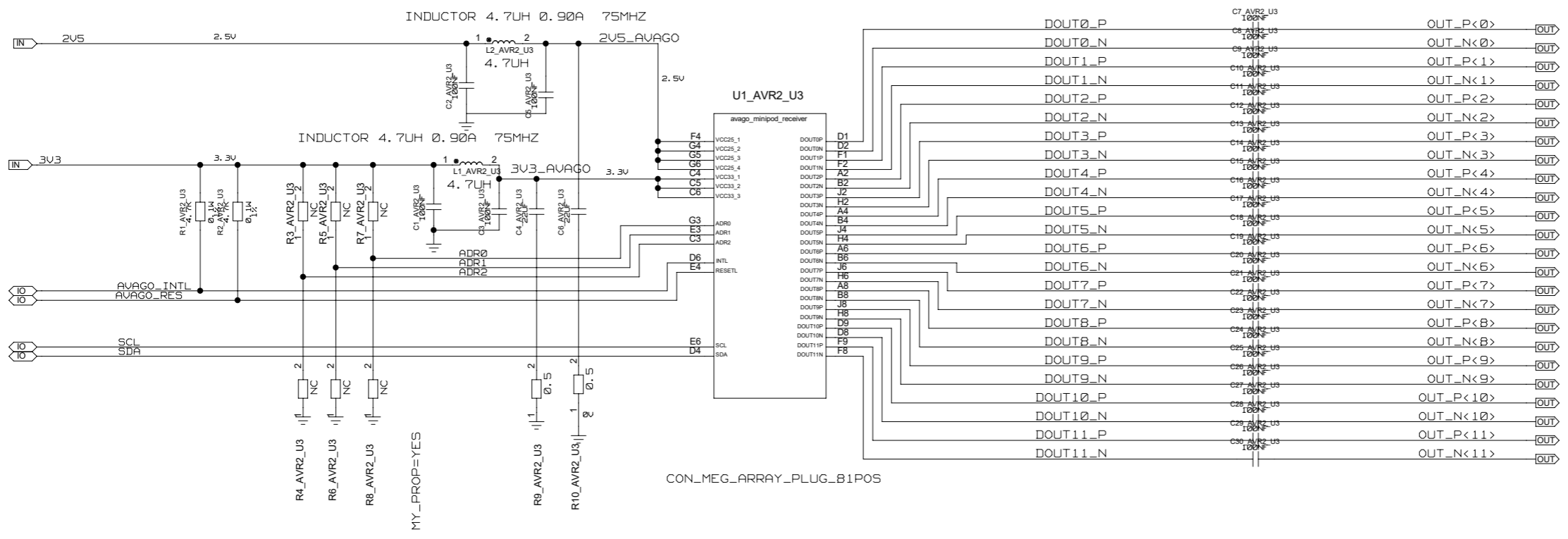
CHECKED	NAME	DATE	SIGN	DRAWING TITLE	
CHECKED	J. V. DE SOUZA			AC COUPLING 29BIT	
CHECKED	U. SCHAEFER				
CHECKED	S. RAVE				
DRAWN	BAUSS			BLOCK TITLE	
UNIVERSITY OF MAINZ				SIZE	DRAWING NO.
				<b>C</b>	REV.
SCALE			SHEET		OF

REVISIONS				
ZONE	LTR	DESCRIPTION	DATE	APPR.



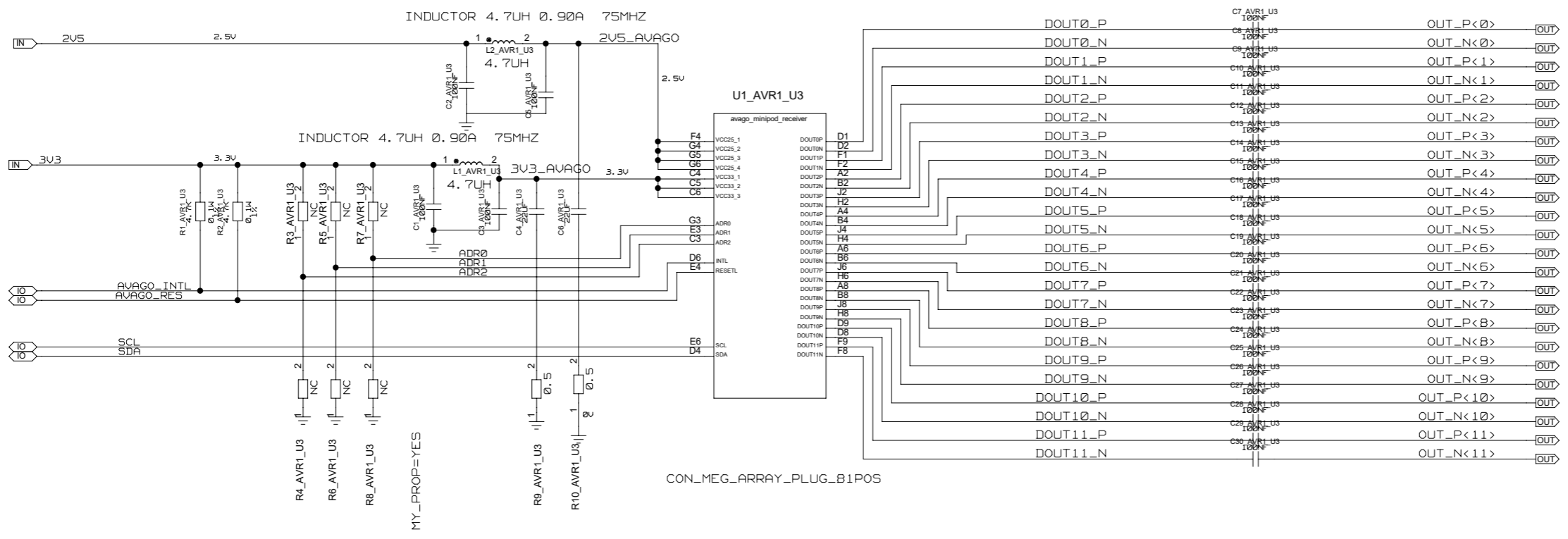
CHECKED	NAME	DATE	SIGN	DRAWING TITLE	
CHECKED	J.V.DE SOUZA			AC COUPLING 29BIT	
CHECKED	U.SCHAEFER				
CHECKED	S.RAVE				
DRAWN	BAUSS				
BLOCK TITLE				SIZE	DRAWING NO.
UNIVERSITY OF MAINZ				<b>C</b>	REV.
				SCALE	SHEET OF

REVISIONS				
ZONE	LTR	DESCRIPTION	DATE	APPR.



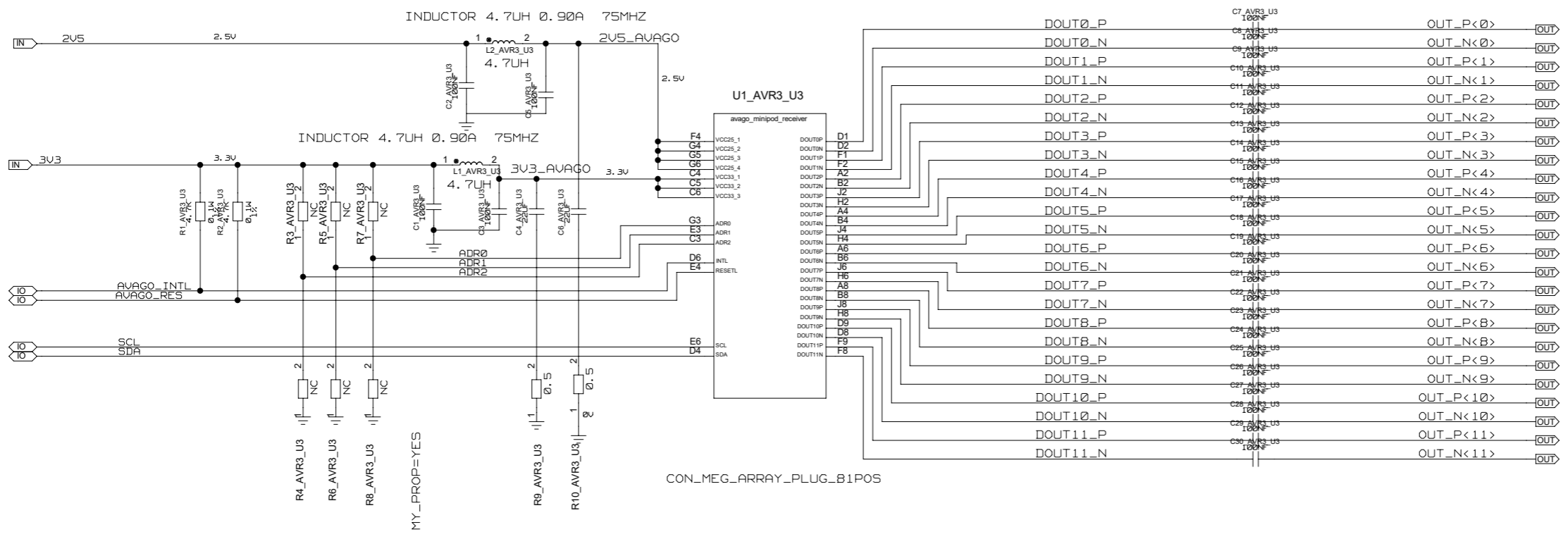
UNIVERSITY OF MAINZ		DRAWING TITLE	
		AVAGO RECEIVER	
SIZE	REV.	DRAWING NO.	
C			
SCALE		SHEET	OF

REVISIONS				
ZONE	LTR	DESCRIPTION	DATE	APPR.



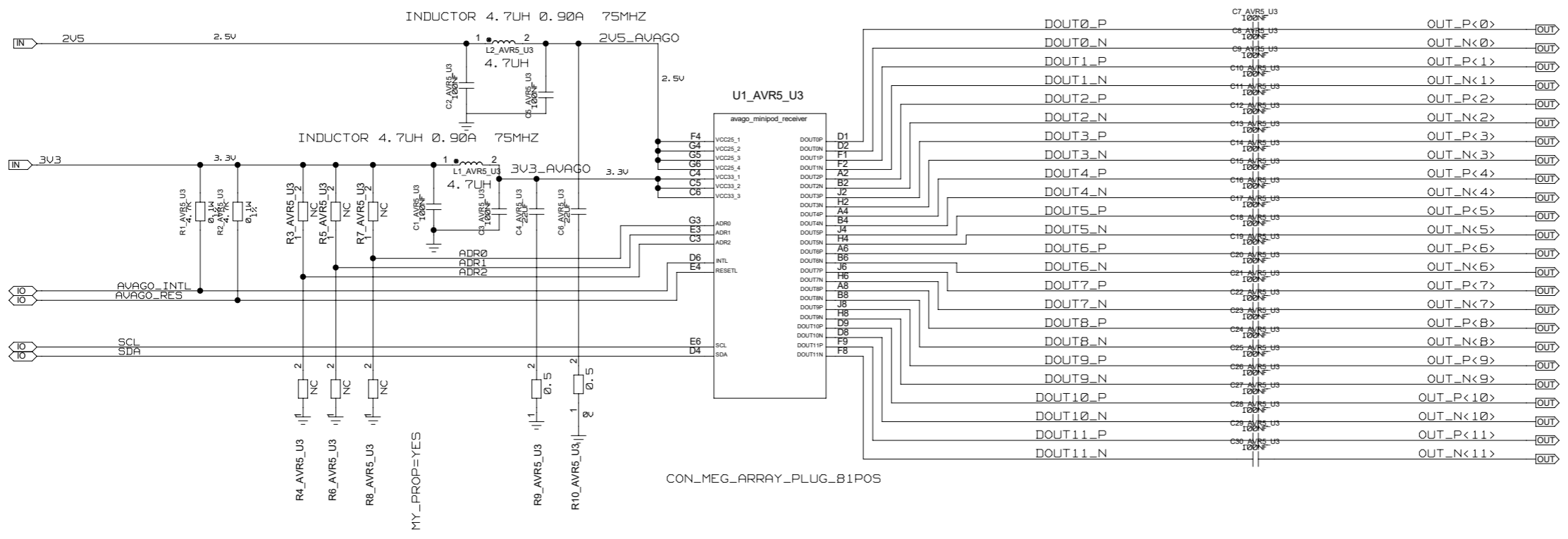
UNIVERSITY OF MAINZ		DRAWING TITLE	
		AVAGO RECEIVER	
SIZE	REV.	DRAWING NO.	
<b>C</b>			
SCALE		SHEET	OF

REVISIONS				
ZONE	LTR	DESCRIPTION	DATE	APPR.



UNIVERSITY OF MAINZ		DRAWING TITLE	
		AVAGO RECEIVER	
SIZE	REV.	DRAWING NO.	
<b>C</b>			
SCALE		SHEET	OF

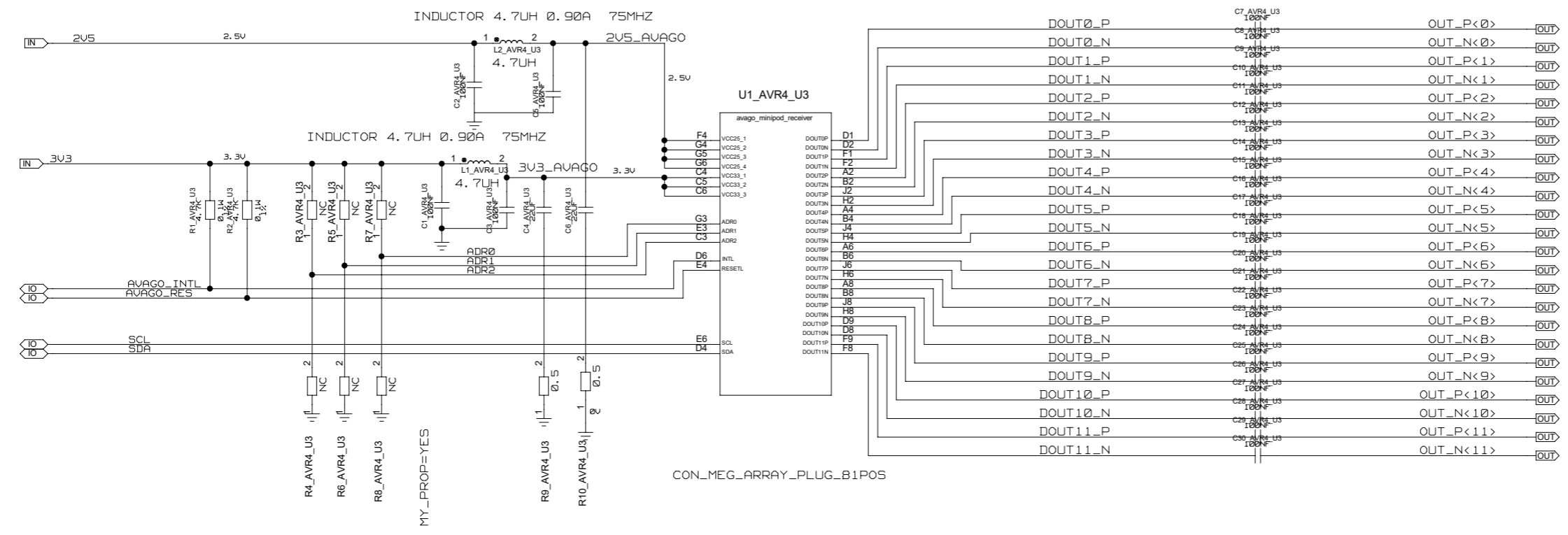
REVISIONS				
ZONE	LTR	DESCRIPTION	DATE	APPR.



UNIVERSITY OF MAINZ		DRAWING TITLE	
		AVAGO RECEIVER	
SIZE	REV.	DRAWING NO.	
C			
SCALE		SHEET	OF

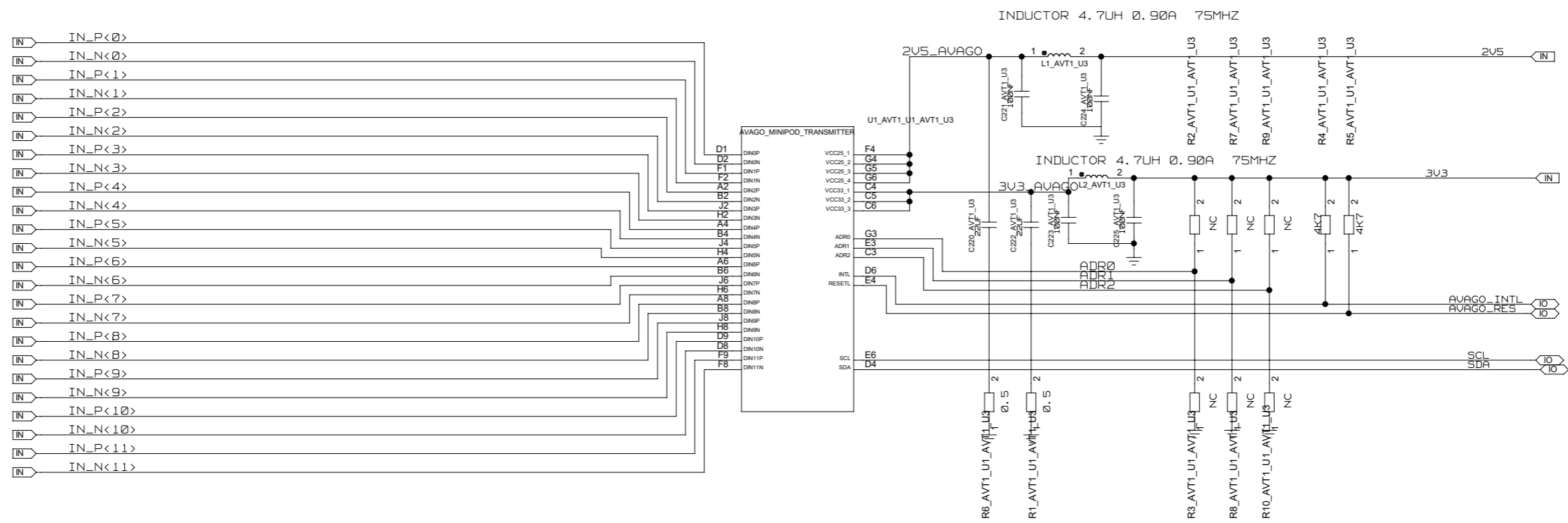


REVISIONS				
ZONE	LTR	DESCRIPTION	DATE	APPR.



UNIVERSITY OF MAINZ		DRAWING TITLE	
		AVAGO RECEIVER	
SIZE	REV.	DRAWING NO.	
<b>C</b>			
SCALE		SHEET	OF

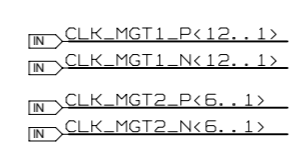
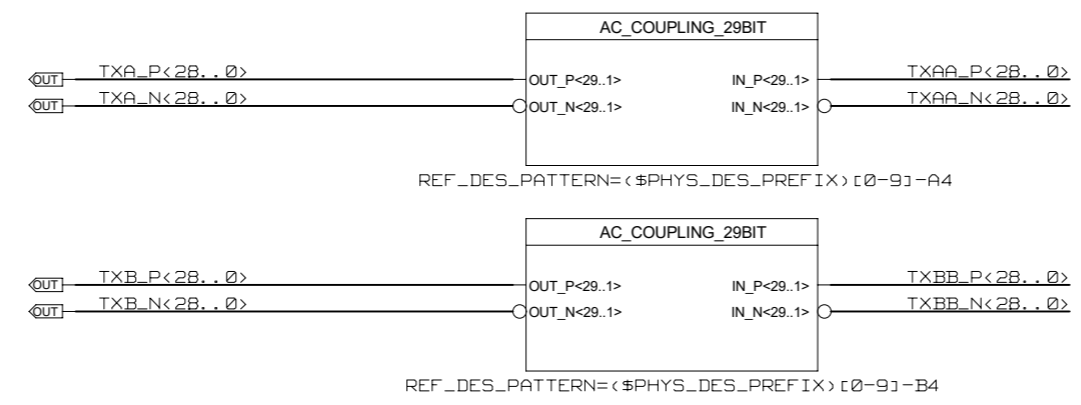
REVISIONS				
ZONE	LTR	DESCRIPTION	DATE	APPR.



UNIVERSITY OF MAINZ		DRAWING TITLE	
		AVAGO TRANSMITTER	
SIZE	REV.	DRAWING NO.	
C			
SCALE		SHEET	OF

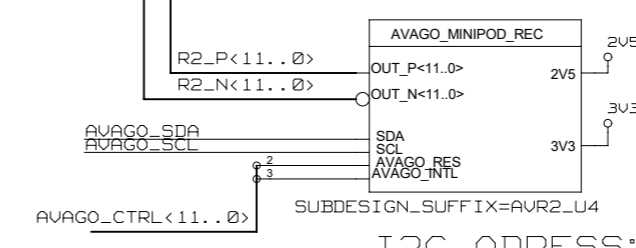
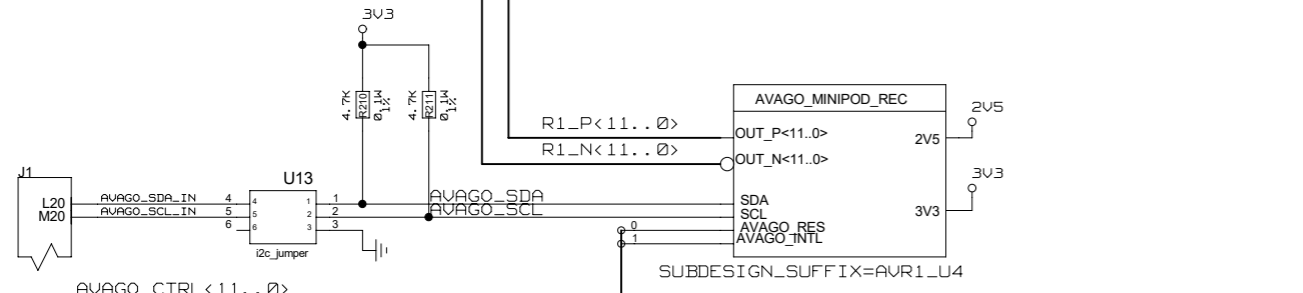
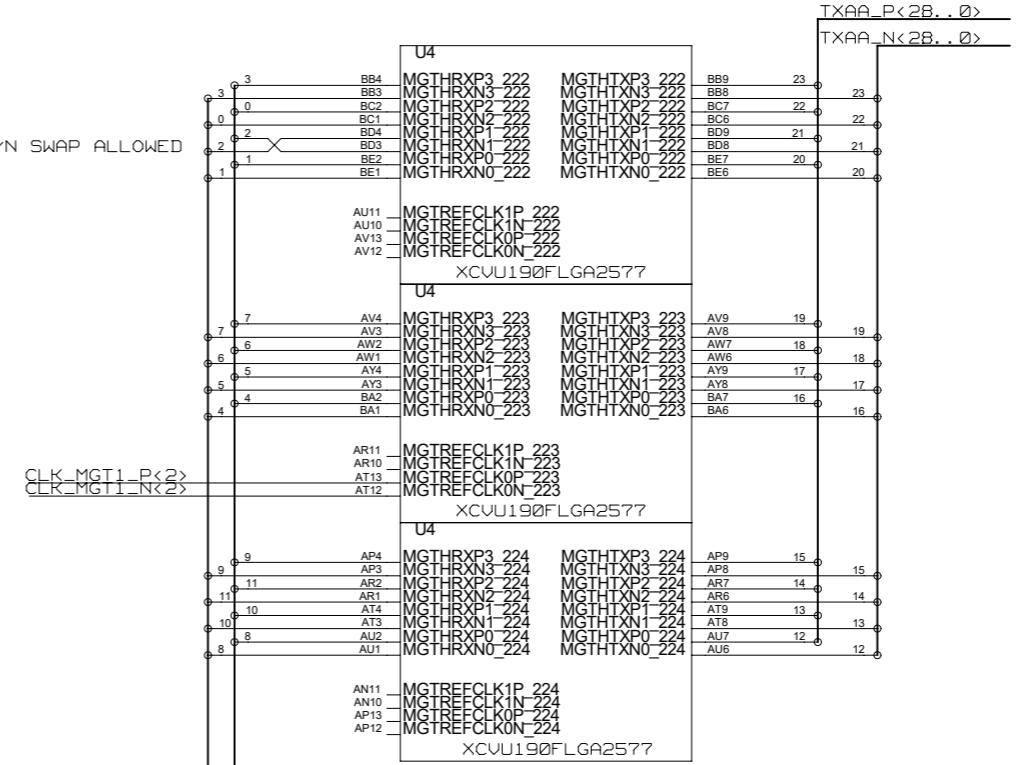
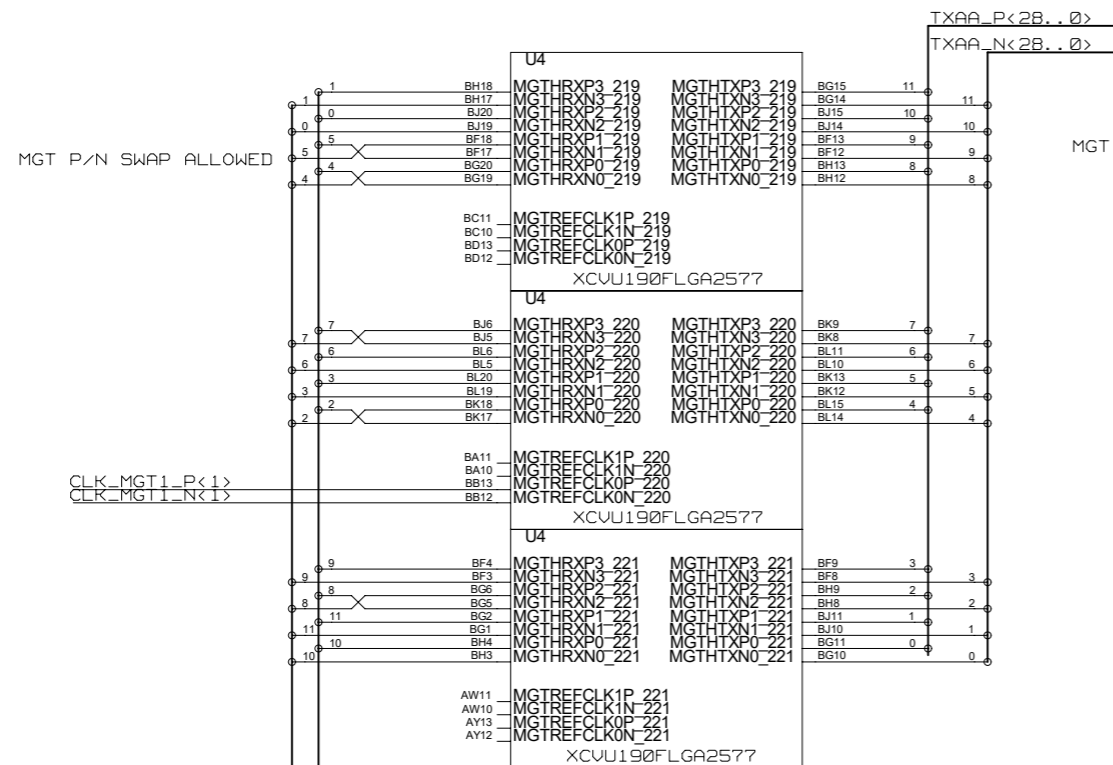
REVISIONS				
ZONE	LTR	DESCRIPTION	DATE	APPR.

### AC COUPLING



CHECKED	J.V. DE SOUZA			DRAWING TITLE <b>I/O + AC COUPLING</b>
CHECKED	U.SCHAEFER			
CHECKED	S.RAVE			
DRAWN	BAUSS	07.08.2015		
BLOCK TITLE <b>U4_MGT_REAL_TIME</b>				SIZE <b>C</b>
UNIVERSITY OF MAINZ				REV.
SCALE				DRAWING NO.
				SHEET 1 OF 7

REVISIONS				
ZONE	LTR	DESCRIPTION	DATE	APPR.



AVAGO\_CTRL<11..0>  
 AVAGO\_CTRL 0, 2, 4, 6, 8, 10 = AVAGO\_RES\_XX  
 AVAGO\_CTRL 1, 3, 5, 7, 9, 11 = AVAGO\_INTL\_XX

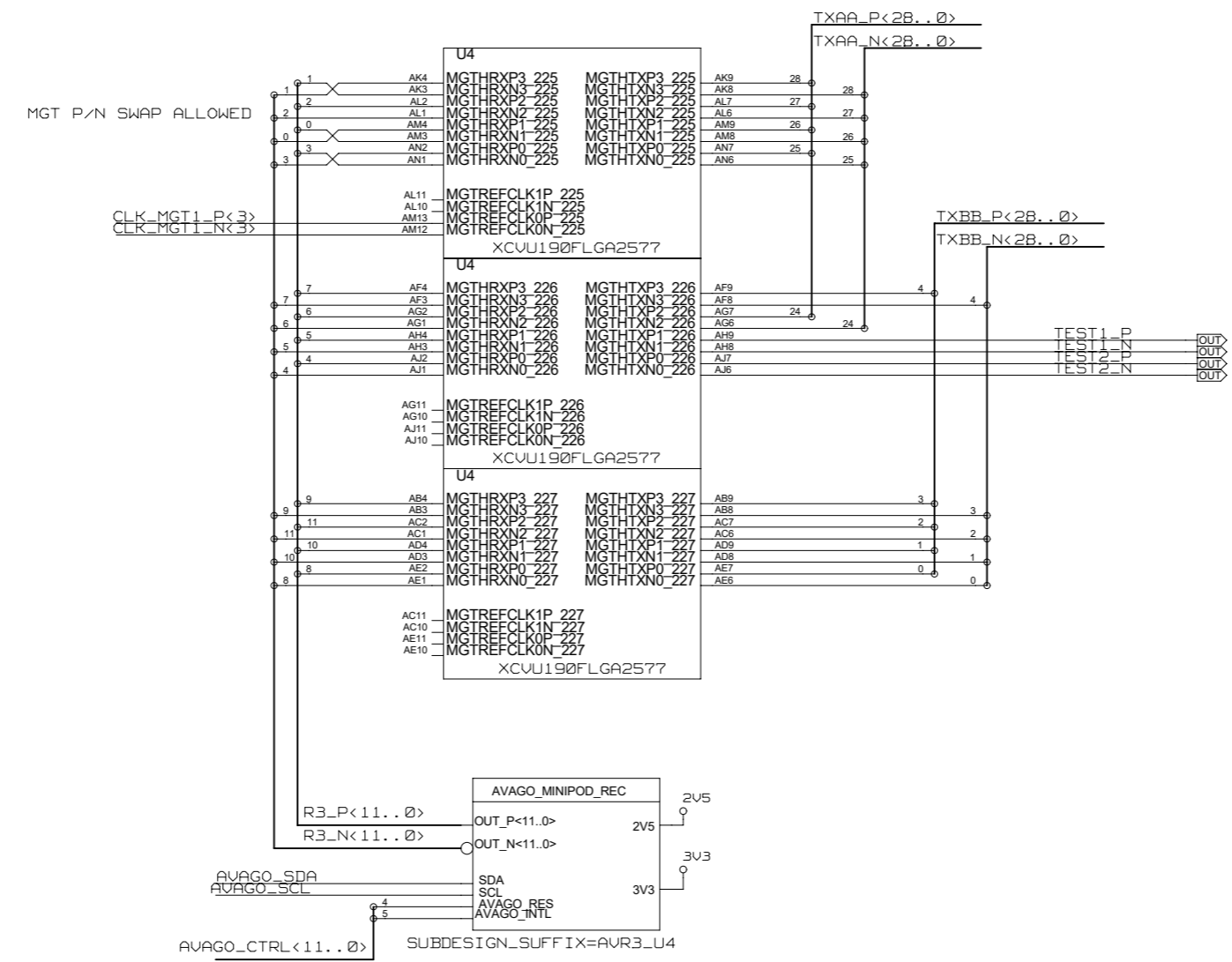
I2C ADDRESS:  
 R3=XXX R4=XXX  
 R5=XXX R6=XXX  
 R7=XXX R8=XXX

I2C ADDRESS:  
 R3=XXX R4=XXX  
 R5=XXX R6=XXX  
 R7=XXX R8=XXX

BANK
210
209
208
207
206
205
204
203
202
201
200

NAME	DATE	SIGN	DRAWING TITLE		
CHECKED J.V. DE SOUZA			AVAGO TXA		
CHECKED U.SCHAEFER					
CHECKED S.RAVE					
DRAWN BAUSS	07.08.2015				
BLOCK TITLE			SIZE	REV.	DRAWING NO.
U4_MGT_REAL_TIME			C		
UNIVERSITY OF MAINZ			SCALE		SHEET 2 OF 7

REVISIONS				
ZONE	LTR	DESCRIPTION	DATE	APPR.



AVAGO\_MINIPOD\_REC

OUT\_P<11..0> 2V5

OUT\_N<11..0> 2V5

SDA 3V3

SCL 3V3

AVAGO\_RES 3V3

AVAGO\_INTL 3V3

SUBDESIGN\_SUFFIX=AVR3\_U4

I2C ADDRESS:

R3=XXX R4=XXX

R5=XXX R6=XXX

R7=XXX R8=XXX

BANK

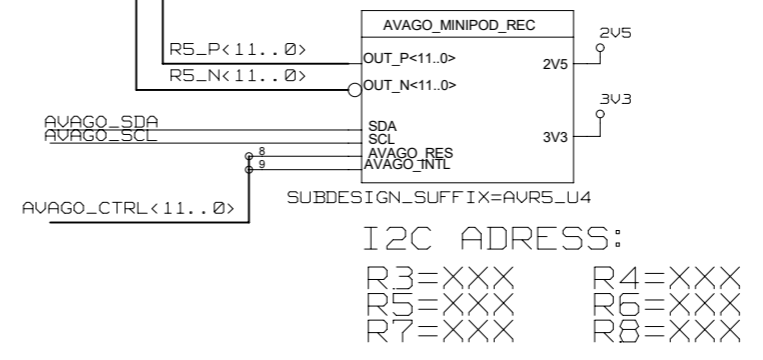
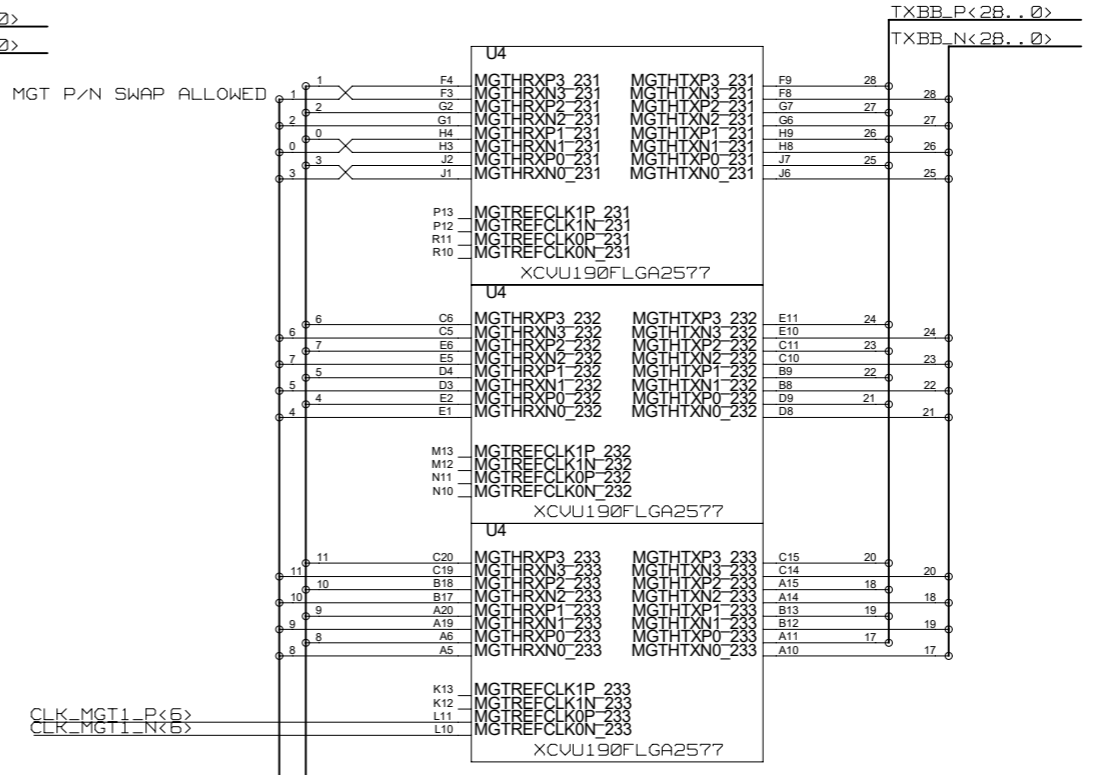
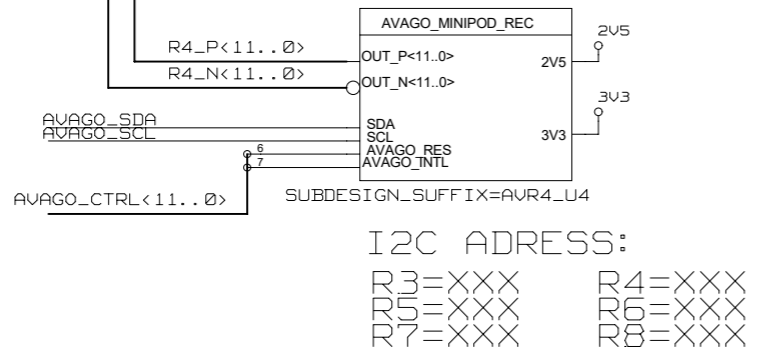
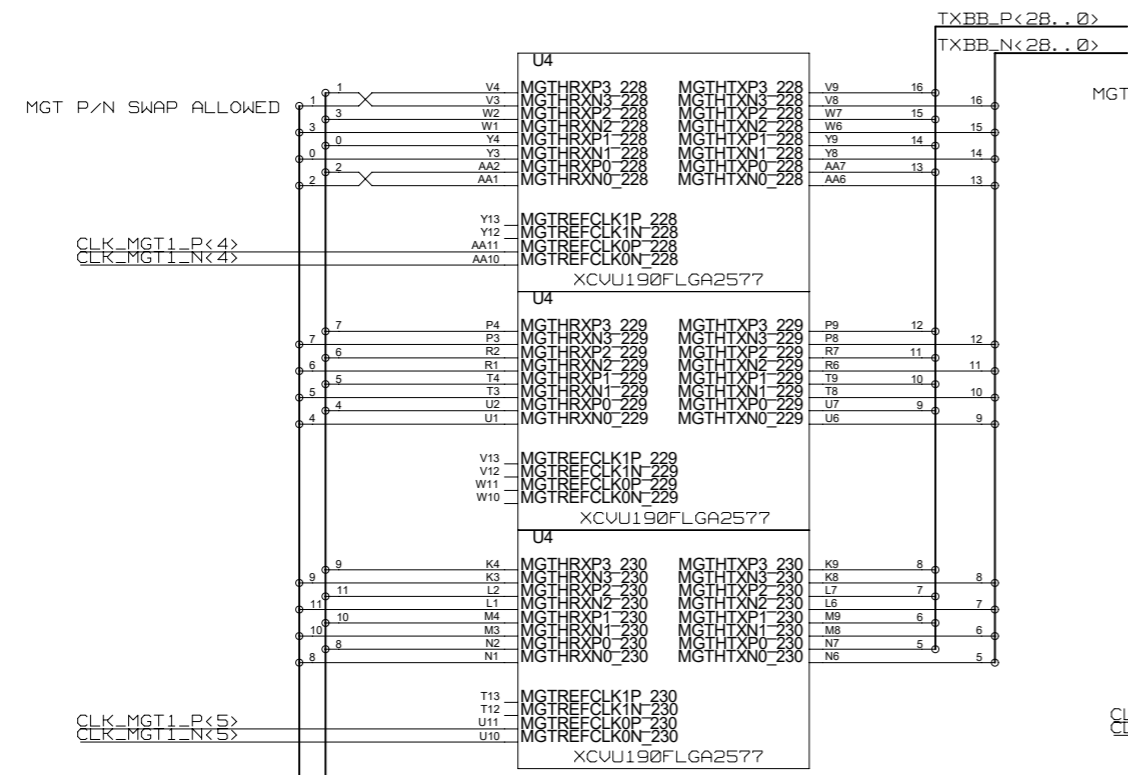
225

226

227

NAME	DATE	SIGN	DRAWING TITLE
CHECKED	J.V.DE SOUZA		AVAGO TXA + TXB
CHECKED	U.SCHAEFER		
CHECKED	S.RAVE		
DRAWN	BAUSS	07.08.2015	
BLOCK TITLE			DRAWING NO.
U4_MGT_REAL_TIME			
UNIVERSITY OF MAINZ		SIZE <b>C</b>	REV.
SCALE		DRAWING NO.	
		SHEET 3 OF 7	

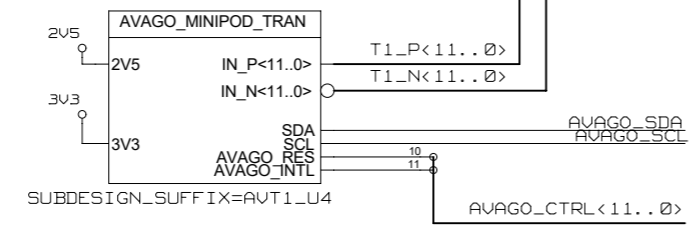
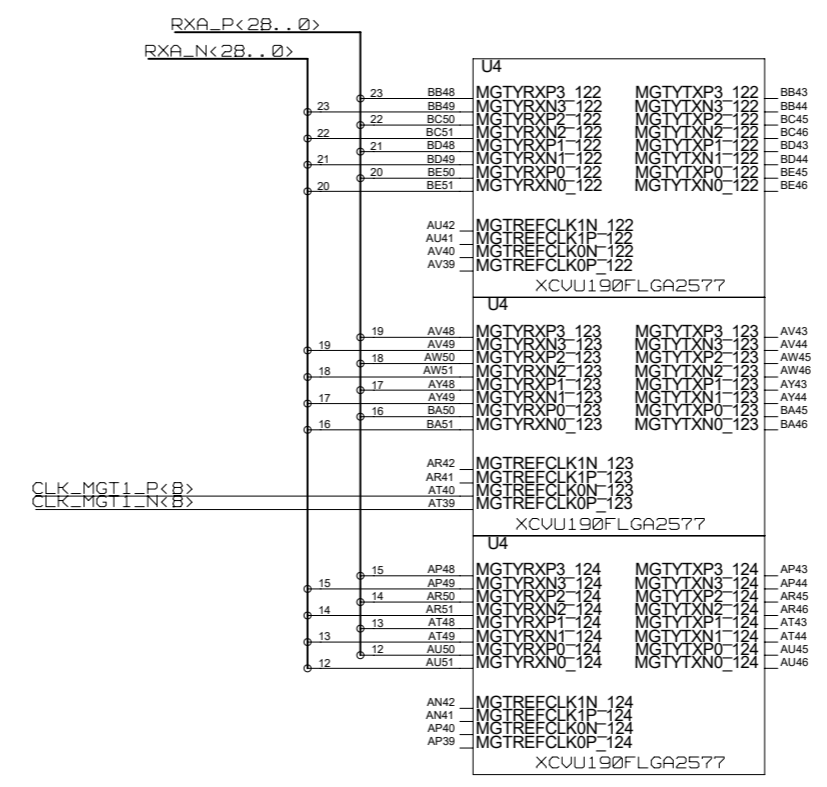
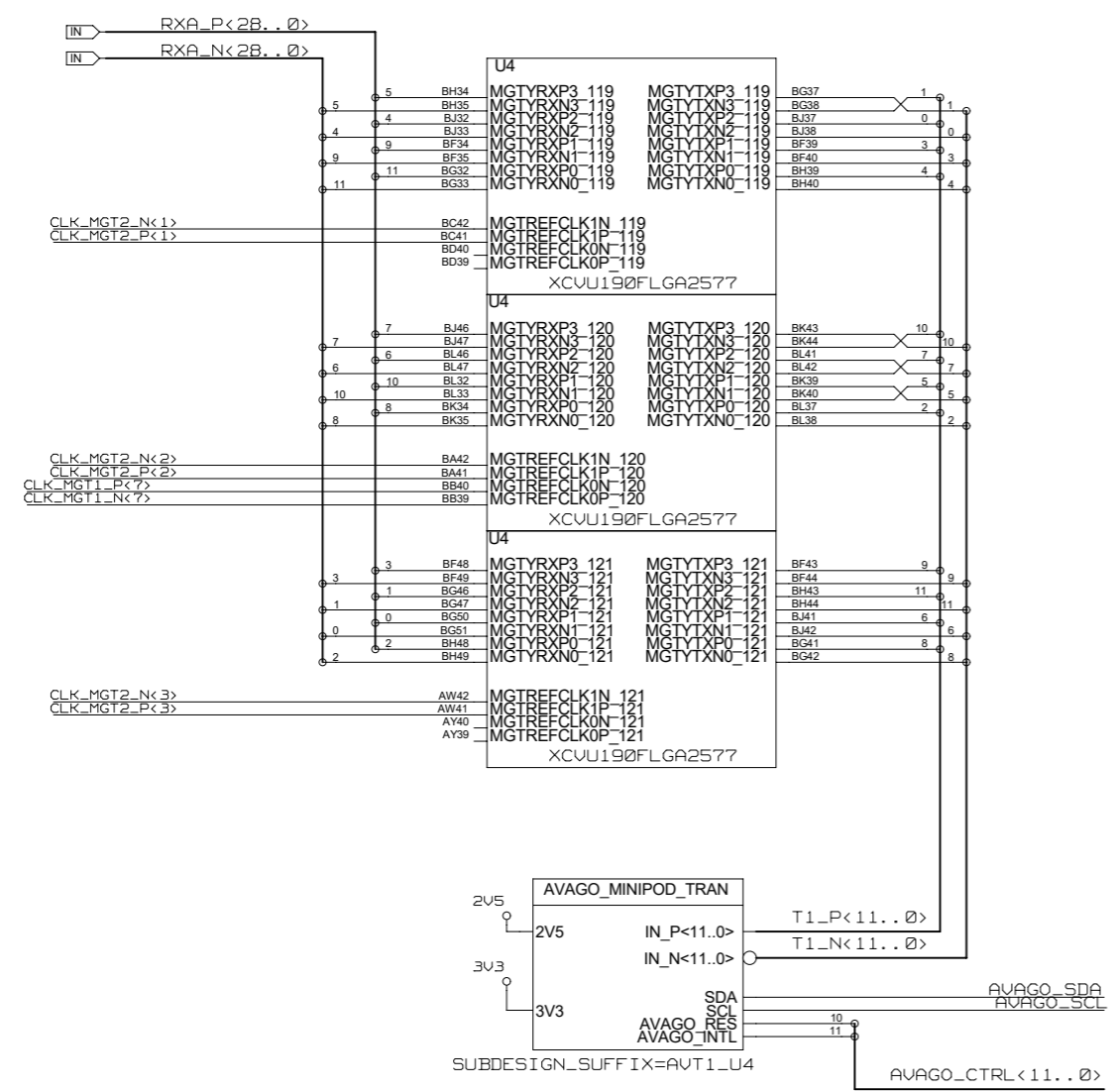
REVISIONS				
ZONE	LTR	DESCRIPTION	DATE	APPR.



BANK  
R3  
R4  
R5  
R6  
R7  
R8

NAME	DATE	SIGN	DRAWING TITLE
CHECKED J. V. DE SOUZA			AVAGO TXB
CHECKED U. SCHAEFER			
CHECKED S. RAVE			
DRAWN BAUSS	07. 08. 2015		
BLOCK TITLE			SIZE
U4_MGT_REAL_TIME			REV.
UNIVERSITY OF MAINZ			DRAWING NO.
SCALE			SHEET 4 OF 7

REVISIONS				
ZONE	LTR	DESCRIPTION	DATE	APPR.

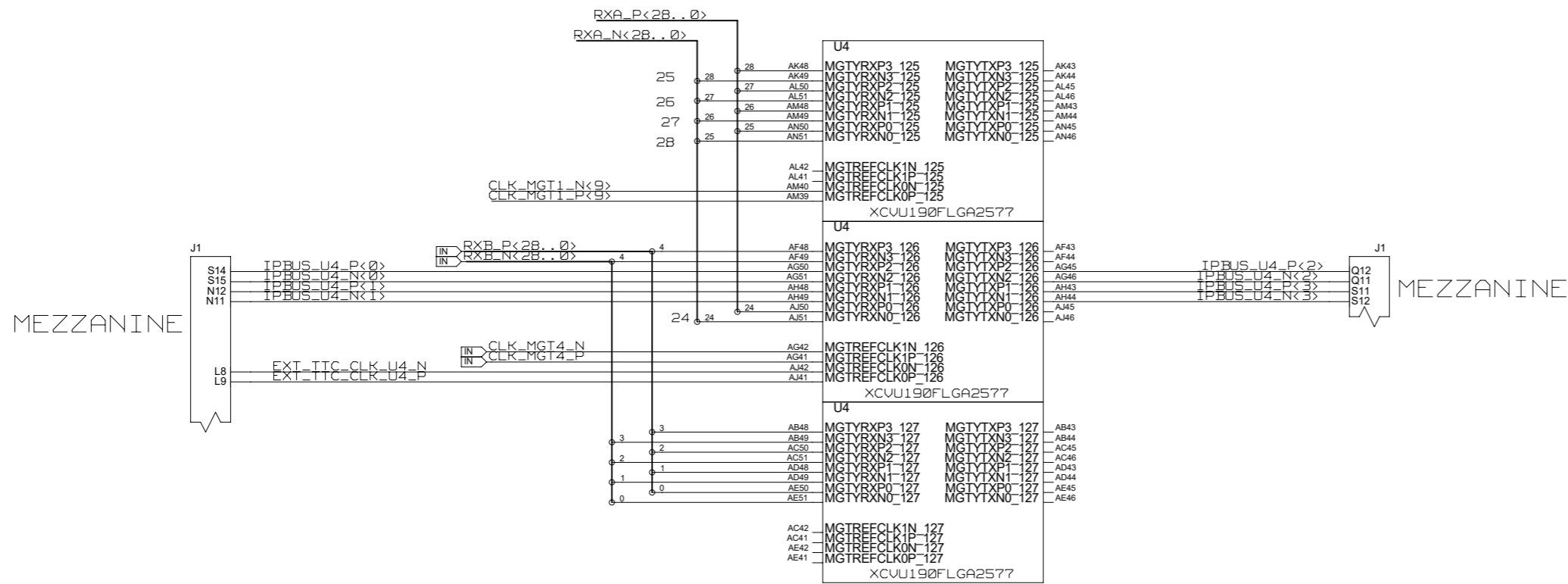


I2C ADDRESS:  
R3=XXX R4=XXX  
R5=XXX R6=XXX  
R7=XXX R8=XXX

BANK
110
120
130
140
150
160
170
180
190

NAME	DATE	SIGN	DRAWING TITLE		
CHECKED	J.V.DE SOUZA		<b>AVAGO RXA</b>		
CHECKED	U.SCHAEFER				
CHECKED	S.RAVE				
DRAWN	BAUSS	07.08.2015			
BLOCK TITLE			SIZE	REV.	DRAWING NO.
U4_MGT_REAL_TIME			<b>C</b>		
UNIVERSITY OF MAINZ			SCALE		SHEET 5 OF 7

REVISIONS				
ZONE	LTR	DESCRIPTION	DATE	APPR.

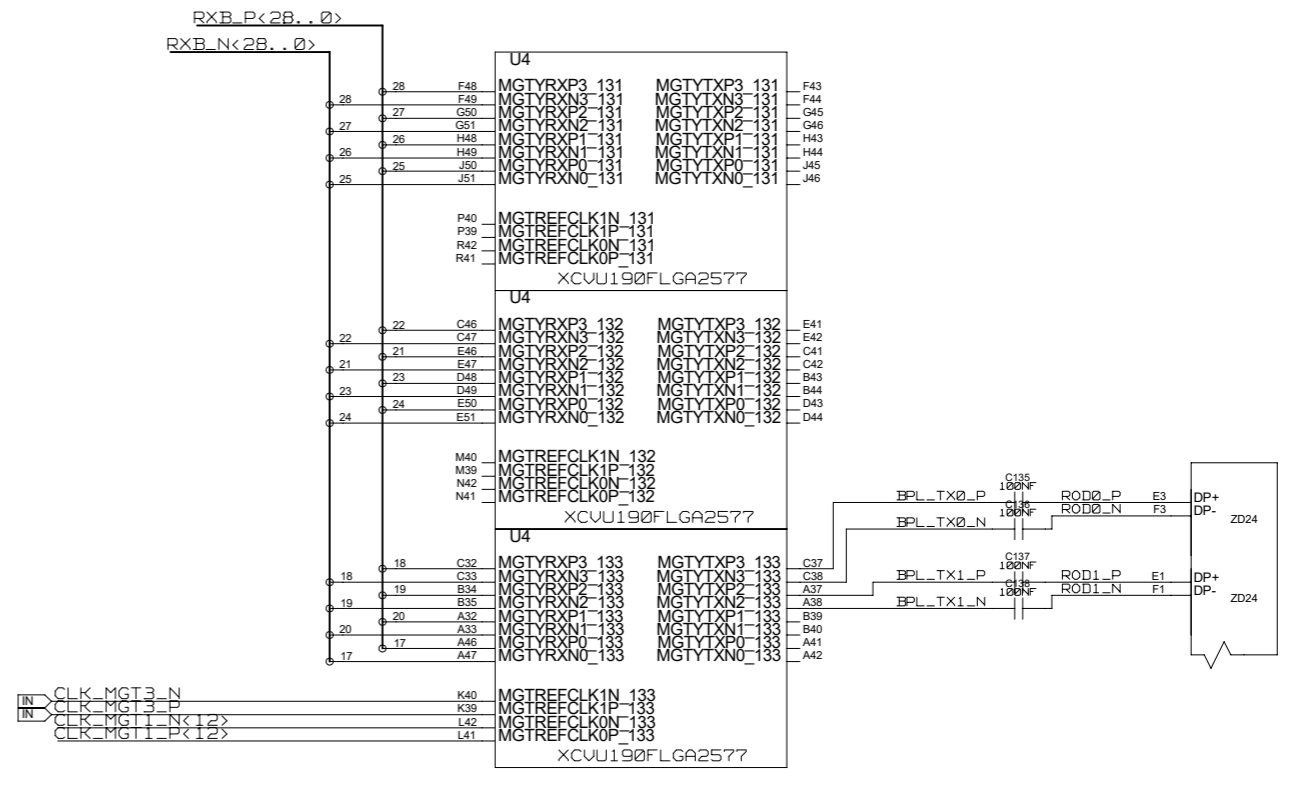
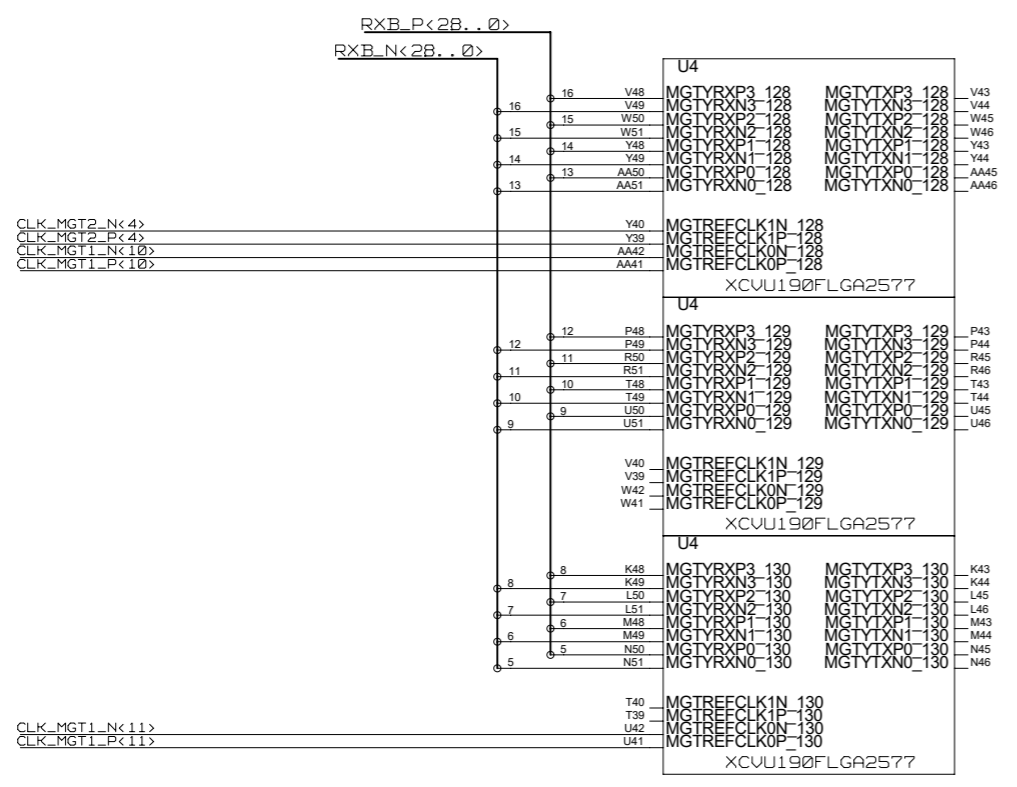


BANK
125
126
127

CHECKED	J. V. DE SOUZA			DRAWING TITLE <b>RXA + RXB TXD + IPBUS</b>
CHECKED	U. SCHAEFER			
CHECKED	S. RAVE			
DRAWN	BAUSS	07.08.2015		
BLOCK TITLE U4_MGT_REAL_TIME				
UNIVERSITY OF MAINZ				SIZE <b>C</b>
				REV.
				DRAWING NO.
				SCALE
				SHEET 6 OF 7



REVISIONS				
ZONE	LTR	DESCRIPTION	DATE	APPR.

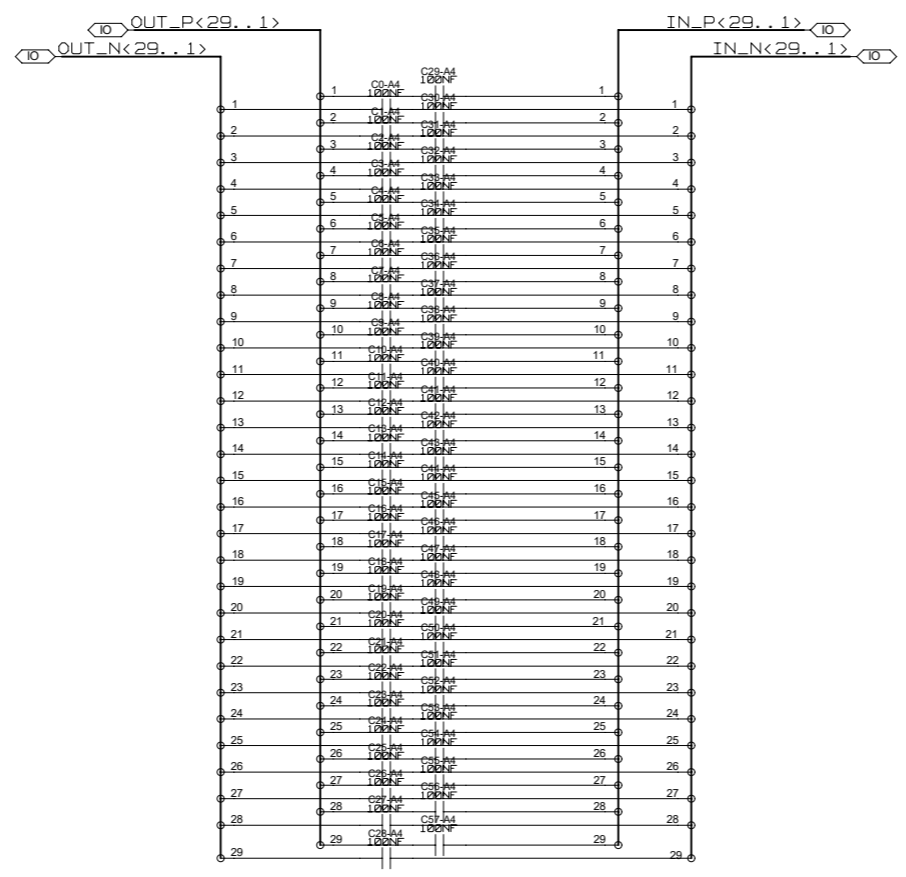


BANK
128
129
130
131
132
133
134
135

<table border="1"> <thead> <tr> <th>NAME</th> <th>DATE</th> <th>SIGN</th> </tr> </thead> <tbody> <tr> <td>CHECKED J. V. DE SOUZA</td> <td> </td> <td> </td> </tr> <tr> <td>CHECKED U. SCHAEFER</td> <td> </td> <td> </td> </tr> <tr> <td>CHECKED S. RAVE</td> <td> </td> <td> </td> </tr> <tr> <td>DRAWN BAUSS</td> <td>07.08.2015</td> <td> </td> </tr> </tbody> </table>	NAME	DATE	SIGN	CHECKED J. V. DE SOUZA			CHECKED U. SCHAEFER			CHECKED S. RAVE			DRAWN BAUSS	07.08.2015		<p>DRAWING TITLE</p> <h1>RXB + TXC</h1> <p>BLOCK TITLE</p> <p>U4_MGT_REAL_TIME</p>	<table border="1"> <tr> <td>SIZE</td> <td>REV.</td> <td>DRAWING NO.</td> </tr> <tr> <td><b>C</b></td> <td> </td> <td> </td> </tr> <tr> <td>SCALE</td> <td colspan="2">SHEET 7 OF 7</td> </tr> </table>	SIZE	REV.	DRAWING NO.	<b>C</b>			SCALE	SHEET 7 OF 7	
NAME	DATE	SIGN																								
CHECKED J. V. DE SOUZA																										
CHECKED U. SCHAEFER																										
CHECKED S. RAVE																										
DRAWN BAUSS	07.08.2015																									
SIZE	REV.	DRAWING NO.																								
<b>C</b>																										
SCALE	SHEET 7 OF 7																									

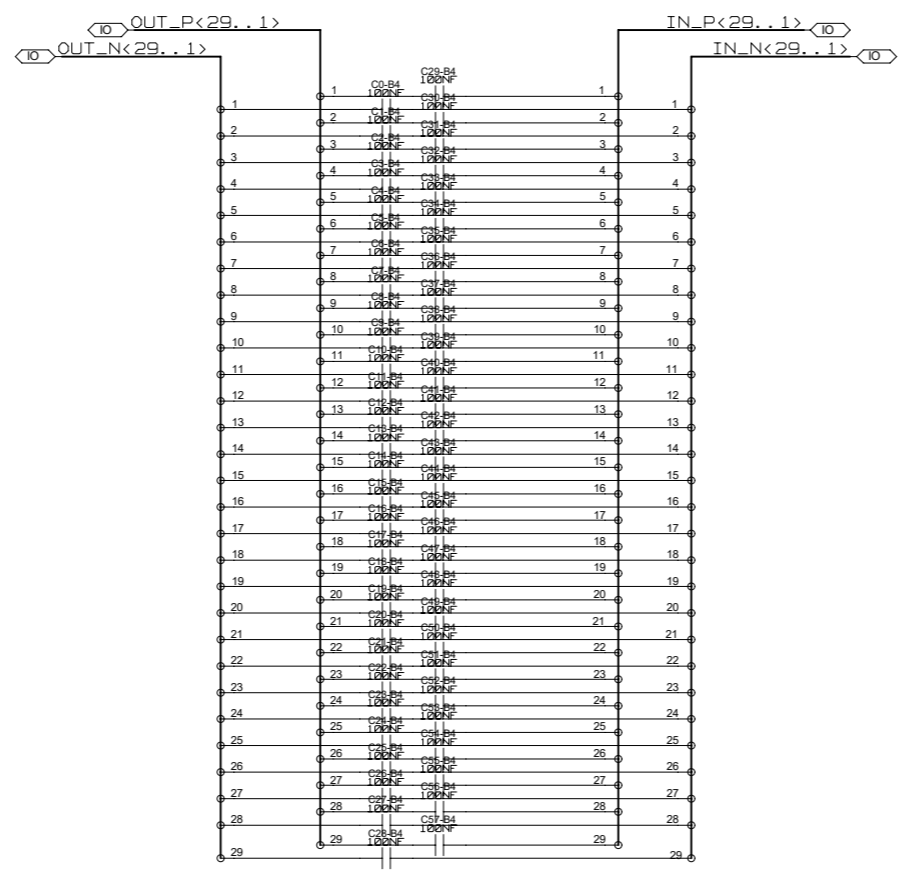
UNIVERSITY OF MAINZ

REVISIONS				
ZONE	LTR	DESCRIPTION	DATE	APPR.



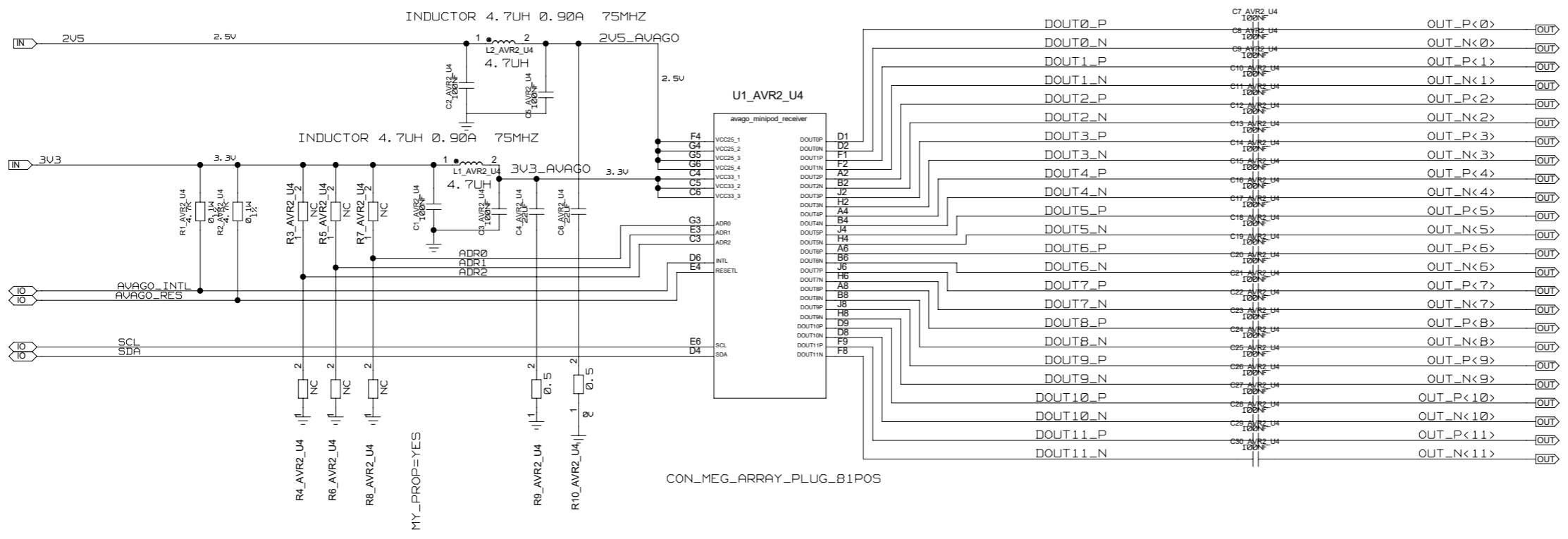
CHECKED	NAME	DATE	SIGN	DRAWING TITLE	
CHECKED	J.V.DE SOUZA			AC COUPLING 29BIT	
CHECKED	U.SCHAEFER				
CHECKED	S.RAVE				
DRAWN	BAUSS			BLOCK TITLE	
UNIVERSITY OF MAINZ				SIZE	DRAWING NO.
				<b>C</b>	REV.
SCALE				SHEET	OF

REVISIONS				
ZONE	LTR	DESCRIPTION	DATE	APPR.



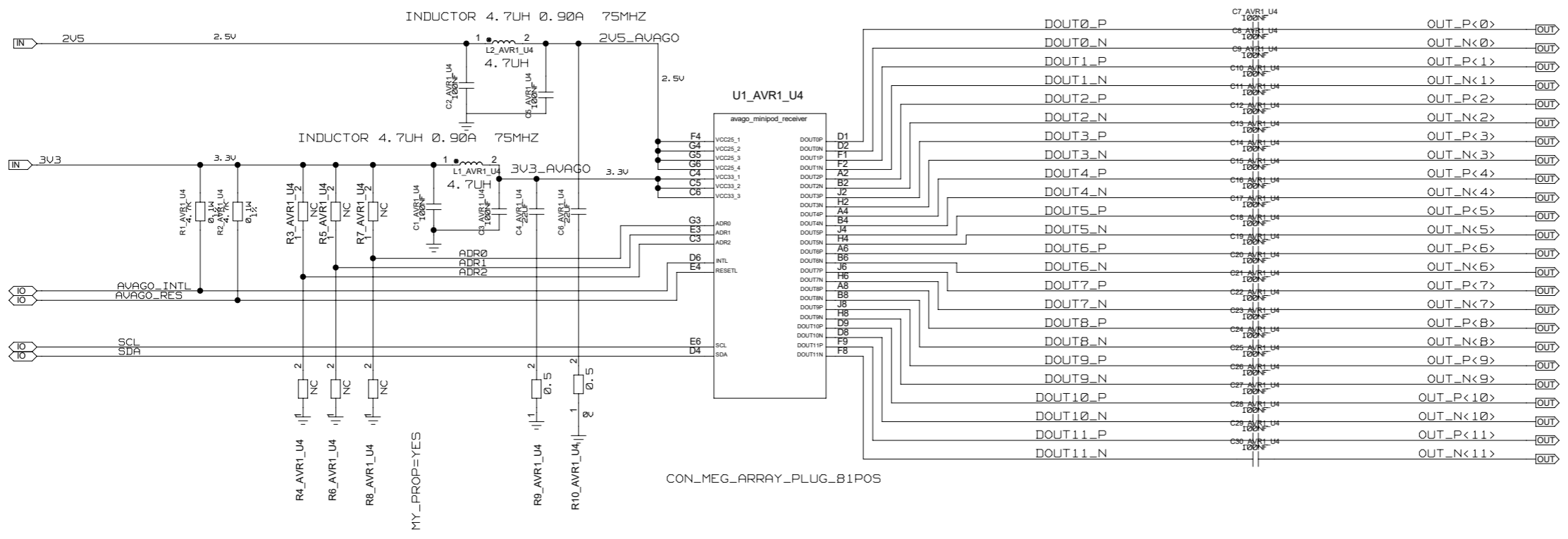
CHECKED	J. V. DE SOUZA			DRAWING TITLE  AC COUPLING 29BIT
CHECKED	U. SCHAEFER			
CHECKED	S. RAVE			
DRAWN	BAUSS			
BLOCK TITLE				
UNIVERSITY OF MAINZ			SIZE <b>C</b>	REV.
			SCALE	DRAWING NO.
				SHEET OF

REVISIONS				
ZONE	LTR	DESCRIPTION	DATE	APPR.



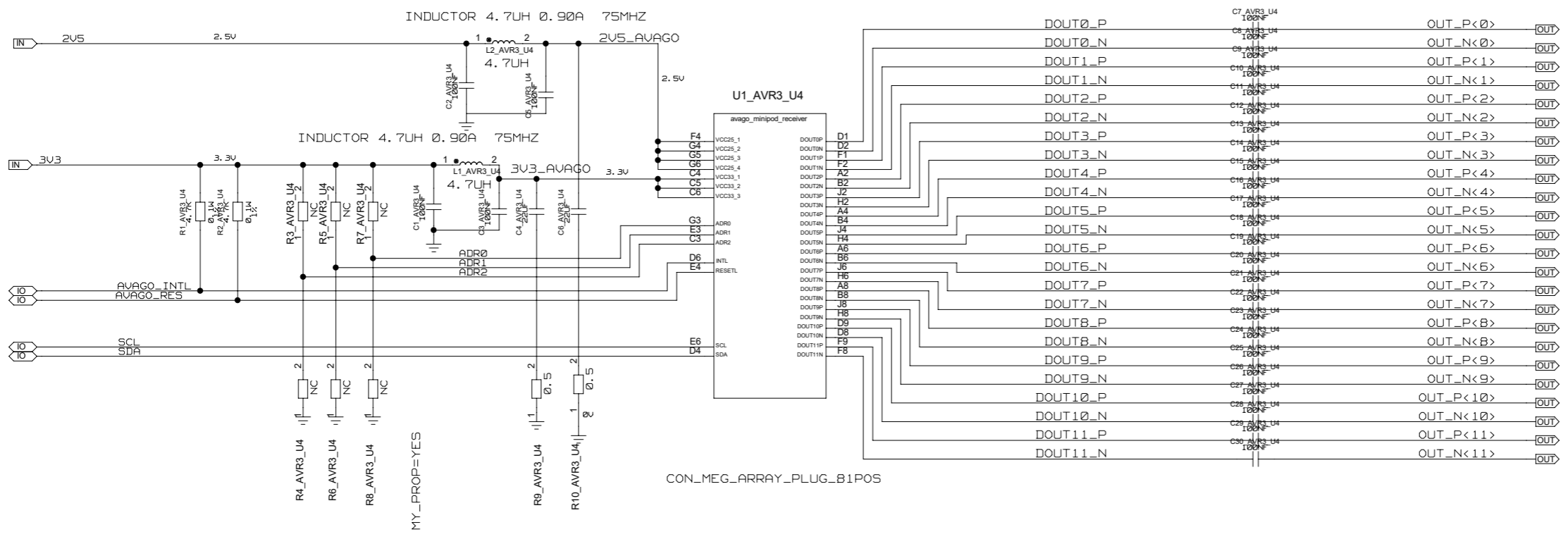
UNIVERSITY OF MAINZ		DRAWING TITLE	
		AVAGO RECEIVER	
SIZE	REV.	DRAWING NO.	
C			
SCALE		SHEET	OF

REVISIONS				
ZONE	LTR	DESCRIPTION	DATE	APPR.



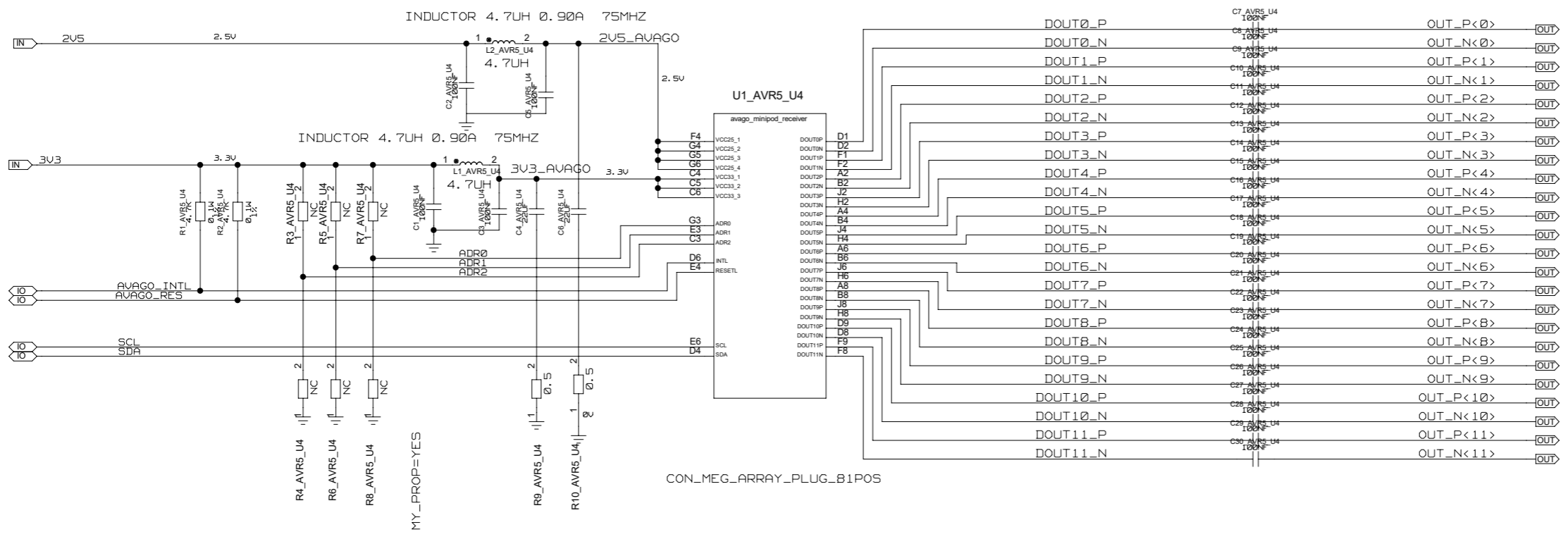
UNIVERSITY OF MAINZ		DRAWING TITLE	
		AVAGO RECEIVER	
SIZE	REV.	DRAWING NO.	
<b>C</b>			
SCALE		SHEET	OF

REVISIONS				
ZONE	LTR	DESCRIPTION	DATE	APPR.



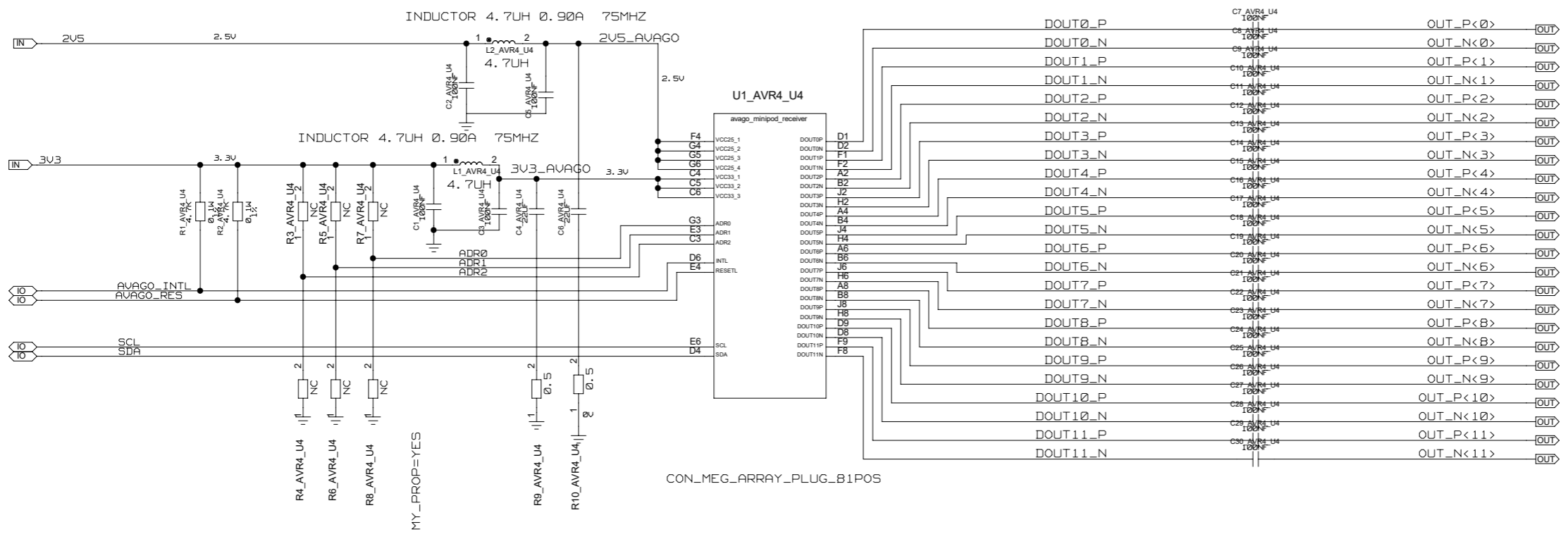
UNIVERSITY OF MAINZ		DRAWING TITLE	
		AVAGO RECEIVER	
SIZE	REV.	DRAWING NO.	
C			
SCALE		SHEET	OF

REVISIONS				
ZONE	LTR	DESCRIPTION	DATE	APPR.



UNIVERSITY OF MAINZ		DRAWING TITLE	
		AVAGO RECEIVER	
SIZE	REV.	DRAWING NO.	
<b>C</b>			
SCALE		SHEET	OF

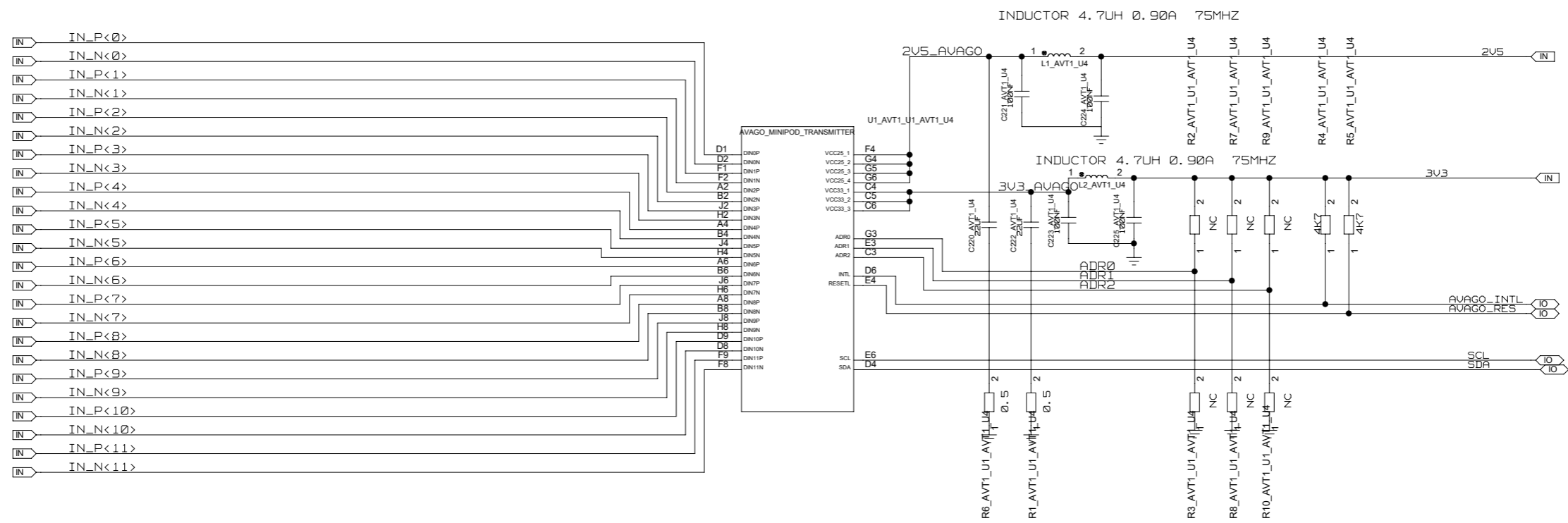
REVISIONS				
ZONE	LTR	DESCRIPTION	DATE	APPR.



UNIVERSITY OF MAINZ		DRAWING TITLE	
		AVAGO RECEIVER	
SIZE	REV.	DRAWING NO.	
<b>C</b>			
SCALE		SHEET	OF



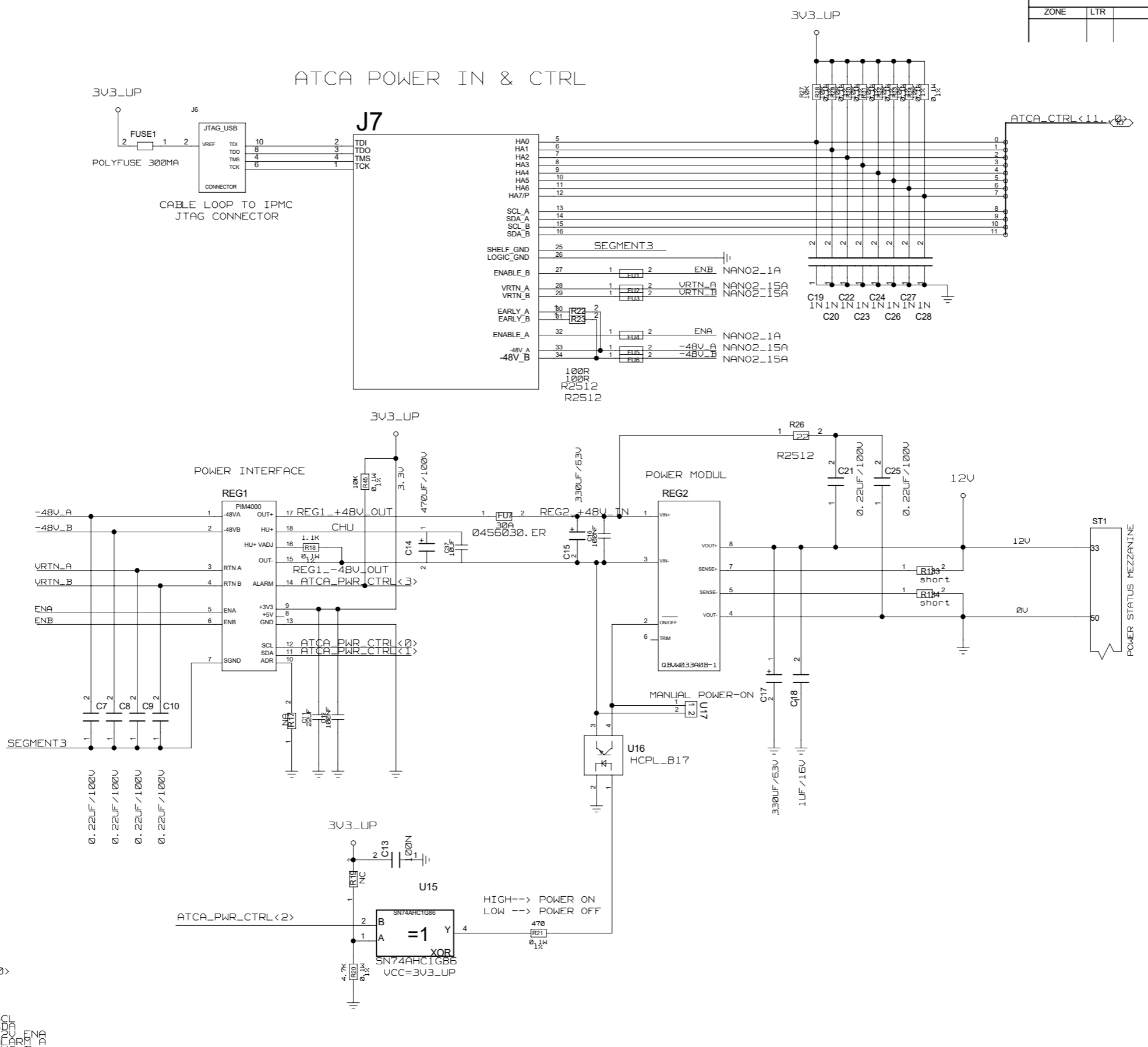
REVISIONS				
ZONE	LTR	DESCRIPTION	DATE	APPR.



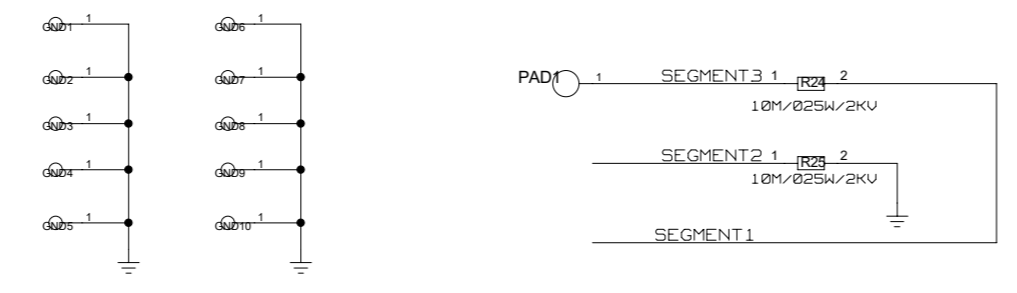
UNIVERSITY OF MAINZ		DRAWING TITLE AVAGO TRANSMITTER	
SIZE <b>C</b>	REV.	DRAWING NO.	
SCALE	SHEET		OF

REVISIONS				
ZONE	LTR	DESCRIPTION	DATE	APPR.

# ATCA POWER IN & CTRL

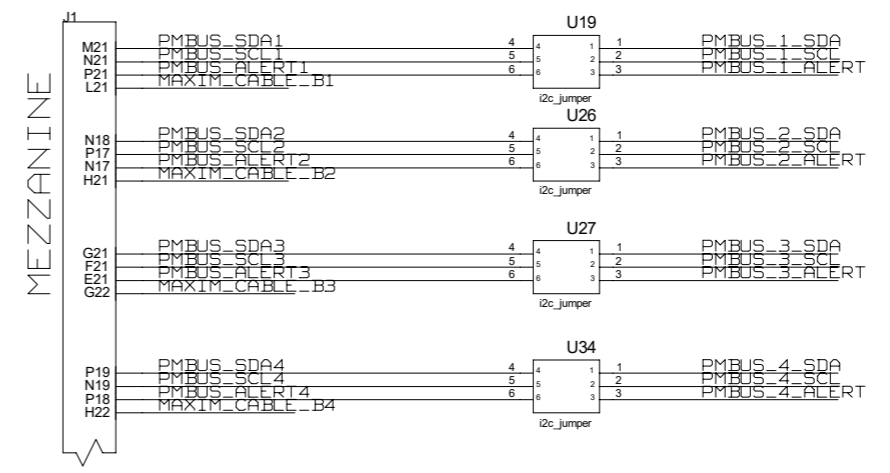
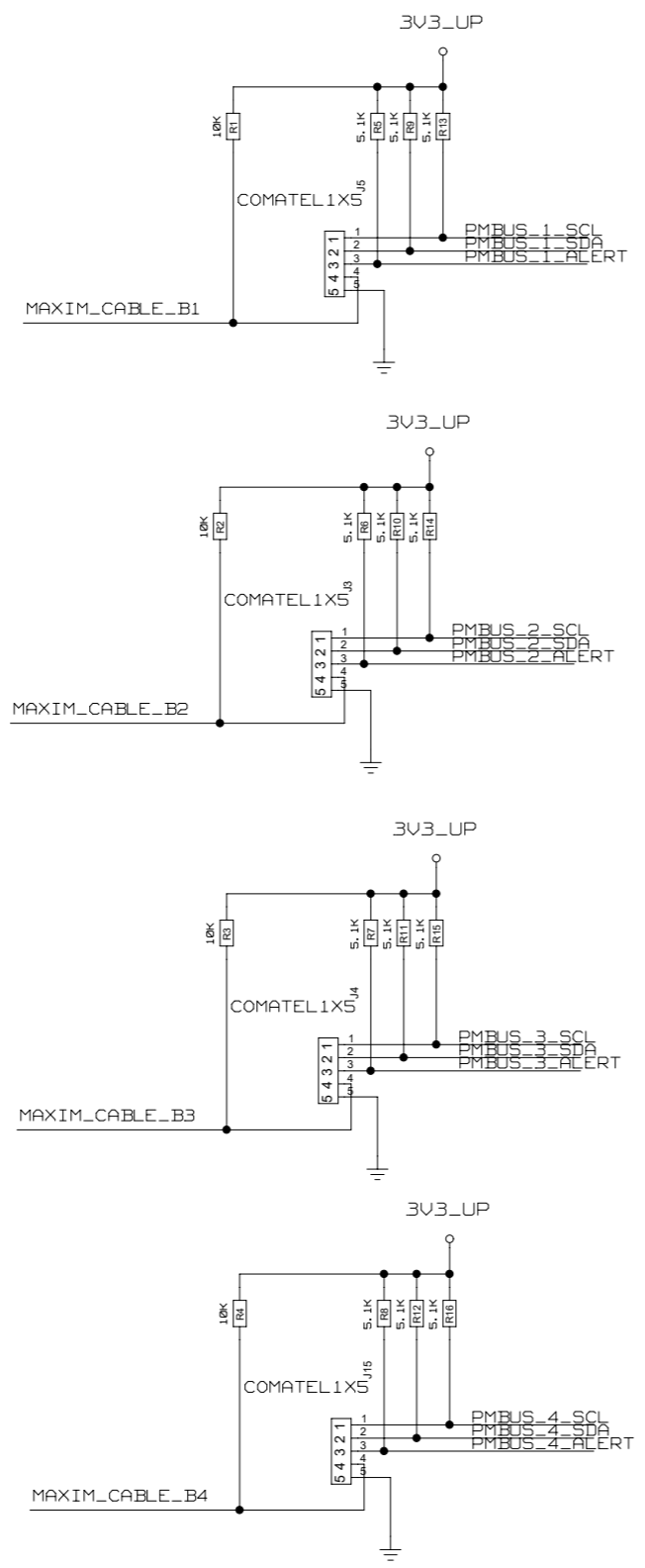


DDDDDT CA\_PWR\_CTRL<0> || SCL  
 DDDDDT CA\_PWR\_CTRL<1> || SDA  
 DDDDDT CA\_PWR\_CTRL<2> || ADR  
 DDDDDT CA\_PWR\_CTRL<3> || ALARM  
 DDDDDT CA\_PWR\_CTRL<4> || RTN\_B  
 DDDDDT CA\_PWR\_CTRL<5> || RTN\_A  
 DDDDDT CA\_PWR\_CTRL<6> || VRTN\_B  
 DDDDDT CA\_PWR\_CTRL<7> || VRTN\_A  
 DDDDDT CA\_PWR\_CTRL<8> || ENB  
 DDDDDT CA\_PWR\_CTRL<9> || ENA  
 DDDDDT CA\_PWR\_CTRL<10> || EARLY\_B  
 DDDDDT CA\_PWR\_CTRL<11> || EARLY\_A  
 DDDDDT CA\_PWR\_CTRL<12> || FUSE1  
 DDDDDT CA\_PWR\_CTRL<13> || TCK  
 DDDDDT CA\_PWR\_CTRL<14> || TMS  
 DDDDDT CA\_PWR\_CTRL<15> || TDO  
 DDDDDT CA\_PWR\_CTRL<16> || TDI  
 DDDDDT CA\_PWR\_CTRL<17> || VREF  
 DDDDDT CA\_PWR\_CTRL<18> || JTAG\_USB  
 DDDDDT CA\_PWR\_CTRL<19> || POLYFUSE\_300MA



NAME	DATE	SIGN	DRAWING TITLE
CHECKED	J.V. DE SOUZA		ATCA POWER_IN
CHECKED	U.SCHAEFER		
CHECKED	S.RAVE		
DRAWN	BAUSS	03.11.2015	
BLOCK TITLE			
POWERSUPPLY			
UNIVERSITY OF MAINZ			
SIZE	REV.	DRAWING NO.	
C			
SCALE		SHEET OF	

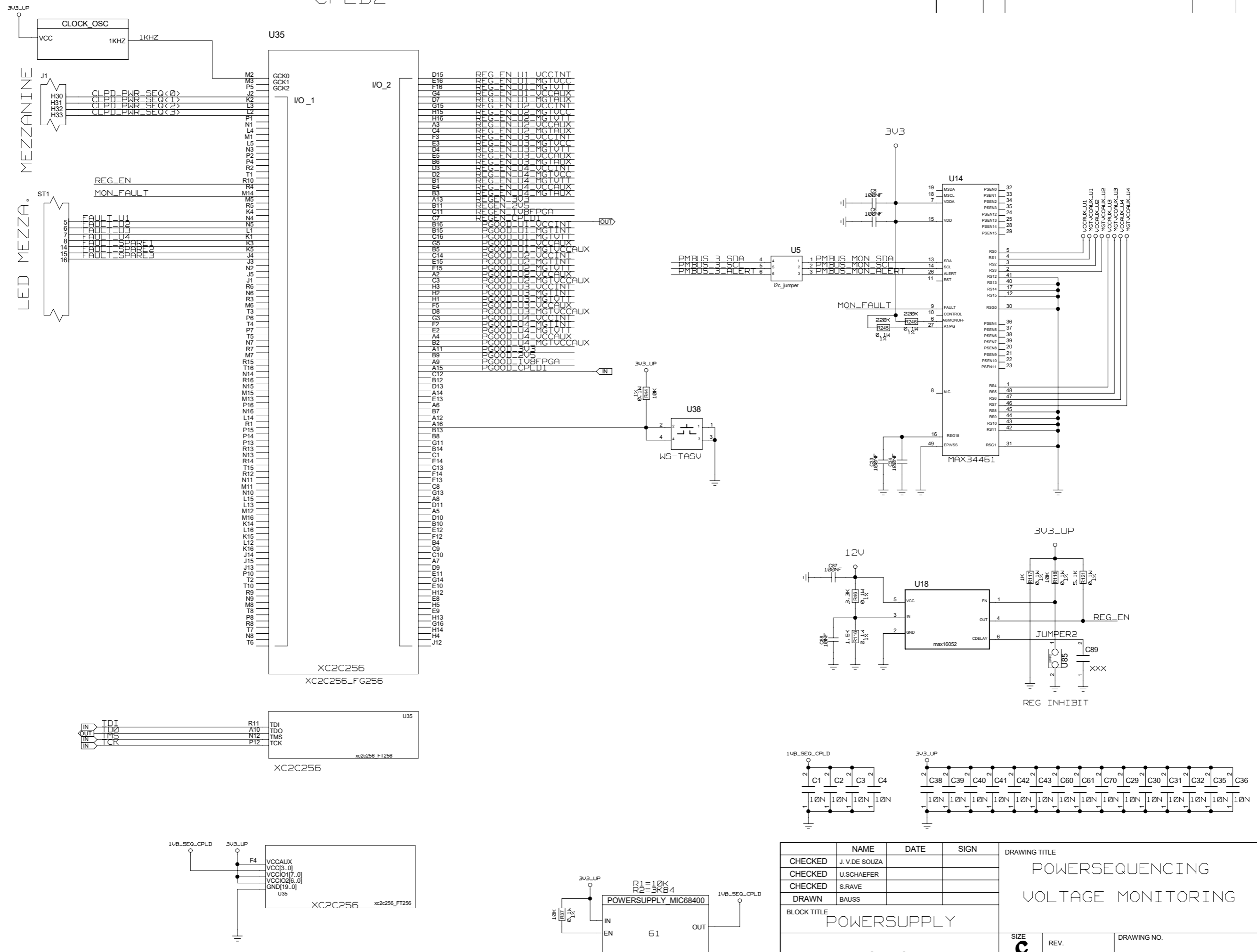
REVISIONS				
ZONE	LTR	DESCRIPTION	DATE	APPR.



CHECKED	J. V. DE SOUZA			DRAWING TITLE  <b>PMBUS CONNECTORS</b>	
CHECKED	U. SCHAEFER				
CHECKED	S. RAVE				
DRAWN	BAUSS				
BLOCK TITLE <b>POWERSUPPLY</b>					
<b>UNIVERSITY OF MAINZ</b>				SIZE <b>C</b>	REV.
				DRAWING NO.	

REVISIONS				
ZONE	LTR	DESCRIPTION	DATE	APPR.

CPLD2

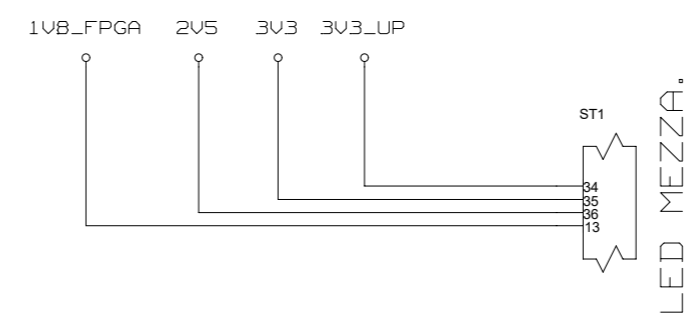
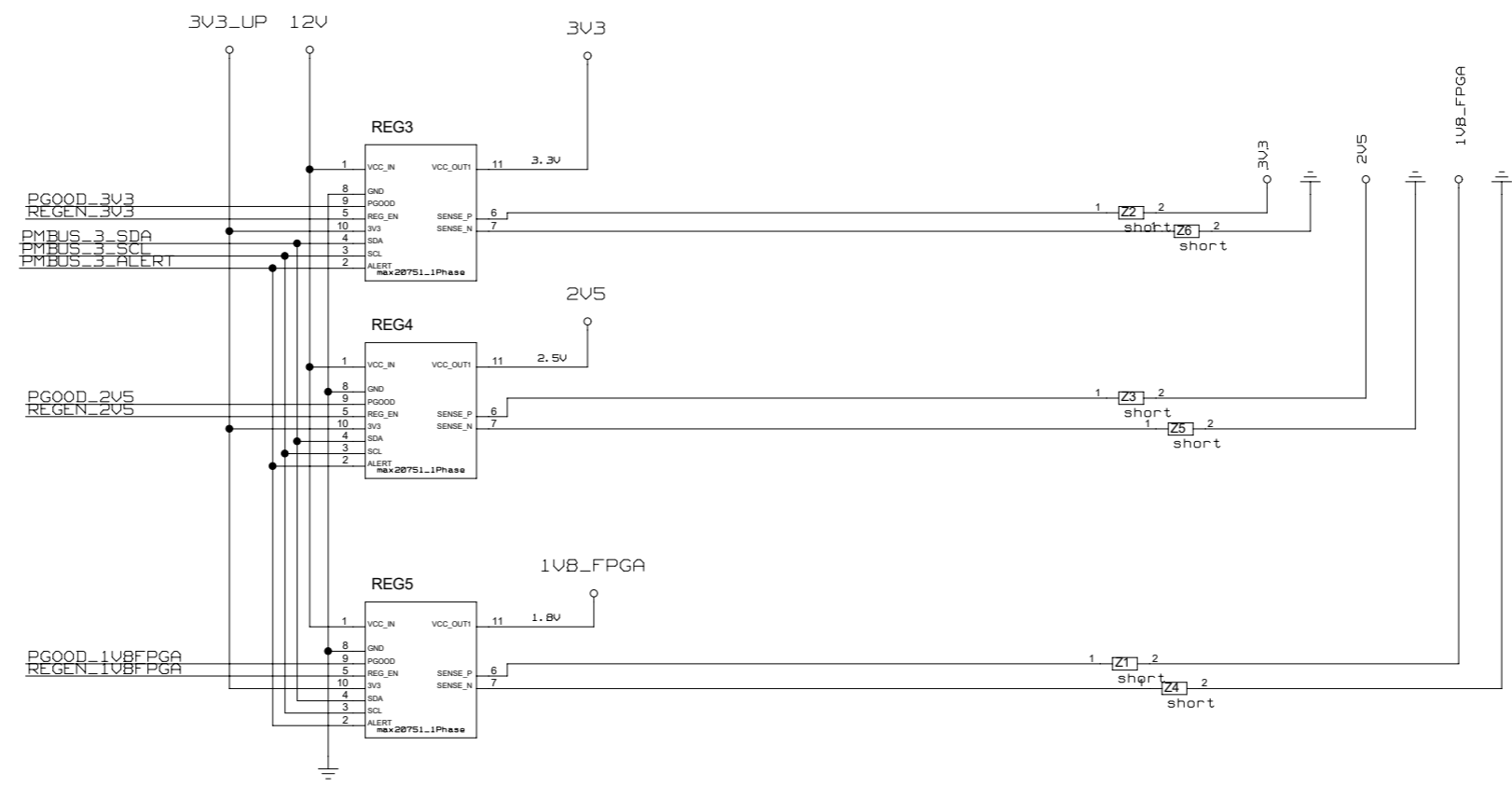


NAME	DATE	SIGN	DRAWING TITLE
CHECKED	J. V. DE SOUZA		POWERSEQUENCING
CHECKED	U. SCHAEFER		VOLTAGE MONITORING
CHECKED	S. RAVE		
DRAWN	BAUSS		

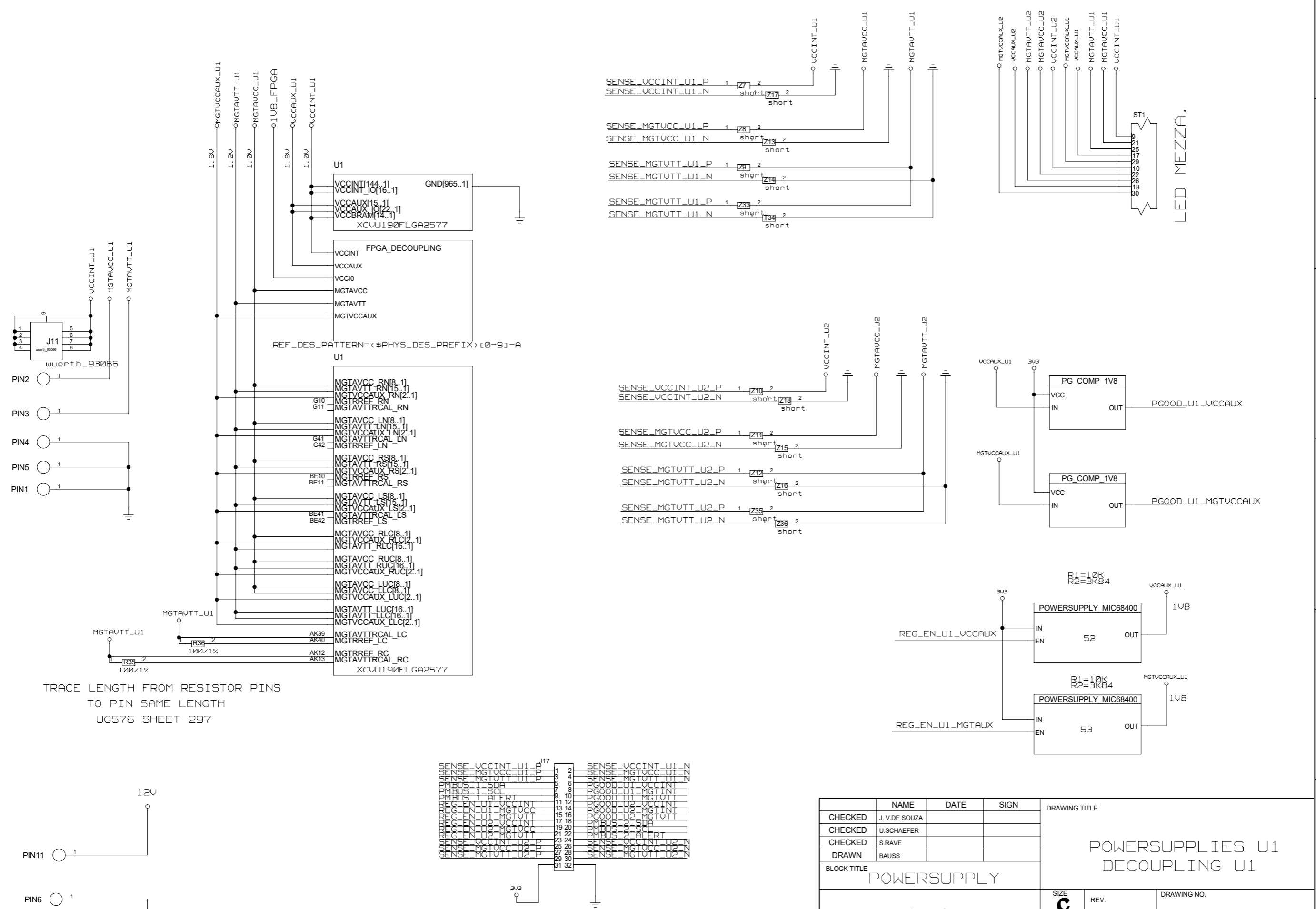
BLOCK TITLE		SIZE	REV.	DRAWING NO.
POWERSUPPLY		C		
UNIVERSITY OF MAINZ		SCALE		SHEET OF

REVISIONS				
ZONE	LTR	DESCRIPTION	DATE	APPR.



CHECKED	J. V. DE SOUZA			DRAWING TITLE <b>BOARDLEVEL</b> 1V8, 2V5, 3V3
CHECKED	U. SCHAEFER			
CHECKED	S. RAVE			
DRAWN	BAUSS			
BLOCK TITLE <b>POWERSUPPLY</b>				SIZE <b>C</b>
UNIVERSITY OF MAINZ				REV.
SCALE				DRAWING NO.
SHEET			OF	

REVISIONS				
ZONE	LTR	DESCRIPTION	DATE	APPR.

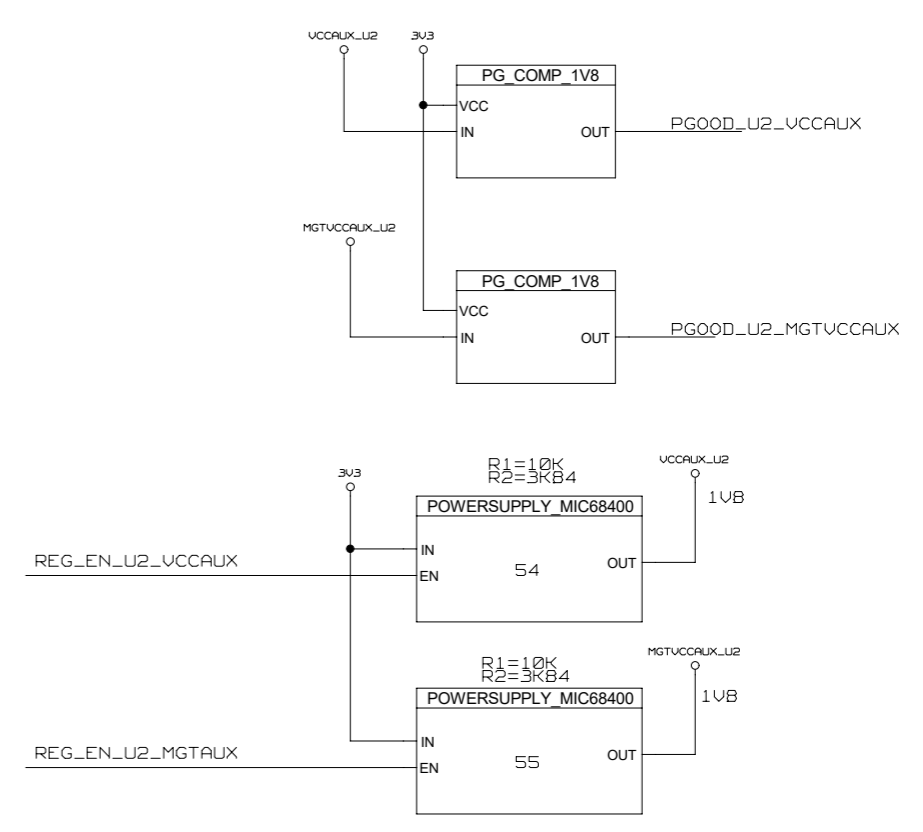
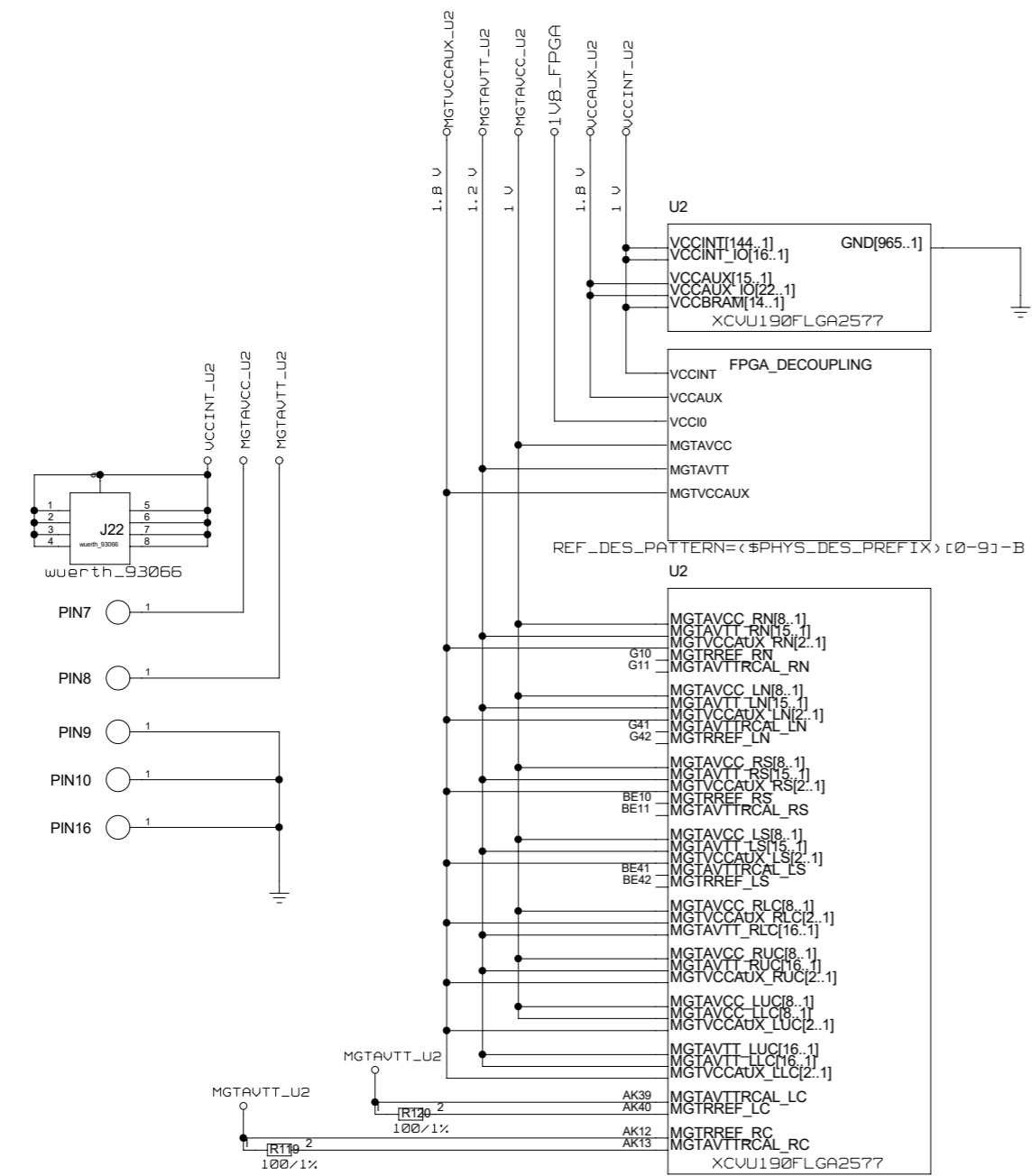


TRACE LENGTH FROM RESISTOR PINS  
TO PIN SAME LENGTH  
UG576 SHEET 297

U17	
1	2
3	4
5	6
7	8
9	10
11	12
13	14
15	16
17	18
19	20
21	22
23	24
25	26
27	28
29	30
31	32

NAME	DATE	SIGN	DRAWING TITLE
CHECKED	J.V DE SOUZA		POWERSUPPLIES U1 DECOUPLING U1
CHECKED	U.SCHAEFER		
CHECKED	S.RAVE		
DRAWN	BAUSS		
BLOCK TITLE			POWERSUPPLY
UNIVERSITY OF MAINZ			SIZE <b>C</b>
			REV.
			DRAWING NO.
			SCALE
			SHEET OF

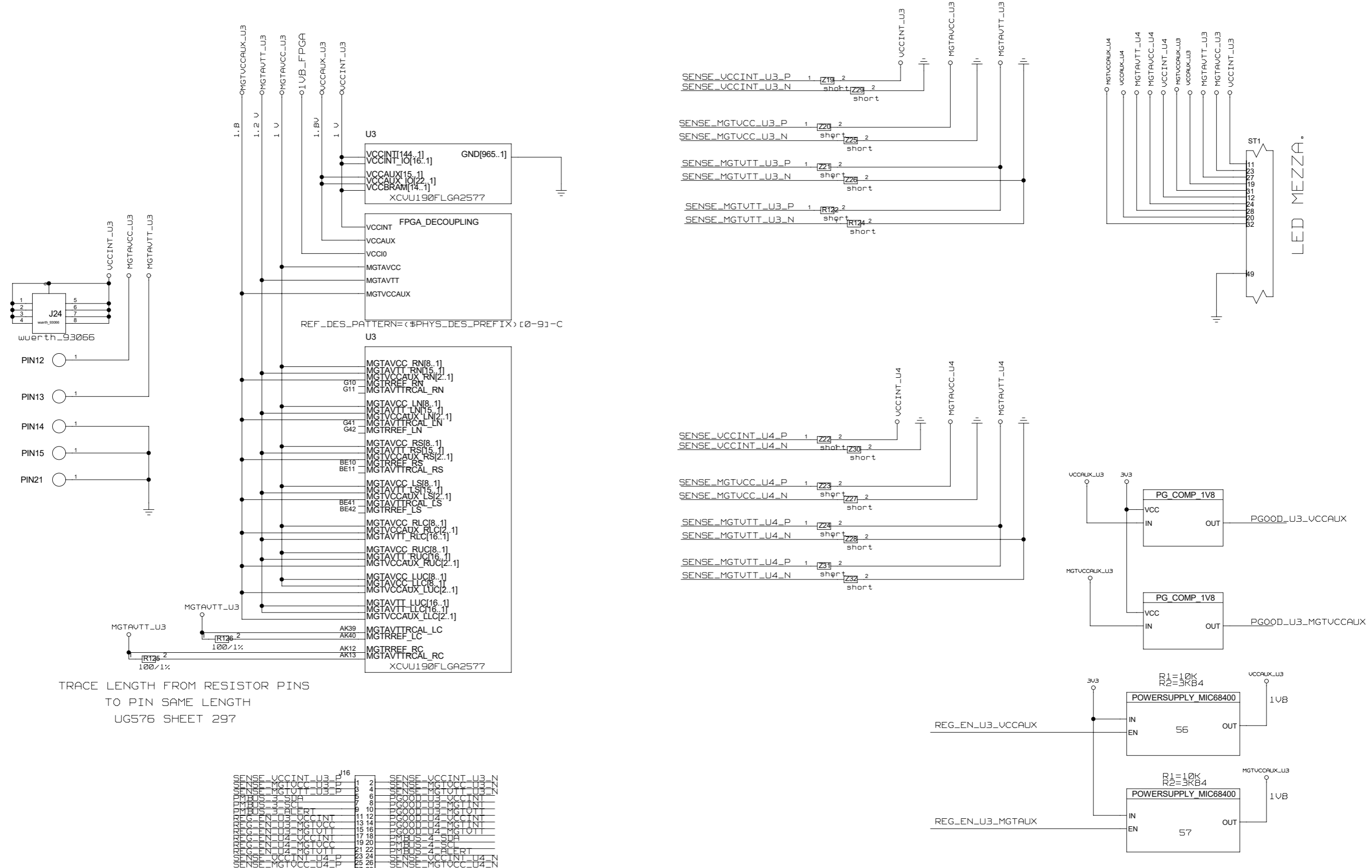
REVISIONS				
ZONE	LTR	DESCRIPTION	DATE	APPR.



TRACE LENGTH FROM RESISTOR PINS  
TO PIN SAME LENGTH  
UG576 SHEET 297

NAME	DATE	SIGN	DRAWING TITLE	
CHECKED J. V. DE SOUZA			POWERSUPPLIES U2 DECOUPLING U2	
CHECKED U. SCHAEFER				
CHECKED S. RAVE				
DRAWN BAUSS				
BLOCK TITLE			DRAWING NO.	
POWERSUPPLY			SIZE	REV.
UNIVERSITY OF MAINZ			SCALE	SHEET OF

REVISIONS				
ZONE	LTR	DESCRIPTION	DATE	APPR.



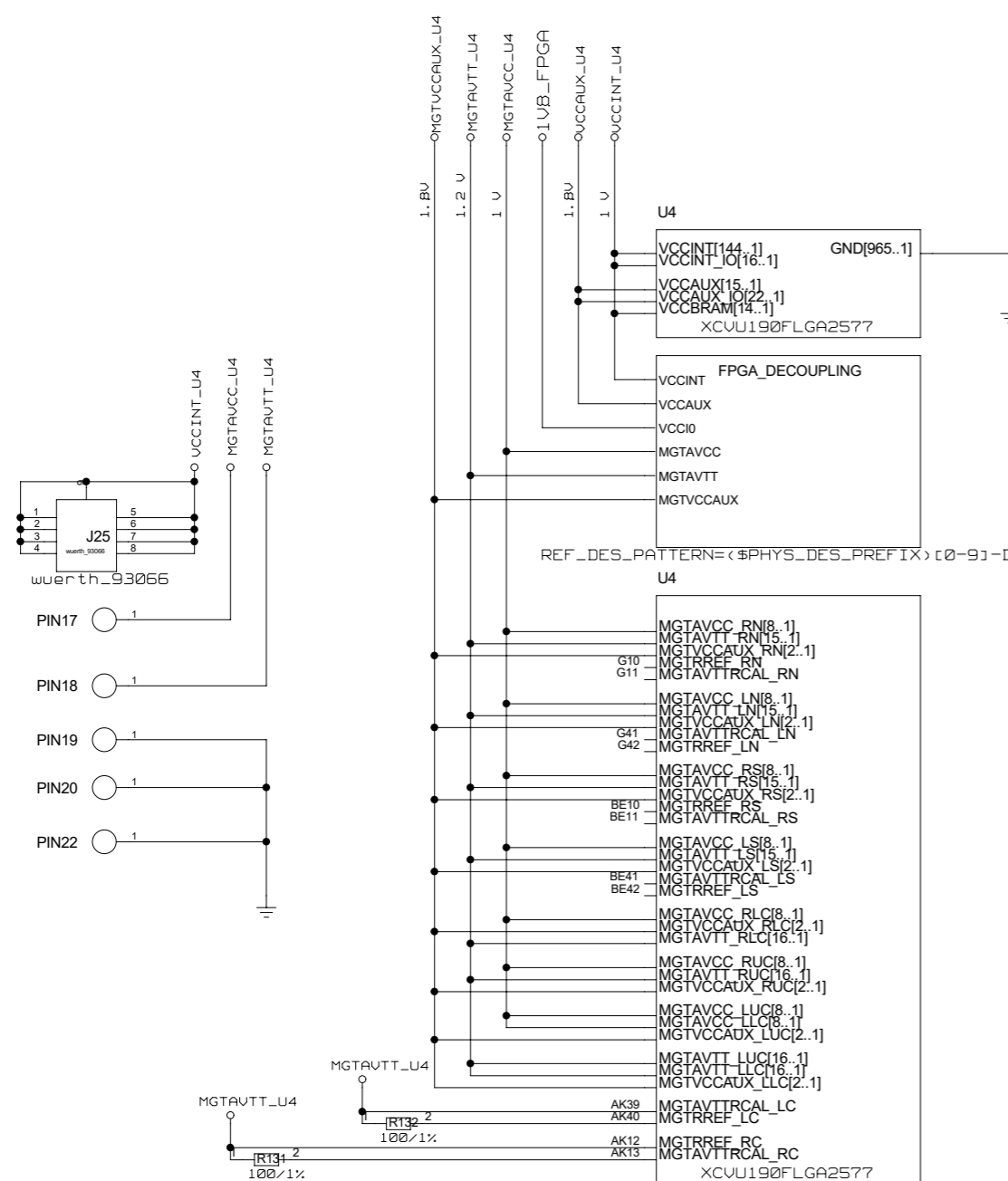
TRACE LENGTH FROM RESISTOR PINS  
TO PIN SAME LENGTH  
UG576 SHEET 297

U3	U4	U3	U4
1	2	1	2
2	3	2	3
3	4	3	4
4	5	4	5
5	6	5	6
6	7	6	7
7	8	7	8
8	9	8	9
9	10	9	10
10	11	10	11
11	12	11	12
12	13	12	13
13	14	13	14
14	15	14	15
15	16	15	16
16	17	16	17
17	18	17	18
18	19	18	19
19	20	19	20
20	21	20	21
21	22	21	22
22	23	22	23
23	24	23	24
24	25	24	25
25	26	25	26
26	27	26	27
27	28	27	28
28	29	28	29
29	30	29	30
30	31	30	31
31	32	31	32

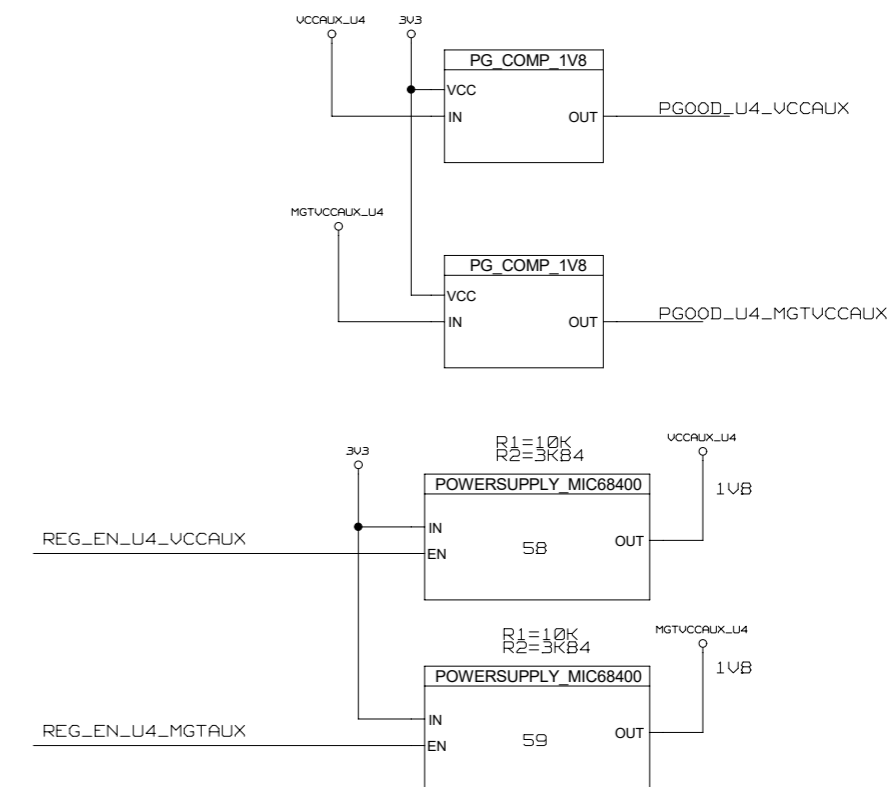
NAME	DATE	SIGN	DRAWING TITLE
CHECKED	J.V. DE SOUZA		POWERSUPPLIES U3 DECOUPLING U3
CHECKED	U.SCHAEFER		
CHECKED	S.RAVE		
DRAWN	BAUSS		
BLOCK TITLE			POWER SUPPLY
UNIVERSITY OF MAINZ			SIZE <b>C</b>
			REV.
			DRAWING NO.
			SCALE
			SHEET OF



REVISIONS				
ZONE	LTR	DESCRIPTION	DATE	APPR.



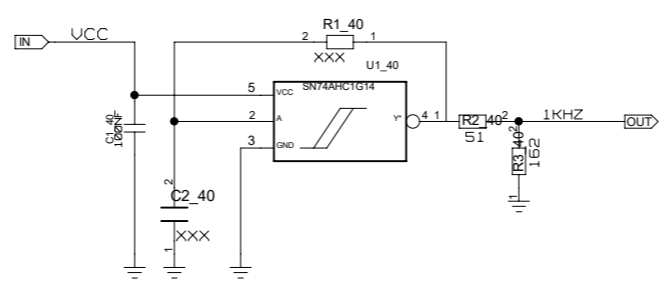
TRACE LENGTH FROM RESISTOR PINS  
TO PIN SAME LENGTH  
UG576 SHEET 297



CHECKED	J. V. DE SOUZA			DRAWING TITLE  <b>POWERSUPPLIES U4 DECOUPLING U4</b>
CHECKED	U. SCHAEFER			
CHECKED	S. RAVE			
DRAWN	BAUSS			
BLOCK TITLE <b>POWERSUPPLY</b>				SIZE <b>C</b>
UNIVERSITY OF MAINZ				REV.
				DRAWING NO.
				SCALE
				SHEET OF

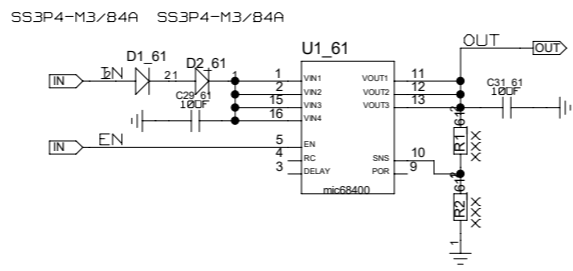


REVISIONS				
ZONE	LTR	DESCRIPTION	DATE	APPR.



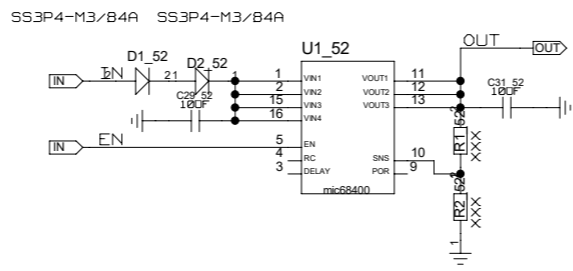
	NAME	DATE	SIGN	DRAWING TITLE	
CHECKED	J. V. DE SOUZA				
CHECKED	U. SCHAEFER				
CHECKED	S. RAVE				
DRAWN	BAUSS				
BLOCK TITLE					
UNIVERSITY OF MAINZ				SIZE	DRAWING NO.
				<b>C</b>	
SCALE					
				SHEET	OF

REVISIONS				
ZONE	LTR	DESCRIPTION	DATE	APPR.



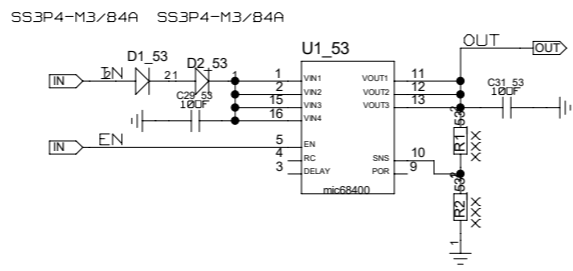
	NAME	DATE	SIGN	DRAWING TITLE	
CHECKED	J. V. DE SOUZA				
CHECKED	U. SCHAEFER				
CHECKED	S. RAVE				
DRAWN	BAUSS				
BLOCK TITLE					
POWERSUPPLY_MIC68400					
UNIVERSITY OF MAINZ			SIZE	REV.	DRAWING NO.
			C		
			SCALE		SHEET OF

REVISIONS				
ZONE	LTR	DESCRIPTION	DATE	APPR.



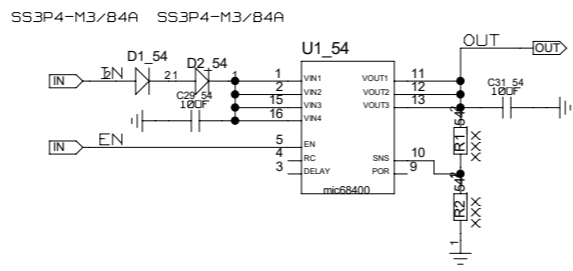
	NAME	DATE	SIGN	DRAWING TITLE	
CHECKED	J. V. DE SOUZA				
CHECKED	U. SCHAEFER				
CHECKED	S. RAVE				
DRAWN	BAUSS				
BLOCK TITLE				SIZE	DRAWING NO.
UNIVERSITY OF MAINZ				<b>C</b>	REV.
SCALE					SHEET OF

REVISIONS				
ZONE	LTR	DESCRIPTION	DATE	APPR.



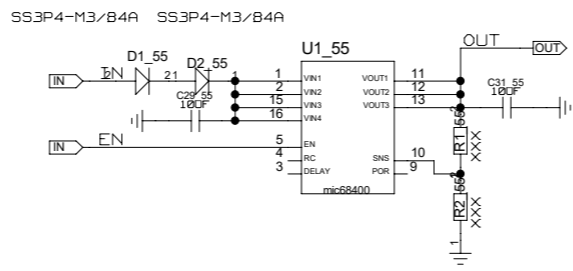
	NAME	DATE	SIGN	DRAWING TITLE	
CHECKED	J. V. DE SOUZA			POWERSUPPLY_MIC68400	
CHECKED	U.SCHAEFER				
CHECKED	S.RAVE				
DRAWN	BAUSS				
BLOCK TITLE				SIZE	DRAWING NO.
UNIVERSITY OF MAINZ				<b>C</b>	REV.
SCALE					SHEET OF

REVISIONS				
ZONE	LTR	DESCRIPTION	DATE	APPR.



CHECKED	J. V. DE SOUZA			DRAWING TITLE
CHECKED	U. SCHAEFER			
CHECKED	S. RAVE			
DRAWN	BAUSS			
BLOCK TITLE				
POWERSUPPLY_MIC68400				
UNIVERSITY OF MAINZ		SIZE	REV.	DRAWING NO.
		<b>C</b>		
SCALE				SHEET OF

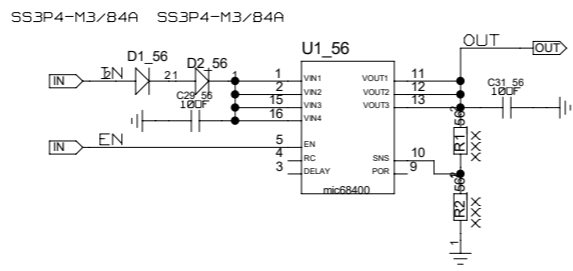
REVISIONS				
ZONE	LTR	DESCRIPTION	DATE	APPR.



CHECKED	NAME	DATE	SIGN	DRAWING TITLE	
CHECKED	J. V. DE SOUZA			BLOCK TITLE POWERSUPPLY_MIC68400	
CHECKED	U.SCHAEFER				
CHECKED	S.RAVE				
DRAWN	BAUSS				
UNIVERSITY OF MAINZ				SIZE	DRAWING NO.
				<b>C</b>	REV.
SCALE				SHEET OF	

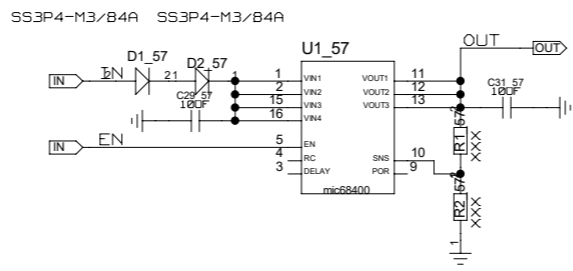


REVISIONS				
ZONE	LTR	DESCRIPTION	DATE	APPR.



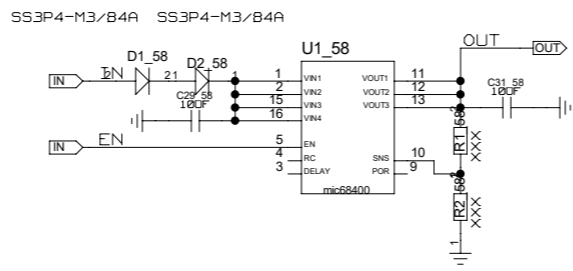
CHECKED	NAME	DATE	SIGN	DRAWING TITLE	
CHECKED	J. V. DE SOUZA			POWERSUPPLY_MIC68400	
CHECKED	U.SCHAEFER				
CHECKED	S.RAVE				
DRAWN	BAUSS				
BLOCK TITLE				SIZE	DRAWING NO.
UNIVERSITY OF MAINZ				<b>C</b>	REV.
SCALE					SHEET OF

REVISIONS				
ZONE	LTR	DESCRIPTION	DATE	APPR.



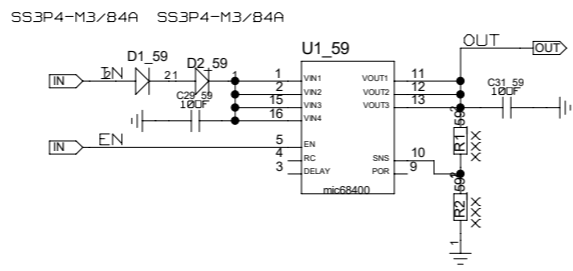
	NAME	DATE	SIGN	DRAWING TITLE	
CHECKED	J. V. DE SOUZA				
CHECKED	U. SCHAEFER				
CHECKED	S. RAVE				
DRAWN	BAUSS				
BLOCK TITLE				SIZE	DRAWING NO.
POWERSUPPLY_MIC68400				<b>C</b>	REV.
UNIVERSITY OF MAINZ				SCALE	SHEET OF

REVISIONS				
ZONE	LTR	DESCRIPTION	DATE	APPR.



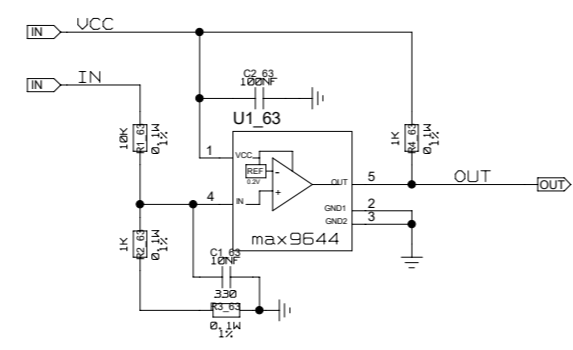
	NAME	DATE	SIGN	DRAWING TITLE	
CHECKED	J. V. DE SOUZA				
CHECKED	U. SCHAEFER				
CHECKED	S. RAVE				
DRAWN	BAUSS				
BLOCK TITLE					
POWERSUPPLY_MIC68400					
UNIVERSITY OF MAINZ			SIZE	REV.	DRAWING NO.
			<b>C</b>		
			SCALE		SHEET OF

REVISIONS				
ZONE	LTR	DESCRIPTION	DATE	APPR.



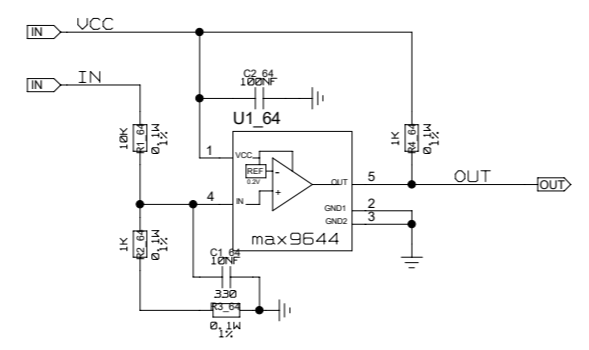
	NAME	DATE	SIGN	DRAWING TITLE	
CHECKED	J. V. DE SOUZA				
CHECKED	U. SCHAEFER				
CHECKED	S. RAVE				
DRAWN	BAUSS				
BLOCK TITLE				SIZE	DRAWING NO.
UNIVERSITY OF MAINZ				<b>C</b>	REV.
SCALE					SHEET OF

REVISIONS				
ZONE	LTR	DESCRIPTION	DATE	APPR.



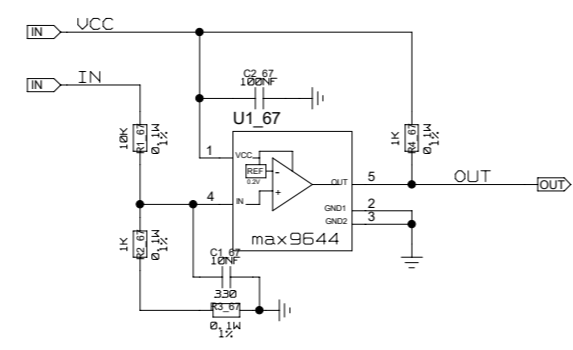
	NAME	DATE	SIGN	DRAWING TITLE	
CHECKED	J. V. DE SOUZA				
CHECKED	U. SCHAEFER				
CHECKED	S. RAVE				
DRAWN	BAUSS				
BLOCK TITLE				SIZE	DRAWING NO.
UNIVERSITY OF MAINZ				<b>C</b>	REV.
				SCALE	SHEET OF

REVISIONS				
ZONE	LTR	DESCRIPTION	DATE	APPR.



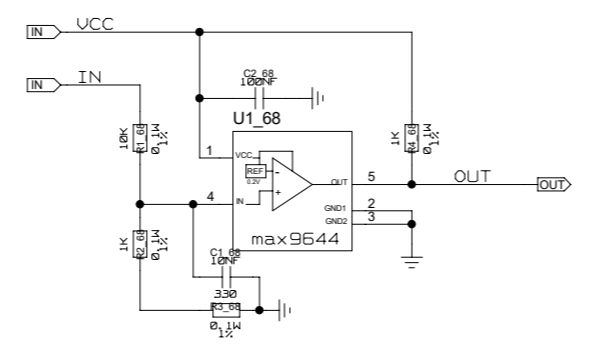
CHECKED	J. V. DE SOUZA			DRAWING TITLE		
CHECKED	U. SCHAEFER					
CHECKED	S. RAVE					
DRAWN	BAUSS					
BLOCK TITLE						
UNIVERSITY OF MAINZ				SIZE <b>C</b>	REV.	DRAWING NO.
				SCALE		SHEET OF

REVISIONS				
ZONE	LTR	DESCRIPTION	DATE	APPR.



CHECKED	J. V. DE SOUZA			DRAWING TITLE		
CHECKED	U. SCHAEFER					
CHECKED	S. RAVE					
DRAWN	BAUSS					
BLOCK TITLE						
UNIVERSITY OF MAINZ				SIZE <b>C</b>	REV.	DRAWING NO.
				SCALE		SHEET OF

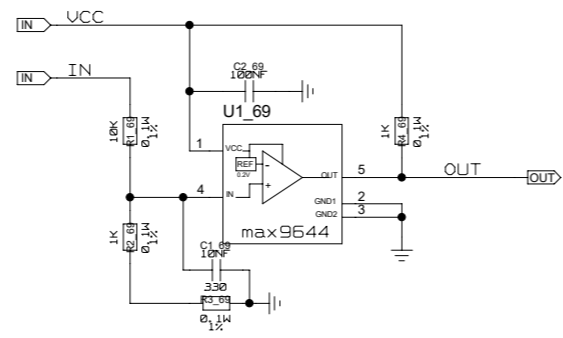
REVISIONS				
ZONE	LTR	DESCRIPTION	DATE	APPR.



CHECKED	J. V. DE SOUZA			DRAWING TITLE		
CHECKED	U. SCHAEFER					
CHECKED	S. RAVE					
DRAWN	BAUSS					
BLOCK TITLE						
UNIVERSITY OF MAINZ				SIZE <b>C</b>	REV.	DRAWING NO.
				SCALE		SHEET OF

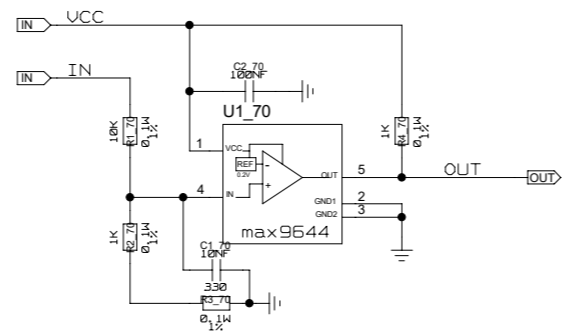


REVISIONS				
ZONE	LTR	DESCRIPTION	DATE	APPR.



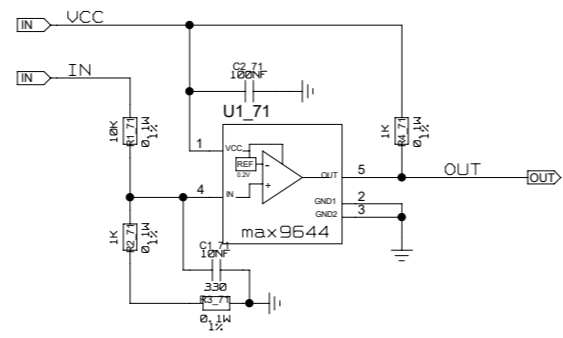
CHECKED	J. V. DE SOUZA			DRAWING TITLE		
CHECKED	U. SCHAEFER					
CHECKED	S. RAVE					
DRAWN	BAUSS					
BLOCK TITLE						
UNIVERSITY OF MAINZ				SIZE <b>C</b>	REV.	DRAWING NO.
				SCALE		SHEET OF

REVISIONS				
ZONE	LTR	DESCRIPTION	DATE	APPR.



	NAME	DATE	SIGN	DRAWING TITLE		
CHECKED	J. V. DE SOUZA					
CHECKED	U. SCHAEFER					
CHECKED	S. RAVE					
DRAWN	BAUSS					
BLOCK TITLE						
UNIVERSITY OF MAINZ				SIZE	REV.	DRAWING NO.
				SCALE		
				SHEET	OF	

REVISIONS				
ZONE	LTR	DESCRIPTION	DATE	APPR.

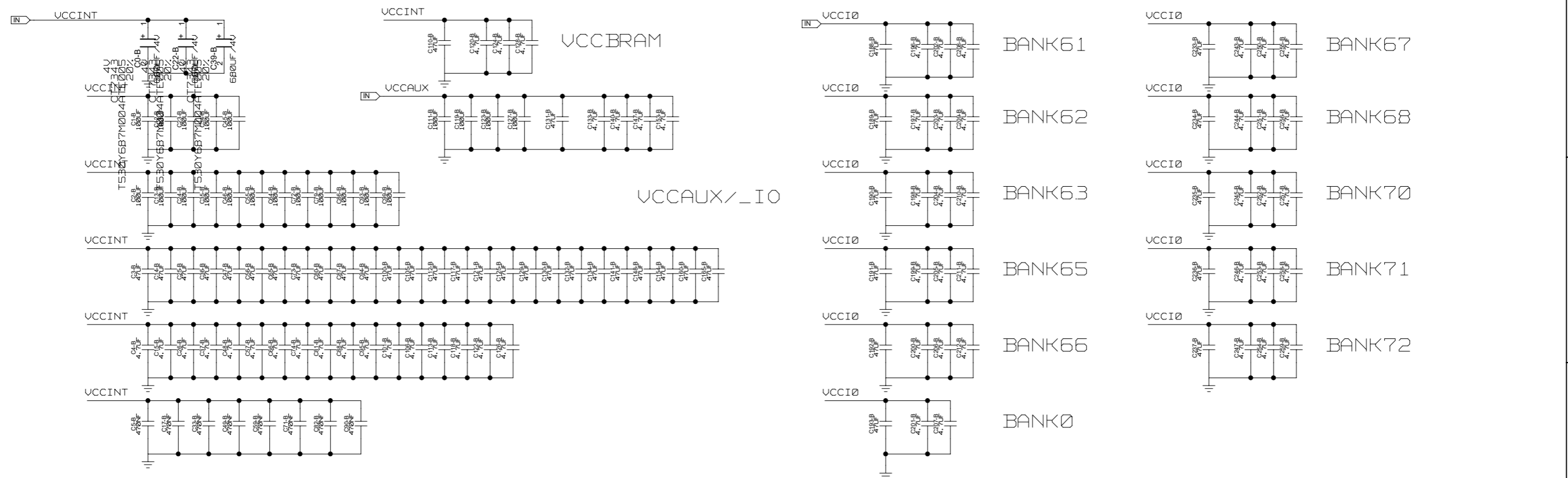


CHECKED	J. V. DE SOUZA			DRAWING TITLE		
CHECKED	U. SCHAEFER					
CHECKED	S. RAVE					
DRAWN	BAUSS					
BLOCK TITLE						
UNIVERSITY OF MAINZ				SIZE <b>C</b>	REV.	DRAWING NO.
				SCALE		SHEET OF

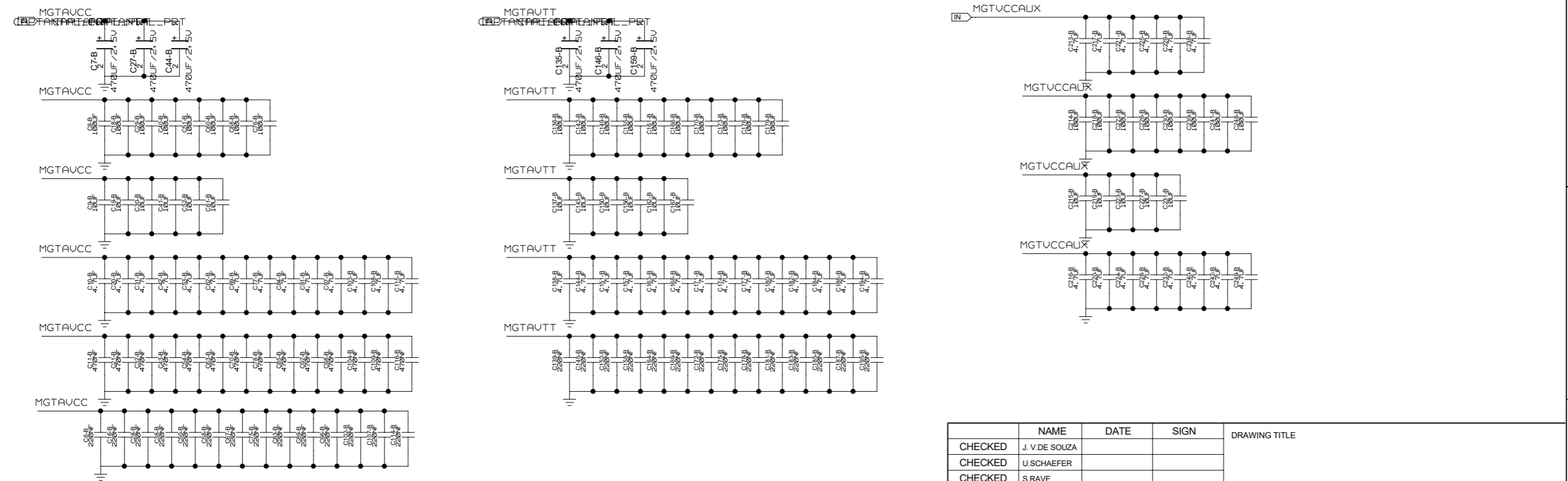




REVISIONS				
ZONE	LTR	DESCRIPTION	DATE	APPR.

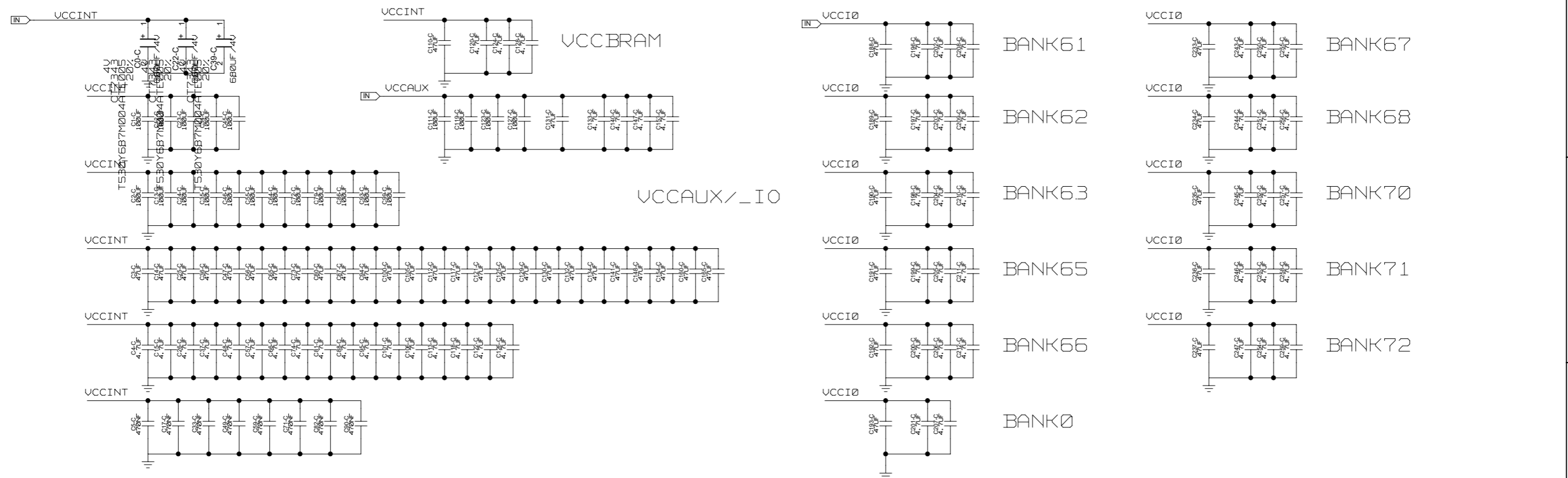


MGT DECOUPLING

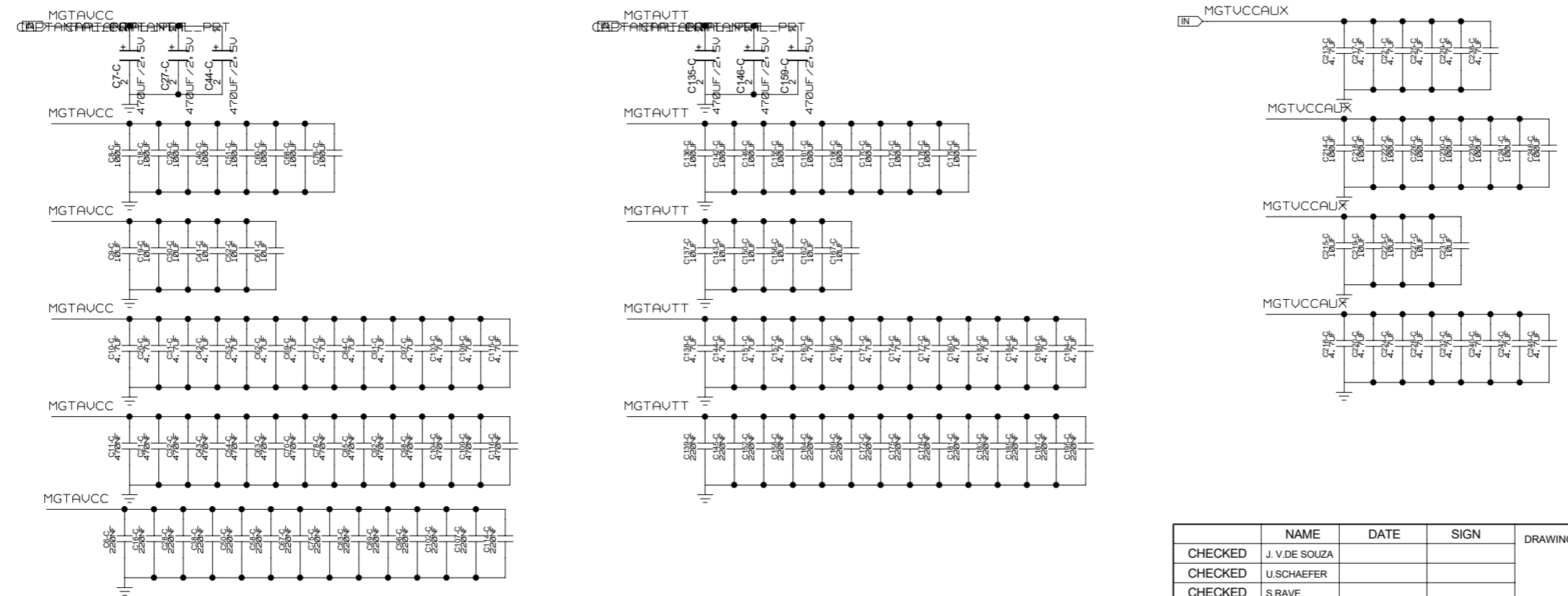


NAME	DATE	SIGN	DRAWING TITLE	
CHECKED J. V. DE SOUZA				
CHECKED U. SCHAEFER				
CHECKED S. RAVE				
DRAWN BAUSS				
BLOCK TITLE				
UNIVERSITY OF MAINZ			SIZE	DRAWING NO.
			SCALE	SHEET OF

REVISIONS				
ZONE	LTR	DESCRIPTION	DATE	APPR.

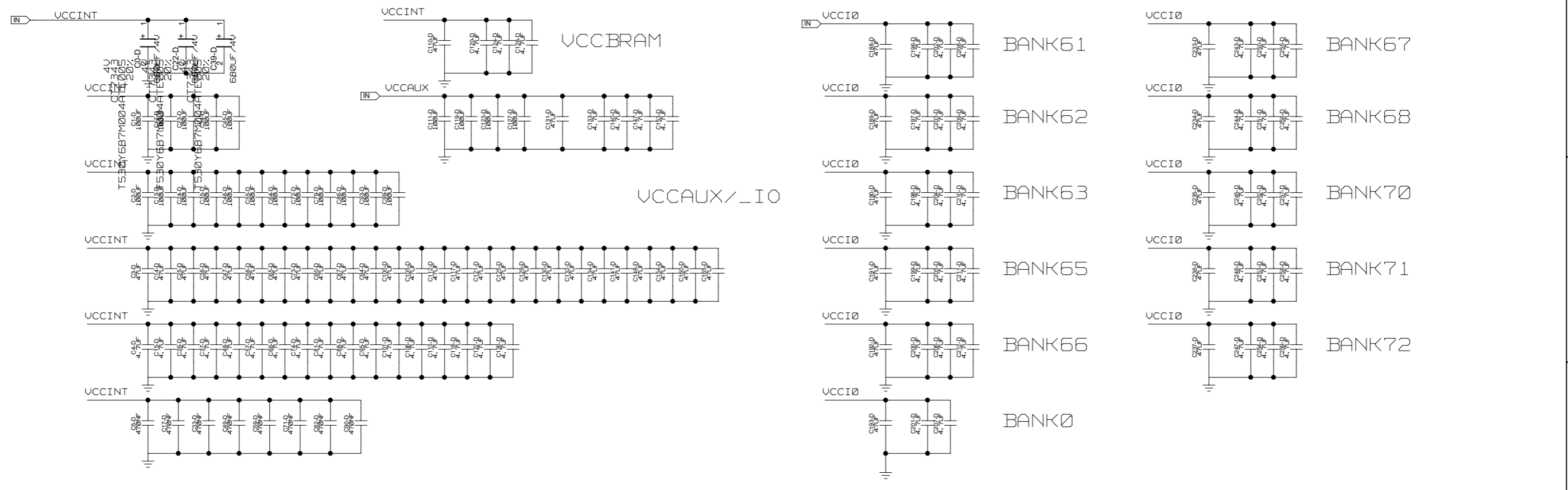


MGT DECOUPLING

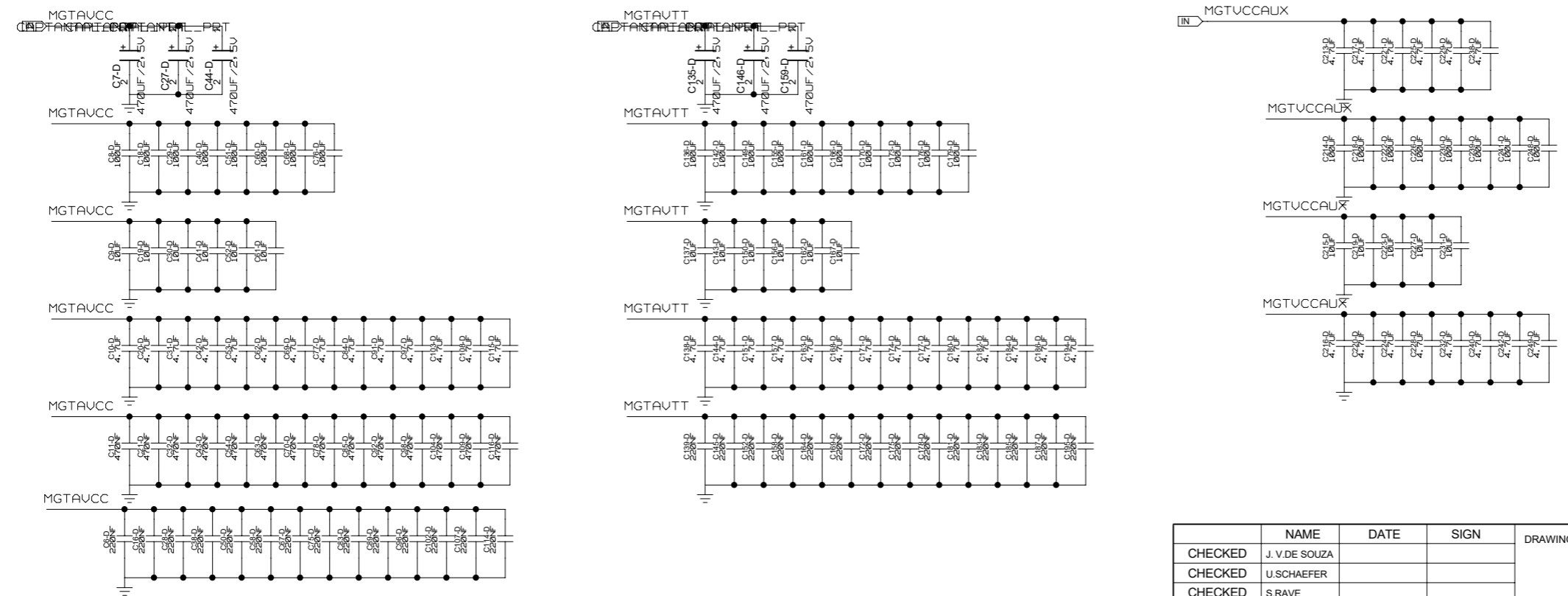


NAME	DATE	SIGN	DRAWING TITLE	
CHECKED J. V. DE SOUZA				
CHECKED U. SCHAEFER				
CHECKED S. RAVE				
DRAWN BAUSS				
BLOCK TITLE				
UNIVERSITY OF MAINZ			SIZE	DRAWING NO.
			SCALE	SHEET OF

REVISIONS				
ZONE	LTR	DESCRIPTION	DATE	APPR.



MGT DECOUPLING

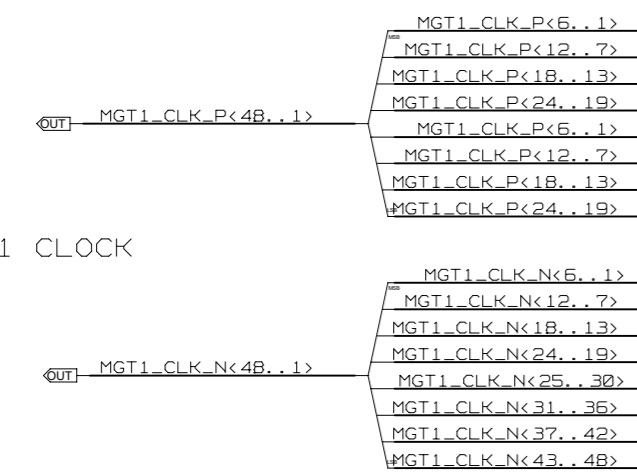
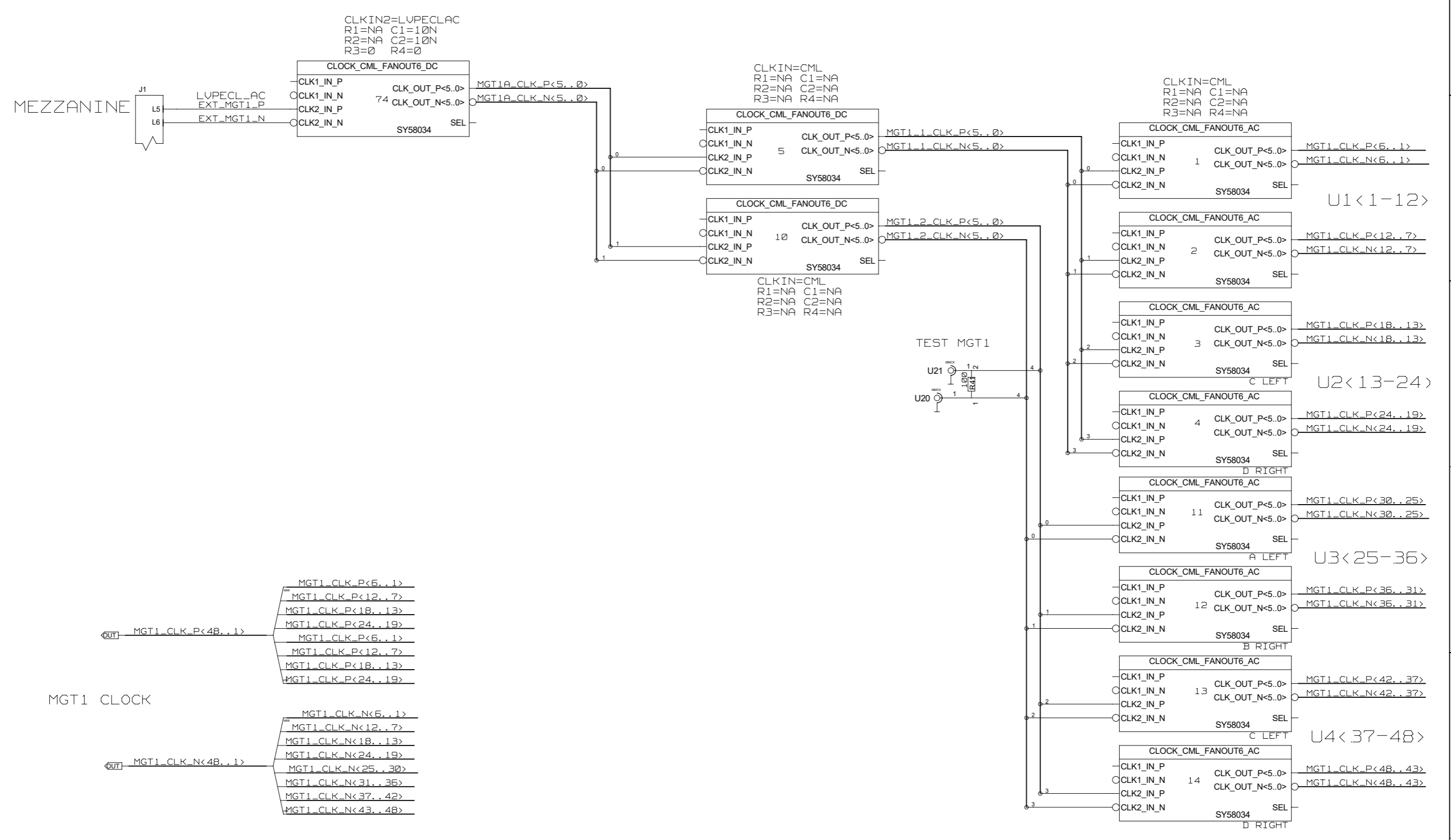


NAME	DATE	SIGN	DRAWING TITLE	
CHECKED J. V. DE SOUZA				
CHECKED U. SCHAEFER				
CHECKED S. RAVE				
DRAWN BAUSS				
BLOCK TITLE				
UNIVERSITY OF MAINZ			SIZE	DRAWING NO.
			SCALE	SHEET OF



# MGT1 CLOCK

REVISIONS				
ZONE	LTR	DESCRIPTION	DATE	APPR.

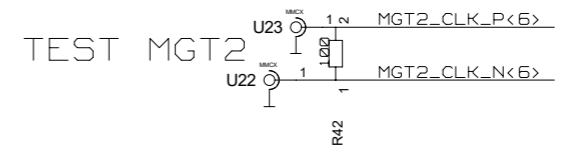
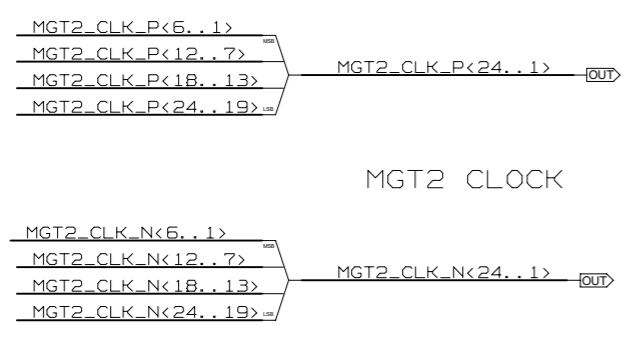
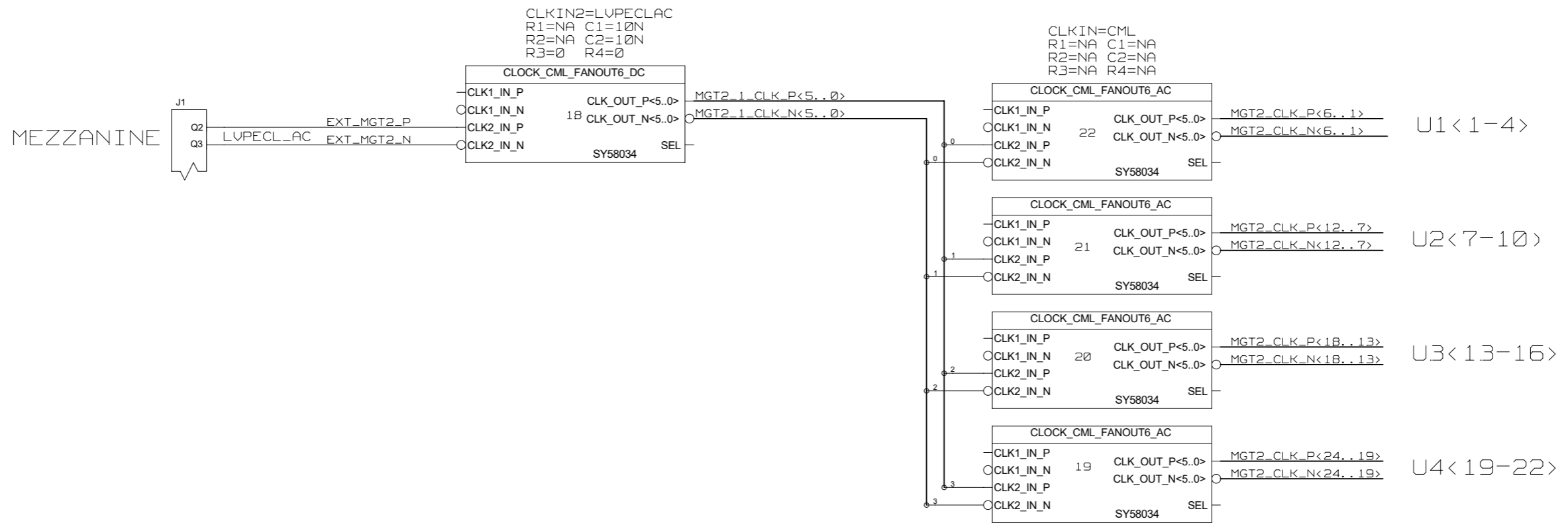


UPDATE PICK & PLACE DATA FOR FANOUT AND MUX

NAME	DATE	SIGN	DRAWING TITLE
CHECKED J.V.DE SOUZA			<b>JFEX</b> MGT1 CLOCK
CHECKED U.SCHAEFER			
CHECKED S.RAVE			
DRAWN BAUSS	08.05.2017		
BLOCK TITLE			
CLOCK			
UNIVERSITY OF MAINZ		SIZE <b>C</b>	DRAWING NO.
SCALE		REV.	SHEET 1 OF 5

REVISIONS				
ZONE	LTR	DESCRIPTION	DATE	APPR.

# MGT2 CLOCK

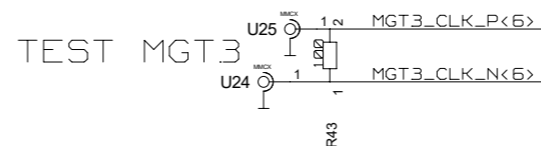
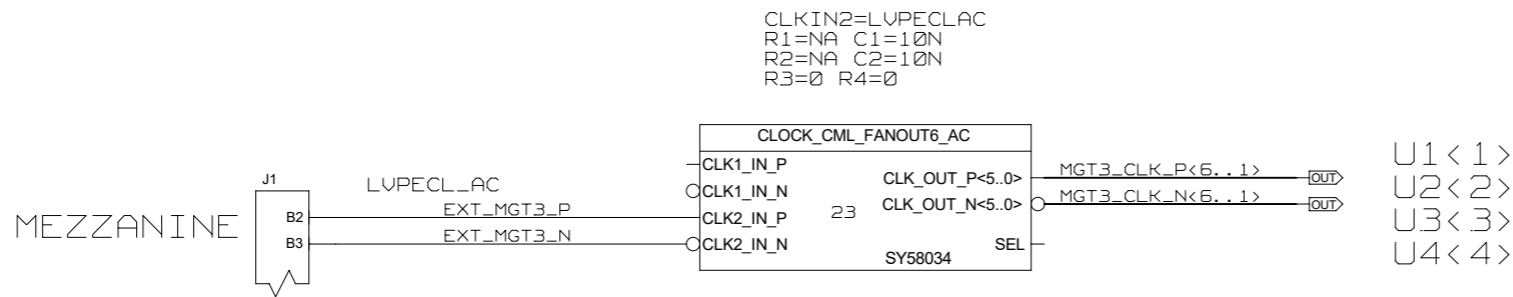


UPDATE PICK & PLACE DATA FOR FANOUT AND MUX

CHECKED	J.V. DE SOUZA			DRAWING TITLE  <b>JFEX</b> MGT2 CLOCK
CHECKED	U.SCHAEFER			
CHECKED	S.RAVE			
DRAWN	BAUSS	08.05.2017		
BLOCK TITLE <b>CLOCK</b>				
UNIVERSITY OF MAINZ		SIZE <b>C</b>	REV.	DRAWING NO.
		SCALE		SHEET 2 OF 5

# MGT.3 CLOCK (ROD REFCLK)

REVISIONS				
ZONE	LTR	DESCRIPTION	DATE	APPR.

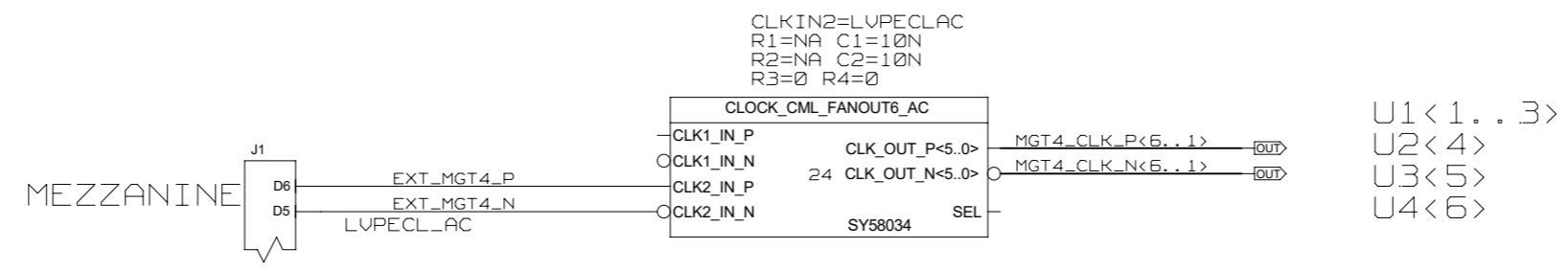


UPDATE PICK & PLACE DATA FOR FANOUT AND MUX

NAME	DATE	SIGN	DRAWING TITLE	
CHECKED	J.V.DE SOUZA		<p>JFEX</p> <p>MGT.3 CLOCK (ROD REFCLK)</p>	
CHECKED	U.SCHAEFER			
CHECKED	S.RAVE			
DRAWN	BAUSS	08.06.2017		
BLOCK TITLE			CLOCK	
UNIVERSITY OF MAINZ			SIZE	DRAWING NO.
			C	
			SCALE	SHEET 3 OF 5

REVISIONS				
ZONE	LTR	DESCRIPTION	DATE	APPR.

# MGT4 CLOCK (IPBUS REFCLK)



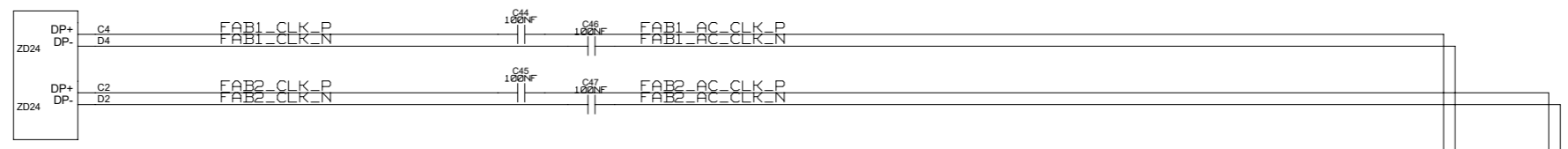
UPDATE PICK & PLACE DATA FOR FANOUT AND MUX

	NAME	DATE	SIGN	DRAWING TITLE
CHECKED	J.V.DE SOUZA			JFEX
CHECKED	U.SCHAEFER			
CHECKED	S.RAVE			
DRAWN	BAUSS	08.05.2017		MGT4 CLOCK (IPBUS REFCLK)
BLOCK TITLE				
CLOCK				
UNIVERSITY OF MAINZ		SIZE	REV.	DRAWING NO.
		<b>C</b>		
SCALE				SHEET 4 OF 5

REVISIONS				
ZONE	LTR	DESCRIPTION	DATE	APPR.

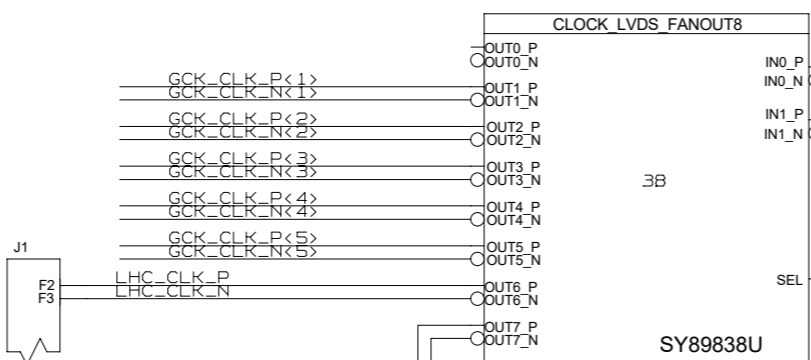
# GLOBAL CLOCK

FABRIC CHANNEL



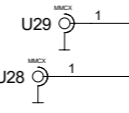
CTRL<1,3>

MEZZANINE

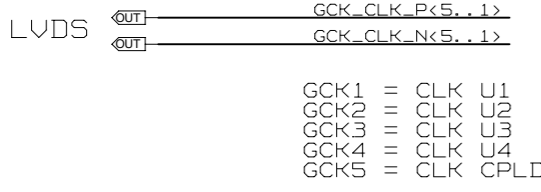
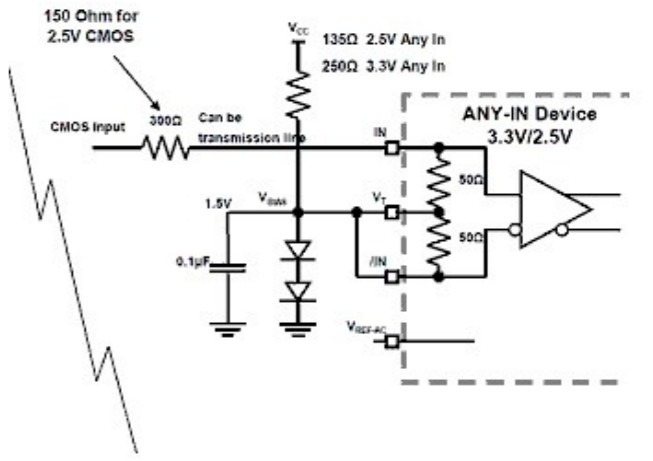


CLKIN0=LVPECL  
 CLKIN1=LVPECL  
 R1=NA C1=10NF  
 R2=NA C2=10NF  
 R3=0R R4=0R  
 R408\_3B + R415\_3B =100R  
 R409\_3B - R414\_3B =NA

TEST GCK

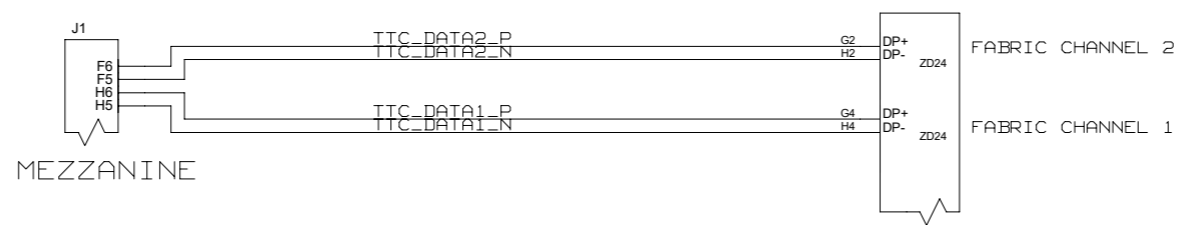


## CMOS to Any-In



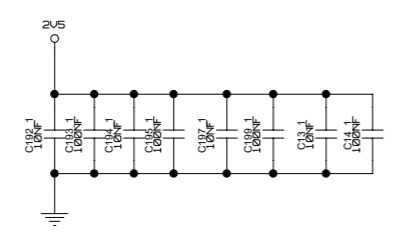
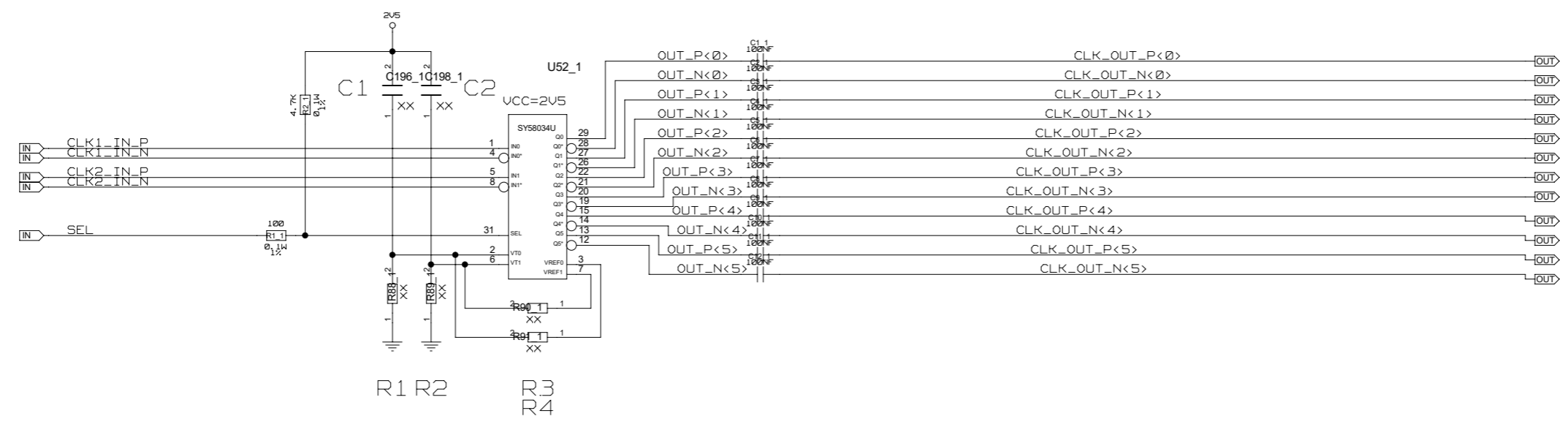
NAME	DATE	SIGN	DRAWING TITLE
CHECKED J.V.DE SOUZA			JFEX GLOBAL CLOCK
CHECKED U.SCHAEFER			
CHECKED S.RAVE			
DRAWN BAUSS	17. 08. 2015		
BLOCK TITLE			CLOCK
UNIVERSITY OF MAINZ			SIZE C
SCALE			REV.
DRAWING NO.			SHEET 5 OF 5

REVISIONS				
ZONE	LTR	DESCRIPTION	DATE	APPR.

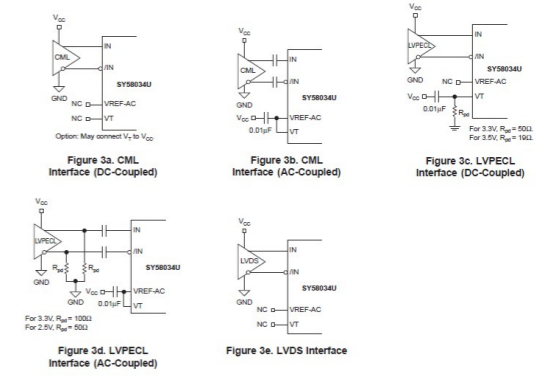


CHECKED	J.V. DE SOUZA			DRAWING TITLE  <b>JFEX TTC DATA</b>		
CHECKED	U.SCHAEFER					
CHECKED	S.RAVE					
DRAWN	BAUSS	06.11.2015				
BLOCK TITLE <b>CLOCK</b>						
UNIVERSITY OF MAINZ				SIZE <b>C</b>	REV.	DRAWING NO.
SCALE				SHEET		OF

REVISIONS				
ZONE	LTR	DESCRIPTION	DATE	APPR.

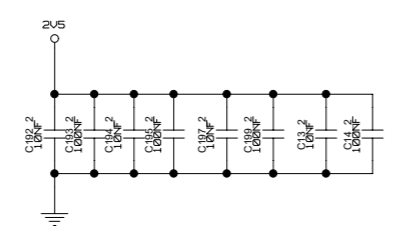
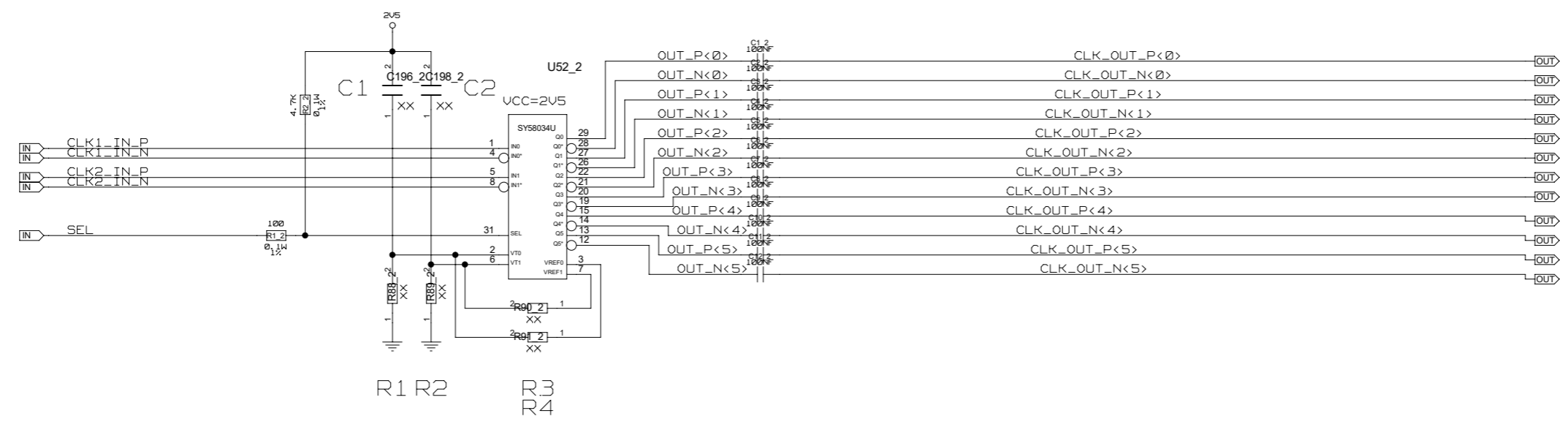


**INPUT INTERFACE APPLICATIONS**

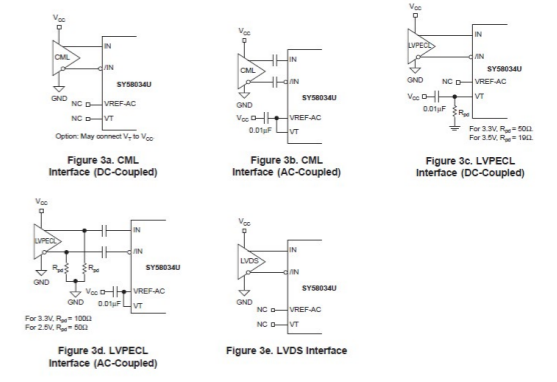


	NAME	DATE	SIGN	DRAWING TITLE  <b>CLOCK</b>
CHECKED	J. V. DE SOUZA			
CHECKED	U. SCHAEFER			
CHECKED	S. RAVE			
DRAWN	BAUSS			
BLOCK TITLE <b>CLOCK CML FANOUT6 AC</b>				
UNIVERSITY OF MAINZ		SIZE <b>C</b>	REV.	DRAWING NO.
SCALE				SHEET OF

REVISIONS				
ZONE	LTR	DESCRIPTION	DATE	APPR.



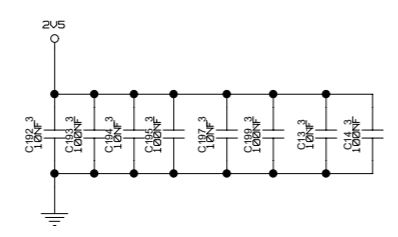
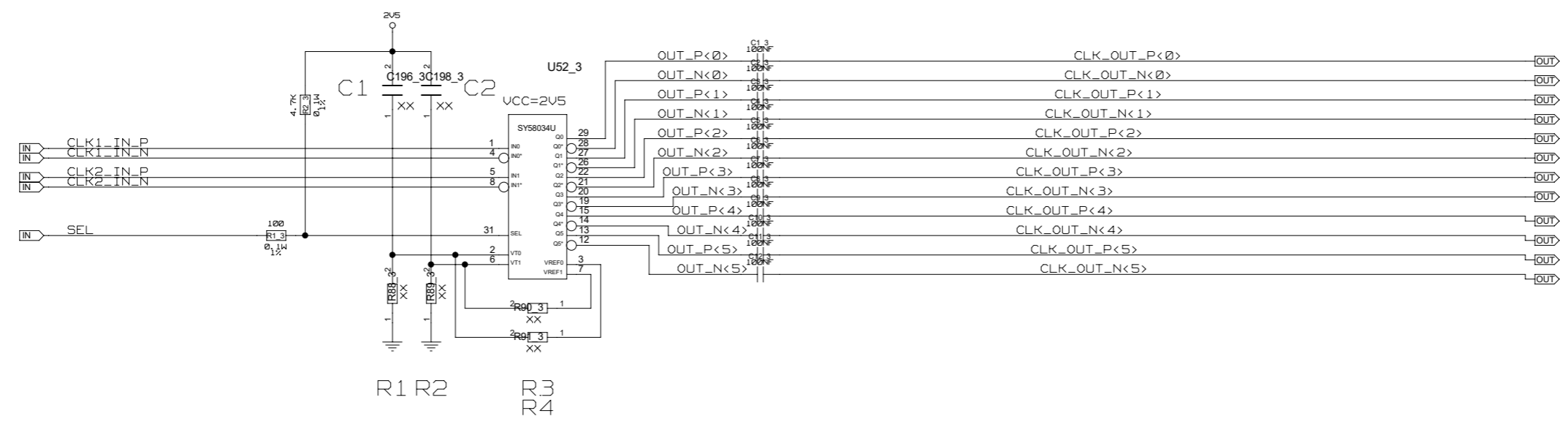
**INPUT INTERFACE APPLICATIONS**



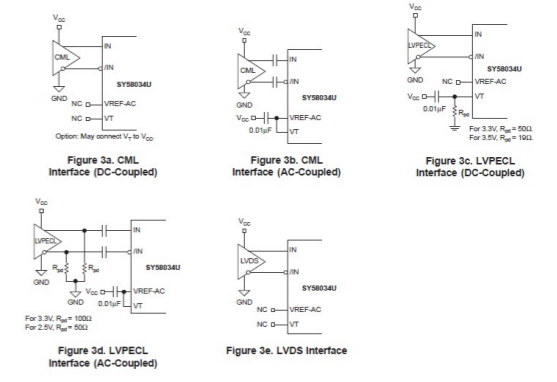
CHECKED	J. V. DE SOUZA			DRAWING TITLE  <b>CLOCK</b>
CHECKED	U.SCHAEFER			
CHECKED	S.RAVE			
DRAWN	BAUSS			
BLOCK TITLE <b>CLOCK CML FANOUT6 AC</b>				
UNIVERSITY OF MAINZ		SIZE <b>C</b>	REV.	DRAWING NO.
SCALE				SHEET OF



REVISIONS				
ZONE	LTR	DESCRIPTION	DATE	APPR.

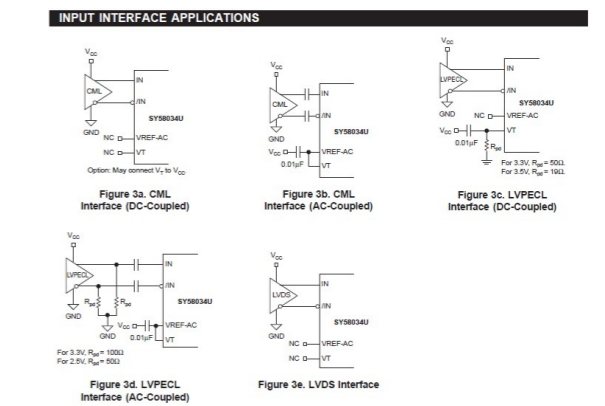
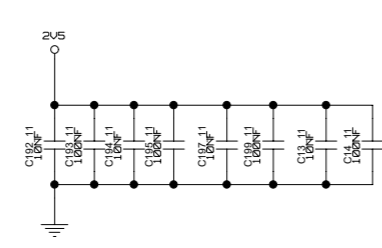
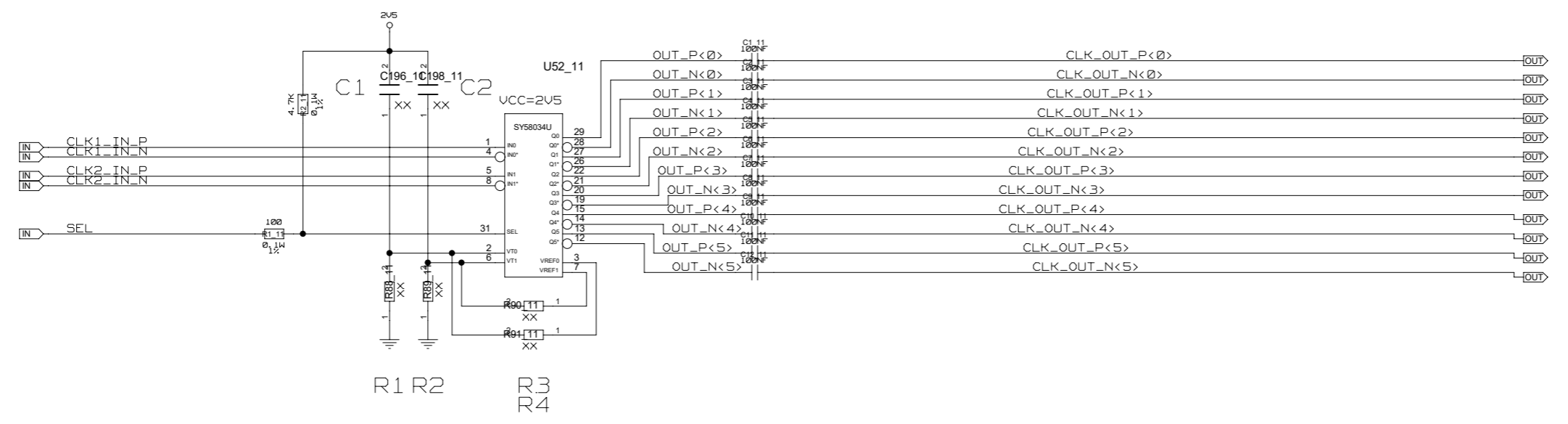


**INPUT INTERFACE APPLICATIONS**



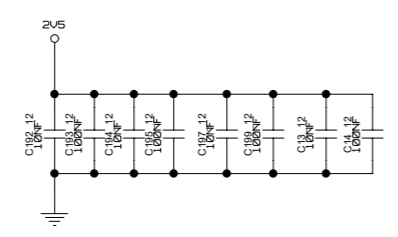
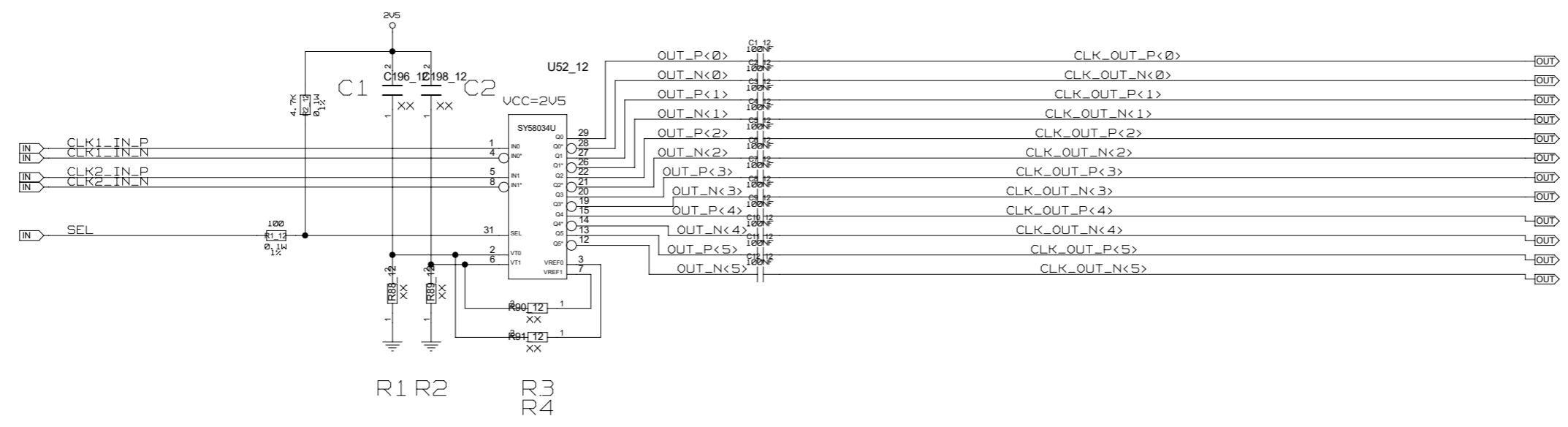
	NAME	DATE	SIGN	DRAWING TITLE  <b>CLOCK</b>
CHECKED	J. V. DE SOUZA			
CHECKED	U. SCHAEFER			
CHECKED	S. RAVE			
DRAWN	BAUSS			
BLOCK TITLE <b>CLOCK CML FANOUT6 AC</b>				
UNIVERSITY OF MAINZ		SIZE <b>C</b>	REV.	DRAWING NO.
SCALE				SHEET OF

REVISIONS				
ZONE	LTR	DESCRIPTION	DATE	APPR.

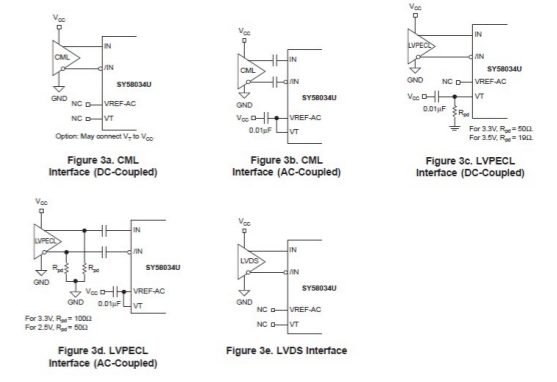


	NAME	DATE	SIGN	DRAWING TITLE  <b>CLOCK</b>
CHECKED	J. V. DE SOUZA			
CHECKED	U. SCHAEFER			
CHECKED	S. RAVE			
DRAWN	BAUSS			
BLOCK TITLE <b>CLOCK CML FANOUT6 AC</b>				
UNIVERSITY OF MAINZ		SIZE <b>C</b>	REV.	DRAWING NO.
SCALE				SHEET OF

REVISIONS				
ZONE	LTR	DESCRIPTION	DATE	APPR.

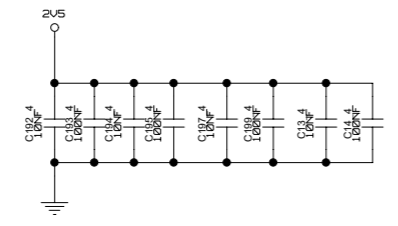
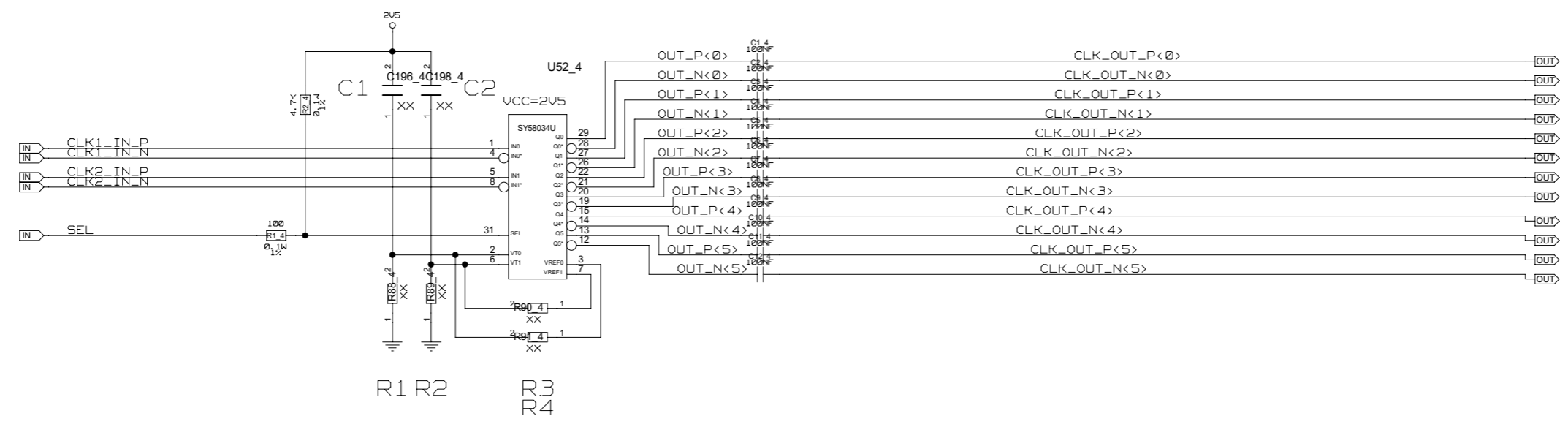


**INPUT INTERFACE APPLICATIONS**

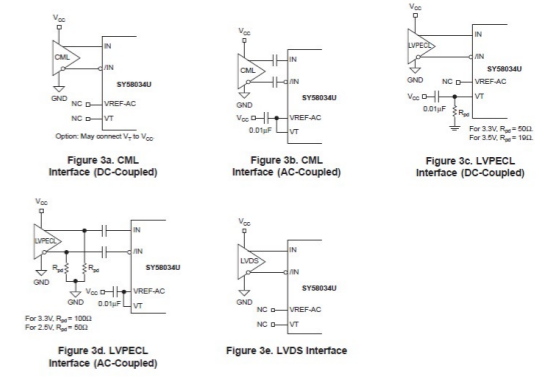


	NAME	DATE	SIGN	DRAWING TITLE  <b>CLOCK</b>
CHECKED	J. V. DE SOUZA			
CHECKED	U. SCHAEFER			
CHECKED	S. RAVE			
DRAWN	BAUSS			
BLOCK TITLE <b>CLOCK CML FANOUT6 AC</b>				
UNIVERSITY OF MAINZ		SIZE <b>C</b>	REV.	DRAWING NO.
SCALE				SHEET OF

REVISIONS				
ZONE	LTR	DESCRIPTION	DATE	APPR.

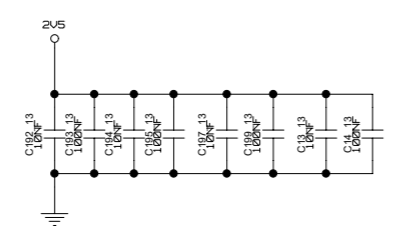
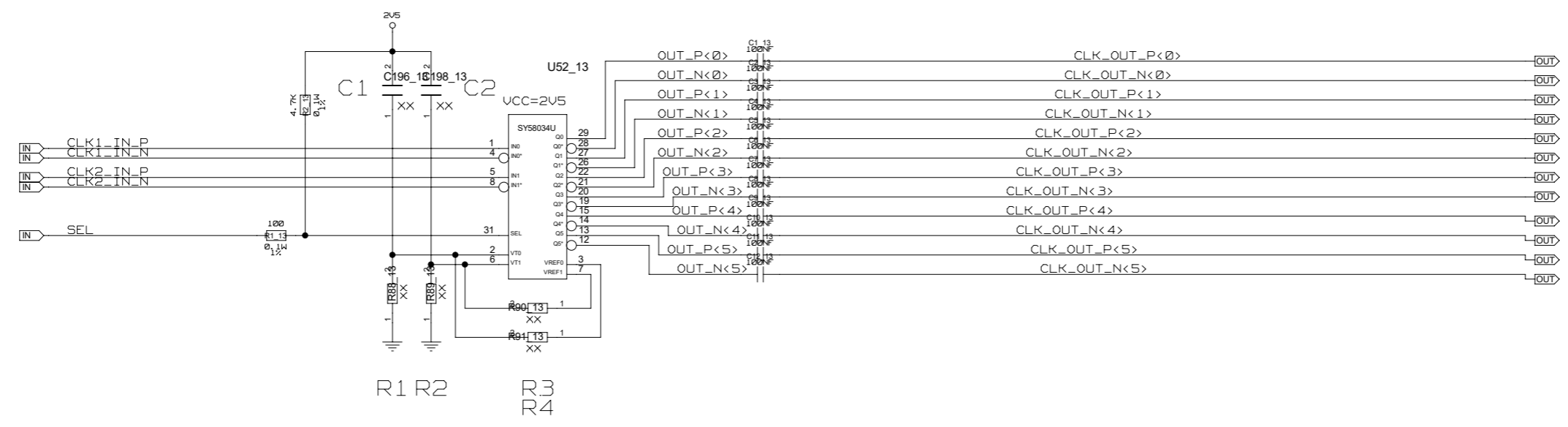


**INPUT INTERFACE APPLICATIONS**

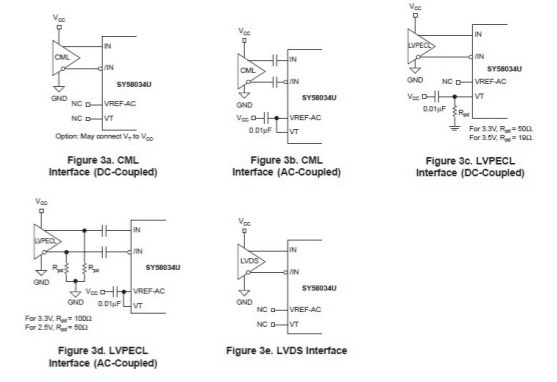


	NAME	DATE	SIGN	DRAWING TITLE  <b>CLOCK</b>
CHECKED	J. V. DE SOUZA			
CHECKED	U. SCHAEFER			
CHECKED	S. RAVE			
DRAWN	BAUSS			
BLOCK TITLE <b>CLOCK CML FANOUT6 AC</b>				
UNIVERSITY OF MAINZ		SIZE <b>C</b>	REV.	DRAWING NO.
SCALE				SHEET OF

REVISIONS				
ZONE	LTR	DESCRIPTION	DATE	APPR.

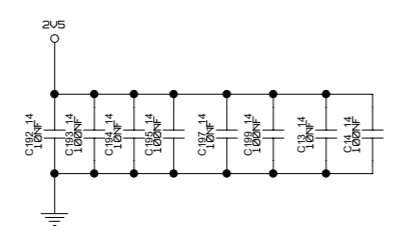
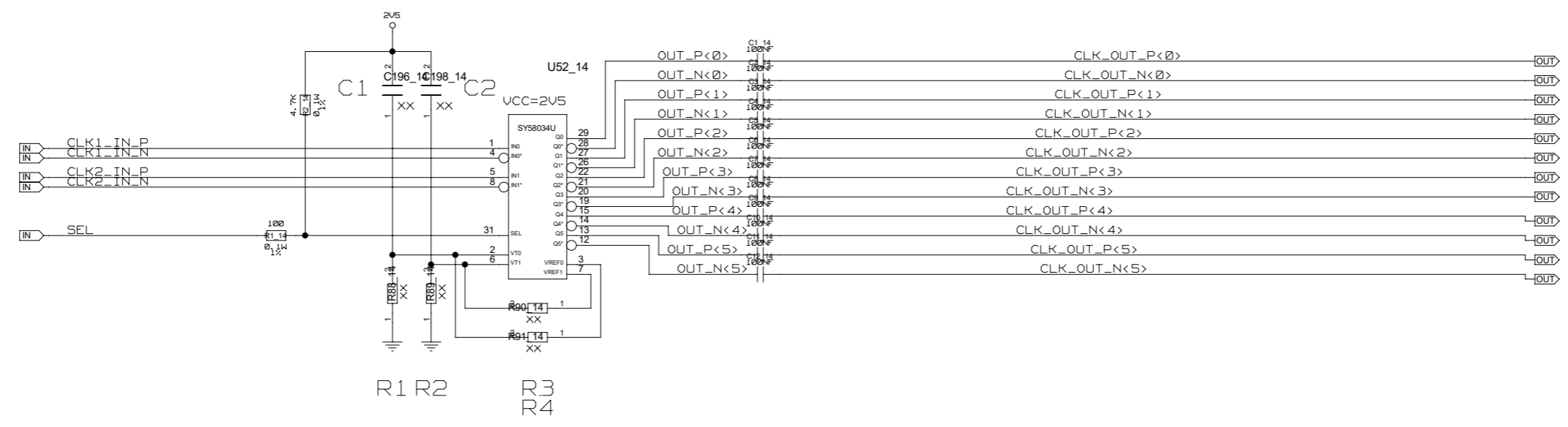


**INPUT INTERFACE APPLICATIONS**

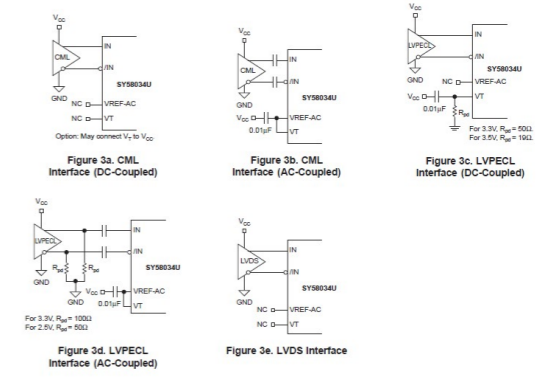


	NAME	DATE	SIGN	DRAWING TITLE  <b>CLOCK</b>
CHECKED	J. V. DE SOUZA			
CHECKED	U. SCHAEFER			
CHECKED	S. RAVE			
DRAWN	BAUSS			
BLOCK TITLE <b>CLOCK CML FANOUT6 AC</b>				
UNIVERSITY OF MAINZ		SIZE <b>C</b>	REV.	DRAWING NO.
SCALE				SHEET OF

REVISIONS				
ZONE	LTR	DESCRIPTION	DATE	APPR.

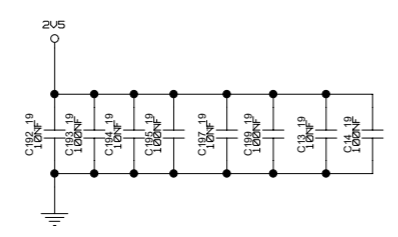
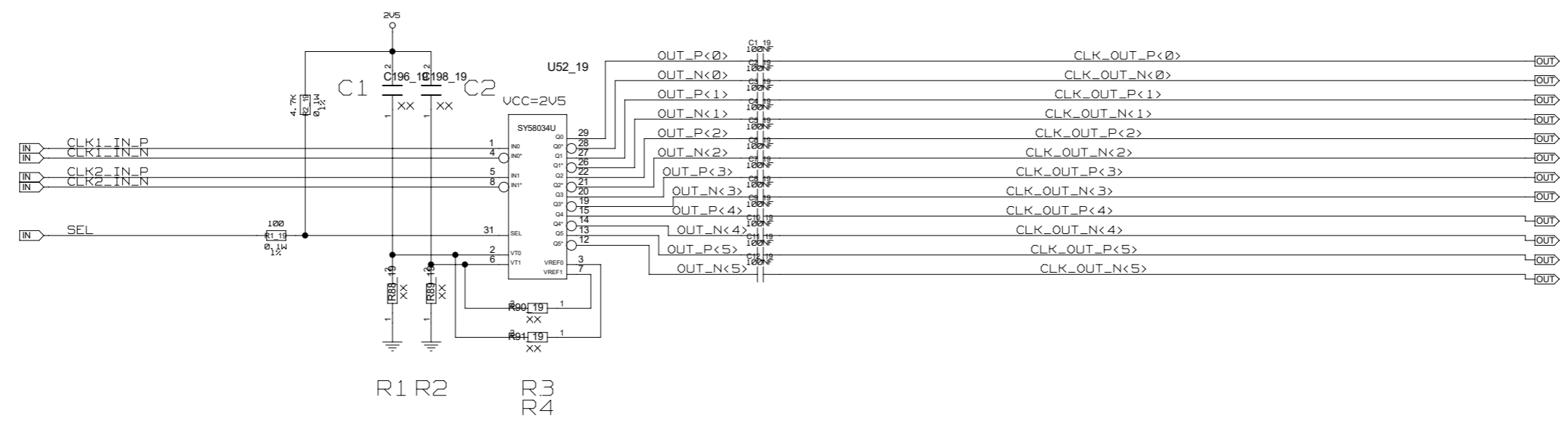


**INPUT INTERFACE APPLICATIONS**

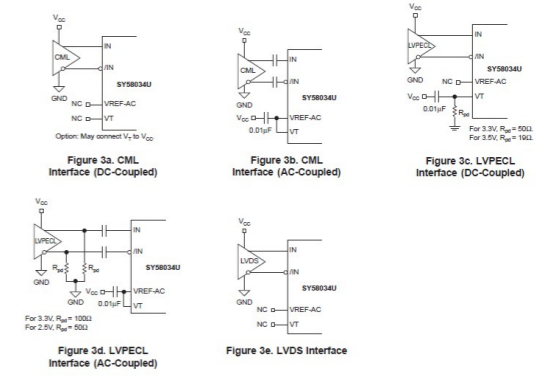


CHECKED	J. V. DE SOUZA			DRAWING TITLE  <b>CLOCK</b>
CHECKED	U.SCHAEFER			
CHECKED	S.RAVE			
DRAWN	BAUSS			
BLOCK TITLE <b>CLOCK CML FANOUT6 AC</b>				
UNIVERSITY OF MAINZ		SIZE <b>C</b>	REV.	DRAWING NO.
SCALE				SHEET OF

REVISIONS				
ZONE	LTR	DESCRIPTION	DATE	APPR.

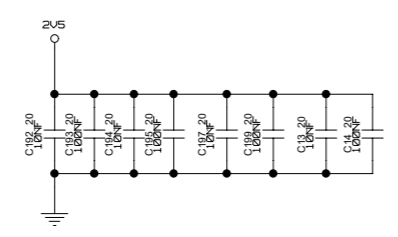
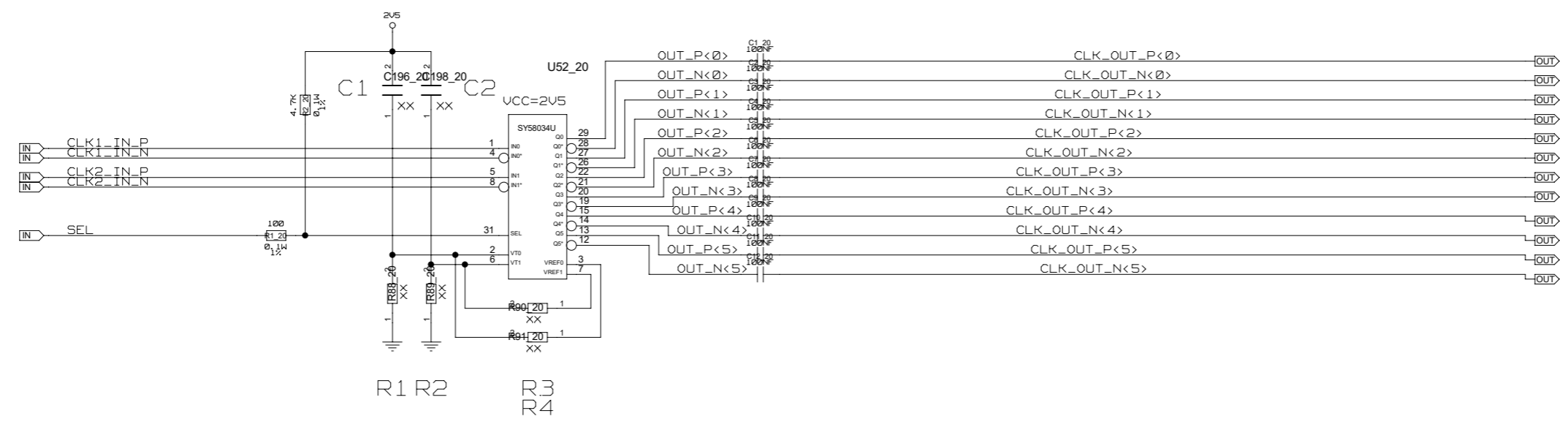


**INPUT INTERFACE APPLICATIONS**

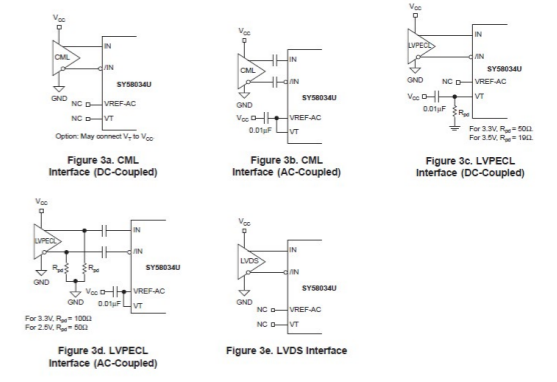


CHECKED	J. V. DE SOUZA			DRAWING TITLE  CLOCK
CHECKED	U.SCHAEFER			
CHECKED	S.RAVE			
DRAWN	BAUSS			
BLOCK TITLE CLOCK CML FANOUT6 AC				SIZE <b>C</b>
UNIVERSITY OF MAINZ				REV.
SCALE				DRAWING NO.
SHEET				OF

REVISIONS				
ZONE	LTR	DESCRIPTION	DATE	APPR.



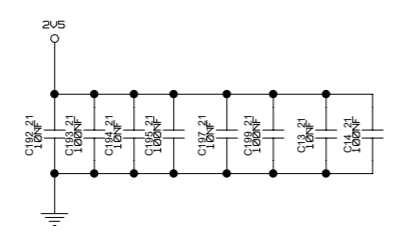
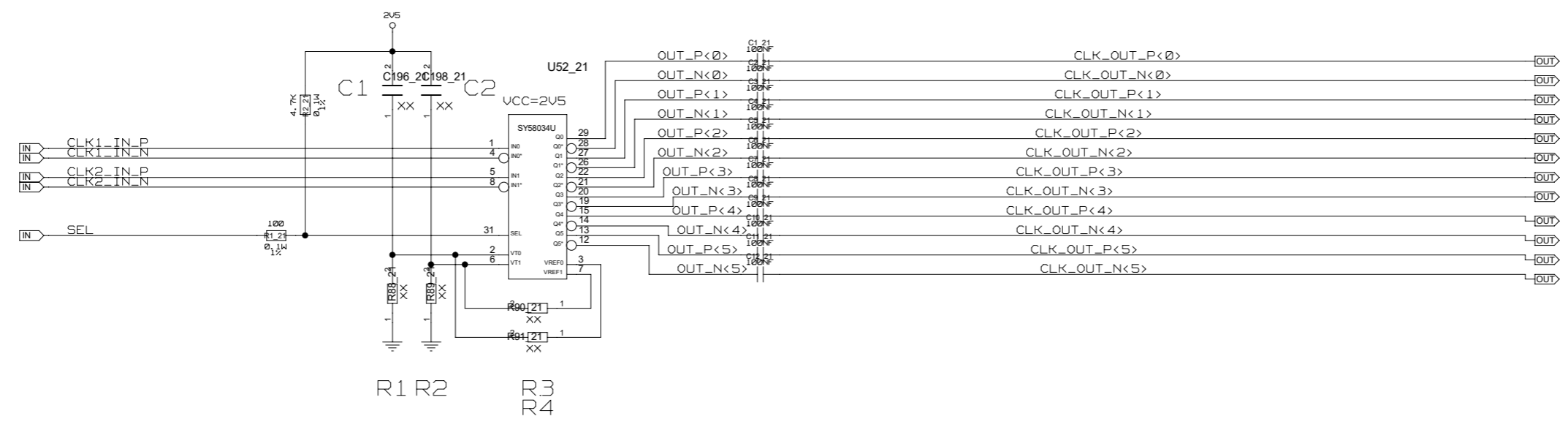
**INPUT INTERFACE APPLICATIONS**



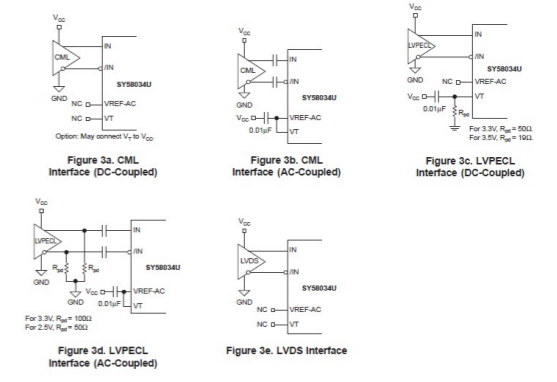
CHECKED	J. V. DE SOUZA			DRAWING TITLE  <b>CLOCK</b>
CHECKED	U. SCHAEFER			
CHECKED	S. RAVE			
DRAWN	BAUSS			
BLOCK TITLE <b>CLOCK CML FANOUT6 AC</b>				
UNIVERSITY OF MAINZ		SIZE <b>C</b>	REV.	DRAWING NO.
SCALE				SHEET OF



REVISIONS				
ZONE	LTR	DESCRIPTION	DATE	APPR.

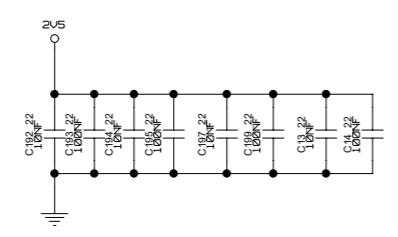
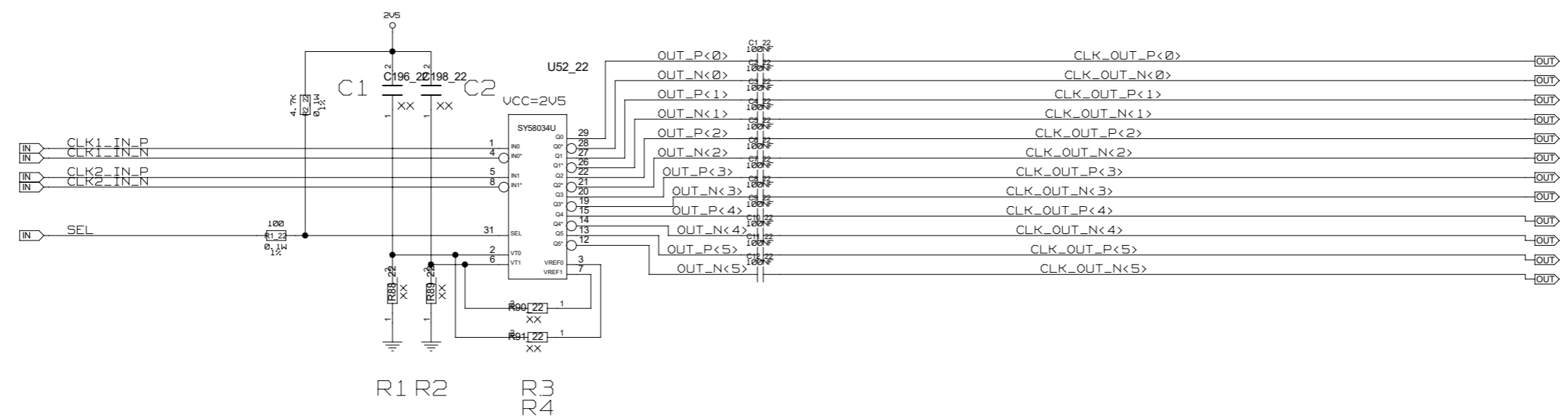


**INPUT INTERFACE APPLICATIONS**

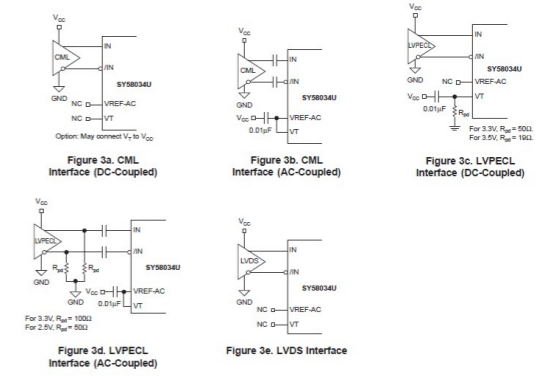


	NAME	DATE	SIGN	DRAWING TITLE  <b>CLOCK</b>
CHECKED	J. V. DE SOUZA			
CHECKED	U. SCHAEFER			
CHECKED	S. RAVE			
DRAWN	BAUSS			
BLOCK TITLE <b>CLOCK CML FANOUT6 AC</b>				
UNIVERSITY OF MAINZ		SIZE <b>C</b>	REV.	DRAWING NO.
SCALE				SHEET OF

REVISIONS				
ZONE	LTR	DESCRIPTION	DATE	APPR.

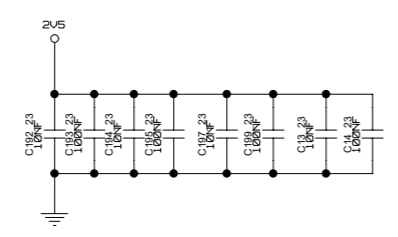
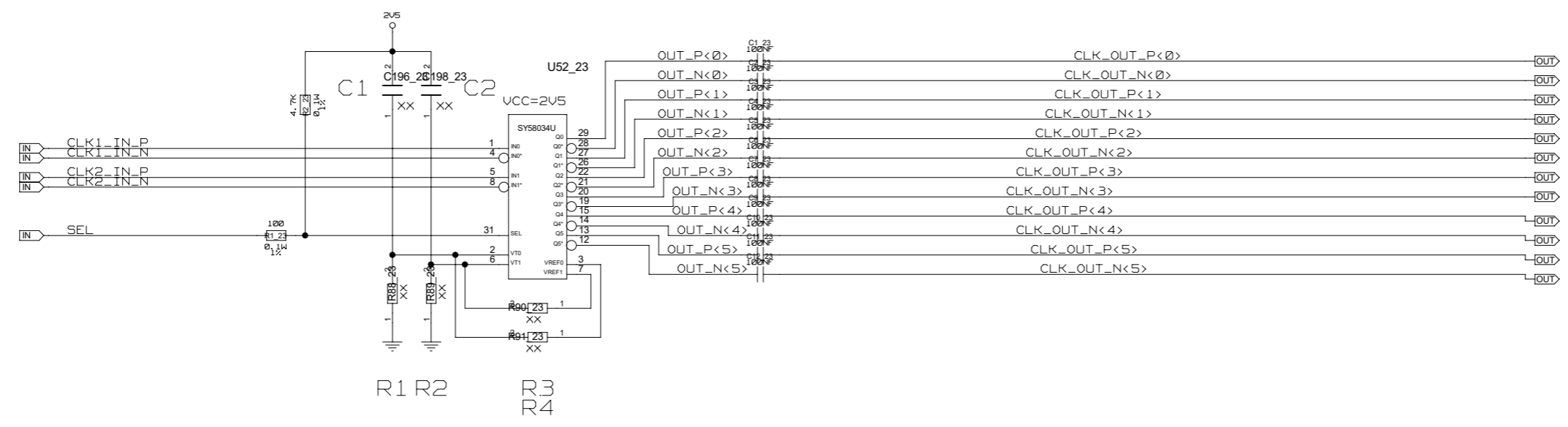


**INPUT INTERFACE APPLICATIONS**

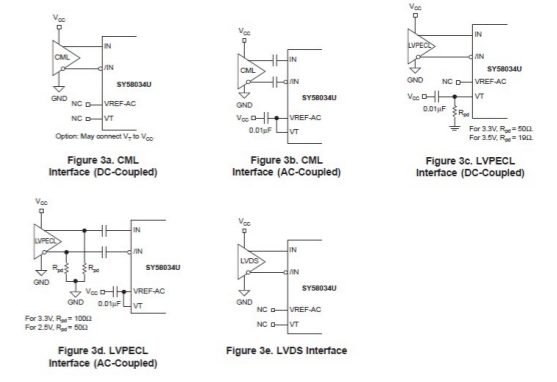


CHECKED	J. V. DE SOUZA			DRAWING TITLE  <b>CLOCK</b>
CHECKED	U.SCHAEFER			
CHECKED	S.RAVE			
DRAWN	BAUSS			
BLOCK TITLE <b>CLOCK CML FANOUT6 AC</b>				
UNIVERSITY OF MAINZ		SIZE <b>C</b>	REV.	DRAWING NO.
SCALE				SHEET OF

REVISIONS				
ZONE	LTR	DESCRIPTION	DATE	APPR.

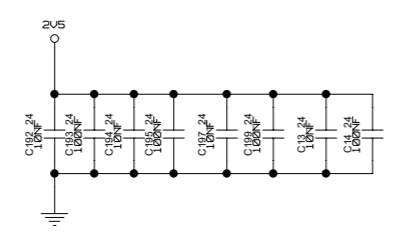
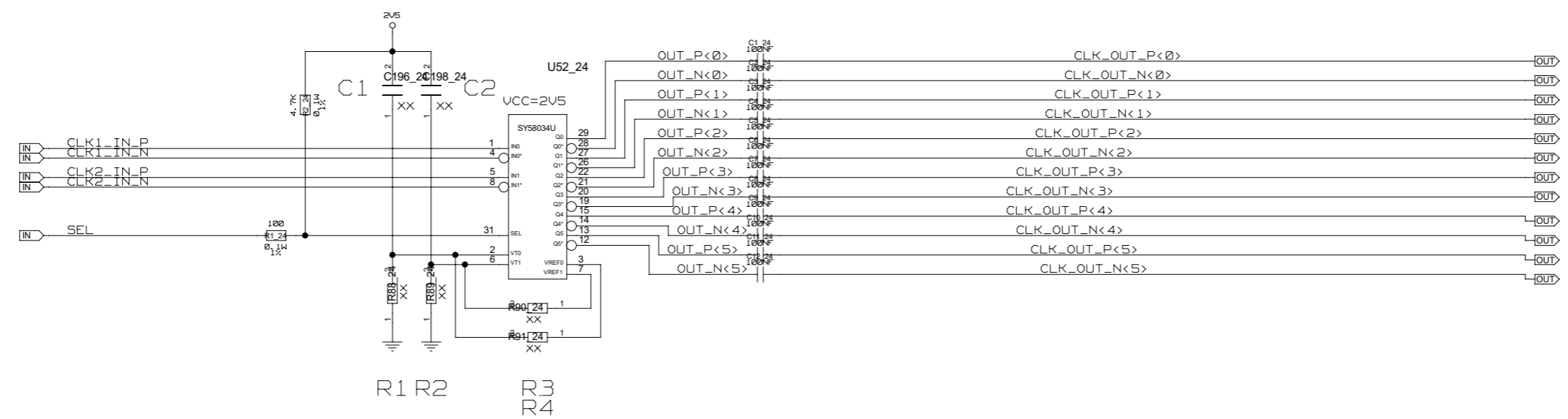


**INPUT INTERFACE APPLICATIONS**

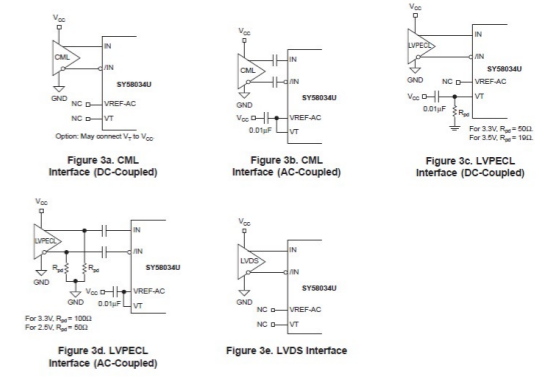


CHECKED	J. V. DE SOUZA			DRAWING TITLE  <b>CLOCK</b>
CHECKED	U.SCHAEFER			
CHECKED	S.RAVE			
DRAWN	BAUSS			
BLOCK TITLE <b>CLOCK CML FANOUT6 AC</b>				
UNIVERSITY OF MAINZ		SIZE <b>C</b>	REV.	DRAWING NO.
SCALE				SHEET OF

REVISIONS				
ZONE	LTR	DESCRIPTION	DATE	APPR.

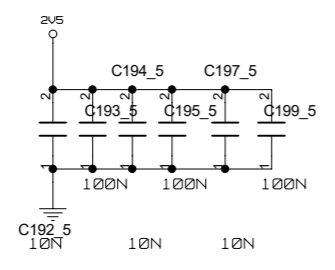
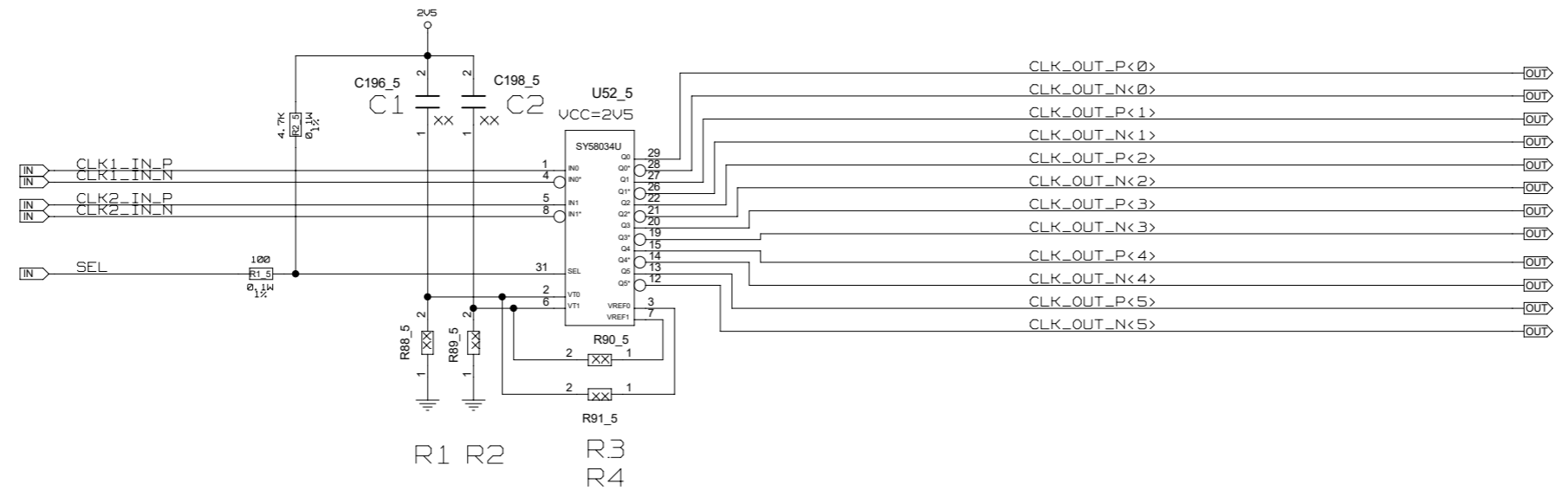


**INPUT INTERFACE APPLICATIONS**

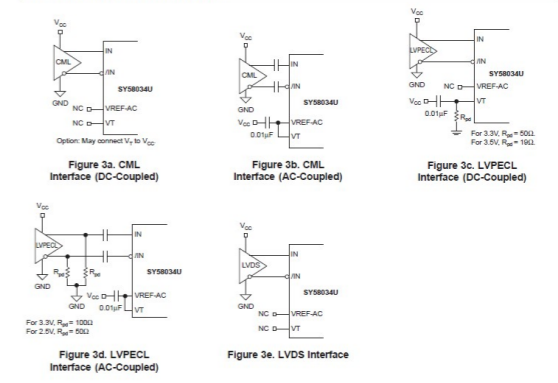


CHECKED	J. V. DE SOUZA			DRAWING TITLE  <b>CLOCK</b>
CHECKED	U.SCHAEFER			
CHECKED	S.RAVE			
DRAWN	BAUSS			
BLOCK TITLE <b>CLOCK CML FANOUT6 AC</b>				
UNIVERSITY OF MAINZ		SIZE <b>C</b>	REV.	DRAWING NO.
SCALE				SHEET OF

REVISIONS				
ZONE	LTR	DESCRIPTION	DATE	APPR.

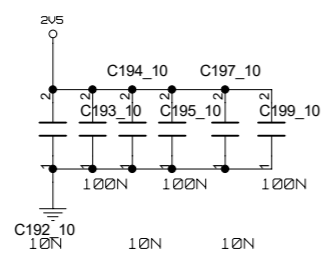
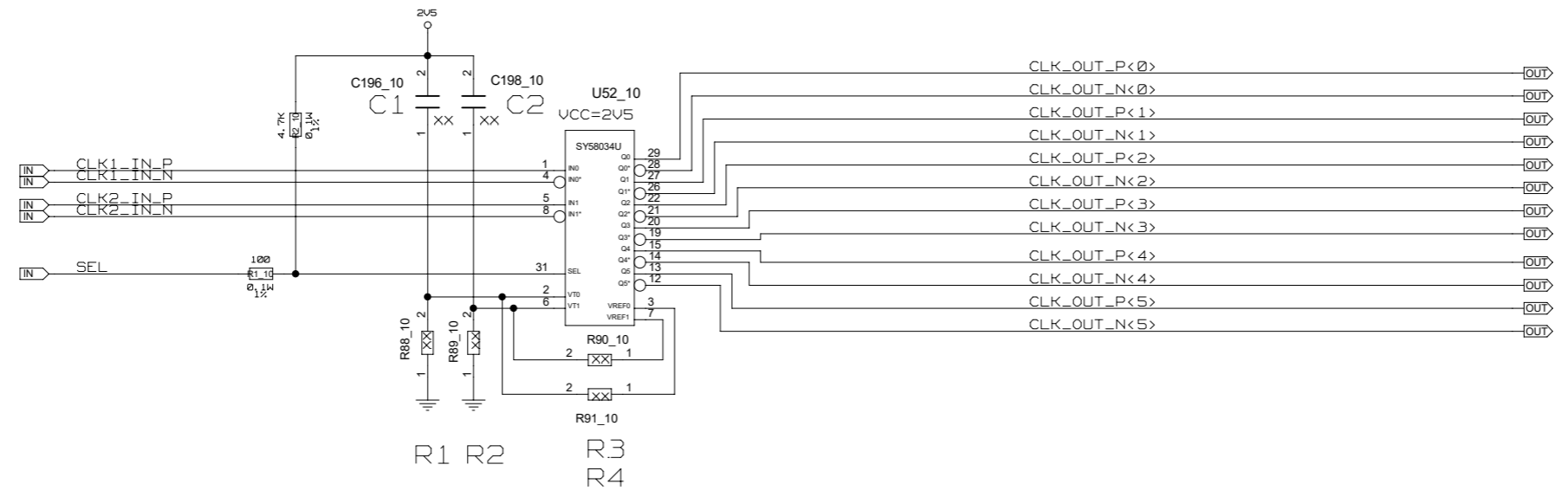


**INPUT INTERFACE APPLICATIONS**

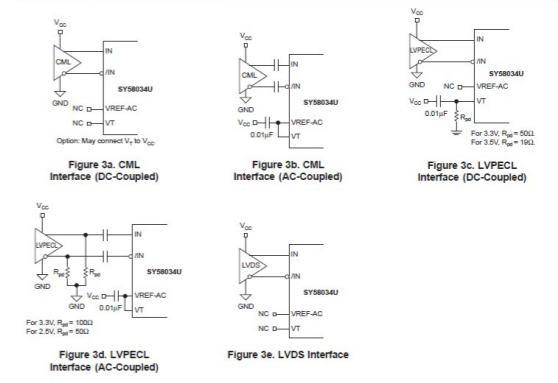


CHECKED	J. V. DE SOUZA			DRAWING TITLE  <b>CLOCK</b>
CHECKED	U.SCHAEFER			
CHECKED	S.RAVE			
DRAWN	BAUSS			
BLOCK TITLE <b>CLOCK_CML_FANOUT6_DC</b>				
UNIVERSITY OF MAINZ		SIZE <b>C</b>	REV.	DRAWING NO.
SCALE				SHEET OF

REVISIONS				
ZONE	LTR	DESCRIPTION	DATE	APPR.

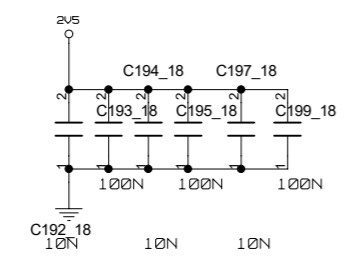
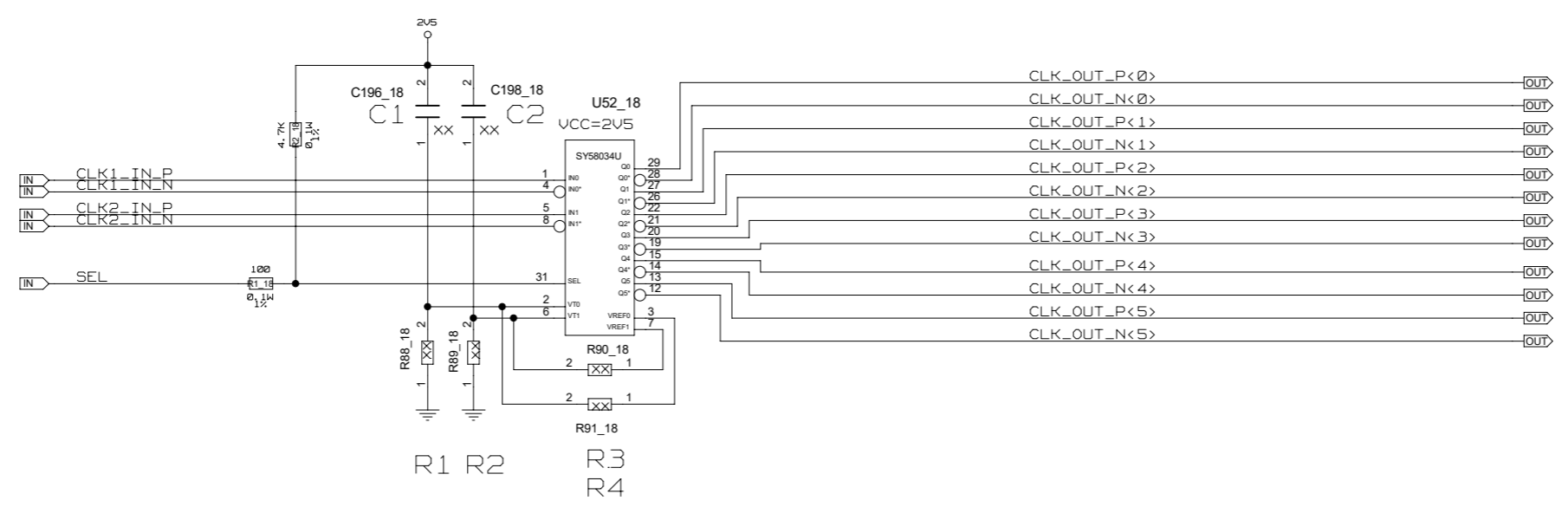


**INPUT INTERFACE APPLICATIONS**

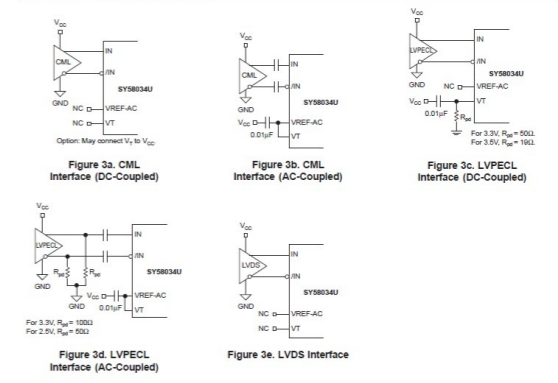


CHECKED	J. V. DE SOUZA			DRAWING TITLE  <b>CLOCK</b>
CHECKED	U.SCHAEFER			
CHECKED	S.RAVE			
DRAWN	BAUSS			
BLOCK TITLE <b>CLOCK_CML_FANOUT6_DC</b>				
UNIVERSITY OF MAINZ		SIZE <b>C</b>	REV.	DRAWING NO.
SCALE				SHEET OF

REVISIONS				
ZONE	LTR	DESCRIPTION	DATE	APPR.

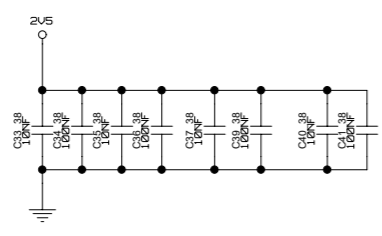
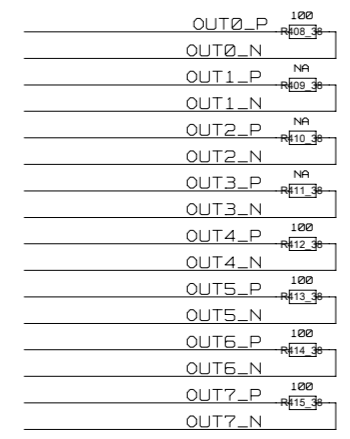
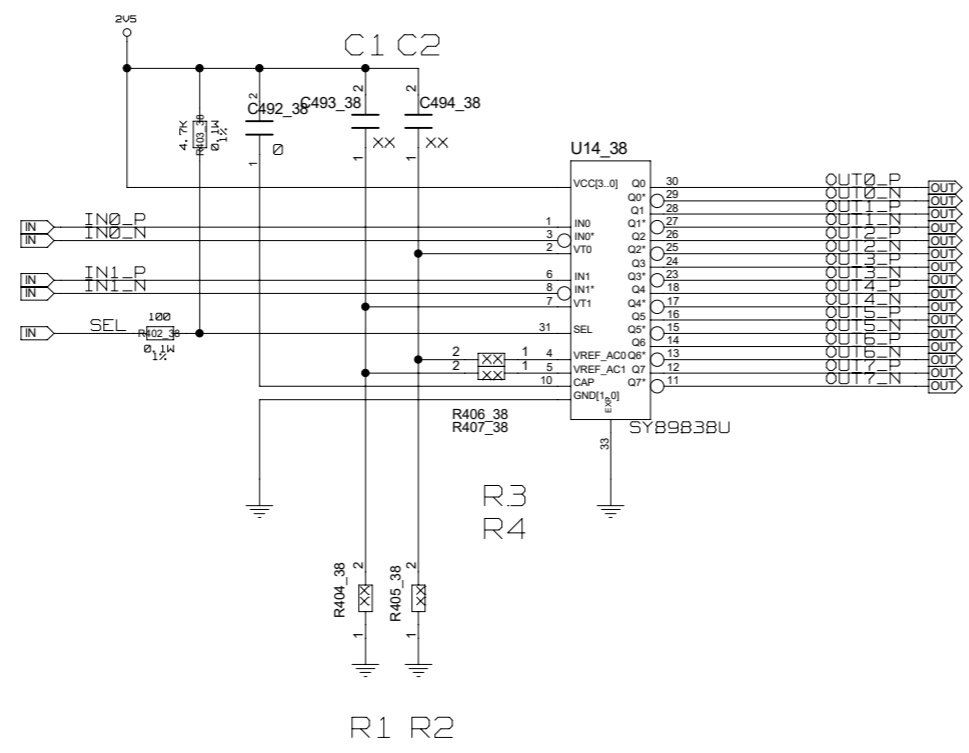


**INPUT INTERFACE APPLICATIONS**



	NAME	DATE	SIGN	DRAWING TITLE	
CHECKED	J. V. DE SOUZA			CLOCK	
CHECKED	U.SCHAEFER				
CHECKED	S.RAVE				
DRAWN	BAUSS				
BLOCK TITLE				SIZE	DRAWING NO.
CLOCK_CML_FANOUT6_DC				<b>C</b>	REV.
UNIVERSITY OF MAINZ				SCALE	SHEET OF

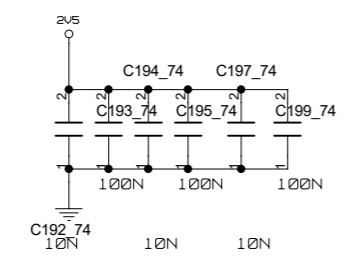
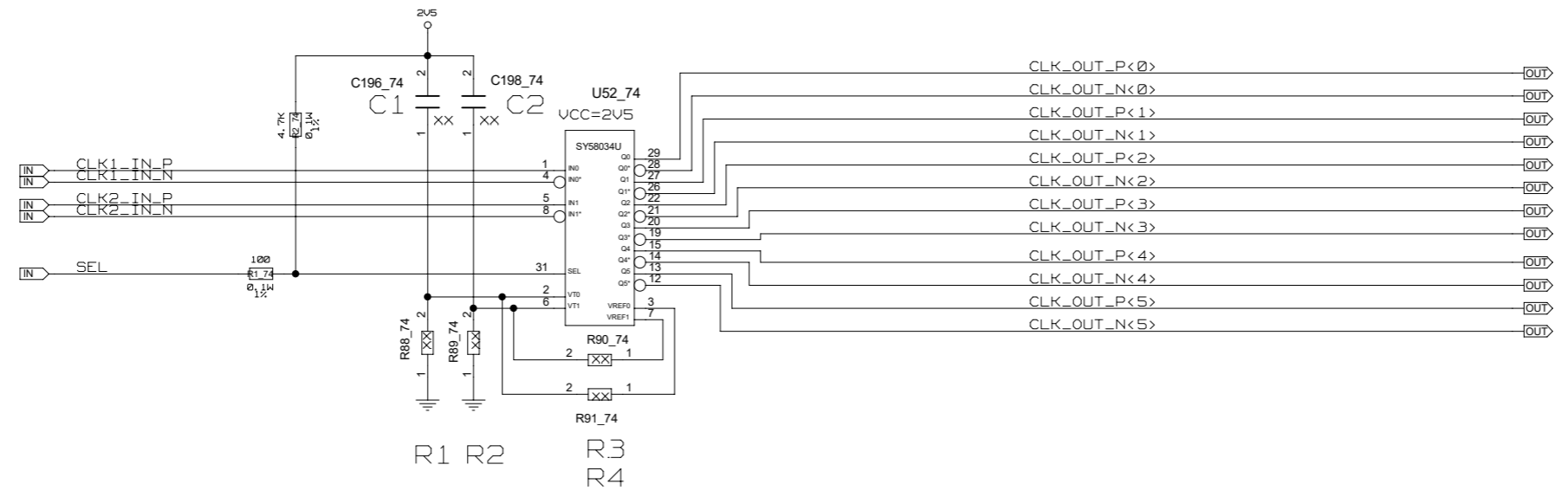
REVISIONS				
ZONE	LTR	DESCRIPTION	DATE	APPR.



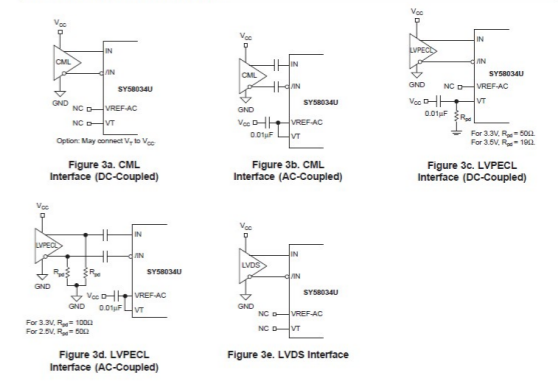
NAME	DATE	SIGN	DRAWING TITLE	
CHECKED	J. V. DE SOUZA		CLOCK	
CHECKED	U. SCHAEFER			
CHECKED	S. RAVE			
DRAWN	BAUSS			
BLOCK TITLE			CLOCK_LVDS_FANOUT8	
UNIVERSITY OF MAINZ		SIZE <b>C</b>	REV.	DRAWING NO.
SCALE		SHEET		OF



REVISIONS				
ZONE	LTR	DESCRIPTION	DATE	APPR.



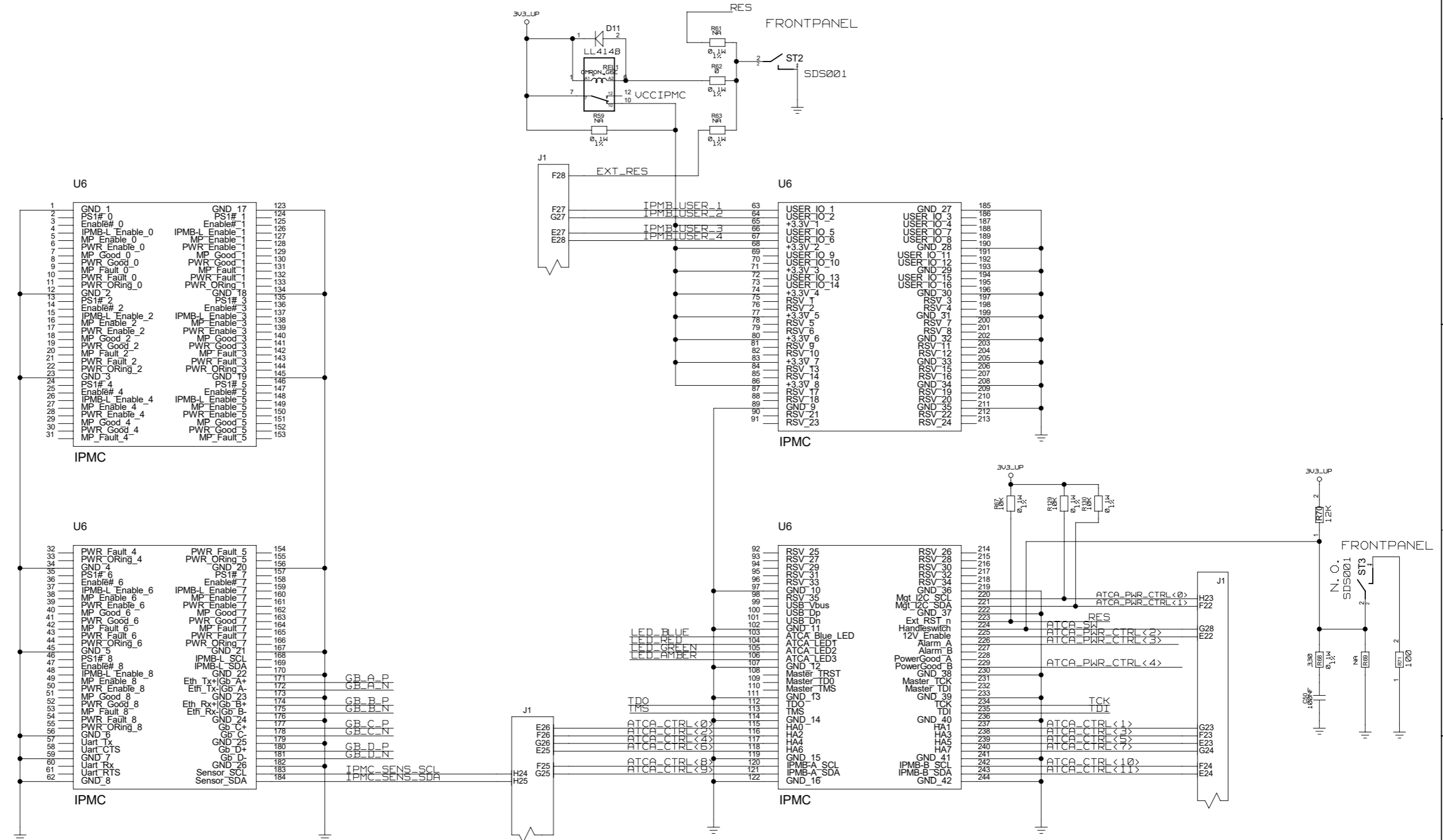
**INPUT INTERFACE APPLICATIONS**



	NAME	DATE	SIGN	DRAWING TITLE	
CHECKED	J. V. DE SOUZA			CLOCK	
CHECKED	U.SCHAEFER				
CHECKED	S.RAVE				
DRAWN	BAUSS				
BLOCK TITLE				SIZE	DRAWING NO.
CLOCK_CML_FANOUT6_DC				<b>C</b>	
UNIVERSITY OF MAINZ				SCALE	SHEET OF

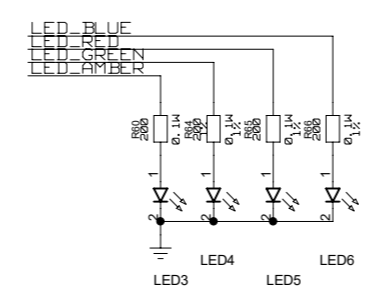
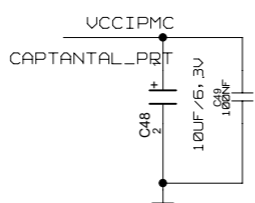
# IPMC CONNECTOR MOLEX\_87782-3003

REVISIONS				
ZONE	LTR	DESCRIPTION	DATE	APPR.



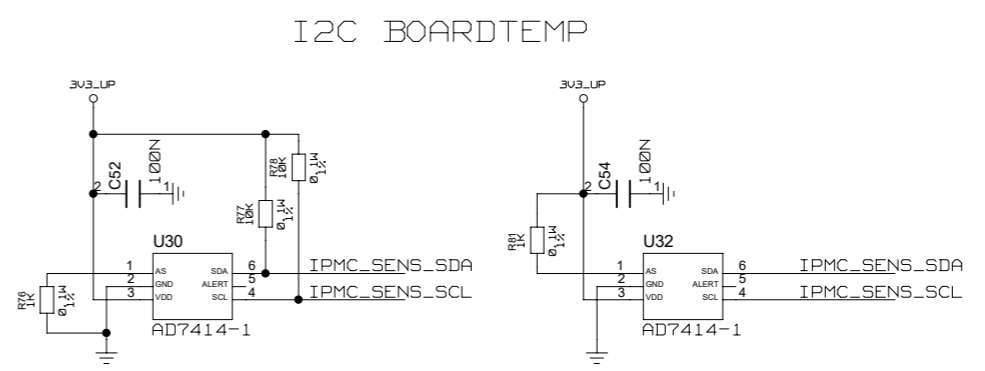
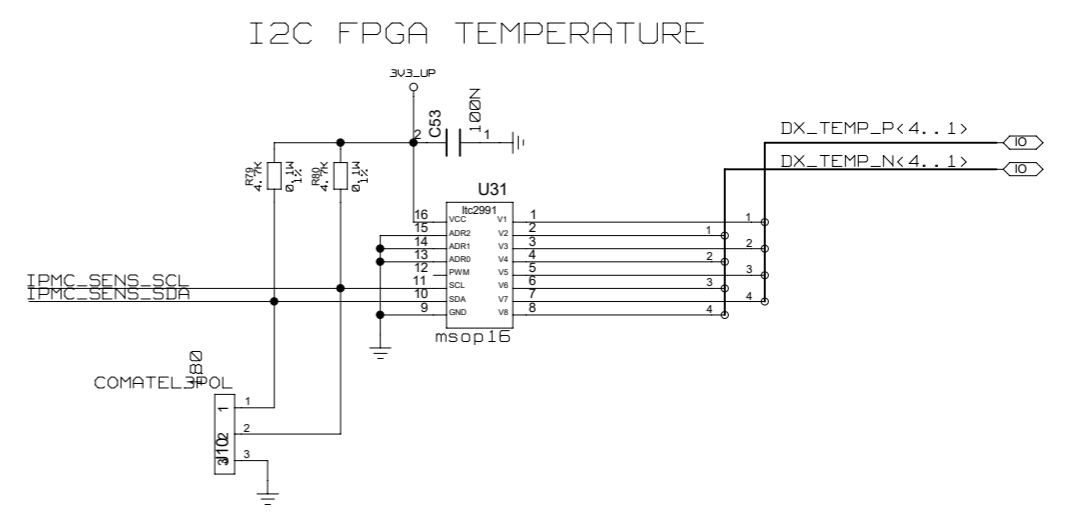
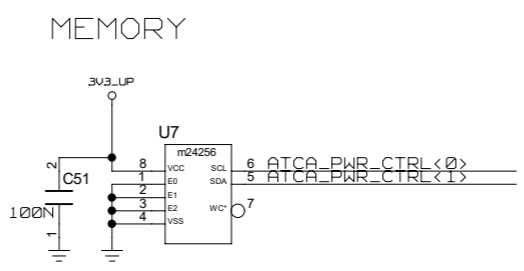
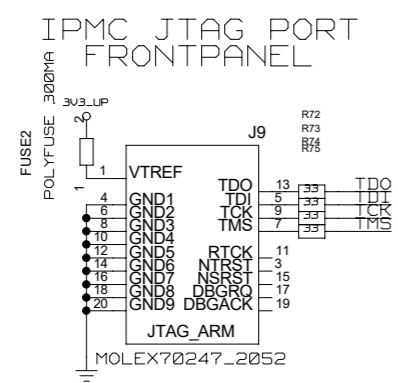
ATCA\_HA<0..7> BACKPLANE + MEZZANINE  
 ATCA\_A/B\_SCL/SDA BACKPLANE + MEZZANINE

ATCA\_CTRL<11..0>  
 ATCA\_PWR\_CTRL<4..0>



NAME	DATE	SIGN	DRAWING TITLE
CHECKED J.V.DE SOUZA			IPMC CONTROL
CHECKED U.SCHAEFER			
CHECKED S.RAVE			
DRAWN BAUSS	30.10.2015		
BLOCK TITLE			UNIVERSITY OF MAINZ
SIZE	REV.	DRAWING NO.	
SCALE		SHEET OF	

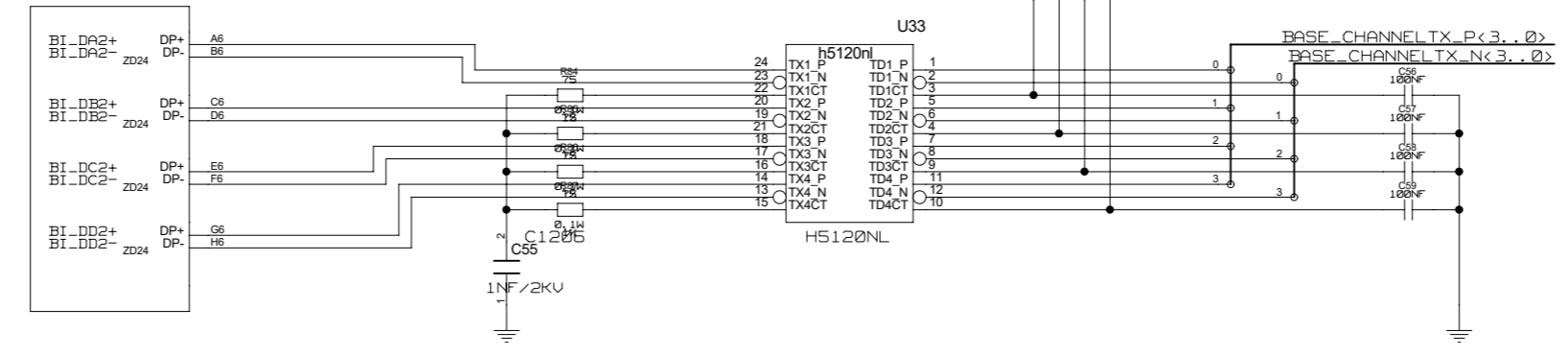
REVISIONS				
ZONE	LTR	DESCRIPTION	DATE	APPR.



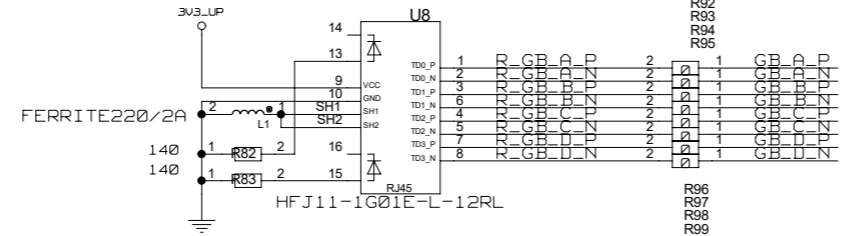
NAME	DATE	SIGN	DRAWING TITLE
CHECKED J. V. DE SOUZA			IPMC CONTROL
CHECKED U. SCHAEFER			
CHECKED S. RAVE			
DRAWN BAUSS	23.07.2015		
BLOCK TITLE			
IPMC			
UNIVERSITY OF MAINZ		SIZE C	REV.
SCALE		DRAWING NO.	
		SHEET OF	

REVISIONS				
ZONE	LTR	DESCRIPTION	DATE	APPR.

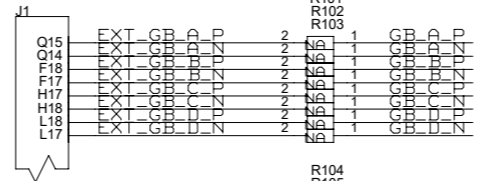
BACKPLANE BASE CHANNEL2



RJ45 FRONTPANEL



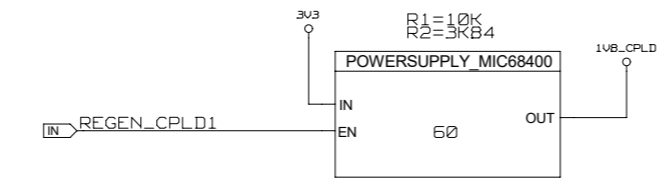
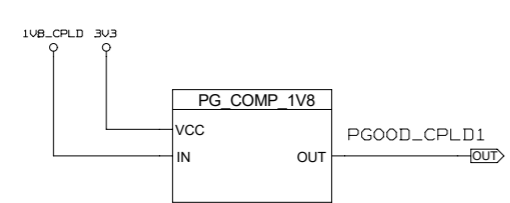
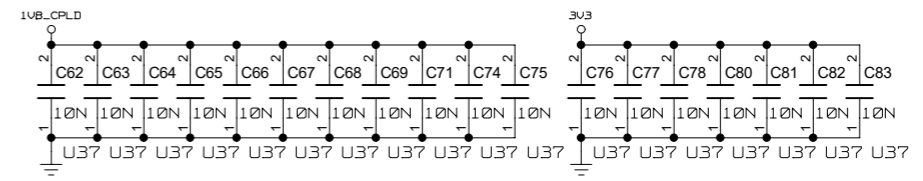
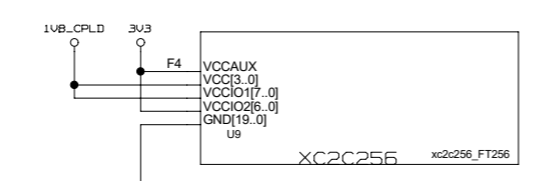
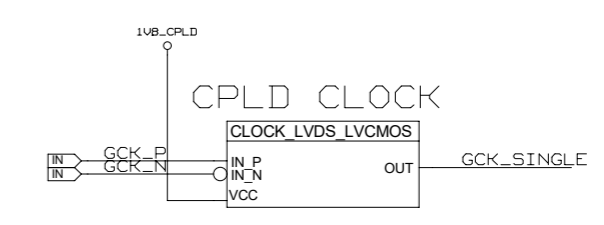
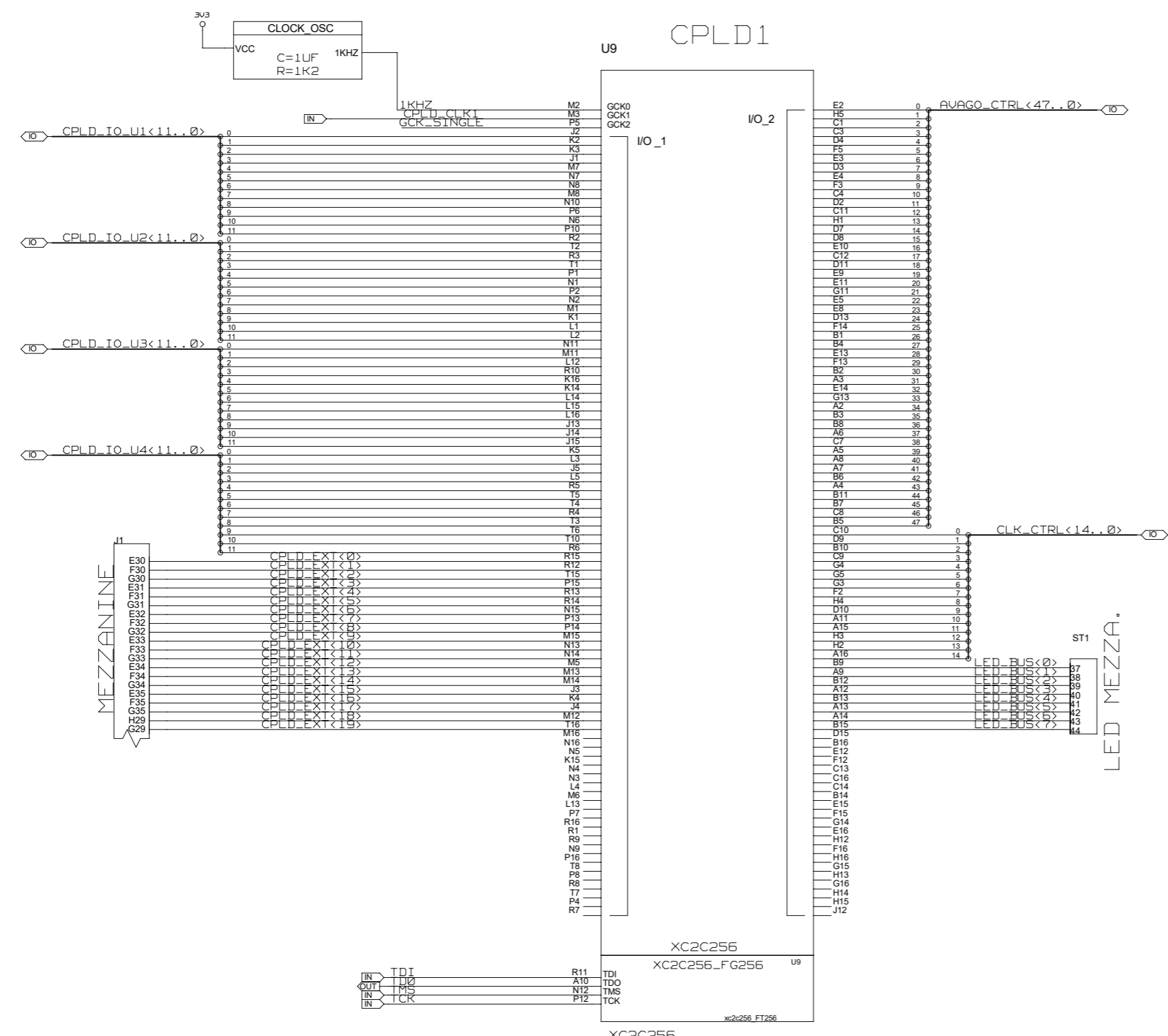
MEZZANINE



TO IPMC MODUL

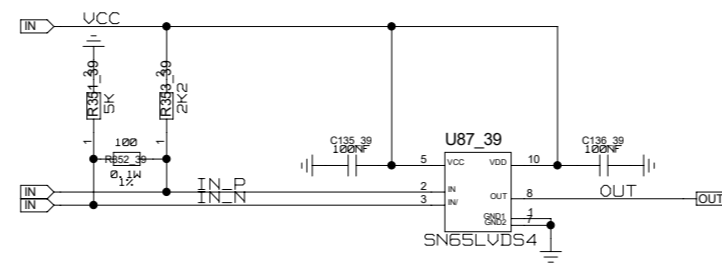
CHECKED	NAME	DATE	SIGN	DRAWING TITLE  <b>IPMC CONTROL</b>	
CHECKED	J. V. DE SOUZA				
CHECKED	U. SCHAEFER				
CHECKED	S. RAVE				
DRAWN	BAUSS				
BLOCK TITLE <b>IPMC</b>				SIZE <b>C</b>	REV.
UNIVERSITY OF MAINZ				SCALE	DRAWING NO.
				SHEET	OF

REVISIONS				
ZONE	LTR	DESCRIPTION	DATE	APPR.



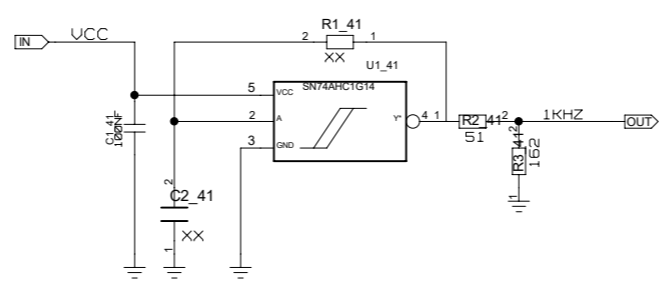
NAME	DATE	SIGN	DRAWING TITLE
CHECKED	J. V. DE SOUZA		CONTROL AND CONFIG CPLD
CHECKED	U. SCHAEFER		
CHECKED	S. RAVE		
DRAWN	BAUSS	22.07.2015	
BLOCK TITLE			CPLD
UNIVERSITY OF MAINZ			SIZE <b>C</b>
			REV.
			DRAWING NO.
			SCALE
			SHEET 1 OF 1

REVISIONS				
ZONE	LTR	DESCRIPTION	DATE	APPR.



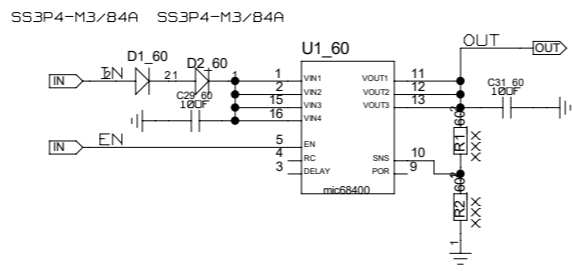
CHECKED	J. V. DE SOUZA			DRAWING TITLE  <b>JFEX</b>
CHECKED	U. SCHAEFER			
CHECKED	S. RAVE			
DRAWN	BAUSS			
BLOCK TITLE <b>CLOCK_LVDS_LVCMOS</b>				
<b>UNIVERSITY OF MAINZ</b>		SIZE <b>C</b>	REV.	DRAWING NO.
SCALE				SHEET OF

REVISIONS				
ZONE	LTR	DESCRIPTION	DATE	APPR.



	NAME	DATE	SIGN	DRAWING TITLE	
CHECKED	J. V. DE SOUZA				
CHECKED	U. SCHAEFER				
CHECKED	S. RAVE				
DRAWN	BAUSS				
BLOCK TITLE					
UNIVERSITY OF MAINZ				SIZE	DRAWING NO.
				<b>C</b>	REV.
SCALE				SHEET	OF

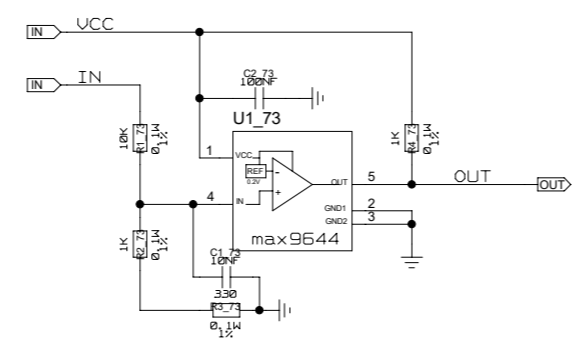
REVISIONS				
ZONE	LTR	DESCRIPTION	DATE	APPR.



	NAME	DATE	SIGN	DRAWING TITLE	
CHECKED	J. V. DE SOUZA				
CHECKED	U. SCHAEFER				
CHECKED	S. RAVE				
DRAWN	BAUSS				
BLOCK TITLE					
POWERSUPPLY_MIC68400					
UNIVERSITY OF MAINZ			SIZE	REV.	DRAWING NO.
			C		
			SCALE		SHEET OF

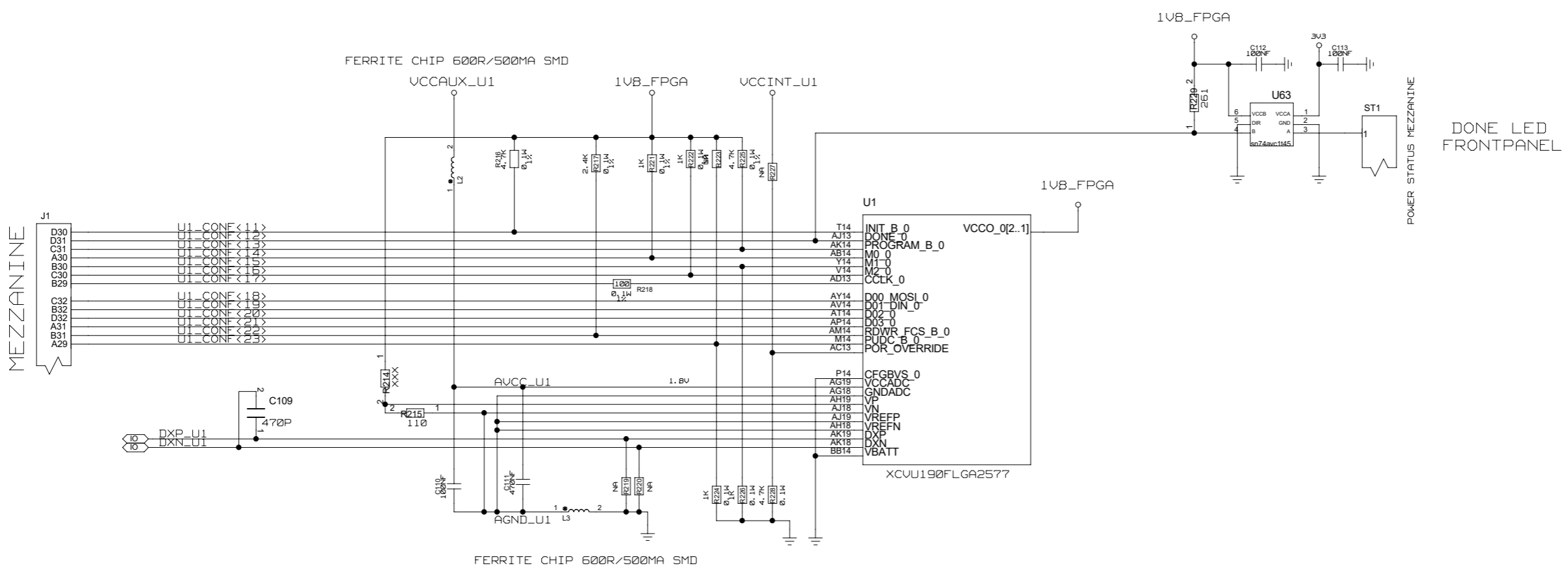


REVISIONS				
ZONE	LTR	DESCRIPTION	DATE	APPR.



	NAME	DATE	SIGN	DRAWING TITLE	
CHECKED	J. V. DE SOUZA				
CHECKED	U. SCHAEFER				
CHECKED	S. RAVE				
DRAWN	BAUSS				
BLOCK TITLE				SIZE	DRAWING NO.
UNIVERSITY OF MAINZ				<b>C</b>	REV.
				SCALE	SHEET OF

REVISIONS				
ZONE	LTR	DESCRIPTION	DATE	APPR.

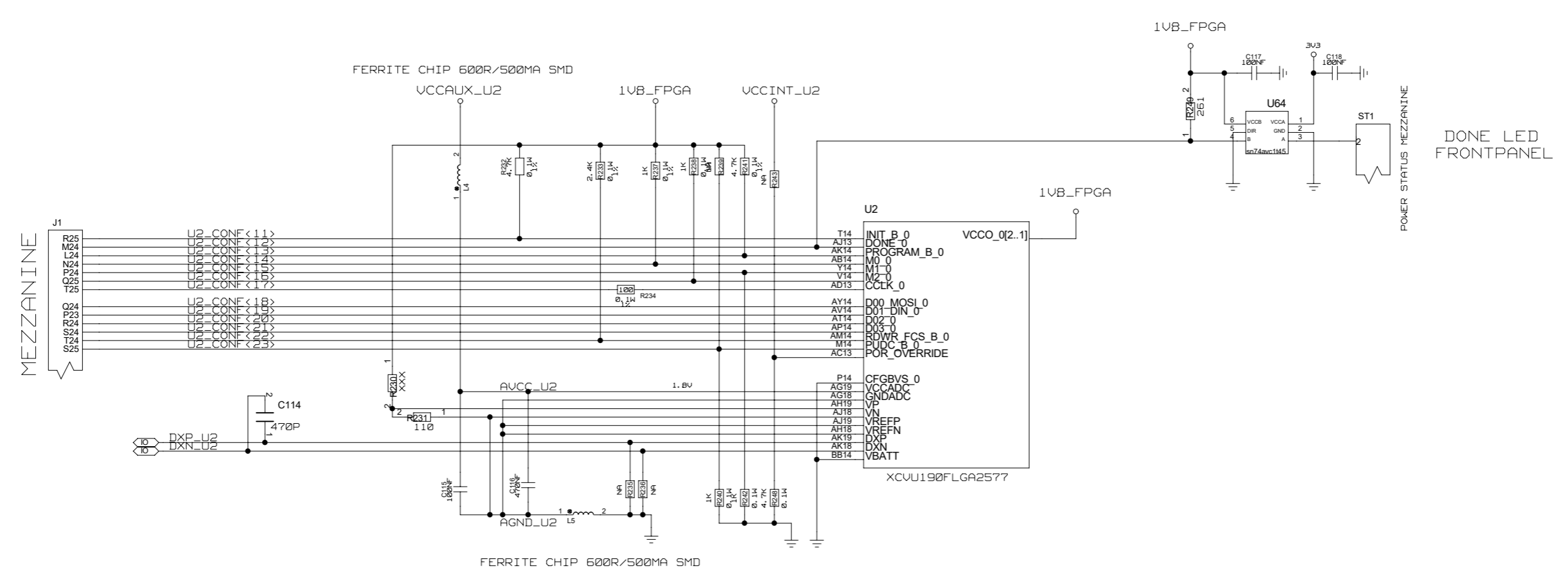


DONE LED  
FRONTPANEL

POWER STATUS MEZZANINE

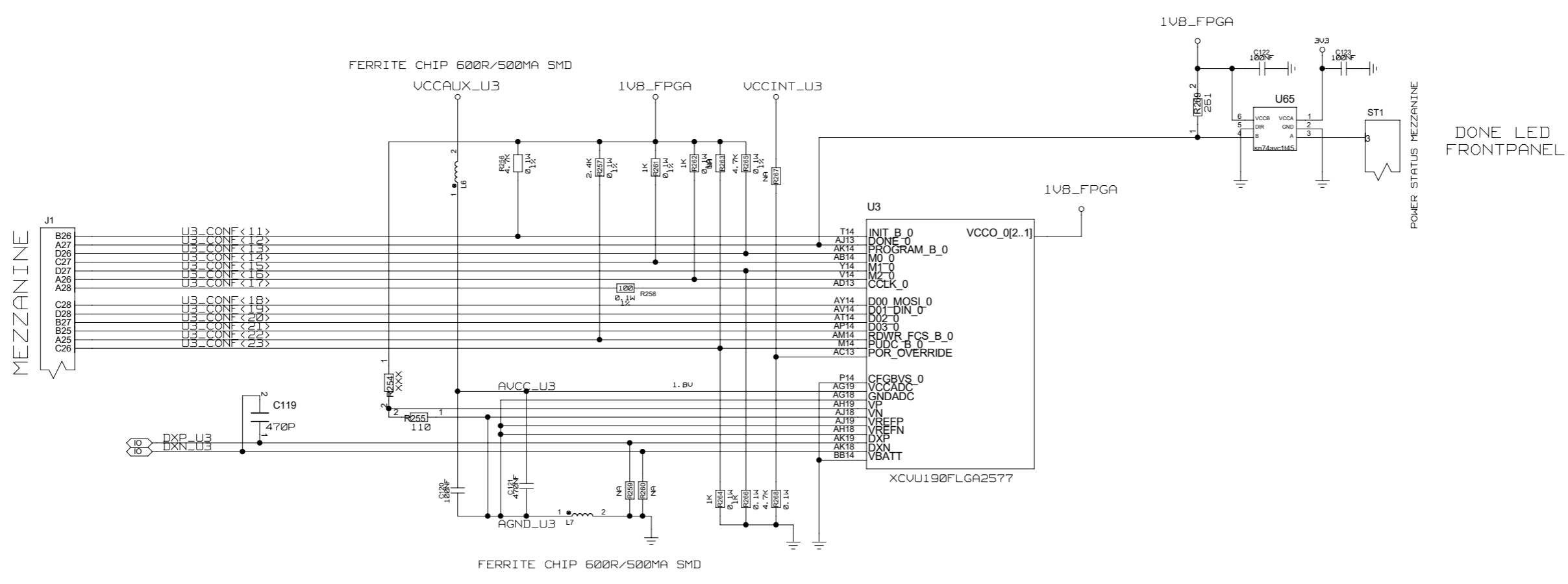
NAME	DATE	SIGN	DRAWING TITLE	
CHECKED J. V. DE SOUZA			JFEX	
CHECKED U. SCHAEFER				
CHECKED S. RAVE				
DRAWN BAUSS	17. 09. 2015			
BLOCK TITLE			SIZE	REV.
CONFIGURATION PROCESSOR U1			<b>C</b>	
UNIVERSITY OF MAINZ			SCALE	DRAWING NO.
				SHEET 1 OF 1

REVISIONS				
ZONE	LTR	DESCRIPTION	DATE	APPR.



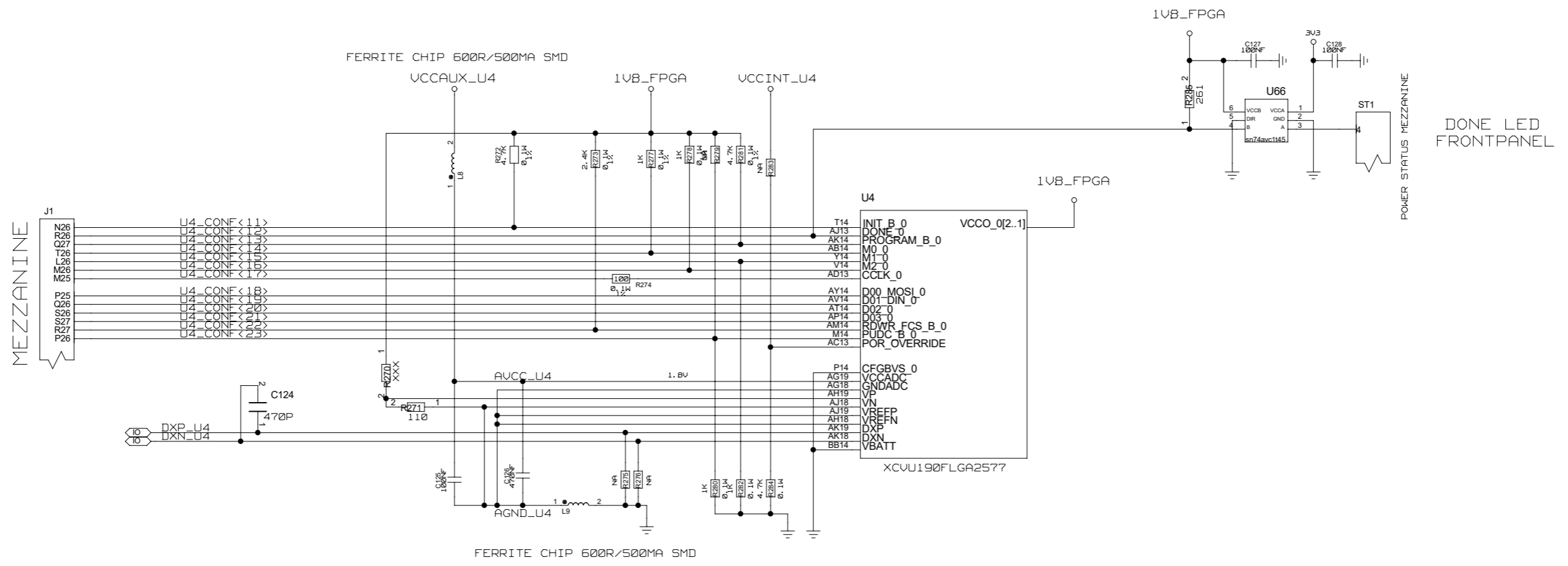
NAME	DATE	SIGN	DRAWING TITLE		
CHECKED	J. V. DE SOUZA				
CHECKED	U. SCHAEFER				
CHECKED	S. RAVE				
DRAWN	BAUSS				
BLOCK TITLE					
UNIVERSITY OF MAINZ			SIZE	REV.	DRAWING NO.
			SCALE		SHEET OF

REVISIONS				
ZONE	LTR	DESCRIPTION	DATE	APPR.



NAME	DATE	SIGN	DRAWING TITLE		
CHECKED J. V. DE SOUZA					
CHECKED U. SCHAEFER					
CHECKED S. RAVE					
DRAWN BAUSS					
BLOCK TITLE					
UNIVERSITY OF MAINZ			SIZE <b>C</b>	REV.	DRAWING NO.
			SCALE		SHEET OF

REVISIONS				
ZONE	LTR	DESCRIPTION	DATE	APPR.

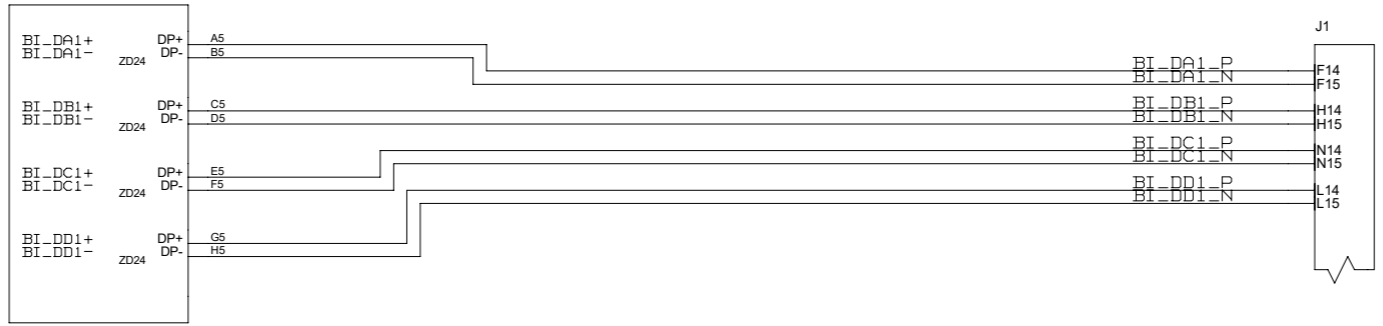


NAME	DATE	SIGN	DRAWING TITLE
CHECKED J. V. DE SOUZA			UNIVERSITY OF MAINZ
CHECKED U. SCHAEFER			
CHECKED S. RAVE			
DRAWN BAUSS			
BLOCK TITLE			SIZE
UNIVERSITY OF MAINZ			REV.
SCALE			DRAWING NO.
SHEET			OF

REVISIONS				
ZONE	LTR	DESCRIPTION	DATE	APPR.

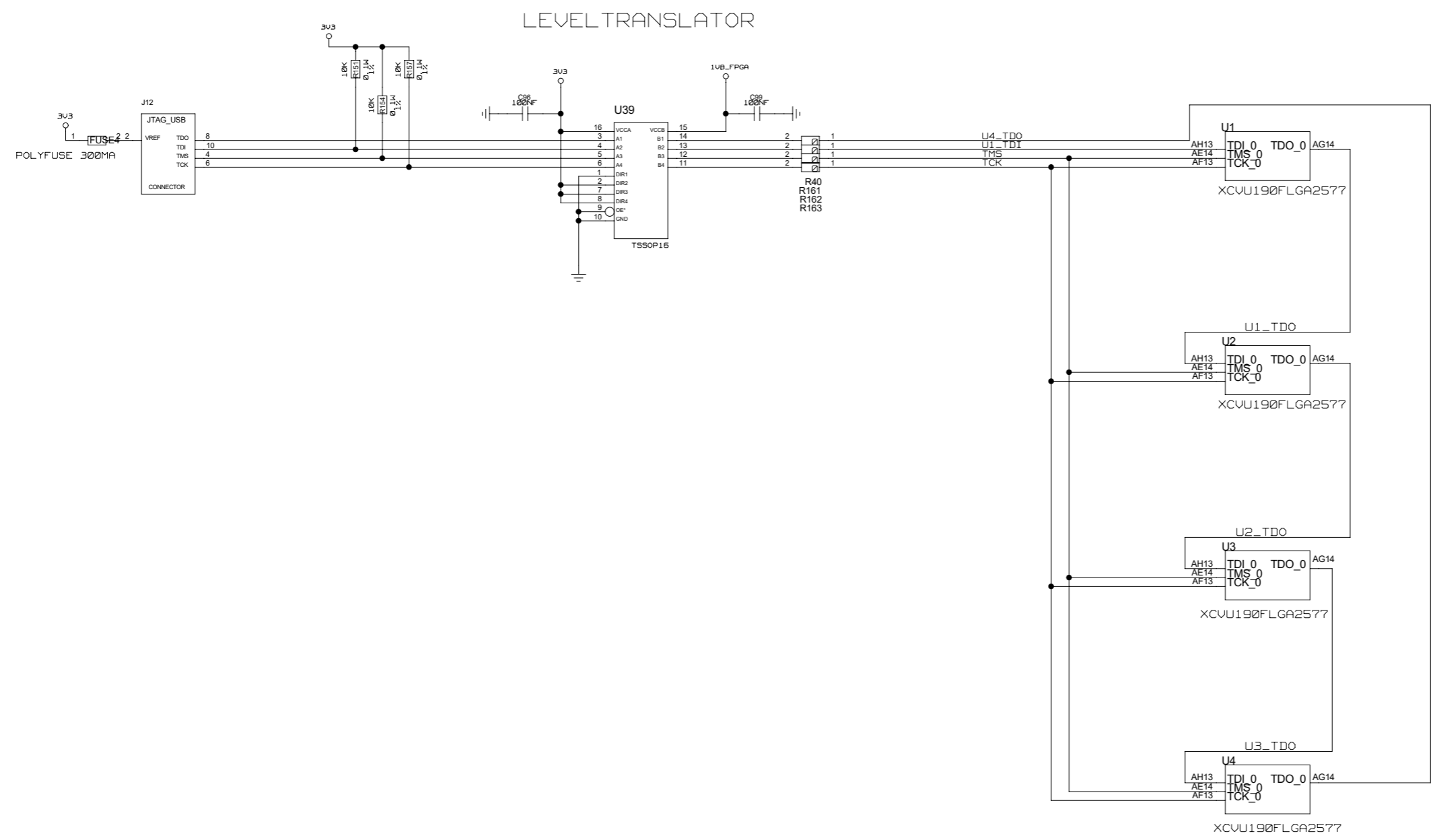
BACKPLANE BASE CHANNEL 1

MEZZANINE



CHECKED	J.V. DE SOUZA			DRAWING TITLE  <b>IPBUS</b>
CHECKED	U.SCHAEFER			
CHECKED	S.RAVE			
DRAWN	BAUSS	05.11.2015		
BLOCK TITLE <b>IPBUS</b>				SIZE <b>C</b>
UNIVERSITY OF MAINZ				REV.
SCALE			DRAWING NO.	SHEET OF

REVISIONS				
ZONE	LTR	DESCRIPTION	DATE	APPR.



	NAME	DATE	SIGN	DRAWING TITLE	
CHECKED	J. V. DE SOUZA			JTAG CHAIN	
CHECKED	U. SCHAEFER				
CHECKED	S. RAVE				
DRAWN	BAUSS	08.05.2017			
BLOCK TITLE				DRAWING NO.	
JTAG				SIZE	REV.
UNIVERSITY OF MAINZ				SCALE	SHEET OF