

INDEX

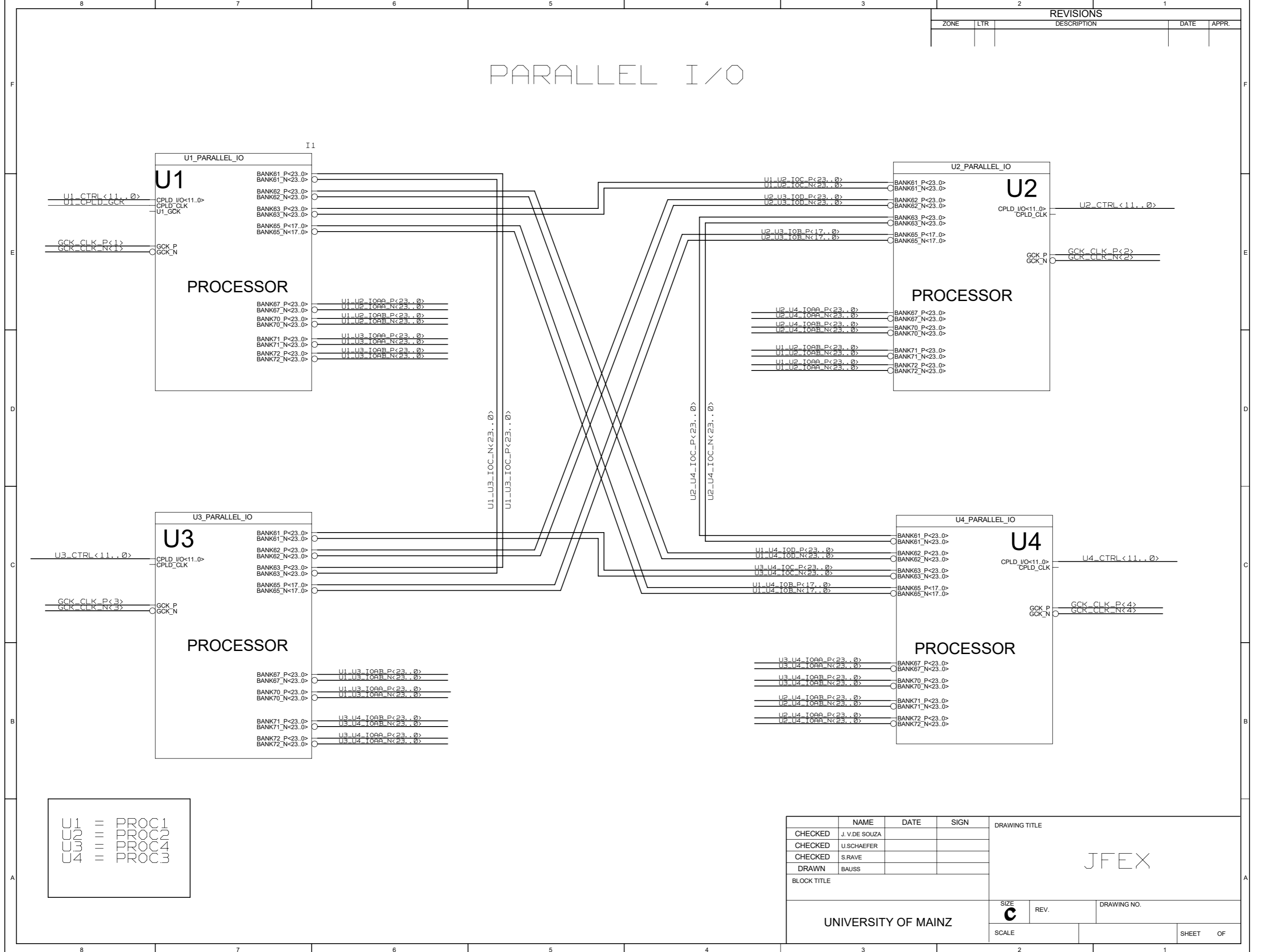
PAGE(S)	FUNCTION
2	PARALLEL I/O BLOCK
3	MGT REAL TIME PATH BLOCK
4	IPBUS, JTAG, POWER, CLOCK, CONFIG, IPMC BLOCK
5	MEZZANINE CONNECTOR
6 - 10	U1 PARALLEL I/O
11	CLOCK LVDS LVCMOS MODUL
12 - 16	U2 PARALLEL I/O
17 - 21	U3 PARALLEL I/O
22 - 26	U4 PARALLEL I/O
27 - 33	U1 MGT REALTIME HIGH SPEED OPTICAL LINKS
34	AC COUPLING HIGH SPEED LINKS
35	AVAGO RECEIVER
36	AVAGO TRANSMITTER
37 - 43	U2 MGT REALTIME HIGH SPEED OPTICAL LINKS
44 - 50	U3 MGT REALTIME HIGH SPEED OPTICAL LINKS
51 - 57	U4 MGT REALTIME HIGH SPEED OPTICAL LINKS
58	ATCA POWER IN AND POWER CONTROL
59	POWERSUPPLY PMBUS CONNECTION
60	POWERSEQUENCING CPLD, VOLTAGE MONITOR, SUPERVISOR
61	POWERSUPPLY BOARDLEVEL
62	POWERSUPPLY U1
63	POWERSUPPLY U2
64	POWERSUPPLY U3
65	POWERSUPPLY U4
66	CPLD CLOCK
67	POWERSUPPLY MIC68400 MODUL
68	POWER DECOUPLING MODUL
69	MGT1 CLOCK
70	MGT2 CLOCK
71	MGT3 CLOCK
72	MGT4 CLOCK
73	GLOBAL CLOCK
74	LHC CLOCK
75	CLOCK CML FANOUT6 AC
76	CLOCK CML FANOUT6 DC
77	CLOCK LVDS FANOUT8
78	CLOCK LVPECL AC
79 - 81	IPMC
82	CONTROL AND CONFIG CPLD
83 - 86	U1, U2, U3, U4 CONFIG
87	IPBUS CONNECTION
88	JTAG CHAIN

REVISIONS				
ZONE	LTR	DESCRIPTION	DATE	APPR.

CHECKED	NAME	DATE	SIGN	DRAWING TITLE		
CHECKED	J. V. DE SOUZA					
CHECKED	U. SCHAEFER					
CHECKED	S. RAVE					
DRAWN	BAUSS			JFEX		
BLOCK TITLE						
UNIVERSITY OF MAINZ				SIZE	REV.	DRAWING NO.
				C		
SCALE				SHEET	OF	

PARALLEL I/O

REVISIONS				
ZONE	LTR	DESCRIPTION	DATE	APPR.

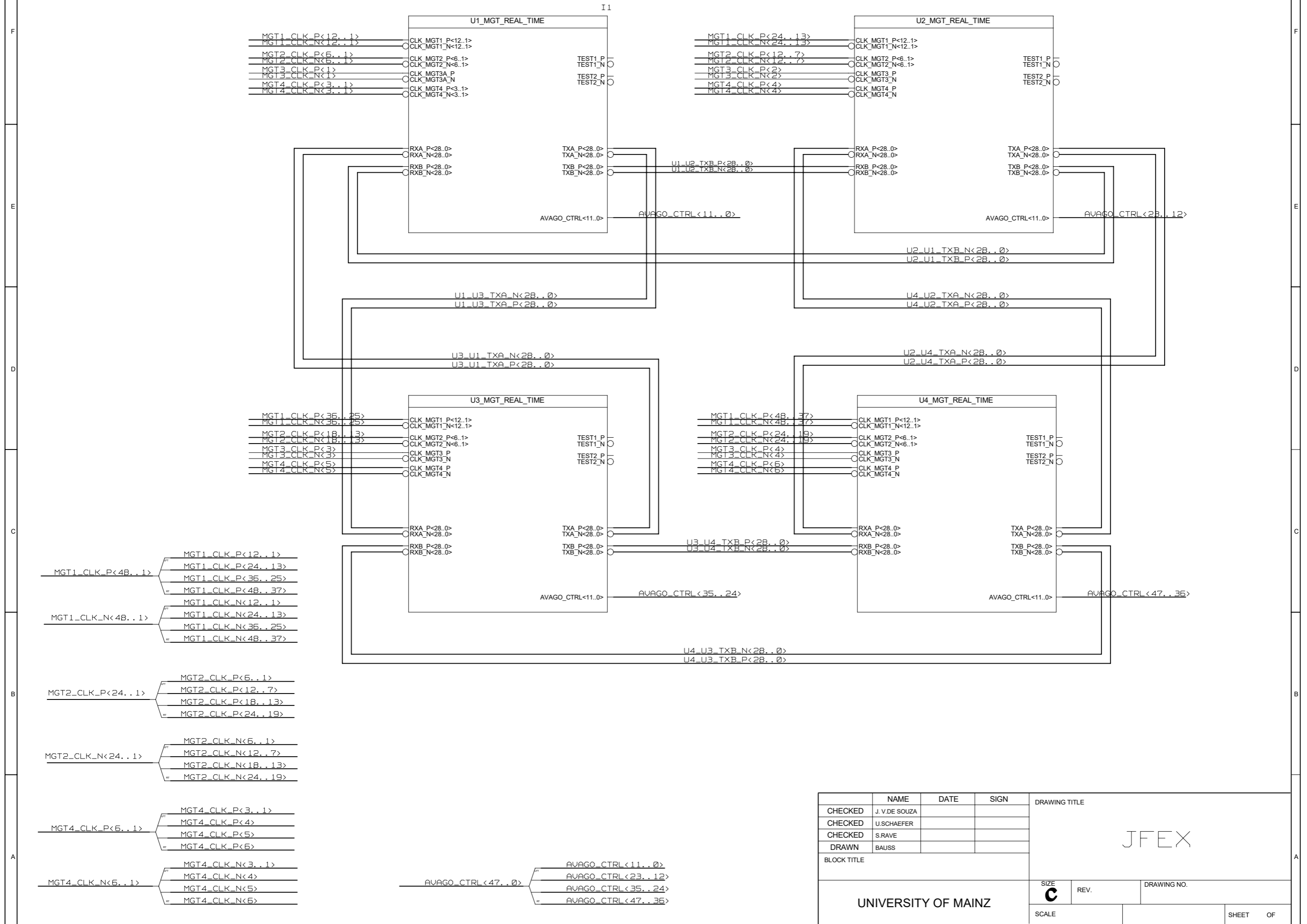


U1 = PROC1
 U2 = PROC2
 U3 = PROC4
 U4 = PROC3

NAME	DATE	SIGN	DRAWING TITLE
CHECKED J.V. DE SOUZA			JFEX
CHECKED U.SCHAEFER			
CHECKED S.RAVE			
DRAWN BAUSS			
BLOCK TITLE			
UNIVERSITY OF MAINZ			SIZE C
			REV.
			DRAWING NO.
			SCALE
			SHEET OF

MGT REAL TIME

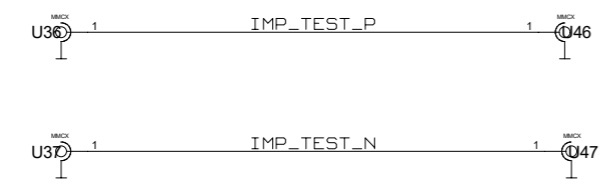
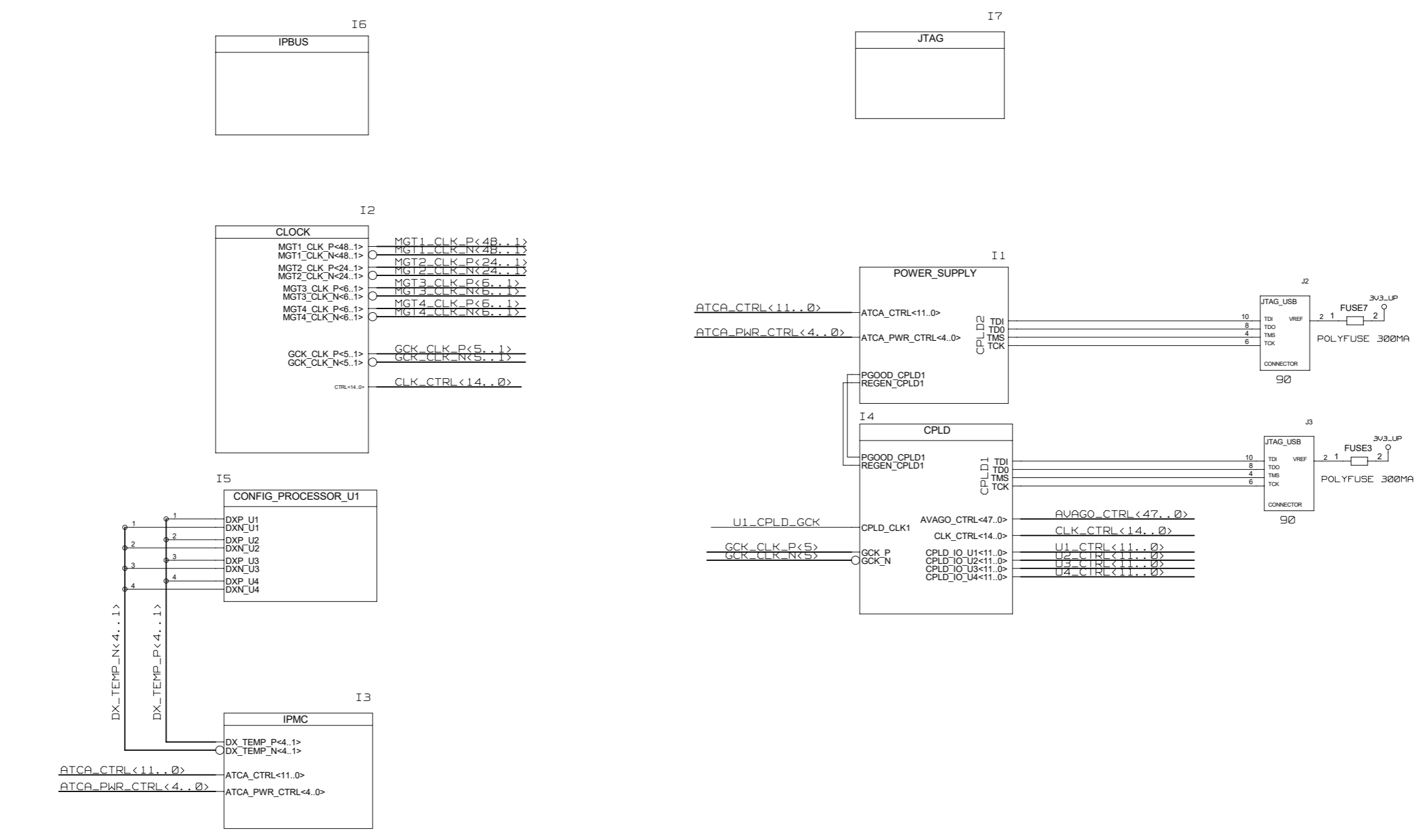
REVISIONS				
ZONE	LTR	DESCRIPTION	DATE	APPR.



NAME	DATE	SIGN	DRAWING TITLE
CHECKED J. V. DE SOUZA			JFEX
CHECKED U. SCHAEFER			
CHECKED S. RAVE			
DRAWN BAUSS			
BLOCK TITLE			
UNIVERSITY OF MAINZ			SIZE C REV. DRAWING NO. SCALE SHEET OF

REVISIONS				
ZONE	LTR	DESCRIPTION	DATE	APPR.

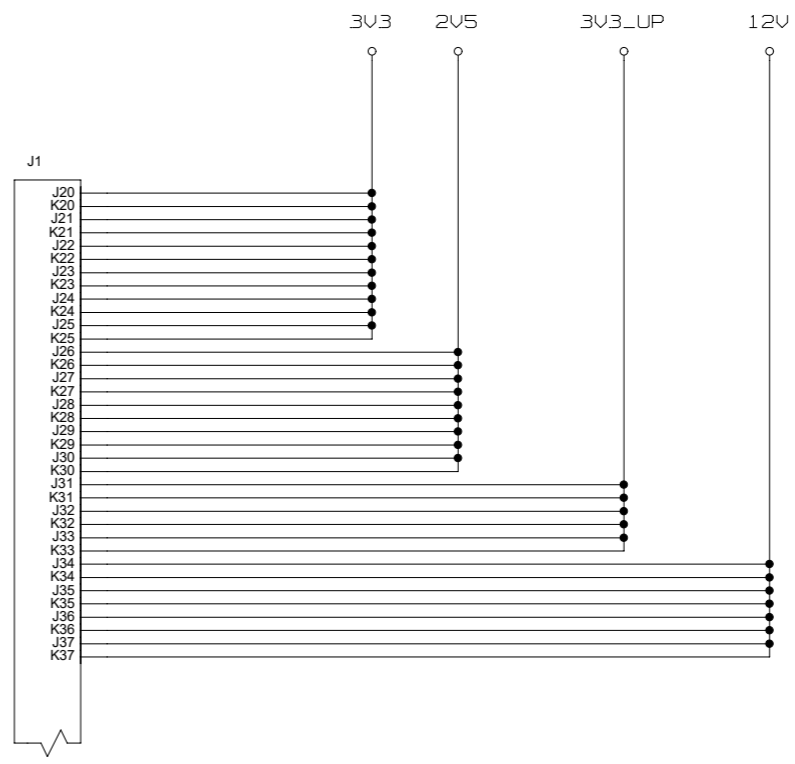
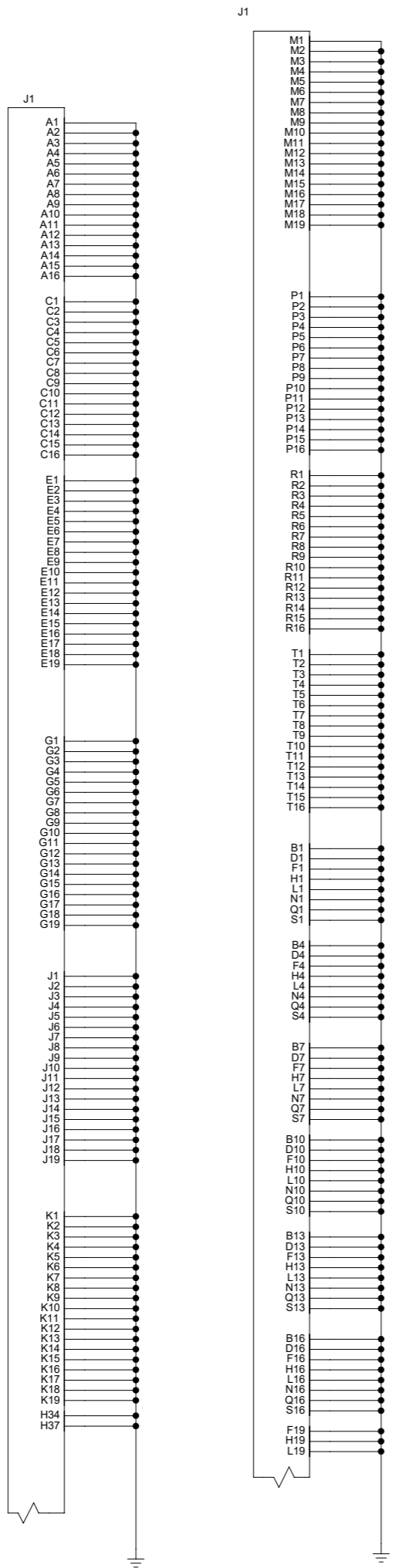
CLOCK, CONFIG, POWER, JTAG, IPMC



NAME	DATE	SIGN	DRAWING TITLE						
CHECKED	J. V. DE SOUZA		JFEX						
CHECKED	U. SCHAEFER								
CHECKED	S. RAVE								
DRAWN	BAUSS								
BLOCK TITLE									
UNIVERSITY OF MAINZ			<table border="1"> <tr> <td>SIZE</td> <td>REV.</td> <td>DRAWING NO.</td> </tr> <tr> <td>SCALE</td> <td></td> <td>SHEET OF</td> </tr> </table>	SIZE	REV.	DRAWING NO.	SCALE		SHEET OF
SIZE	REV.	DRAWING NO.							
SCALE		SHEET OF							

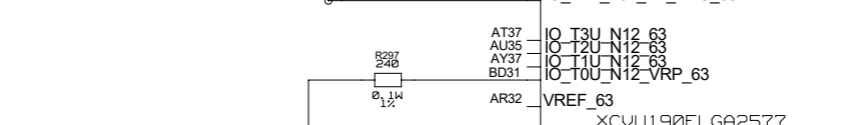
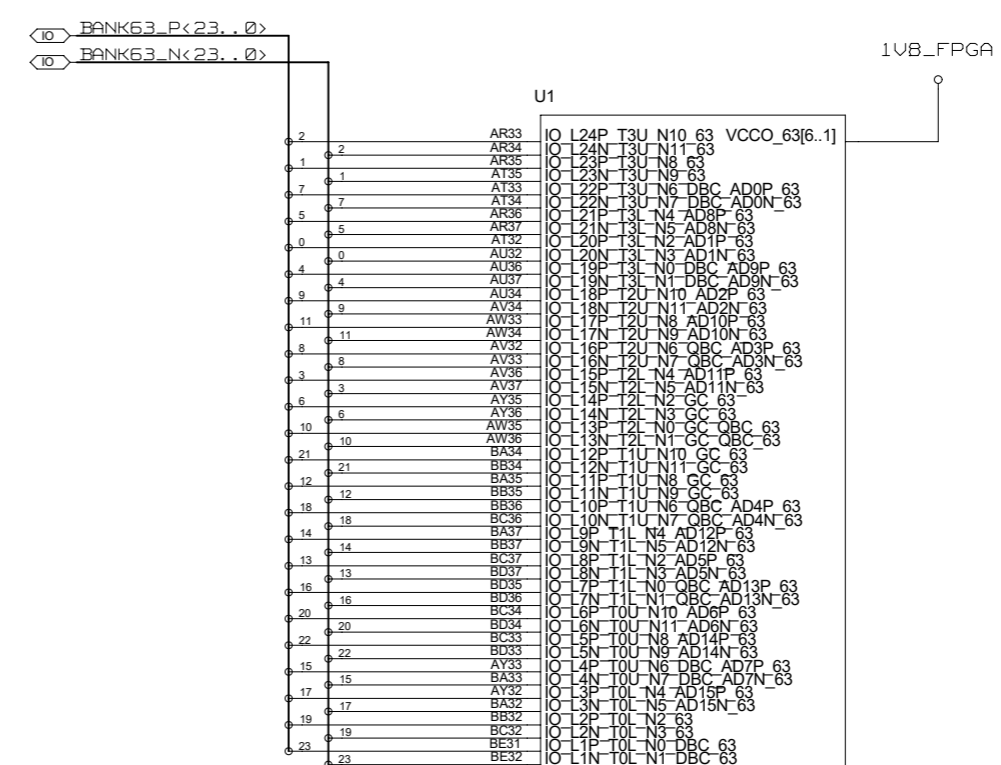
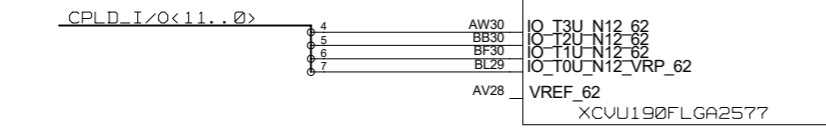
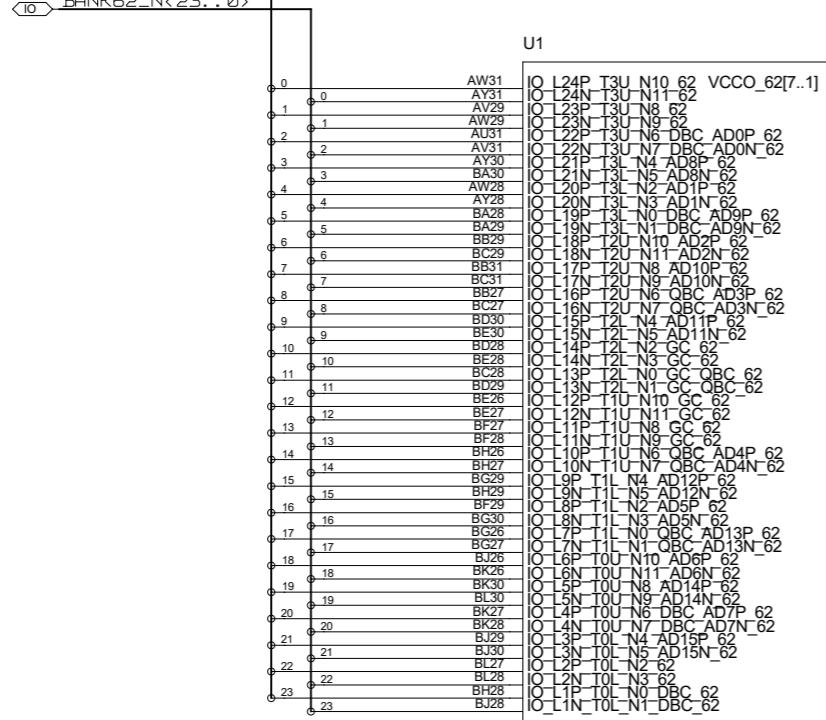
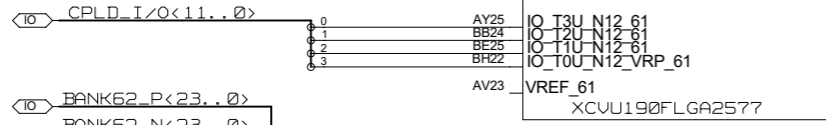
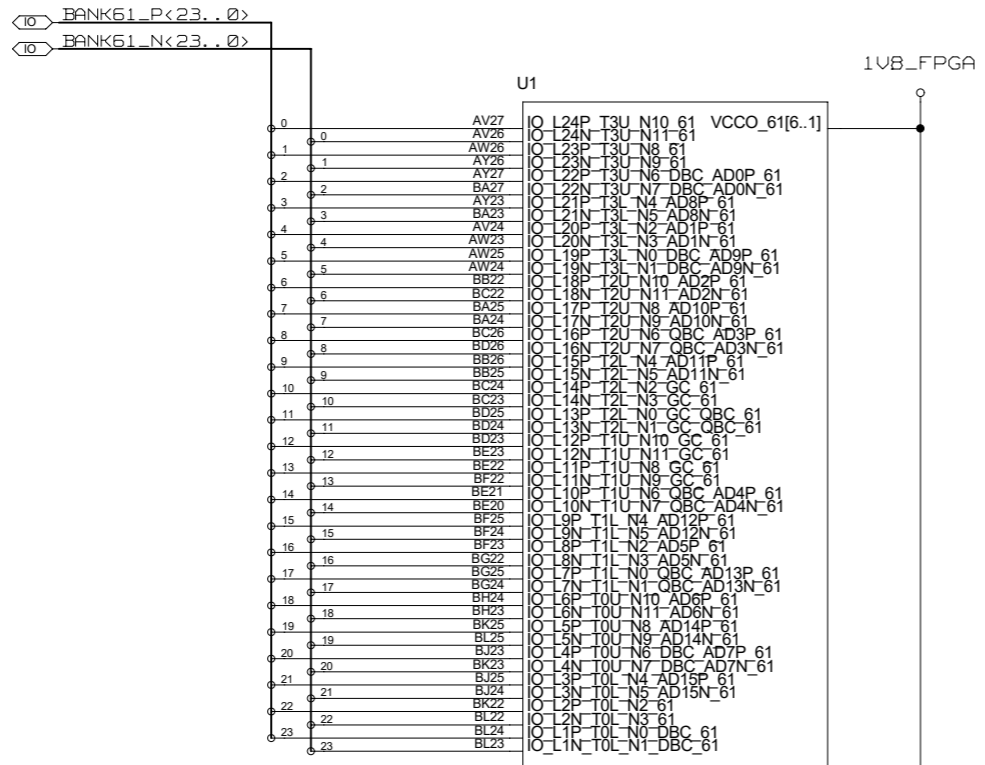
REVISIONS				
ZONE	LTR	DESCRIPTION	DATE	APPR.

MEZZANINE CONNECTOR GND AND VCC



CHECKED	J. V. DE SOUZA			DRAWING TITLE <h1>JFEX</h1>	
CHECKED	U. SCHAEFER				
CHECKED	S. RAVE				
DRAWN	BAUSS				
BLOCK TITLE					
UNIVERSITY OF MAINZ				SIZE C	REV.
				SCALE	DRAWING NO.
			SHEET	OF	

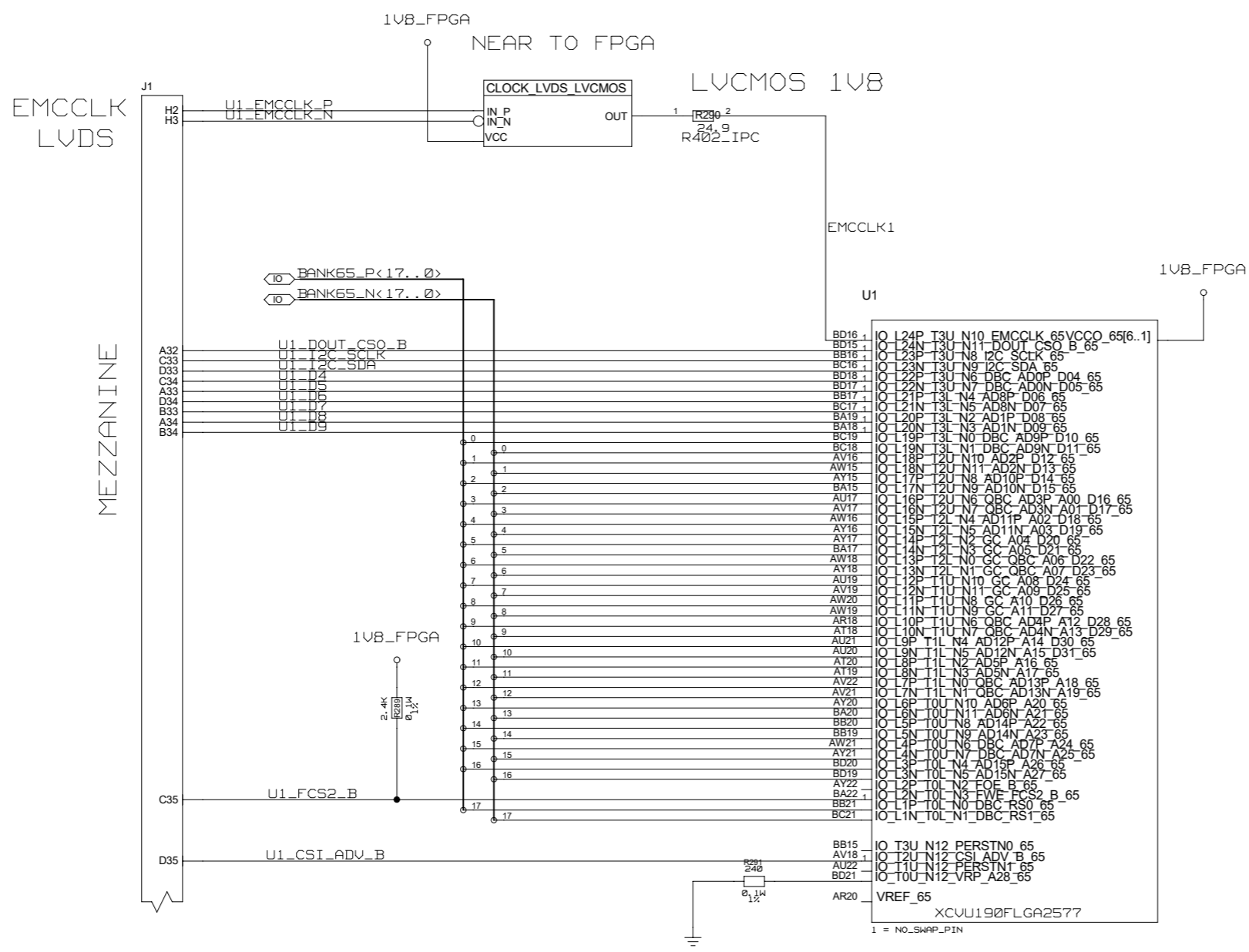
REVISIONS				
ZONE	LTR	DESCRIPTION	DATE	APPR.



BANK
61
62
63

NAME	DATE	SIGN	DRAWING TITLE
CHECKED J. V. DE SOUZA			JFEX
CHECKED U. SCHAEFER			
CHECKED S. RAVE			
DRAWN BAUSS	25.08.2015		
BLOCK TITLE			
U1_PARALLEL_I/O			
UNIVERSITY OF MAINZ		SIZE C	DRAWING NO.
SCALE		REV.	SHEET 1 OF 5

REVISIONS				
ZONE	LTR	DESCRIPTION	DATE	APPR.

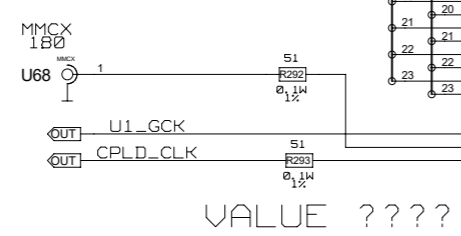
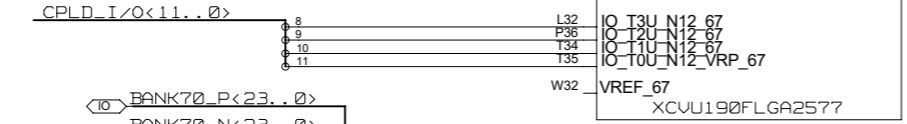
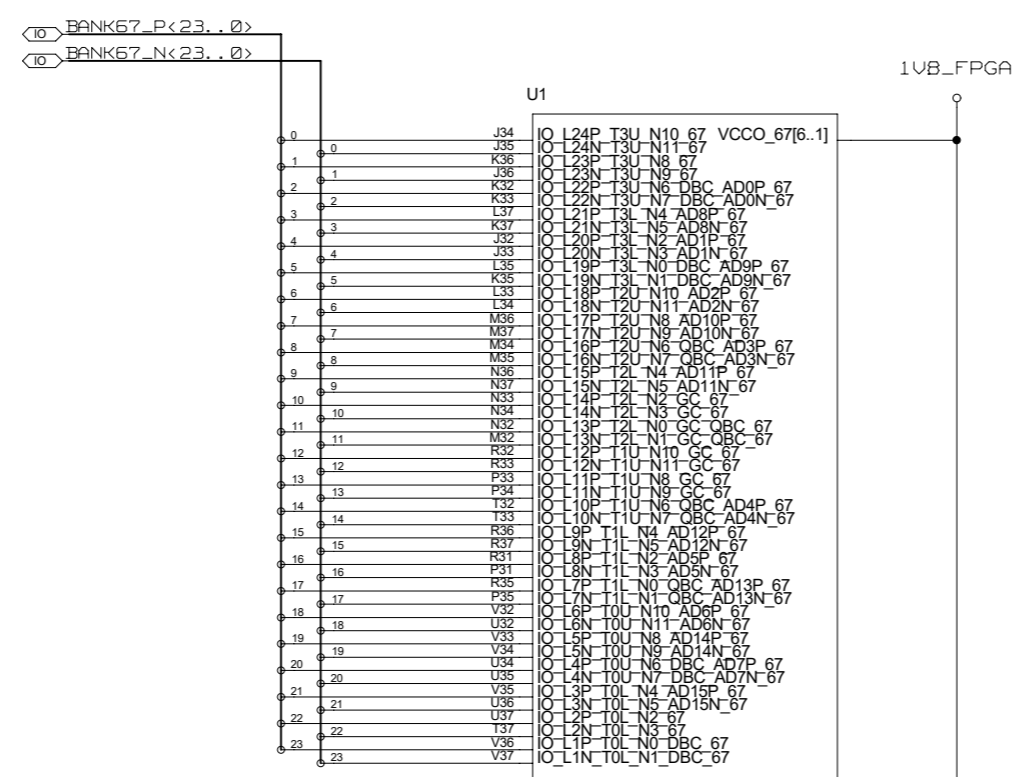


MEZZANINE

BANK
65

NAME	DATE	SIGN	DRAWING TITLE	
CHECKED J.V.DE SOUZA			JFEX	
CHECKED U.SCHAEFER				
CHECKED S.RAVE				
DRAWN BAUSS	25.08.2015		BLOCK TITLE	
			U1_PARALLEL_I/O	
UNIVERSITY OF MAINZ			SIZE C	DRAWING NO.
			SCALE	SHEET 2 OF 5

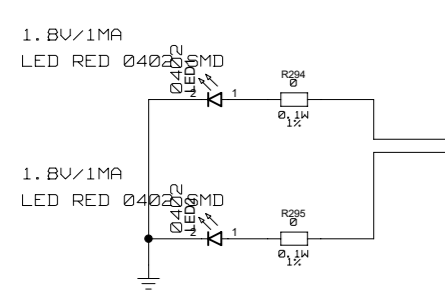
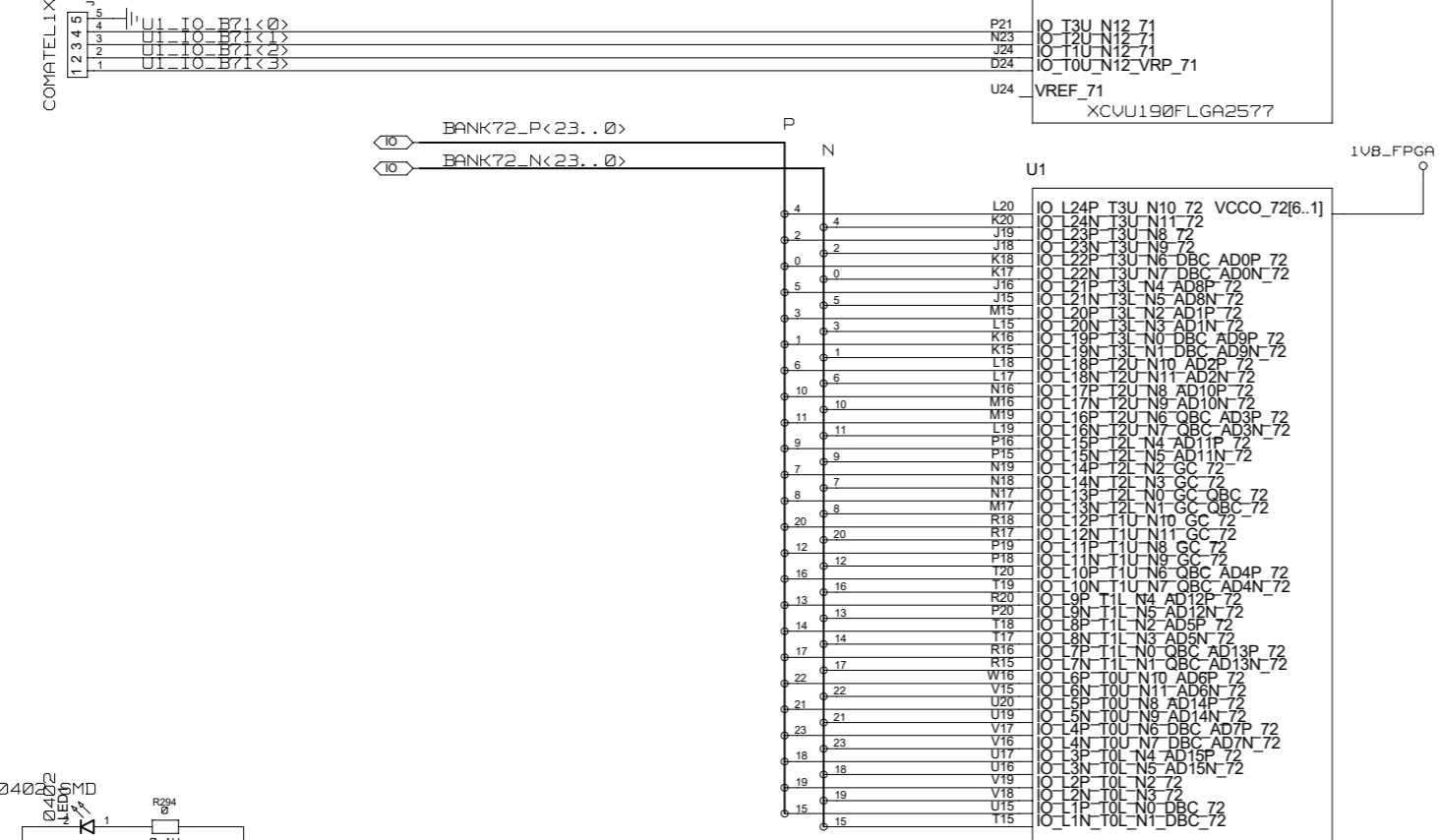
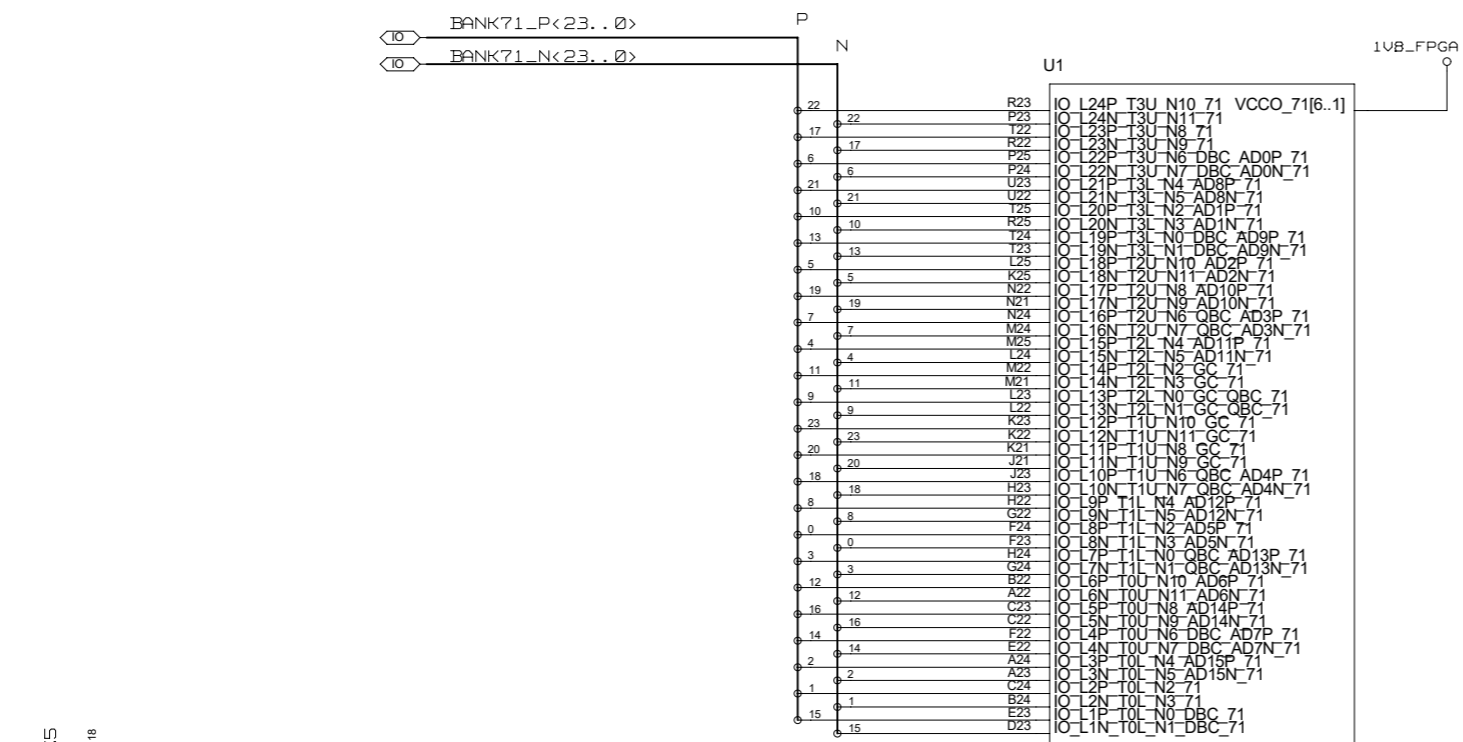
REVISIONS				
ZONE	LTR	DESCRIPTION	DATE	APPR.



BANK
67
70

NAME	DATE	SIGN	DRAWING TITLE
CHECKED J.V.DE SOUZA			JFEX
CHECKED U.SCHAEFER			
CHECKED S.RAVE			
DRAWN BAUSS	25.08.2015		
BLOCK TITLE			
U1_PARALLEL_I/O			
UNIVERSITY OF MAINZ		SIZE C	REV.
		SCALE	DRAWING NO.
			SHEET 4 OF 5

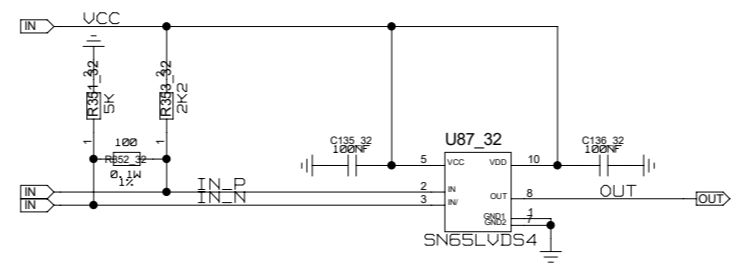
REVISIONS				
ZONE	LTR	DESCRIPTION	DATE	APPR.



BANK
71
72

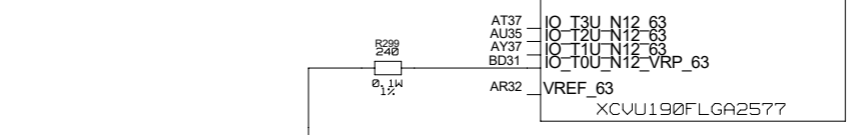
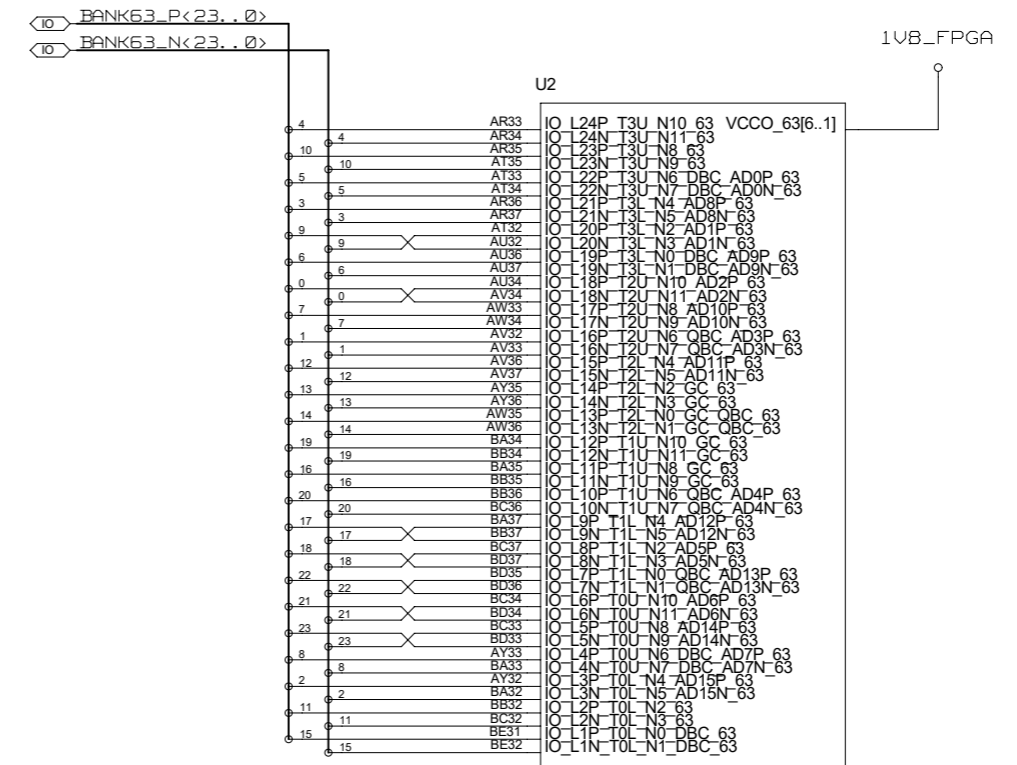
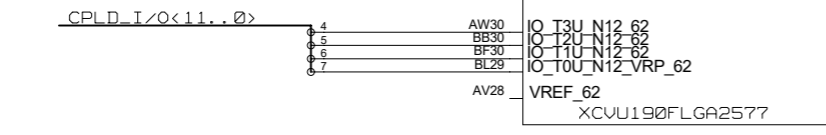
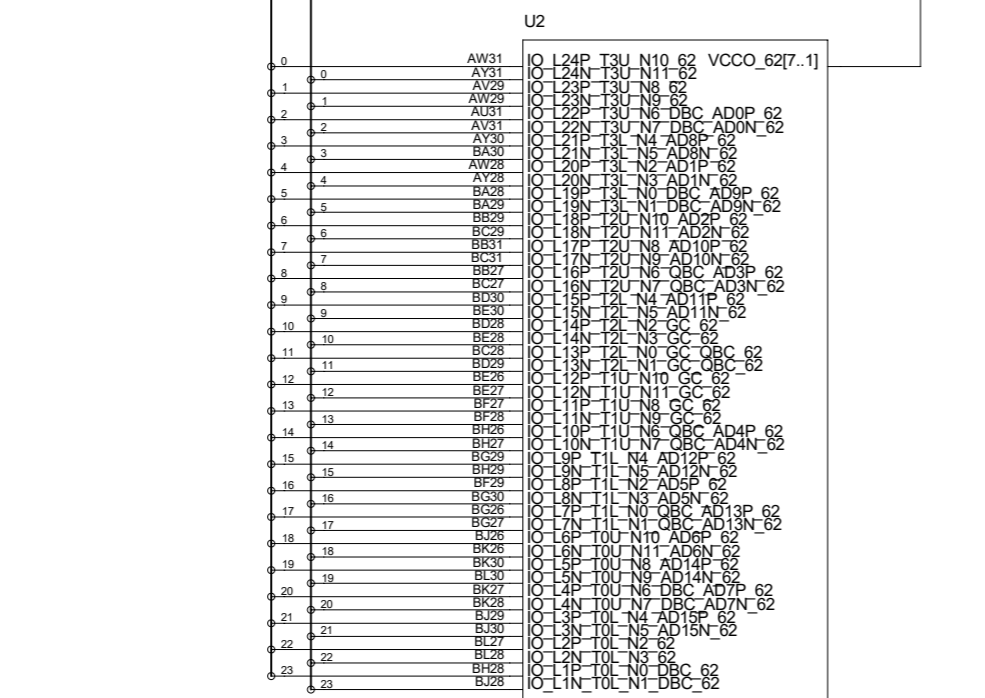
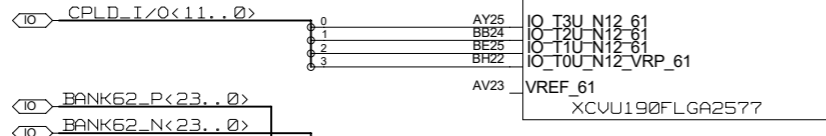
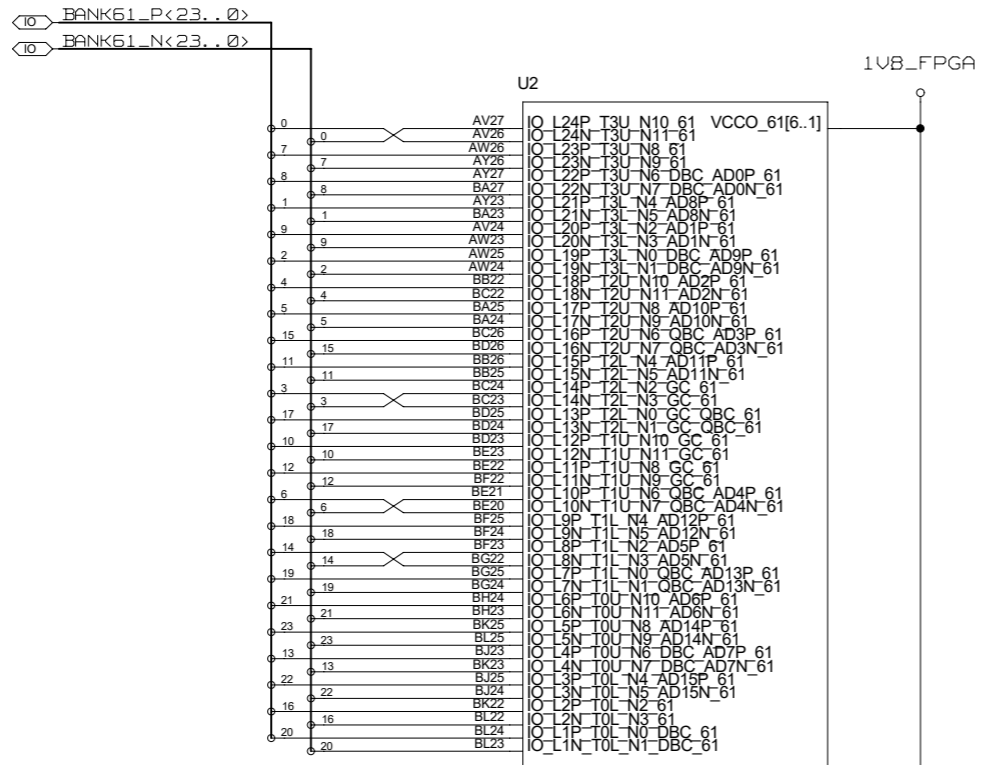
NAME	DATE	SIGN	DRAWING TITLE
CHECKED J. V. DE SOUZA			JFEX
CHECKED U. SCHAEFER			
CHECKED S. RAVE			
DRAWN BAUSS	25. 08. 2015		
BLOCK TITLE			
U1_PARALLEL_I/O			
UNIVERSITY OF MAINZ		SIZE C	DRAWING NO.
		SCALE	SHEET 5 OF 5

REVISIONS				
ZONE	LTR	DESCRIPTION	DATE	APPR.



CHECKED	J. V. DE SOUZA			DRAWING TITLE JFEX
CHECKED	U. SCHAEFER			
CHECKED	S. RAVE			
DRAWN	BAUSS			
BLOCK TITLE CLOCK_LVDS_LVCMOS				
UNIVERSITY OF MAINZ		SIZE C	REV.	DRAWING NO.
SCALE				SHEET OF

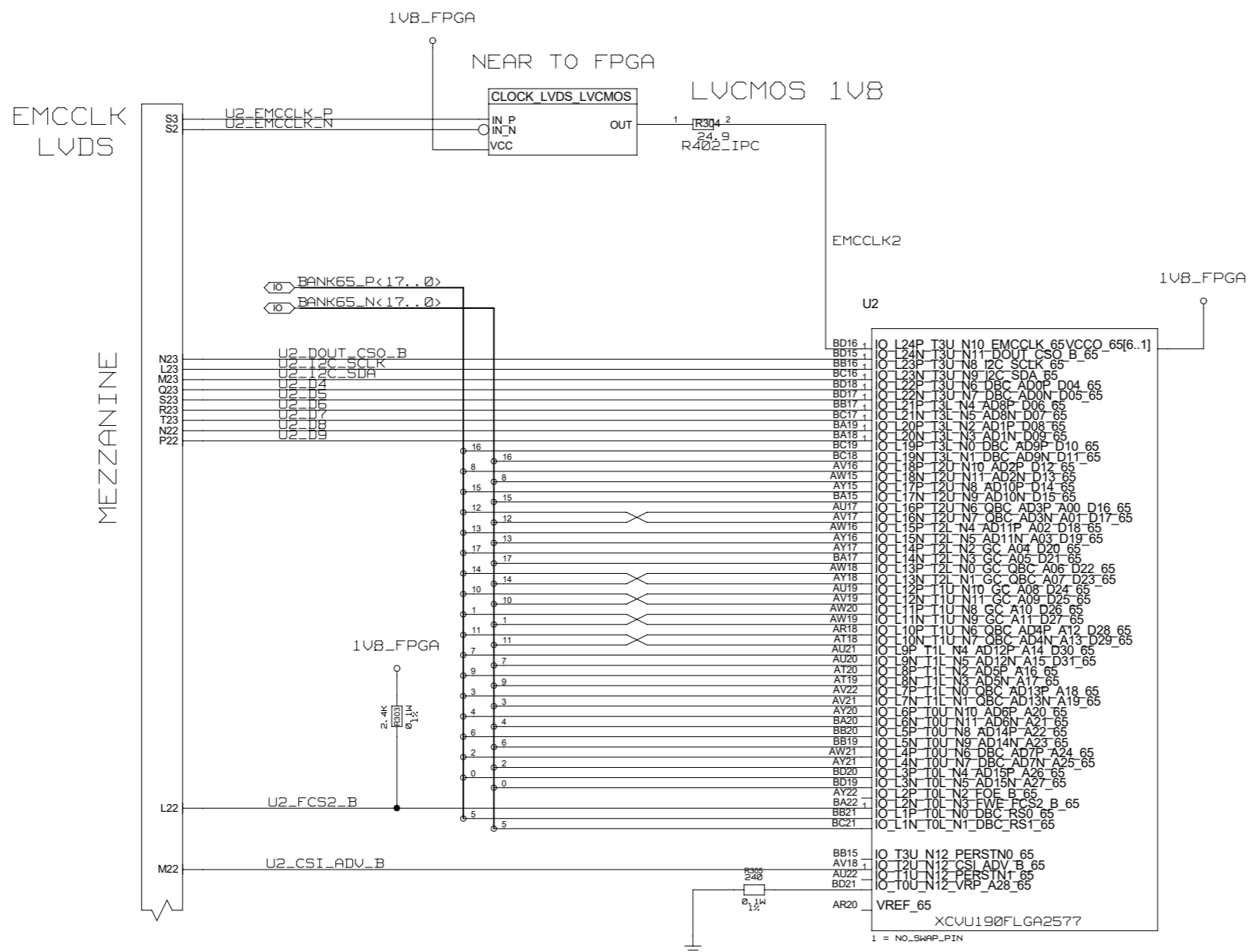
REVISIONS				
ZONE	LTR	DESCRIPTION	DATE	APPR.



BANK
61
62
63

NAME	DATE	SIGN	DRAWING TITLE
CHECKED	J.V.DE SOUZA		JFEX
CHECKED	U.SCHAEFER		
CHECKED	S.RAVE		
DRAWN	BAUSS	25.08.2015	
BLOCK TITLE			
U2_PARALLEL_I/O			
UNIVERSITY OF MAINZ			
SIZE	REV.	DRAWING NO.	
C			
SCALE		SHEET 1 OF 5	

REVISIONS				
ZONE	LTR	DESCRIPTION	DATE	APPR.

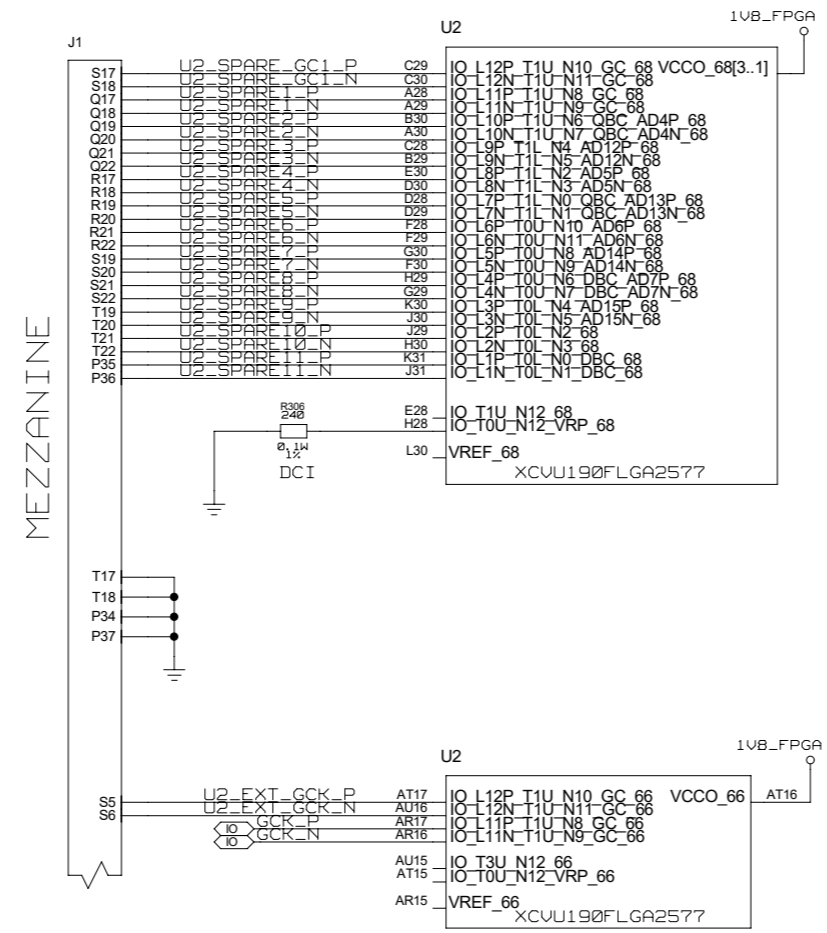


MEZZANINE

BANK
65

NAME	DATE	SIGN	DRAWING TITLE
CHECKED J. V. DE SOUZA			JFEX
CHECKED U.SCHAEFER			
CHECKED S.RAVE			
DRAWN BAUSS	25.08.2015		
BLOCK TITLE			
U2_PARALLEL_I/O			
UNIVERSITY OF MAINZ			
SIZE	REV.	DRAWING NO.	
C			
SCALE			SHEET 2 OF 5

REVISIONS				
ZONE	LTR	DESCRIPTION	DATE	APPR.



MEZZANINE

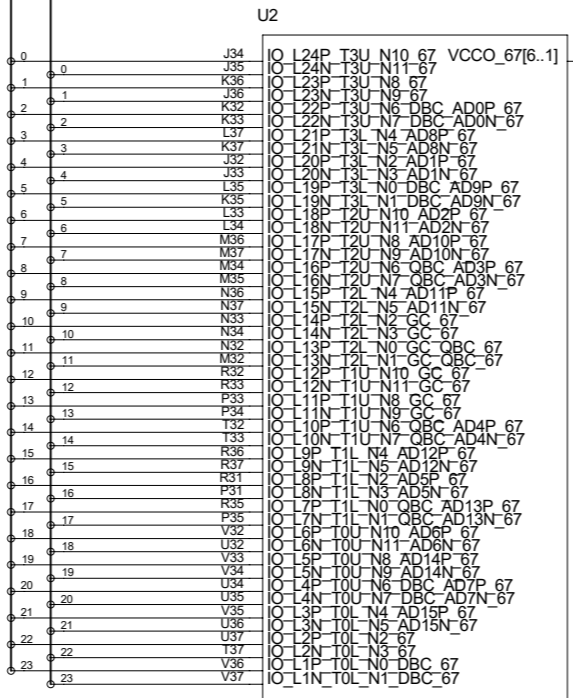
BANK
66
68

NAME	DATE	SIGN	DRAWING TITLE
CHECKED J. V. DE SOUZA			JFEX
CHECKED U. SCHAEFER			
CHECKED S. RAVE			
DRAWN BAUSS	25. 08. 2015		
BLOCK TITLE			
U2_PARALLEL_I/O			
UNIVERSITY OF MAINZ			
SIZE	REV.	DRAWING NO.	
C			
SCALE			SHEET 3 OF 5

REVISIONS				
ZONE	LTR	DESCRIPTION	DATE	APPR.

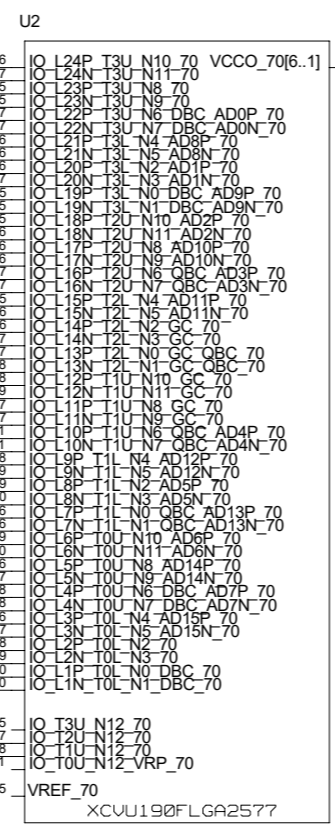
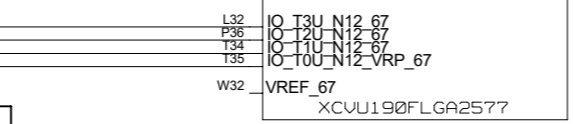
BANK67_P<23..0>
BANK67_N<23..0>

1UB_FPGA



CPLD_I/O<11..0>

BANK70_P<23..0>
BANK70_N<23..0>



MMCX 180 U74

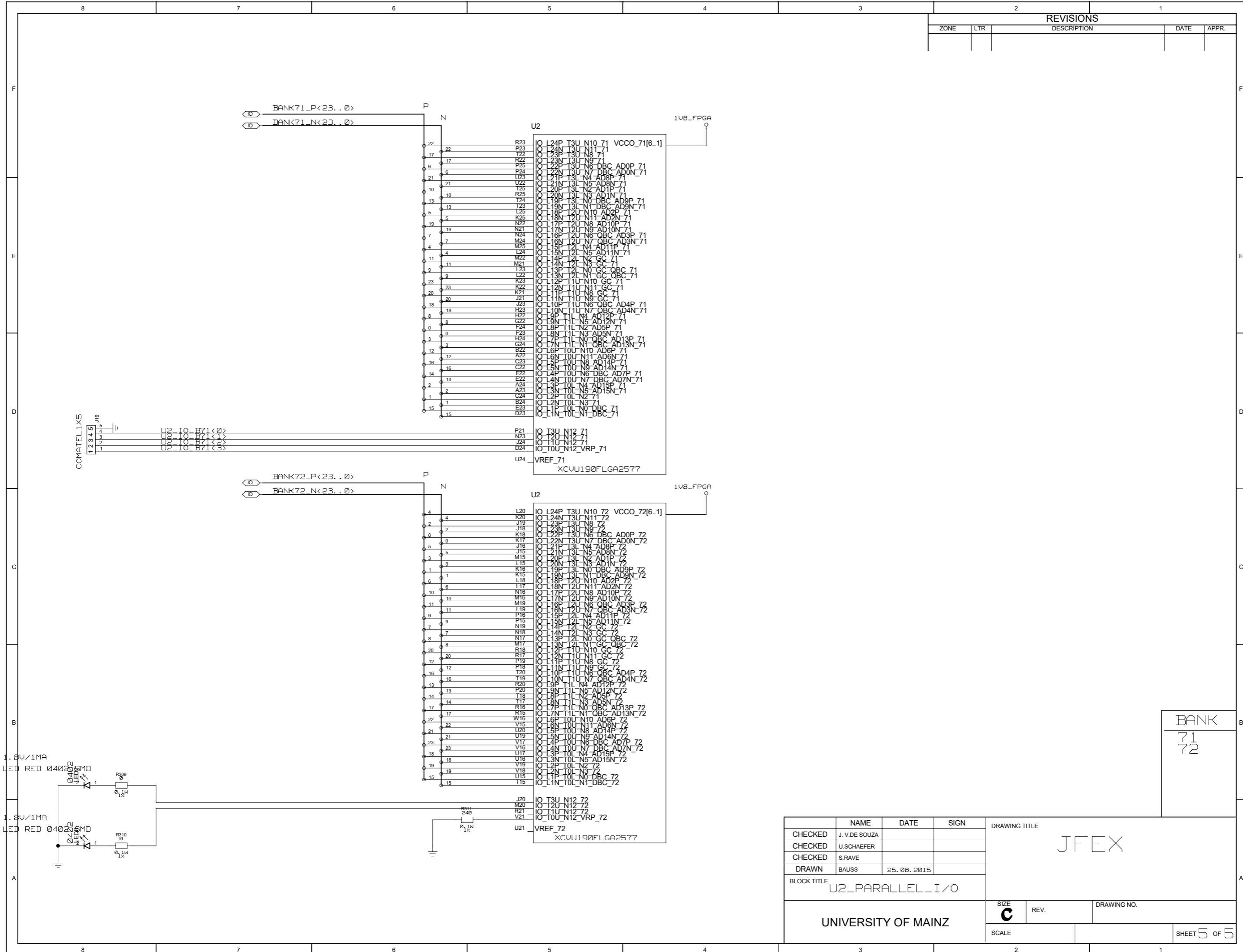
CPLD_CLK

VALUE ????

BANK
57
70

NAME	DATE	SIGN	DRAWING TITLE
CHECKED J.V.DE SOUZA			JFEX
CHECKED U.SCHAEFER			
CHECKED S.RAVE			
DRAWN BAUSS	25.08.2015		
BLOCK TITLE			
U2_PARALLEL_I/O			
UNIVERSITY OF MAINZ		SIZE C	DRAWING NO.
SCALE		REV.	SHEET 4 OF 5

REVISIONS				
ZONE	LTR	DESCRIPTION	DATE	APPR.



BANK71_P<23..0>
BANK71_N<23..0>

BANK72_P<23..0>
BANK72_N<23..0>

COMATELIX5

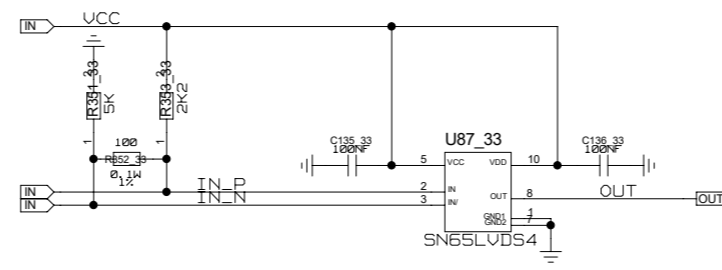
1.8V/1mA
LED RED 0402

1.8V/1mA
LED RED 0402

BANK
71
72

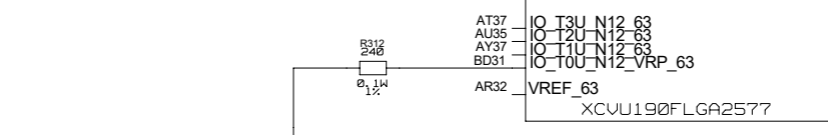
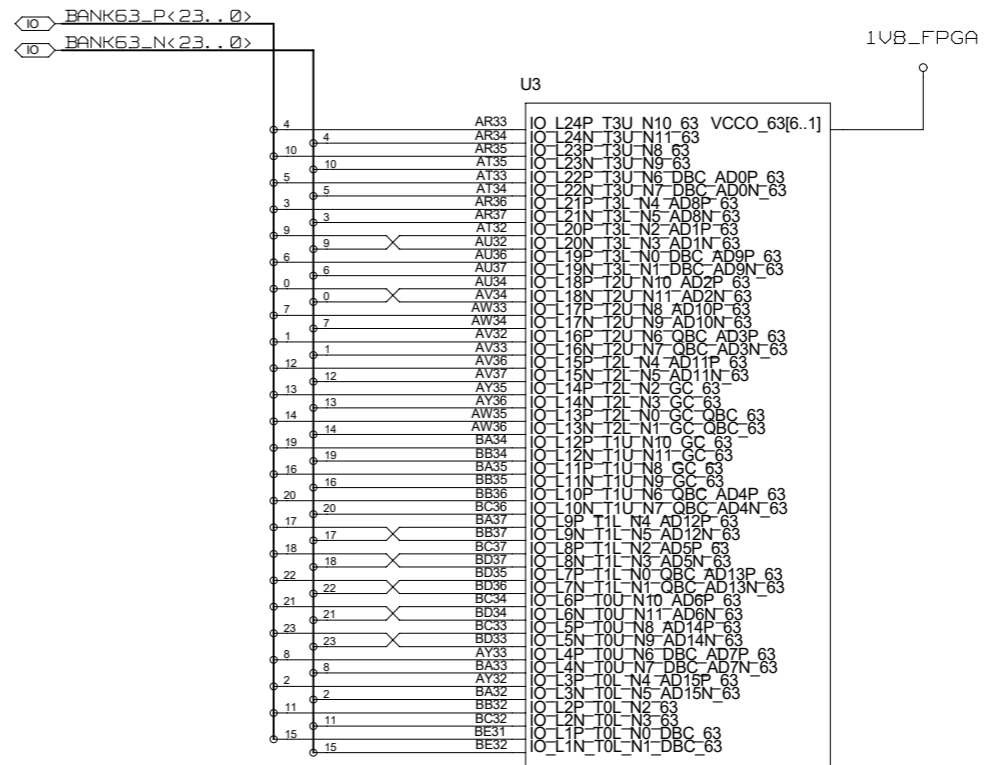
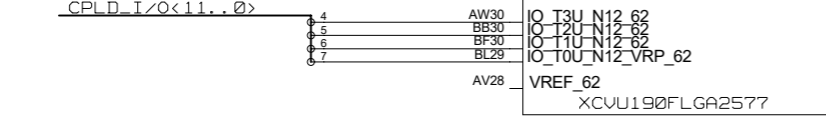
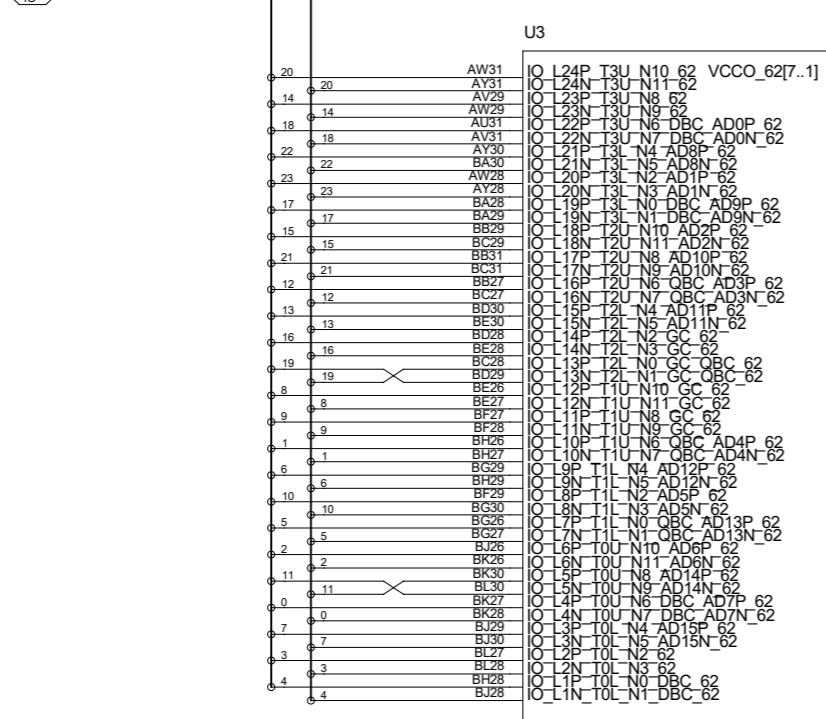
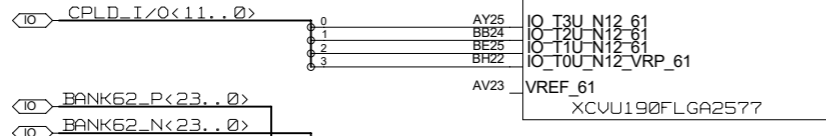
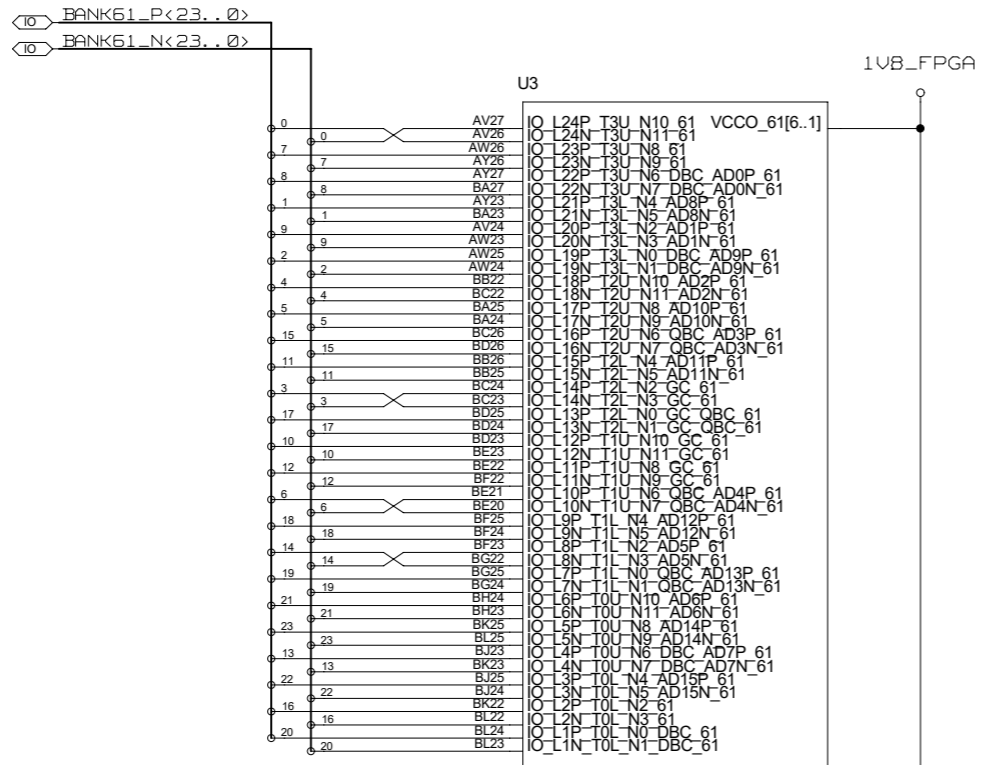
NAME	DATE	SIGN	DRAWING TITLE
CHECKED J.V.DE SOUZA			JFEX
CHECKED U.SCHAEFER			
CHECKED S.RAVE			
DRAWN BAUSS	25.08.2015		
BLOCK TITLE			
U2_PARALLEL_I/O			
UNIVERSITY OF MAINZ		SIZE C	DRAWING NO.
SCALE			SHEET 5 OF 5

REVISIONS				
ZONE	LTR	DESCRIPTION	DATE	APPR.



CHECKED	J. V. DE SOUZA			DRAWING TITLE JFEX
CHECKED	U. SCHAEFER			
CHECKED	S. RAVE			
DRAWN	BAUSS			
BLOCK TITLE CLOCK_LVDS_LVCMOS				
UNIVERSITY OF MAINZ		SIZE C	REV.	DRAWING NO.
SCALE				SHEET OF

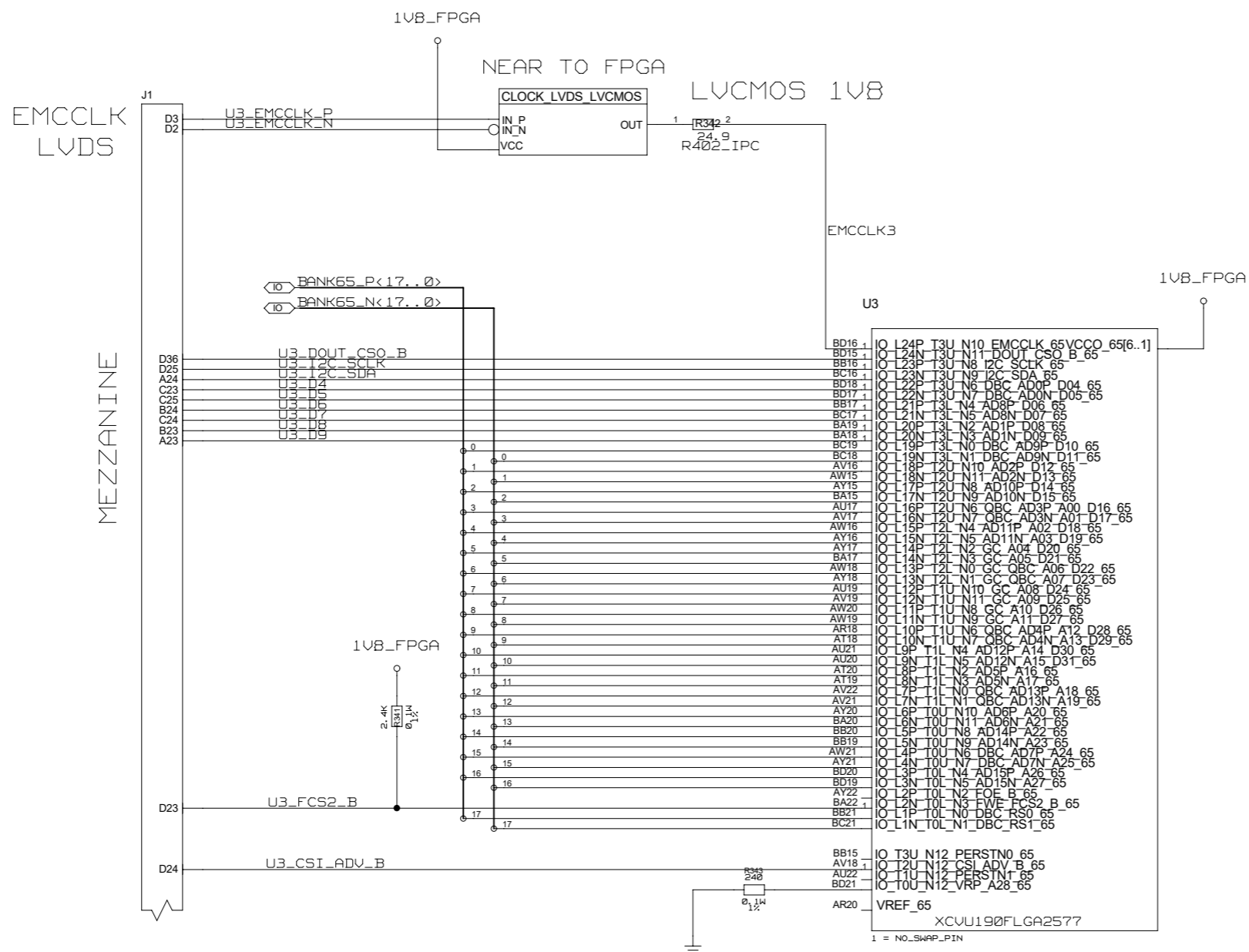
REVISIONS				
ZONE	LTR	DESCRIPTION	DATE	APPR.



BANK
61
62
63

NAME	DATE	SIGN	DRAWING TITLE
CHECKED	J.V.DE SOUZA		JFEX
CHECKED	U.SCHAEFER		
CHECKED	S.RAVE		
DRAWN	BAUSS	25.08.2015	
BLOCK TITLE			
U3_PARALLEL_I/O			
UNIVERSITY OF MAINZ		SIZE C	REV.
SCALE		DRAWING NO.	
		SHEET 1 OF 5	

REVISIONS				
ZONE	LTR	DESCRIPTION	DATE	APPR.



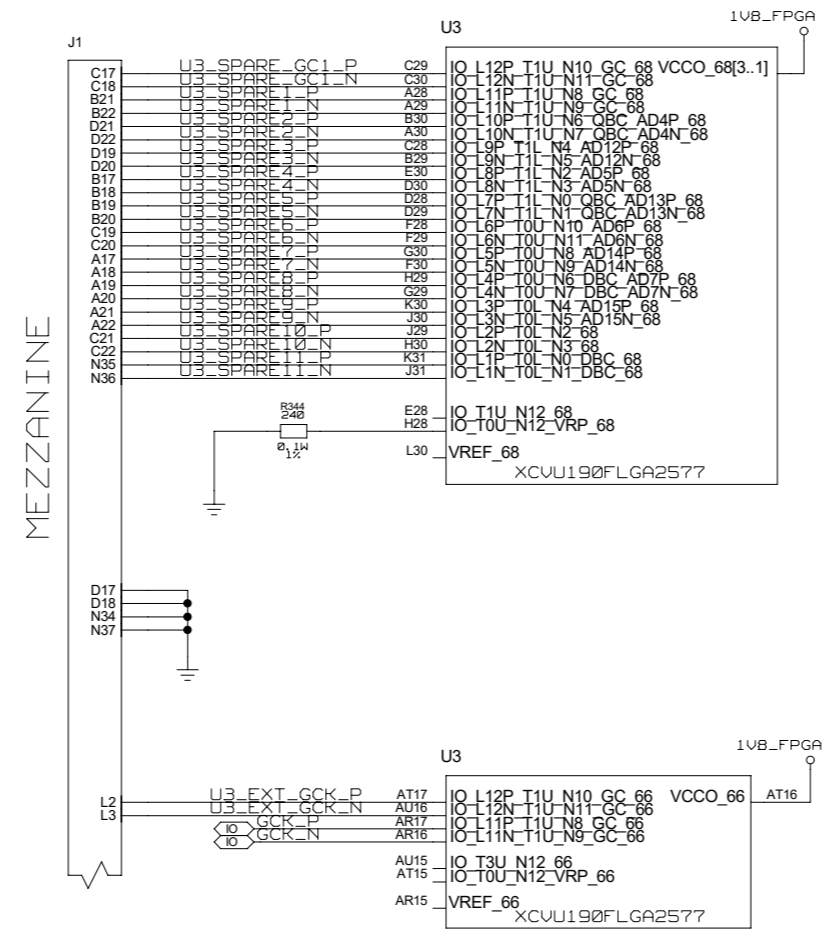
BD16	IO	L24P	T3U	N10	EMCCLK_65VCCO_65[6..1]
BD15	IO	L24N	T3U	N11	DOUT_CS0_B_65
BB16	IO	L23P	T3U	N8	I2C_SCLK_65
BC16	IO	L23N	T3U	N9	I2C_SDA_65
BD18	IO	L22P	T3U	N6	DBC_AD0P_D04_65
BD17	IO	L22N	T3U	N7	DBC_AD0N_D05_65
BB17	IO	L21P	T3U	N4	AD8P_D06_65
BC17	IO	L21N	T3U	N5	AD8N_D07_65
BA19	IO	L20P	T3U	N2	AD1P_D08_65
BA18	IO	L20N	T3U	N3	AD1N_D09_65
BC19	IO	L19P	T3U	N0	DBC_AD9P_D10_65
BC18	IO	L19N	T3U	N1	DBC_AD9N_D11_65
AV16	IO	L18P	T2U	N10	AD2P_D12_65
AW15	IO	L18N	T2U	N11	AD2N_D13_65
AY15	IO	L17P	T2U	N8	AD10P_D14_65
BA15	IO	L17N	T2U	N9	AD10N_D15_65
AU17	IO	L16P	T2U	N6	OBC_AD3P_A00_D16_65
AV17	IO	L16N	T2U	N7	OBC_AD3N_A01_D17_65
AW16	IO	L15P	T2U	N4	AD11P_A02_D18_65
AY16	IO	L15N	T2U	N5	AD11N_A03_D19_65
AY17	IO	L14P	T2U	N2	GC_A04_D20_65
BA17	IO	L14N	T2U	N3	GC_A05_D21_65
AW18	IO	L13P	T2U	N0	GC_OBC_A06_D22_65
AY18	IO	L13N	T2U	N1	GC_OBC_A07_D23_65
AU19	IO	L12P	T1U	N10	GC_A08_D24_65
AV19	IO	L12N	T1U	N11	GC_A09_D25_65
AW20	IO	L11P	T1U	N8	GC_A10_D26_65
AW19	IO	L11N	T1U	N9	GC_A11_D27_65
AR18	IO	L10P	T1U	N6	OBC_AD4P_A12_D28_65
AT18	IO	L10N	T1U	N7	OBC_AD4N_A13_D29_65
AU21	IO	L9P	T1L	N4	AD12P_A14_D30_65
AU20	IO	L9N	T1L	N5	AD12N_A15_D31_65
AT20	IO	L8P	T1L	N2	AD5P_A16_65
AT19	IO	L8N	T1L	N3	AD5N_A17_65
AV22	IO	L7P	T1L	N0	OBC_AD13P_A18_65
AV21	IO	L7N	T1L	N1	OBC_AD13N_A19_65
AY20	IO	L6P	T0U	N10	AD8P_A20_65
BA20	IO	L6N	T0U	N11	AD8N_A21_65
BB20	IO	L5P	T0U	N8	AD14P_A22_65
BB19	IO	L5N	T0U	N9	AD14N_A23_65
AW21	IO	L4P	T0U	N6	DBC_AD7P_A24_65
AY21	IO	L4N	T0U	N7	DBC_AD7N_A25_65
BD20	IO	L3P	T0L	N4	AD15P_A26_65
BD19	IO	L3N	T0L	N5	AD15N_A27_65
AY22	IO	L2P	T0L	N2	FOE_B_65
BA22	IO	L2N	T0L	N3	FOE_FCS2_B_65
BB21	IO	L1P	T0L	N0	DBC_RS0_65
BC21	IO	L1N	T0L	N1	DBC_RS1_65
BB15	IO	T3U	N12	PERSTN0_65	
AV18	IO	T2U	N12	CSI_ADV_B_65	
AU22	IO	T1U	N12	PERSTN1_65	
BD21	IO	T0U	N12	VRP_A28_65	
AR20	VREF_65	XCVU190FLGA2577			

1 = NO_SWAP_PIN

BANK
65

NAME	DATE	SIGN	DRAWING TITLE
CHECKED	J.V.DE SOUZA		JFEX
CHECKED	U.SCHAEFER		
CHECKED	S.RAVE		
DRAWN	BAUSS	25.08.2015	
BLOCK TITLE			
U3_PARALLEL_I/O			
UNIVERSITY OF MAINZ		SIZE C	REV.
		SCALE	DRAWING NO.
			SHEET 2 OF 5

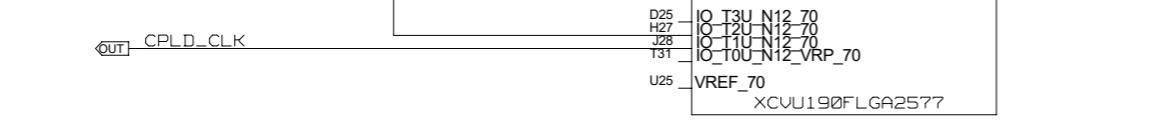
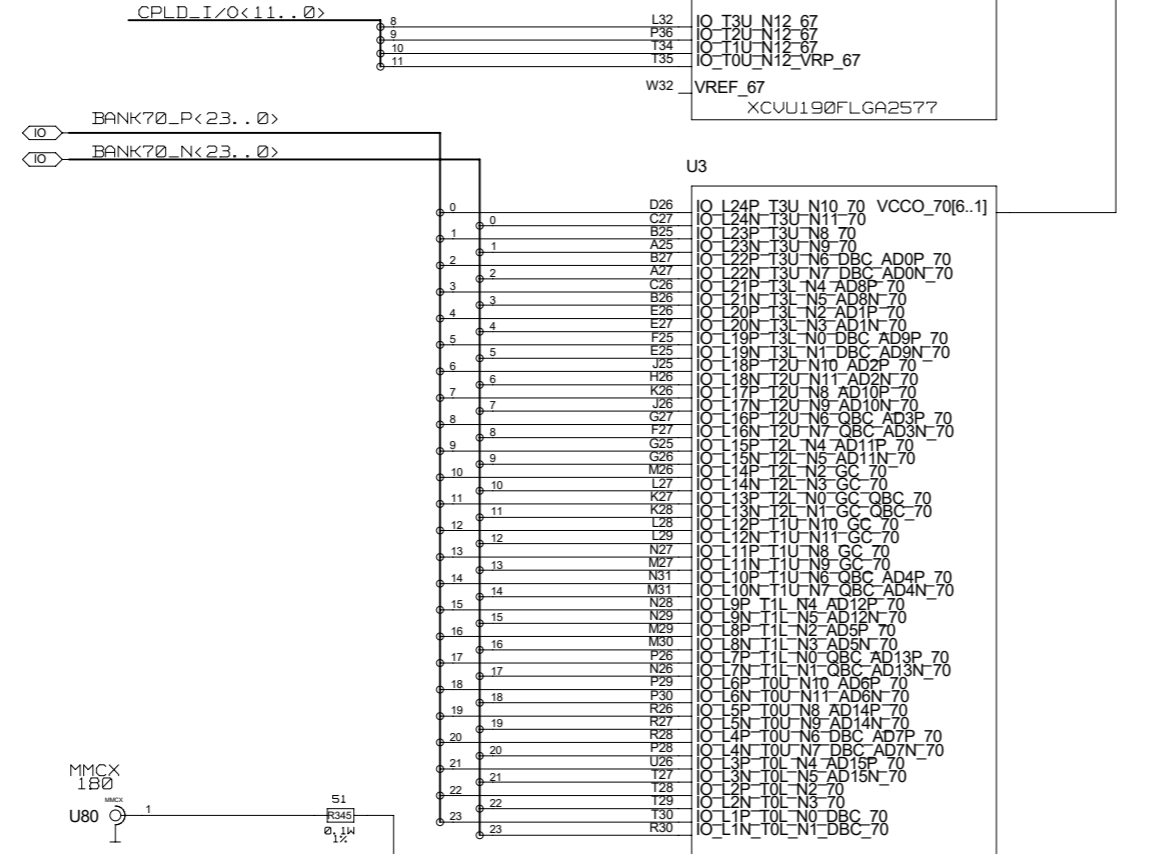
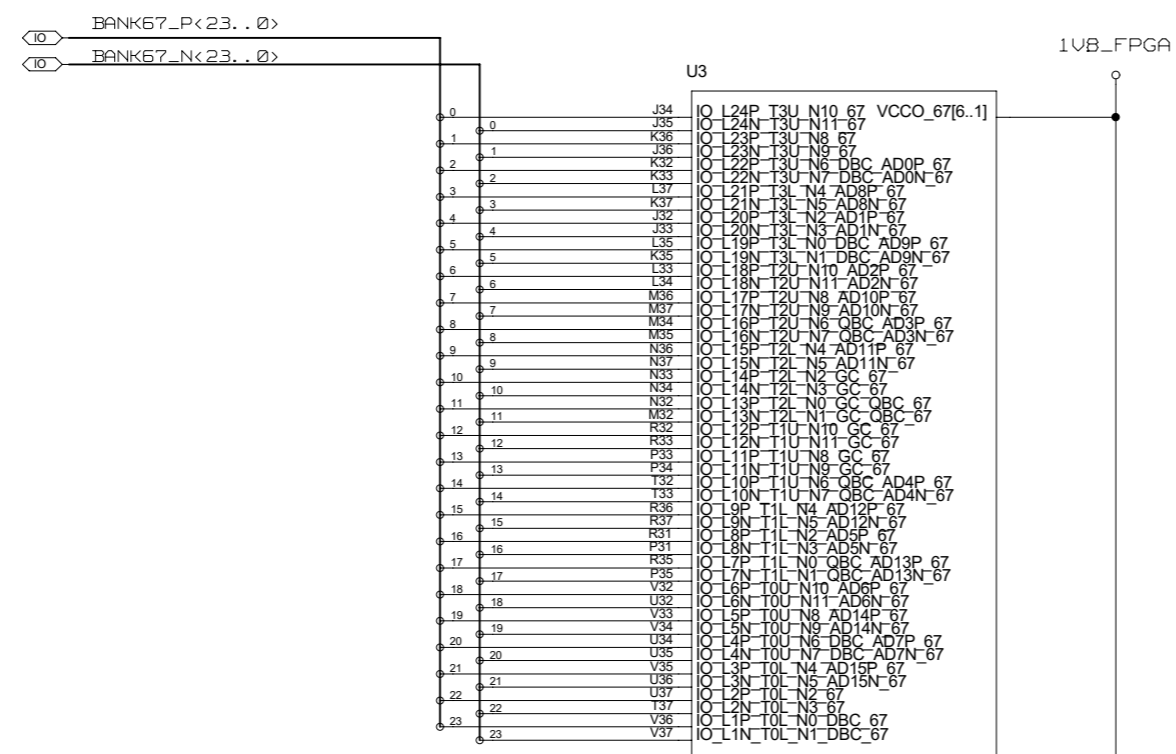
REVISIONS				
ZONE	LTR	DESCRIPTION	DATE	APPR.



BANK
66
68

NAME	DATE	SIGN	DRAWING TITLE
CHECKED J. V. DE SOUZA			JFEX
CHECKED U. SCHAEFER			
CHECKED S. RAVE			
DRAWN BAUSS	25. 08. 2015		
BLOCK TITLE			
U3_PARALLEL_I/O			
UNIVERSITY OF MAINZ			SIZE C REV. DRAWING NO.
SCALE			SHEET 3 OF 5

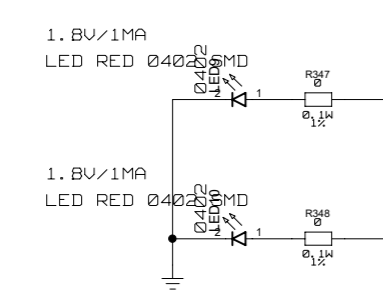
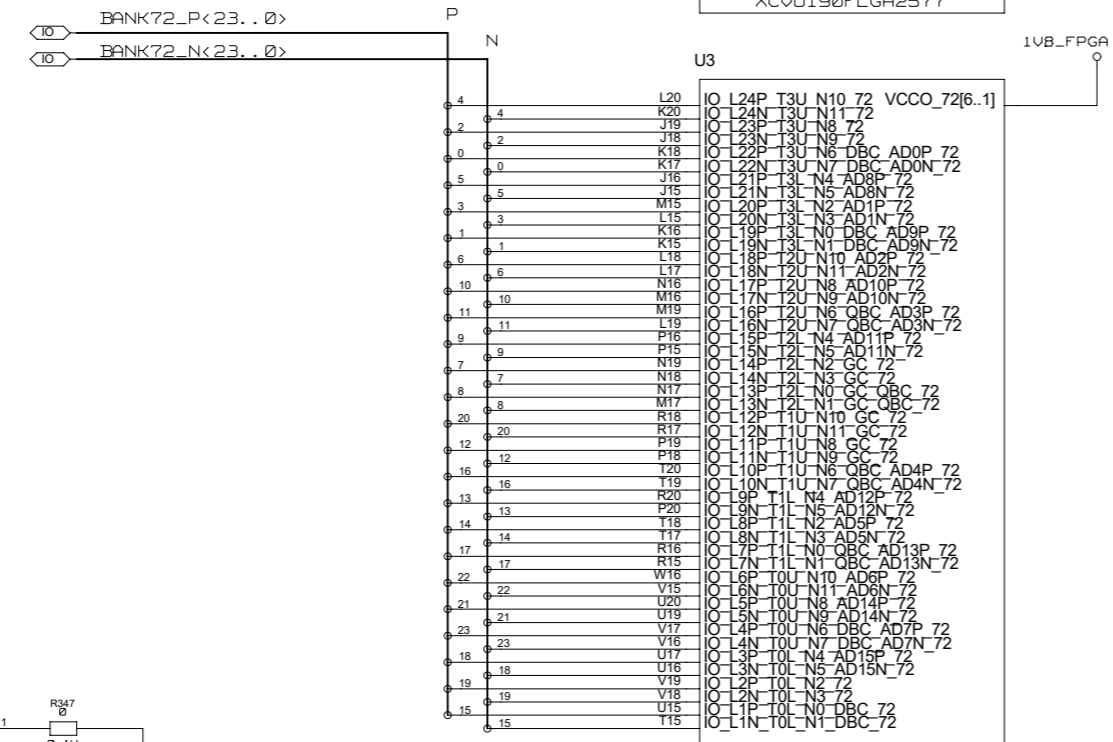
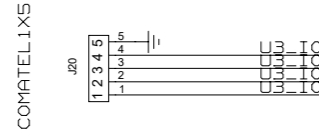
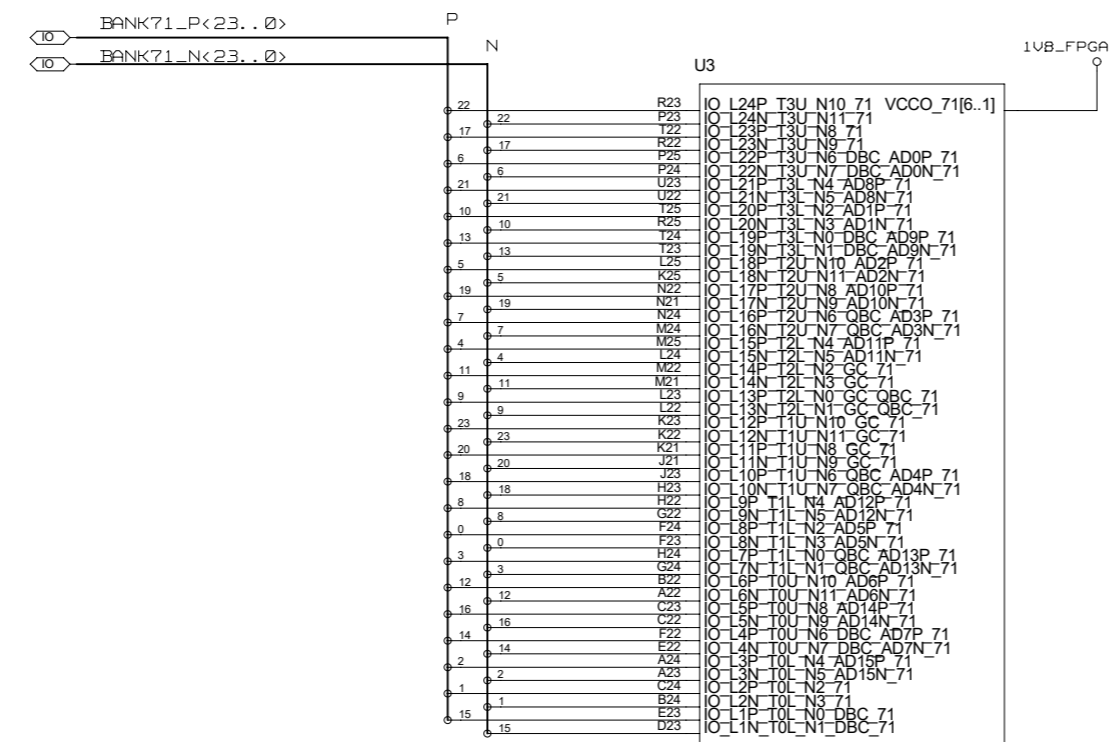
REVISIONS				
ZONE	LTR	DESCRIPTION	DATE	APPR.



BANK
67
70

NAME	DATE	SIGN	DRAWING TITLE
CHECKED J.V.DE SOUZA			JFEX
CHECKED U.SCHAEFER			
CHECKED S.RAVE			
DRAWN BAUSS	25.08.2015		
BLOCK TITLE			
U3_PARALLEL_I/O			
UNIVERSITY OF MAINZ		SIZE C	REV.
		SCALE	DRAWING NO.
			SHEET 4 OF 5

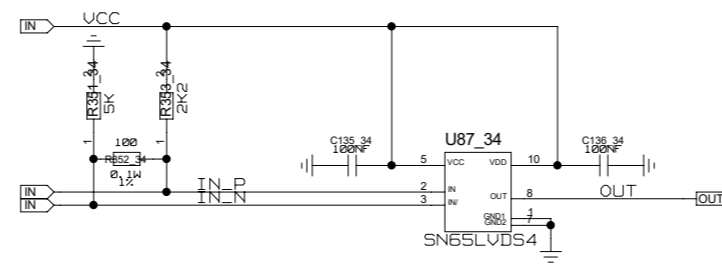
REVISIONS				
ZONE	LTR	DESCRIPTION	DATE	APPR.



BANK
71
72

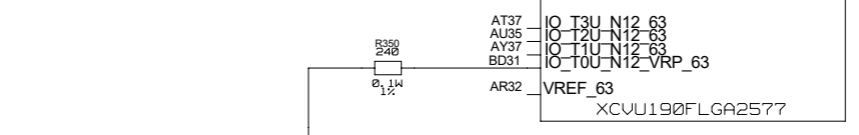
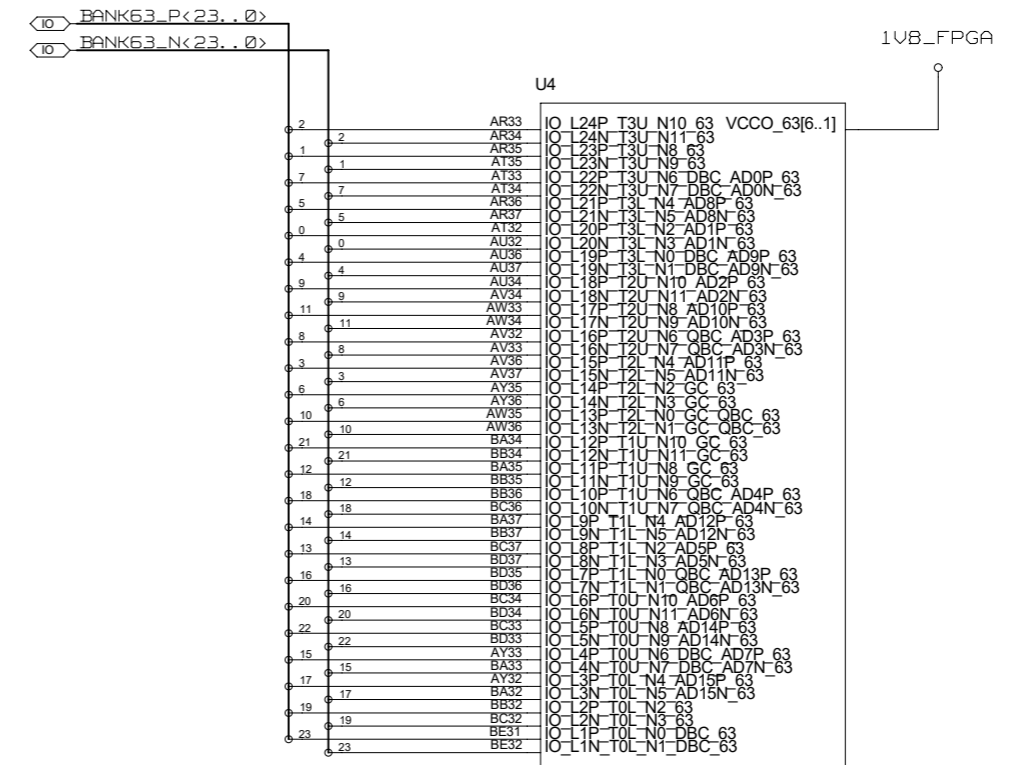
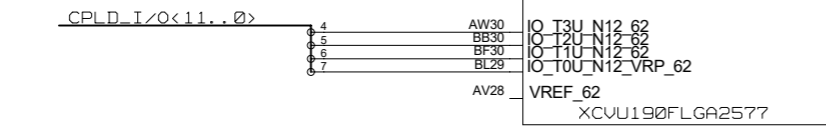
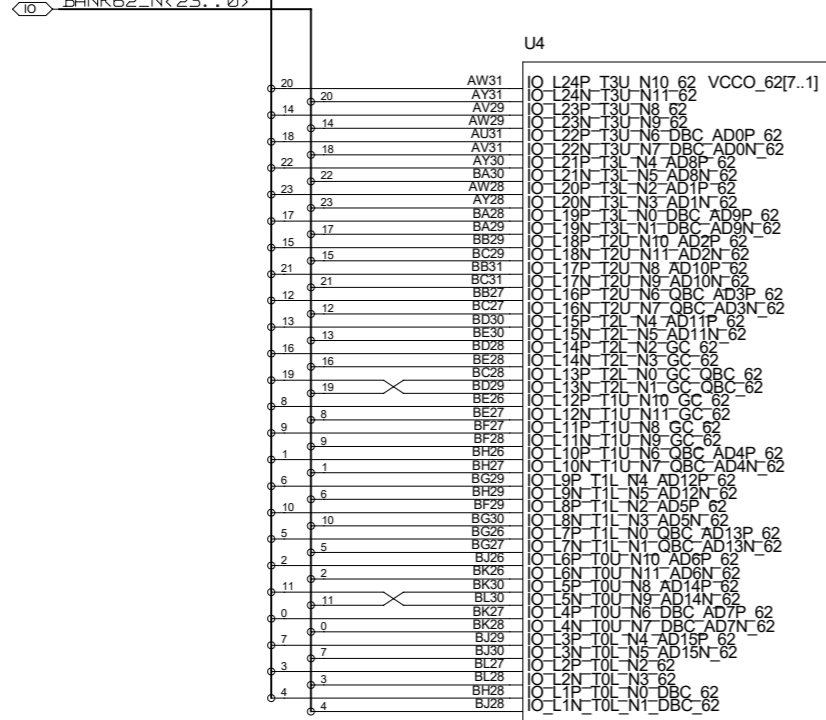
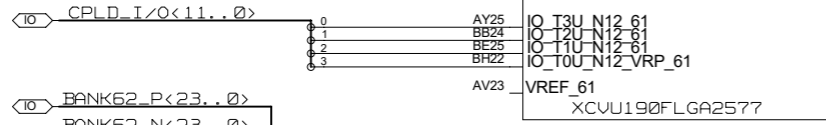
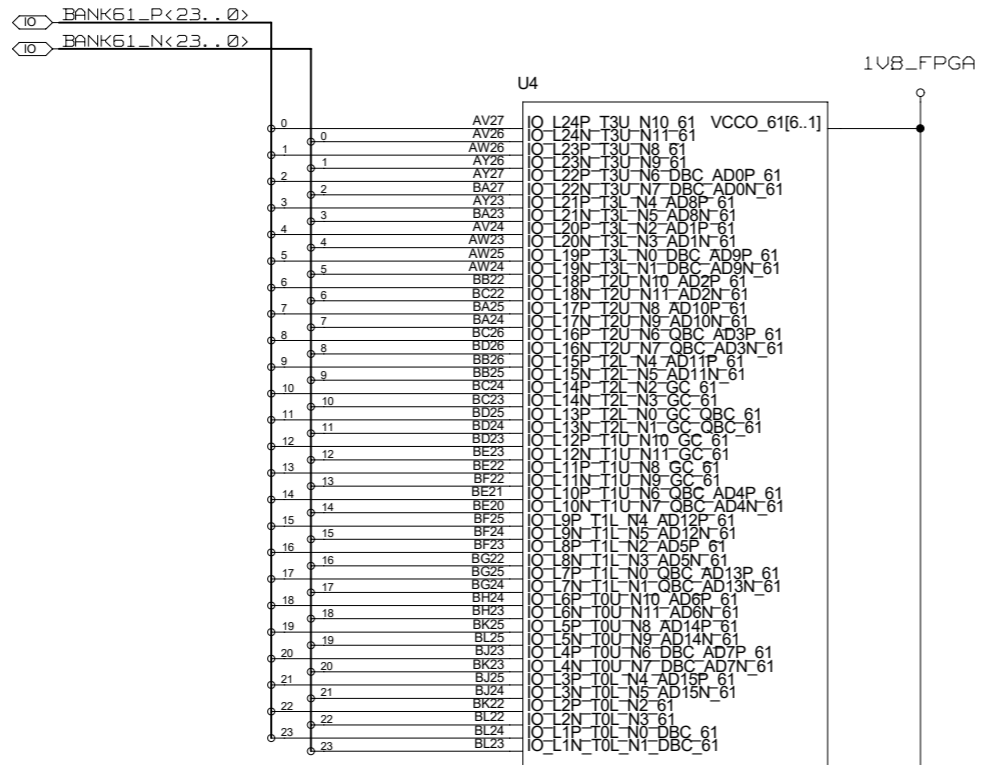
NAME	DATE	SIGN	DRAWING TITLE
CHECKED J.V. DE SOUZA			JFEX
CHECKED U.SCHAEFER			
CHECKED S.RAVE			
DRAWN BAUSS	25.08.2015		
BLOCK TITLE			
U3_PARALLEL_I/O			
UNIVERSITY OF MAINZ		SIZE C	DRAWING NO.
		SCALE	SHEET 5 OF 5

REVISIONS				
ZONE	LTR	DESCRIPTION	DATE	APPR.



CHECKED	J. V. DE SOUZA			DRAWING TITLE JFEX
CHECKED	U. SCHAEFER			
CHECKED	S. RAVE			
DRAWN	BAUSS			
BLOCK TITLE CLOCK_LVDS_LVCMOS				
UNIVERSITY OF MAINZ		SIZE C	REV.	DRAWING NO.
SCALE				SHEET OF

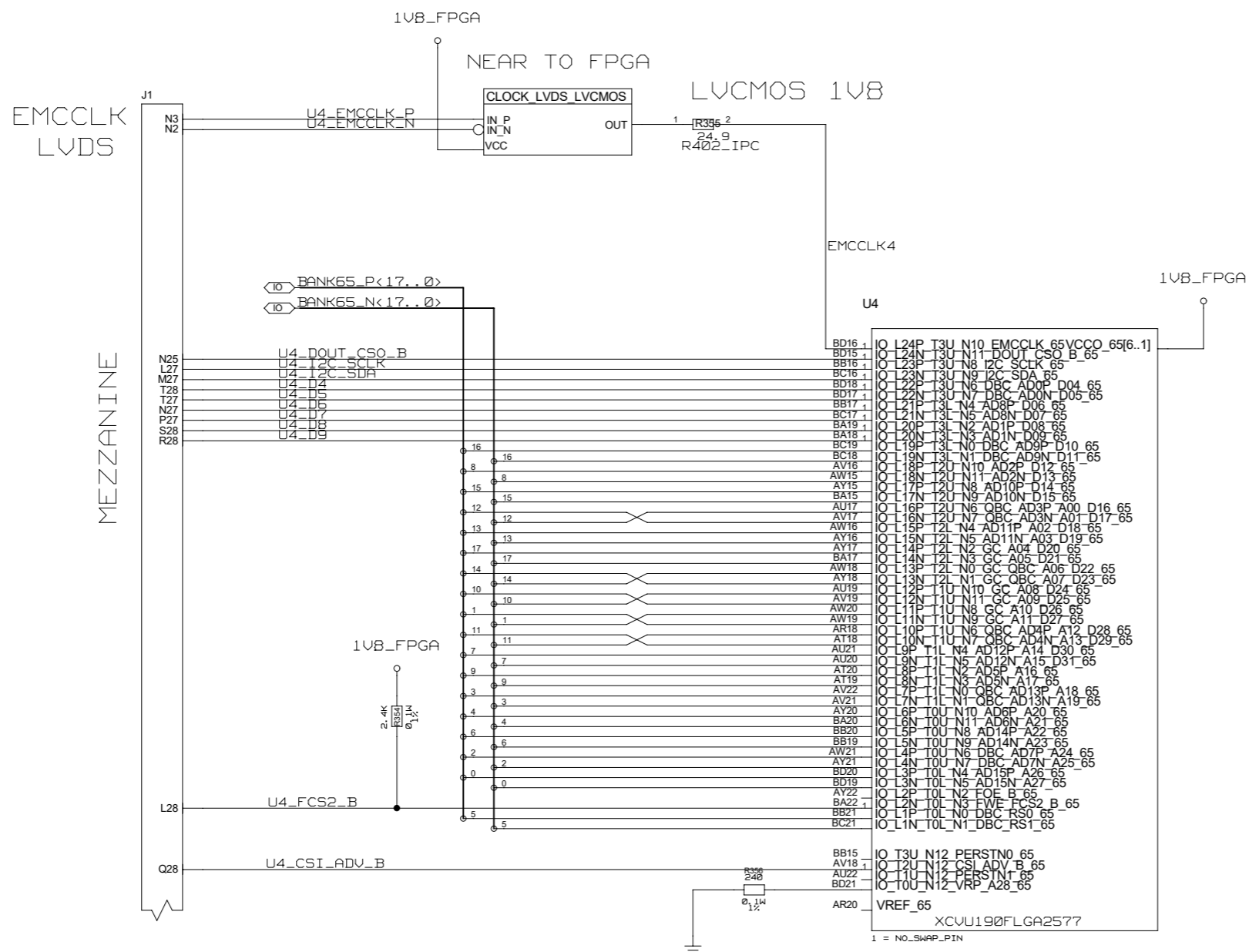
REVISIONS				
ZONE	LTR	DESCRIPTION	DATE	APPR.



BANK
61
62
63

NAME	DATE	SIGN	DRAWING TITLE	
CHECKED	J.V.DE SOUZA		JFEX	
CHECKED	U.SCHAEFER			
CHECKED	S.RAVE			
DRAWN	BAUSS	25.08.2015	BLOCK TITLE	
			U4_PARALLEL_I/O	
UNIVERSITY OF MAINZ			SIZE C	REV.
			SCALE	DRAWING NO.
			SHEET 1 OF 5	

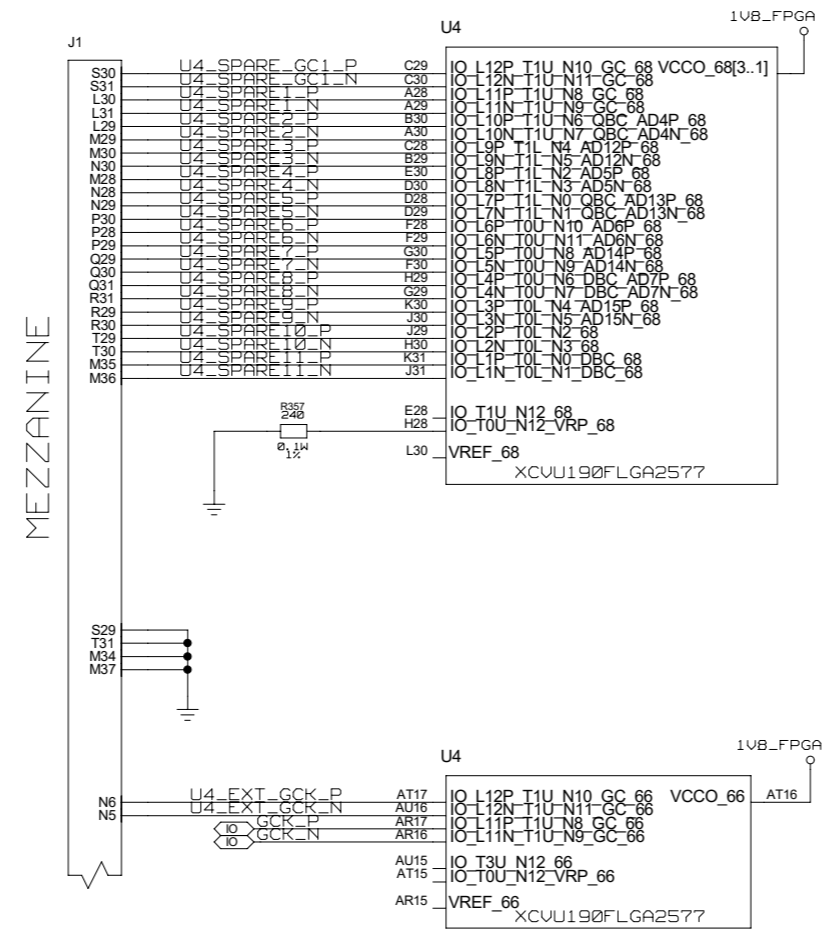
REVISIONS				
ZONE	LTR	DESCRIPTION	DATE	APPR.



BANK
65

NAME	DATE	SIGN	DRAWING TITLE
CHECKED	J.V.DE SOUZA		JFEX
CHECKED	U.SCHAEFER		
CHECKED	S.RAVE		
DRAWN	BAUSS	25.08.2015	
BLOCK TITLE			
U4_PARALLEL_I/O			
UNIVERSITY OF MAINZ			SIZE C
			REV.
			DRAWING NO.
			SCALE
			SHEET 2 OF 5

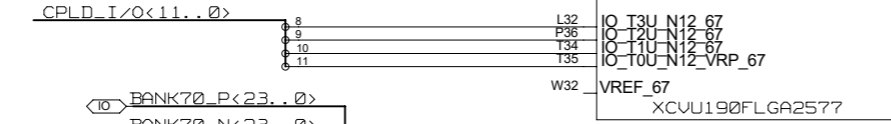
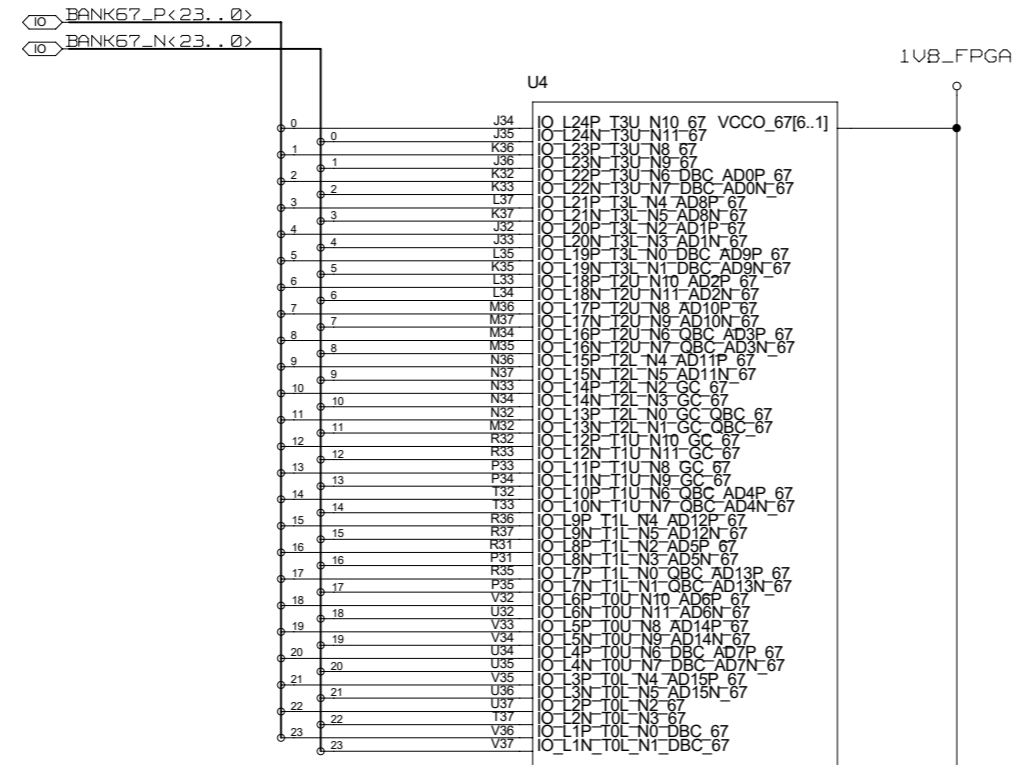
REVISIONS				
ZONE	LTR	DESCRIPTION	DATE	APPR.



BANK
66
68

NAME	DATE	SIGN	DRAWING TITLE
CHECKED J. V. DE SOUZA			JFEX
CHECKED U. SCHAEFER			
CHECKED S. RAVE			
DRAWN BAUSS	25. 08. 2015		
BLOCK TITLE			
U4_PARALLEL_I/O			
UNIVERSITY OF MAINZ			SIZE C REV. DRAWING NO.
SCALE			SHEET 3 OF 5

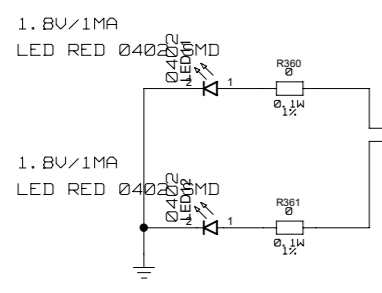
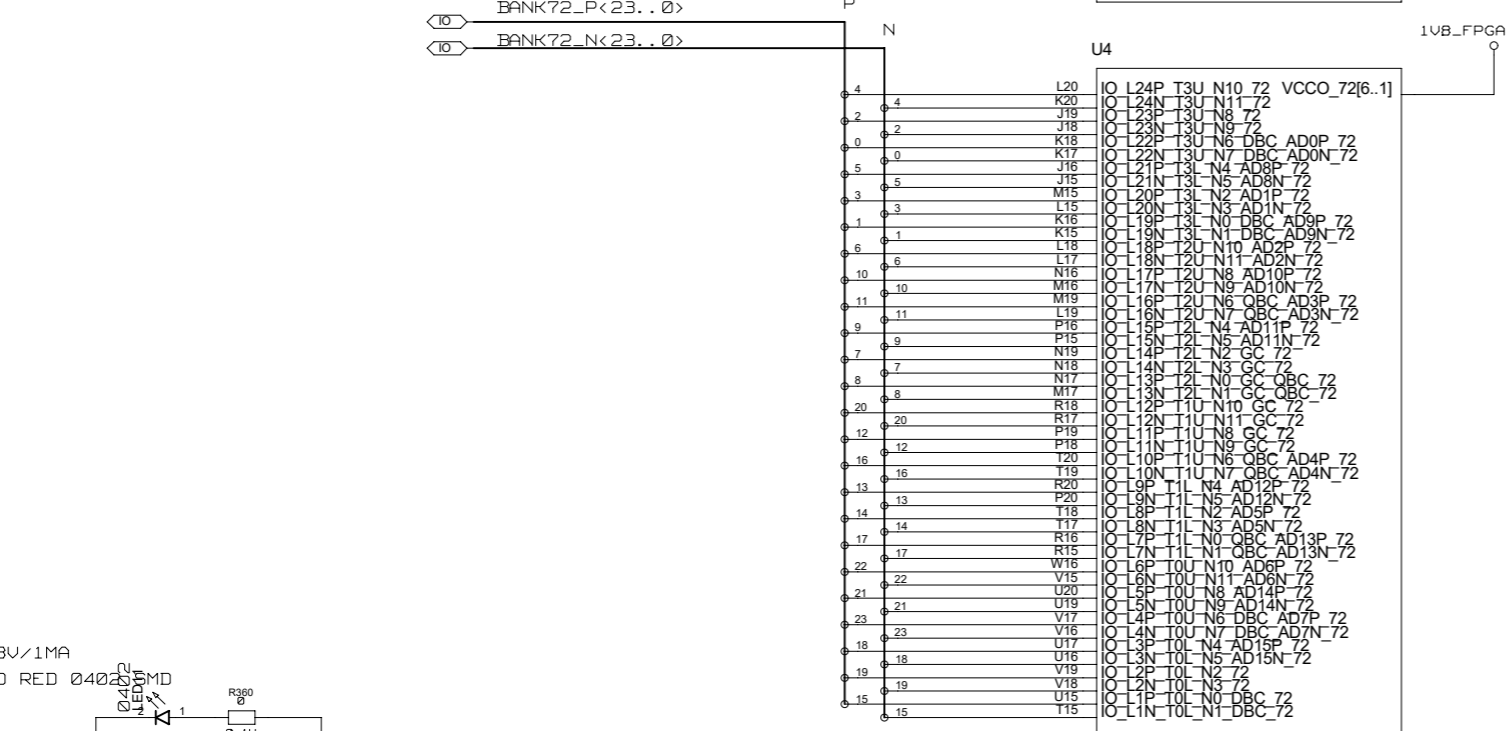
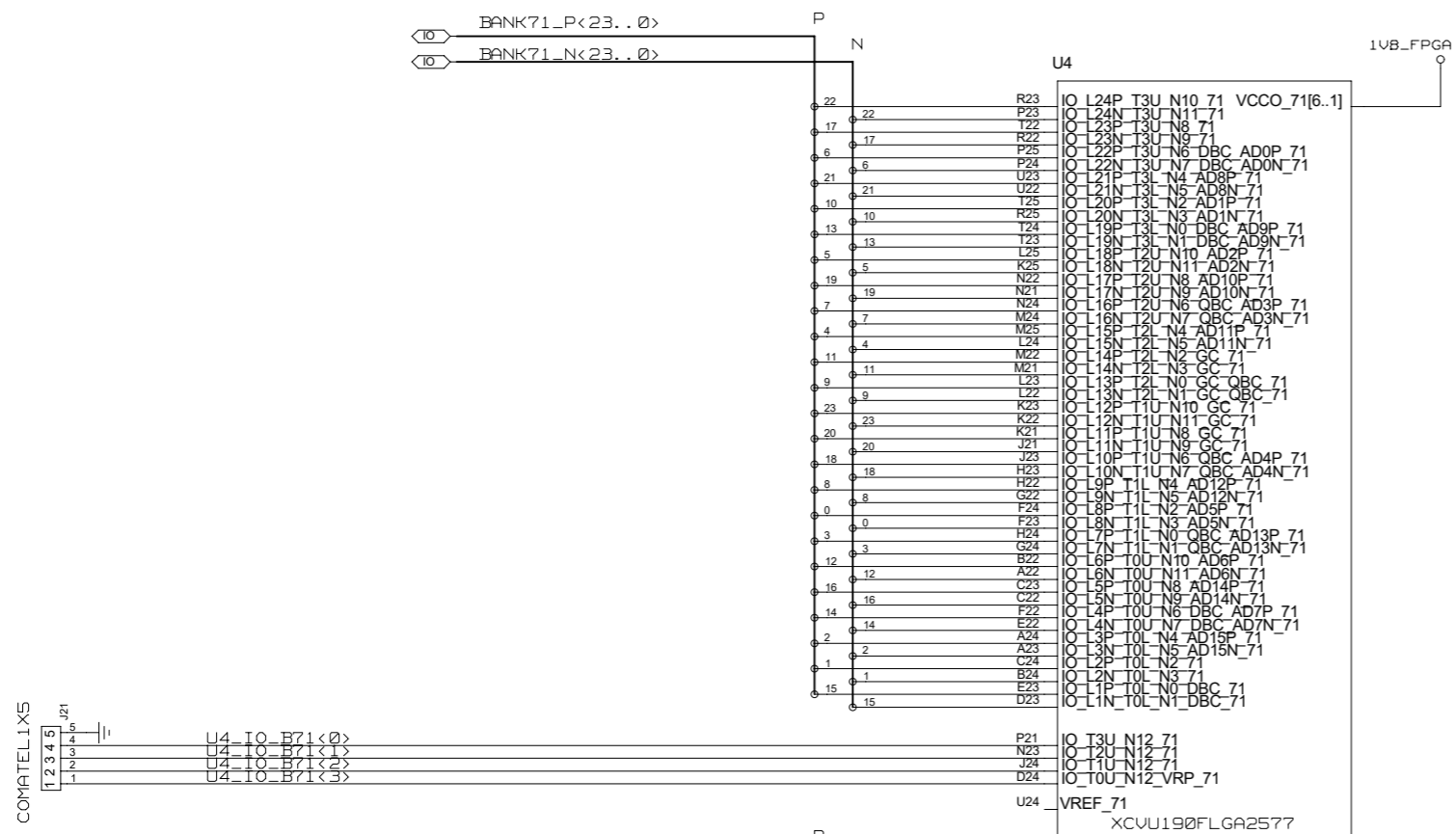
REVISIONS				
ZONE	LTR	DESCRIPTION	DATE	APPR.



BANK
67
70

NAME	DATE	SIGN	DRAWING TITLE
CHECKED J.V. DE SOUZA			JFEX
CHECKED U.SCHAEFER			
CHECKED S.RAVE			
DRAWN BAUSS	25.08.2015		
BLOCK TITLE			
U4_PARALLEL_I/O			
UNIVERSITY OF MAINZ			
SIZE	REV.	DRAWING NO.	
C			
SCALE		SHEET 4 OF 5	

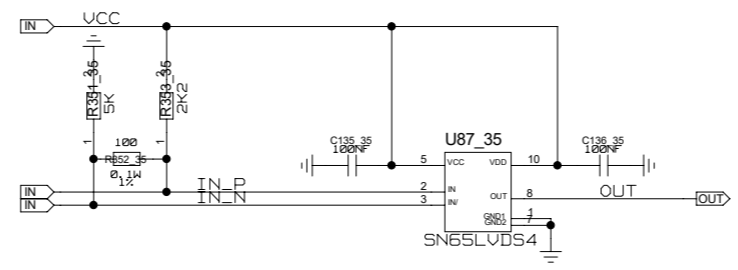
REVISIONS				
ZONE	LTR	DESCRIPTION	DATE	APPR.



BANK
71
72

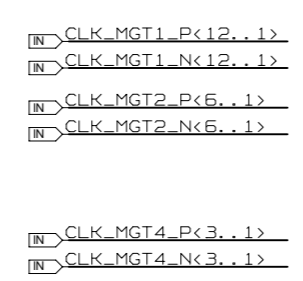
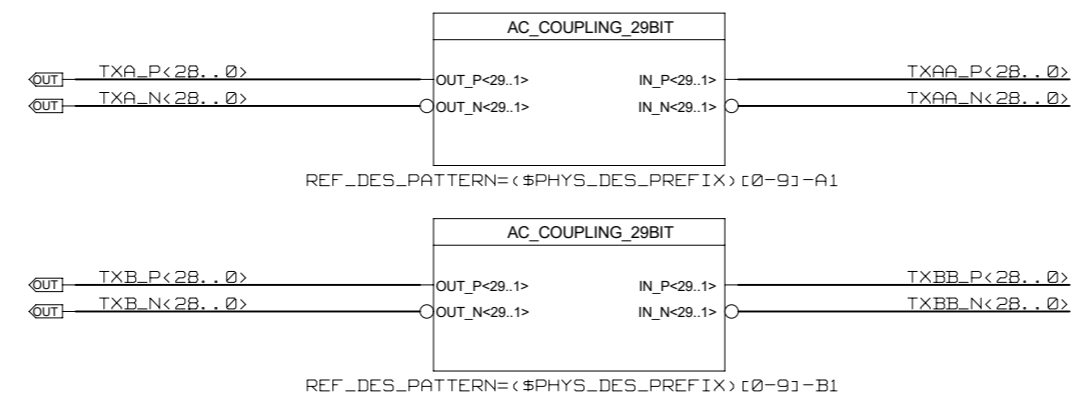
NAME	DATE	SIGN	DRAWING TITLE
CHECKED J.V. DE SOUZA			JFEX
CHECKED U.SCHAEFER			
CHECKED S.RAVE			
DRAWN BAUSS	25.08.2015		
BLOCK TITLE			
U4_PARALLEL_I/O			
UNIVERSITY OF MAINZ		SIZE C	DRAWING NO.
SCALE		REV.	SHEET 5 OF 5

REVISIONS				
ZONE	LTR	DESCRIPTION	DATE	APPR.



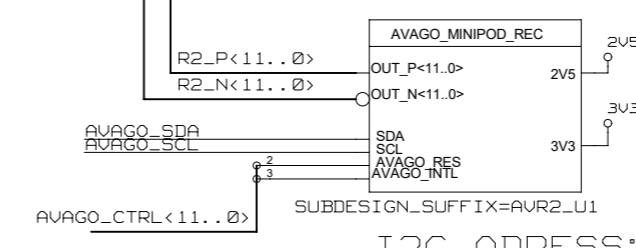
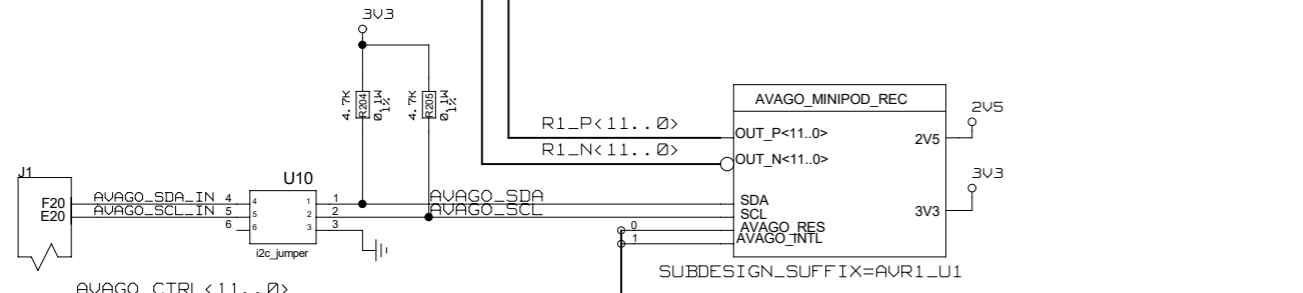
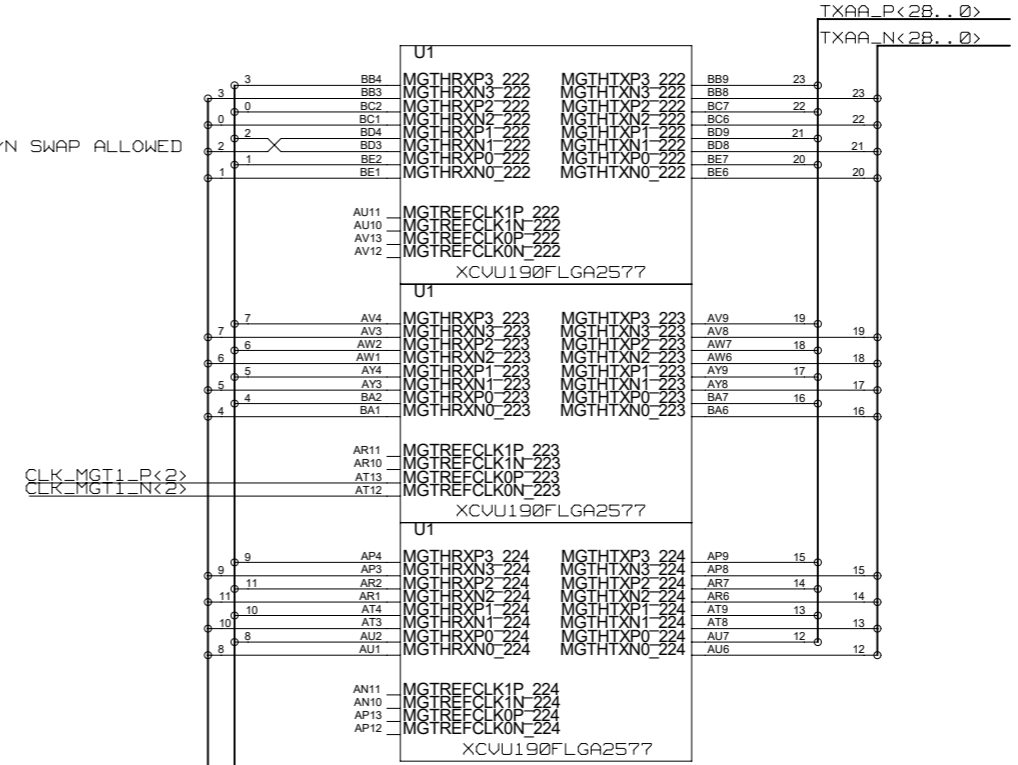
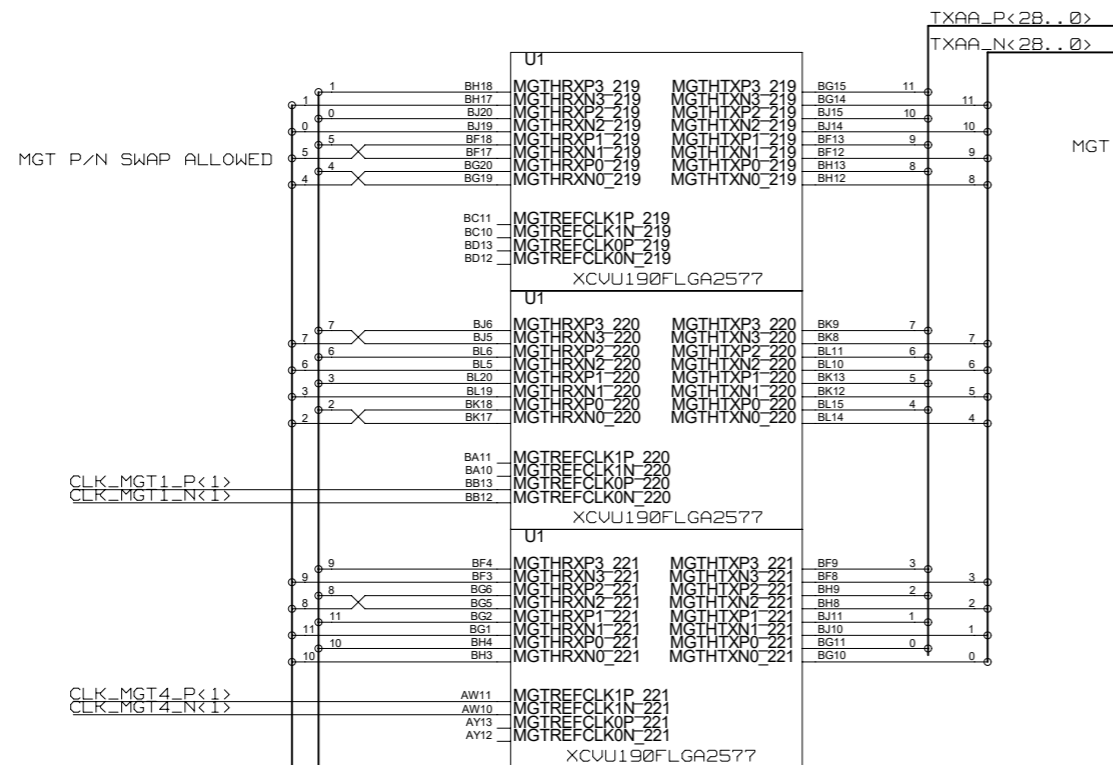
CHECKED	J. V. DE SOUZA			DRAWING TITLE JFEX
CHECKED	U. SCHAEFER			
CHECKED	S. RAVE			
DRAWN	BAUSS			
BLOCK TITLE CLOCK_LVDS_LVCMOS				
UNIVERSITY OF MAINZ		SIZE C	REV.	DRAWING NO.
SCALE				SHEET OF

REVISIONS				
ZONE	LTR	DESCRIPTION	DATE	APPR.



CHECKED	J.V.DE SOUZA			DRAWING TITLE I/O + AC COUPLING
CHECKED	U.SCHAEFER			
CHECKED	S.RAVE			
DRAWN	BAUSS	07.08.2015		
BLOCK TITLE U1_MGT_REAL_TIME				SIZE C
UNIVERSITY OF MAINZ				REV.
SCALE				DRAWING NO.
				SHEET 1 OF 7

REVISIONS				
ZONE	LTR	DESCRIPTION	DATE	APPR.



AVAGO_CTRL<11..0>
 AVAGO_CTRL 0, 2, 4, 6, 8, 10 = AVAGO_RES_XX
 AVAGO_CTRL 1, 3, 5, 7, 9, 11 = AVAGO_INTL_XX

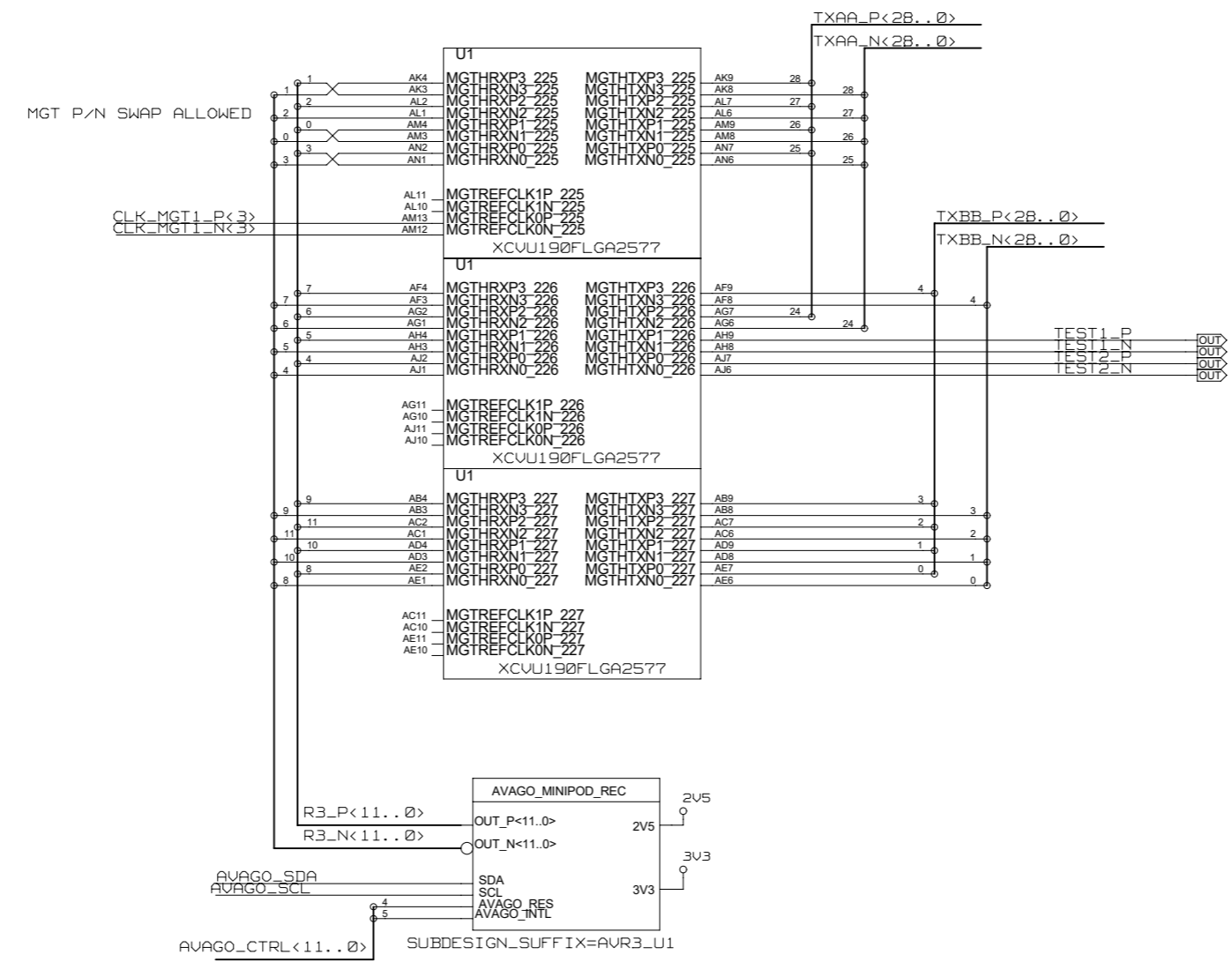
I2C ADDRESS:
 R3=XXX R4=XXX
 R5=XXX R6=XXX
 R7=XXX R8=XXX

I2C ADDRESS:
 R3=XXX R4=XXX
 R5=XXX R6=XXX
 R7=XXX R8=XXX

BANK
210
209
208
207
206
205
204
203
202
201
200

NAME	DATE	SIGN	DRAWING TITLE
CHECKED J.V.DE SOUZA			AVAGO + TXA
CHECKED U.SCHAEFER			
CHECKED S.RAVE			
DRAWN BAUSS	07.08.2015		
BLOCK TITLE			UNIVERSITY OF MAINZ
SIZE	REV.	DRAWING NO.	
SCALE		SHEET 2 OF 7	

REVISIONS				
ZONE	LTR	DESCRIPTION	DATE	APPR.



I2C ADDRESS:

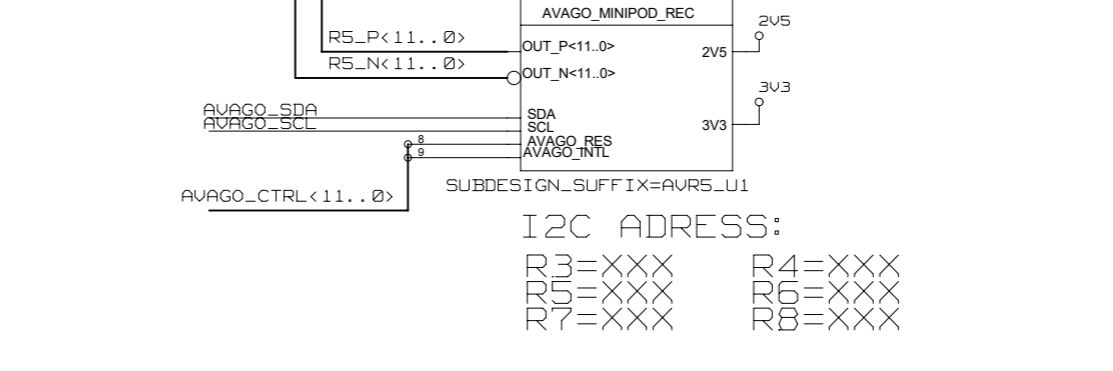
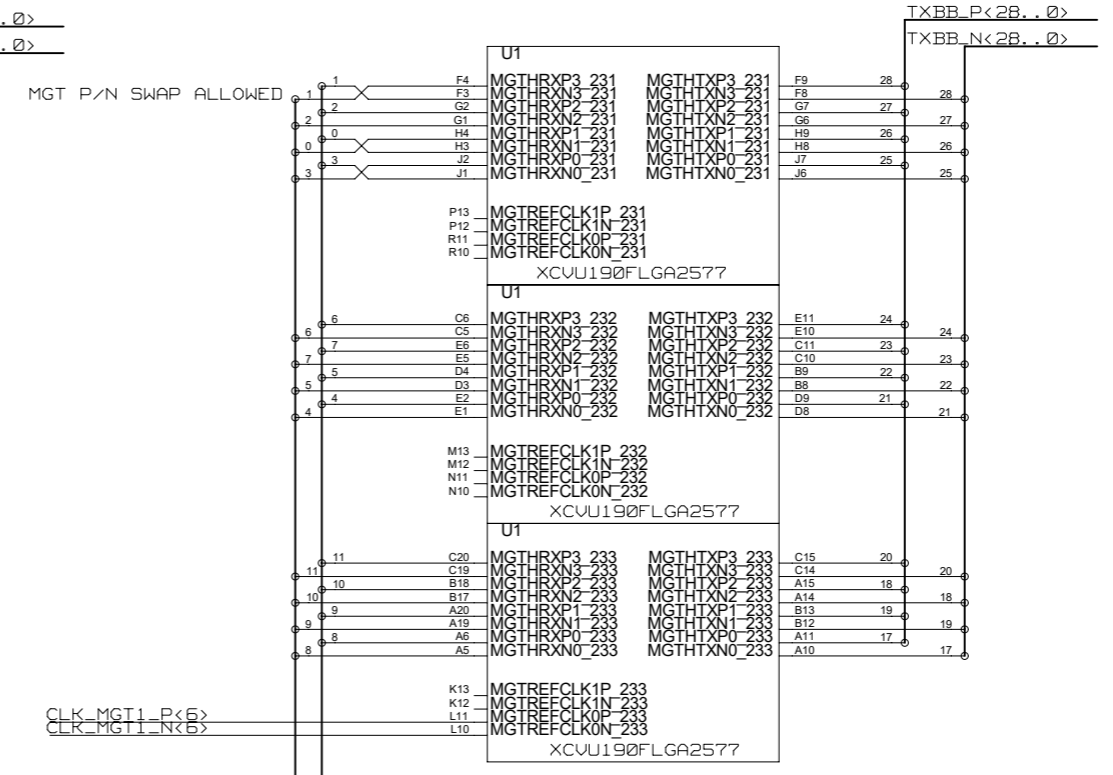
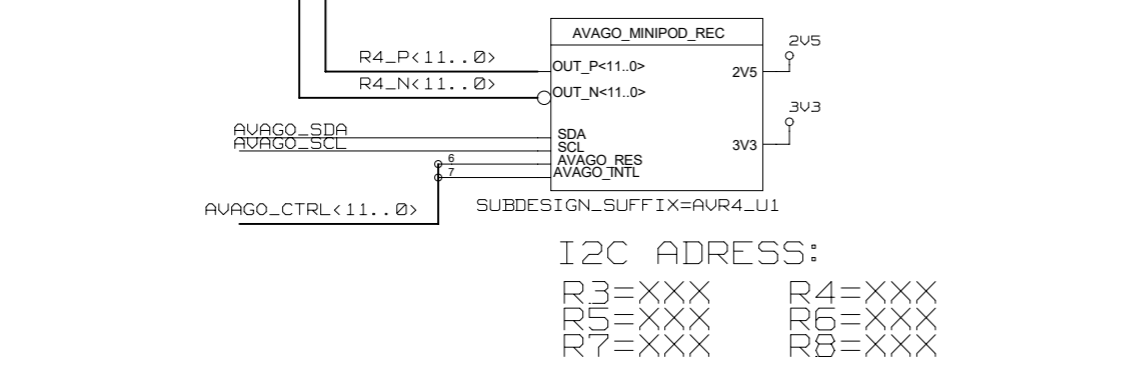
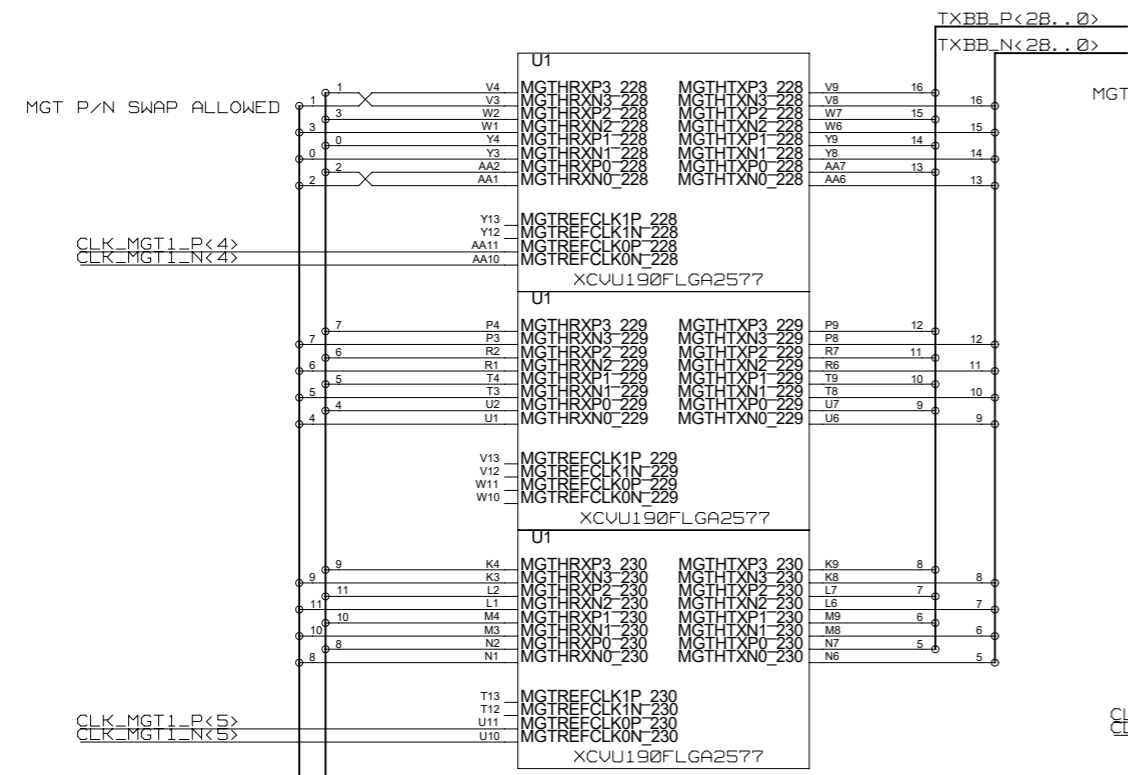
R3=XXX R4=XXX
R5=XXX R6=XXX
R7=XXX R8=XXX

BANK

225
226
227

CHECKED	NAME	DATE	SIGN	DRAWING TITLE AVAGO + TXA + TXB
CHECKED	J.V.DE SOUZA			
CHECKED	U.SCHAEFER			
CHECKED	S.RAVE			
DRAWN	BAUSS	07.08.2015		
BLOCK TITLE U1_MGT_REAL_TIME				
UNIVERSITY OF MAINZ		SIZE C	REV.	DRAWING NO.
SCALE				SHEET 3 OF 7

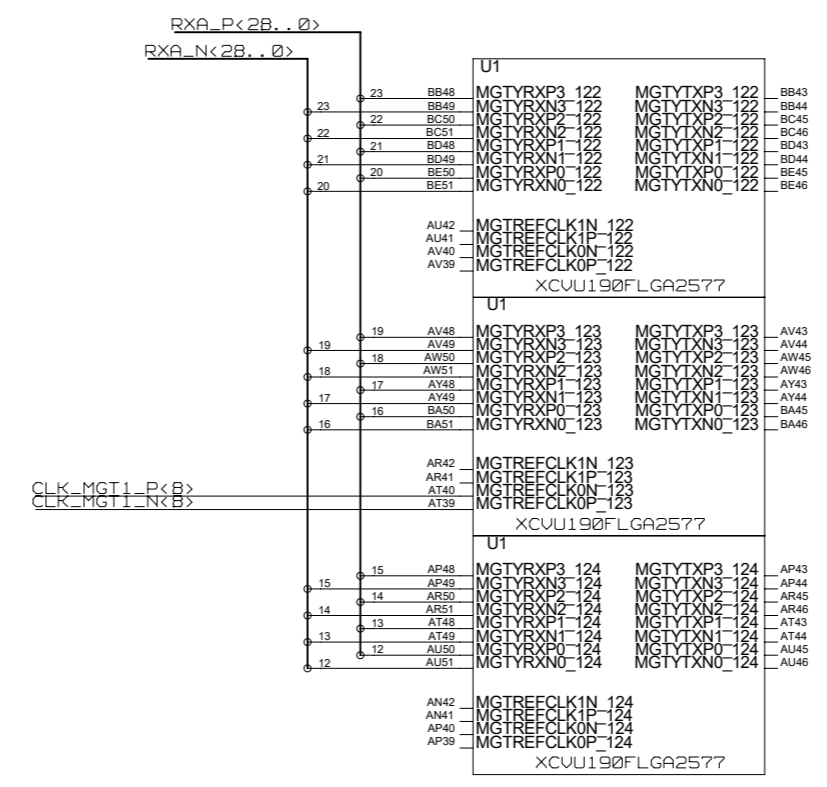
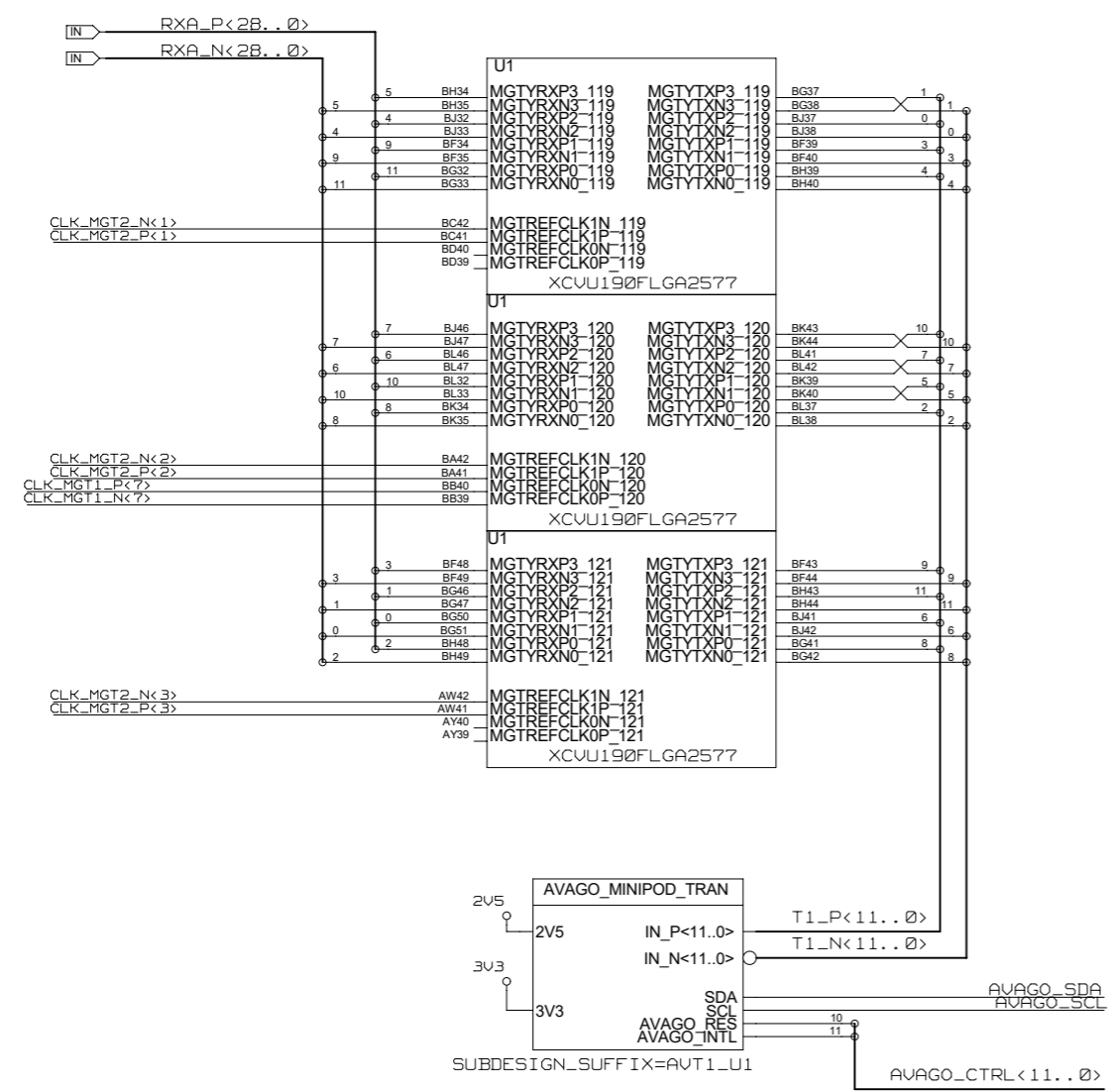
REVISIONS				
ZONE	LTR	DESCRIPTION	DATE	APPR.



BANK
 R3
 R4
 R5
 R6
 R7
 R8

NAME	DATE	SIGN	DRAWING TITLE
CHECKED J. V. DE SOUZA			AVAGO + TXB
CHECKED U. SCHAEFER			
CHECKED S. RAVE			
DRAWN BAUSS	07.08.2015		
BLOCK TITLE			DRAWING NO.
U1_MGT_REAL_TIME			SCALE
UNIVERSITY OF MAINZ			SHEET 4 OF 7

REVISIONS				
ZONE	LTR	DESCRIPTION	DATE	APPR.

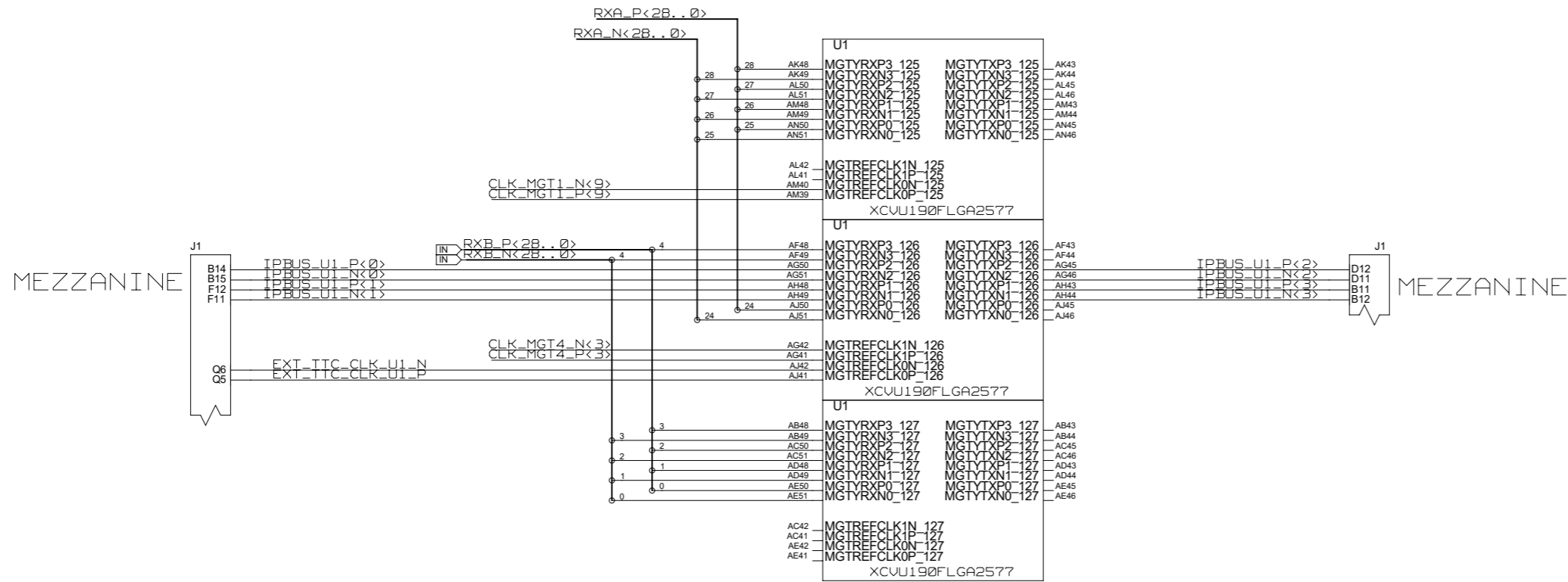


I2C ADDRESS:
R3=XXX R4=XXX
R5=XXX R6=XXX
R7=XXX R8=XXX

BANK
110
120
130
140
150
160
170
180
190

CHECKED	J.V.DE SOUZA			DRAWING TITLE AVAGO + RXA
CHECKED	U.SCHAEFER			
CHECKED	S.RAVE			
DRAWN	BAUSS	07.08.2015		
BLOCK TITLE U1_MGT_REAL_TIME				
UNIVERSITY OF MAINZ				
SIZE	REV.	DRAWING NO.		
SCALE				SHEET 5 OF 7

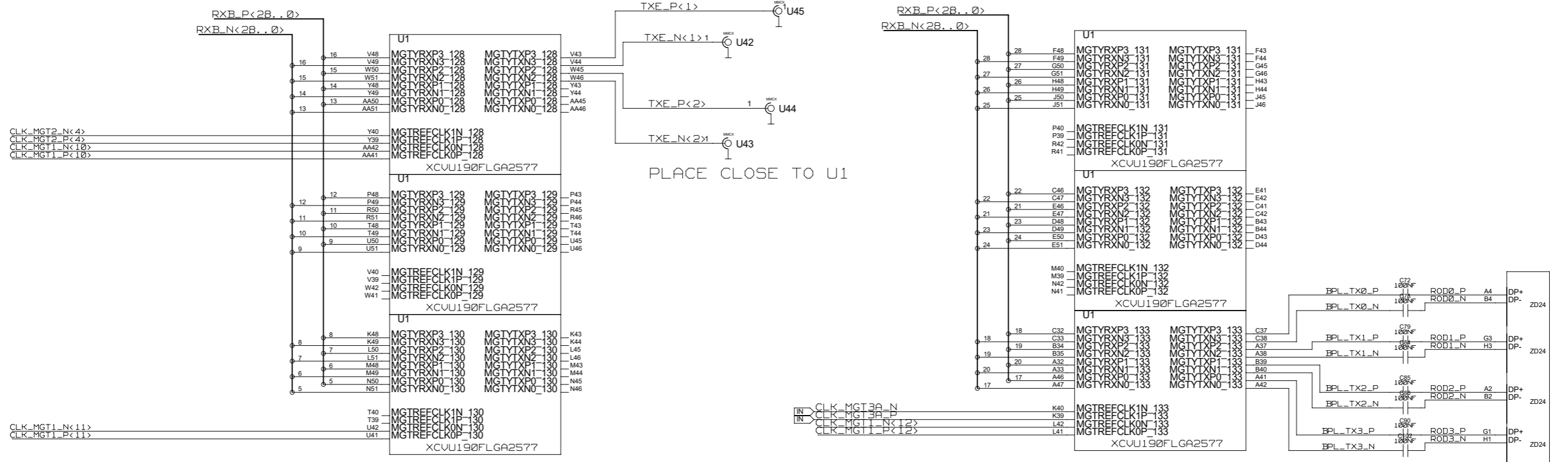
REVISIONS				
ZONE	LTR	DESCRIPTION	DATE	APPR.



BANK
125
126
127

CHECKED	J. V. DE SOUZA			DRAWING TITLE RXA + RXB TXD + IPBUS
CHECKED	U. SCHAEFER			
CHECKED	S. RAVE			
DRAWN	BAUSS	07.08.2015		
BLOCK TITLE U1_MGT_REAL_TIME				
UNIVERSITY OF MAINZ				SIZE C
				REV.
				DRAWING NO.
				SCALE
				SHEET 6 OF 7

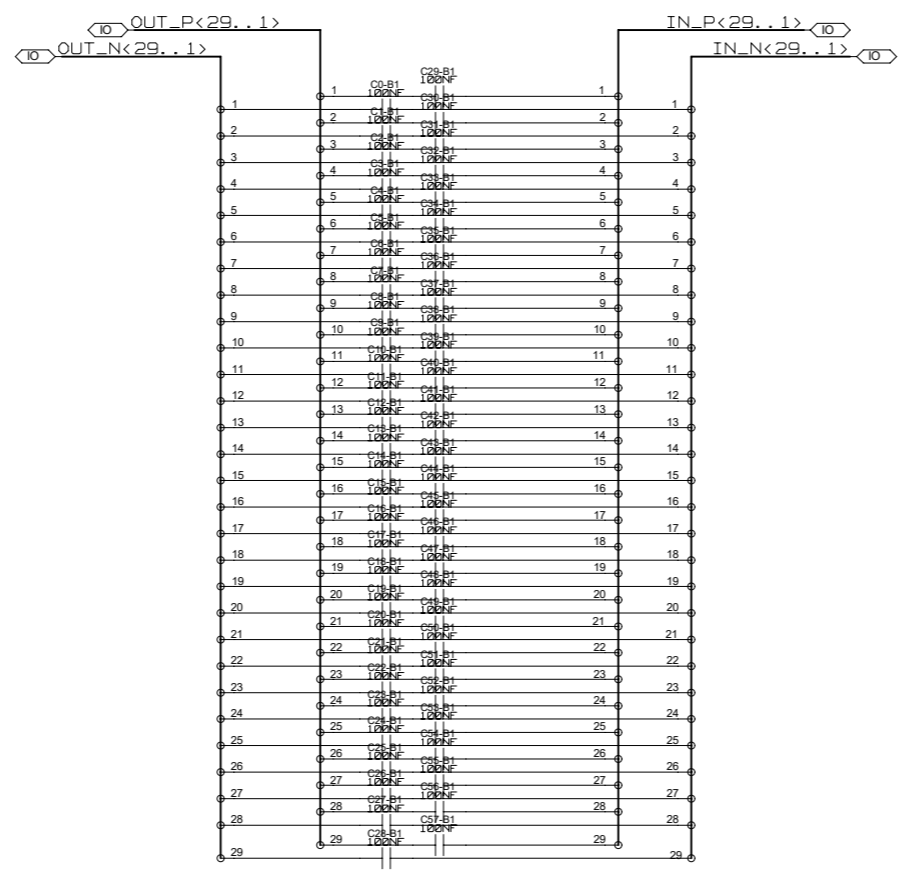
REVISIONS				
ZONE	LTR	DESCRIPTION	DATE	APPR.



BANK
128
129
130
131
132
133
134
135
136
137
138

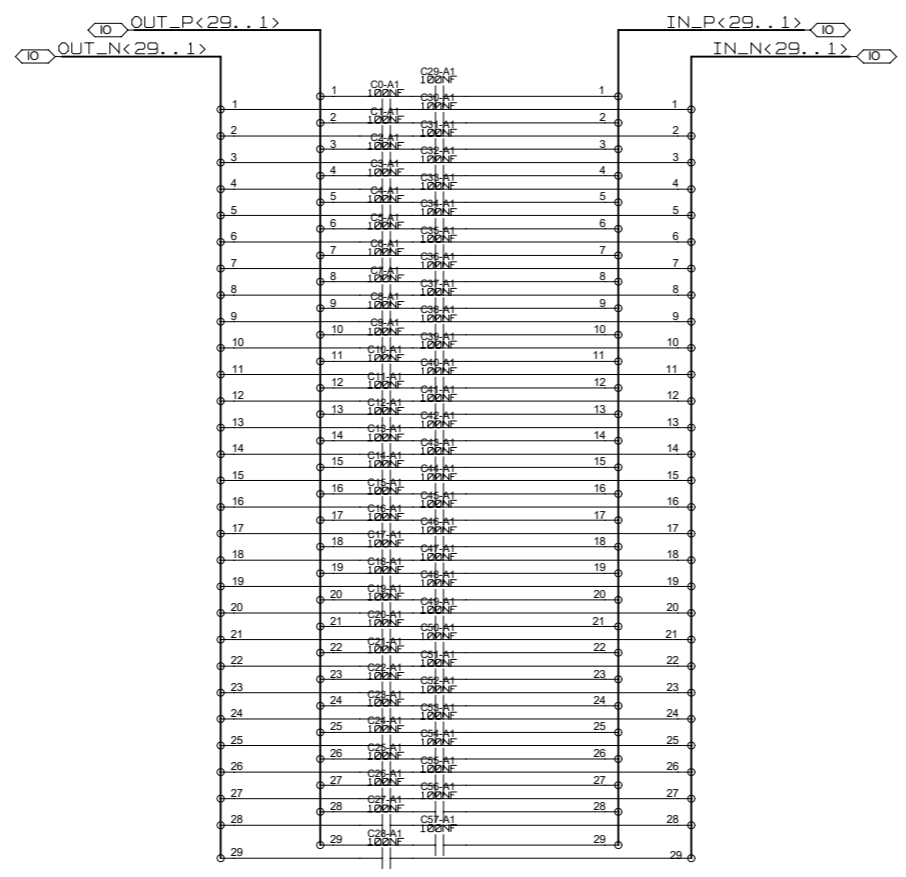
NAME	DATE	SIGN	DRAWING TITLE
CHECKED J. V. DE SOUZA			RXB + TXC
CHECKED U. SCHAEFER			
CHECKED S. RAVE			
DRAWN BAUSS	07.08.2015		
BLOCK TITLE			
U1_MGT_REAL_TIME			
UNIVERSITY OF MAINZ		SIZE C	REV.
		SCALE	DRAWING NO.
			SHEET 7 OF 7

REVISIONS				
ZONE	LTR	DESCRIPTION	DATE	APPR.



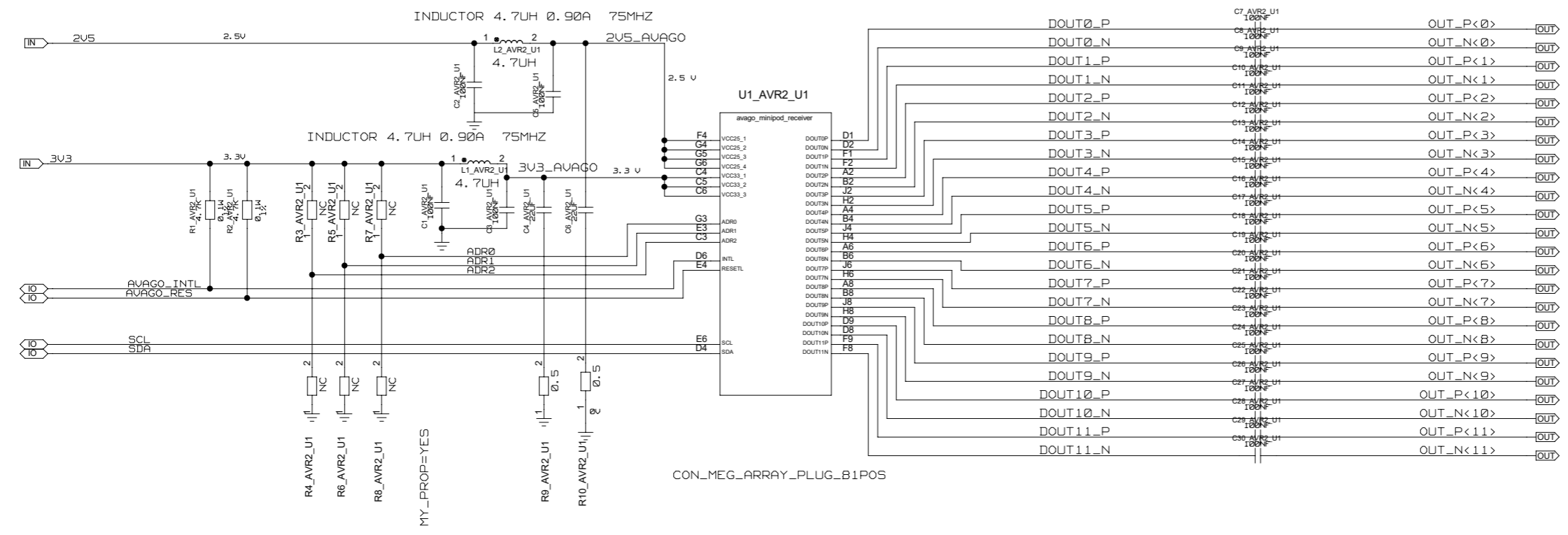
CHECKED	J. V. DE SOUZA			DRAWING TITLE AC COUPLING 29BIT
CHECKED	U. SCHAEFER			
CHECKED	S. RAVE			
DRAWN	BAUSS			
BLOCK TITLE				
UNIVERSITY OF MAINZ			SIZE C	DRAWING NO.
			SCALE	SHEET OF

REVISIONS				
ZONE	LTR	DESCRIPTION	DATE	APPR.



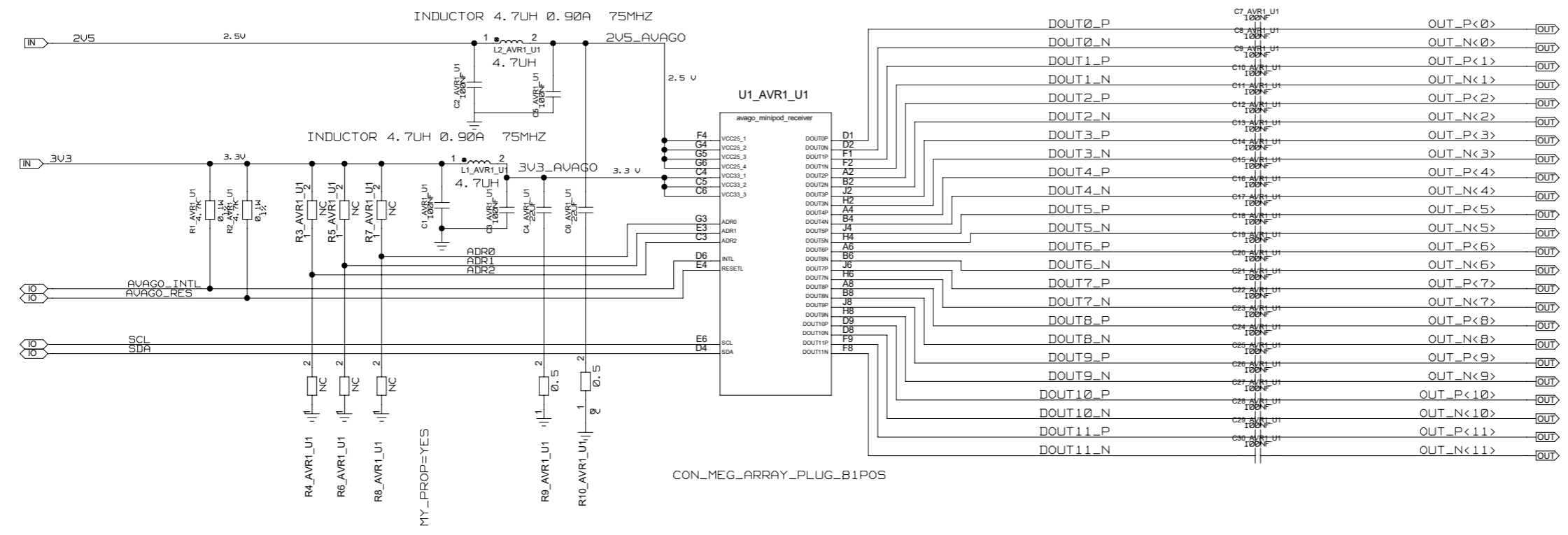
CHECKED	NAME	DATE	SIGN	DRAWING TITLE	
CHECKED	J. V. DE SOUZA			AC COUPLING 29BIT	
CHECKED	U. SCHAEFER				
CHECKED	S. RAVE				
DRAWN	BAUSS				
BLOCK TITLE				SIZE	DRAWING NO.
UNIVERSITY OF MAINZ				C	REV.
				SCALE	SHEET OF

REVISIONS				
ZONE	LTR	DESCRIPTION	DATE	APPR.



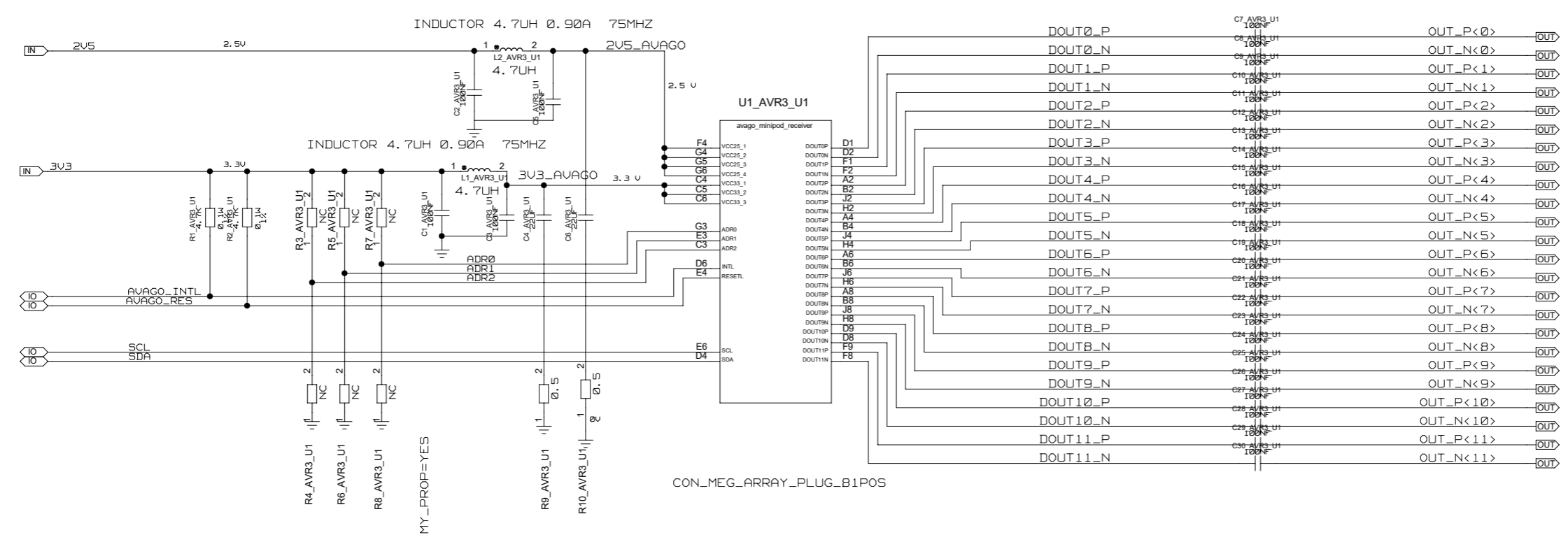
	NAME	DATE	SIGN	DRAWING TITLE AVAGO RECEIVER		
CHECKED	J. V. DE SOUZA					
CHECKED	U. SCHAEFER					
CHECKED	S. RAVE					
DRAWN	BAUSS					
BLOCK TITLE						
UNIVERSITY OF MAINZ				SIZE	REV.	DRAWING NO.
				SCALE		
						SHEET OF

REVISIONS				
ZONE	LTR	DESCRIPTION	DATE	APPR.



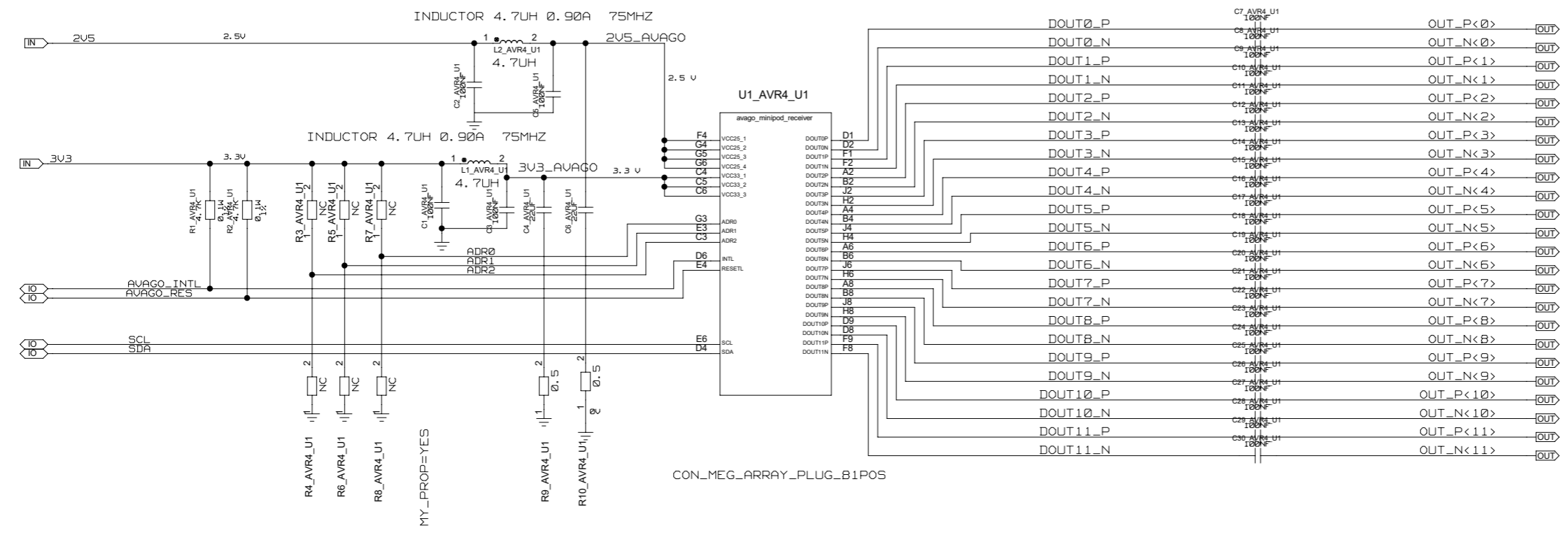
CHECKED	NAME	DATE	SIGN	DRAWING TITLE AVAGO RECEIVER		
CHECKED	J. V. DE SOUZA					
CHECKED	U. SCHAEFER					
CHECKED	S. RAVE					
DRAWN	BAUSS					
BLOCK TITLE				SIZE	REV.	DRAWING NO.
UNIVERSITY OF MAINZ				C		
				SCALE		SHEET OF

REVISIONS				
ZONE	LTR	DESCRIPTION	DATE	APPR.



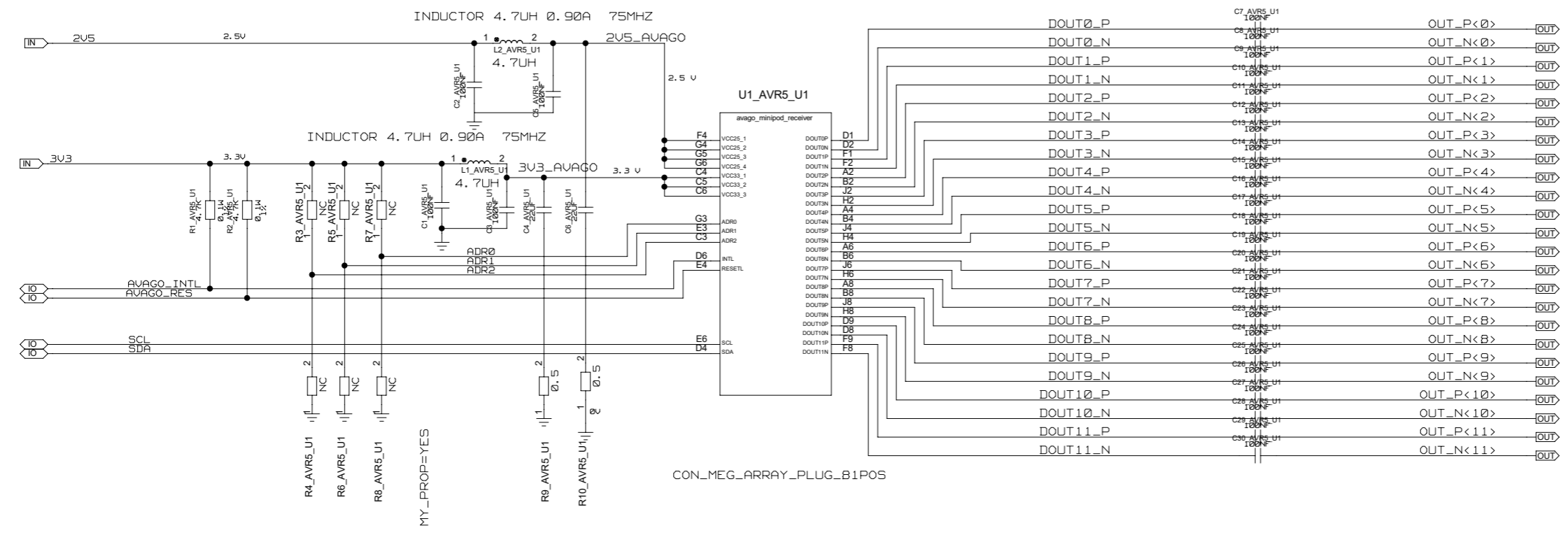
	NAME	DATE	SIGN	DRAWING TITLE	
CHECKED	J. V. DE SOUZA			AVAGO RECEIVER	
CHECKED	U. SCHAEFER				
CHECKED	S. RAVE				
DRAWN	BAUSS				
BLOCK TITLE				SIZE	DRAWING NO.
UNIVERSITY OF MAINZ				C	REV.
SCALE					SHEET OF

REVISIONS				
ZONE	LTR	DESCRIPTION	DATE	APPR.



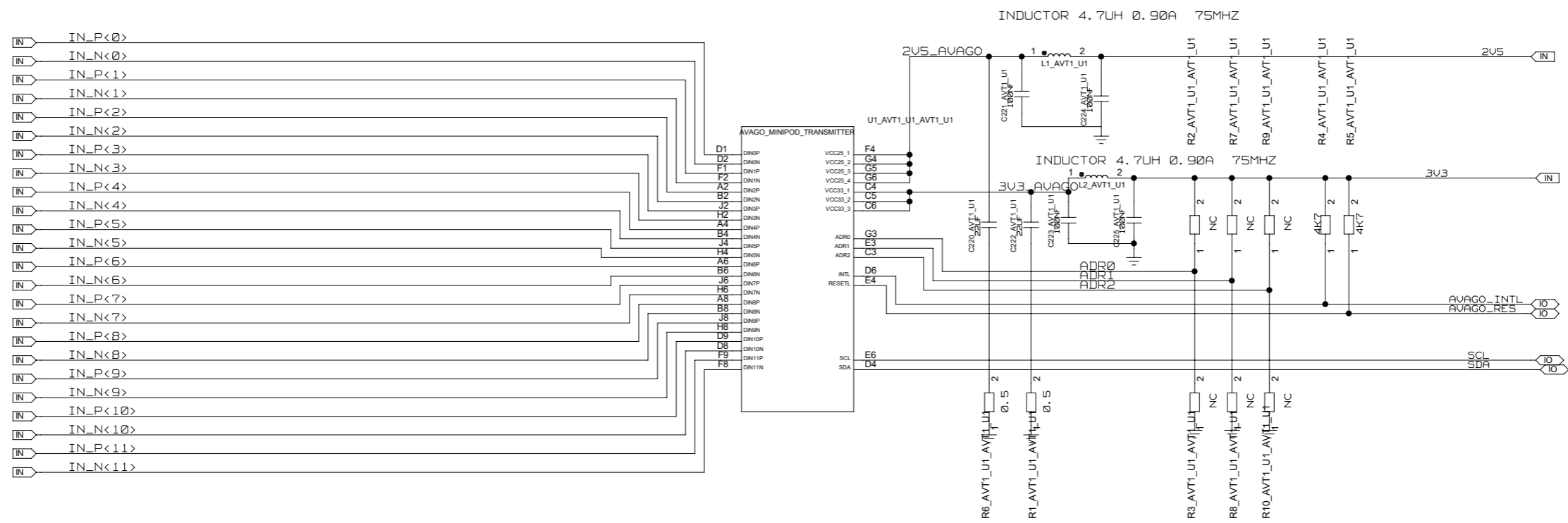
	NAME	DATE	SIGN	DRAWING TITLE AVAGO RECEIVER	
CHECKED	J. V. DE SOUZA				
CHECKED	U. SCHAEFER				
CHECKED	S. RAVE				
DRAWN	BAUSS				
BLOCK TITLE					
UNIVERSITY OF MAINZ				SIZE C	REV.
				DRAWING NO.	
SCALE				SHEET	OF

REVISIONS				
ZONE	LTR	DESCRIPTION	DATE	APPR.



	NAME	DATE	SIGN	DRAWING TITLE	
CHECKED	J. V. DE SOUZA			AVAGO RECEIVER	
CHECKED	U. SCHAEFER				
CHECKED	S. RAVE				
DRAWN	BAUSS				
BLOCK TITLE				SIZE	DRAWING NO.
UNIVERSITY OF MAINZ				C	REV.
SCALE					SHEET OF

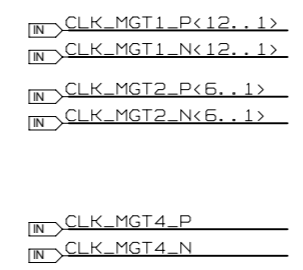
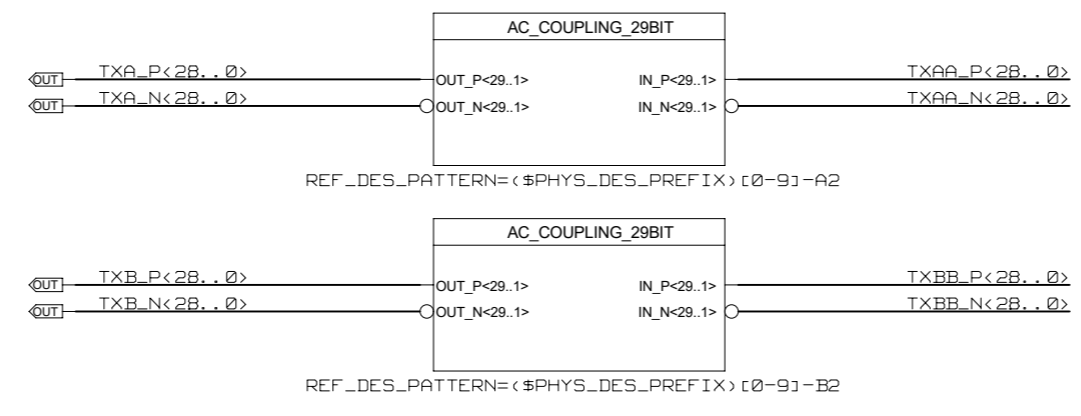
REVISIONS				
ZONE	LTR	DESCRIPTION	DATE	APPR.



NAME	DATE	SIGN	DRAWING TITLE	
CHECKED J. V. DE SOUZA			AVAGO TRANSMITTER	
CHECKED U. SCHAEFER				
CHECKED S. RAVE				
DRAWN BAUSS				
BLOCK TITLE			SIZE	REV.
UNIVERSITY OF MAINZ			C	
			SCALE	DRAWING NO.
				SHEET OF

REVISIONS				
ZONE	LTR	DESCRIPTION	DATE	APPR.

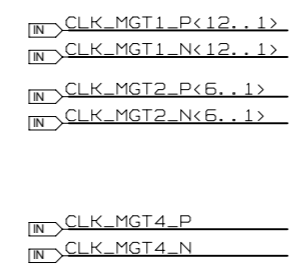
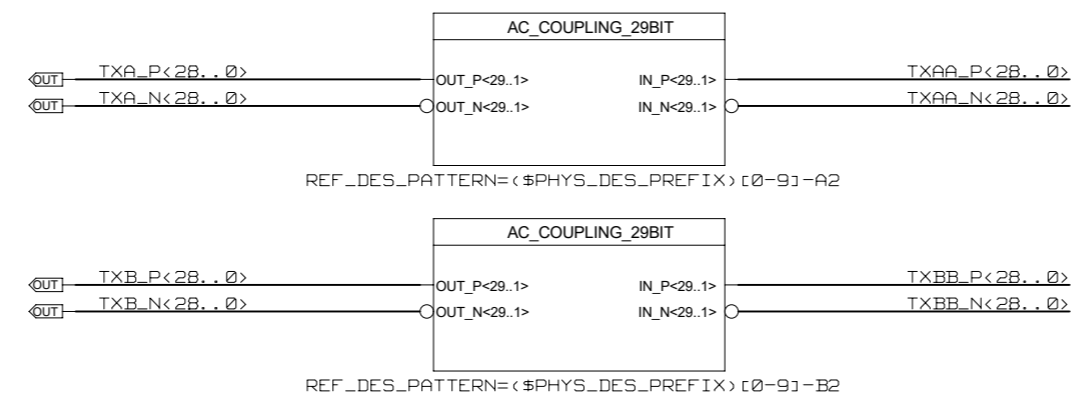
AC COUPLING



CHECKED	J.V.DE SOUZA			DRAWING TITLE I/O + AC COUPLING
CHECKED	U.SCHAEFER			
CHECKED	S.RAVE			
DRAWN	BAUSS	07.08.2015		
BLOCK TITLE U2_MGT_REAL_TIME				SIZE C
UNIVERSITY OF MAINZ				REV.
SCALE				DRAWING NO.
				SHEET 1 OF 7

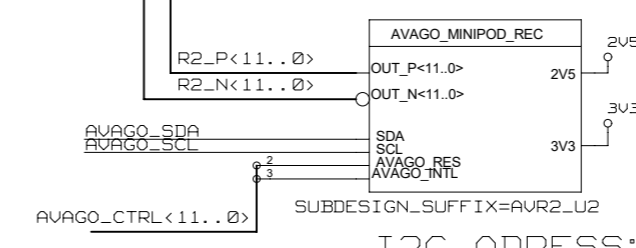
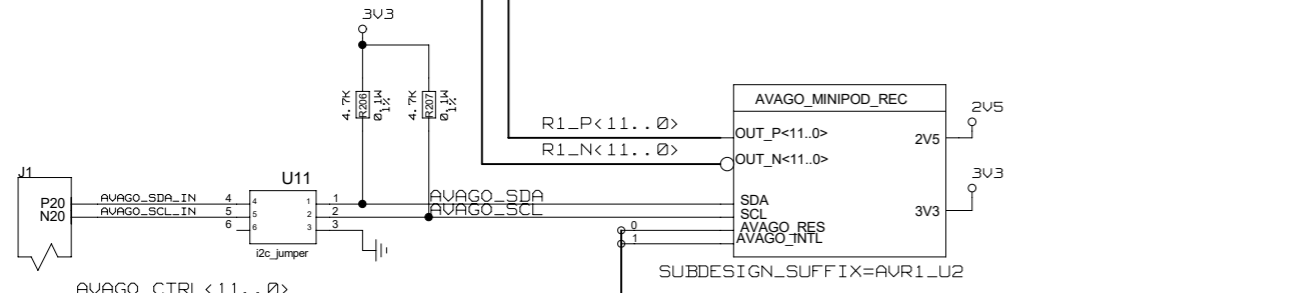
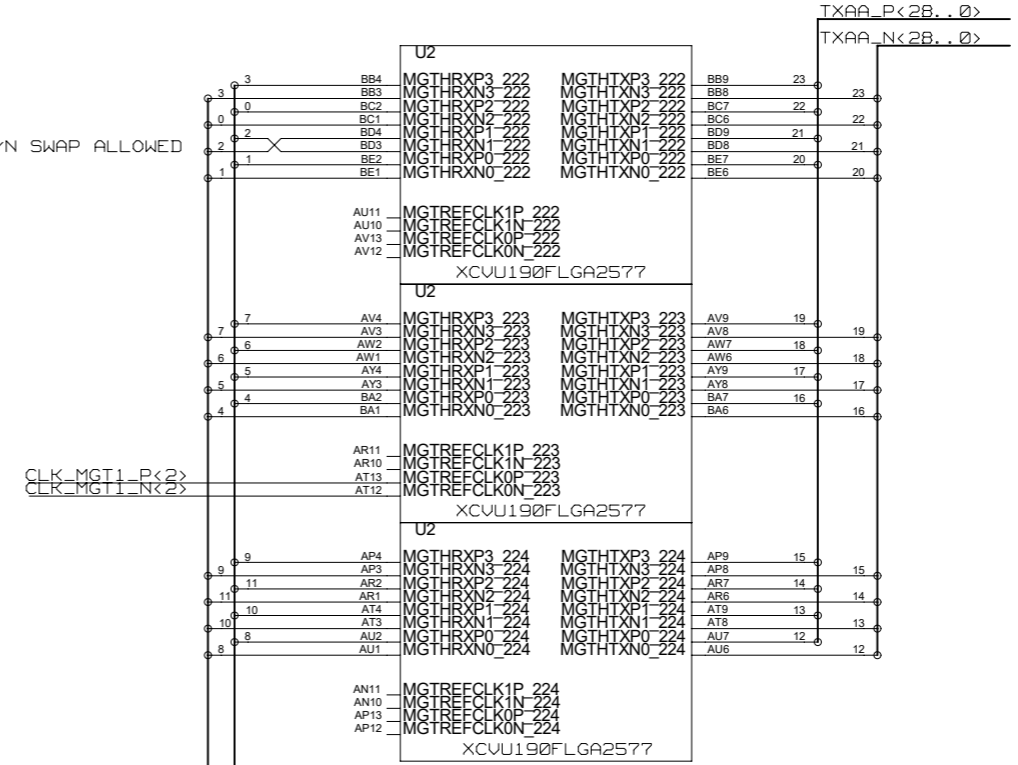
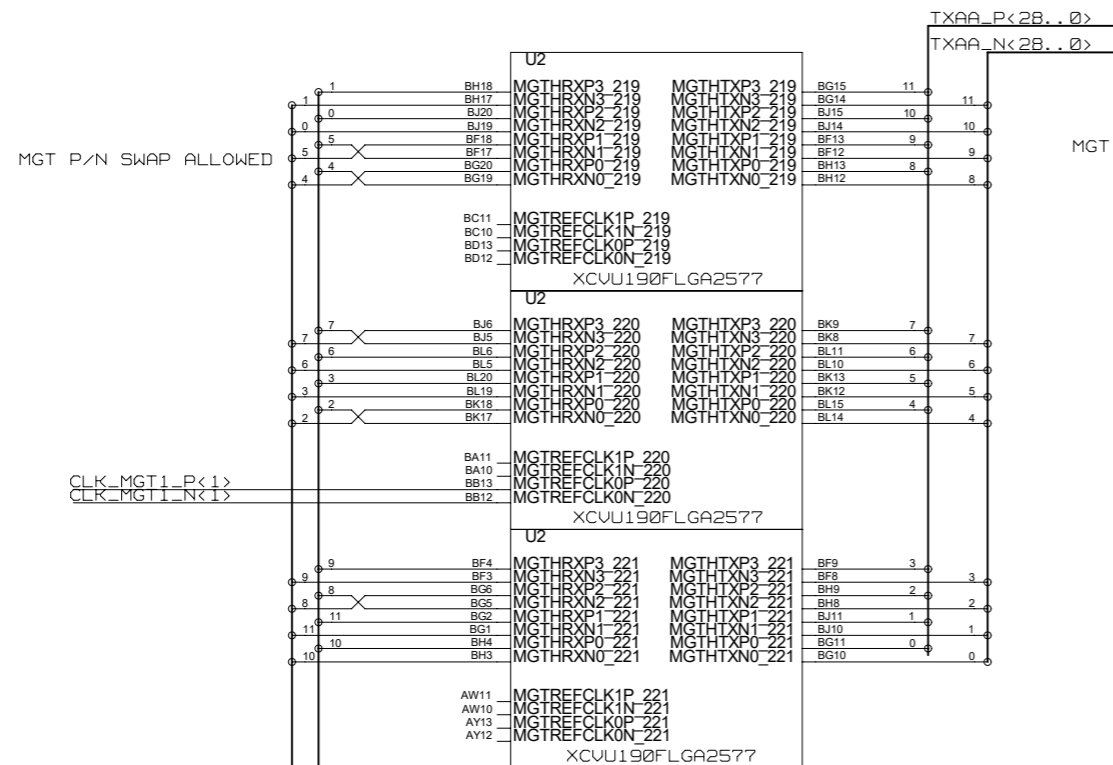
REVISIONS				
ZONE	LTR	DESCRIPTION	DATE	APPR.

AC COUPLING



CHECKED	J.V.DE SOUZA			DRAWING TITLE I/O + AC COUPLING
CHECKED	U.SCHAEFER			
CHECKED	S.RAVE			
DRAWN	BAUSS	07.08.2015		
BLOCK TITLE U2_MGT_REAL_TIME				SIZE C
UNIVERSITY OF MAINZ				REV.
SCALE				DRAWING NO.
SHEET 1 OF 7				

REVISIONS				
ZONE	LTR	DESCRIPTION	DATE	APPR.



AVAGO_CTRL<11..0>
 AVAGO_CTRL 0, 2, 4, 6, 8, 10 = AVAGO_RES_XX
 AVAGO_CTRL 1, 3, 5, 7, 9, 11 = AVAGO_INTL_XX

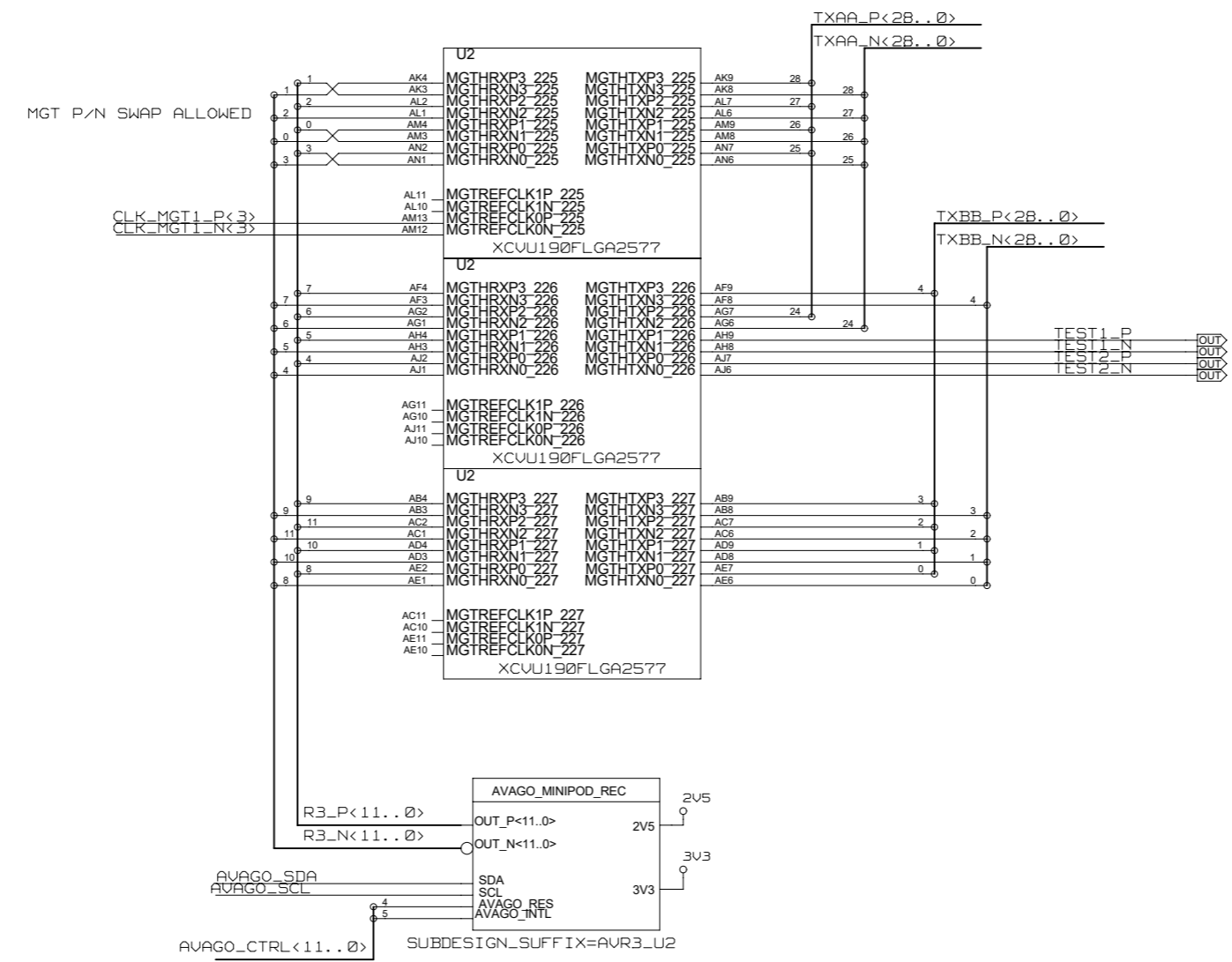
I2C ADDRESS:
 R3=XXX R4=XXX
 R5=XXX R6=XXX
 R7=XXX R8=XXX

I2C ADDRESS:
 R3=XXX R4=XXX
 R5=XXX R6=XXX
 R7=XXX R8=XXX

BANK
210
209
208
207
206
205
204
203
202
201
200

NAME	DATE	SIGN	DRAWING TITLE		
CHECKED J.V. DE SOUZA			AVAGO + TXA		
CHECKED U.SCHAEFER					
CHECKED S.RAVE					
DRAWN BAUSS	07.08.2015				
BLOCK TITLE			SIZE	REV.	DRAWING NO.
U2_MGT_REAL_TIME			C		
UNIVERSITY OF MAINZ			SCALE		SHEET 2 OF 7

REVISIONS				
ZONE	LTR	DESCRIPTION	DATE	APPR.



I2C ADDRESS:

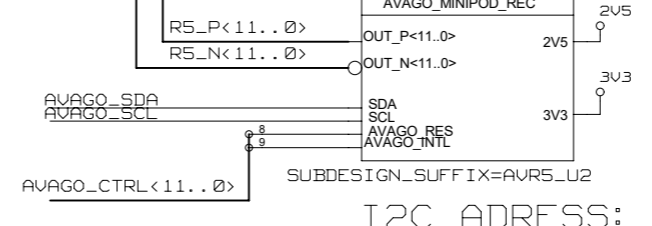
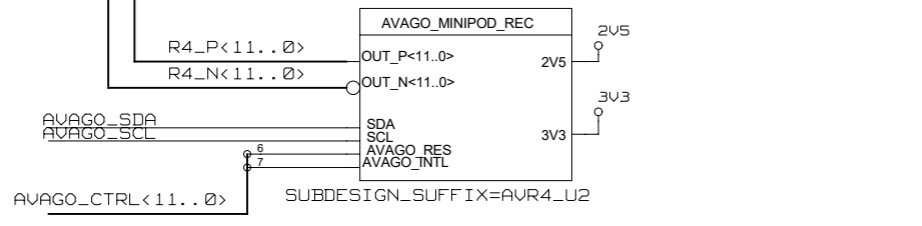
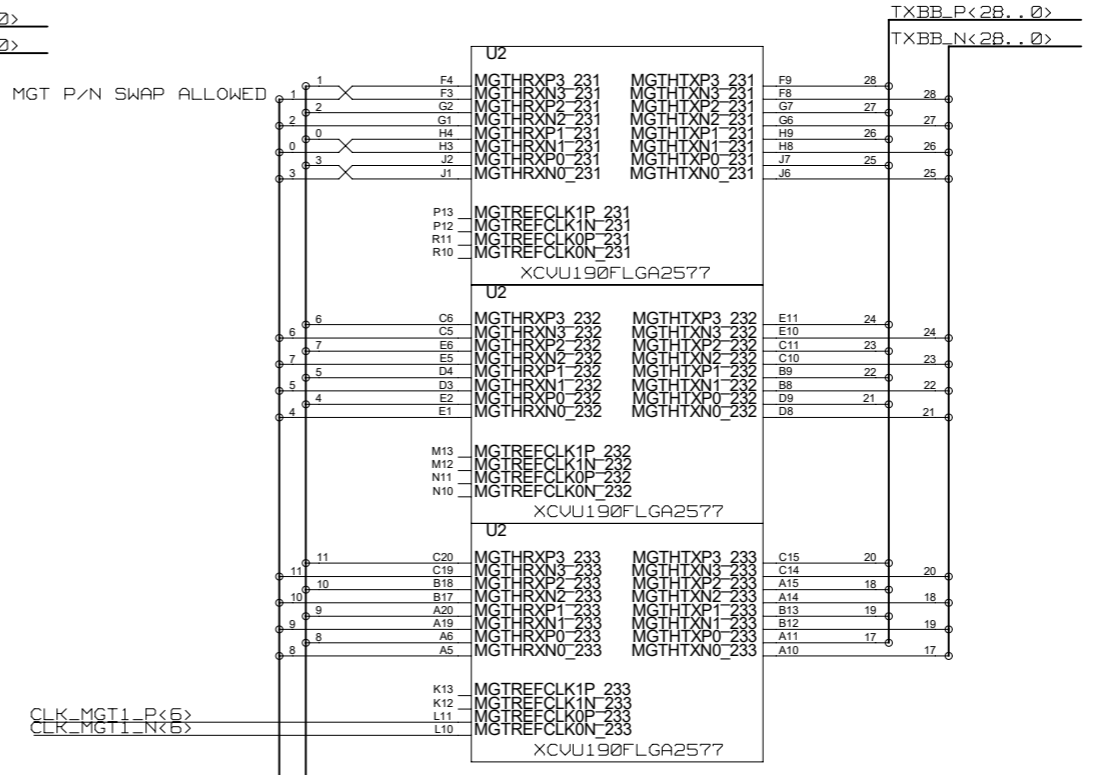
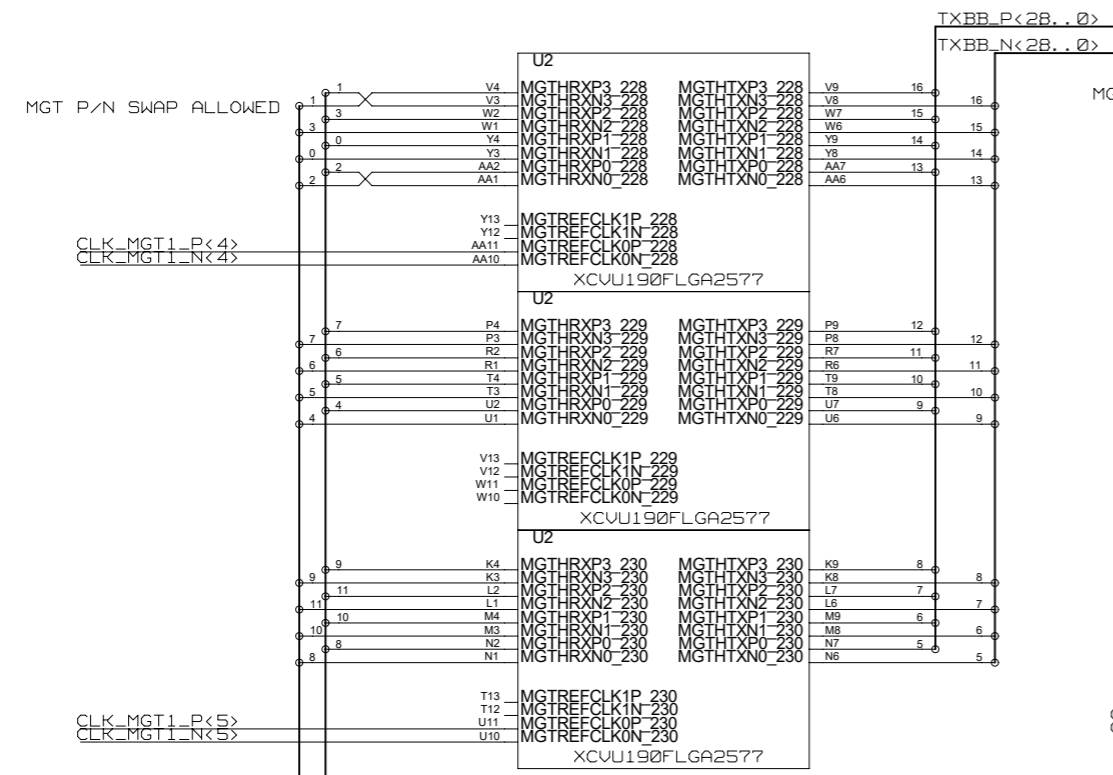
R3=XXX	R4=XXX
R5=XXX	R6=XXX
R7=XXX	R8=XXX

BANK

225
226
227

NAME	DATE	SIGN	DRAWING TITLE
CHECKED	J.V.DE SOUZA		AVAGO + TXA + TXB
CHECKED	U.SCHAEFER		
CHECKED	S.RAVE		
DRAWN	BAUSS	07.08.2015	
BLOCK TITLE			DRAWING NO.
U2_MGT_REAL_TIME			
UNIVERSITY OF MAINZ		SIZE C	REV.
SCALE		DRAWING NO.	
			SHEET 3 OF 7

REVISIONS				
ZONE	LTR	DESCRIPTION	DATE	APPR.



BANK

U2

U1

U3

U4

U5

U6

U7

U8

U9

U10

U11

U12

U13

U14

U15

U16

U17

U18

U19

U20

U21

U22

U23

U24

U25

U26

U27

U28

U29

U30

U31

U32

U33

U34

U35

U36

U37

U38

U39

U40

U41

U42

U43

U44

U45

U46

U47

U48

U49

U50

U51

U52

U53

U54

U55

U56

U57

U58

U59

U60

U61

U62

U63

U64

U65

U66

U67

U68

U69

U70

U71

U72

U73

U74

U75

U76

U77

U78

U79

U80

U81

U82

U83

U84

U85

U86

U87

U88

U89

U90

U91

U92

U93

U94

U95

U96

U97

U98

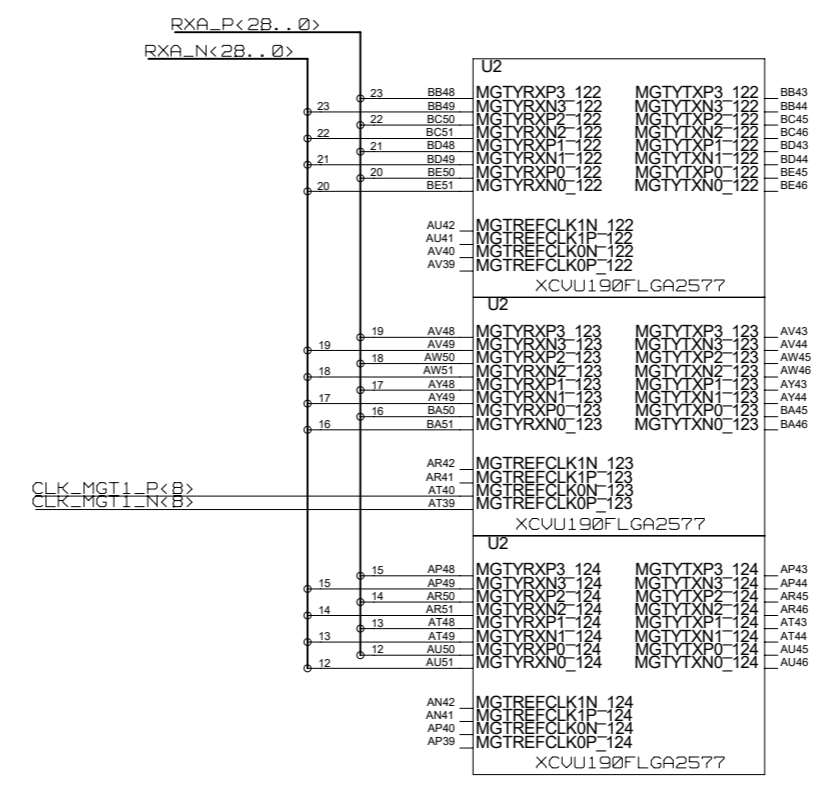
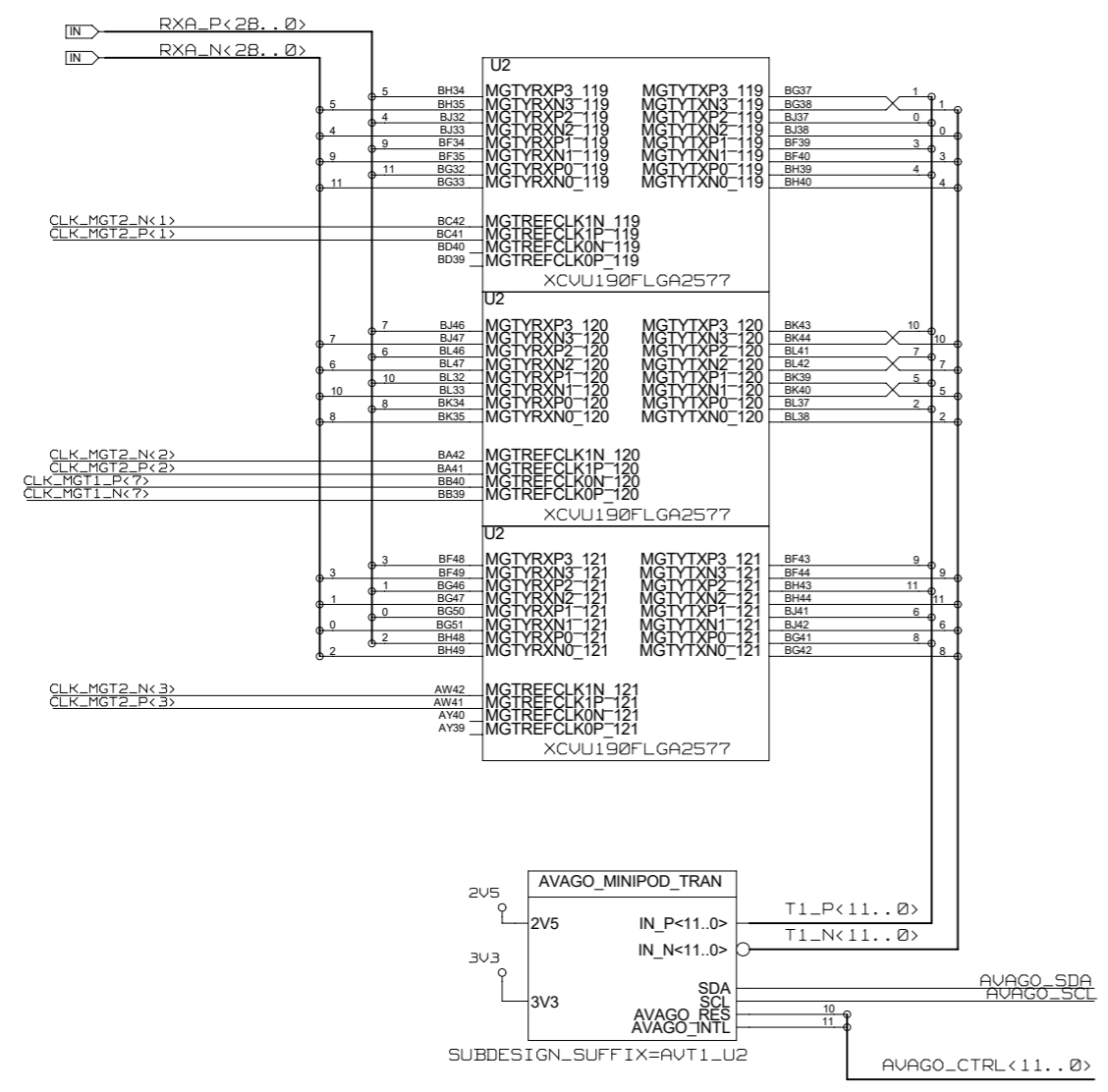
U99

U100

	NAME	DATE	SIGN	DRAWING TITLE
CHECKED	J.V. DE SOUZA			
CHECKED	U.SCHAEFER			
CHECKED	S.RAVE			
DRAWN	BAUSS	07.08.2015		
BLOCK TITLE				DRAWING NO.
U2_MGT_REAL_TIME				
UNIVERSITY OF MAINZ				SCALE
				SHEET 4 OF 7

AVAGO +
TXB

REVISIONS				
ZONE	LTR	DESCRIPTION	DATE	APPR.

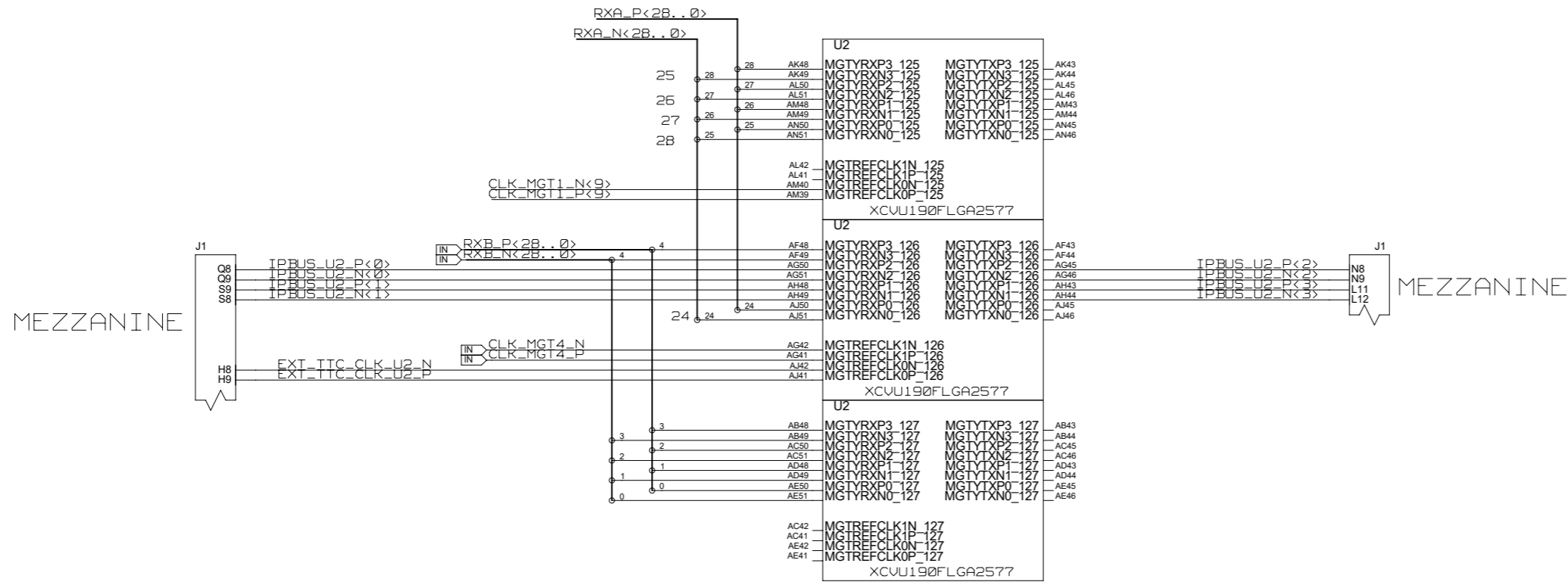


I2C ADDRESS:
R3=XXX R4=XXX
R5=XXX R6=XXX
R7=XXX R8=XXX

BANK
110
120
130
140
150
160
170
180
190

NAME	DATE	SIGN	DRAWING TITLE		
CHECKED	J.V.DE SOUZA		AVAGO + RXA		
CHECKED	U.SCHAEFER				
CHECKED	S.RAVE				
DRAWN	BAUSS	07.08.2015			
BLOCK TITLE			SIZE	REV.	DRAWING NO.
U2_MGT_REAL_TIME			C		
UNIVERSITY OF MAINZ			SCALE		SHEET 5 OF 7

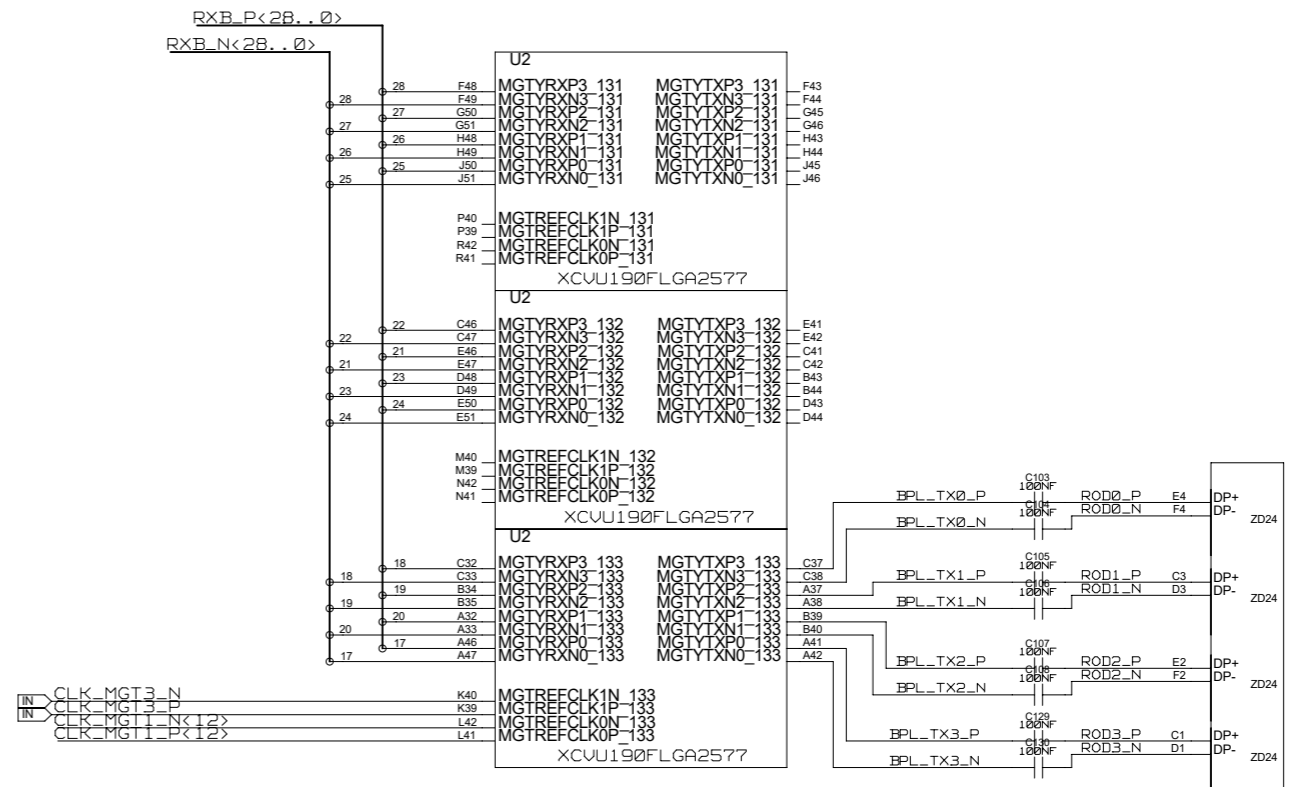
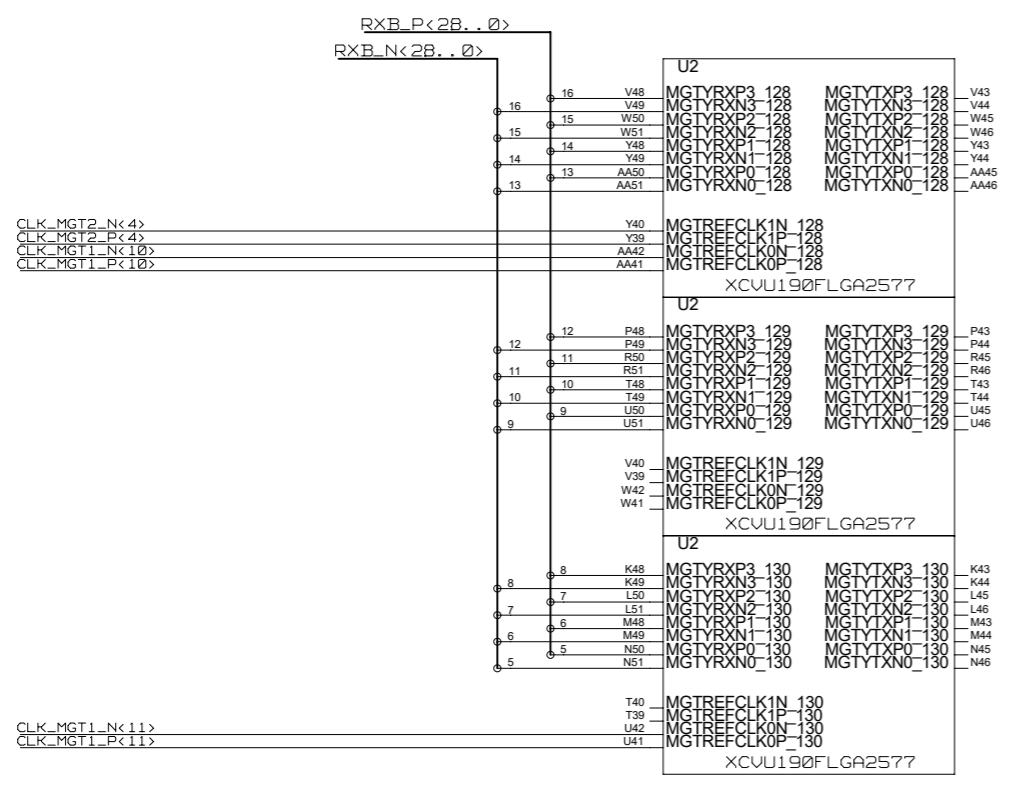
REVISIONS				
ZONE	LTR	DESCRIPTION	DATE	APPR.



BANK
125
126
127

CHECKED	J. V. DE SOUZA			DRAWING TITLE RXA + RXB TXD + IPBUS
CHECKED	U. SCHAEFER			
CHECKED	S. RAVE			
DRAWN	BAUSS	07.08.2015		
BLOCK TITLE U2_MGT_REAL_TIME				
UNIVERSITY OF MAINZ				SIZE C
				REV.
				DRAWING NO.
				SCALE
				SHEET 6 OF 7

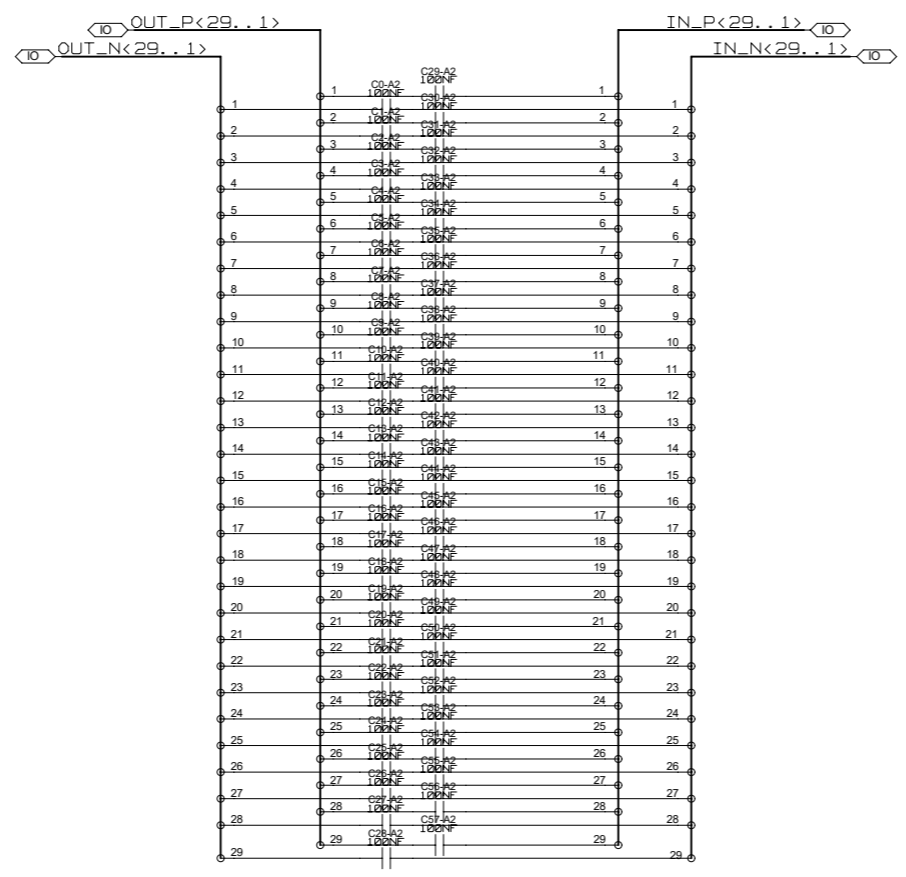
REVISIONS				
ZONE	LTR	DESCRIPTION	DATE	APPR.



BANK
128
129
130
131
132
133
134
135
136
137
138

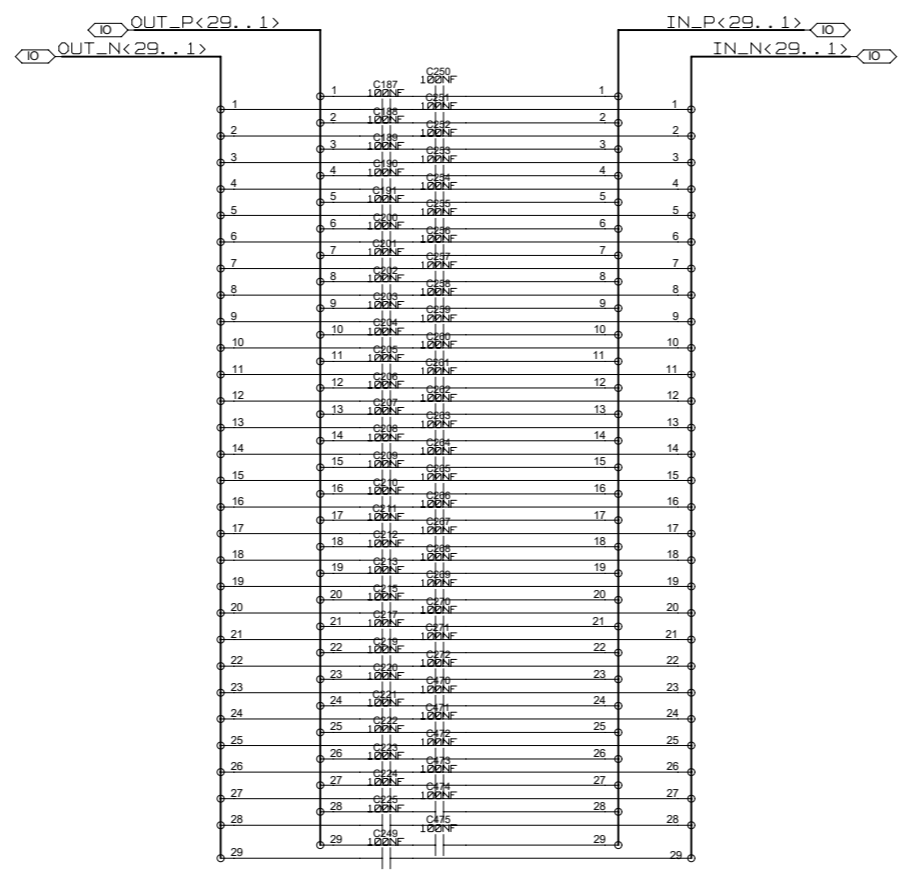
NAME	DATE	SIGN	DRAWING TITLE
CHECKED J. V. DE SOUZA			RXB + TXC
CHECKED U. SCHAEFER			
CHECKED S. RAVE			
DRAWN BAUSS	07.08.2015		
BLOCK TITLE			
U2_MGT_REAL_TIME			
UNIVERSITY OF MAINZ		SIZE C	DRAWING NO.
SCALE		REV.	SHEET 7 OF 7

REVISIONS				
ZONE	LTR	DESCRIPTION	DATE	APPR.



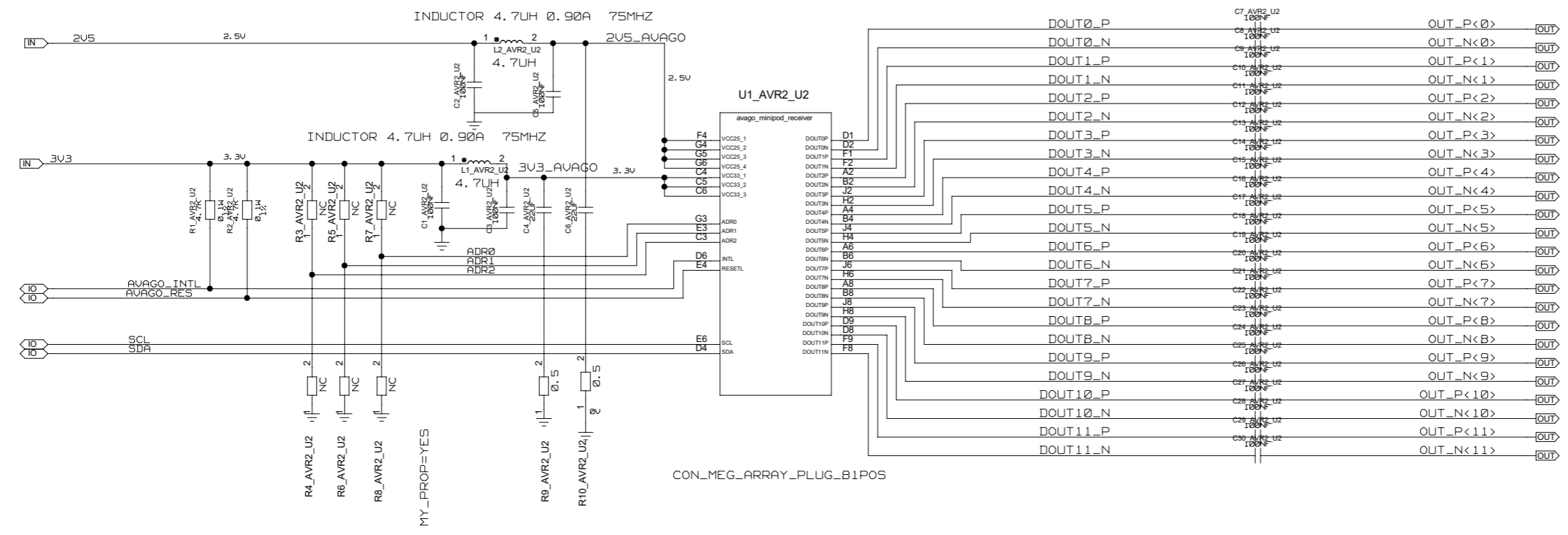
CHECKED	NAME	DATE	SIGN	DRAWING TITLE	
CHECKED	J.V.DE SOUZA			AC COUPLING 29BIT	
CHECKED	U.SCHAEFER				
CHECKED	S.RAVE				
DRAWN	BAUSS				
BLOCK TITLE				SIZE	DRAWING NO.
UNIVERSITY OF MAINZ				C	REV.
				SCALE	SHEET OF

REVISIONS				
ZONE	LTR	DESCRIPTION	DATE	APPR.



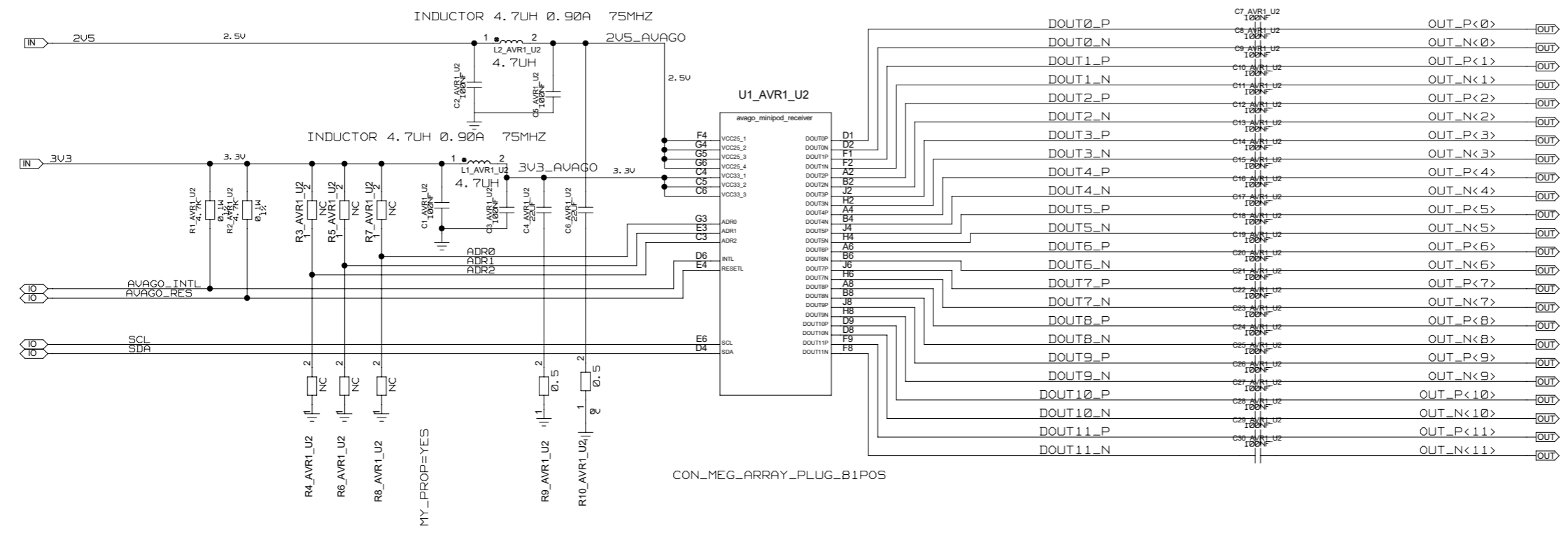
CHECKED	J. V. DE SOUZA			DRAWING TITLE AC COUPLING 29BIT	
CHECKED	U.SCHAEFER				
CHECKED	S.RAVE				
DRAWN	BAUSS				
BLOCK TITLE					
UNIVERSITY OF MAINZ				SIZE C	REV.
				SCALE	DRAWING NO.
			SHEET	OF	

REVISIONS				
ZONE	LTR	DESCRIPTION	DATE	APPR.



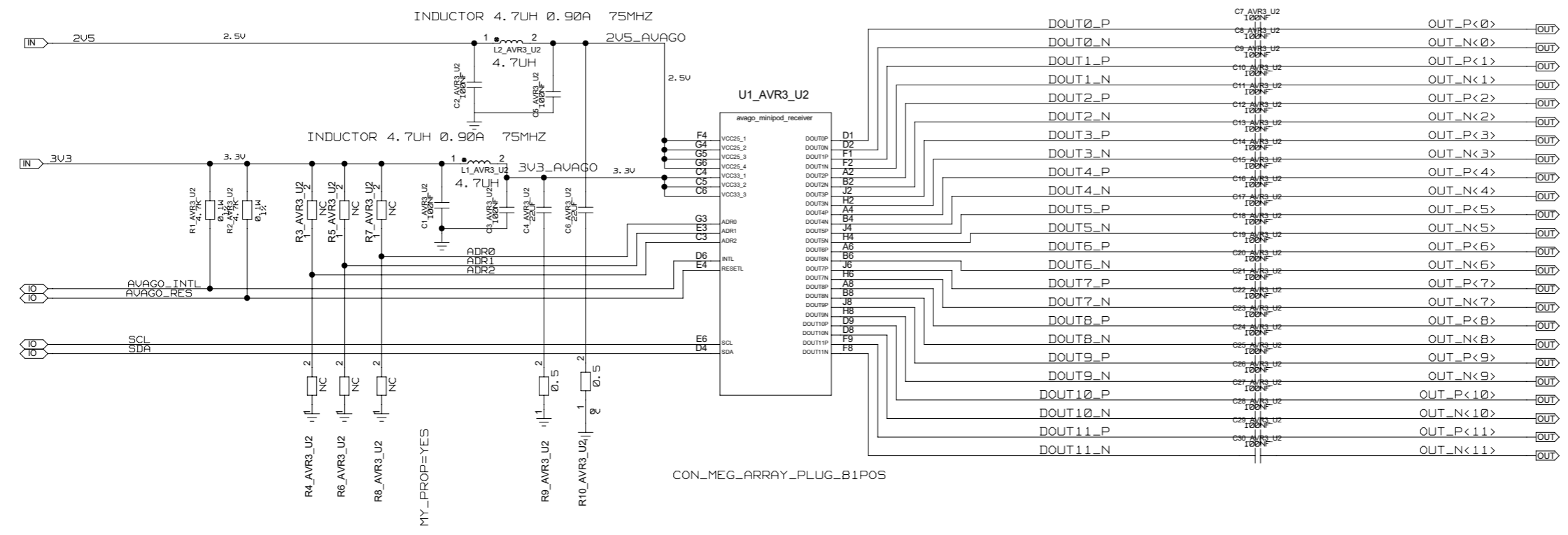
NAME	DATE	SIGN	DRAWING TITLE	
CHECKED J. V. DE SOUZA			AVAGO RECEIVER	
CHECKED U. SCHAEFER				
CHECKED S. RAVE				
DRAWN BAUSS				
BLOCK TITLE			SIZE	DRAWING NO.
UNIVERSITY OF MAINZ			SCALE	SHEET OF

REVISIONS				
ZONE	LTR	DESCRIPTION	DATE	APPR.



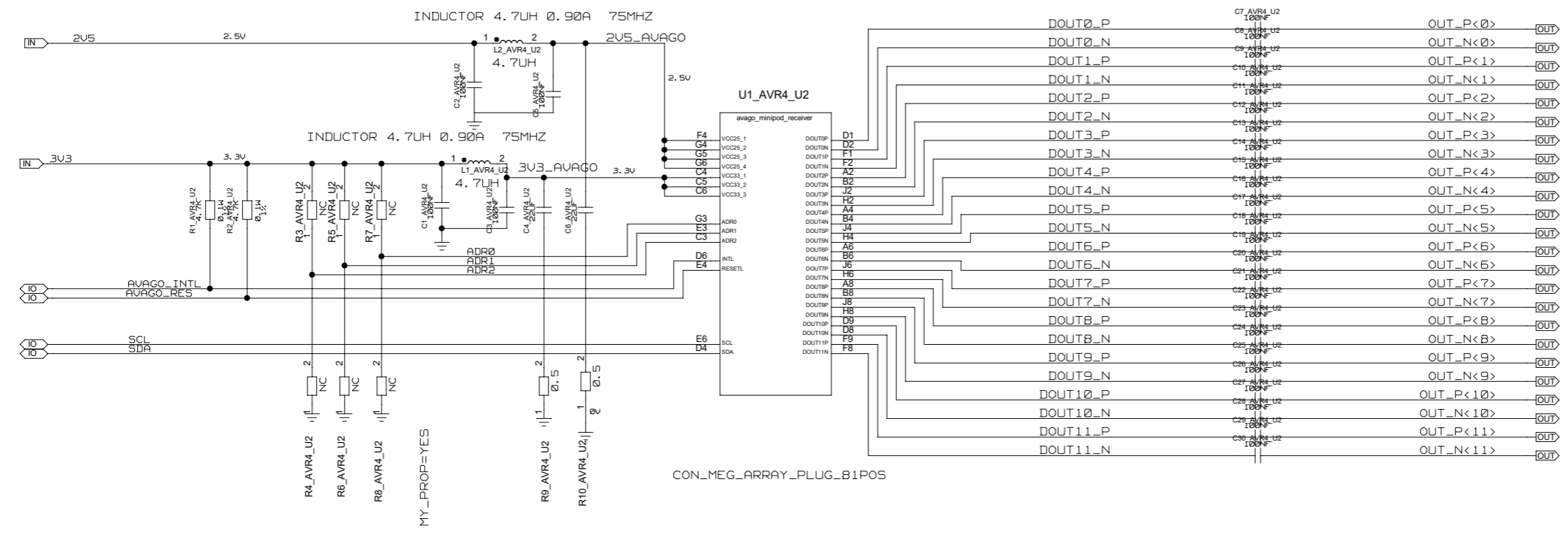
CHECKED	J. V. DE SOUZA			DRAWING TITLE AVAGO RECEIVER
CHECKED	U. SCHAEFER			
CHECKED	S. RAVE			
DRAWN	BAUSS			
BLOCK TITLE				
UNIVERSITY OF MAINZ		SIZE C	REV.	DRAWING NO.
SCALE				SHEET OF

REVISIONS				
ZONE	LTR	DESCRIPTION	DATE	APPR.



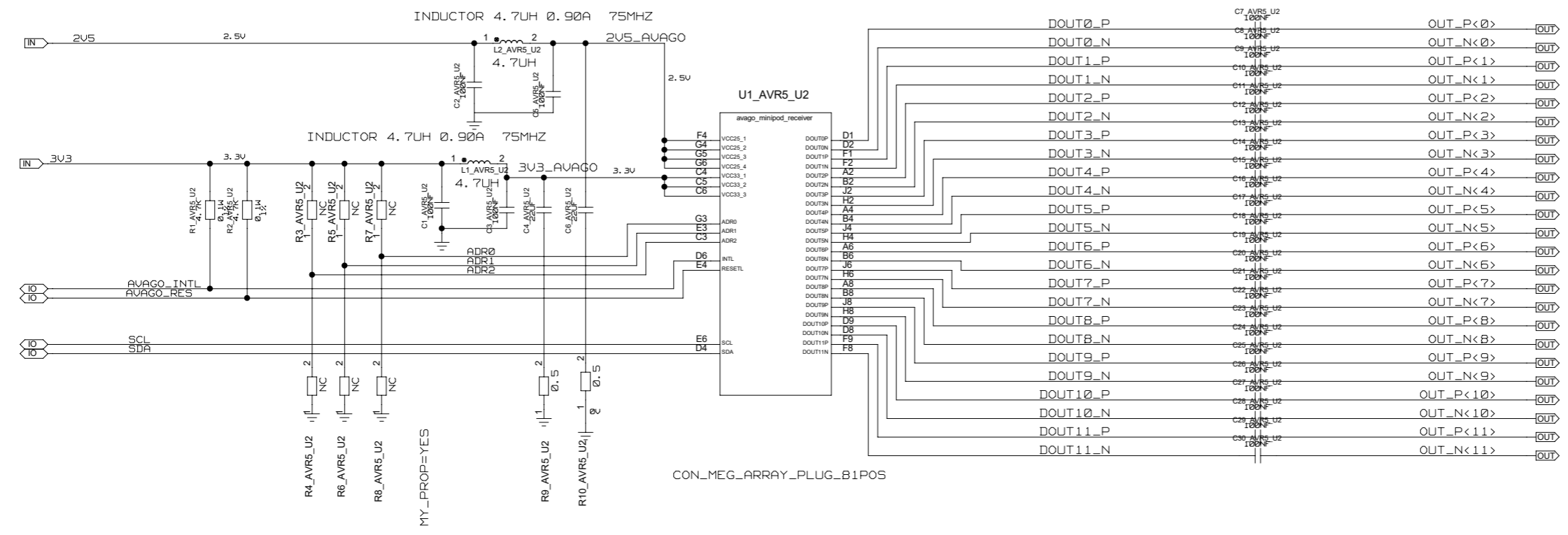
NAME	DATE	SIGN	DRAWING TITLE	
CHECKED J. V. DE SOUZA			AVAGO RECEIVER	
CHECKED U. SCHAEFER				
CHECKED S. RAVE				
DRAWN BAUSS				
BLOCK TITLE			SIZE	DRAWING NO.
UNIVERSITY OF MAINZ			SCALE	SHEET OF

REVISIONS				
ZONE	LTR	DESCRIPTION	DATE	APPR.



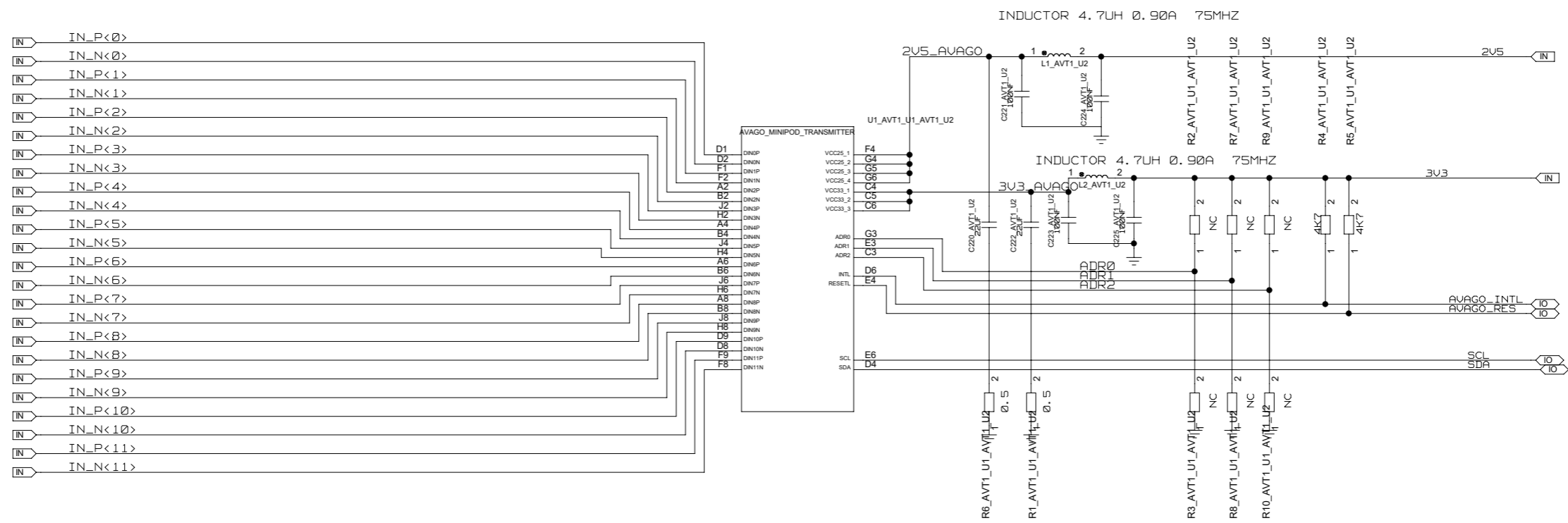
NAME	DATE	SIGN	DRAWING TITLE	
CHECKED J. V. DE SOUZA			AVAGO RECEIVER	
CHECKED U. SCHAEFER				
CHECKED S. RAVE				
DRAWN BAUSS				
BLOCK TITLE			SIZE	REV.
UNIVERSITY OF MAINZ			SCALE	DRAWING NO.
				SHEET OF

REVISIONS				
ZONE	LTR	DESCRIPTION	DATE	APPR.



NAME	DATE	SIGN	DRAWING TITLE
CHECKED J. V. DE SOUZA			AVAGO RECEIVER
CHECKED U. SCHAEFER			
CHECKED S. RAVE			
DRAWN BAUSS			
BLOCK TITLE			
UNIVERSITY OF MAINZ			
SIZE	REV.	DRAWING NO.	
SCALE			SHEET OF

REVISIONS				
ZONE	LTR	DESCRIPTION	DATE	APPR.

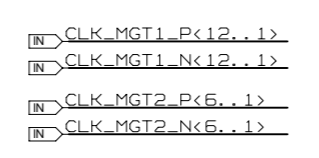
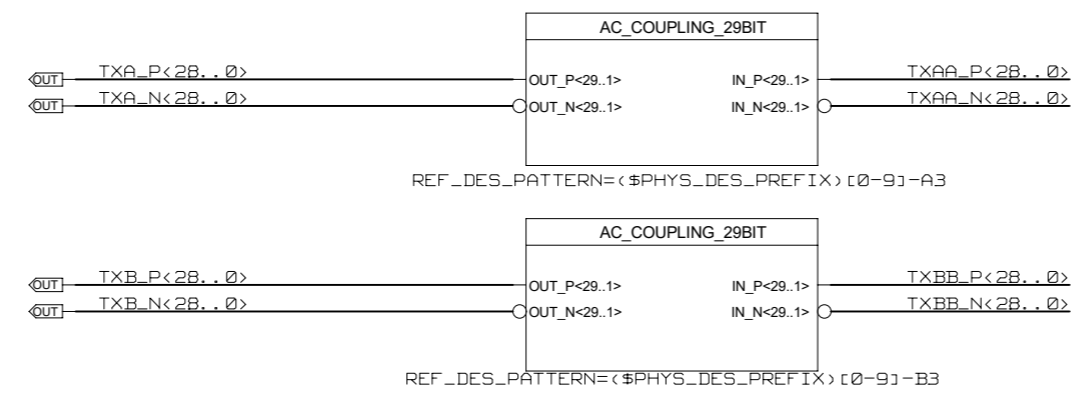


- IN IN_P<0>
- IN IN_N<0>
- IN IN_P<1>
- IN IN_N<1>
- IN IN_P<2>
- IN IN_N<2>
- IN IN_P<3>
- IN IN_N<3>
- IN IN_P<4>
- IN IN_N<4>
- IN IN_P<5>
- IN IN_N<5>
- IN IN_P<6>
- IN IN_N<6>
- IN IN_P<7>
- IN IN_N<7>
- IN IN_P<8>
- IN IN_N<8>
- IN IN_P<9>
- IN IN_N<9>
- IN IN_P<10>
- IN IN_N<10>
- IN IN_P<11>
- IN IN_N<11>

NAME	DATE	SIGN	DRAWING TITLE	
CHECKED	J. V. DE SOUZA		AVAGO TRANSMITTER	
CHECKED	U.SCHAEFER			
CHECKED	S.RAVE			
DRAWN	BAUSS			
BLOCK TITLE			SIZE	REV.
UNIVERSITY OF MAINZ			C	
			SCALE	DRAWING NO.
				SHEET OF

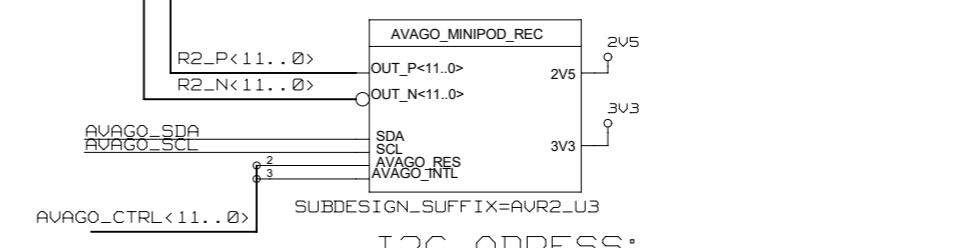
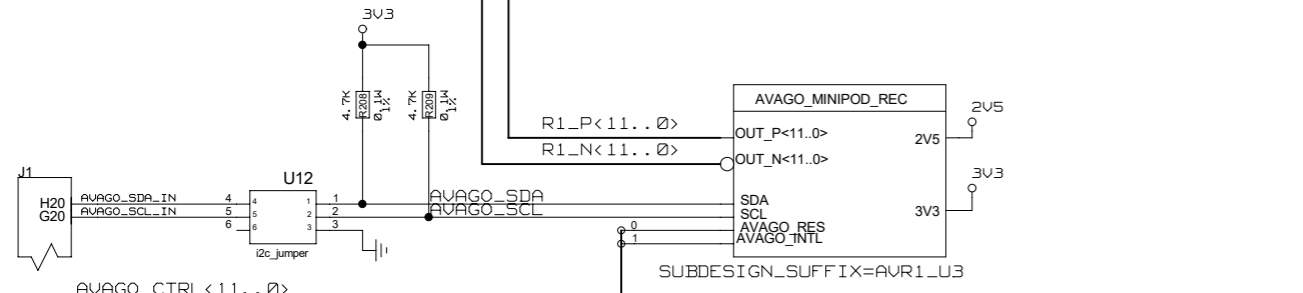
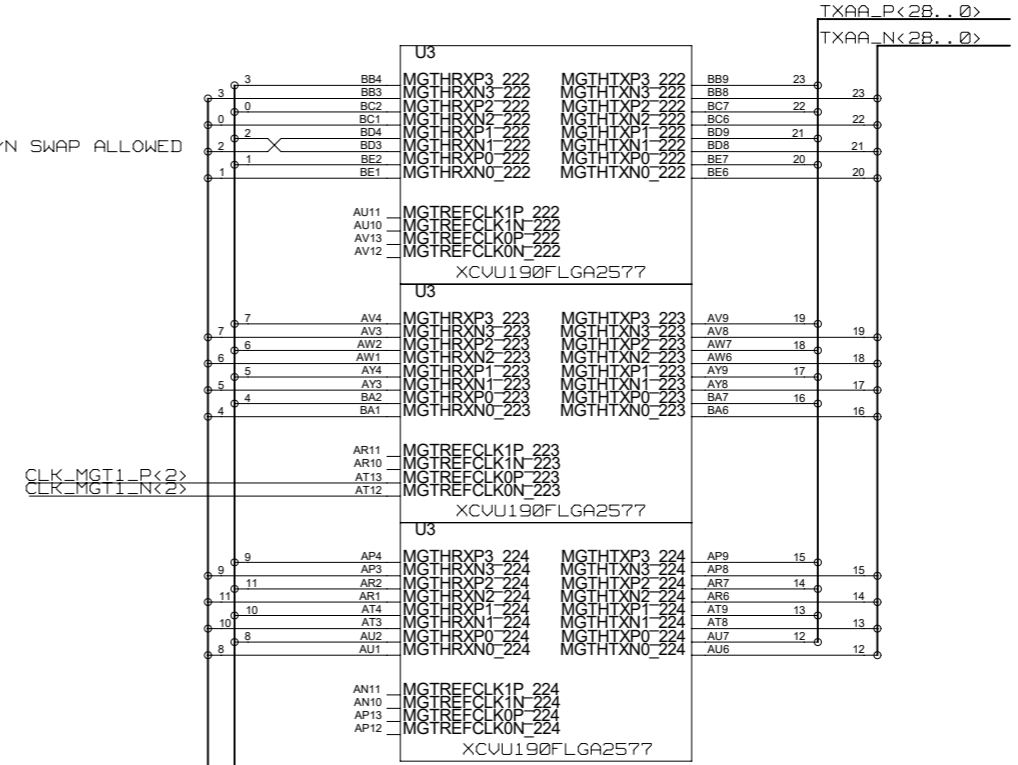
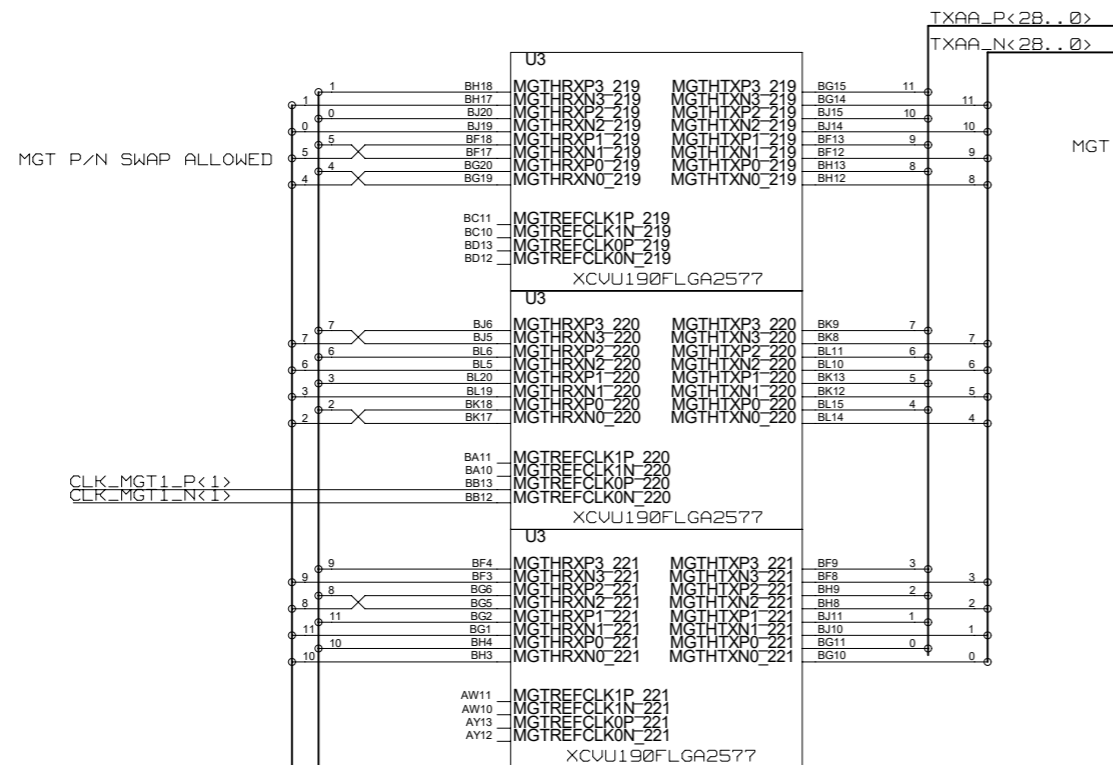
REVISIONS				
ZONE	LTR	DESCRIPTION	DATE	APPR.

AC COUPLING



CHECKED	J.V. DE SOUZA			DRAWING TITLE I/O + AC COUPLING
CHECKED	U.SCHAEFER			
CHECKED	S.RAVE			
DRAWN	BAUSS	07.08.2015		
BLOCK TITLE U3_MGT_REAL_TIME				
UNIVERSITY OF MAINZ				SIZE C
				REV.
SCALE			DRAWING NO.	SHEET 1 OF 7

REVISIONS				
ZONE	LTR	DESCRIPTION	DATE	APPR.



AVAGO_CTRL <11..0>
 AVAGO_CTRL 0, 2, 4, 6, 8, 10 = AVAGO_RES_XX
 AVAGO_CTRL 1, 3, 5, 7, 9, 11 = AVAGO_INTL_XX

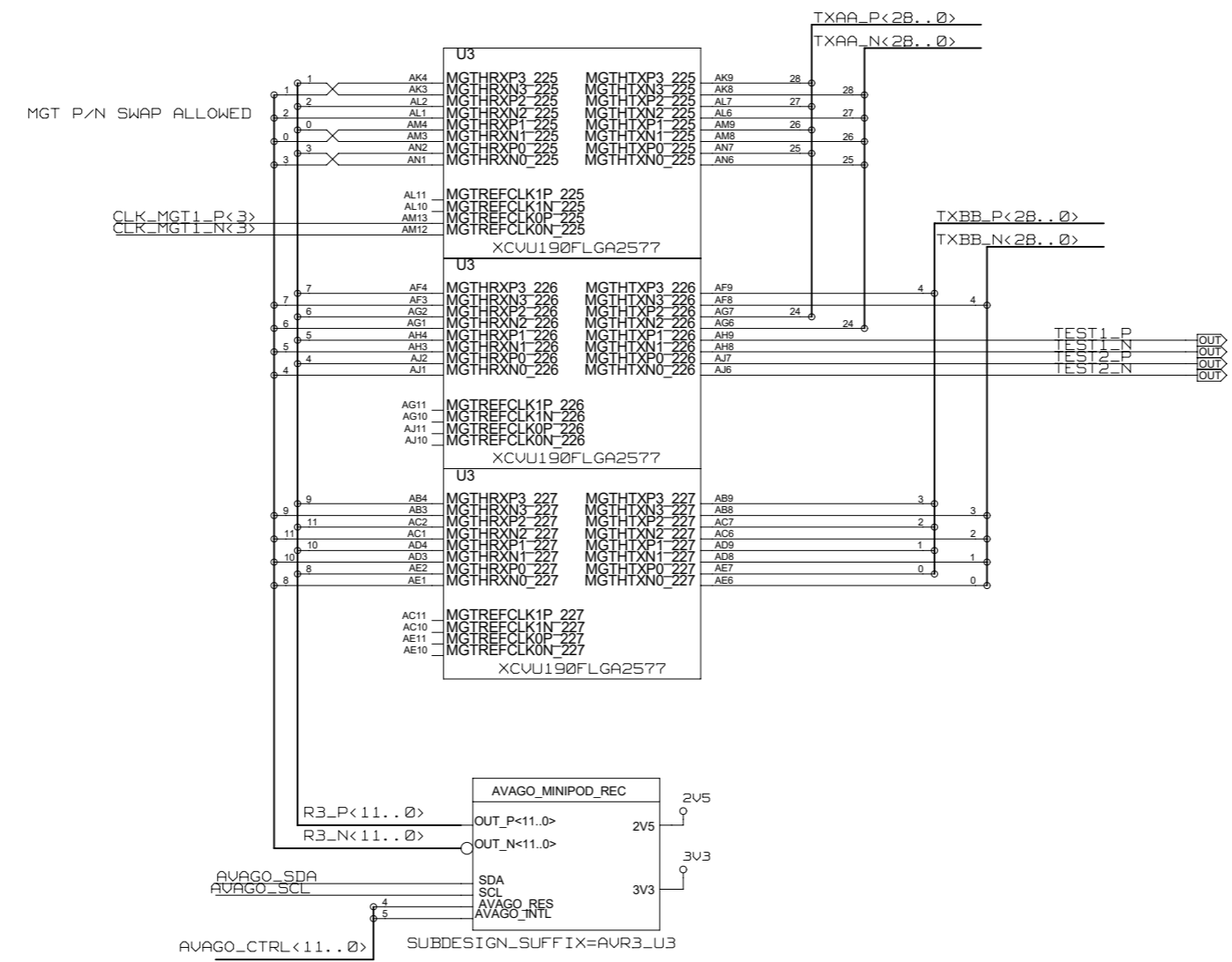
I2C ADDRESS:
 R3=XXX R4=XXX
 R5=XXX R6=XXX
 R7=XXX R8=XXX

I2C ADDRESS:
 R3=XXX R4=XXX
 R5=XXX R6=XXX
 R7=XXX R8=XXX

BANK
210
209
208
207
206
205
204
203
202
201
200

NAME	DATE	SIGN	DRAWING TITLE		
CHECKED J.V.DE SOUZA			AVAGO + TXA		
CHECKED U.SCHAEFER					
CHECKED S.RAVE					
DRAWN BAUSS	07.08.2015				
BLOCK TITLE			SIZE	REV.	DRAWING NO.
U3_MGT_REAL_TIME			C		
UNIVERSITY OF MAINZ			SCALE		SHEET 2 OF 7

REVISIONS				
ZONE	LTR	DESCRIPTION	DATE	APPR.



I2C ADDRESS:

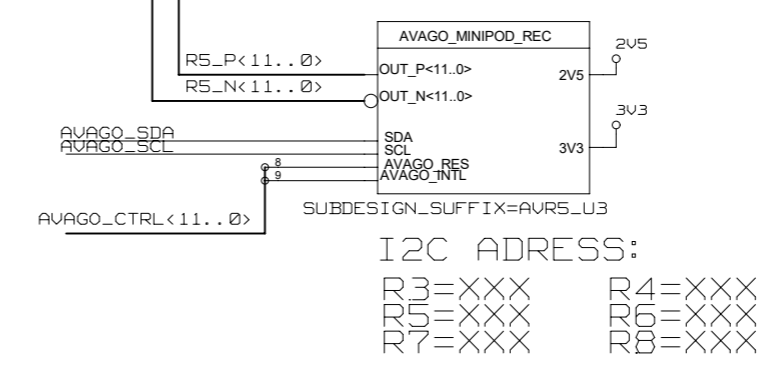
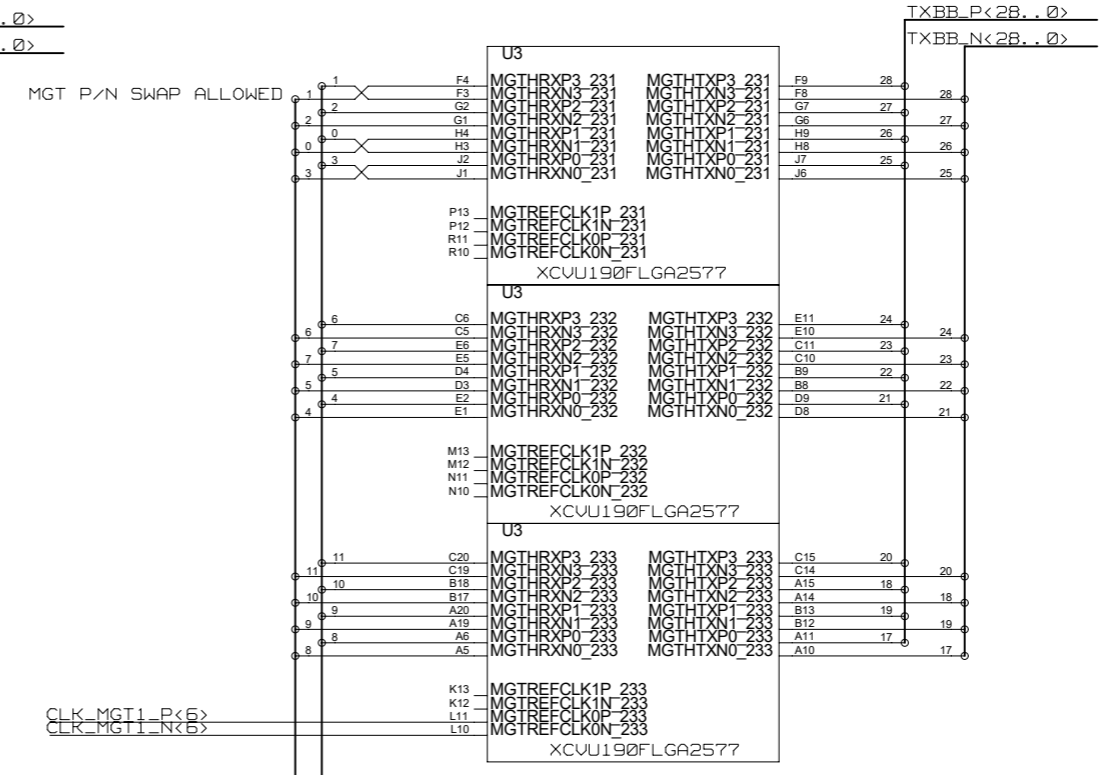
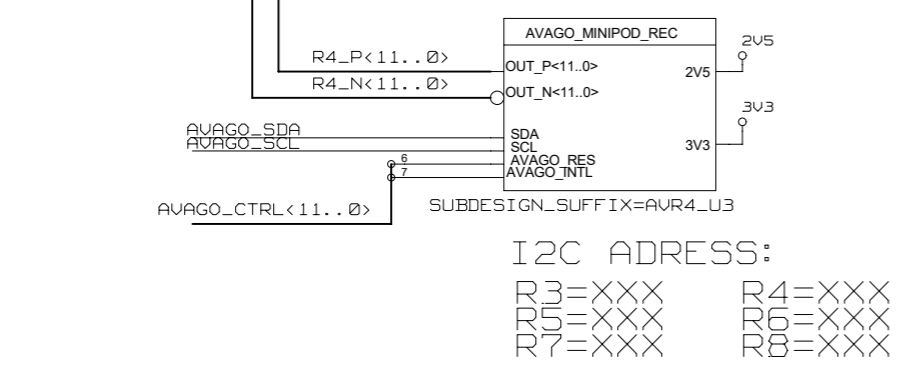
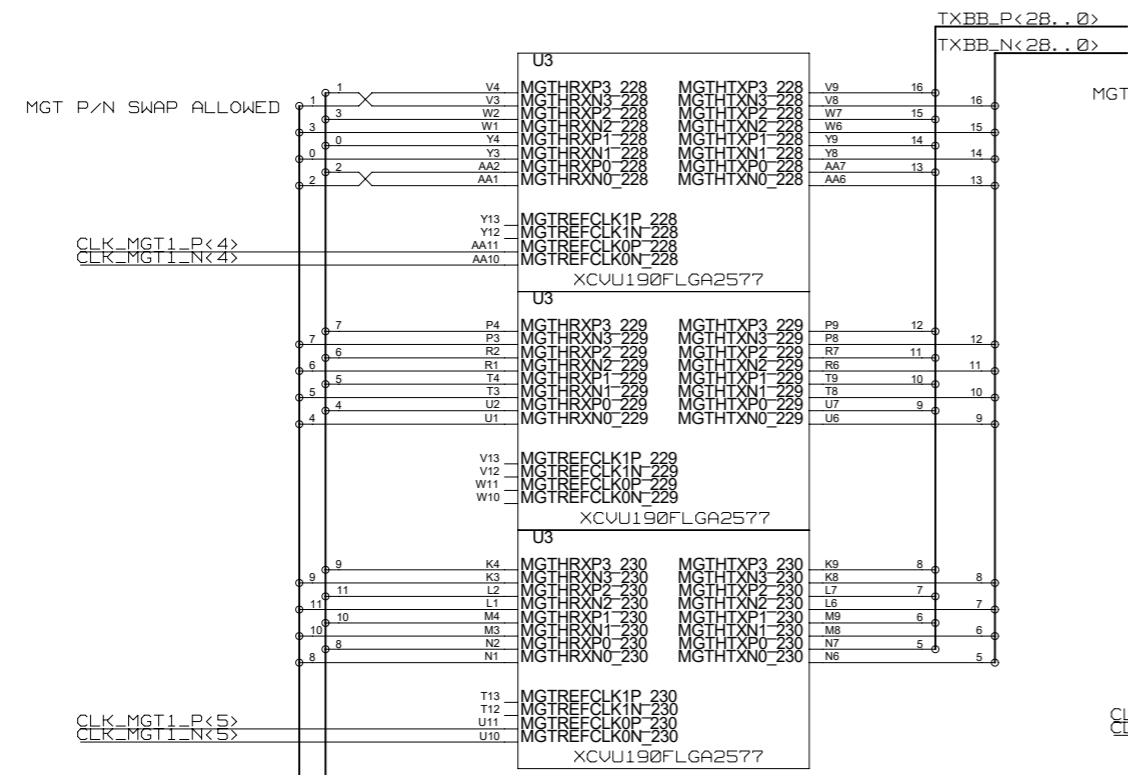
R3=XXX	R4=XXX
R5=XXX	R6=XXX
R7=XXX	R8=XXX

BANK

225
226
227

NAME	DATE	SIGN	DRAWING TITLE
CHECKED	J.V.DE SOUZA		AVAGO + TXA + TXB
CHECKED	U.SCHAEFER		
CHECKED	S.RAVE		
DRAWN	BAUSS	07.08.2015	
BLOCK TITLE			DRAWING NO.
U3_MGT_REAL_TIME			
UNIVERSITY OF MAINZ		SIZE C	REV.
SCALE		DRAWING NO.	
			SHEET 3 OF 7

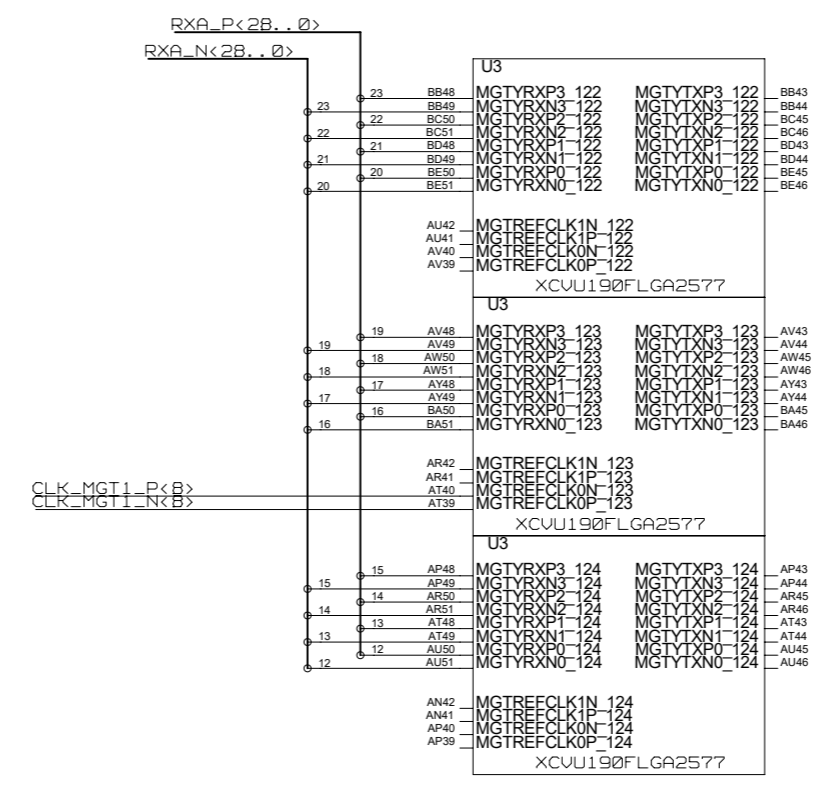
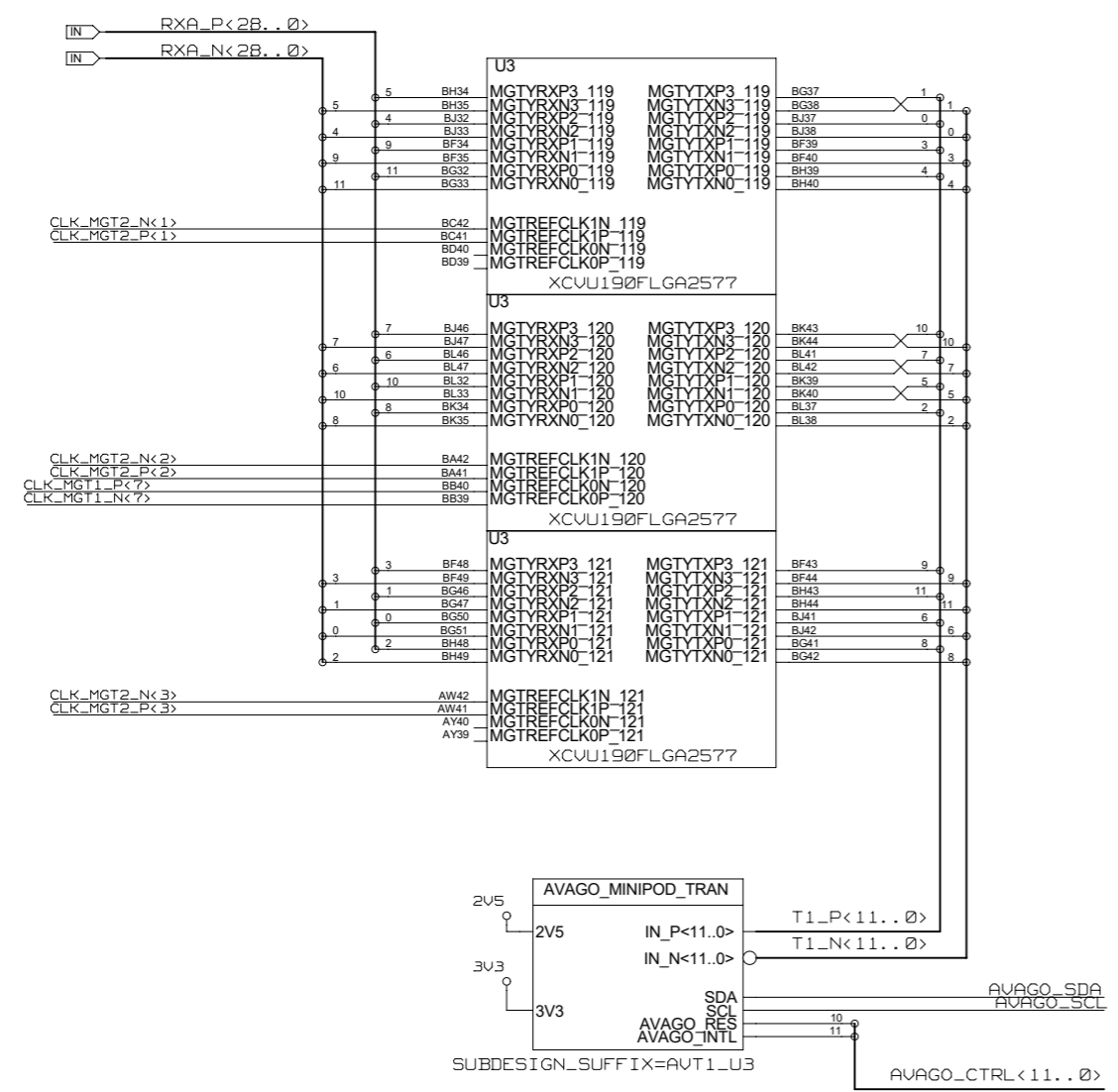
REVISIONS				
ZONE	LTR	DESCRIPTION	DATE	APPR.



BANK
R3
R4
R5
R6
R7
R8

NAME	DATE	SIGN	DRAWING TITLE
CHECKED J. V. DE SOUZA			AVAGO + TXB
CHECKED U. SCHAEFER			
CHECKED S. RAVE			
DRAWN BAUSS	07.08.2015		
BLOCK TITLE			DRAWING NO.
U3_MGT_REAL_TIME			
UNIVERSITY OF MAINZ			SCALE
SIZE C			REV.
SHEET 4 OF 7			

REVISIONS				
ZONE	LTR	DESCRIPTION	DATE	APPR.

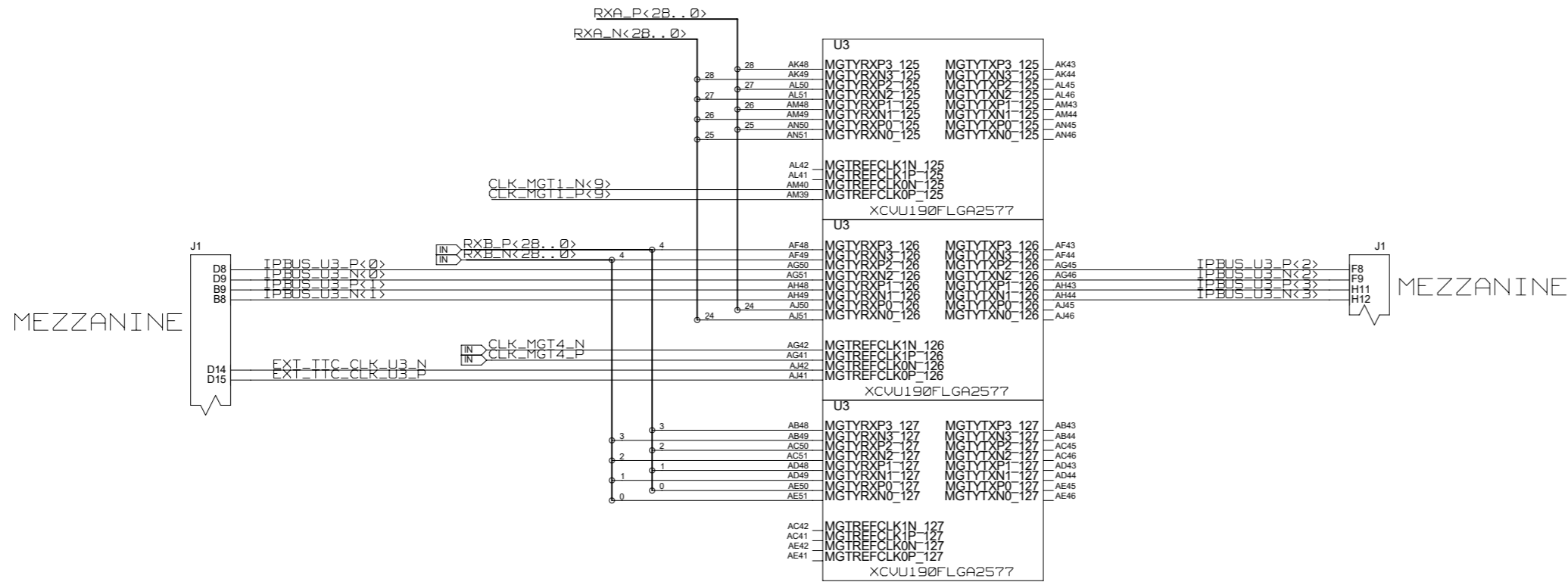


I2C ADDRESS:
R3=XXX R4=XXX
R5=XXX R6=XXX
R7=XXX R8=XXX

BANK
110
120
130
140
150
160
170
180
190

CHECKED	J.V.DE SOUZA			DRAWING TITLE AVAGO + RXA
CHECKED	U.SCHAEFER			
CHECKED	S.RAVE			
DRAWN	BAUSS	07.08.2015		
BLOCK TITLE U3_MGT_REAL_TIME				
UNIVERSITY OF MAINZ		SIZE C	REV.	DRAWING NO.
		SCALE		SHEET 5 OF 7

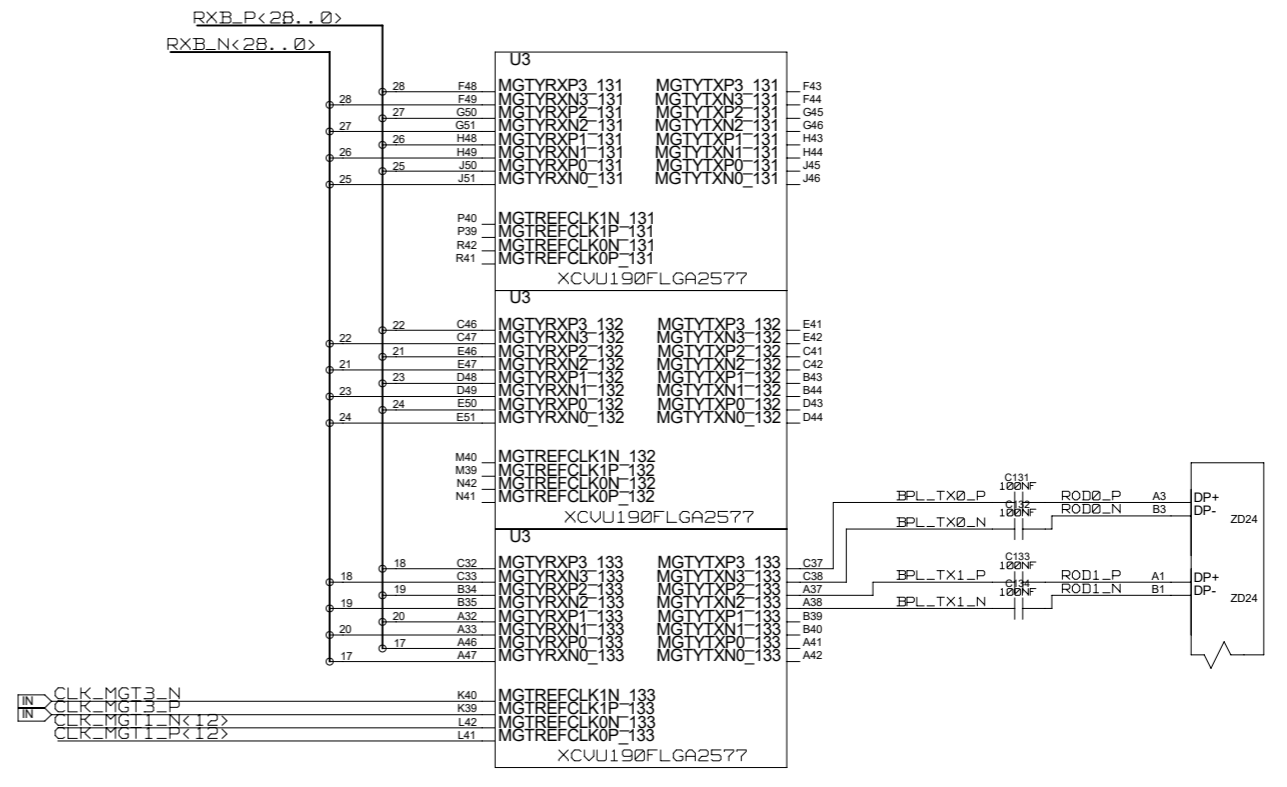
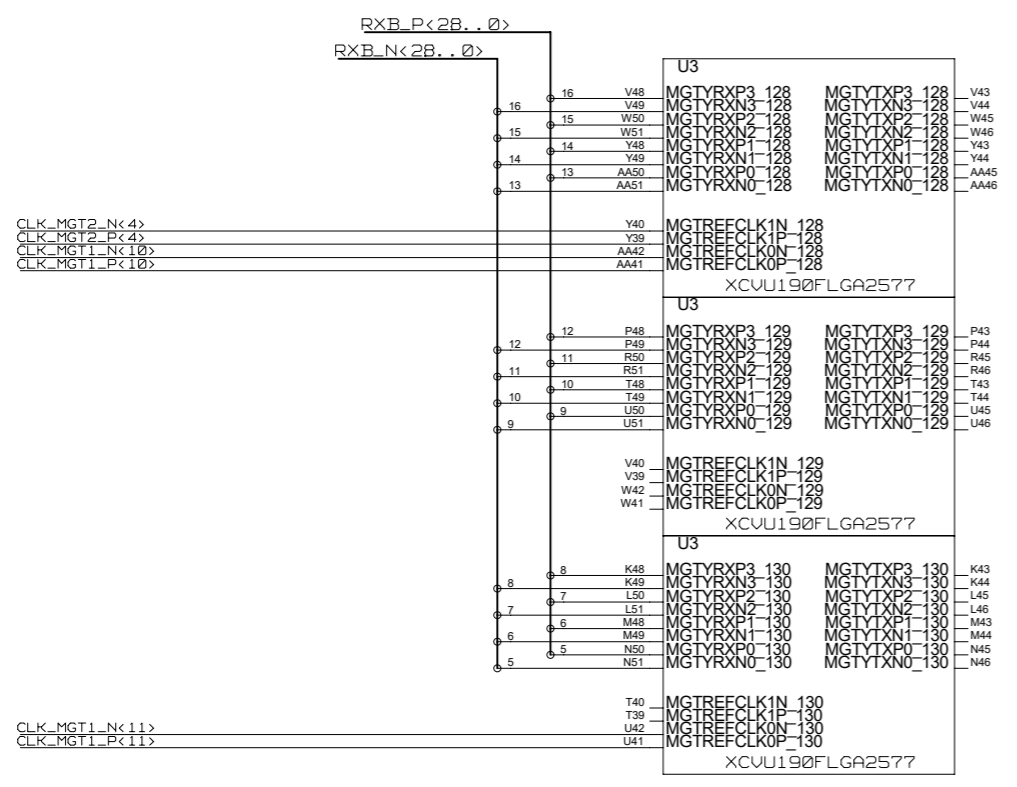
REVISIONS				
ZONE	LTR	DESCRIPTION	DATE	APPR.



BANK
125
126
127

CHECKED	J. V. DE SOUZA			DRAWING TITLE RXA + RXB TXD + IPBUS
CHECKED	U.SCHAEFER			
CHECKED	S.RAVE			
DRAWN	BAUSS	07.08.2015		
BLOCK TITLE U3_MGT_REAL_TIME				
UNIVERSITY OF MAINZ				SIZE C
				REV.
				DRAWING NO.
				SCALE
				SHEET 6 OF 7

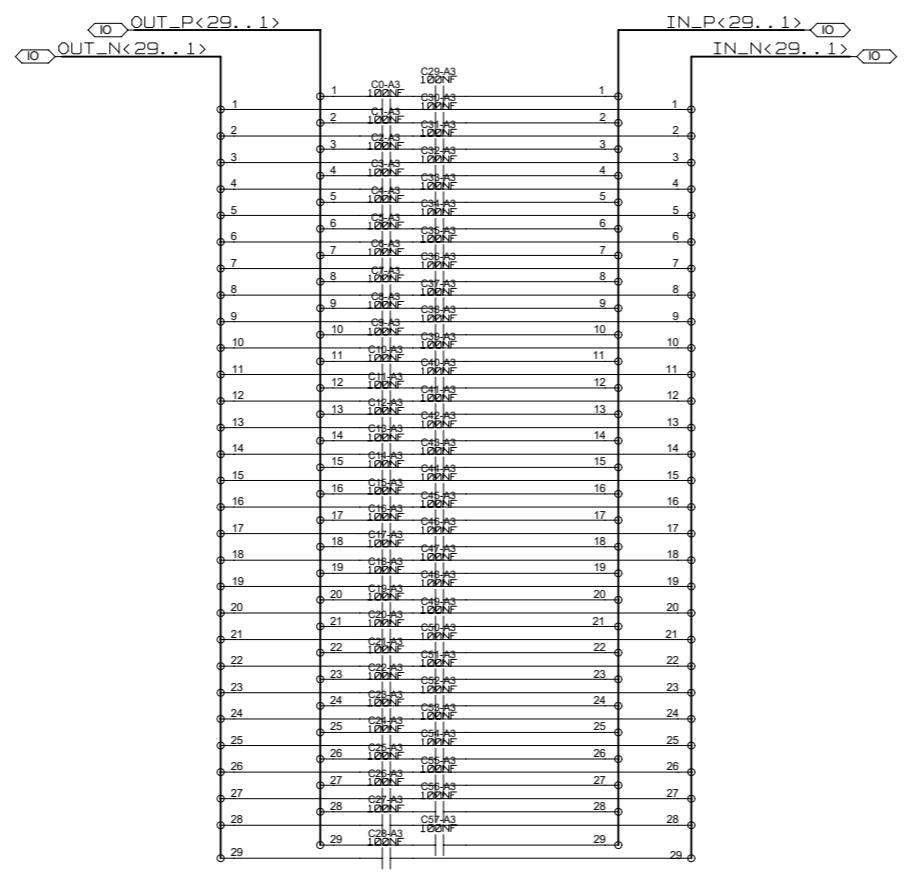
REVISIONS				
ZONE	LTR	DESCRIPTION	DATE	APPR.



BANK
128
129
130
131
132
133
134
135
136
137
138

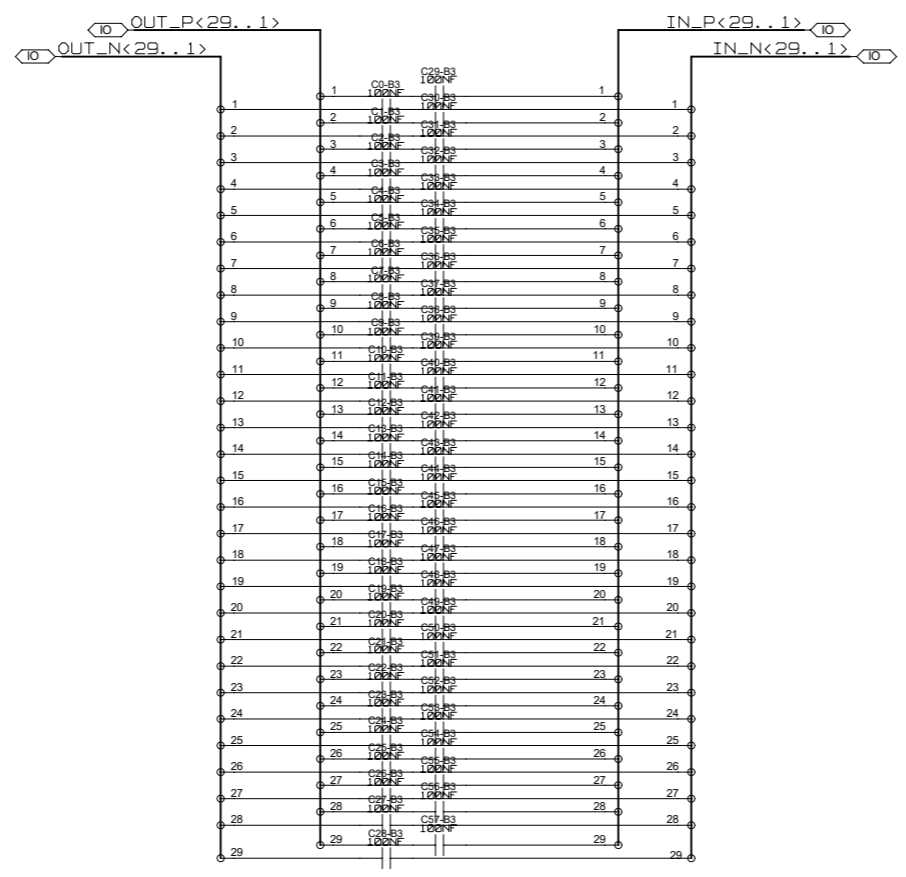
CHECKED	J. V. DE SOUZA			DRAWING TITLE RXB + TXC
CHECKED	U. SCHAEFER			
CHECKED	S. RAVE			
DRAWN	BAUSS	07.08.2015		
BLOCK TITLE U3_MGT_REAL_TIME				
UNIVERSITY OF MAINZ		SIZE C	REV.	DRAWING NO.
SCALE				SHEET 7 OF 7

REVISIONS				
ZONE	LTR	DESCRIPTION	DATE	APPR.



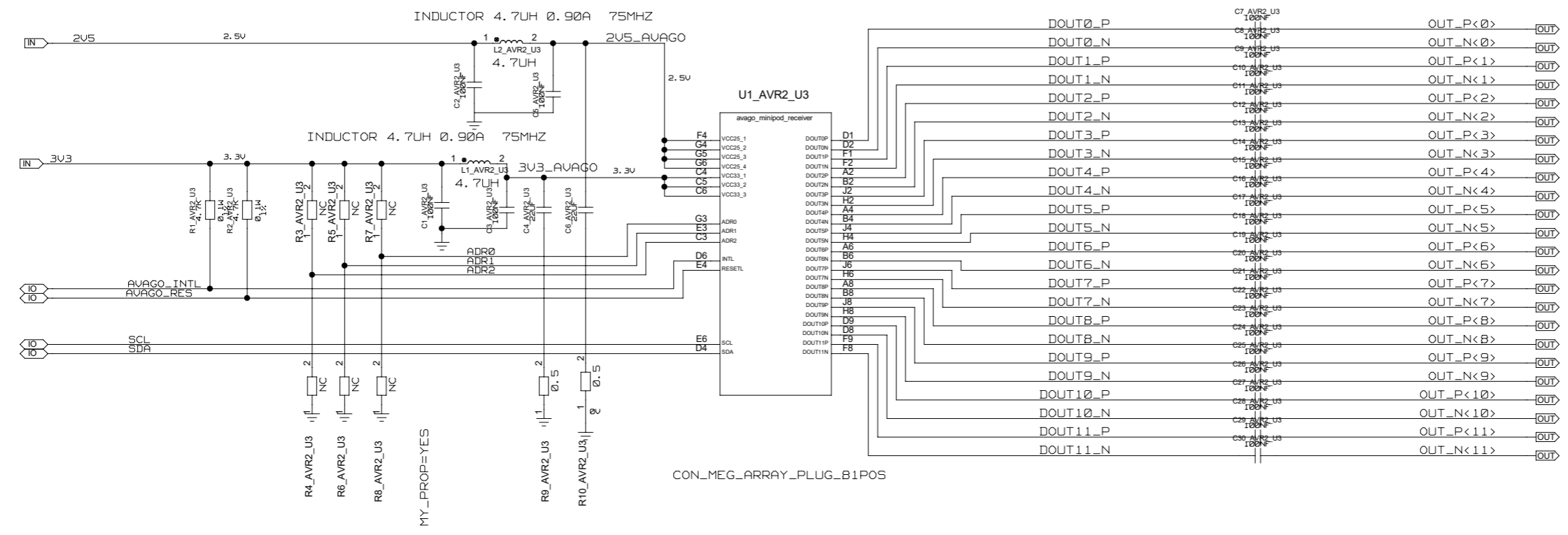
CHECKED	NAME	DATE	SIGN	DRAWING TITLE	
CHECKED	J. V. DE SOUZA			AC COUPLING 29BIT	
CHECKED	U. SCHAEFER				
CHECKED	S. RAVE				
DRAWN	BAUSS			BLOCK TITLE	
UNIVERSITY OF MAINZ				SIZE	DRAWING NO.
				C	REV.
SCALE			SHEET OF		

REVISIONS				
ZONE	LTR	DESCRIPTION	DATE	APPR.



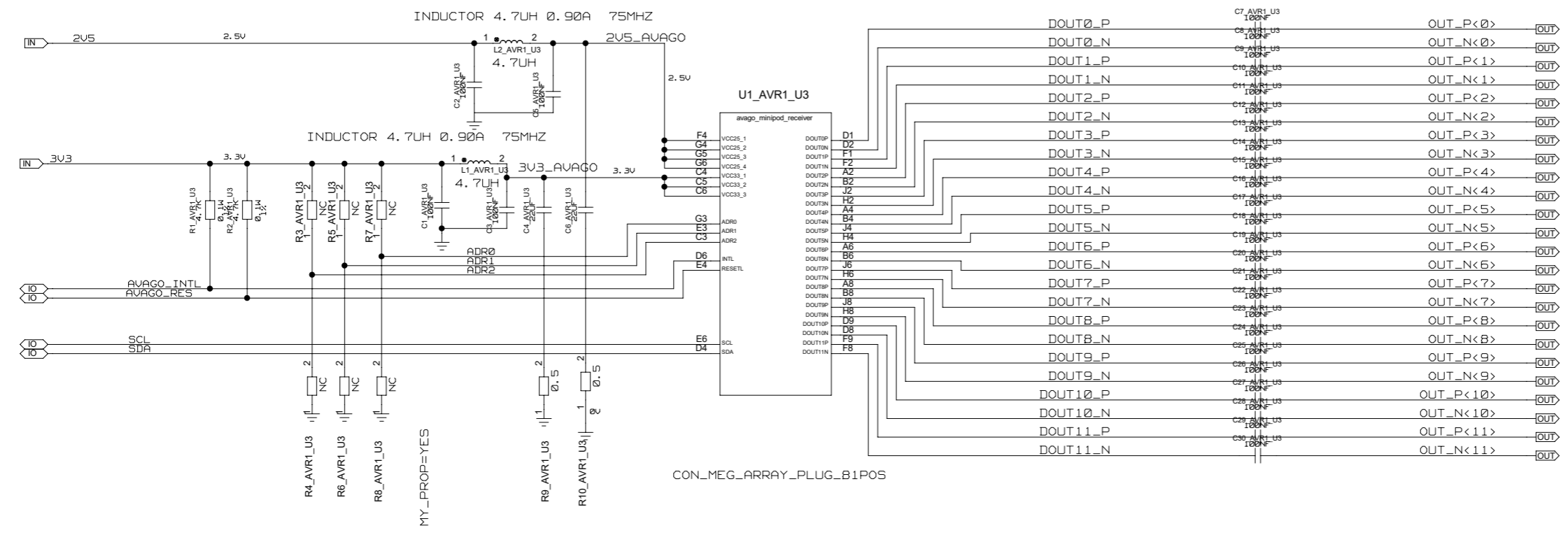
CHECKED	NAME	DATE	SIGN	DRAWING TITLE	
CHECKED	J.V.DE SOUZA			AC COUPLING 29BIT	
CHECKED	U.SCHAEFER				
CHECKED	S.RAVE				
DRAWN	BAUSS				
BLOCK TITLE				SIZE	DRAWING NO.
UNIVERSITY OF MAINZ				C	REV.
				SCALE	SHEET OF

REVISIONS				
ZONE	LTR	DESCRIPTION	DATE	APPR.



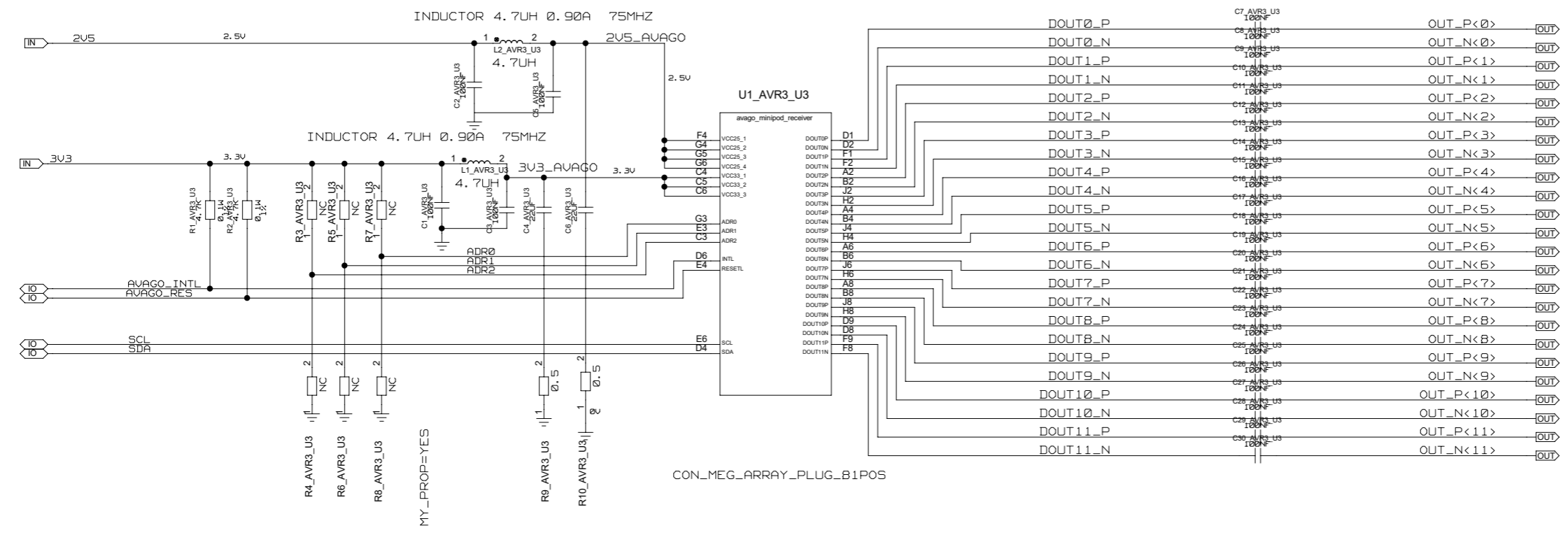
NAME	DATE	SIGN	DRAWING TITLE	
CHECKED J. V. DE SOUZA			AVAGO RECEIVER	
CHECKED U. SCHAEFER				
CHECKED S. RAVE				
DRAWN BAUSS				
BLOCK TITLE			SIZE	DRAWING NO.
UNIVERSITY OF MAINZ			SCALE	SHEET OF

REVISIONS				
ZONE	LTR	DESCRIPTION	DATE	APPR.



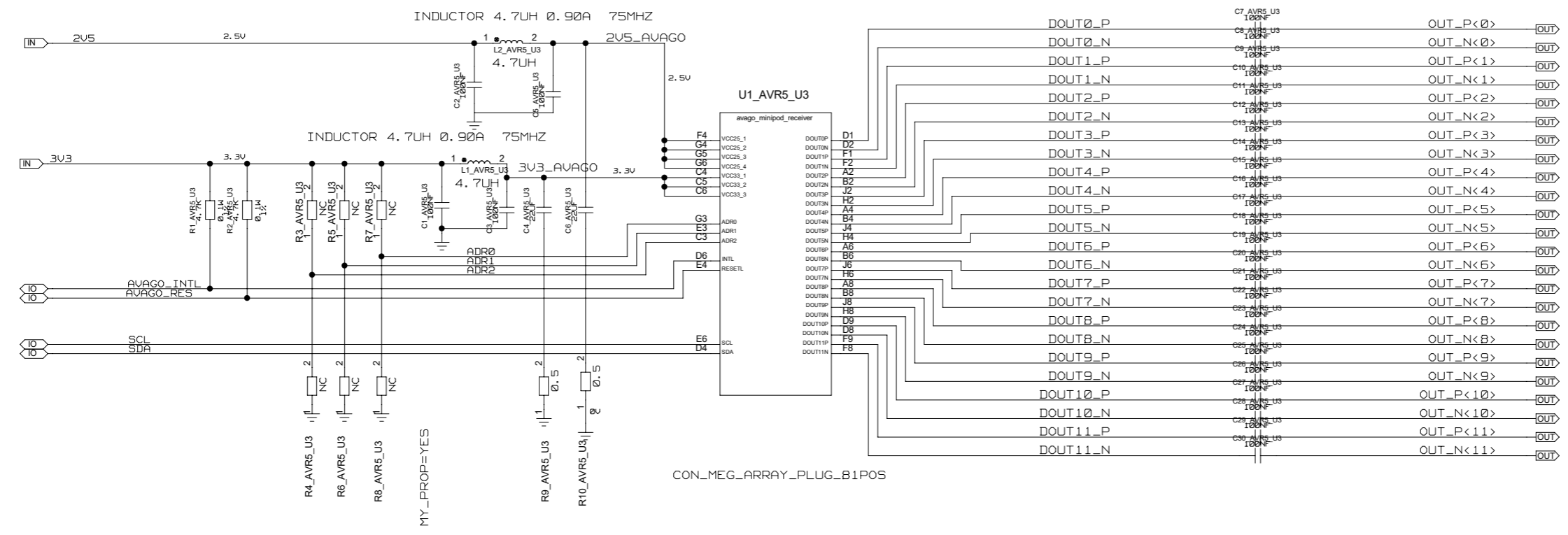
CHECKED	NAME	DATE	SIGN	DRAWING TITLE	
CHECKED	J. V. DE SOUZA			AVAGO RECEIVER	
CHECKED	U. SCHAEFER				
CHECKED	S. RAVE				
DRAWN	BAUSS				
BLOCK TITLE				SIZE	DRAWING NO.
UNIVERSITY OF MAINZ				C	REV.
				SCALE	SHEET OF

REVISIONS				
ZONE	LTR	DESCRIPTION	DATE	APPR.



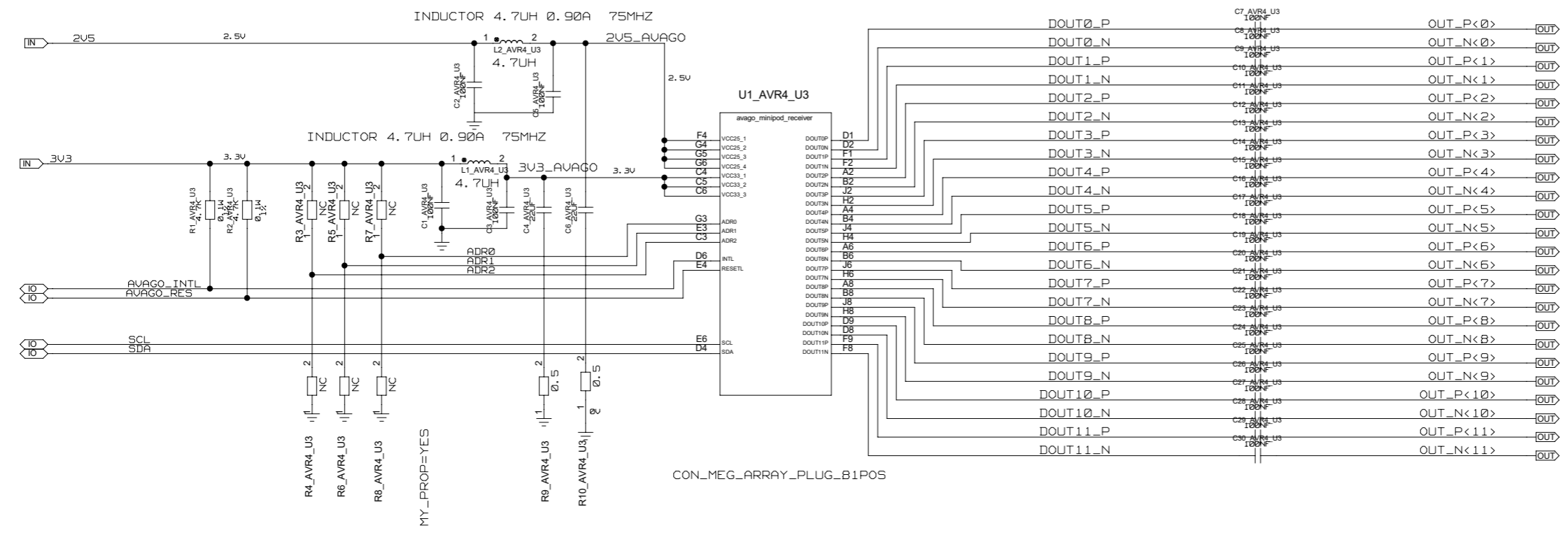
	NAME	DATE	SIGN	DRAWING TITLE	
CHECKED	J. V. DE SOUZA			AVAGO RECEIVER	
CHECKED	U. SCHAEFER				
CHECKED	S. RAVE				
DRAWN	BAUSS				
BLOCK TITLE				SIZE	DRAWING NO.
UNIVERSITY OF MAINZ				C	REV.
SCALE					SHEET OF

REVISIONS				
ZONE	LTR	DESCRIPTION	DATE	APPR.



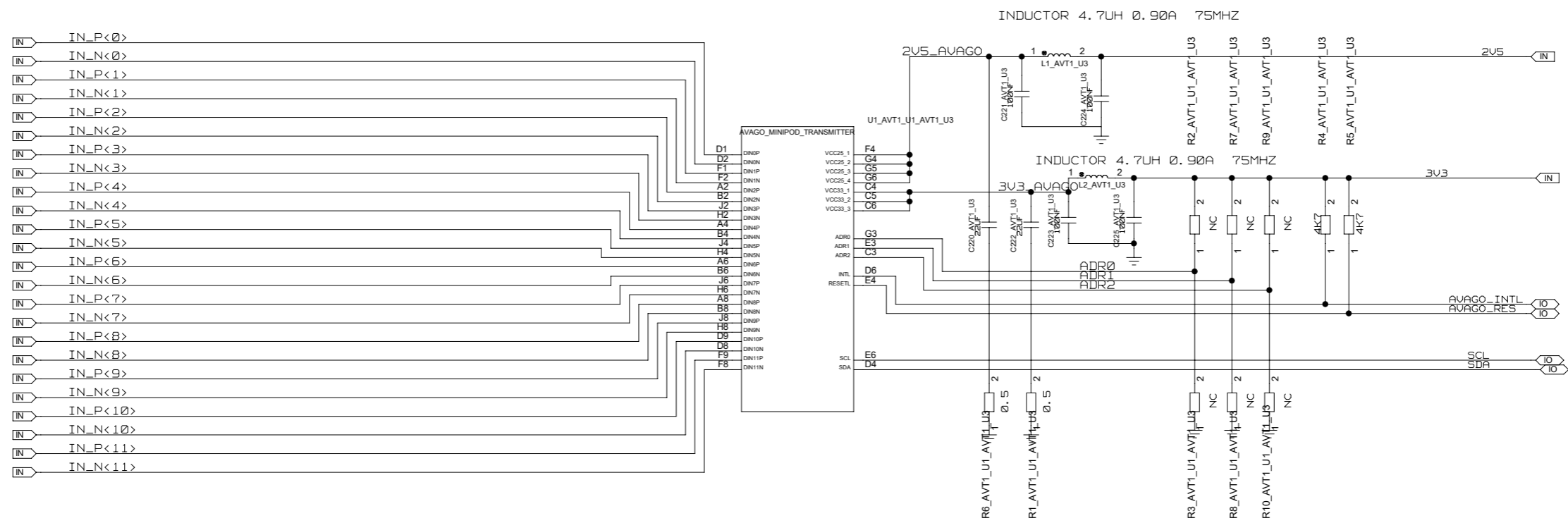
NAME	DATE	SIGN	DRAWING TITLE	
CHECKED J. V. DE SOUZA			AVAGO RECEIVER	
CHECKED U. SCHAEFER				
CHECKED S. RAVE				
DRAWN BAUSS				
BLOCK TITLE			SIZE	DRAWING NO.
UNIVERSITY OF MAINZ			SCALE	SHEET OF

REVISIONS				
ZONE	LTR	DESCRIPTION	DATE	APPR.



	NAME	DATE	SIGN	DRAWING TITLE AVAGO RECEIVER		
CHECKED	J. V. DE SOUZA					
CHECKED	U. SCHAEFER					
CHECKED	S. RAVE					
DRAWN	BAUSS					
BLOCK TITLE						
UNIVERSITY OF MAINZ				SIZE	REV.	DRAWING NO.
				SCALE		
			SHEET	OF		

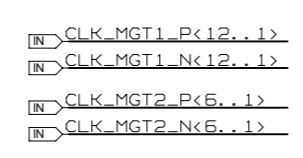
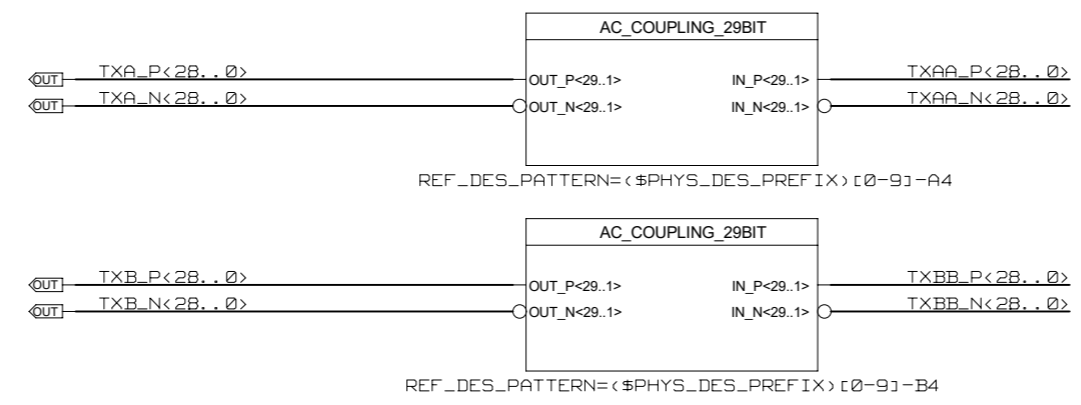
REVISIONS				
ZONE	LTR	DESCRIPTION	DATE	APPR.



NAME	DATE	SIGN	DRAWING TITLE
CHECKED J. V. DE SOUZA			AVAGO TRANSMITTER
CHECKED U. SCHAEFER			
CHECKED S. RAVE			
DRAWN BAUSS			
BLOCK TITLE			
UNIVERSITY OF MAINZ			SIZE C
			REV. DRAWING NO.
SCALE			SHEET OF

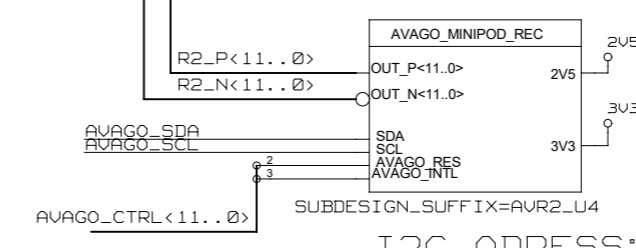
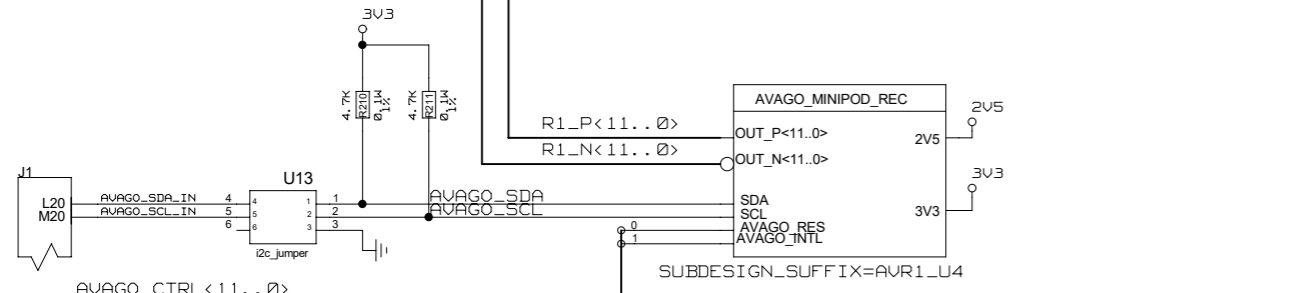
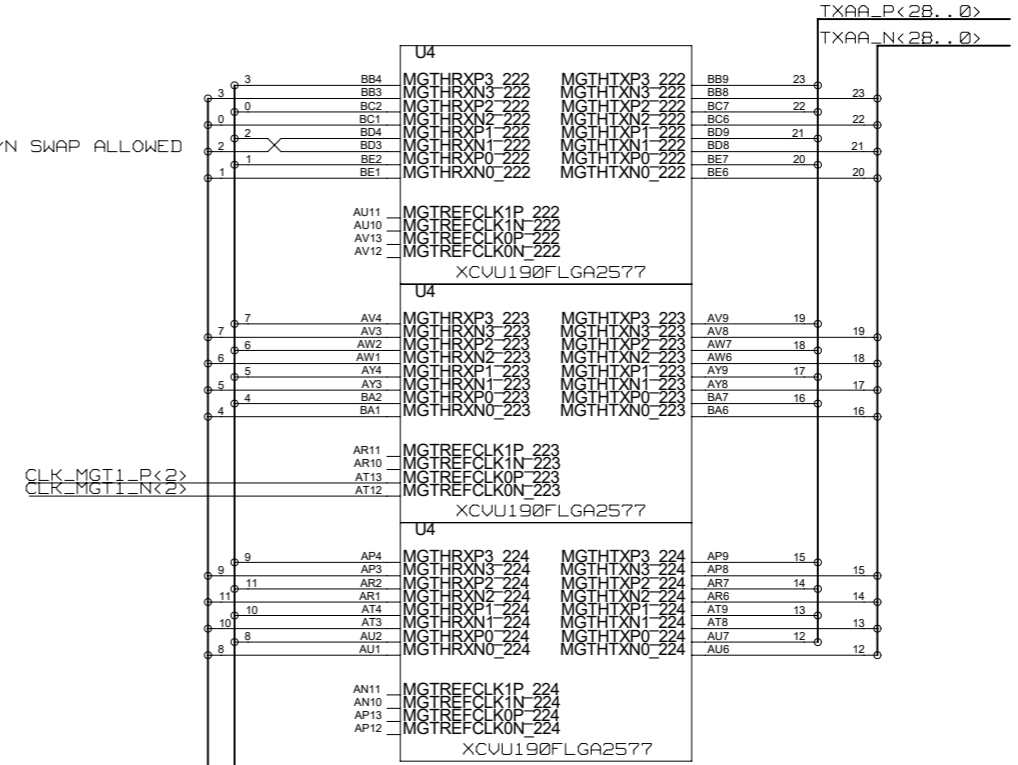
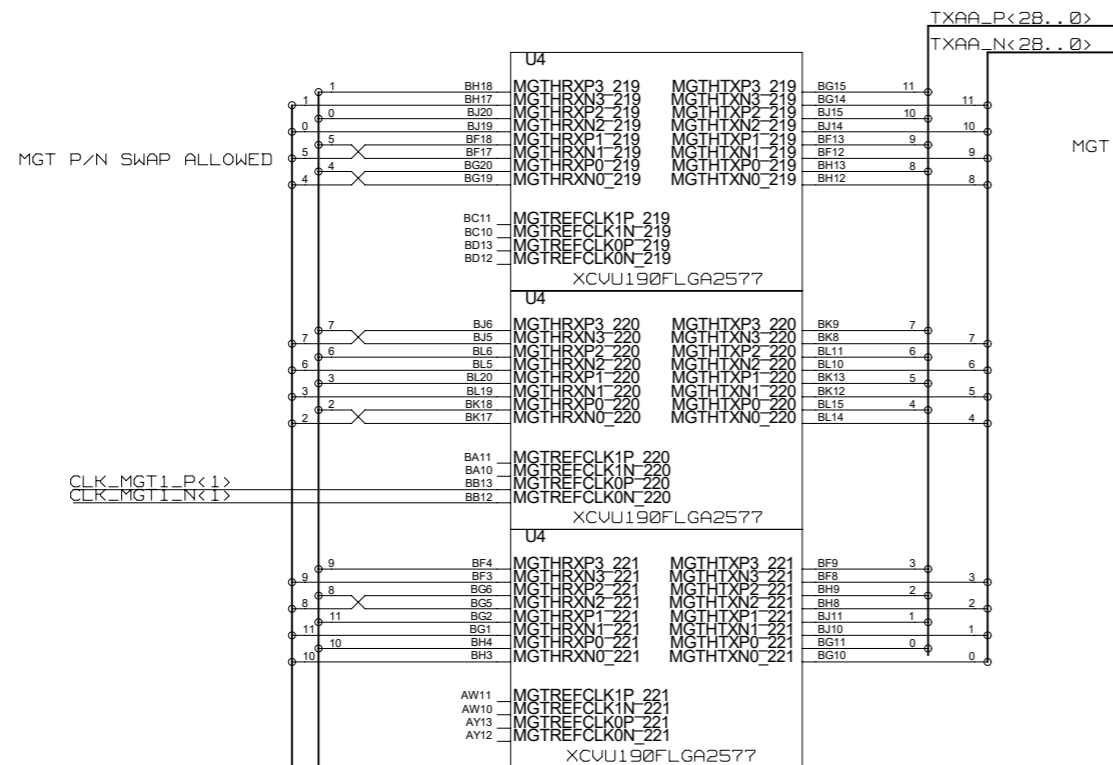
REVISIONS				
ZONE	LTR	DESCRIPTION	DATE	APPR.

AC COUPLING



CHECKED	J.V. DE SOUZA			DRAWING TITLE I/O + AC COUPLING	
CHECKED	U.SCHAEFER				
CHECKED	S.RAVE				
DRAWN	BAUSS	07.08.2015			
BLOCK TITLE U4_MGT_REAL_TIME					
UNIVERSITY OF MAINZ				SIZE C	REV.
				SCALE	DRAWING NO.
				SHEET 1 OF 7	

REVISIONS				
ZONE	LTR	DESCRIPTION	DATE	APPR.



AVAGO_CTRL<11..0>
 AVAGO_CTRL 0, 2, 4, 6, 8, 10 = AVAGO_RES_XX
 AVAGO_CTRL 1, 3, 5, 7, 9, 11 = AVAGO_INTL_XX

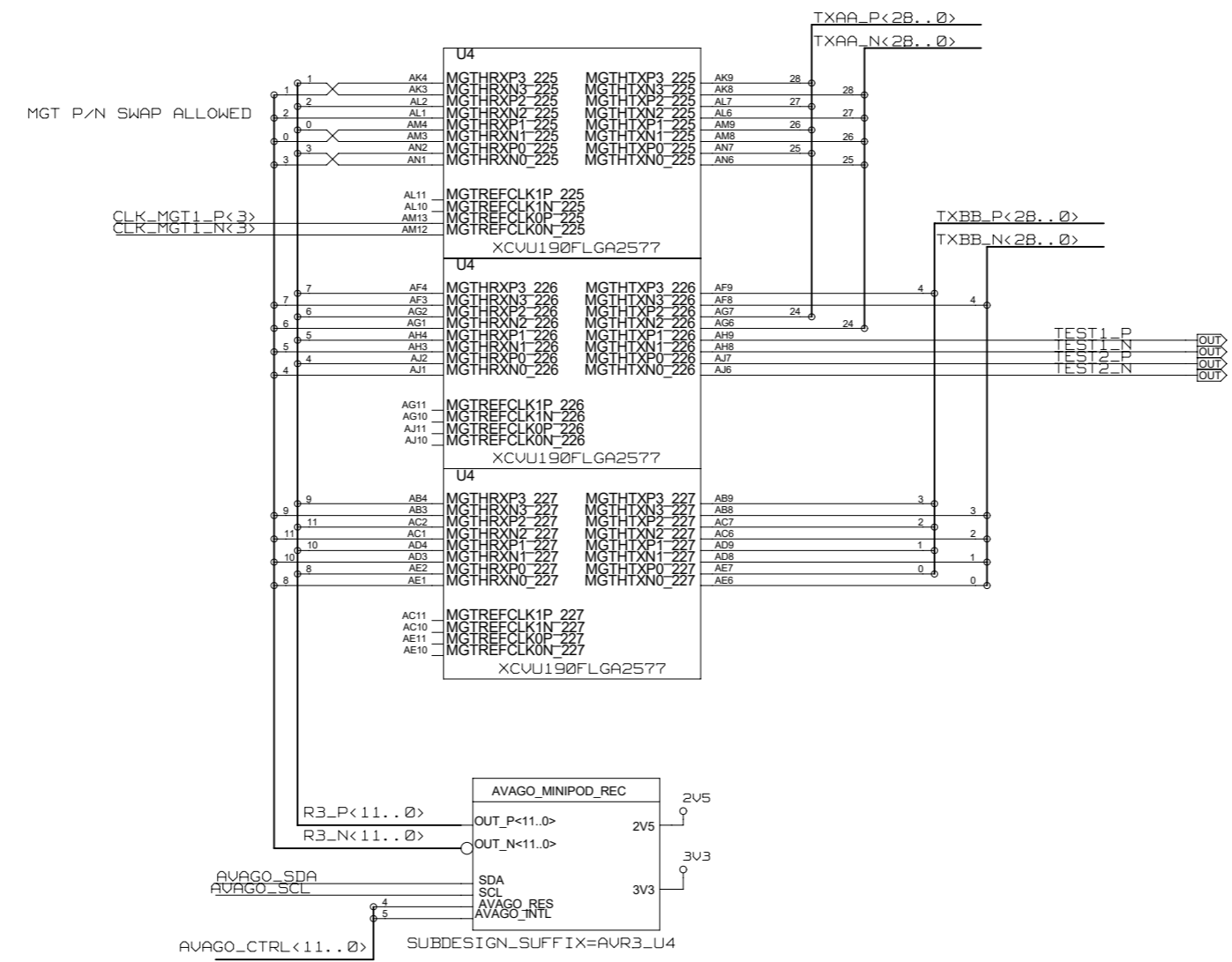
I2C ADDRESS:
 R3=XXX R4=XXX
 R5=XXX R6=XXX
 R7=XXX R8=XXX

I2C ADDRESS:
 R3=XXX R4=XXX
 R5=XXX R6=XXX
 R7=XXX R8=XXX

BANK
210
209
208
207
206
205
204
203
202
201
200

NAME	DATE	SIGN	DRAWING TITLE		
CHECKED J.V.DE SOUZA			AVAGO + TXA		
CHECKED U.SCHAEFER					
CHECKED S.RAVE					
DRAWN BAUSS	07.08.2015				
BLOCK TITLE			SIZE	REV.	DRAWING NO.
U4_MGT_REAL_TIME			C		
UNIVERSITY OF MAINZ			SCALE		SHEET 2 OF 7

REVISIONS				
ZONE	LTR	DESCRIPTION	DATE	APPR.

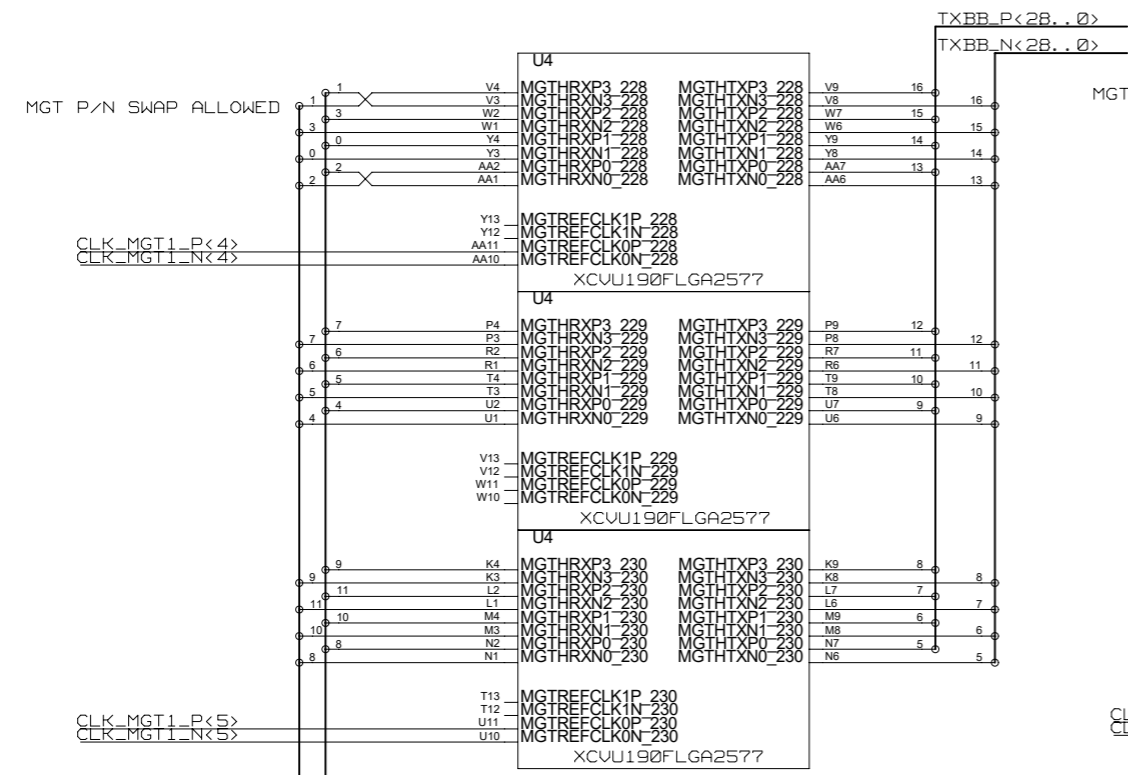


I2C ADDRESS:
R3=XXX R4=XXX
R5=XXX R6=XXX
R7=XXX R8=XXX

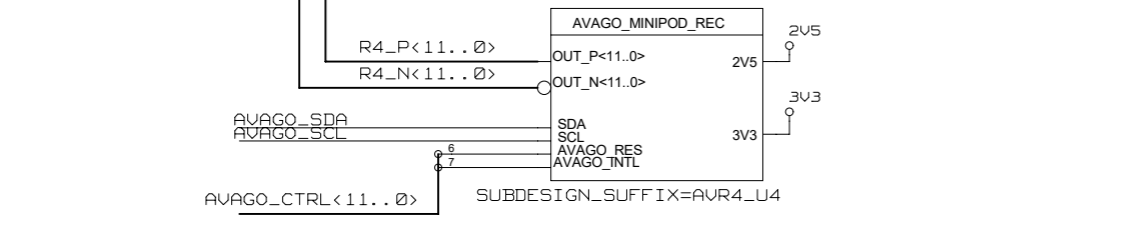
BANK
225
226
227

NAME	DATE	SIGN	DRAWING TITLE
CHECKED	J.V.DE SOUZA		AVAGO + TXA + TXB
CHECKED	U.SCHAEFER		
CHECKED	S.RAVE		
DRAWN	BAUSS	07.08.2015	
BLOCK TITLE			DRAWING NO.
U4_MGT_REAL_TIME			
UNIVERSITY OF MAINZ			
SIZE	REV.	DRAWING NO.	
C			
SCALE			SHEET 3 OF 7

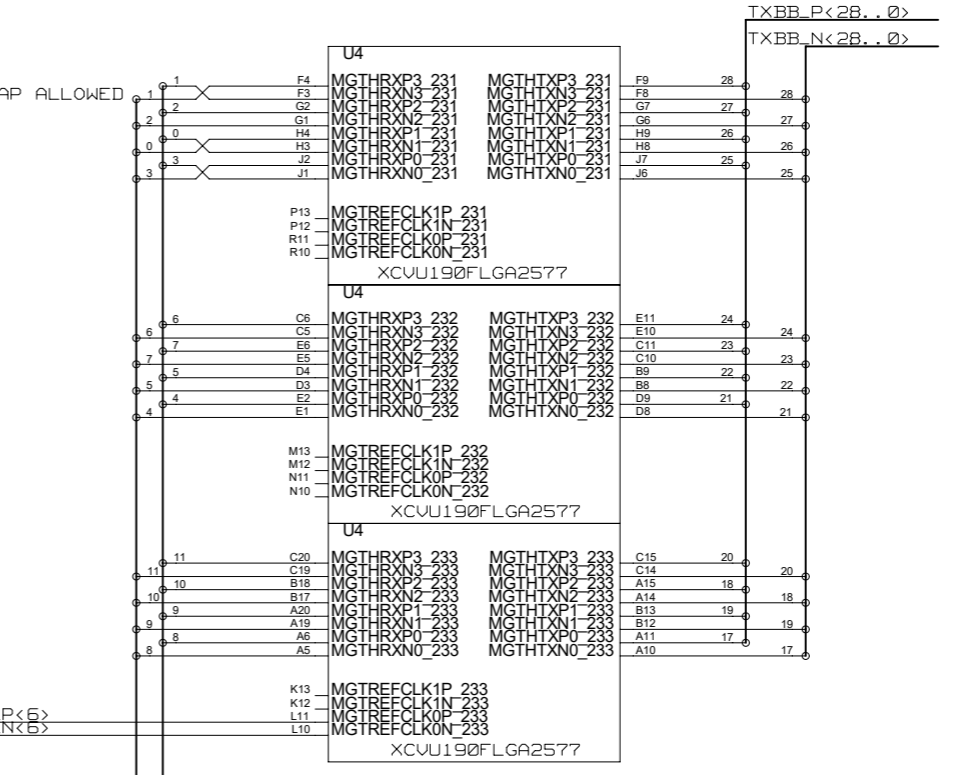
REVISIONS				
ZONE	LTR	DESCRIPTION	DATE	APPR.



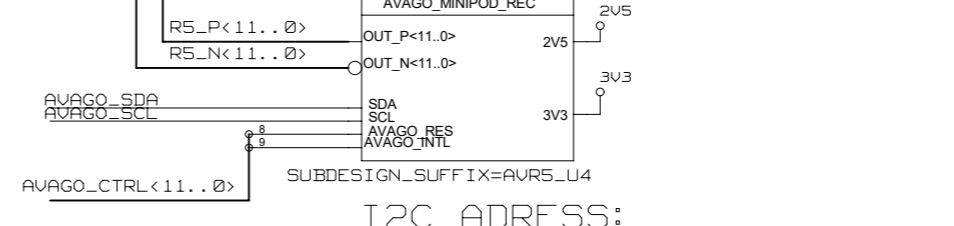
MGT P/N SWAP ALLOWED



I2C ADDRESS:
R3=XXX R4=XXX
R5=XXX R6=XXX
R7=XXX R8=XXX



MGT P/N SWAP ALLOWED

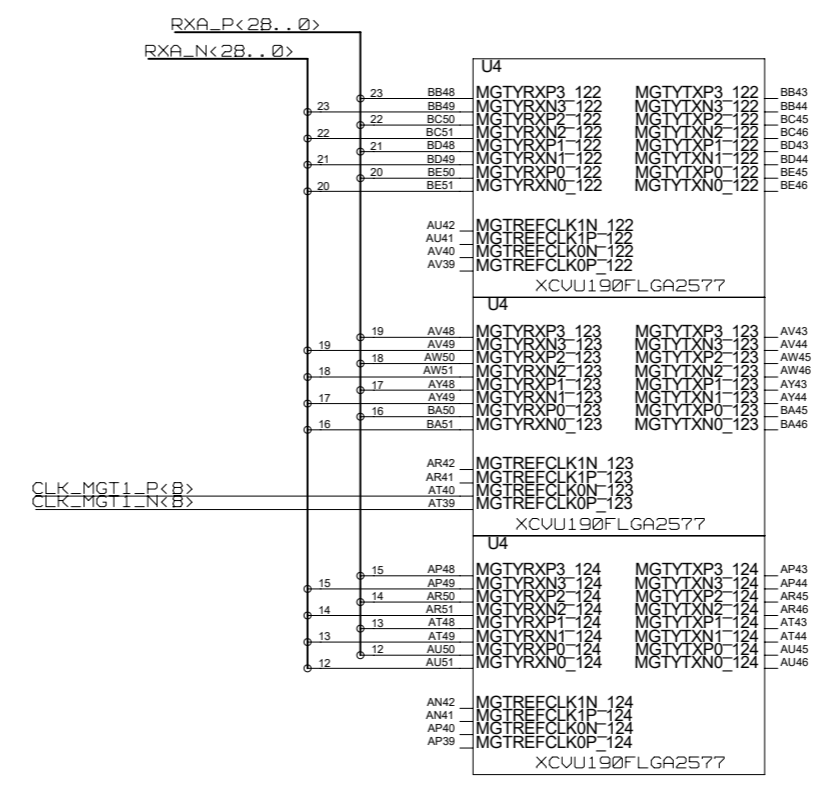
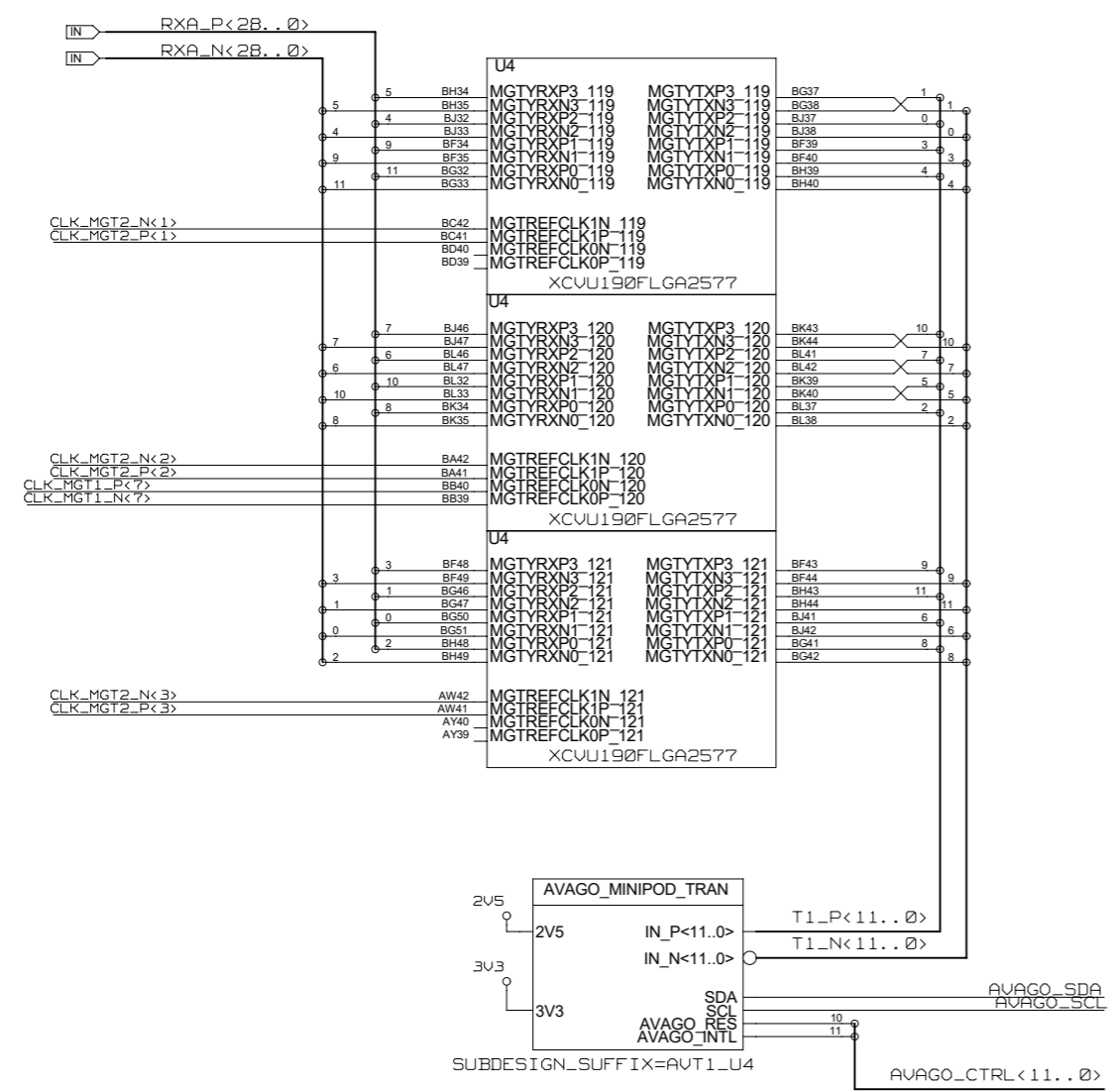


I2C ADDRESS:
R3=XXX R4=XXX
R5=XXX R6=XXX
R7=XXX R8=XXX

BANK
R3
R4
R5
R6
R7
R8

NAME	DATE	SIGN	DRAWING TITLE
CHECKED J.V. DE SOUZA			AVAGO + TXB
CHECKED U.SCHAEFER			
CHECKED S.RAVE			
DRAWN BAUSS	07.08.2015		
BLOCK TITLE			DRAWING NO.
U4_MGT_REAL_TIME			SCALE
UNIVERSITY OF MAINZ			SHEET 4 OF 7

REVISIONS				
ZONE	LTR	DESCRIPTION	DATE	APPR.

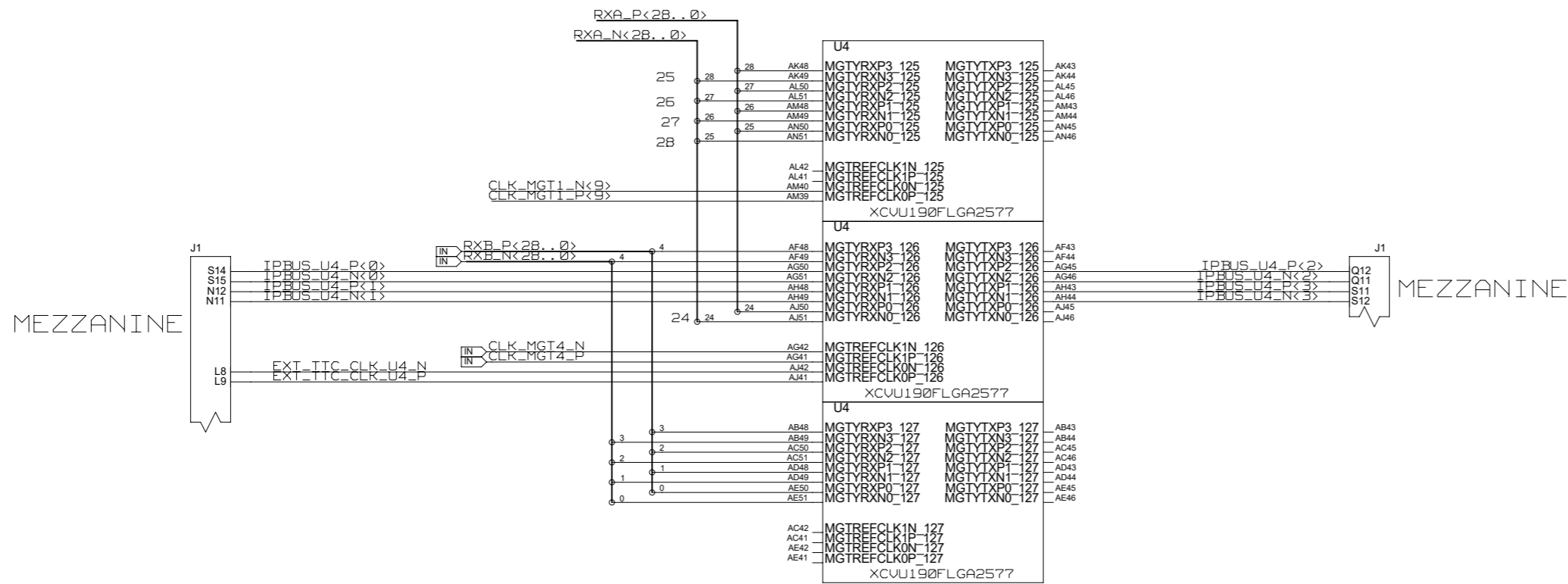


I2C ADDRESS:
R3=XXX R4=XXX
R5=XXX R6=XXX
R7=XXX R8=XXX

BANK
110
120
130
140
150
160
170
180
190

CHECKED	J.V.DE SOUZA			DRAWING TITLE AVAGO + RXA
CHECKED	U.SCHAEFER			
CHECKED	S.RAVE			
DRAWN	BAUSS	07.08.2015		
BLOCK TITLE U4_MGT_REAL_TIME				
UNIVERSITY OF MAINZ				SIZE C
				REV.
				DRAWING NO.
				SCALE
				SHEET 5 OF 7

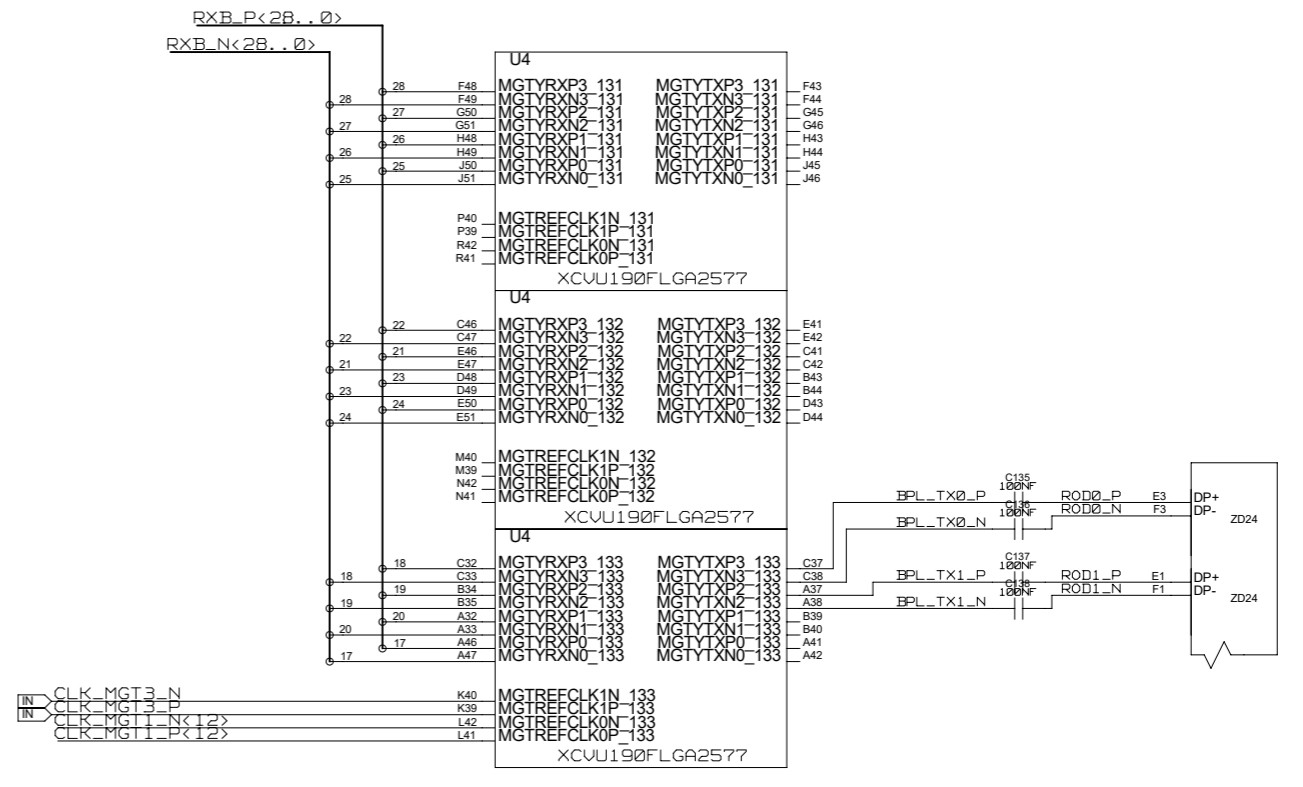
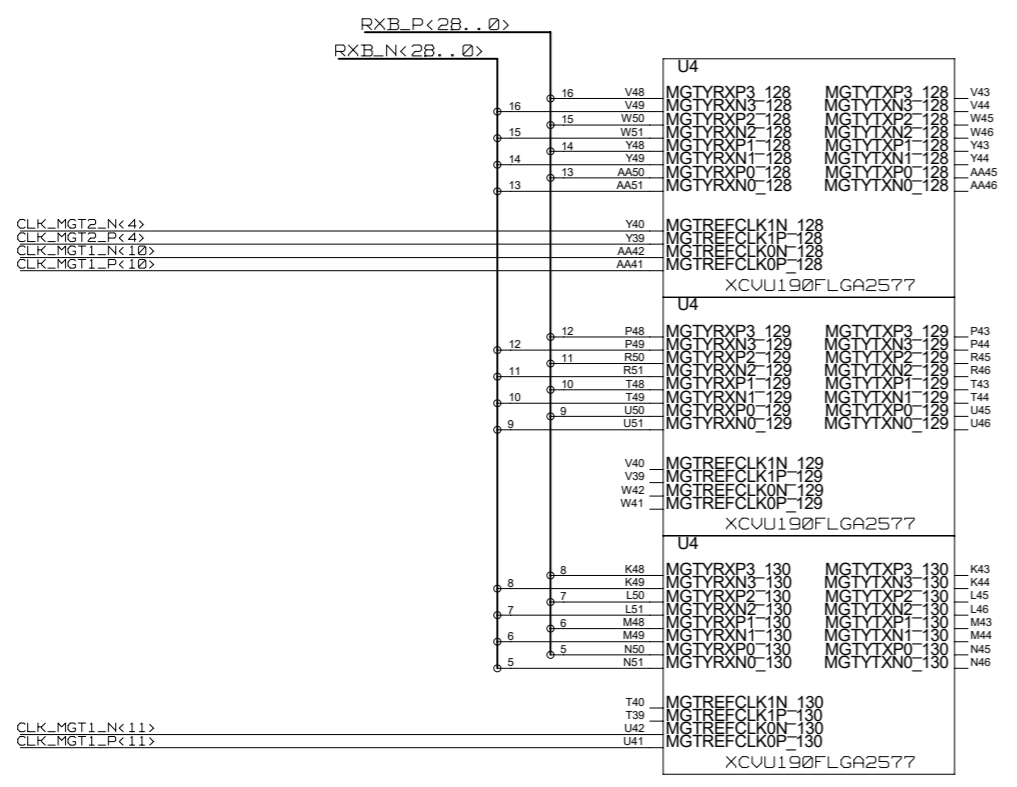
REVISIONS				
ZONE	LTR	DESCRIPTION	DATE	APPR.



BANK
125
126
127

CHECKED	J. V. DE SOUZA			DRAWING TITLE RXA + RXB TXD + IPBUS
CHECKED	U. SCHAEFER			
CHECKED	S. RAVE			
DRAWN	BAUSS	07.08.2015		
BLOCK TITLE U4_MGT_REAL_TIME				
UNIVERSITY OF MAINZ				SIZE C
				REV.
				DRAWING NO.
				SCALE
				SHEET 6 OF 7

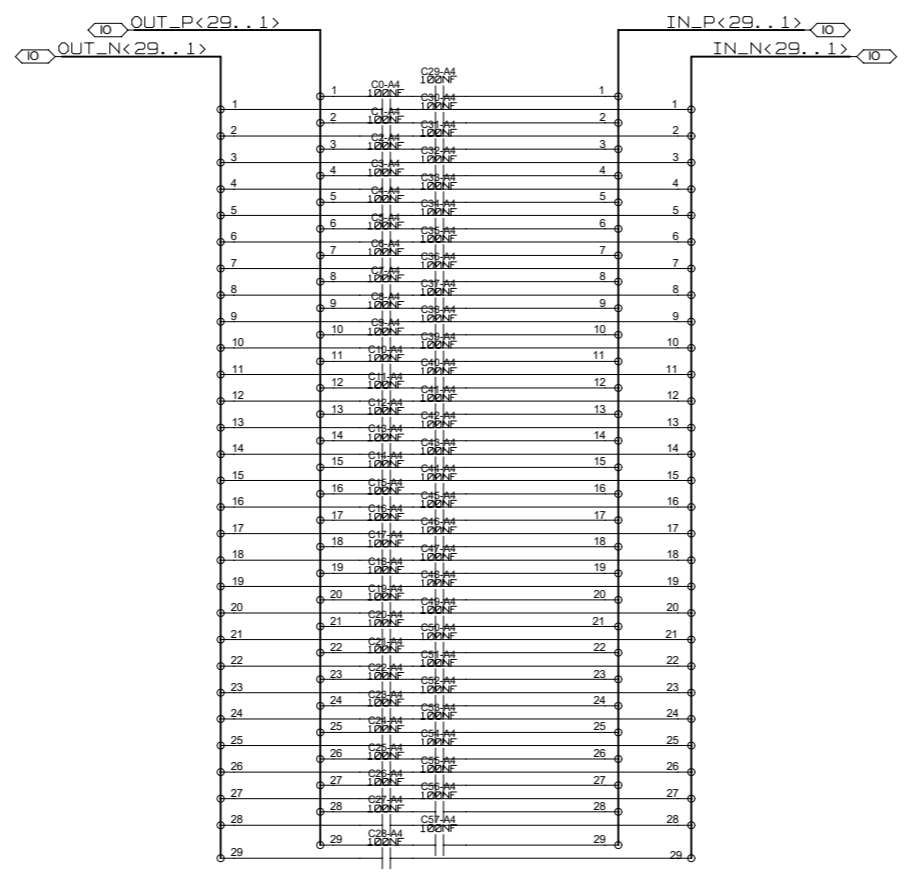
REVISIONS				
ZONE	LTR	DESCRIPTION	DATE	APPR.



BANK
128
129
130
131
132
133
134
135
136
137
138
139
140
141
142
143
144
145
146

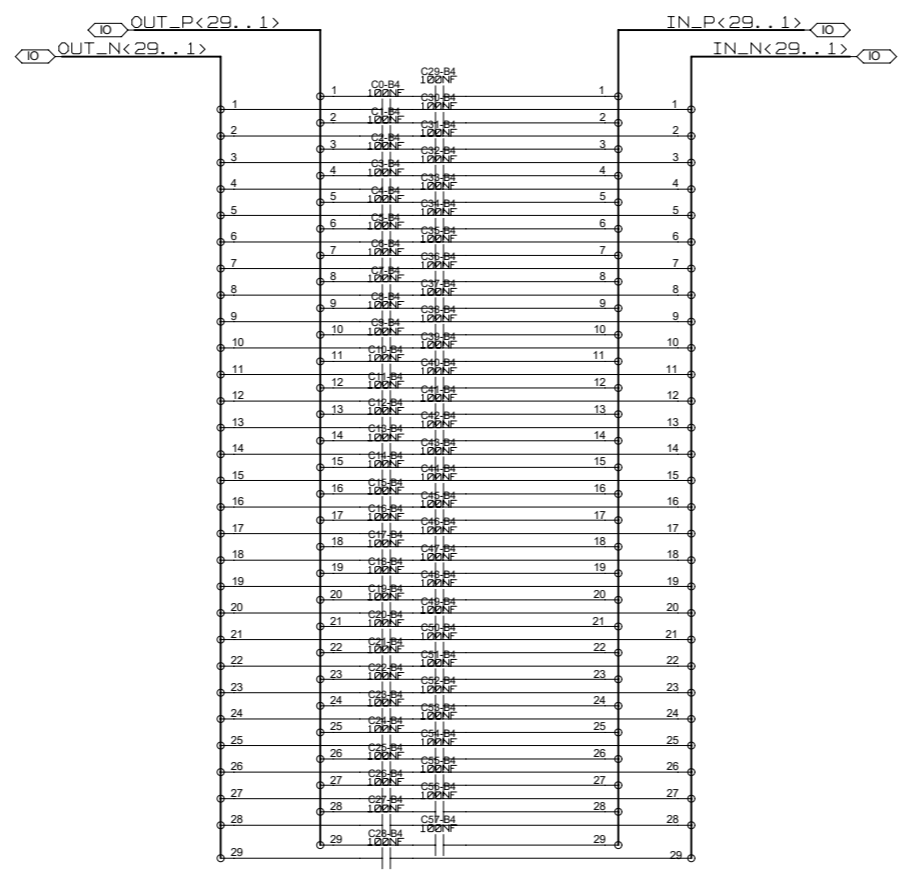
CHECKED	J. V. DE SOUZA			DRAWING TITLE RXB + TXC
CHECKED	U. SCHAEFER			
CHECKED	S. RAVE			
DRAWN	BAUSS	07.08.2015		
BLOCK TITLE U4_MGT_REAL_TIME				
UNIVERSITY OF MAINZ		SIZE C	REV.	DRAWING NO.
SCALE				SHEET 7 OF 7

REVISIONS				
ZONE	LTR	DESCRIPTION	DATE	APPR.



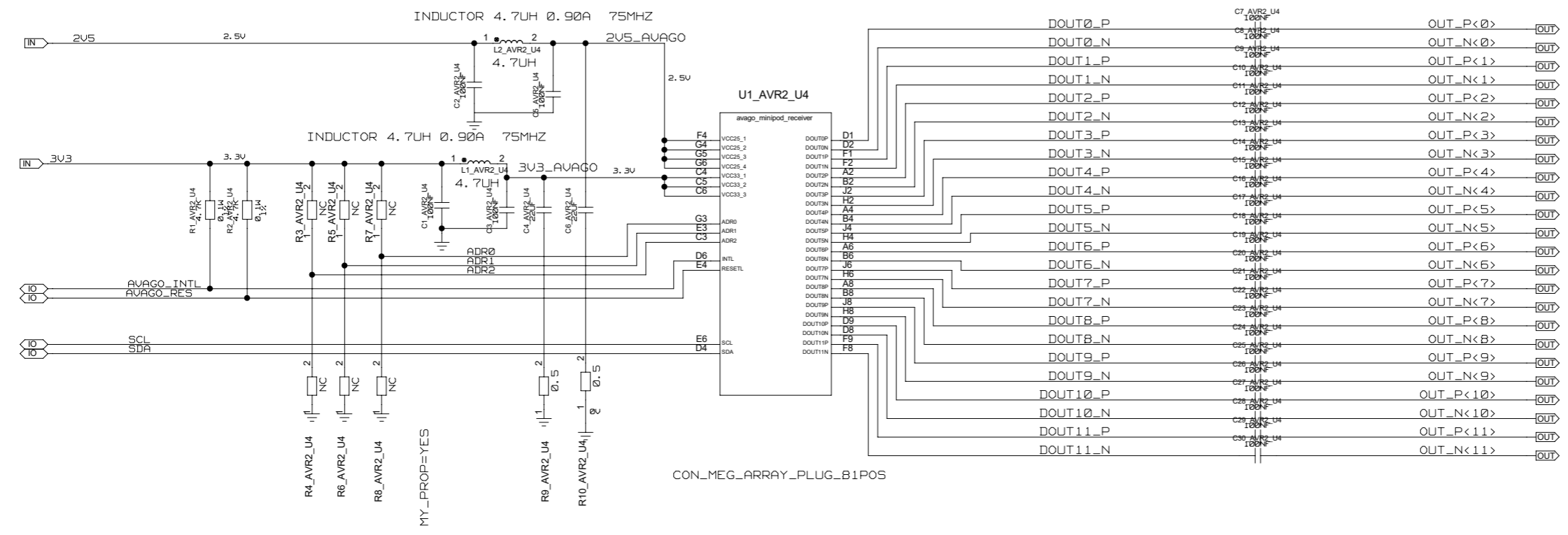
CHECKED	NAME	DATE	SIGN	DRAWING TITLE	
CHECKED	J.V.DE SOUZA			AC COUPLING 29BIT	
CHECKED	U.SCHAEFER				
CHECKED	S.RAVE				
DRAWN	BAUSS			BLOCK TITLE	
UNIVERSITY OF MAINZ				SIZE	DRAWING NO.
				C	REV.
SCALE				SHEET	OF

REVISIONS				
ZONE	LTR	DESCRIPTION	DATE	APPR.



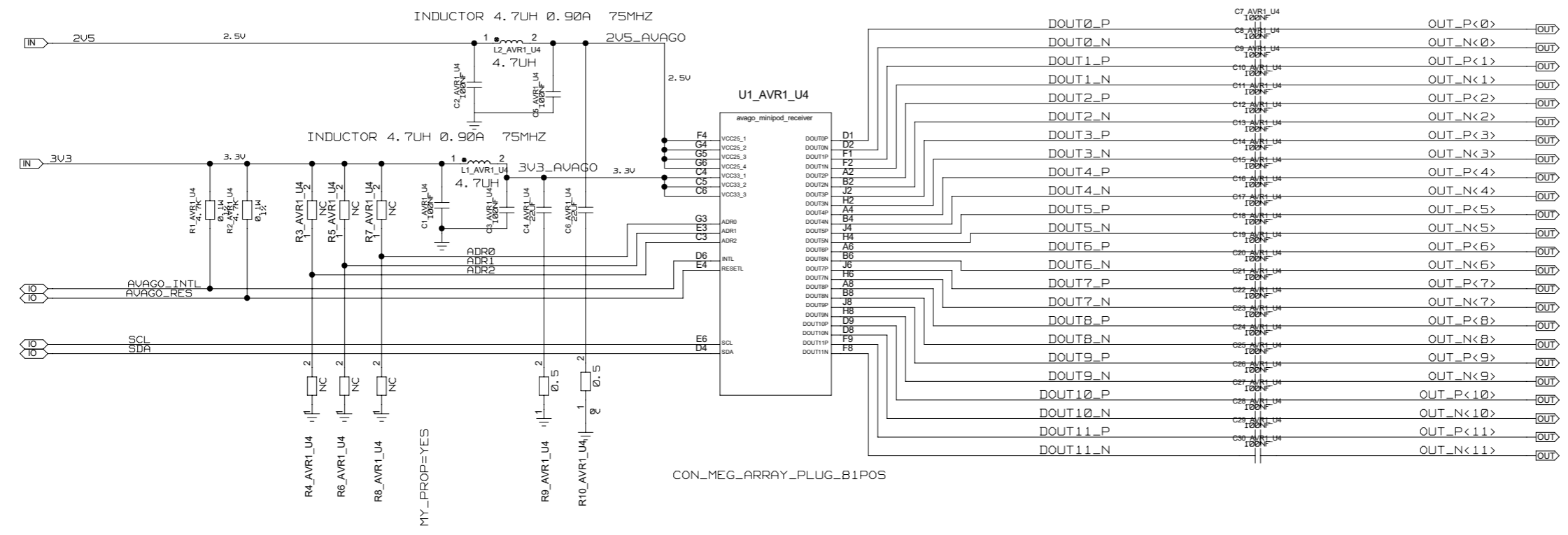
CHECKED	NAME	DATE	SIGN	DRAWING TITLE	
CHECKED	J.V.DE SOUZA			AC COUPLING 29BIT	
CHECKED	U.SCHAEFER				
CHECKED	S.RAVE				
DRAWN	BAUSS			BLOCK TITLE	
UNIVERSITY OF MAINZ				SIZE	DRAWING NO.
				C	REV.
SCALE				SHEET	OF

REVISIONS				
ZONE	LTR	DESCRIPTION	DATE	APPR.



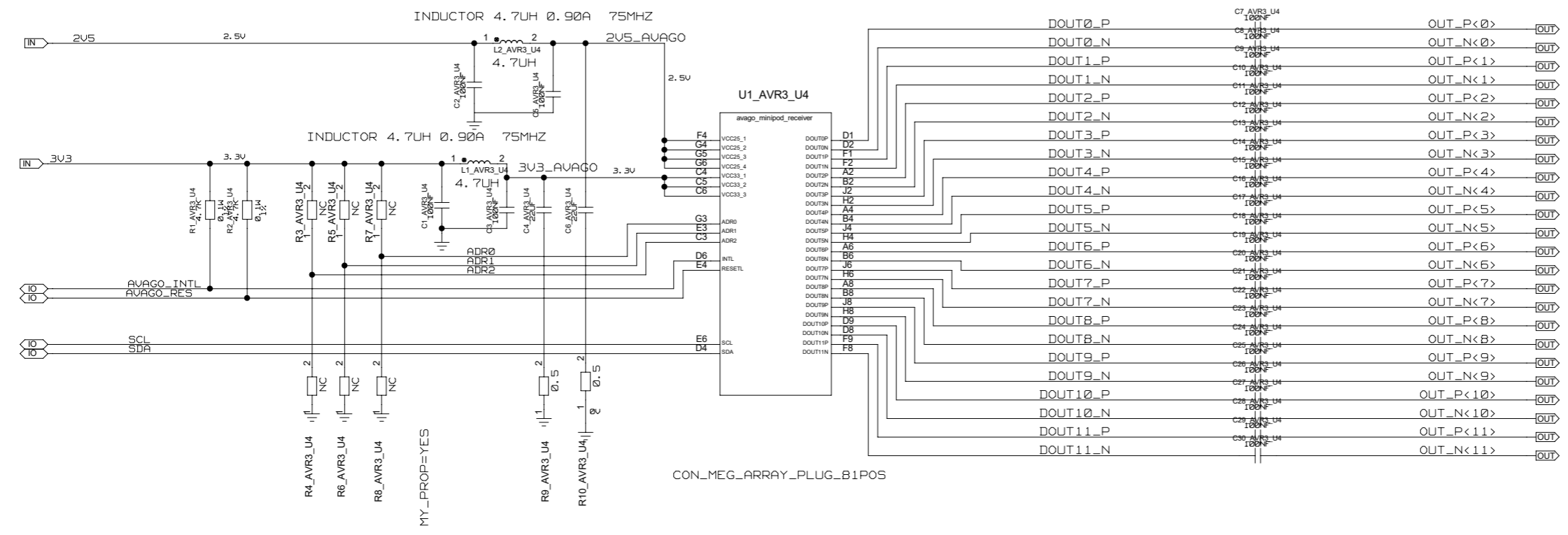
NAME	DATE	SIGN	DRAWING TITLE						
CHECKED J. V. DE SOUZA			AVAGO RECEIVER						
CHECKED U. SCHAEFER									
CHECKED S. RAVE									
DRAWN BAUSS									
BLOCK TITLE									
UNIVERSITY OF MAINZ			<table border="1"> <tr> <td>SIZE</td> <td>REV.</td> <td>DRAWING NO.</td> </tr> <tr> <td>SCALE</td> <td></td> <td>SHEET OF</td> </tr> </table>	SIZE	REV.	DRAWING NO.	SCALE		SHEET OF
SIZE	REV.	DRAWING NO.							
SCALE		SHEET OF							

REVISIONS				
ZONE	LTR	DESCRIPTION	DATE	APPR.



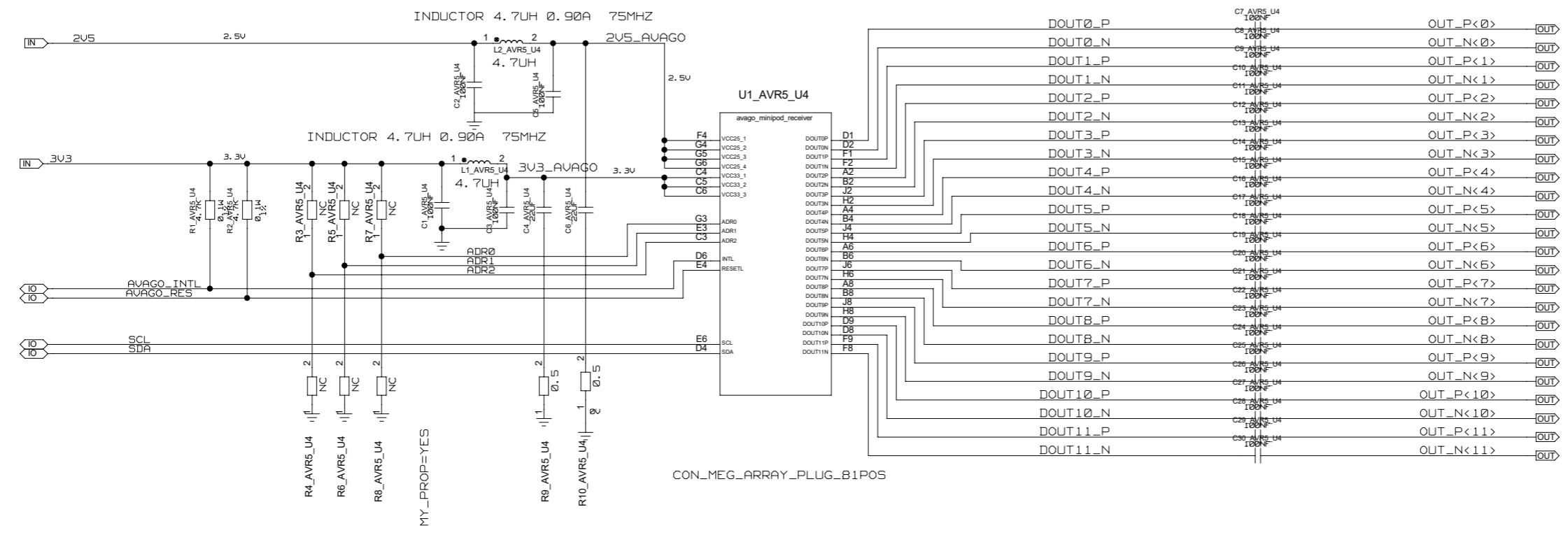
	NAME	DATE	SIGN	DRAWING TITLE	
CHECKED	J. V. DE SOUZA			AVAGO RECEIVER	
CHECKED	U. SCHAEFER				
CHECKED	S. RAVE				
DRAWN	BAUSS				
BLOCK TITLE				SIZE	REV.
UNIVERSITY OF MAINZ				C	
				DRAWING NO.	
SCALE					SHEET OF

REVISIONS				
ZONE	LTR	DESCRIPTION	DATE	APPR.



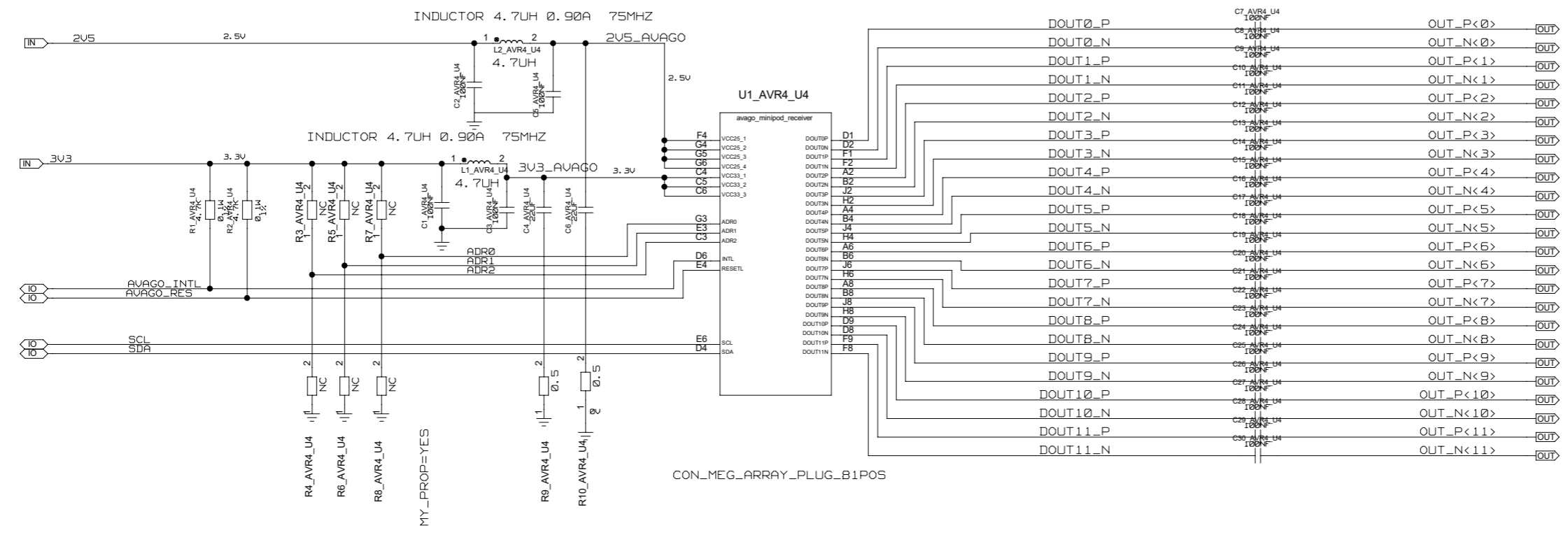
	NAME	DATE	SIGN	DRAWING TITLE	
CHECKED	J. V. DE SOUZA			AVAGO RECEIVER	
CHECKED	U. SCHAEFER				
CHECKED	S. RAVE				
DRAWN	BAUSS				
BLOCK TITLE				SIZE	DRAWING NO.
UNIVERSITY OF MAINZ				C REV.	
SCALE					SHEET OF

REVISIONS				
ZONE	LTR	DESCRIPTION	DATE	APPR.



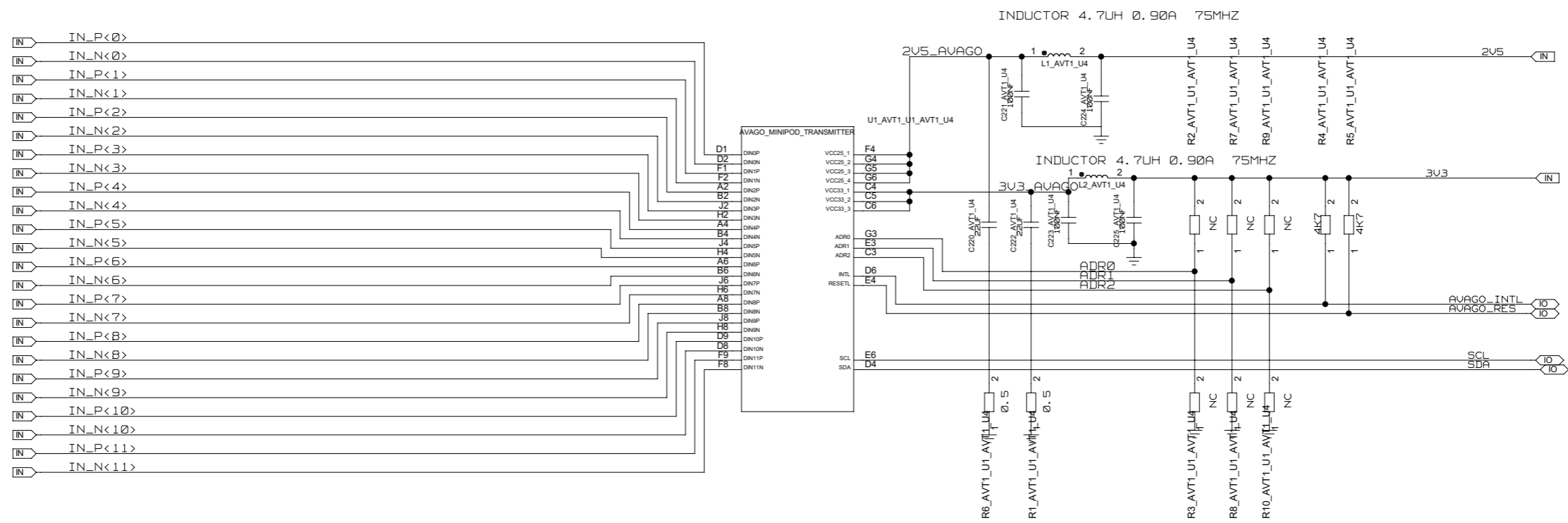
	NAME	DATE	SIGN	DRAWING TITLE AVAGO RECEIVER	
CHECKED	J. V. DE SOUZA				
CHECKED	U. SCHAEFER				
CHECKED	S. RAVE				
DRAWN	BAUSS				
BLOCK TITLE					
UNIVERSITY OF MAINZ				SIZE C	REV.
				DRAWING NO.	
SCALE				SHEET	OF

REVISIONS				
ZONE	LTR	DESCRIPTION	DATE	APPR.



	NAME	DATE	SIGN	DRAWING TITLE	
CHECKED	J. V. DE SOUZA			AVAGO RECEIVER	
CHECKED	U. SCHAEFER				
CHECKED	S. RAVE				
DRAWN	BAUSS				
BLOCK TITLE				SIZE	DRAWING NO.
UNIVERSITY OF MAINZ				C REV.	
SCALE					SHEET OF

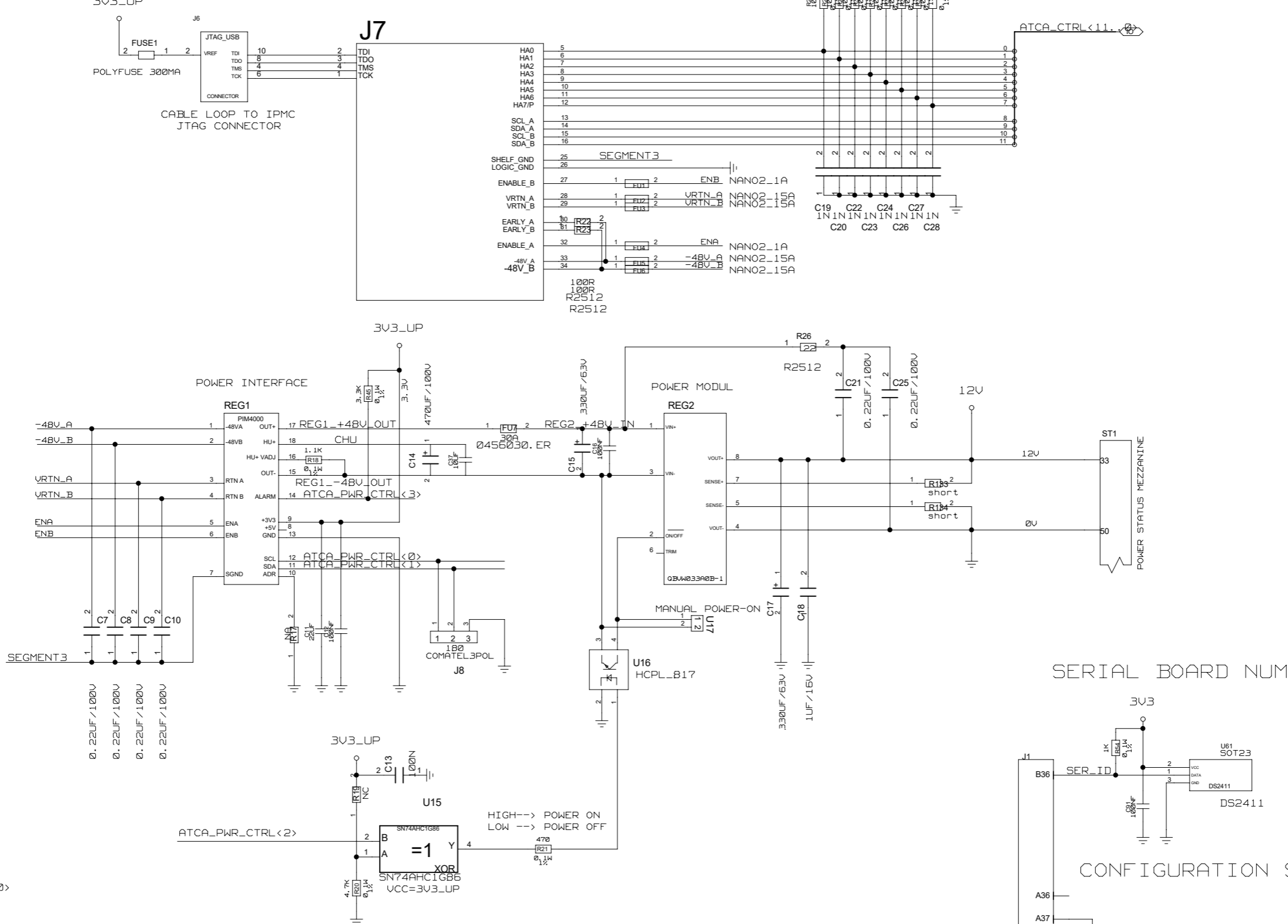
REVISIONS				
ZONE	LTR	DESCRIPTION	DATE	APPR.



CHECKED	J. V. DE SOUZA			DRAWING TITLE AVAGO TRANSMITTER		
CHECKED	U.SCHAEFER					
CHECKED	S.RAVE					
DRAWN	BAUSS					
BLOCK TITLE				SIZE	REV.	DRAWING NO.
UNIVERSITY OF MAINZ				C		
				SCALE		SHEET OF

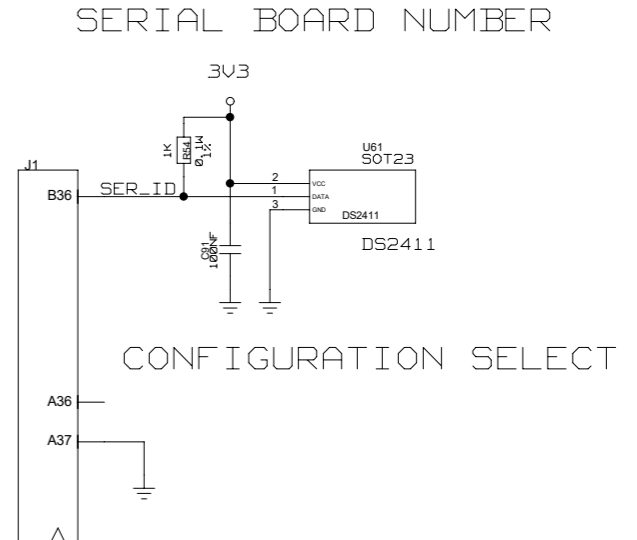
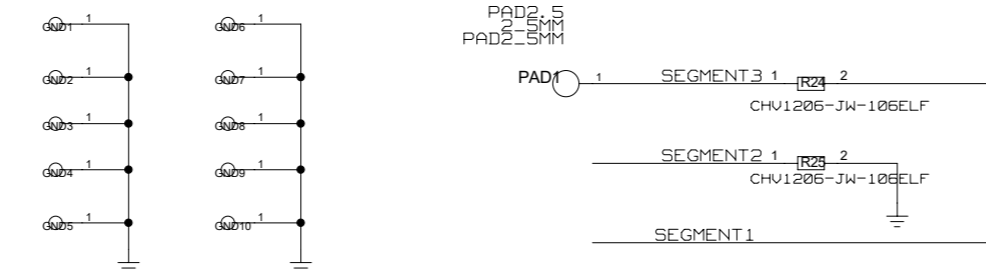
REVISIONS				
ZONE	LTR	DESCRIPTION	DATE	APPR.

ATCA POWER IN & CTRL



ATCA_PWR_CTRL<4..0>

A1 SCL
 A2 SDA
 A3 TMS
 A4 TCK
 A5 VREF
 A6 TDI
 A7 TDO
 A8 TMS
 A9 TCK
 A10
 A11
 A12
 A13
 A14
 A15
 A16
 A17
 A18
 A19
 A20
 A21
 A22
 A23
 A24
 A25
 A26
 A27
 A28
 A29
 A30
 A31
 A32
 A33
 A34
 A35



NAME	DATE	SIGN	DRAWING TITLE
CHECKED	J.V.DE SOUZA		
CHECKED	U.SCHAEFER		
CHECKED	S.RAVE		
DRAWN	BAUSS	03.11.2015	

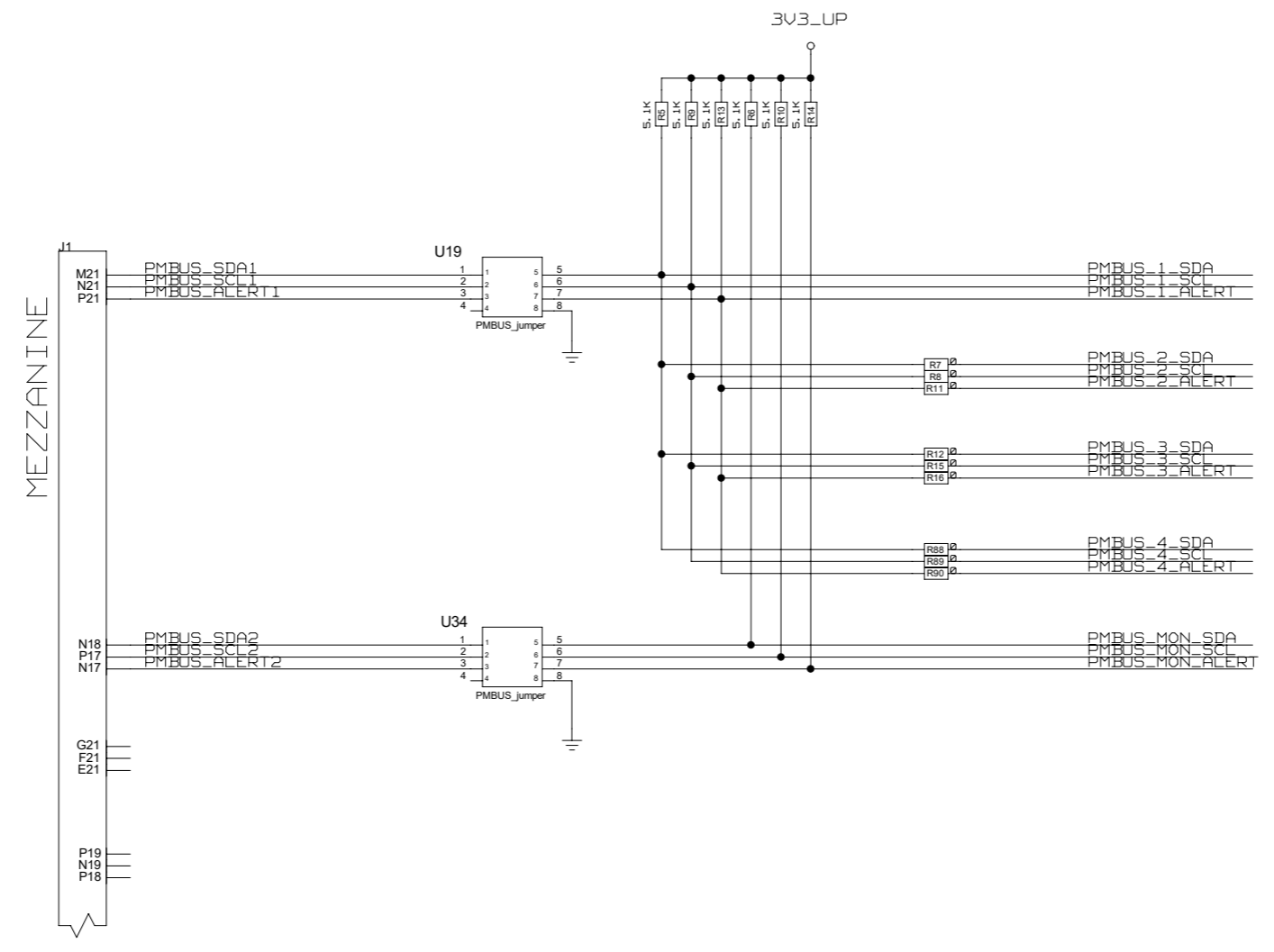
BLOCK TITLE
POWERSUPPLY

UNIVERSITY OF MAINZ

SIZE C	REV.	DRAWING NO.
SCALE		SHEET OF

REVISIONS				
ZONE	LTR	DESCRIPTION	DATE	APPR.

PMBUS CONNECTORS



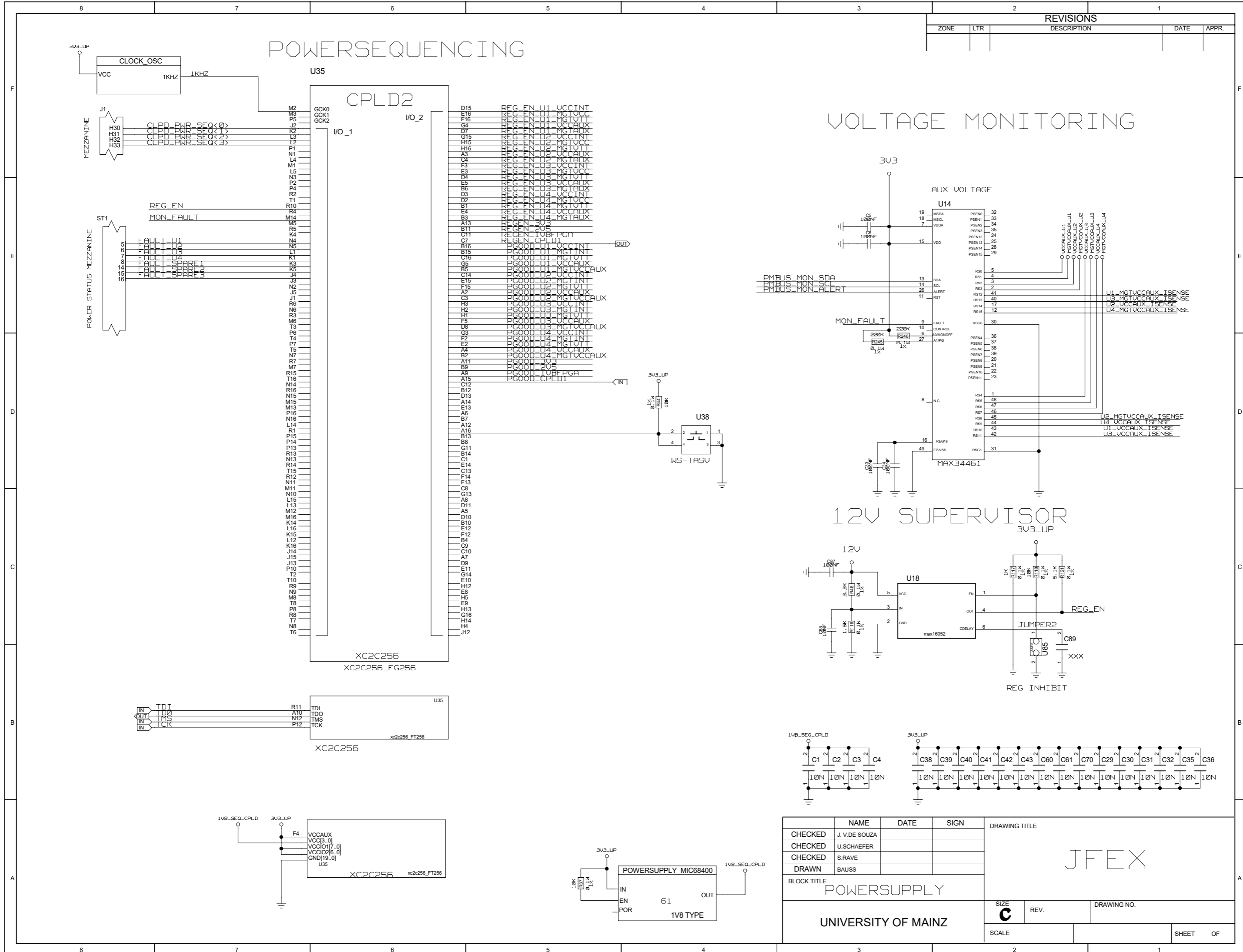
CHECKED	J. V. DE SOUZA			DRAWING TITLE
CHECKED	U. SCHAEFER			
CHECKED	S. RAVE			
DRAWN	BAUSS			
BLOCK TITLE				DRAWING NO.
POWERSUPPLY				
UNIVERSITY OF MAINZ				SIZE
				REV.
				SCALE
				SHEET OF

JFEX

REVISIONS				
ZONE	LTR	DESCRIPTION	DATE	APPR.

POWERSEQUENCING

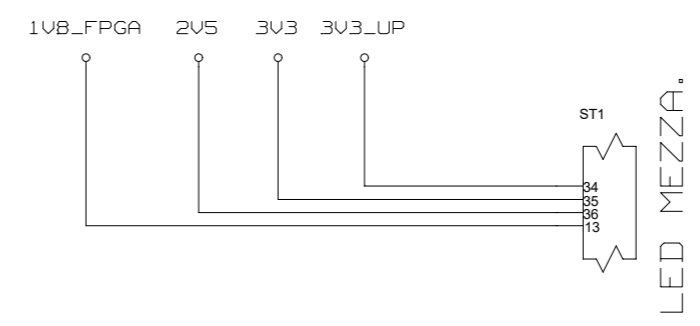
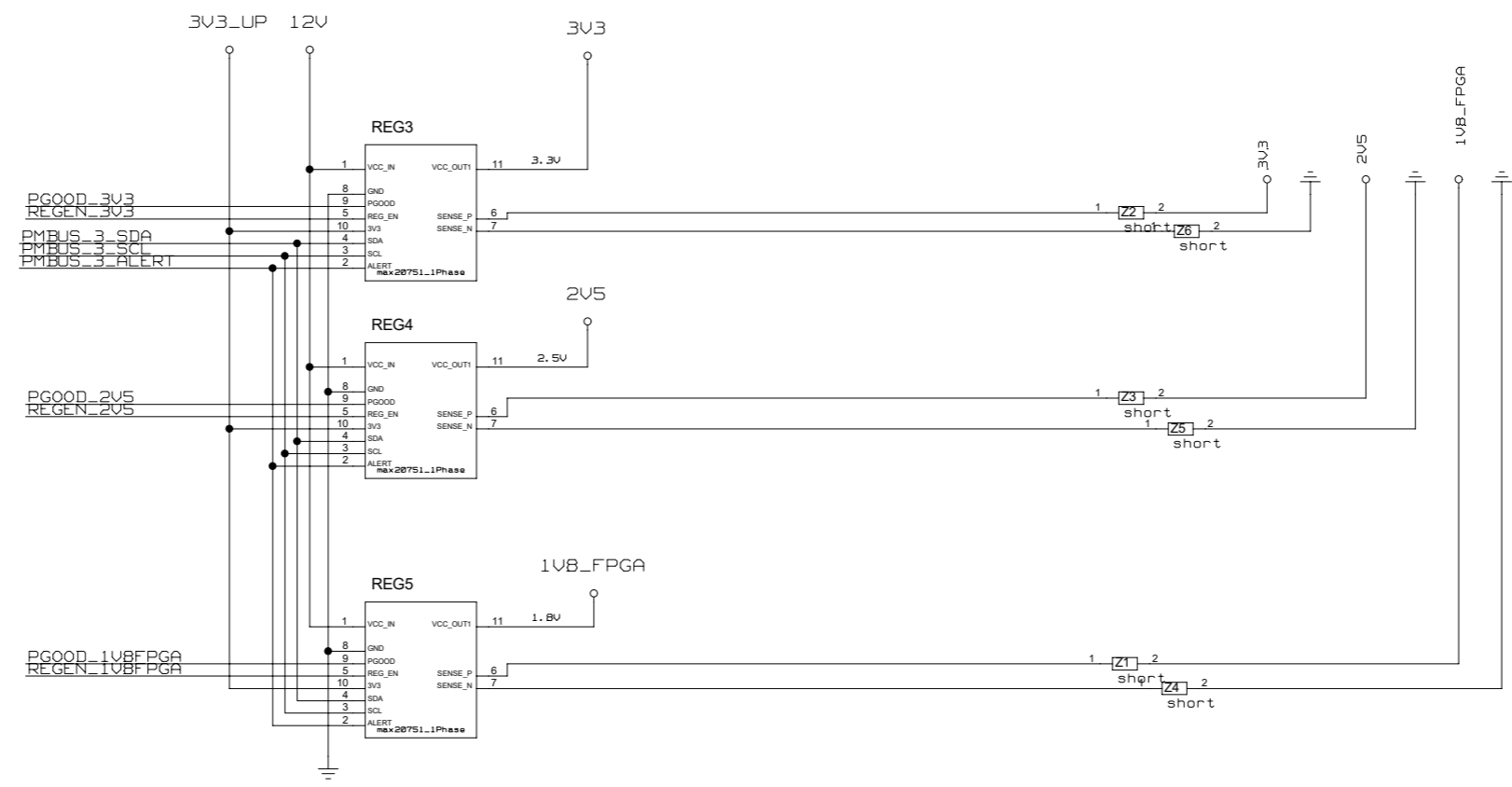
VOLTAGE MONITORING



NAME	DATE	SIGN	DRAWING TITLE
CHECKED J. V. DE SOUZA			JFEX
CHECKED U.SCHAEFER			
CHECKED S.RAVE			
DRAWN BAUSS			
BLOCK TITLE			
UNIVERSITY OF MAINZ			SIZE C REV. DRAWING NO.
SCALE		SHEET OF	

REVISIONS				
ZONE	LTR	DESCRIPTION	DATE	APPR.

BOARDLEVEL 1V8, 2V5, 3V3

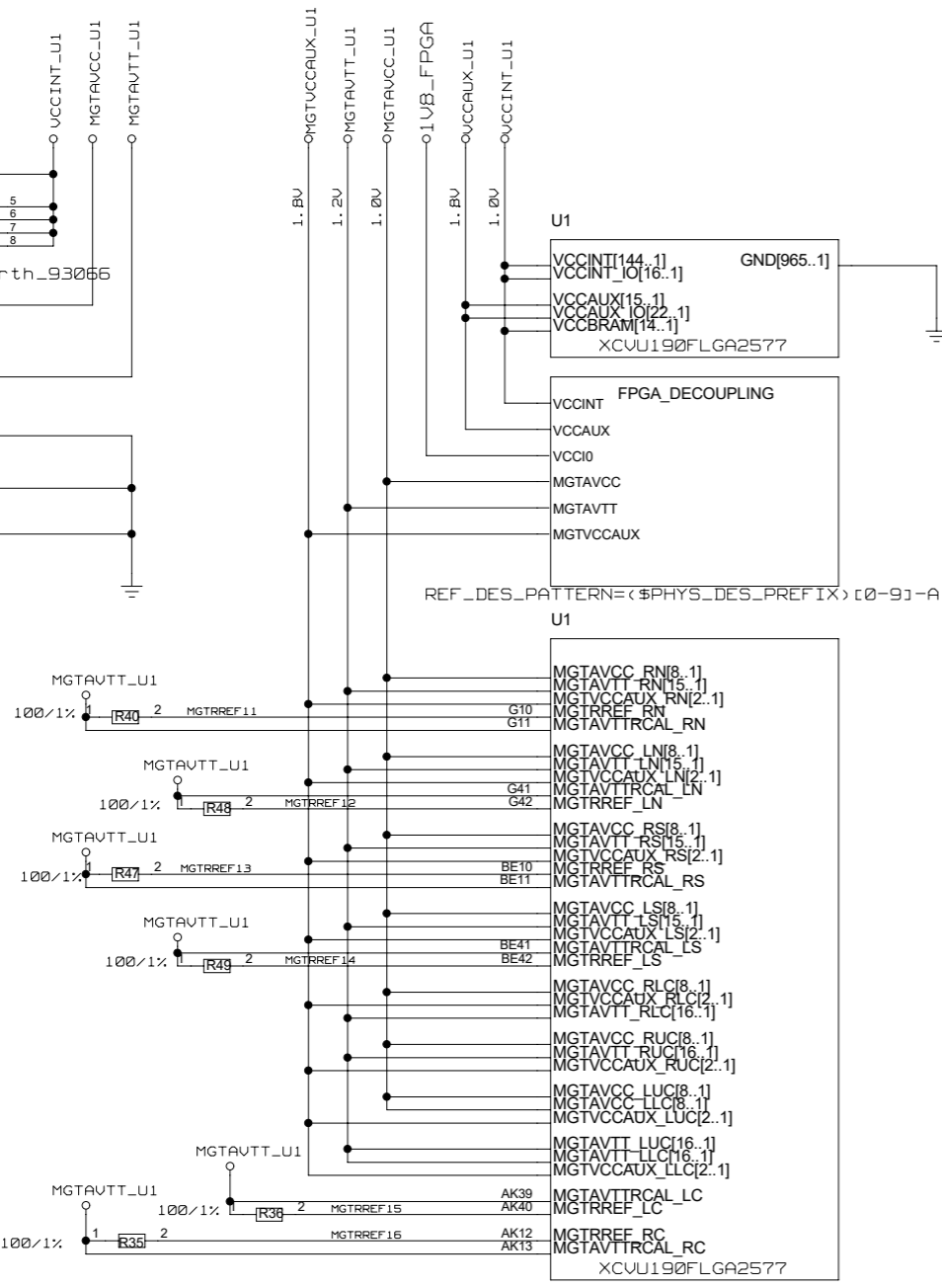
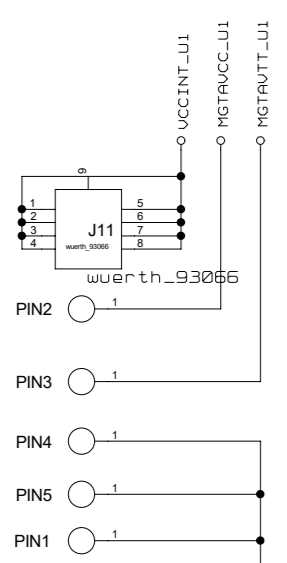


NAME	DATE	SIGN	DRAWING TITLE	
CHECKED J. V. DE SOUZA			JFEX	
CHECKED U. SCHAEFER				
CHECKED S. RAVE				
DRAWN BAUSS				
BLOCK TITLE			SIZE	REV.
POWERSUPPLY			C	
UNIVERSITY OF MAINZ			DRAWING NO.	
SCALE			SHEET OF	

POWERSUPPLIES U1 + DECOUPLING U1

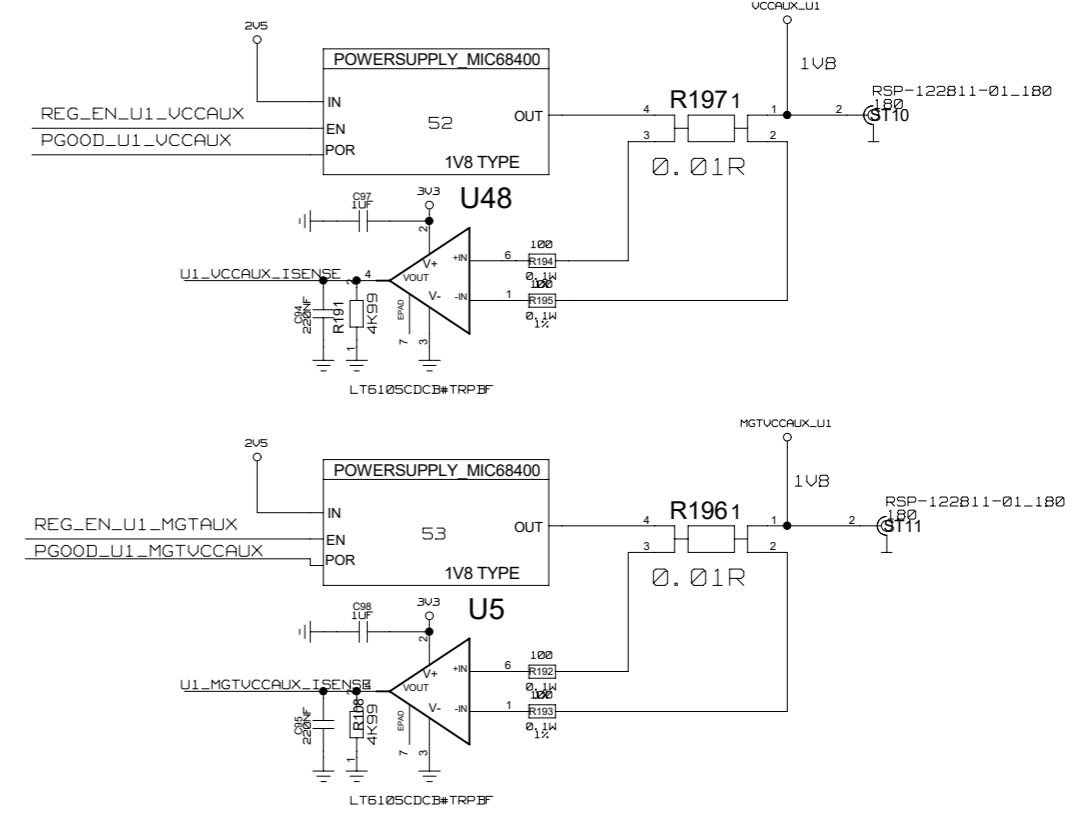
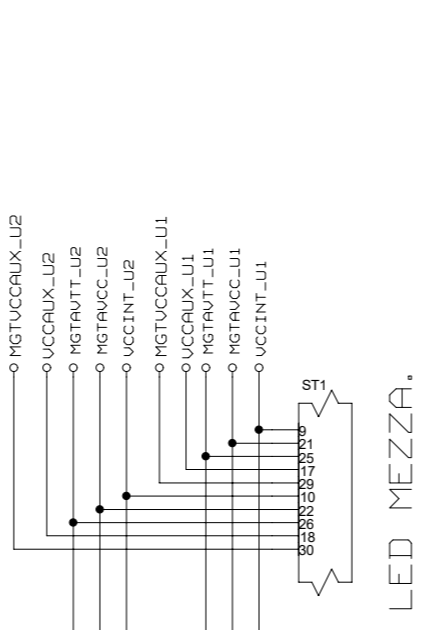
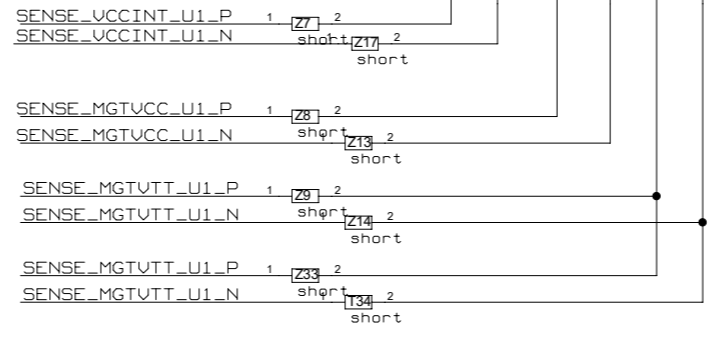
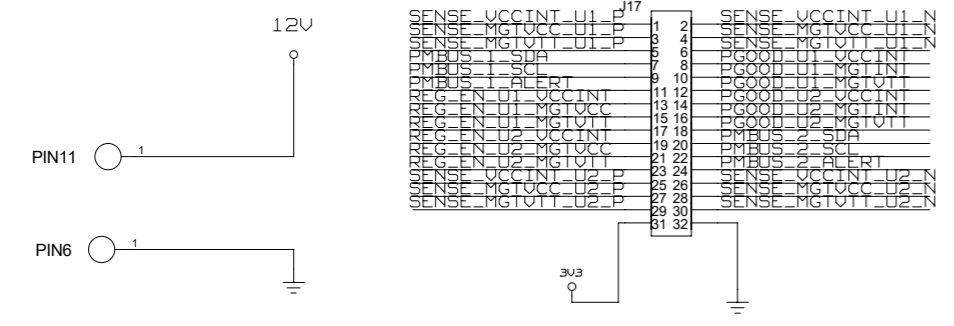
REVISIONS				
ZONE	LTR	DESCRIPTION	DATE	APPR.

POWERCONNECTORS



TRACE LENGTH FROM RESISTOR PINS
TO PIN SAME LENGTH
UG576 SHEET 297

POWERPANEL



NAME	DATE	SIGN	DRAWING TITLE
CHECKED	J.V. DE SOUZA		
CHECKED	U.SCHAEFER		
CHECKED	S.RAVE		
DRAWN	BAUSS		

BLOCK TITLE: POWERSUPPLY

UNIVERSITY OF MAINZ

SIZE: C

SCALE: REV.:

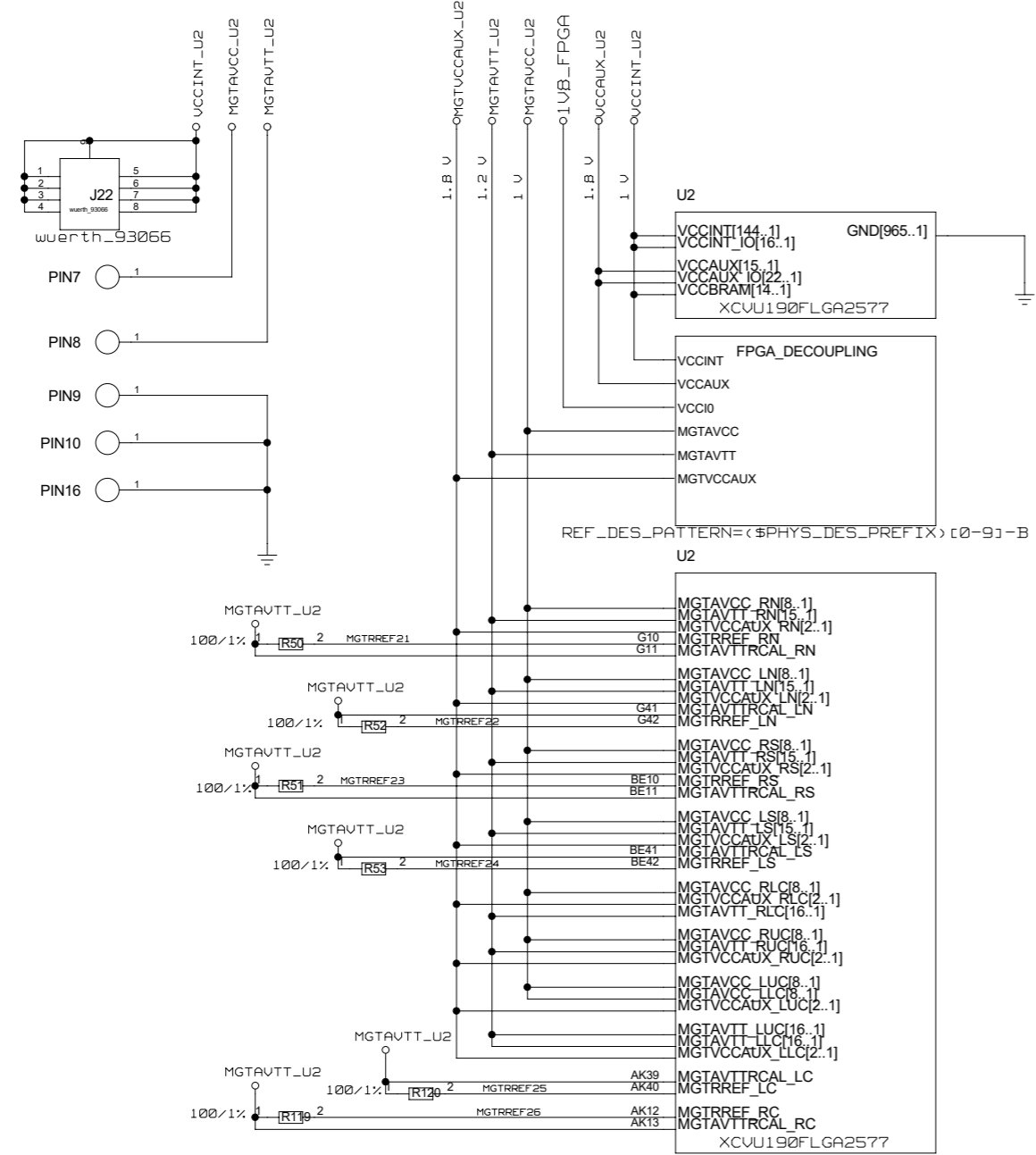
DRAWING NO.:

SHEET OF

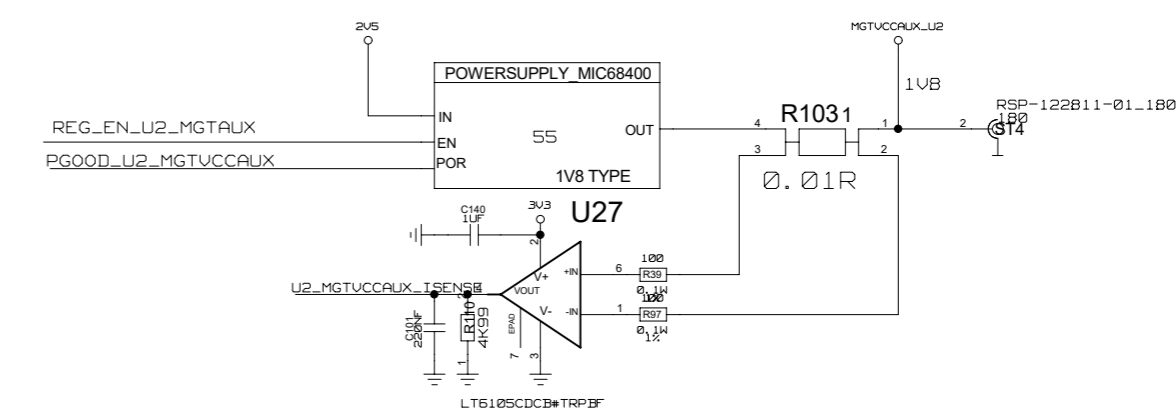
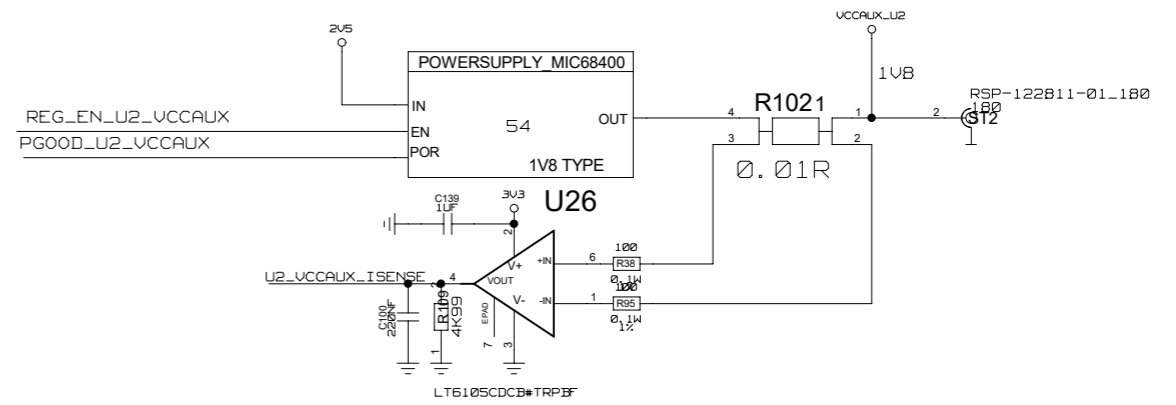
REVISIONS				
ZONE	LTR	DESCRIPTION	DATE	APPR.

POWERSUPPLIES U2 + DECOUPLING U2

POWERCONNECTORS



TRACE LENGTH FROM RESISTOR PINS TO PIN SAME LENGTH
UG576 SHEET 297

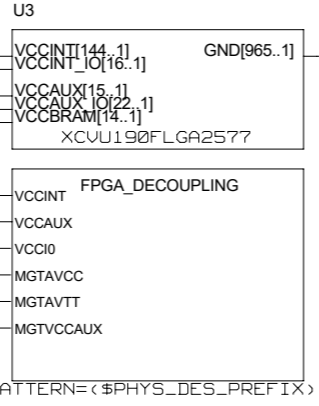
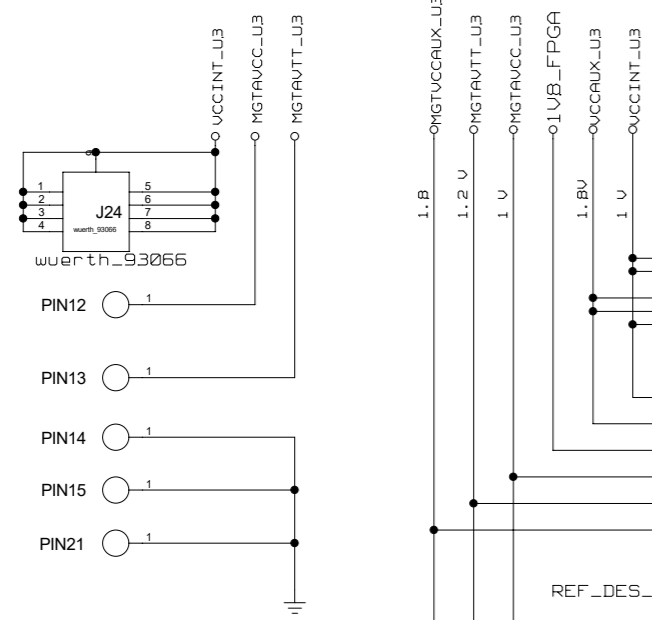


NAME	DATE	SIGN	DRAWING TITLE
CHECKED J.V.DE SOUZA			JFEX
CHECKED U.SCHAEFER			
CHECKED S.RAVE			
DRAWN BAUSS			
BLOCK TITLE			
UNIVERSITY OF MAINZ			SIZE C
			REV.
			DRAWING NO.
			SCALE
			SHEET OF

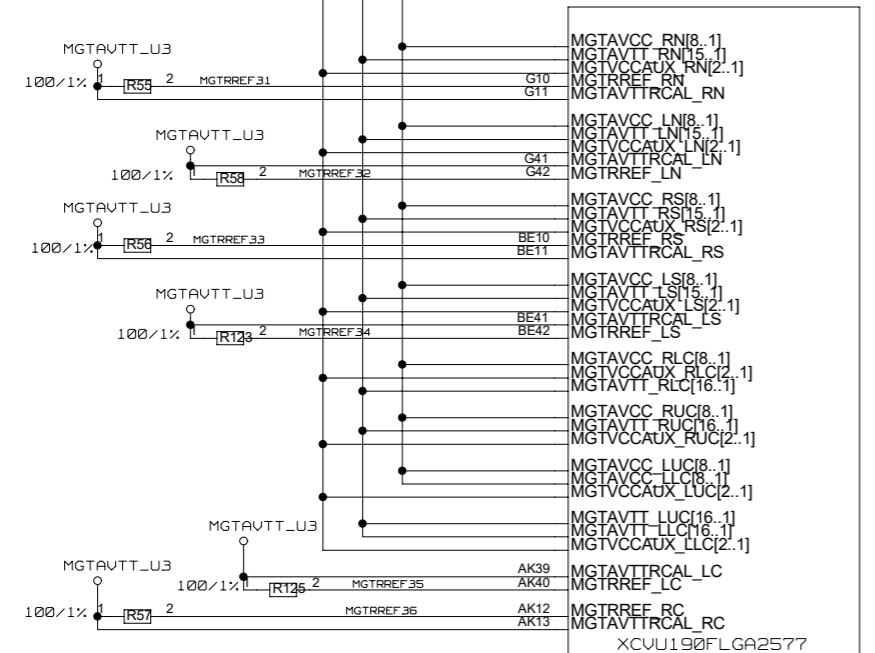
POWERSUPPLIES U3 + DECOUPLING U3

REVISIONS				
ZONE	LTR	DESCRIPTION	DATE	APPR.

POWERCONNECTORS

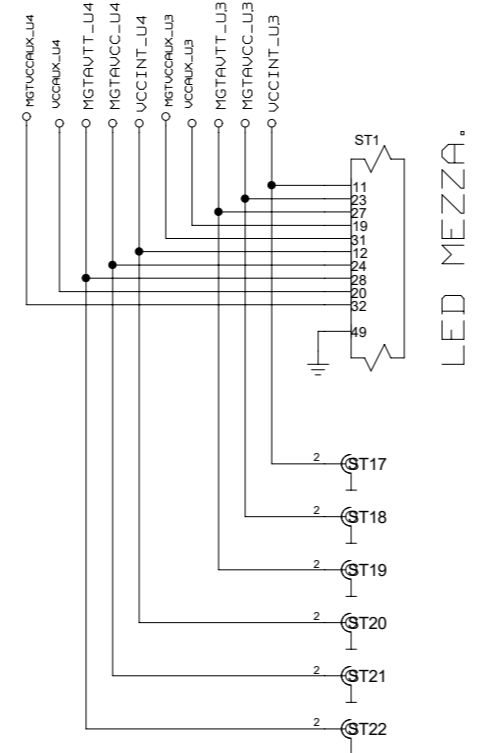
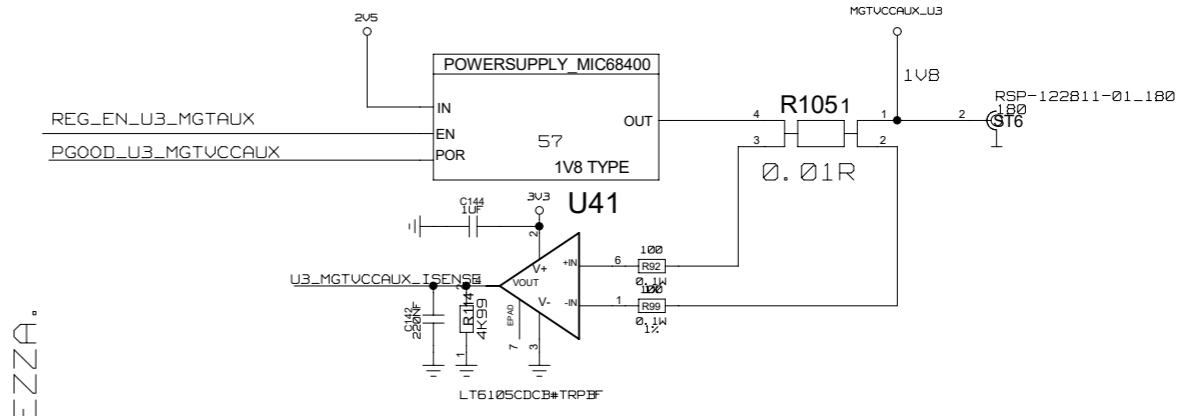
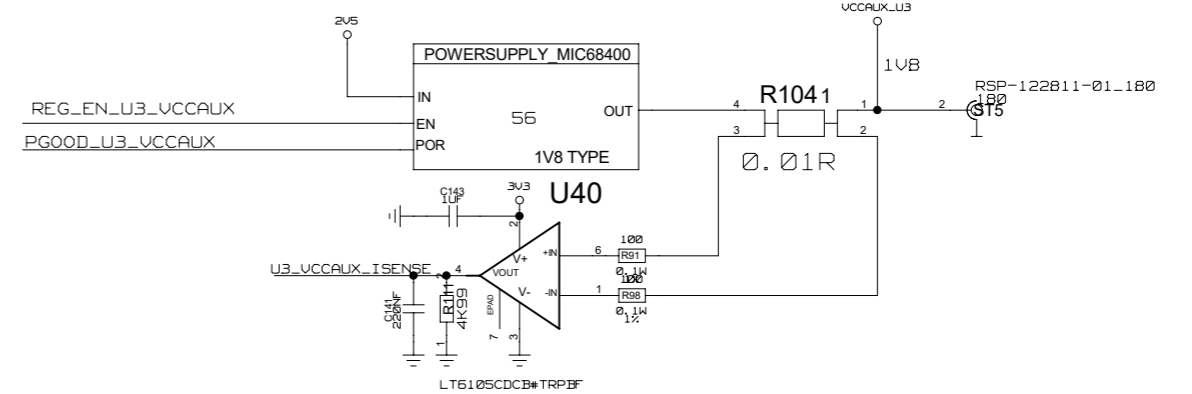
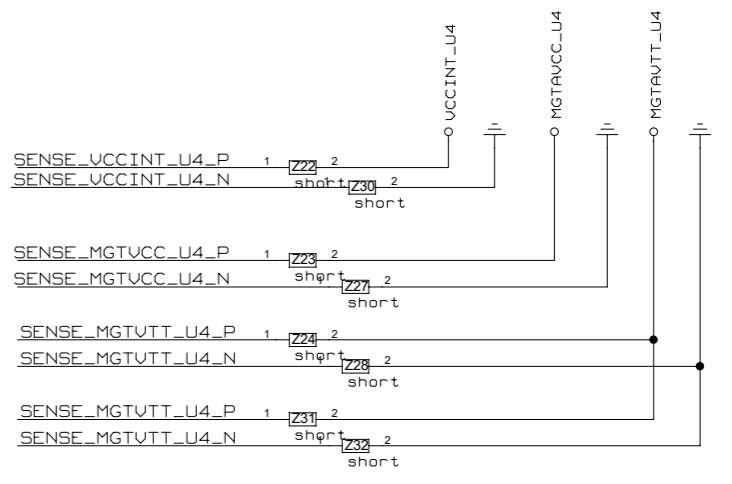
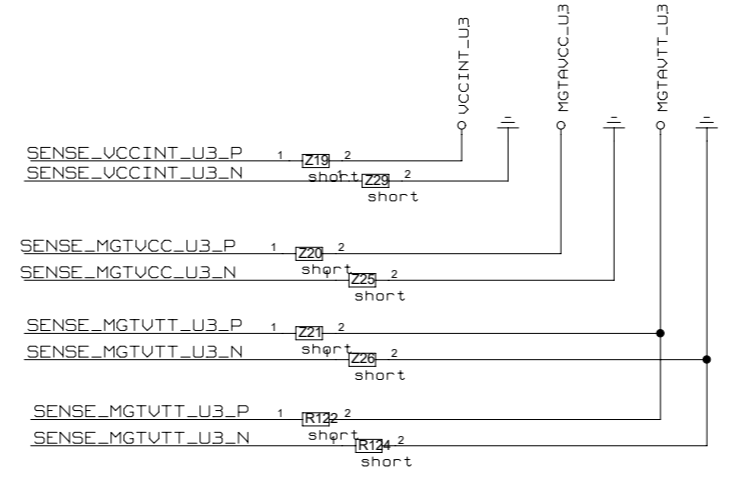
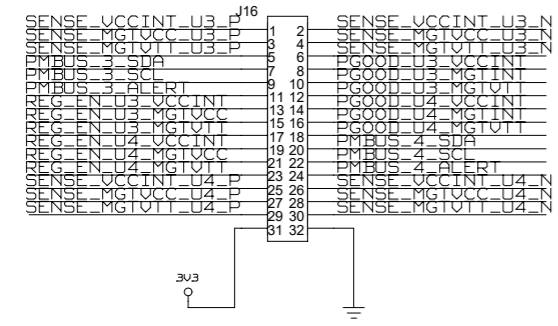


REF_DES_PATTERN=(\$PHYS_DES_PREFIX) [0-9]-C



TRACE LENGTH FROM RESISTOR PINS
TO PIN SAME LENGTH
UG576 SHEET 297

POWERPANEL



NAME	DATE	SIGN	DRAWING TITLE
CHECKED	J.V. DE SOUZA		
CHECKED	U.SCHAEFER		
CHECKED	S.RAVE		
DRAWN	BAUSS		

BLOCK TITLE		DRAWING NO.	
POWERSUPPLY			
SIZE	REV.	DRAWING NO.	
C			
SCALE			SHEET OF

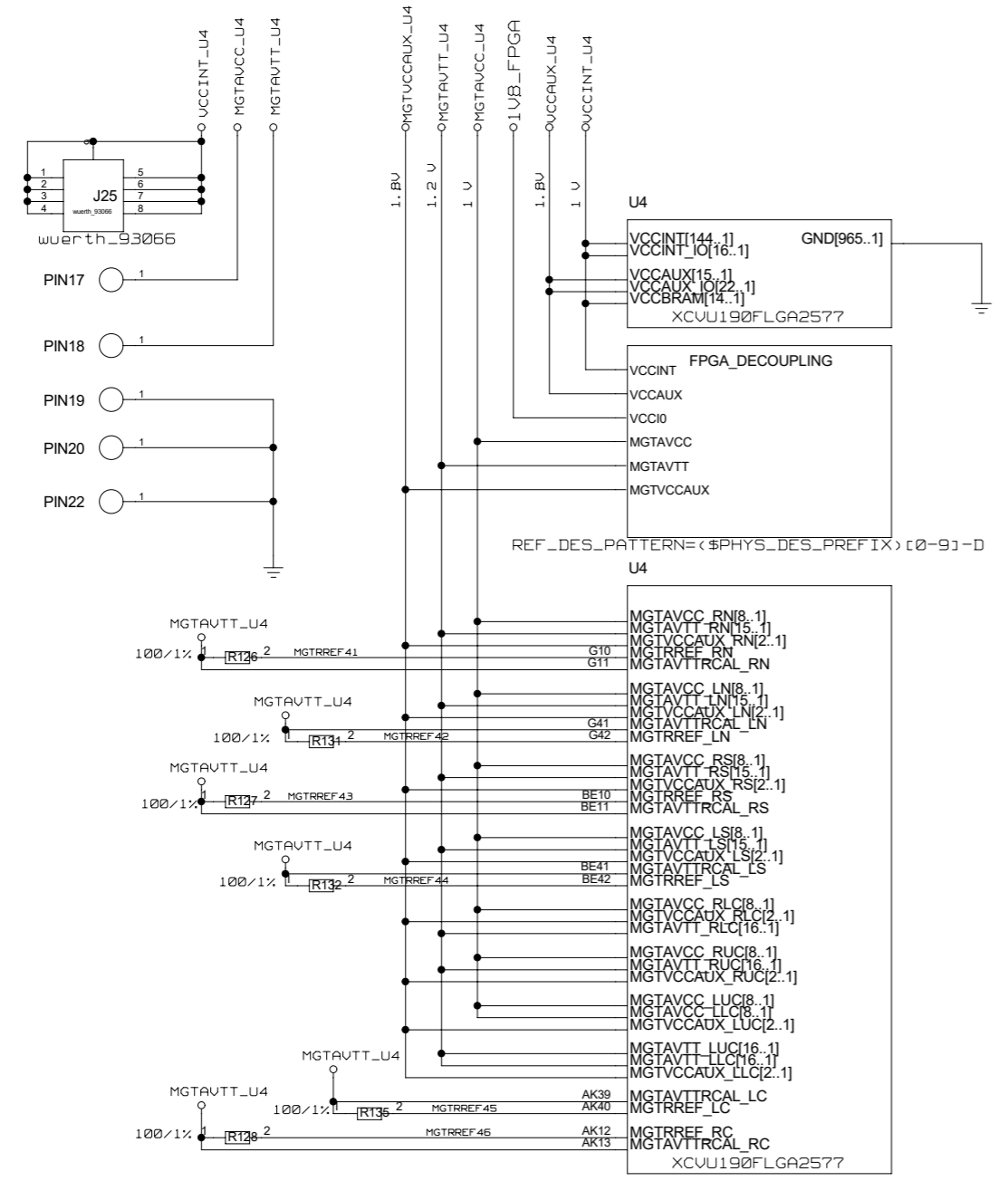
UNIVERSITY OF MAINZ

JFEX

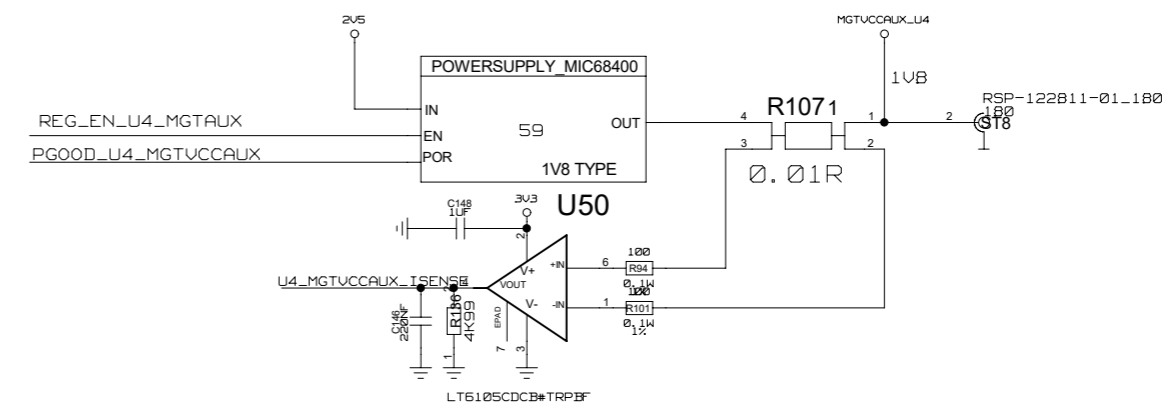
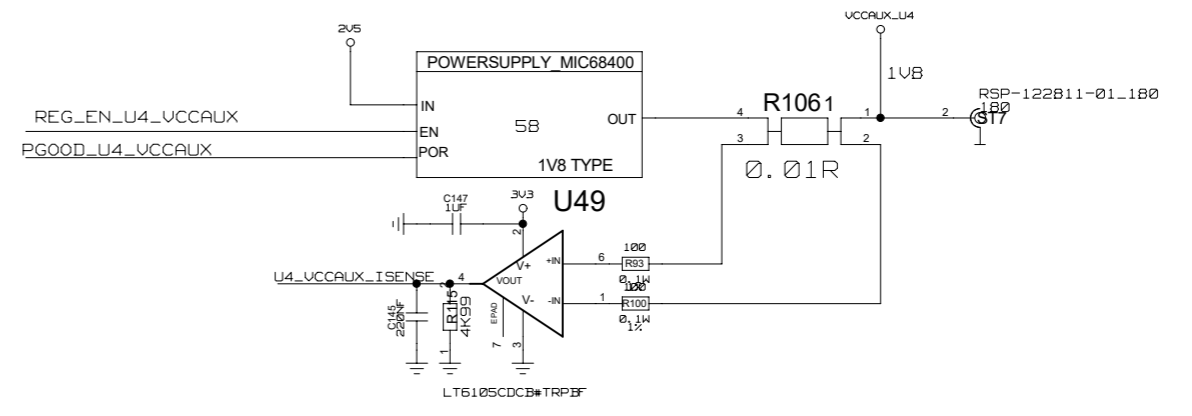
REVISIONS				
ZONE	LTR	DESCRIPTION	DATE	APPR.

POWERSUPPLIES U4 + DECOUPLING U4

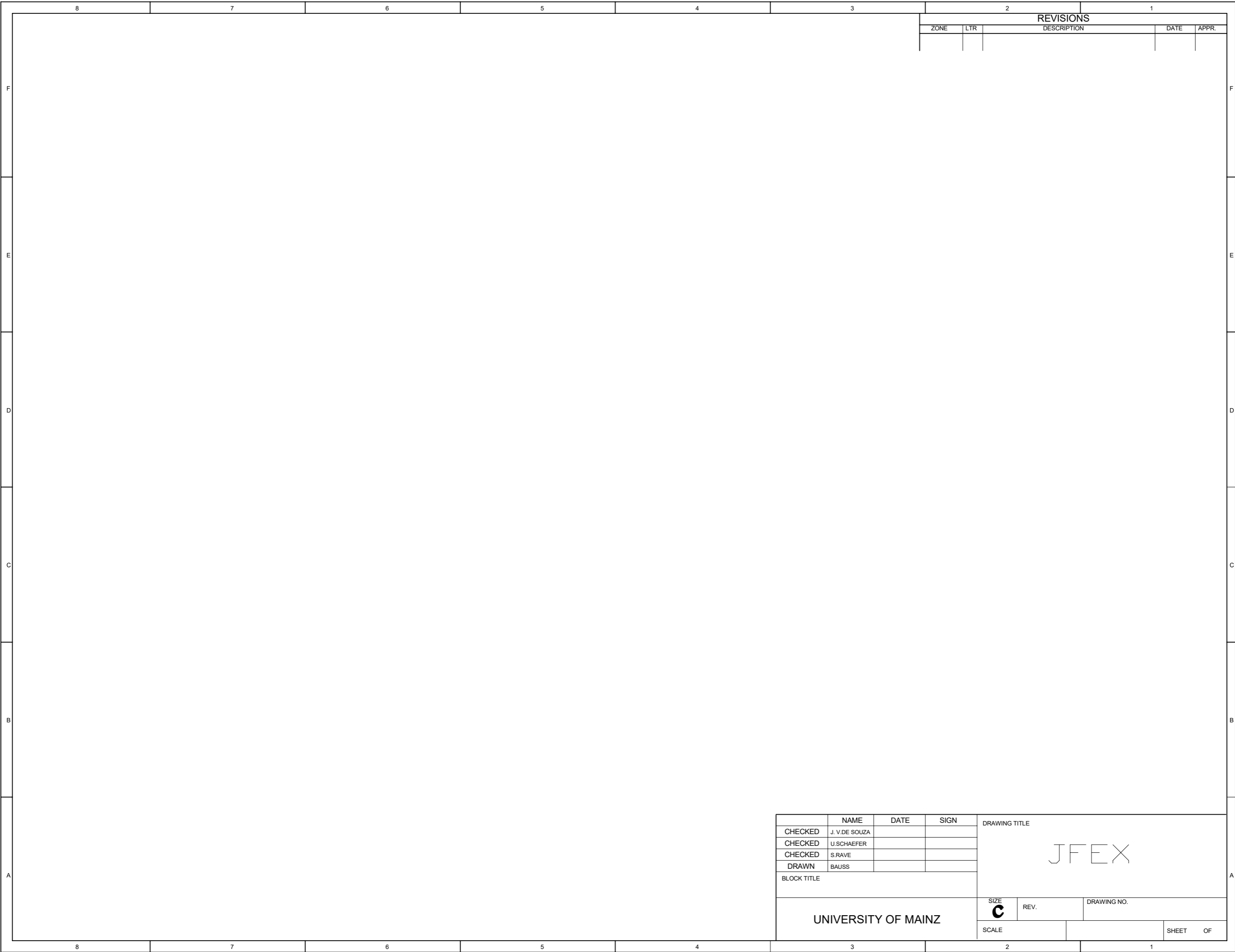
POWERCONNECTORS



TRACE LENGTH FROM RESISTOR PINS
TO PIN SAME LENGTH
UG576 SHEET 297



NAME	DATE	SIGN	DRAWING TITLE									
CHECKED J. V. DE SOUZA			JFEX									
CHECKED U. SCHAEFER												
CHECKED S. RAVE												
DRAWN BAUSS												
BLOCK TITLE	POWERSUPPLY											
UNIVERSITY OF MAINZ			<table border="1"> <tr> <td>SIZE</td> <td>REV.</td> <td>DRAWING NO.</td> </tr> <tr> <td>C</td> <td> </td> <td> </td> </tr> <tr> <td>SCALE</td> <td> </td> <td>SHEET OF</td> </tr> </table>	SIZE	REV.	DRAWING NO.	C			SCALE		SHEET OF
SIZE	REV.	DRAWING NO.										
C												
SCALE		SHEET OF										

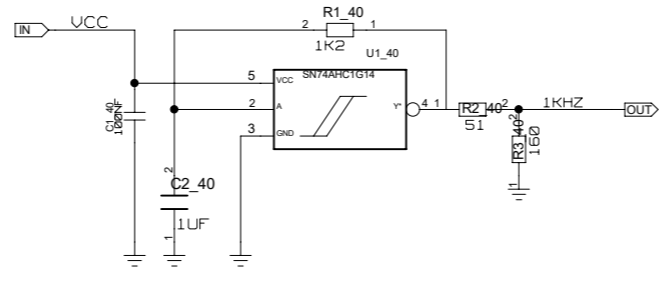


REVISIONS				
ZONE	LTR	DESCRIPTION	DATE	APPR.

	NAME	DATE	SIGN	DRAWING TITLE	
CHECKED	J. V. DE SOUZA			JFEX	
CHECKED	U. SCHAEFER				
CHECKED	S. RAVE				
DRAWN	BAUSS				
BLOCK TITLE				SIZE	DRAWING NO.
UNIVERSITY OF MAINZ				C	REV.
				SCALE	SHEET OF

REVISIONS				
ZONE	LTR	DESCRIPTION	DATE	APPR.

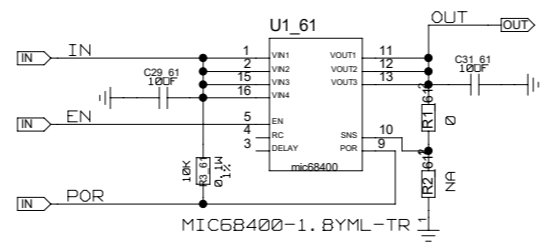
CPLD CLOCK



CHECKED	J. V. DE SOUZA			DRAWING TITLE	
CHECKED	U. SCHAEFER				
CHECKED	S. RAVE				
DRAWN	BAUSS				
BLOCK TITLE				<p style="text-align: center; font-size: 2em;">JFEX</p>	
UNIVERSITY OF MAINZ			SIZE		REV.
			SCALE		DRAWING NO.
			SHEET	OF	

REVISIONS				
ZONE	LTR	DESCRIPTION	DATE	APPR.

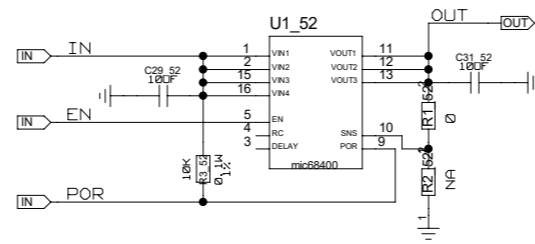
POWERSUPPLY_MIC68400



	NAME	DATE	SIGN	DRAWING TITLE	
CHECKED	J. V. DE SOUZA			POWERSUPPLY_MIC68400	
CHECKED	U. SCHAEFER				
CHECKED	S. RAVE				
DRAWN	BAUSS				
BLOCK TITLE				SIZE	DRAWING NO.
UNIVERSITY OF MAINZ				C	
SCALE				REV.	
				SHEET	OF

REVISIONS				
ZONE	LTR	DESCRIPTION	DATE	APPR.

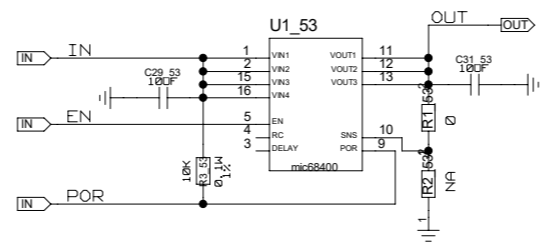
POWERSUPPLY_MIC68400



	NAME	DATE	SIGN	DRAWING TITLE	
CHECKED	J. V. DE SOUZA			POWERSUPPLY_MIC68400	
CHECKED	U. SCHAEFER				
CHECKED	S. RAVE				
DRAWN	BAUSS				
BLOCK TITLE				SIZE	DRAWING NO.
UNIVERSITY OF MAINZ				C	
SCALE				REV.	
				SHEET	OF

REVISIONS				
ZONE	LTR	DESCRIPTION	DATE	APPR.

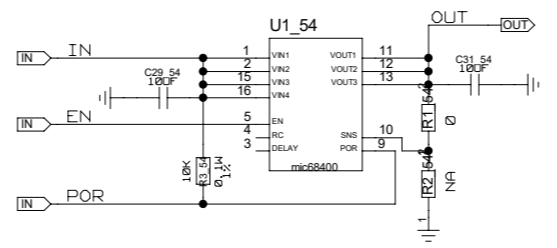
POWERSUPPLY_MIC68400



CHECKED	J. V. DE SOUZA			DRAWING TITLE		
CHECKED	U. SCHAEFER					
CHECKED	S. RAVE					
DRAWN	BAUSS					
BLOCK TITLE				SIZE	REV.	DRAWING NO.
POWERSUPPLY_MIC68400				C		
UNIVERSITY OF MAINZ				SCALE		SHEET OF

REVISIONS				
ZONE	LTR	DESCRIPTION	DATE	APPR.

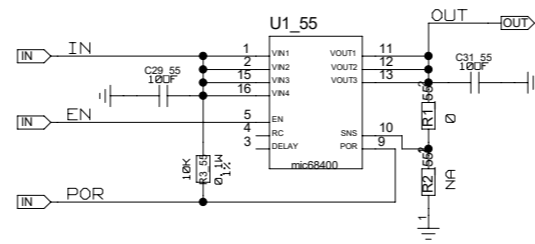
POWERSUPPLY_MIC68400



NAME	DATE	SIGN	DRAWING TITLE	
CHECKED	J. V. DE SOUZA		POWERSUPPLY_MIC68400	
CHECKED	U. SCHAEFER			
CHECKED	S. RAVE			
DRAWN	BAUSS			
BLOCK TITLE			SIZE	DRAWING NO.
UNIVERSITY OF MAINZ			C	REV.
SCALE				SHEET OF

REVISIONS				
ZONE	LTR	DESCRIPTION	DATE	APPR.

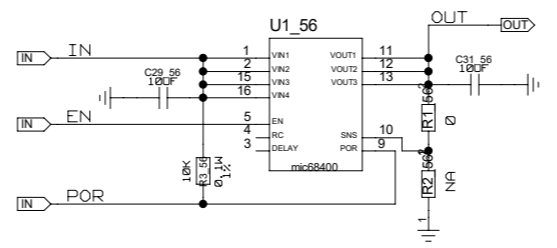
POWERSUPPLY_MIC68400



NAME	DATE	SIGN	DRAWING TITLE	
CHECKED J. V. DE SOUZA			POWERSUPPLY_MIC68400	
CHECKED U. SCHAEFER				
CHECKED S. RAVE				
DRAWN BAUSS				
BLOCK TITLE			SIZE	DRAWING NO.
UNIVERSITY OF MAINZ			C	
SCALE			REV.	
				SHEET OF

REVISIONS				
ZONE	LTR	DESCRIPTION	DATE	APPR.

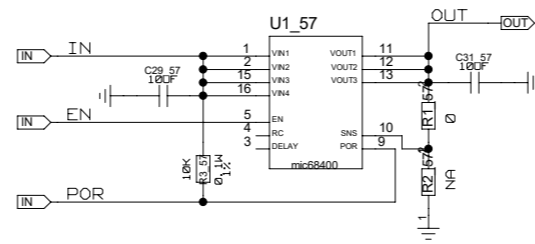
POWERSUPPLY_MIC68400



NAME	DATE	SIGN	DRAWING TITLE	
CHECKED J. V. DE SOUZA			POWERSUPPLY_MIC68400	
CHECKED U. SCHAEFER				
CHECKED S. RAVE				
DRAWN BAUSS				
BLOCK TITLE			SIZE	DRAWING NO.
UNIVERSITY OF MAINZ			C	
SCALE			REV.	SHEET OF

REVISIONS				
ZONE	LTR	DESCRIPTION	DATE	APPR.

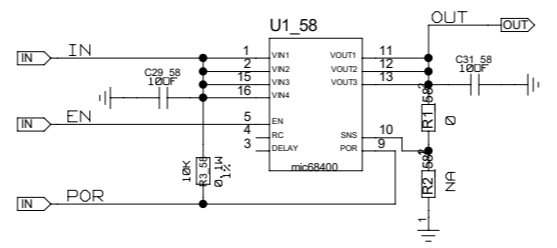
POWERSUPPLY_MIC68400



NAME	DATE	SIGN	DRAWING TITLE	
CHECKED J. V. DE SOUZA			POWERSUPPLY_MIC68400	
CHECKED U.SCHAEFER				
CHECKED S.RAVE				
DRAWN BAUSS				
BLOCK TITLE			SIZE	DRAWING NO.
UNIVERSITY OF MAINZ			C	
SCALE			REV.	
				SHEET OF

REVISIONS				
ZONE	LTR	DESCRIPTION	DATE	APPR.

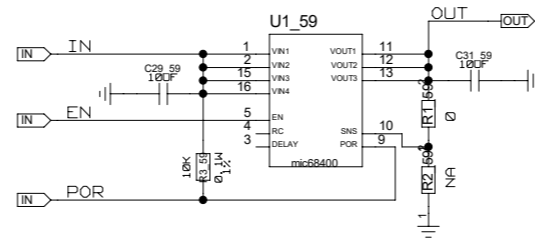
POWERSUPPLY_MIC68400



NAME	DATE	SIGN	DRAWING TITLE	
CHECKED J. V. DE SOUZA			POWERSUPPLY_MIC68400	
CHECKED U. SCHAEFER				
CHECKED S. RAVE				
DRAWN BAUSS				
BLOCK TITLE			SIZE	DRAWING NO.
UNIVERSITY OF MAINZ			C	
SCALE			REV.	
				SHEET OF

REVISIONS				
ZONE	LTR	DESCRIPTION	DATE	APPR.

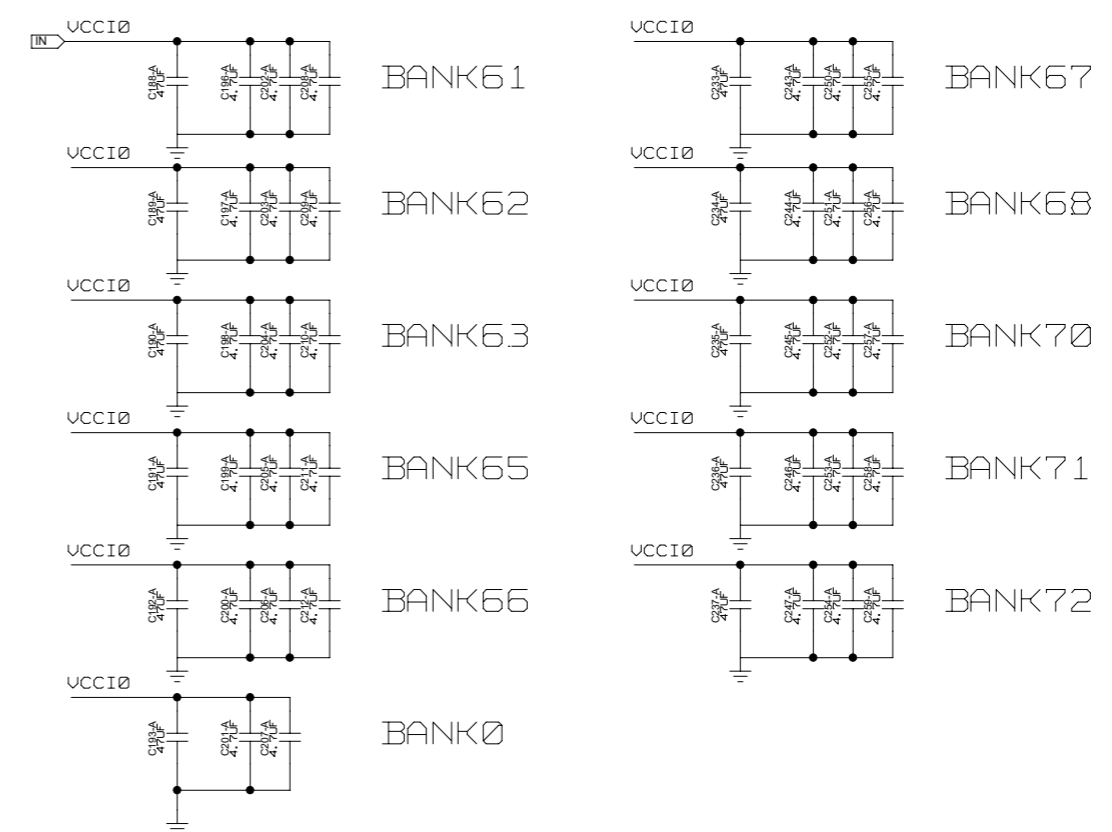
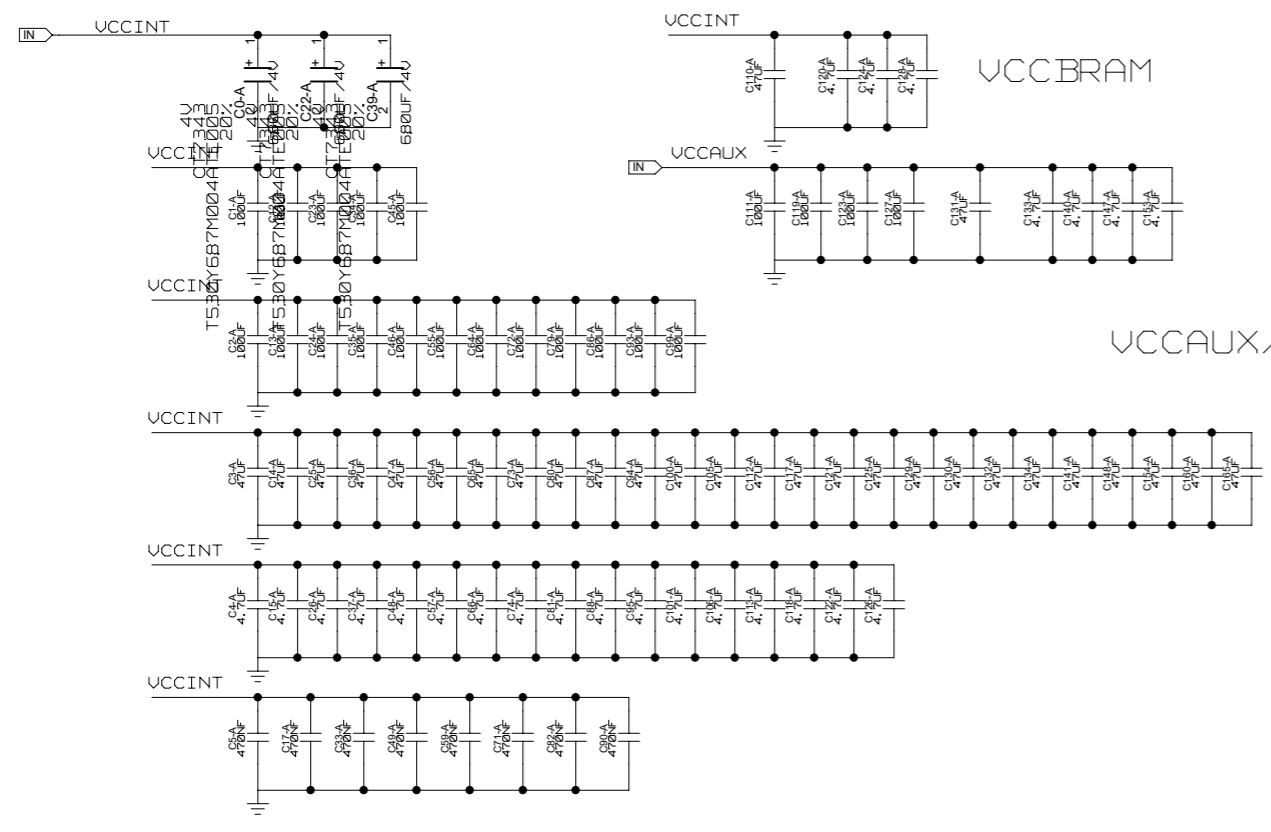
POWERSUPPLY_MIC68400



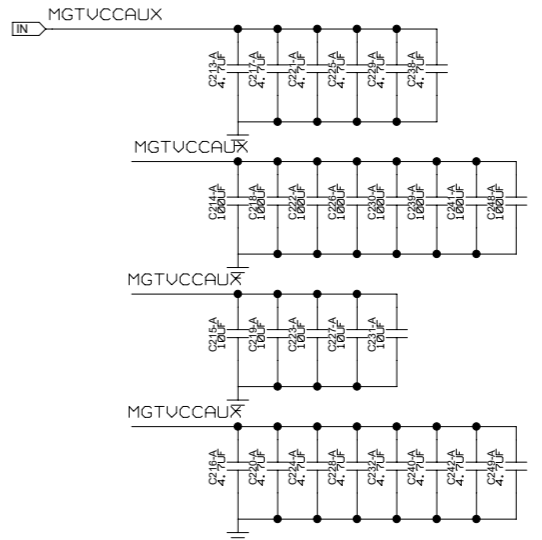
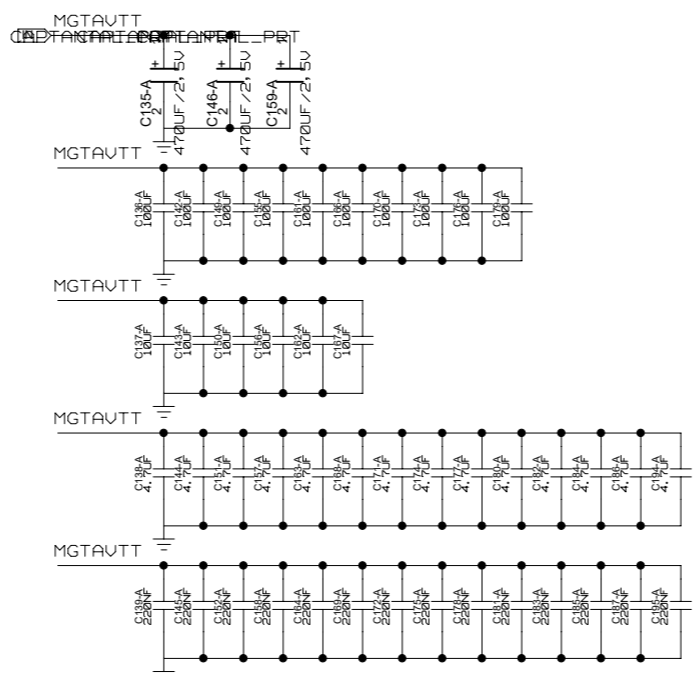
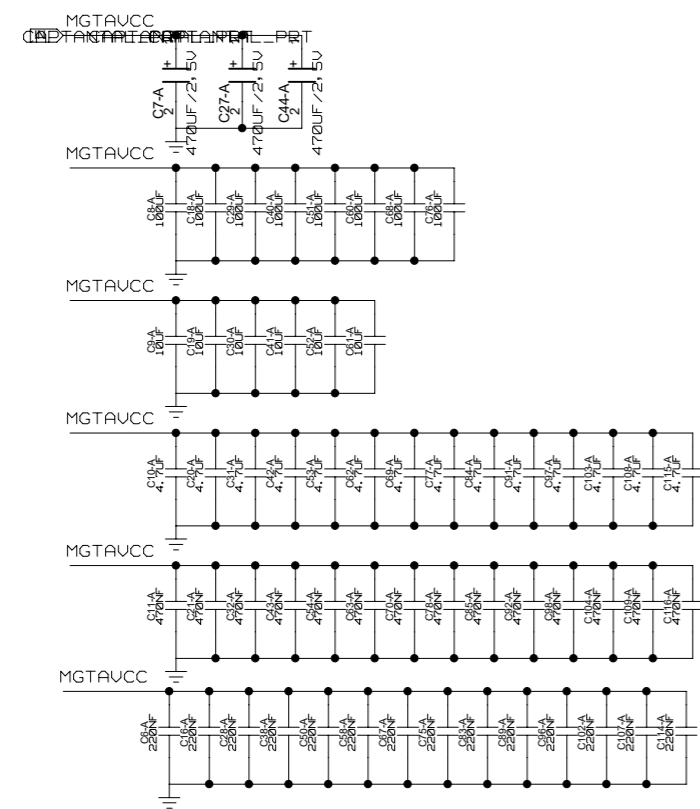
NAME	DATE	SIGN	DRAWING TITLE	
CHECKED	J. V. DE SOUZA		POWERSUPPLY_MIC68400	
CHECKED	U. SCHAEFER			
CHECKED	S. RAVE			
DRAWN	BAUSS			
BLOCK TITLE			SIZE	DRAWING NO.
UNIVERSITY OF MAINZ			C	REV.
SCALE			SHEET OF	

DECOUPLING FPGA

REVISIONS				
ZONE	LTR	DESCRIPTION	DATE	APPR.



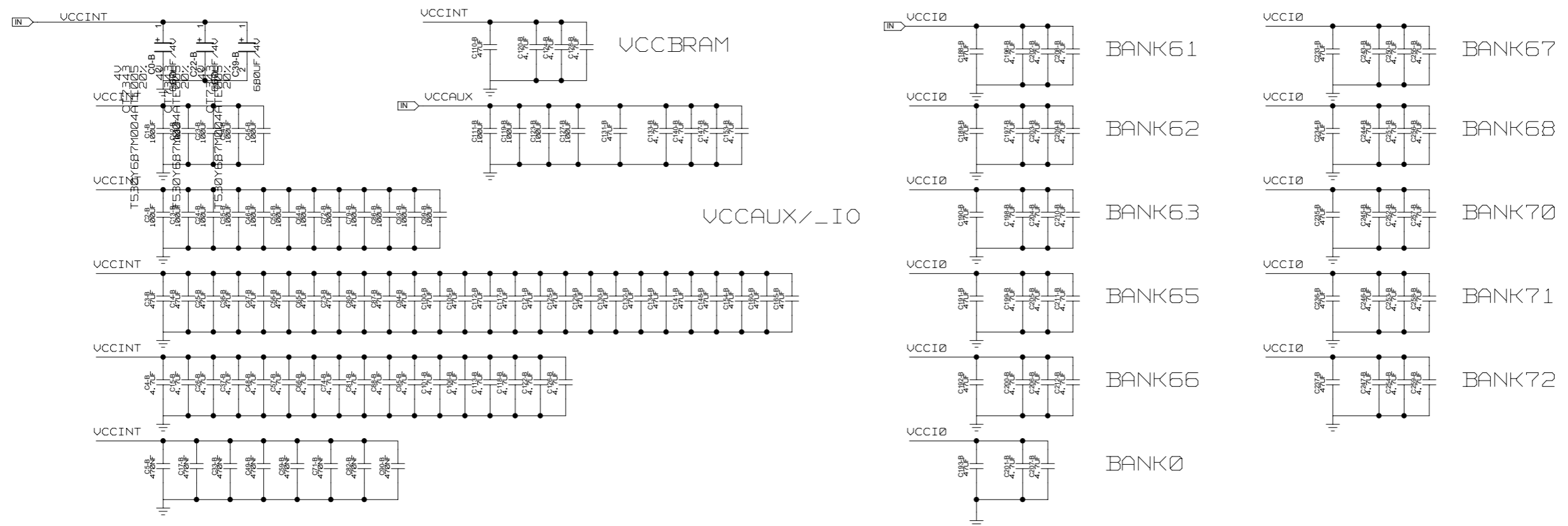
MGT DECOUPLING



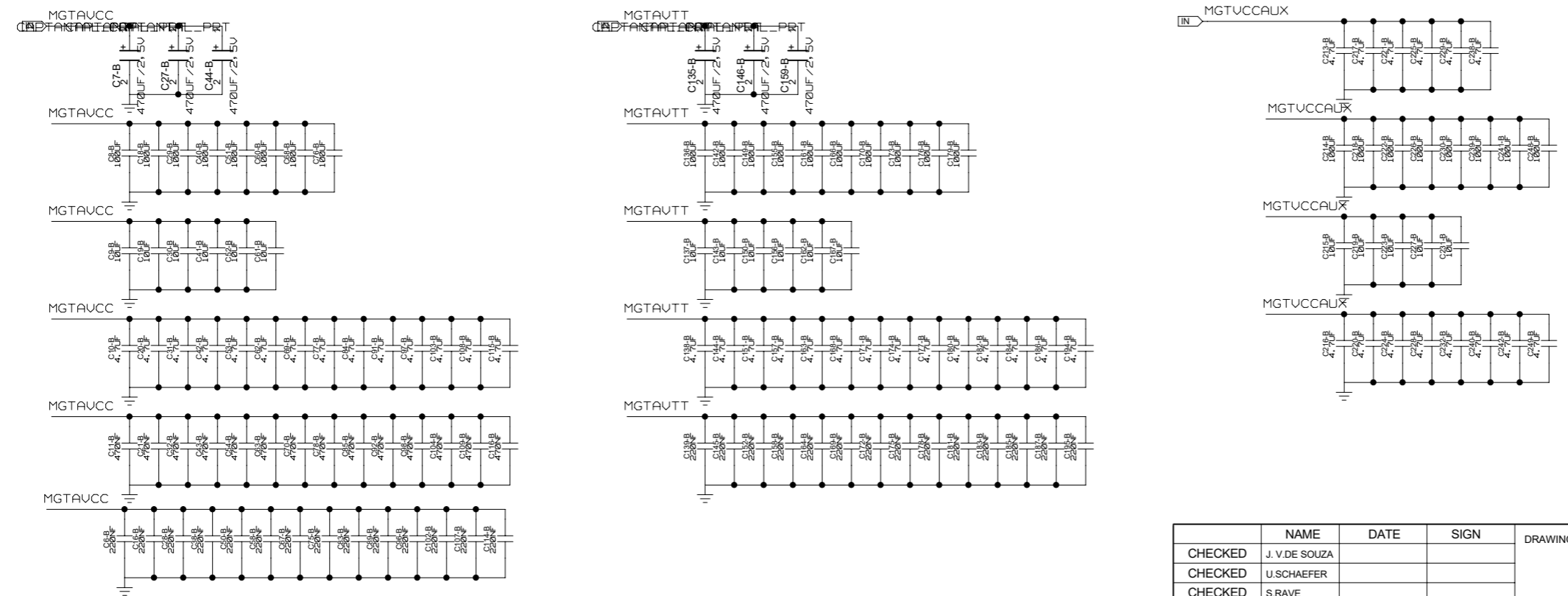
	NAME	DATE	SIGN	DRAWING TITLE	
CHECKED	J. V. DE SOUZA			JFEX	
CHECKED	U. SCHAEFER				
CHECKED	S. RAVE				
DRAWN	BAUSS				
BLOCK TITLE				SIZE	DRAWING NO.
UNIVERSITY OF MAINZ				C	
				SCALE	
				SHEET	OF

DECOUPLING FPGA

REVISIONS				
ZONE	LTR	DESCRIPTION	DATE	APPR.



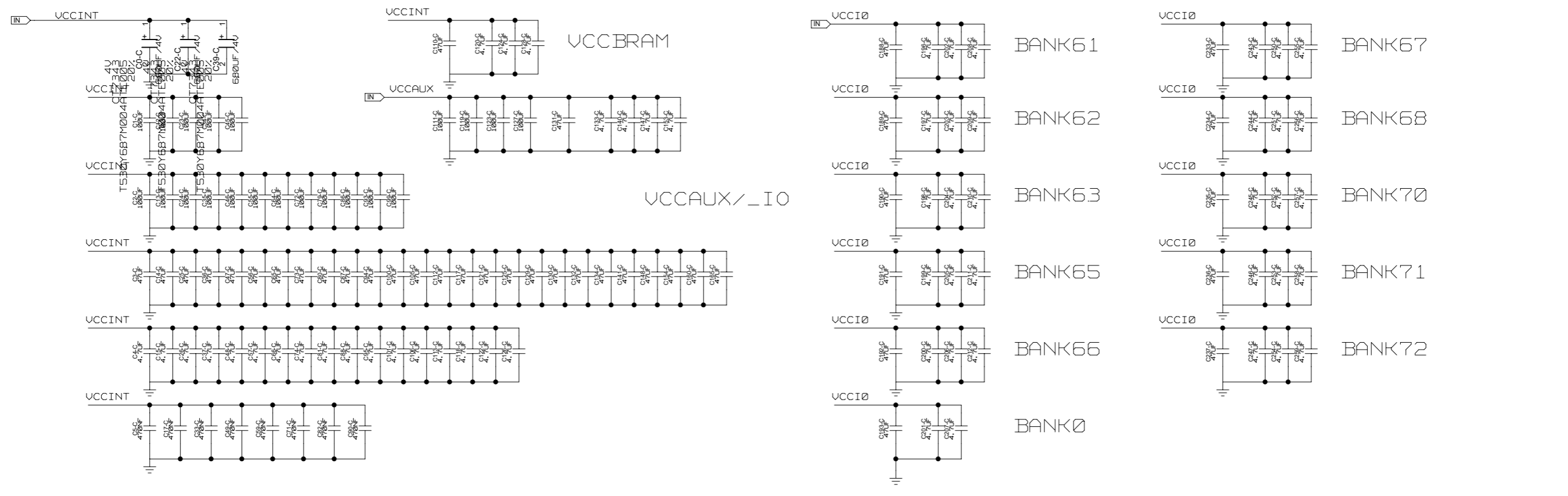
MGT DECOUPLING



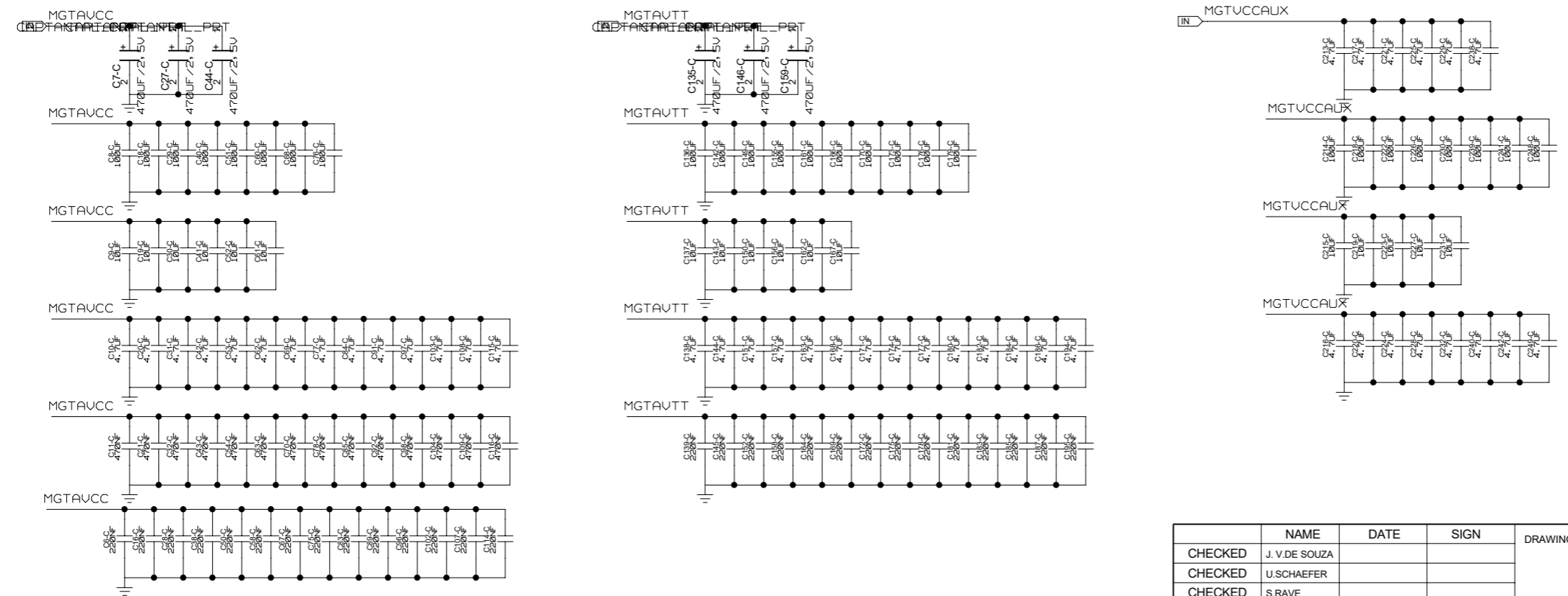
	NAME	DATE	SIGN	DRAWING TITLE	
CHECKED	J. V. DE SOUZA			JFEX	
CHECKED	U. SCHAEFER				
CHECKED	S. RAVE				
DRAWN	BAUSS				
BLOCK TITLE				SIZE	DRAWING NO.
UNIVERSITY OF MAINZ				C	
SCALE				REV.	
					SHEET OF

DECOUPLING FPGA

REVISIONS				
ZONE	LTR	DESCRIPTION	DATE	APPR.



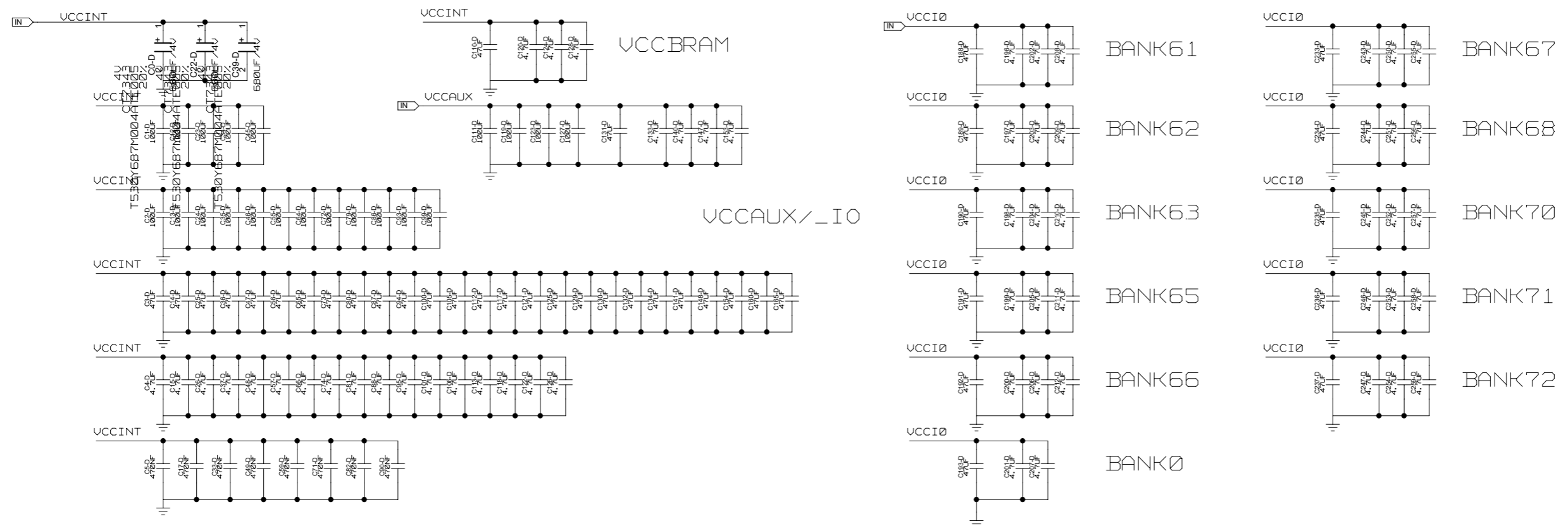
MGT DECOUPLING



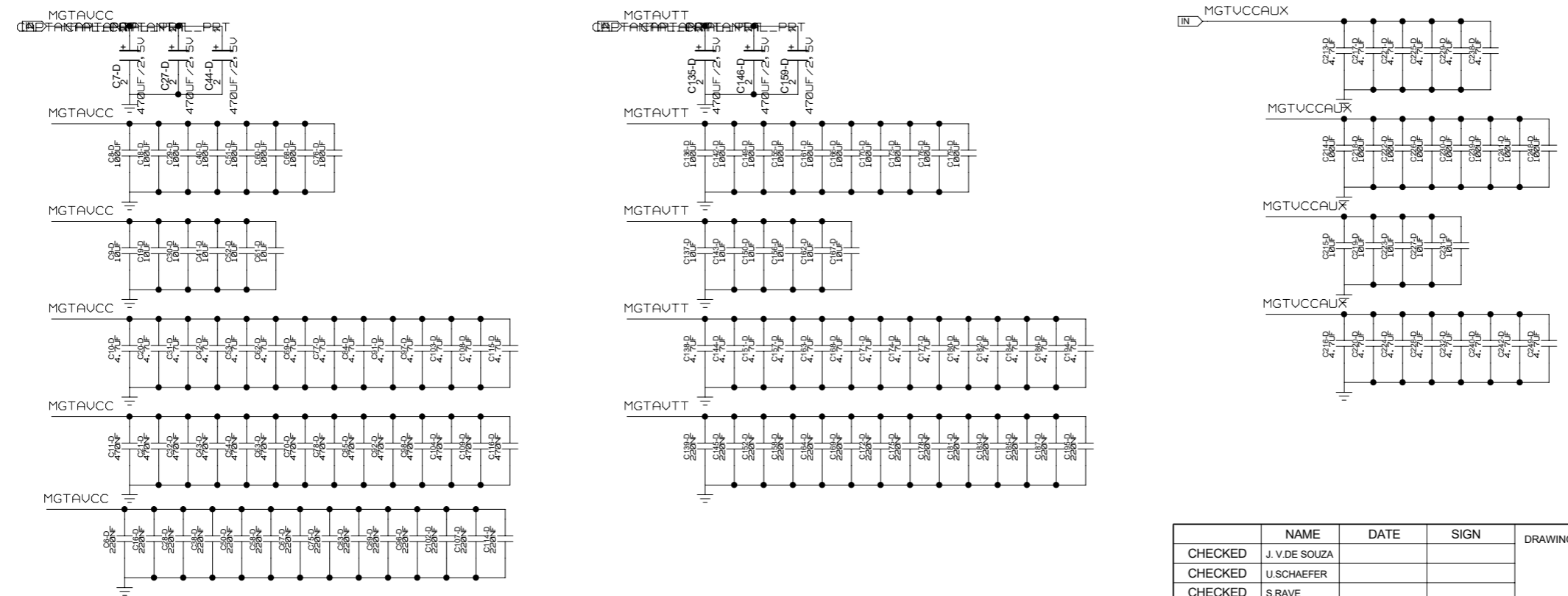
	NAME	DATE	SIGN	DRAWING TITLE	
CHECKED	J. V. DE SOUZA			JFEX	
CHECKED	U. SCHAEFER				
CHECKED	S. RAVE				
DRAWN	BAUSS				
BLOCK TITLE				SIZE	DRAWING NO.
UNIVERSITY OF MAINZ				C	
				SCALE	SHEET OF

DECOUPLING FPGA

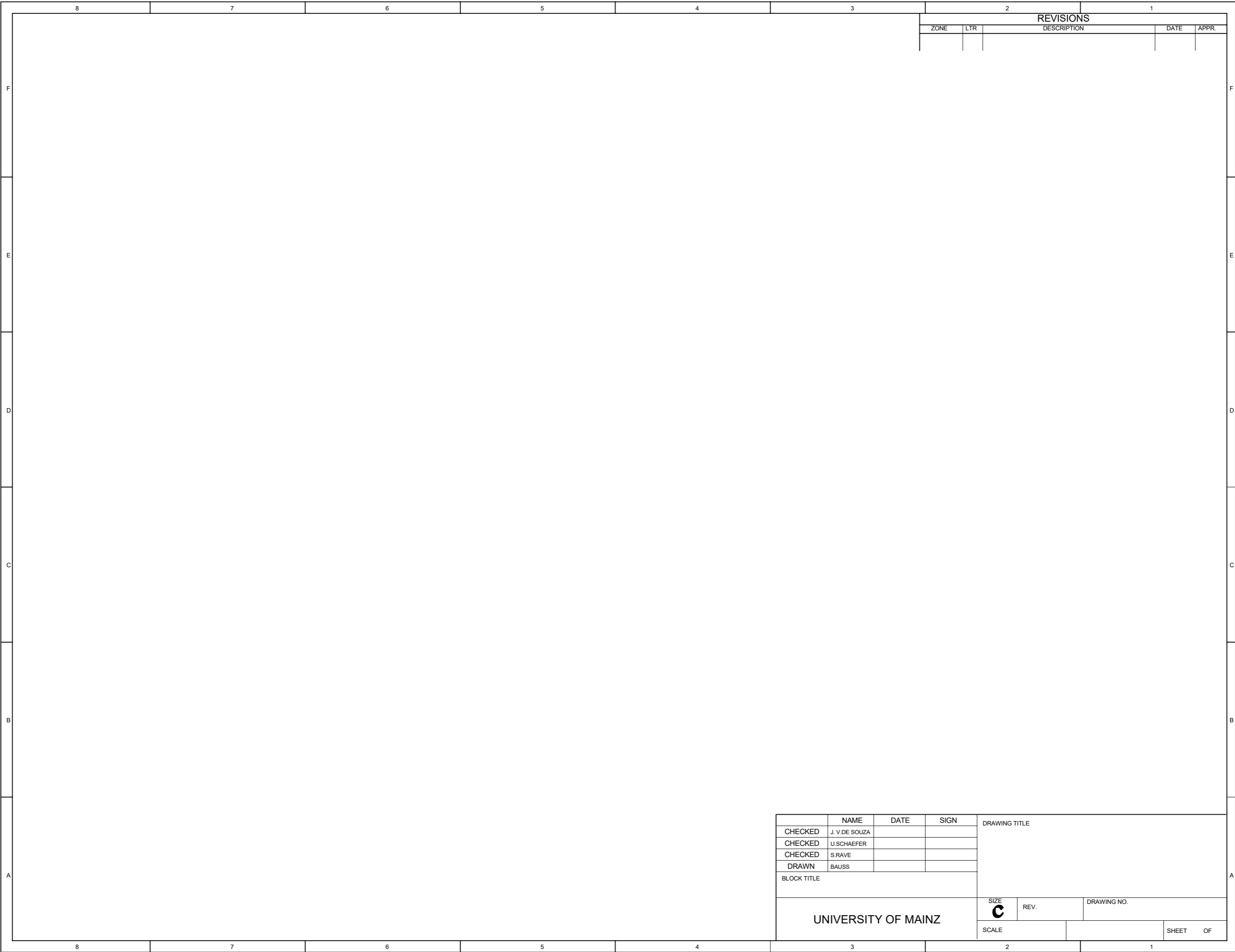
REVISIONS				
ZONE	LTR	DESCRIPTION	DATE	APPR.



MGT DECOUPLING



NAME	DATE	SIGN	DRAWING TITLE	
CHECKED J. V. DE SOUZA			JFEX	
CHECKED U. SCHAEFER				
CHECKED S. RAVE				
DRAWN BAUSS				
BLOCK TITLE			SIZE	REV.
UNIVERSITY OF MAINZ			C	
			SCALE	DRAWING NO.
				SHEET OF

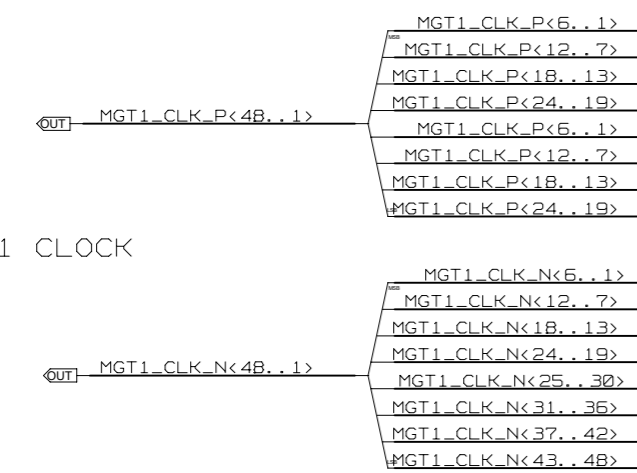
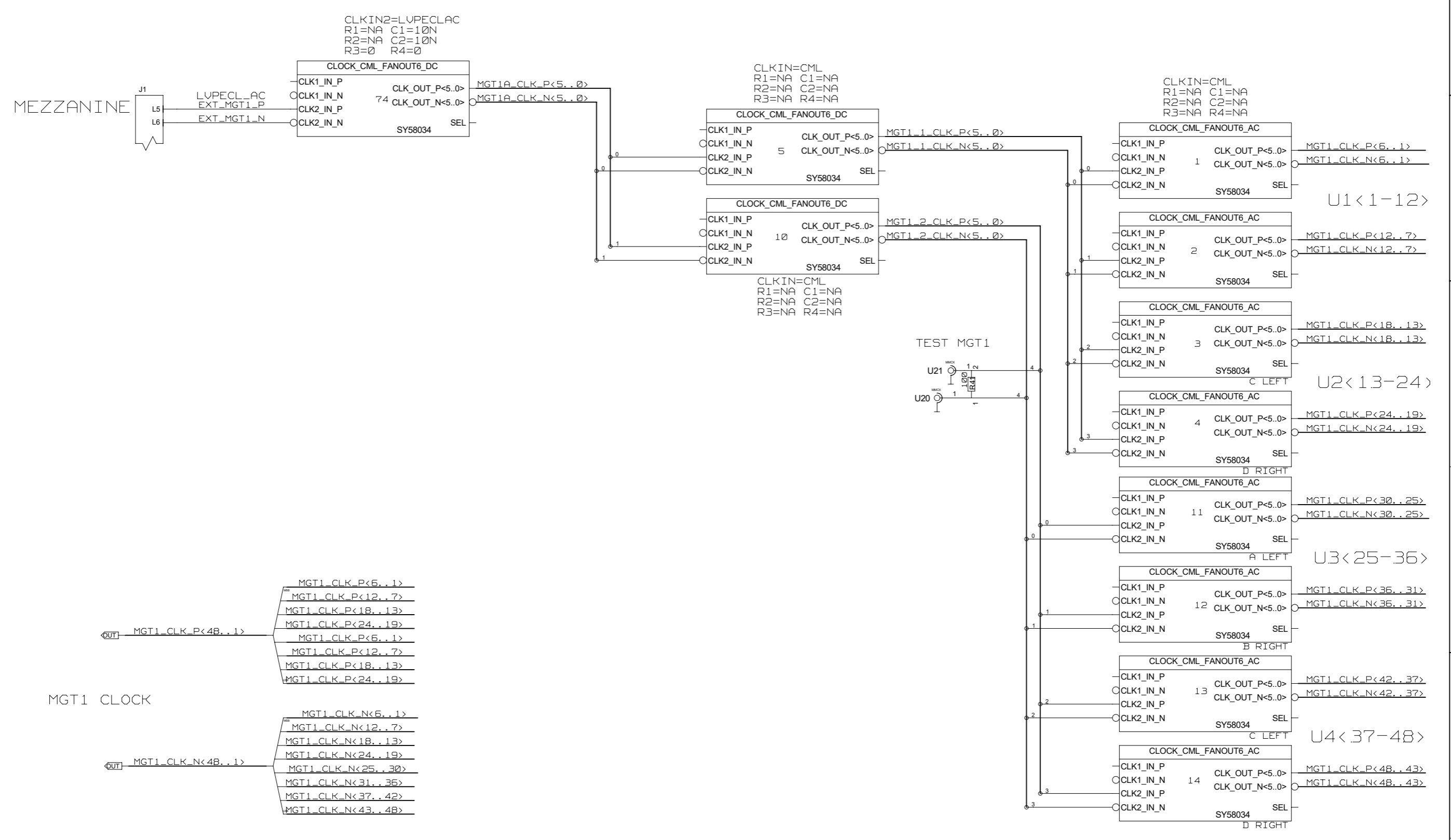


REVISIONS				
ZONE	LTR	DESCRIPTION	DATE	APPR.

	NAME	DATE	SIGN	DRAWING TITLE	
CHECKED	J. V. DE SOUZA				
CHECKED	U. SCHAEFER				
CHECKED	S. RAVE				
DRAWN	BAUSS				
BLOCK TITLE				SIZE	DRAWING NO.
UNIVERSITY OF MAINZ				C	REV.
				SCALE	SHEET OF

MGT1 CLOCK

REVISIONS				
ZONE	LTR	DESCRIPTION	DATE	APPR.

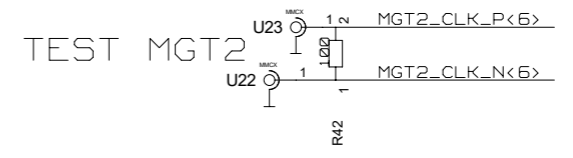
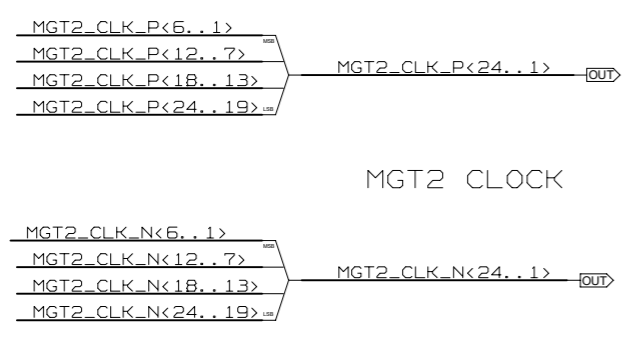
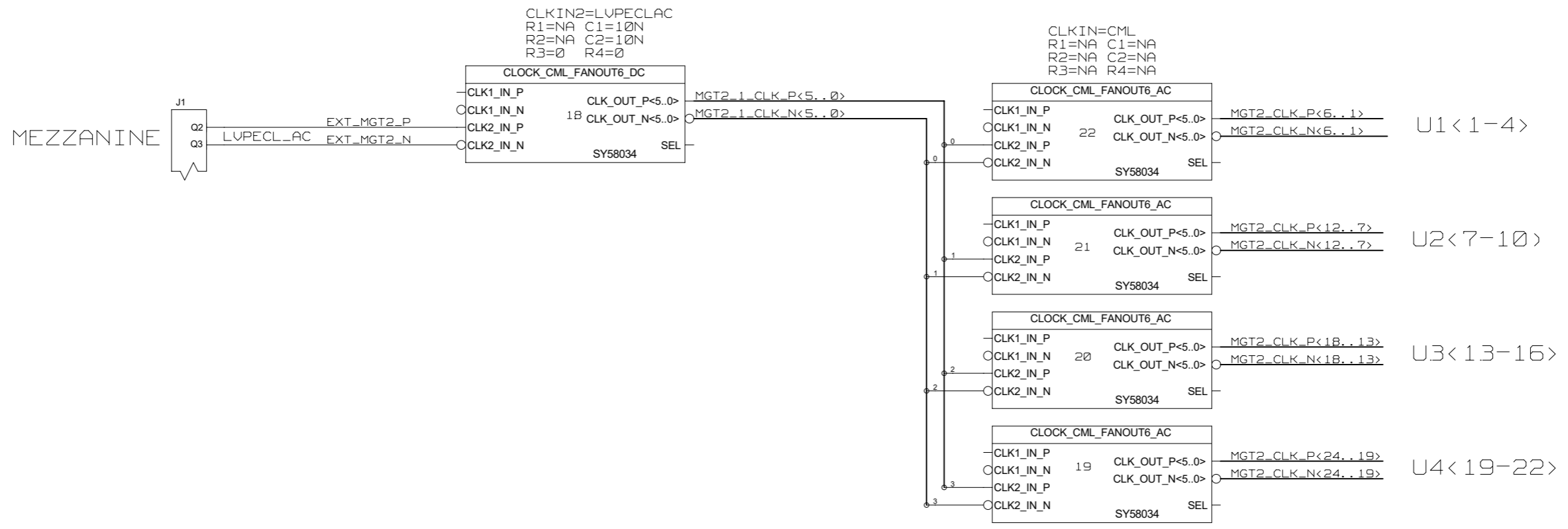


UPDATE PICK & PLACE DATA FOR FANOUT AND MUX

NAME	DATE	SIGN	DRAWING TITLE
CHECKED J.V. DE SOUZA			JFEX MGT1 CLOCK
CHECKED U.SCHAEFER			
CHECKED S.RAVE			
DRAWN BAUSS	08.05.2017		
BLOCK TITLE			
CLOCK			
UNIVERSITY OF MAINZ		SIZE C	DRAWING NO.
SCALE		REV.	SHEET 1 OF 5

REVISIONS				
ZONE	LTR	DESCRIPTION	DATE	APPR.

MGT2 CLOCK

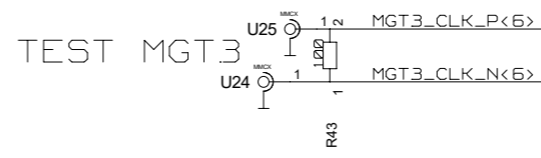
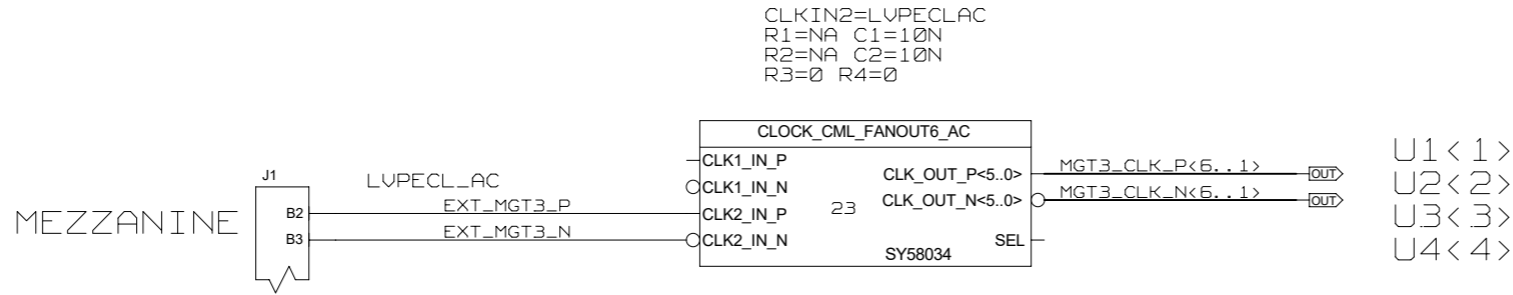


UPDATE PICK & PLACE DATA FOR FANOUT AND MUX

CHECKED	J.V. DE SOUZA			DRAWING TITLE JFEX MGT2 CLOCK
CHECKED	U.SCHAEFER			
CHECKED	S.RAVE			
DRAWN	BAUSS	08.05.2017		
BLOCK TITLE CLOCK				
UNIVERSITY OF MAINZ		SIZE C	REV.	DRAWING NO.
		SCALE		SHEET 2 OF 5

MGT.3 CLOCK (ROD REFCLK)

REVISIONS				
ZONE	LTR	DESCRIPTION	DATE	APPR.

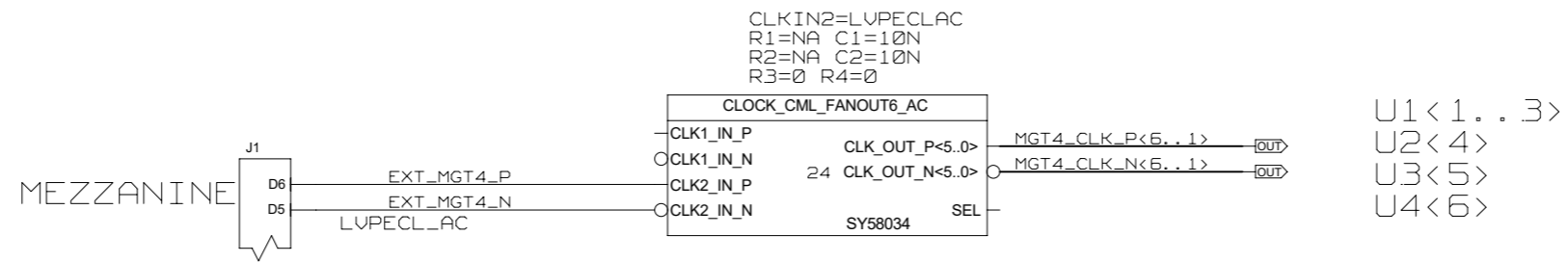


UPDATE PICK & PLACE DATA FOR FANOUT AND MUX

NAME	DATE	SIGN	DRAWING TITLE
CHECKED J.V.DE SOUZA			<p style="text-align: center;">JFEX</p> <p style="text-align: center;">MGT.3 CLOCK (ROD REFCLK)</p>
CHECKED U.SCHAEFER			
CHECKED S.RAVE			
DRAWN BAUSS	08.06.2017		
BLOCK TITLE			
CLOCK			
UNIVERSITY OF MAINZ		SIZE C SCALE	REV. DRAWING NO. SHEET 3 OF 5

REVISIONS				
ZONE	LTR	DESCRIPTION	DATE	APPR.

MGT4 CLOCK (IPBUS REFCLK)

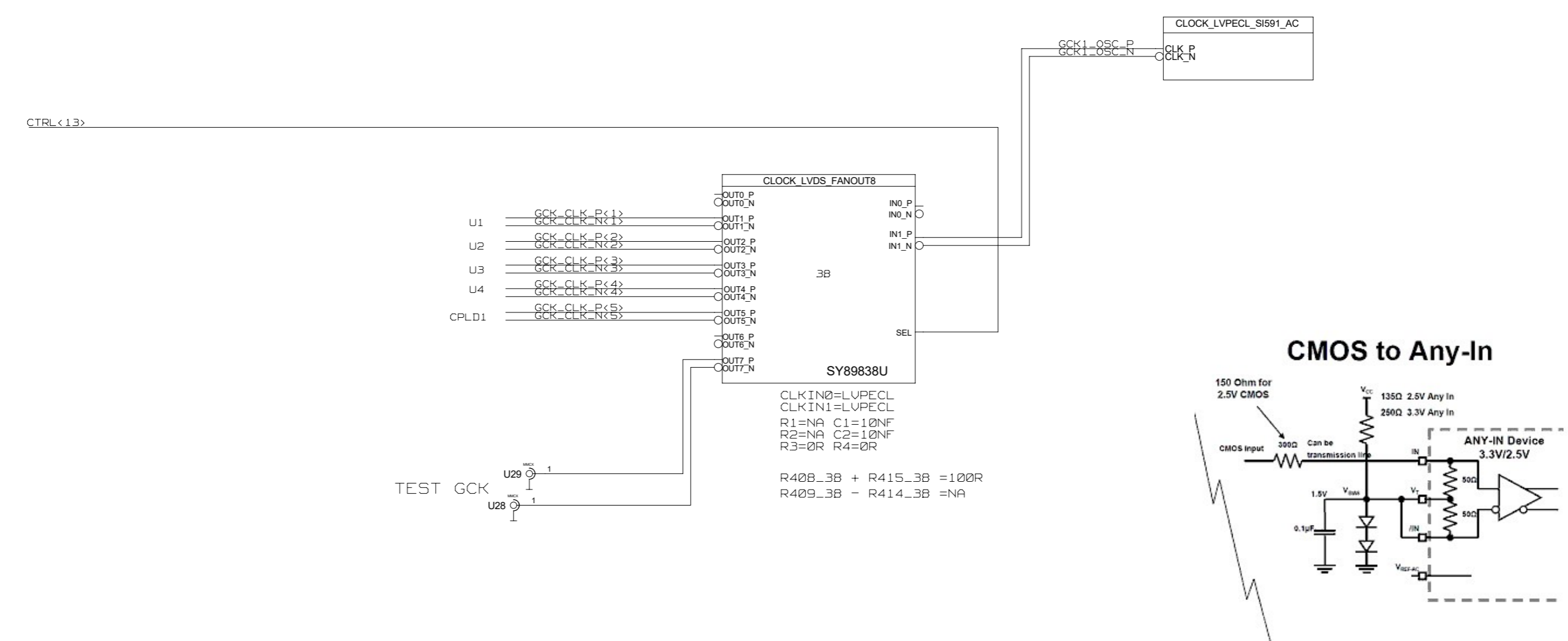


UPDATE PICK & PLACE DATA FOR FANOUT AND MUX

	NAME	DATE	SIGN	DRAWING TITLE
CHECKED	J.V.DE SOUZA			JFEX
CHECKED	U.SCHAEFER			
CHECKED	S.RAVE			
DRAWN	BAUSS	08.05.2017		MGT4 CLOCK (IPBUS REFCLK)
BLOCK TITLE				CLOCK
UNIVERSITY OF MAINZ				SIZE C REV. DRAWING NO.
SCALE				SHEET 4 OF 5

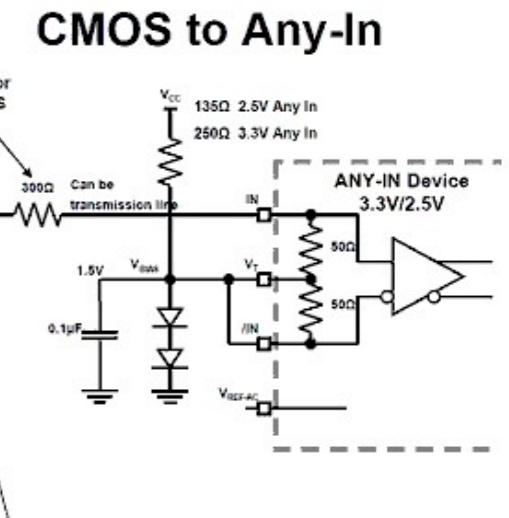
REVISIONS				
ZONE	LTR	DESCRIPTION	DATE	APPR.

GLOBAL CLOCK



LVDS \leftarrow OUT \leftarrow GCK_CLK_P<5..1>
 \leftarrow OUT \leftarrow GCK_CLK_N<5..1>

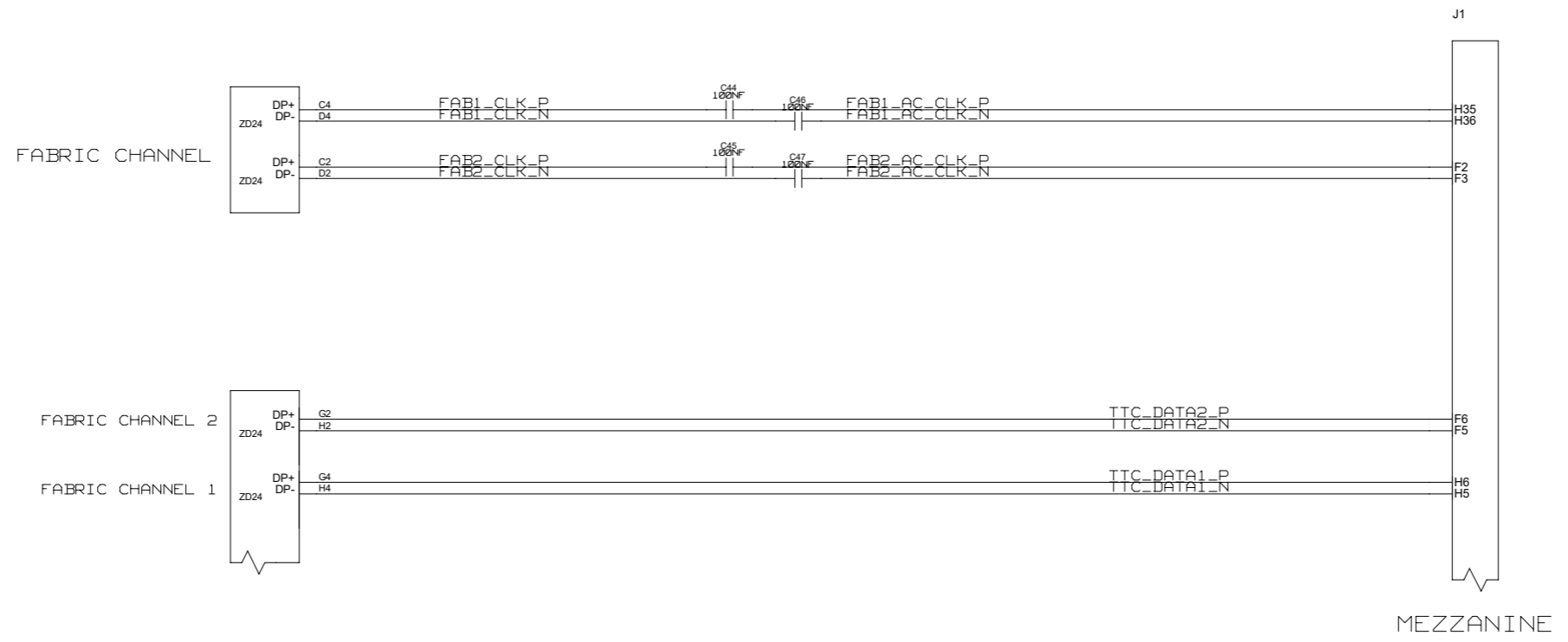
GCK1 = CLK U1
 GCK2 = CLK U2
 GCK3 = CLK U3
 GCK4 = CLK U4
 GCK5 = CLK CPLD



NAME	DATE	SIGN	DRAWING TITLE
CHECKED J. V. DE SOUZA			JFEX GLOBAL CLOCK
CHECKED U. SCHAEFER			
CHECKED S. RAVE			
DRAWN BAUSS	17. 08. 2015		
BLOCK TITLE CLOCK			SIZE C
UNIVERSITY OF MAINZ			REV.
SCALE			DRAWING NO.
			SHEET 5 OF 5

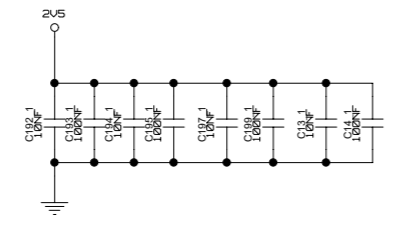
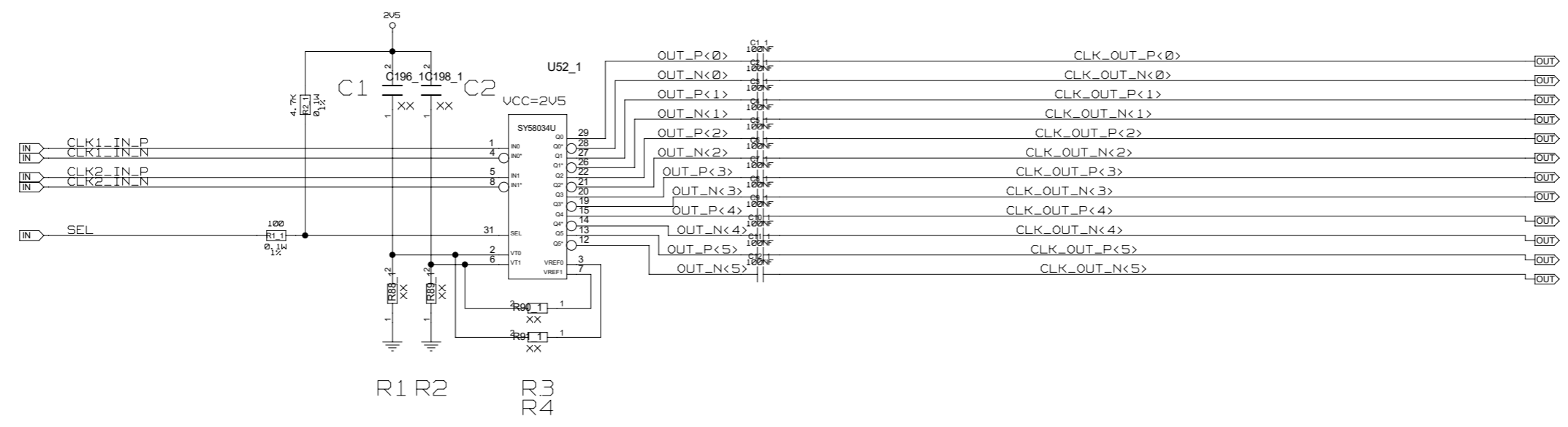
REVISIONS				
ZONE	LTR	DESCRIPTION	DATE	APPR.

LHC1 + LHC2 CLK

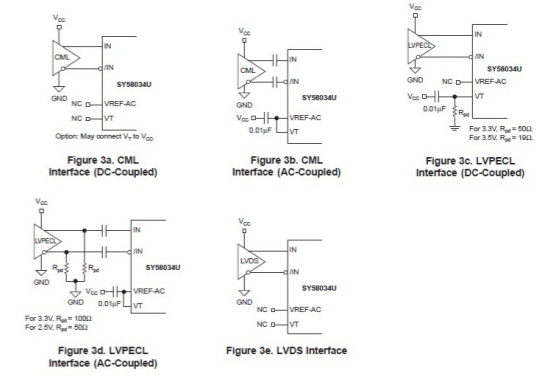


CHECKED	J. V. DE SOUZA			DRAWING TITLE JFEX TTC DATA
CHECKED	U. SCHAEFER			
CHECKED	S. RAVE			
DRAWN	BAUSS	06. 11. 2015		
BLOCK TITLE CLOCK				SIZE C
UNIVERSITY OF MAINZ				REV.
SCALE			DRAWING NO.	SHEET OF

REVISIONS				
ZONE	LTR	DESCRIPTION	DATE	APPR.

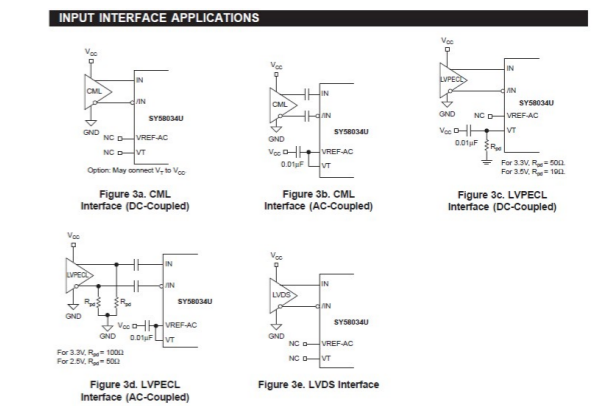
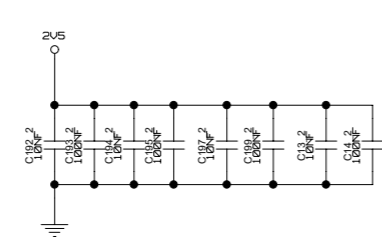
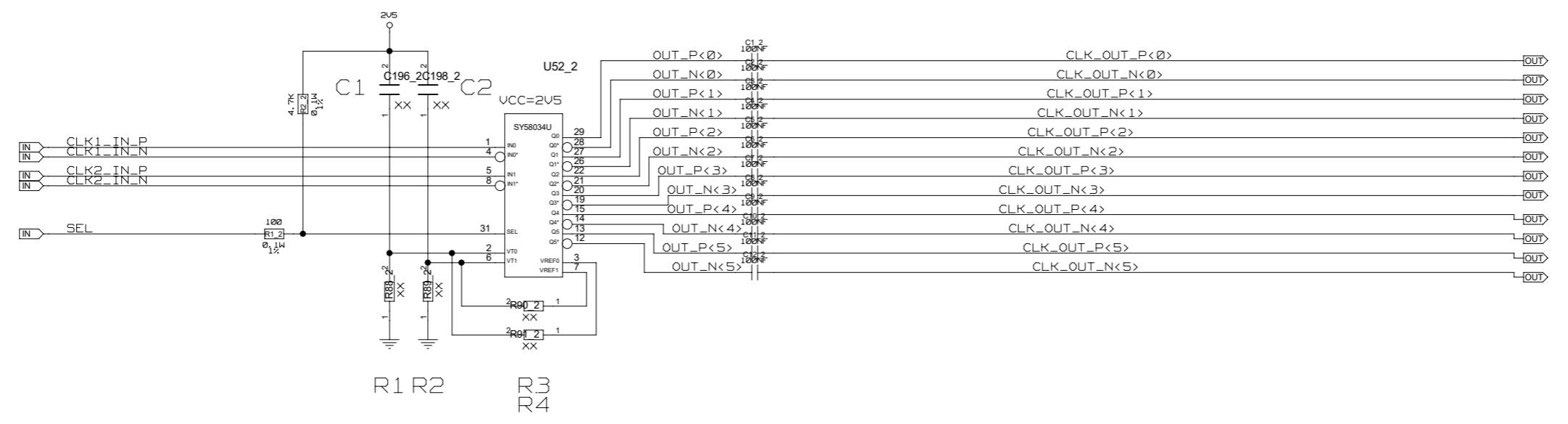


INPUT INTERFACE APPLICATIONS



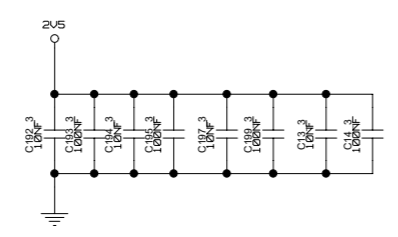
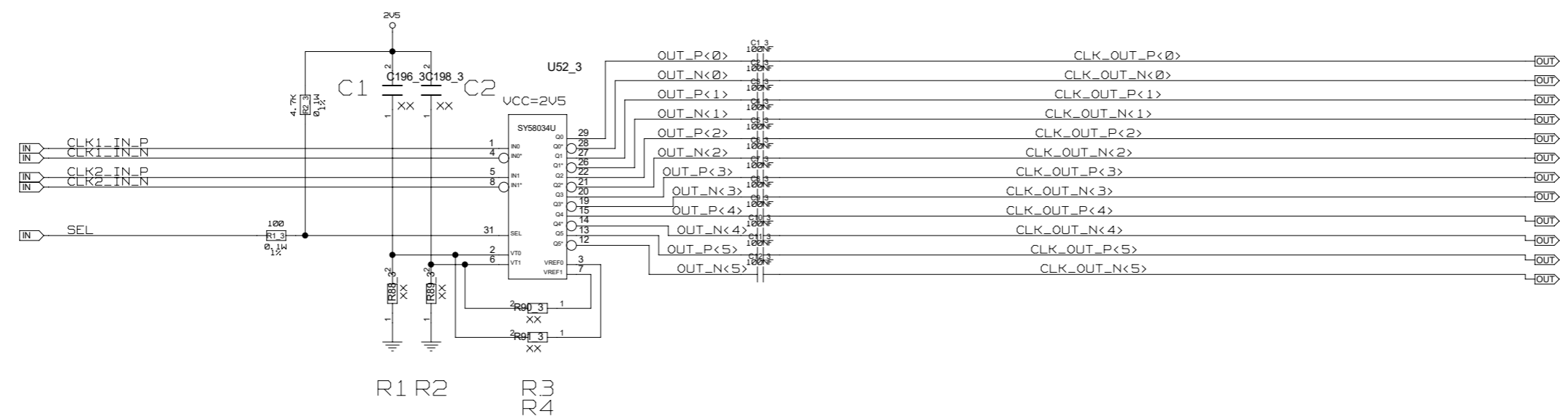
	NAME	DATE	SIGN	DRAWING TITLE CLOCK
CHECKED	J. V. DE SOUZA			
CHECKED	U. SCHAEFER			
CHECKED	S. RAVE			
DRAWN	BAUSS			
BLOCK TITLE CLOCK CML FANOUT6 AC				
UNIVERSITY OF MAINZ		SIZE C	REV.	DRAWING NO.
SCALE				SHEET OF

REVISIONS				
ZONE	LTR	DESCRIPTION	DATE	APPR.

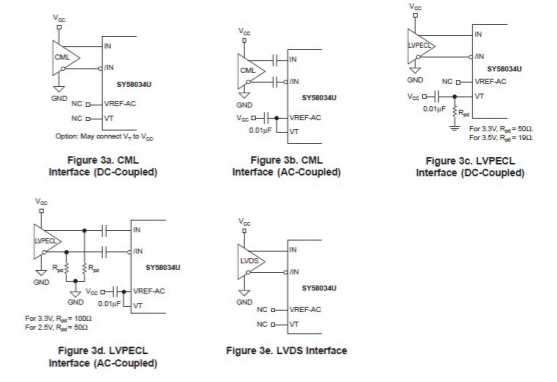


CHECKED	J. V. DE SOUZA			DRAWING TITLE CLOCK
CHECKED	U.SCHAEFER			
CHECKED	S.RAVE			
DRAWN	BAUSS			
BLOCK TITLE CLOCK CML FANOUT6 AC				
UNIVERSITY OF MAINZ		SIZE C	REV.	DRAWING NO.
SCALE				SHEET OF

REVISIONS				
ZONE	LTR	DESCRIPTION	DATE	APPR.

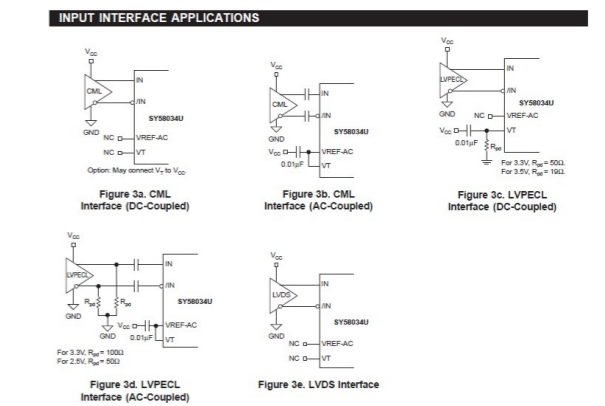
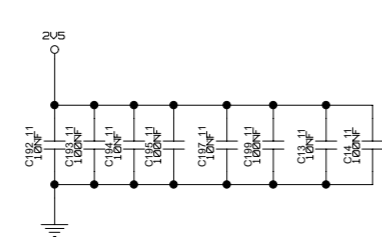
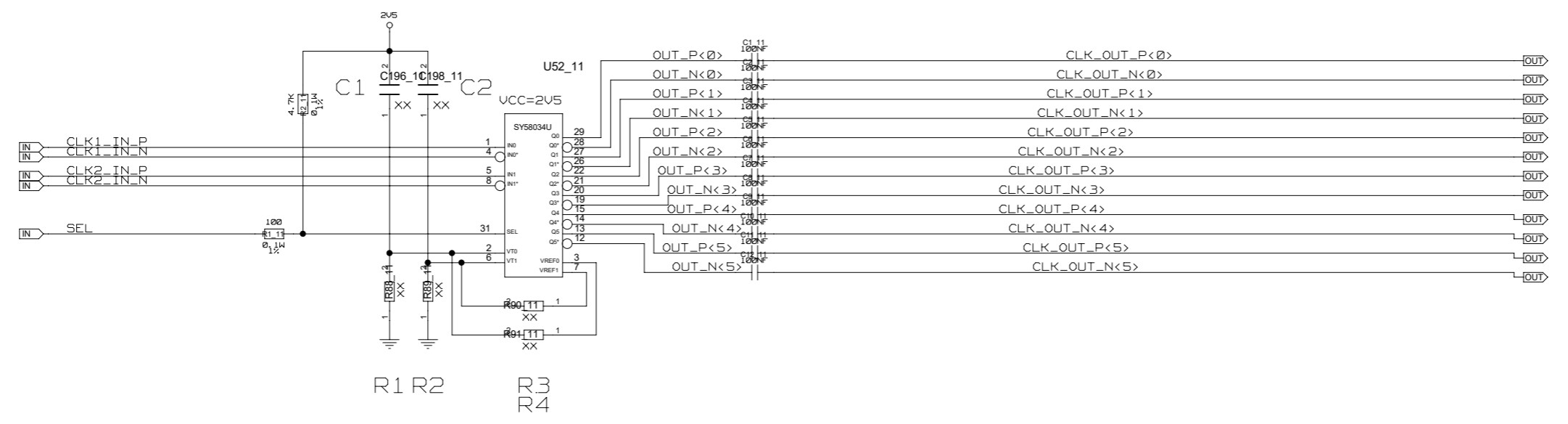


INPUT INTERFACE APPLICATIONS



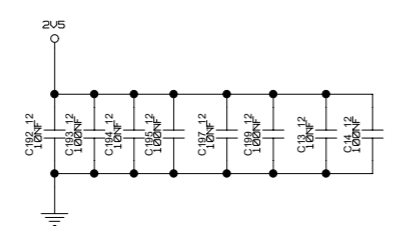
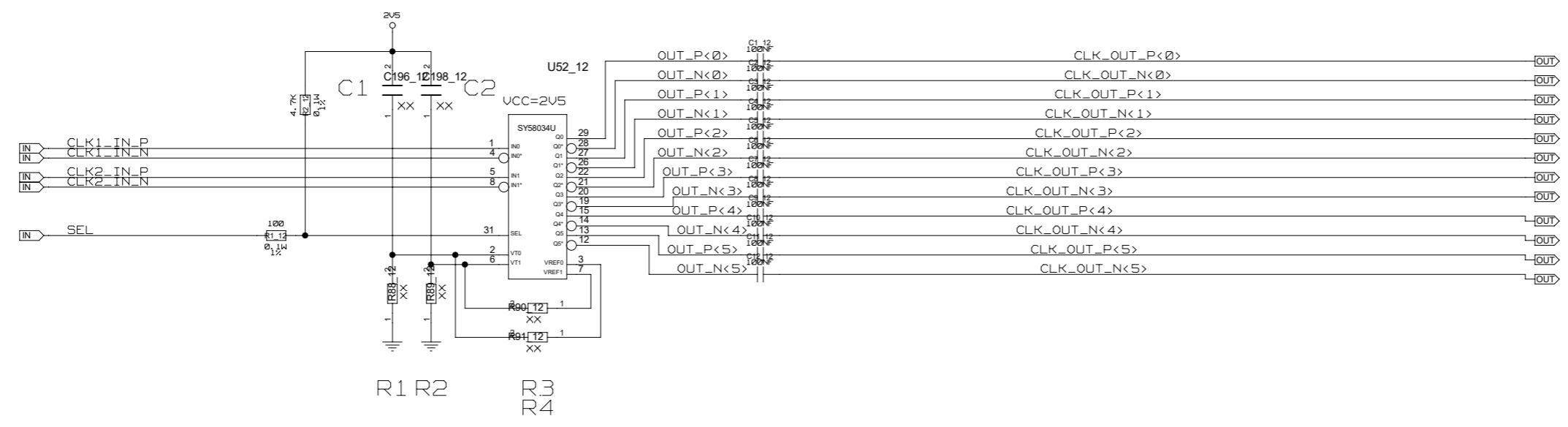
CHECKED	J. V. DE SOUZA			DRAWING TITLE CLOCK
CHECKED	U.SCHAEFER			
CHECKED	S.RAVE			
DRAWN	BAUSS			
BLOCK TITLE CLOCK CML FANOUT6 AC				
UNIVERSITY OF MAINZ		SIZE C	REV.	DRAWING NO.
SCALE				SHEET OF

REVISIONS				
ZONE	LTR	DESCRIPTION	DATE	APPR.

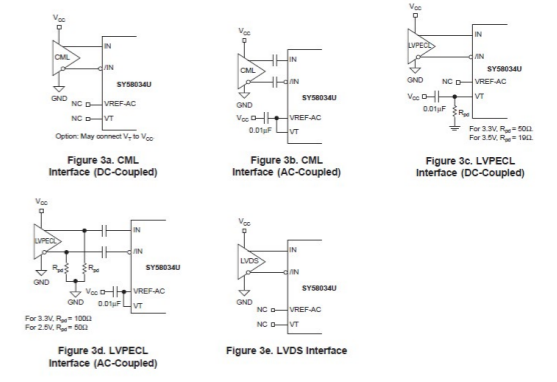


	NAME	DATE	SIGN	DRAWING TITLE CLOCK
CHECKED	J. V. DE SOUZA			
CHECKED	U. SCHAEFER			
CHECKED	S. RAVE			
DRAWN	BAUSS			
BLOCK TITLE CLOCK CML FANOUT6 AC				
UNIVERSITY OF MAINZ		SIZE C	REV.	DRAWING NO.
SCALE				SHEET OF

REVISIONS				
ZONE	LTR	DESCRIPTION	DATE	APPR.

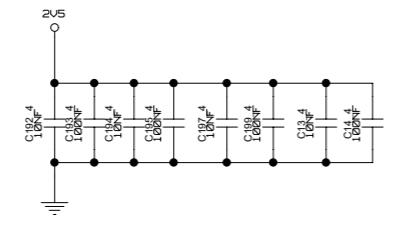
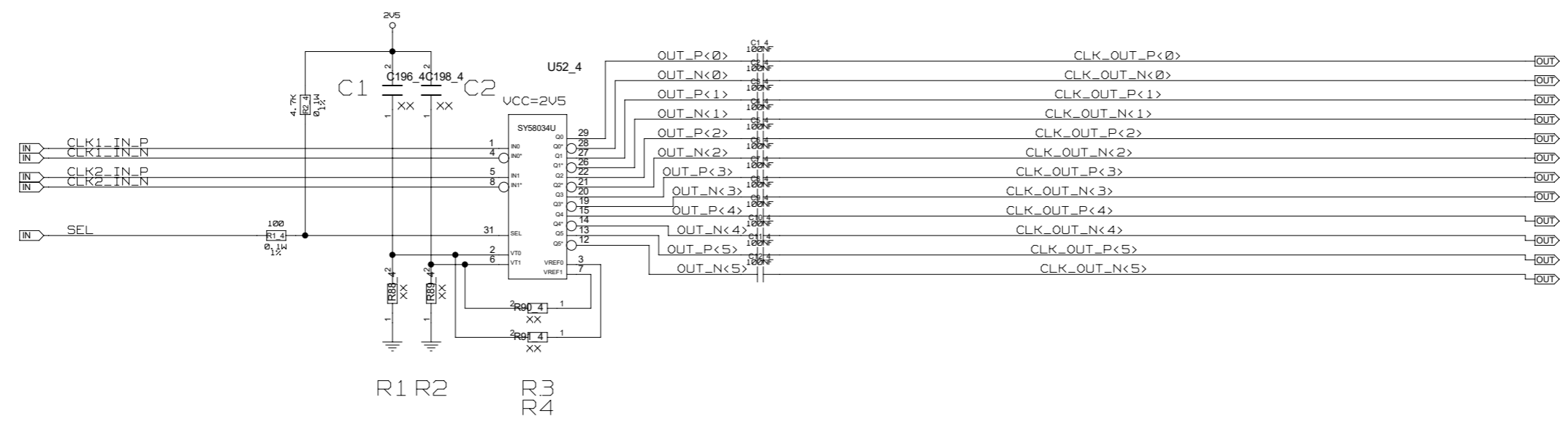


INPUT INTERFACE APPLICATIONS

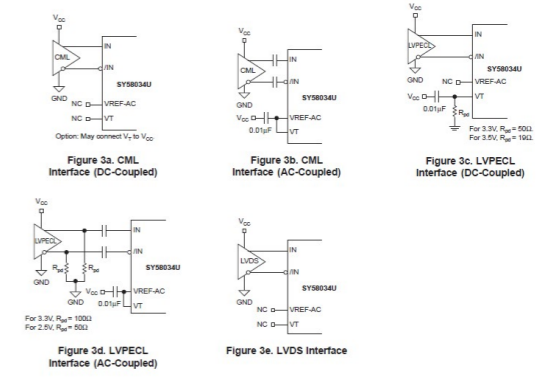


	NAME	DATE	SIGN	DRAWING TITLE CLOCK
CHECKED	J. V. DE SOUZA			
CHECKED	U. SCHAEFER			
CHECKED	S. RAVE			
DRAWN	BAUSS			
BLOCK TITLE CLOCK CML FANOUT6 AC				
UNIVERSITY OF MAINZ		SIZE C	REV.	DRAWING NO.
SCALE				SHEET OF

REVISIONS				
ZONE	LTR	DESCRIPTION	DATE	APPR.

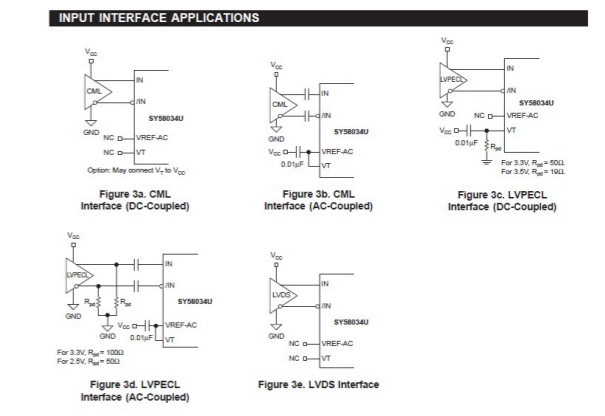
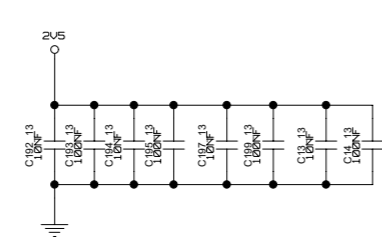
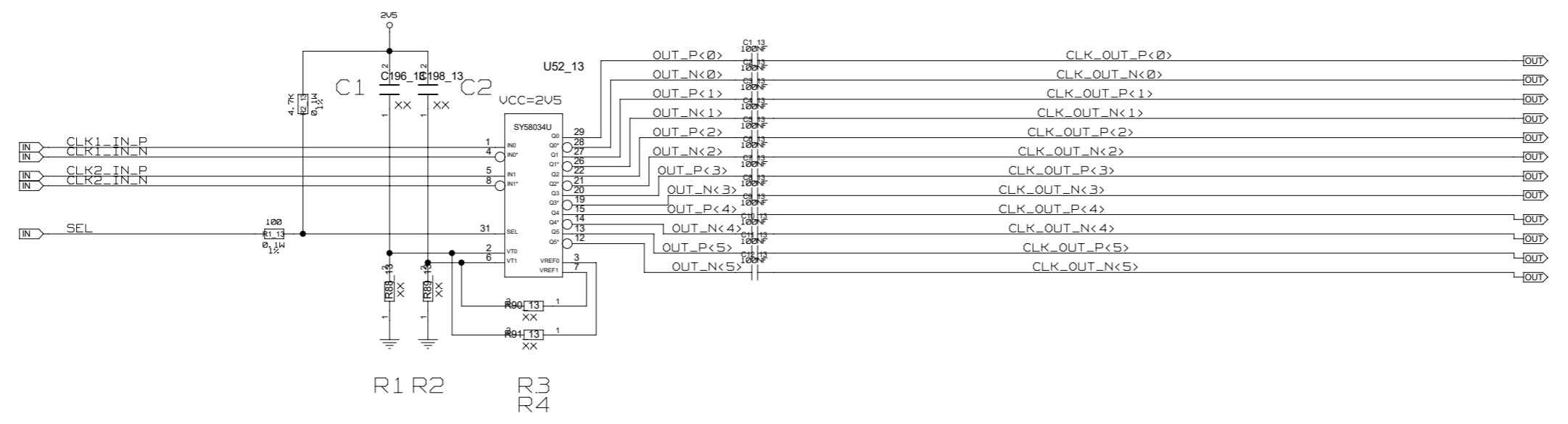


INPUT INTERFACE APPLICATIONS



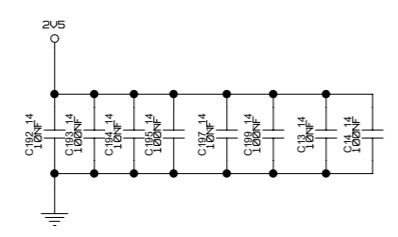
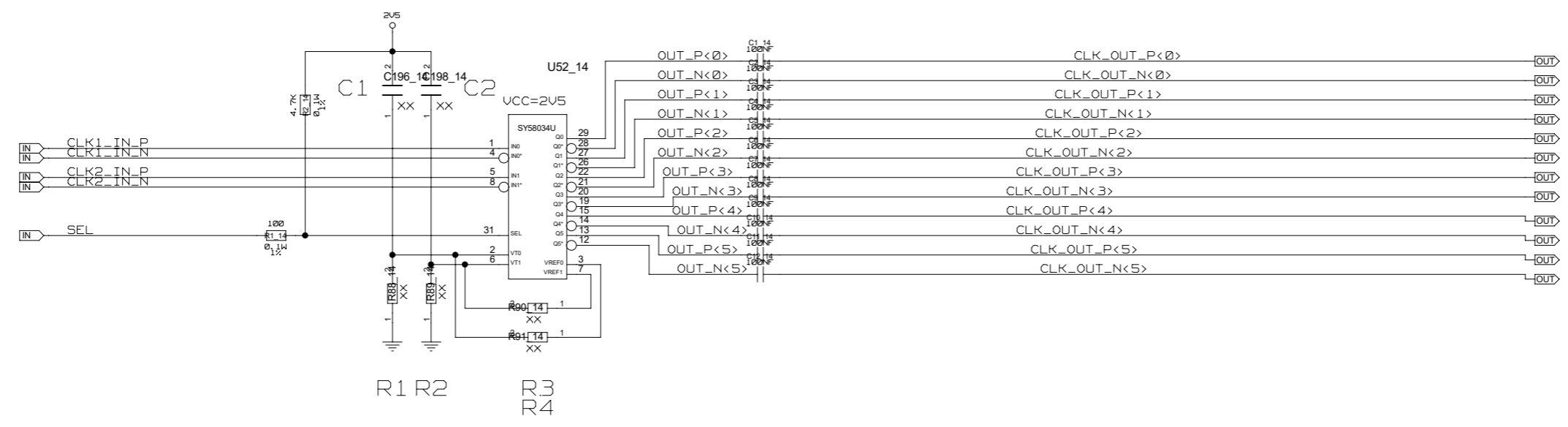
	NAME	DATE	SIGN	DRAWING TITLE CLOCK
CHECKED	J. V. DE SOUZA			
CHECKED	U. SCHAEFER			
CHECKED	S. RAVE			
DRAWN	BAUSS			
BLOCK TITLE CLOCK CML FANOUT6 AC				
UNIVERSITY OF MAINZ		SIZE C	REV.	DRAWING NO.
SCALE				SHEET OF

REVISIONS				
ZONE	LTR	DESCRIPTION	DATE	APPR.

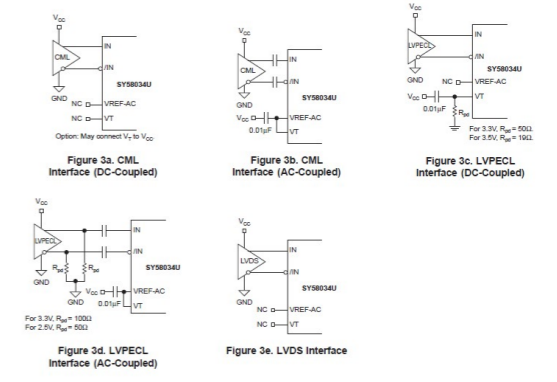


	NAME	DATE	SIGN	DRAWING TITLE <h1>CLOCK</h1>
CHECKED	J. V. DE SOUZA			
CHECKED	U. SCHAEFER			
CHECKED	S. RAVE			
DRAWN	BAUSS			
BLOCK TITLE CLOCK CML FANOUT6 AC				
UNIVERSITY OF MAINZ		SIZE C	REV.	DRAWING NO.
SCALE				SHEET OF

REVISIONS				
ZONE	LTR	DESCRIPTION	DATE	APPR.

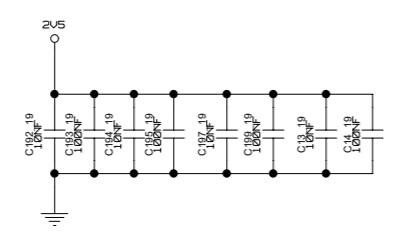
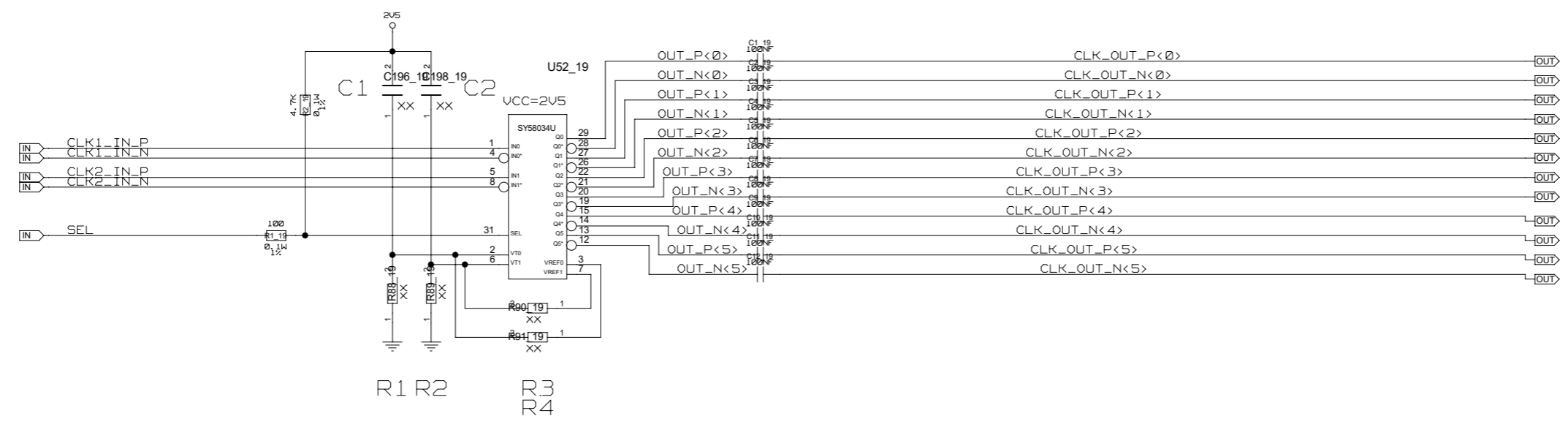


INPUT INTERFACE APPLICATIONS

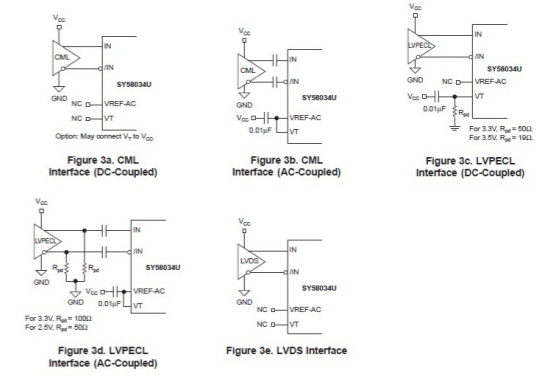


	NAME	DATE	SIGN	DRAWING TITLE CLOCK
CHECKED	J. V. DE SOUZA			
CHECKED	U. SCHAEFER			
CHECKED	S. RAVE			
DRAWN	BAUSS			
BLOCK TITLE CLOCK CML FANOUT6 AC				
UNIVERSITY OF MAINZ		SIZE C	REV.	DRAWING NO.
SCALE				SHEET OF

REVISIONS				
ZONE	LTR	DESCRIPTION	DATE	APPR.

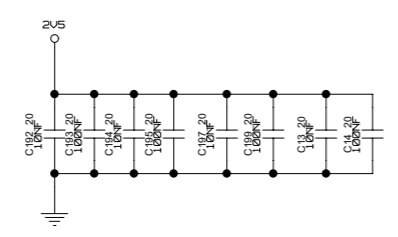
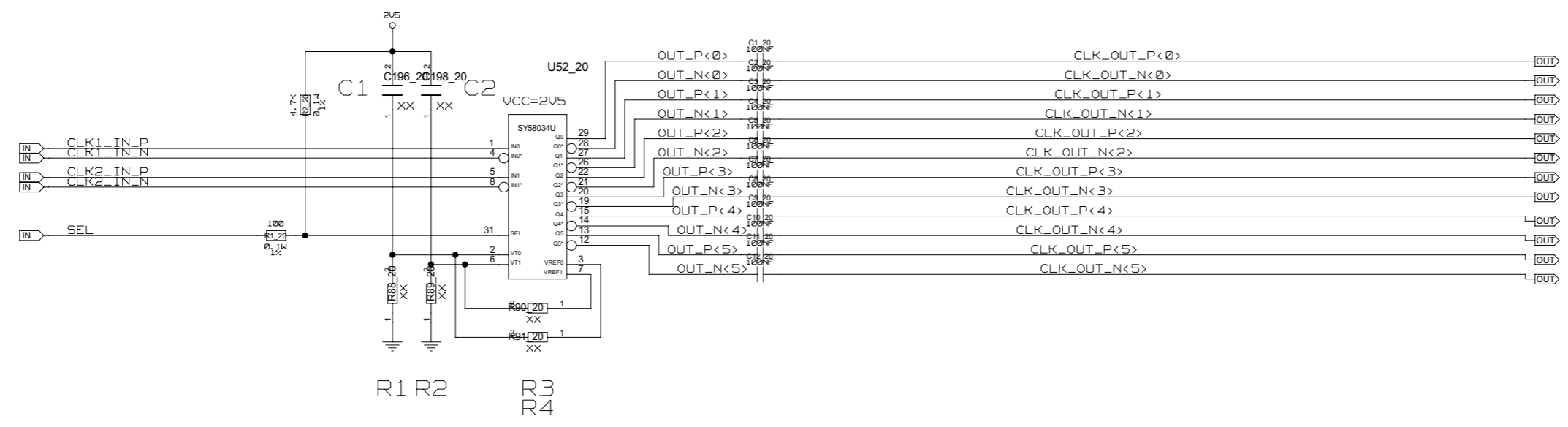


INPUT INTERFACE APPLICATIONS

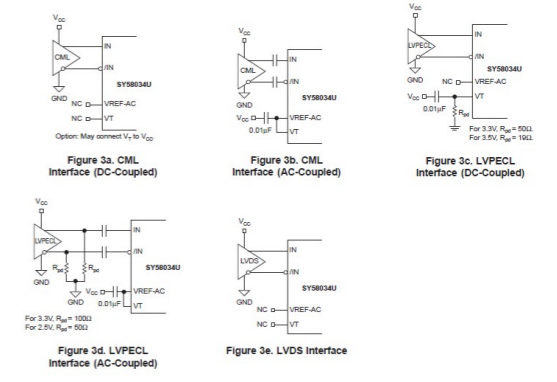


CHECKED	J. V. DE SOUZA			DRAWING TITLE CLOCK
CHECKED	U. SCHAEFER			
CHECKED	S. RAVE			
DRAWN	BAUSS			
BLOCK TITLE CLOCK CML FANOUT6 AC				
UNIVERSITY OF MAINZ		SIZE C	REV.	DRAWING NO.
SCALE				SHEET OF

REVISIONS				
ZONE	LTR	DESCRIPTION	DATE	APPR.

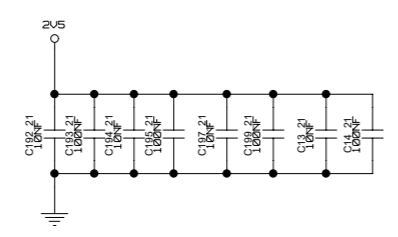
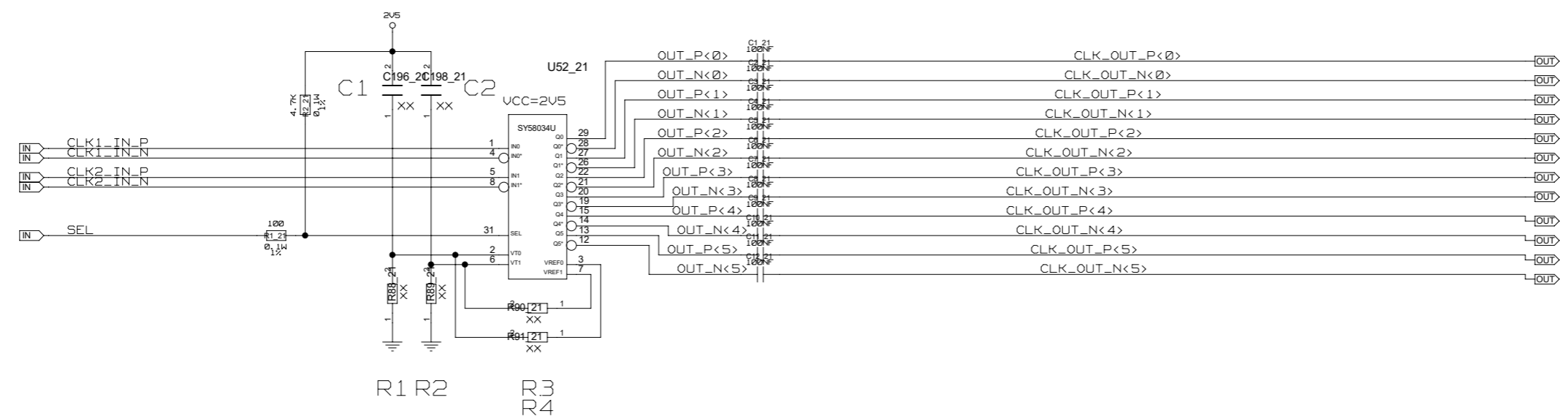


INPUT INTERFACE APPLICATIONS

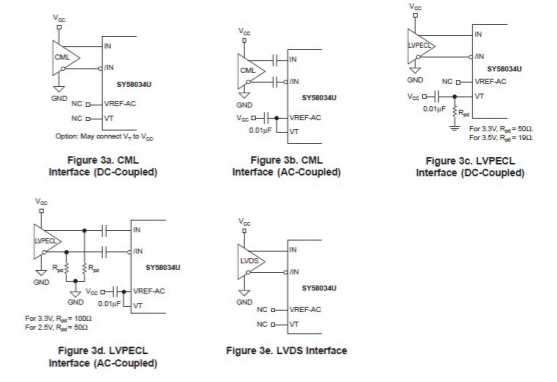


CHECKED	J. V. DE SOUZA			DRAWING TITLE CLOCK
CHECKED	U.SCHAEFER			
CHECKED	S.RAVE			
DRAWN	BAUSS			
BLOCK TITLE CLOCK CML FANOUT6 AC				
UNIVERSITY OF MAINZ		SIZE C	REV.	DRAWING NO.
SCALE				SHEET OF

REVISIONS				
ZONE	LTR	DESCRIPTION	DATE	APPR.

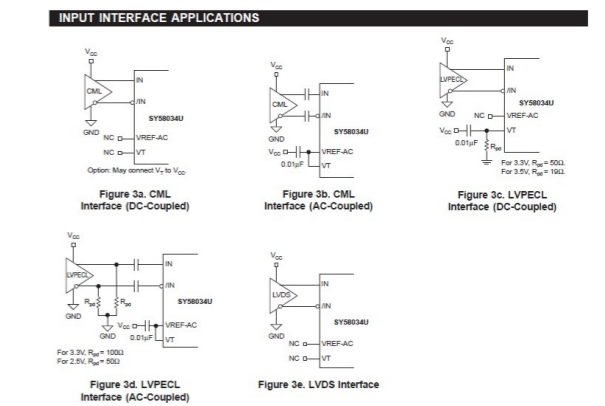
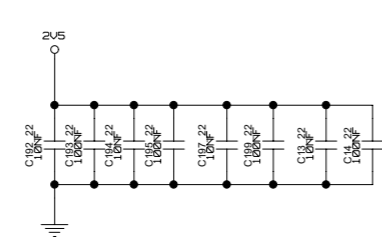
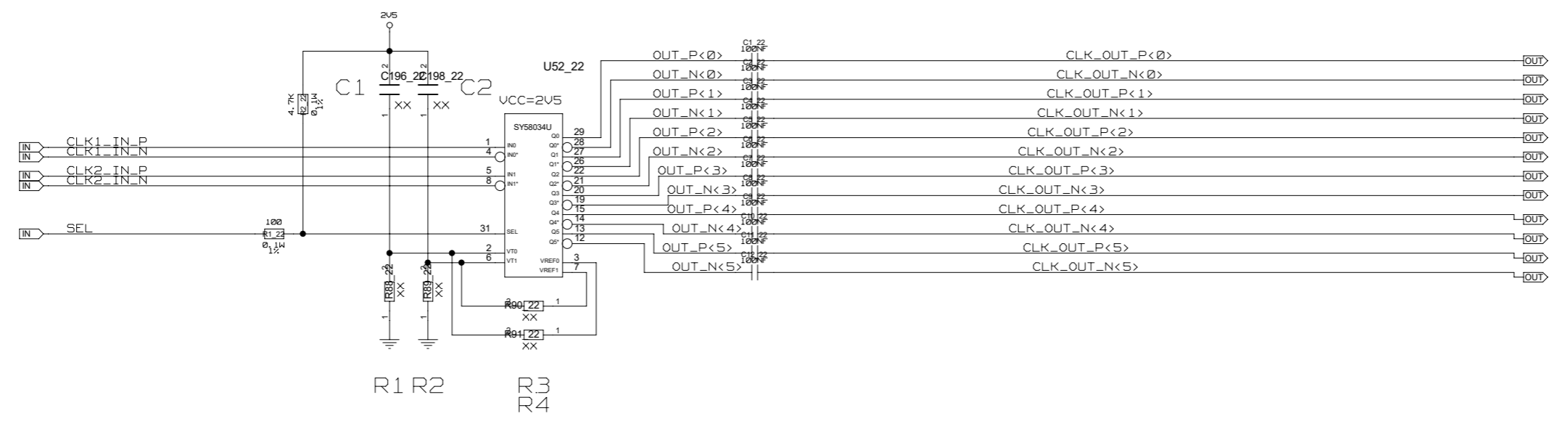


INPUT INTERFACE APPLICATIONS



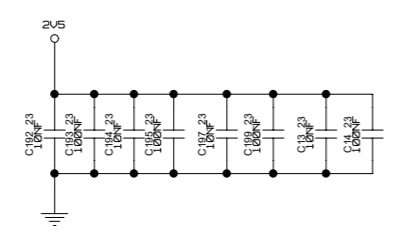
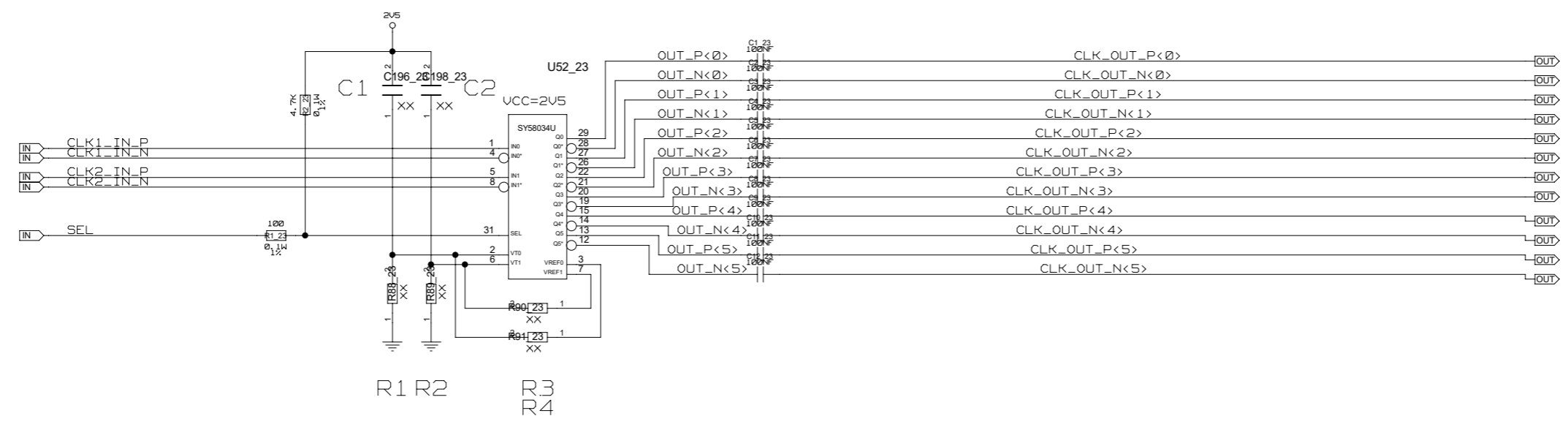
	NAME	DATE	SIGN	DRAWING TITLE CLOCK
CHECKED	J. V. DE SOUZA			
CHECKED	U. SCHAEFER			
CHECKED	S. RAVE			
DRAWN	BAUSS			
BLOCK TITLE CLOCK CML FANOUT6 AC				
UNIVERSITY OF MAINZ		SIZE C	REV.	DRAWING NO.
SCALE				SHEET OF

REVISIONS				
ZONE	LTR	DESCRIPTION	DATE	APPR.

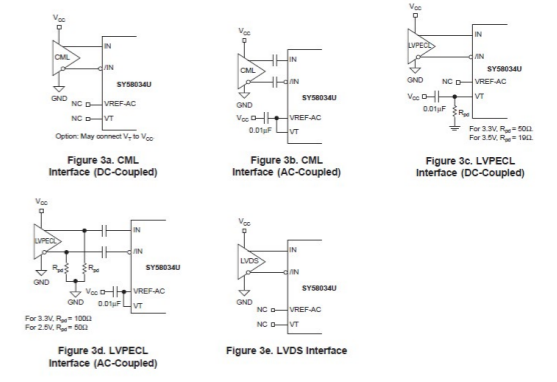


	NAME	DATE	SIGN	DRAWING TITLE CLOCK
CHECKED	J. V. DE SOUZA			
CHECKED	U. SCHAEFER			
CHECKED	S. RAVE			
DRAWN	BAUSS			
BLOCK TITLE CLOCK CML FANOUT6 AC				
UNIVERSITY OF MAINZ		SIZE C	REV.	DRAWING NO.
SCALE				SHEET OF

REVISIONS				
ZONE	LTR	DESCRIPTION	DATE	APPR.

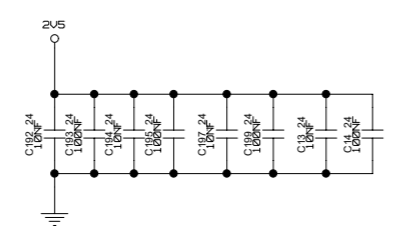
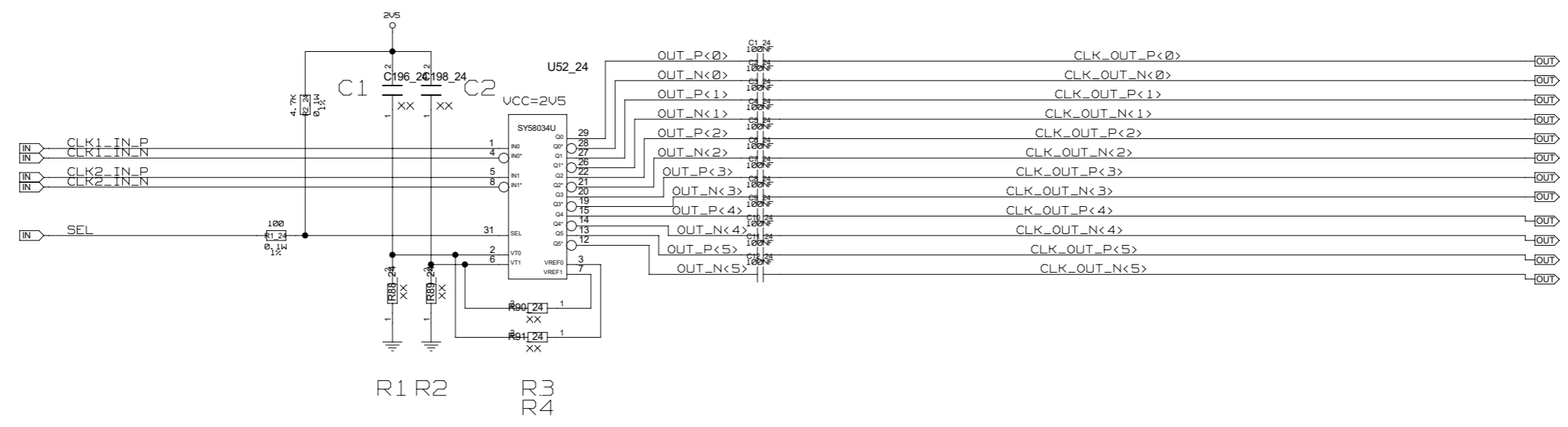


INPUT INTERFACE APPLICATIONS

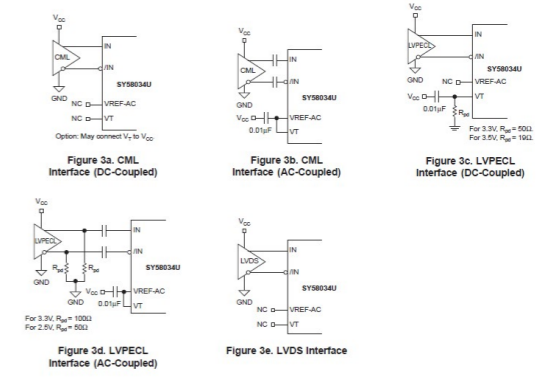


CHECKED	J. V. DE SOUZA			DRAWING TITLE CLOCK
CHECKED	U.SCHAEFER			
CHECKED	S.RAVE			
DRAWN	BAUSS			
BLOCK TITLE CLOCK CML FANOUT6 AC				
UNIVERSITY OF MAINZ		SIZE C	REV.	DRAWING NO.
SCALE				SHEET OF

REVISIONS				
ZONE	LTR	DESCRIPTION	DATE	APPR.

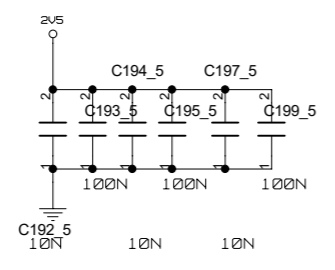
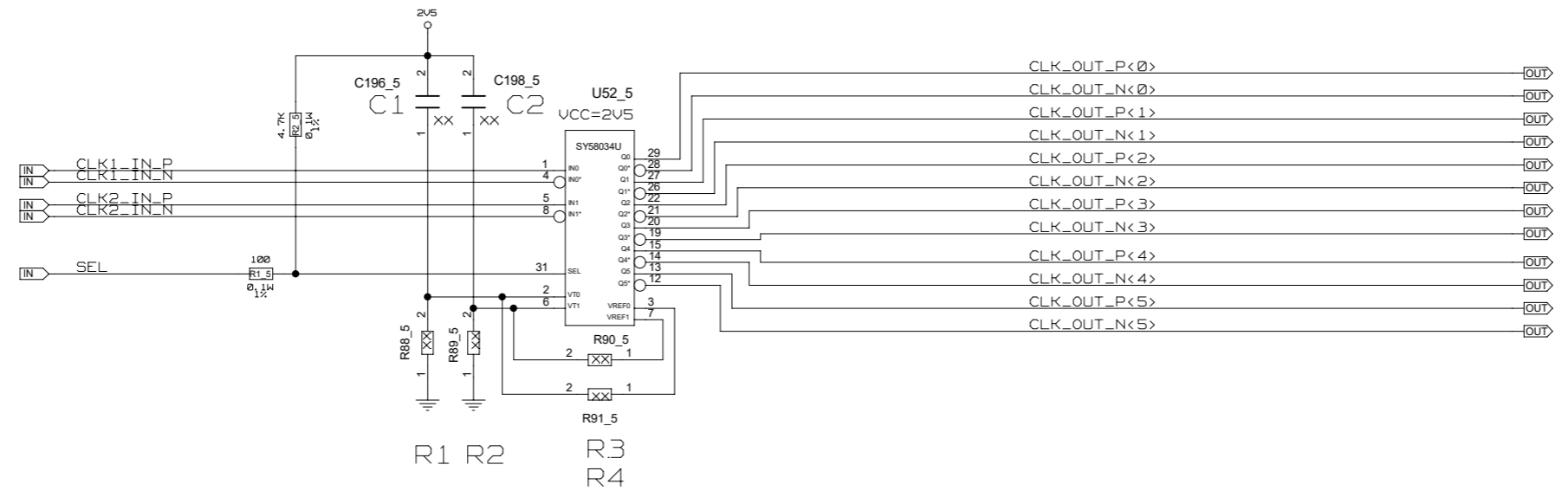


INPUT INTERFACE APPLICATIONS

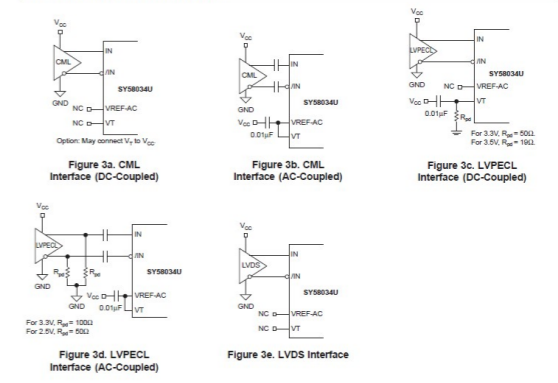


	NAME	DATE	SIGN	DRAWING TITLE CLOCK
CHECKED	J. V. DE SOUZA			
CHECKED	U. SCHAEFER			
CHECKED	S. RAVE			
DRAWN	BAUSS			
BLOCK TITLE CLOCK CML FANOUT6 AC				
UNIVERSITY OF MAINZ		SIZE C	REV.	DRAWING NO.
SCALE				SHEET OF

REVISIONS				
ZONE	LTR	DESCRIPTION	DATE	APPR.

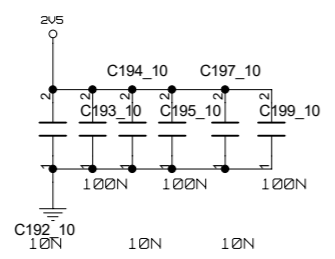
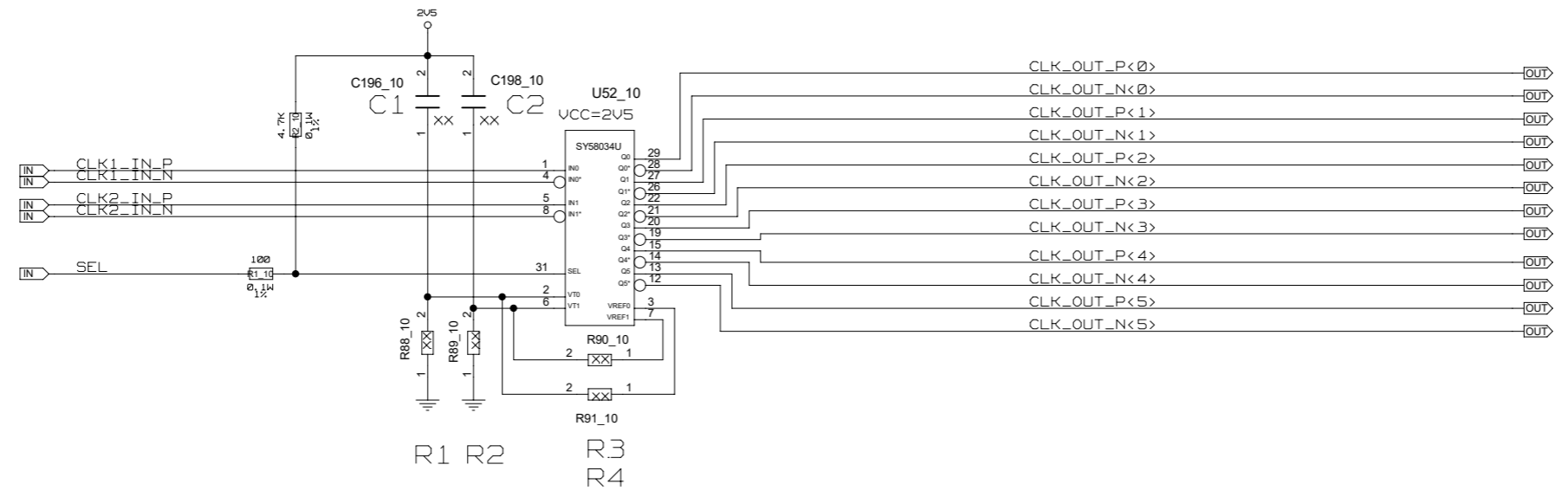


INPUT INTERFACE APPLICATIONS

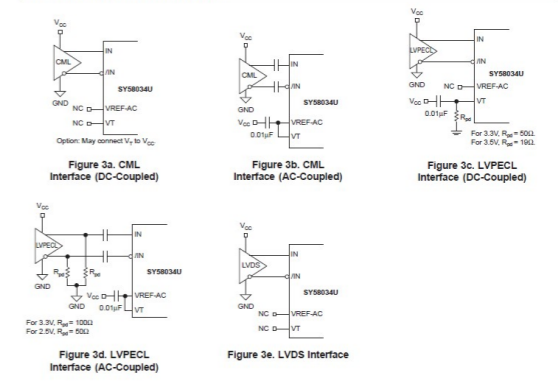


CHECKED	J. V. DE SOUZA			DRAWING TITLE CLOCK
CHECKED	U.SCHAEFER			
CHECKED	S.RAVE			
DRAWN	BAUSS			
BLOCK TITLE CLOCK_CML_FANOUT6_DC				
UNIVERSITY OF MAINZ		SIZE C	REV.	DRAWING NO.
SCALE				SHEET OF

REVISIONS				
ZONE	LTR	DESCRIPTION	DATE	APPR.

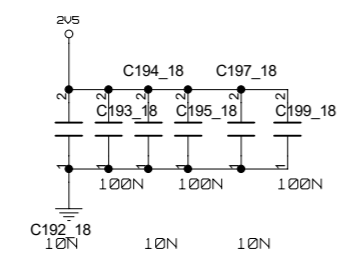
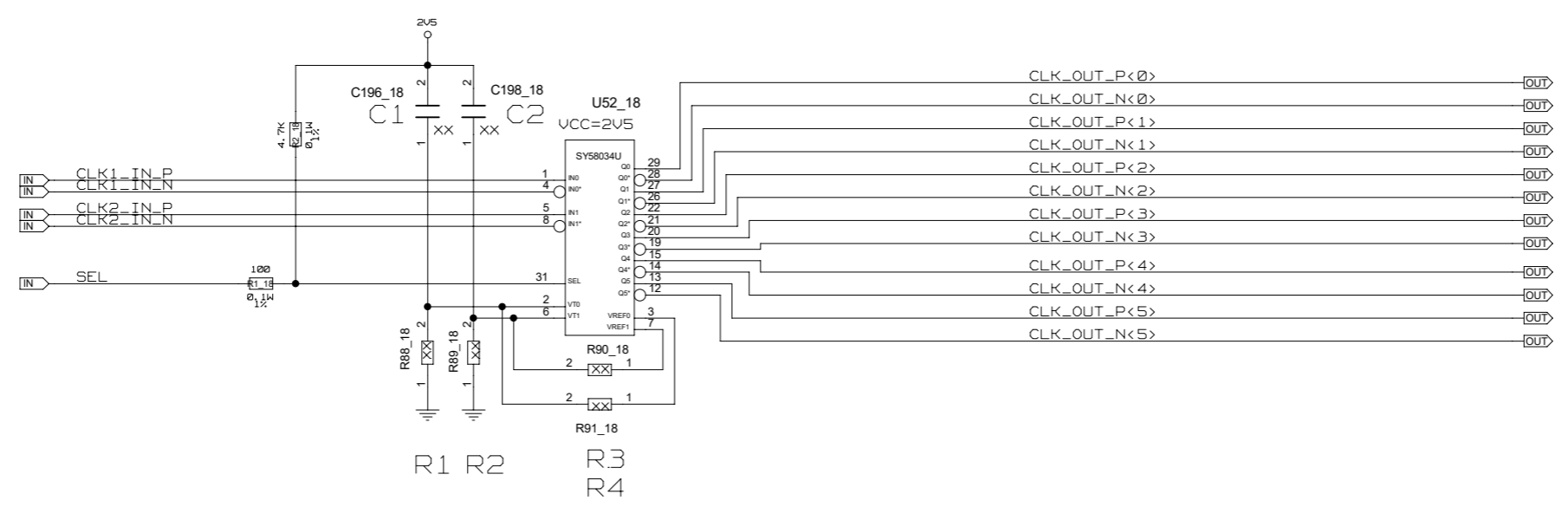


INPUT INTERFACE APPLICATIONS

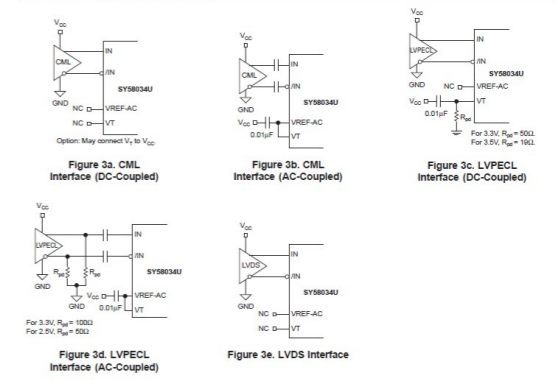


CHECKED	J. V. DE SOUZA			DRAWING TITLE CLOCK
CHECKED	U.SCHAEFER			
CHECKED	S.RAVE			
DRAWN	BAUSS			
BLOCK TITLE CLOCK_CML_FANOUT6_DC				
UNIVERSITY OF MAINZ		SIZE C	REV.	DRAWING NO.
SCALE				SHEET OF

REVISIONS				
ZONE	LTR	DESCRIPTION	DATE	APPR.

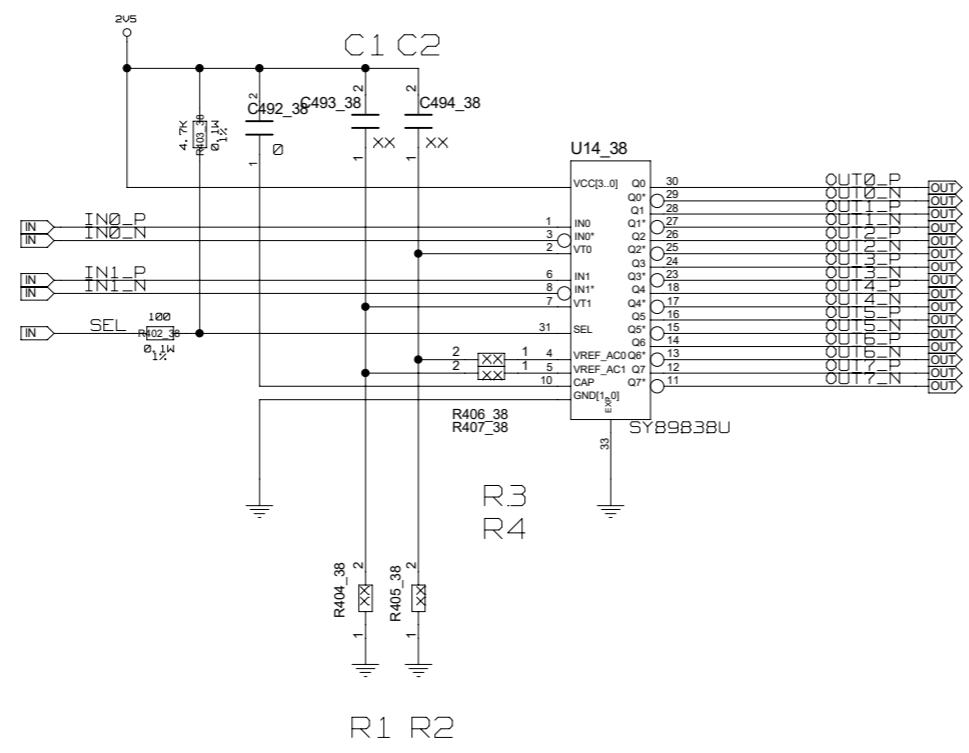


INPUT INTERFACE APPLICATIONS

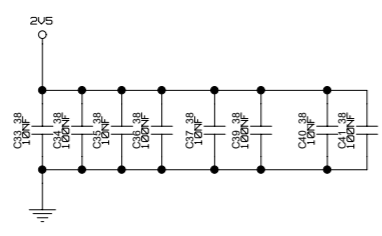


	NAME	DATE	SIGN	DRAWING TITLE	
CHECKED	J. V. DE SOUZA			CLOCK	
CHECKED	U. SCHAEFER				
CHECKED	S. RAVE				
DRAWN	BAUSS				
BLOCK TITLE				SIZE	DRAWING NO.
CLOCK_CML_FANOUT6_DC				C	REV.
UNIVERSITY OF MAINZ				SCALE	SHEET OF

REVISIONS				
ZONE	LTR	DESCRIPTION	DATE	APPR.

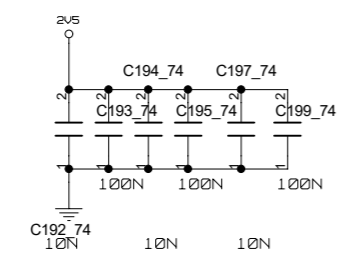
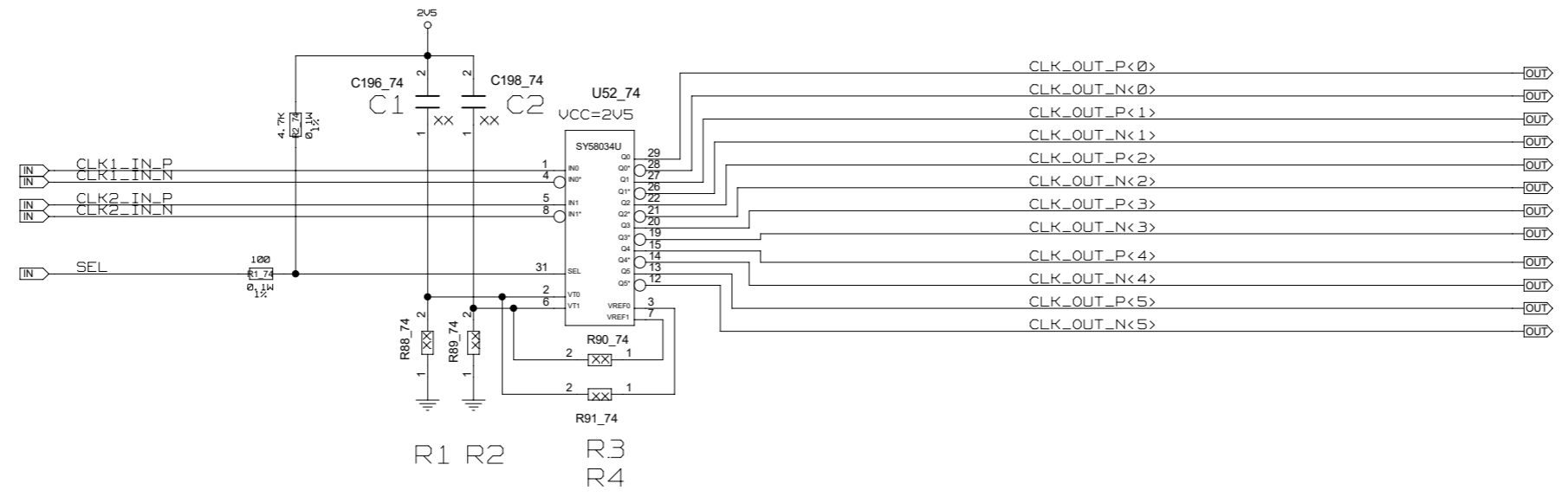


OUT0_P1	2	R408_38
OUT0_N1	2	R408_38
OUT1_P1	2	R409_38
OUT1_N1	2	R409_38
OUT2_P1	2	R410_38
OUT2_N1	2	R410_38
OUT3_P1	2	R411_38
OUT3_N1	2	R411_38
OUT4_P1	2	R412_38
OUT4_N1	2	R412_38
OUT5_P1	2	R413_38
OUT5_N1	2	R413_38
OUT6_P1	2	R414_38
OUT6_N1	2	R414_38
OUT7_P1	2	R415_38
OUT7_N1	2	R415_38

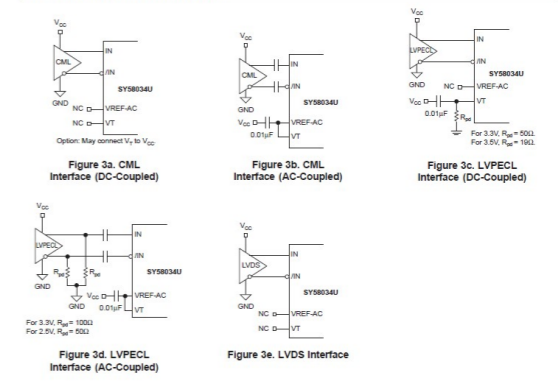


NAME	DATE	SIGN	DRAWING TITLE	
CHECKED	J. V. DE SOUZA		CLOCK	
CHECKED	U. SCHAEFER			
CHECKED	S. RAVE			
DRAWN	BAUSS			
BLOCK TITLE			DRAWING NO.	
CLOCK_LVDS_FANOUT8			SIZE	REV.
UNIVERSITY OF MAINZ			C	
			SCALE	SHEET OF

REVISIONS				
ZONE	LTR	DESCRIPTION	DATE	APPR.

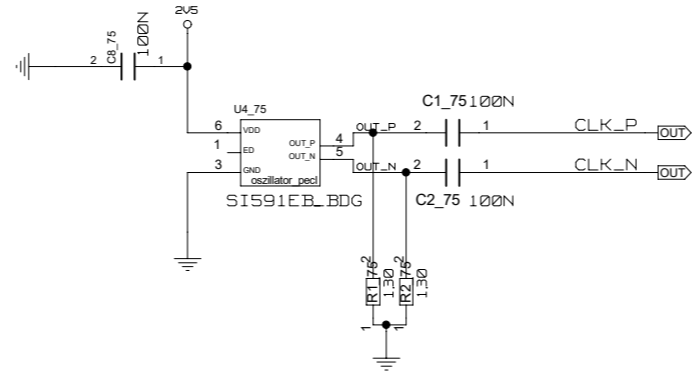


INPUT INTERFACE APPLICATIONS



	NAME	DATE	SIGN	DRAWING TITLE	
CHECKED	J. V. DE SOUZA			CLOCK	
CHECKED	U. SCHAEFER				
CHECKED	S. RAVE				
DRAWN	BAUSS				
BLOCK TITLE				SIZE	DRAWING NO.
CLOCK_CML_FANOUT6_DC				C	REV.
UNIVERSITY OF MAINZ				SCALE	SHEET OF

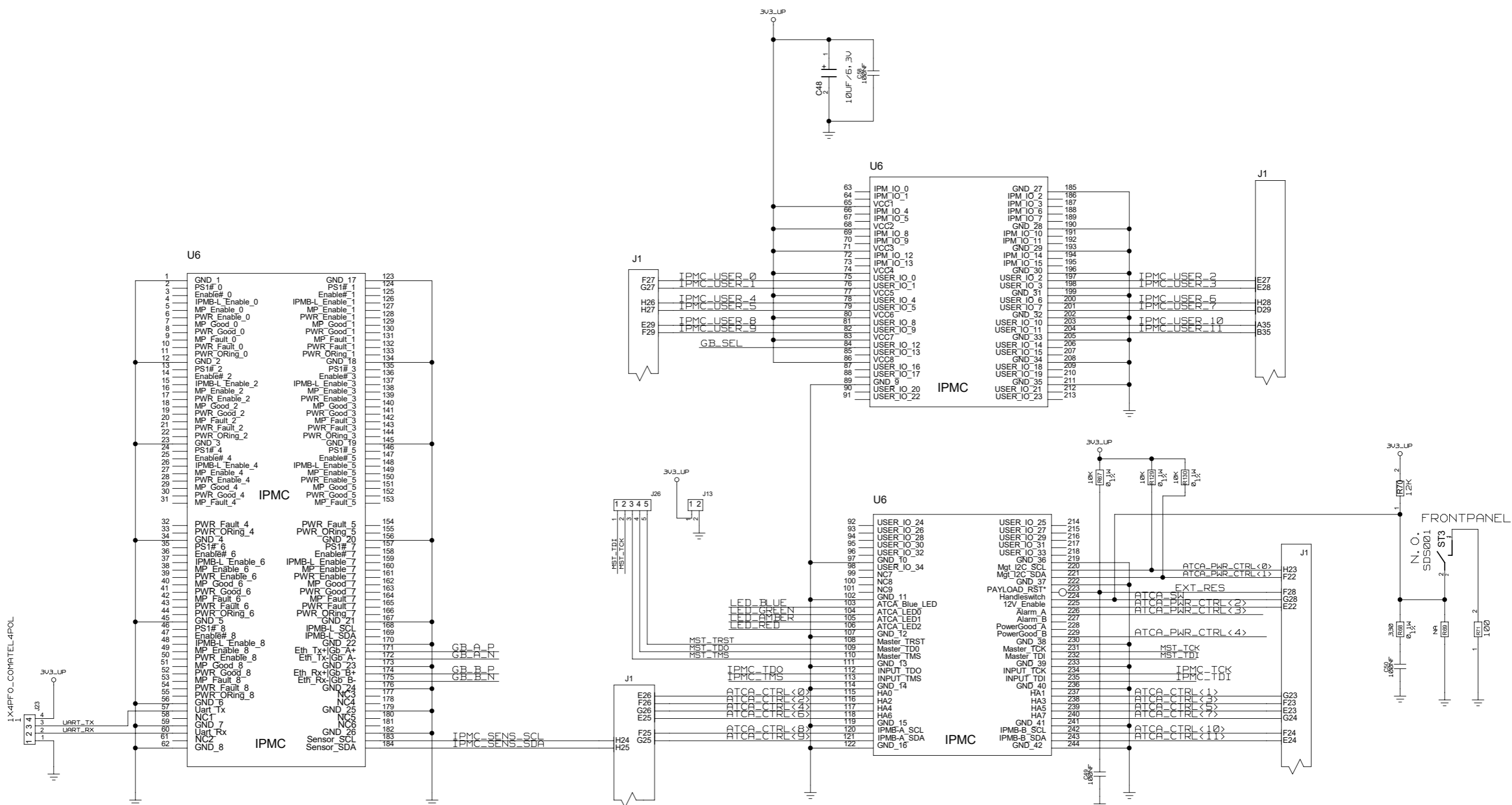
REVISIONS				
ZONE	LTR	DESCRIPTION	DATE	APPR.



CHECKED	J. V. DE SOUZA			DRAWING TITLE CLOCK
CHECKED	U. SCHAEFER			
CHECKED	S. RAVE			
DRAWN	BAUSS			
BLOCK TITLE CLOCK_LVPECL_AC				
UNIVERSITY OF MAINZ		SIZE C	REV.	DRAWING NO.
SCALE				SHEET OF

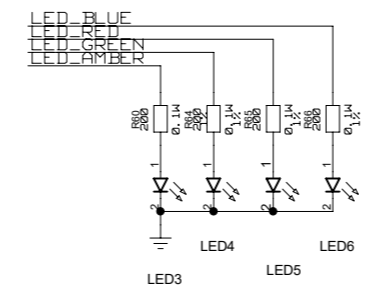
IPMC CONNECTOR MOLEX_87782-3003

REVISIONS				
ZONE	LTR	DESCRIPTION	DATE	APPR.



ATCA_HA<0..7> BACKPLANE + MEZZANINE
 ATCA_A/B_SCL/SDA BACKPLANE + MEZZANINE

ATCA_CTRL<11..0>
 ATCA_PWR_CTRL<4..0>

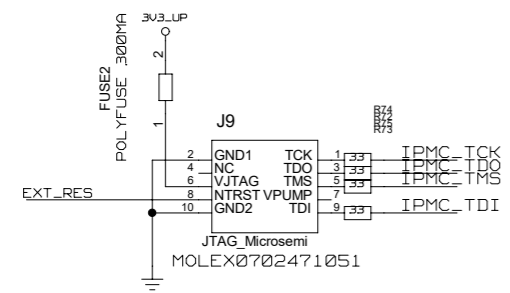


NAME	DATE	SIGN	DRAWING TITLE
CHECKED J.V.DE SOUZA			JFEX
CHECKED U.SCHAEFER			
CHECKED S.RAVE			
DRAWN BAUSS	30.10.2015		
BLOCK TITLE			
IPMC			
UNIVERSITY OF MAINZ			
SIZE	REV.	DRAWING NO.	
SCALE		SHEET OF	

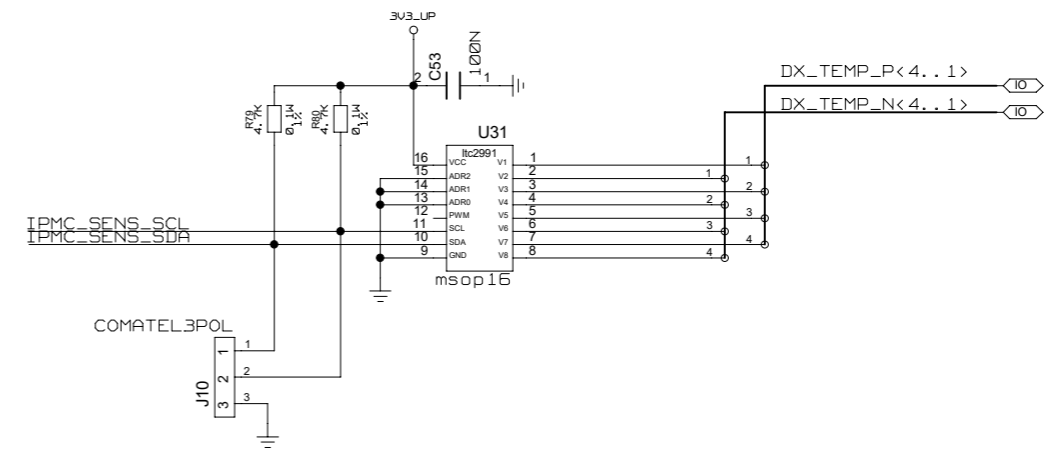
REVISIONS				
ZONE	LTR	DESCRIPTION	DATE	APPR.

IPMC CONTROL

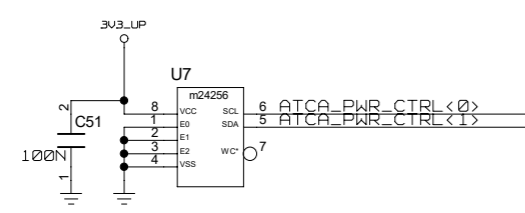
IPMC JTAG PORT FRONT PANEL



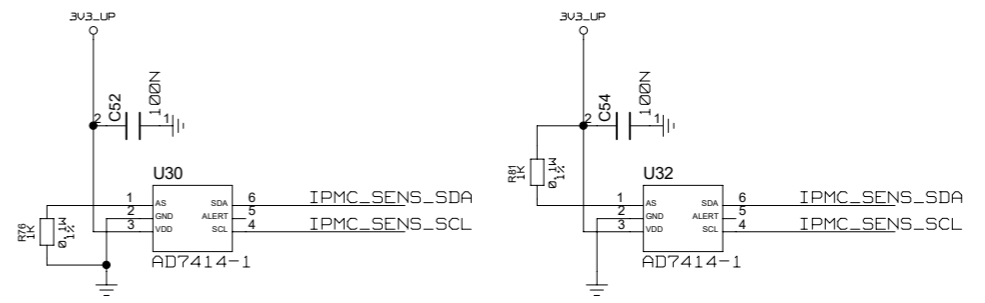
I2C FPGA TEMPERATURE



MEMORY



I2C BOARDTEMP

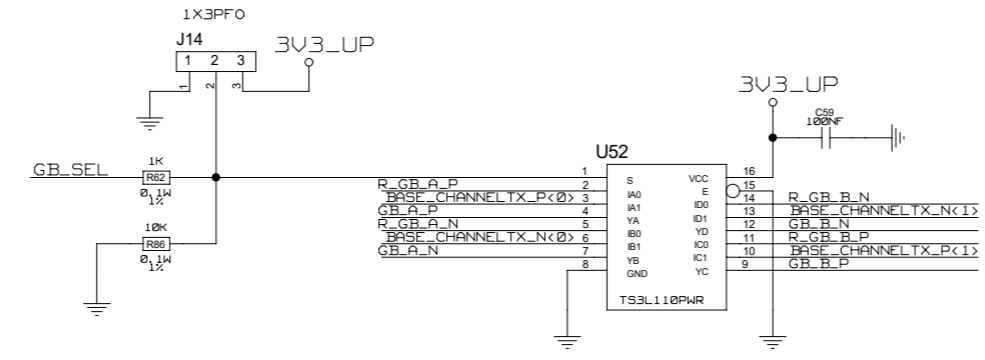


	NAME	DATE	SIGN	DRAWING TITLE	
CHECKED	J. V. DE SOUZA			JFEX	
CHECKED	U. SCHAEFER				
CHECKED	S. RAVE				
DRAWN	BAUSS	23.07.2015			
BLOCK TITLE				DRAWING NO.	
IPMC				SIZE	REV.
UNIVERSITY OF MAINZ				SCALE	SHEET OF

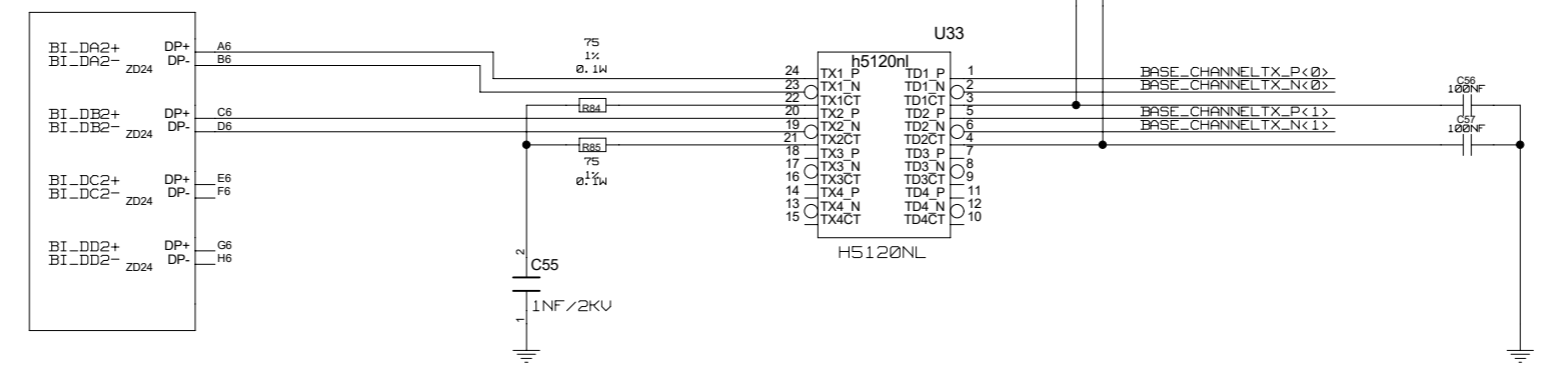
REVISIONS				
ZONE	LTR	DESCRIPTION	DATE	APPR.

IPMC CONTROL

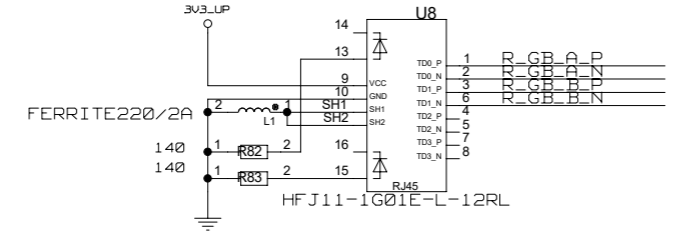
ETHERNET SWITCH



BACKPLANE BASE CHANNEL2

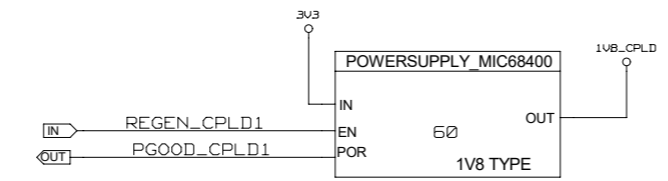
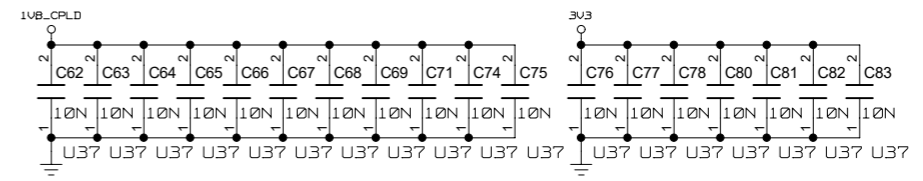
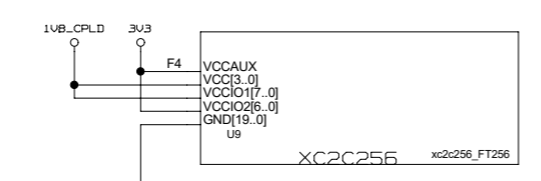
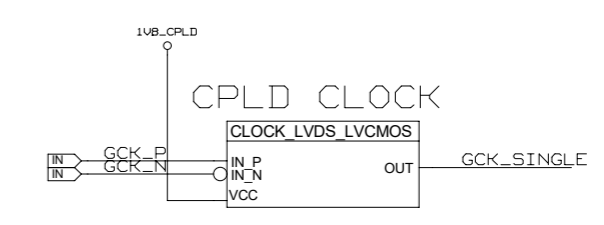
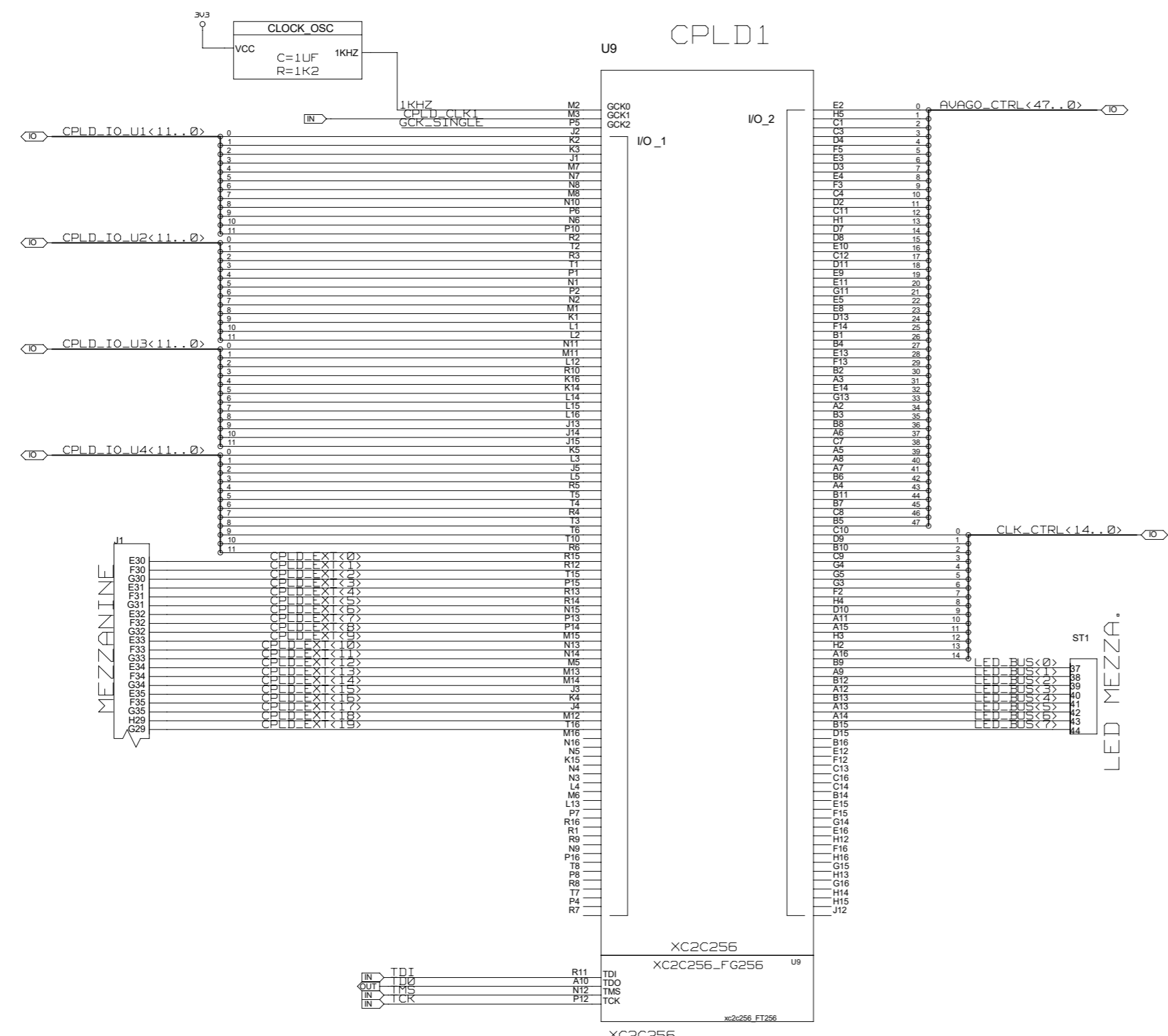


RJ45 FRONT PANEL



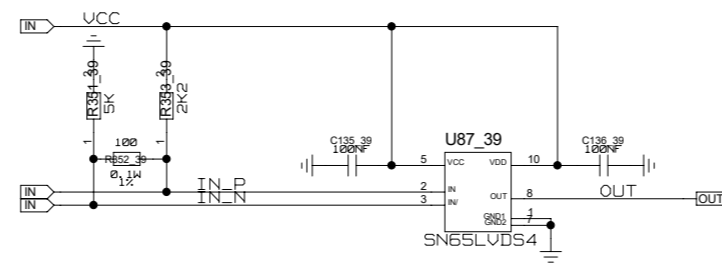
NAME	DATE	SIGN	DRAWING TITLE
CHECKED J. V. DE SOUZA			JFEX
CHECKED U. SCHAEFER			
CHECKED S. RAVE			
DRAWN BAUSS			
BLOCK TITLE			
IPMC			
UNIVERSITY OF MAINZ		SIZE C	REV.
		SCALE	DRAWING NO.
			SHEET OF

REVISIONS				
ZONE	LTR	DESCRIPTION	DATE	APPR.



NAME	DATE	SIGN	DRAWING TITLE
CHECKED	J. V. DE SOUZA		CONTROL AND CONFIG CPLD
CHECKED	U.SCHAEFER		
CHECKED	S.RAVE		
DRAWN	BAUSS	22.07.2015	
BLOCK TITLE			CPLD
UNIVERSITY OF MAINZ		SIZE	DRAWING NO.
		SCALE	SHEET 1 OF 1

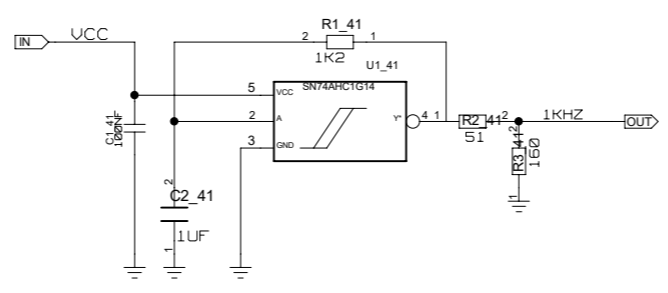
REVISIONS				
ZONE	LTR	DESCRIPTION	DATE	APPR.



CHECKED	J. V. DE SOUZA			DRAWING TITLE JFEX
CHECKED	U. SCHAEFER			
CHECKED	S. RAVE			
DRAWN	BAUSS			
BLOCK TITLE CLOCK_LVDS_LVCMOS				
UNIVERSITY OF MAINZ		SIZE C	REV.	DRAWING NO.
SCALE				SHEET OF

REVISIONS				
ZONE	LTR	DESCRIPTION	DATE	APPR.

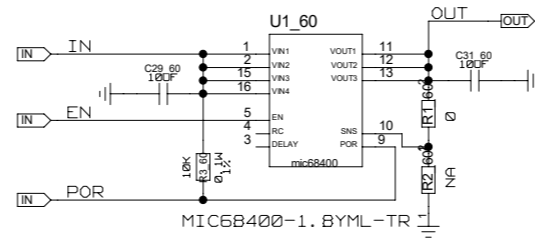
CPLD CLOCK



CHECKED	J. V. DE SOUZA			DRAWING TITLE	
CHECKED	U. SCHAEFER				
CHECKED	S. RAVE				
DRAWN	BAUSS				
BLOCK TITLE				<p style="text-align: center; font-size: 2em;">JFEX</p>	
UNIVERSITY OF MAINZ			SIZE		REV.
			SCALE		DRAWING NO.
			SHEET	OF	

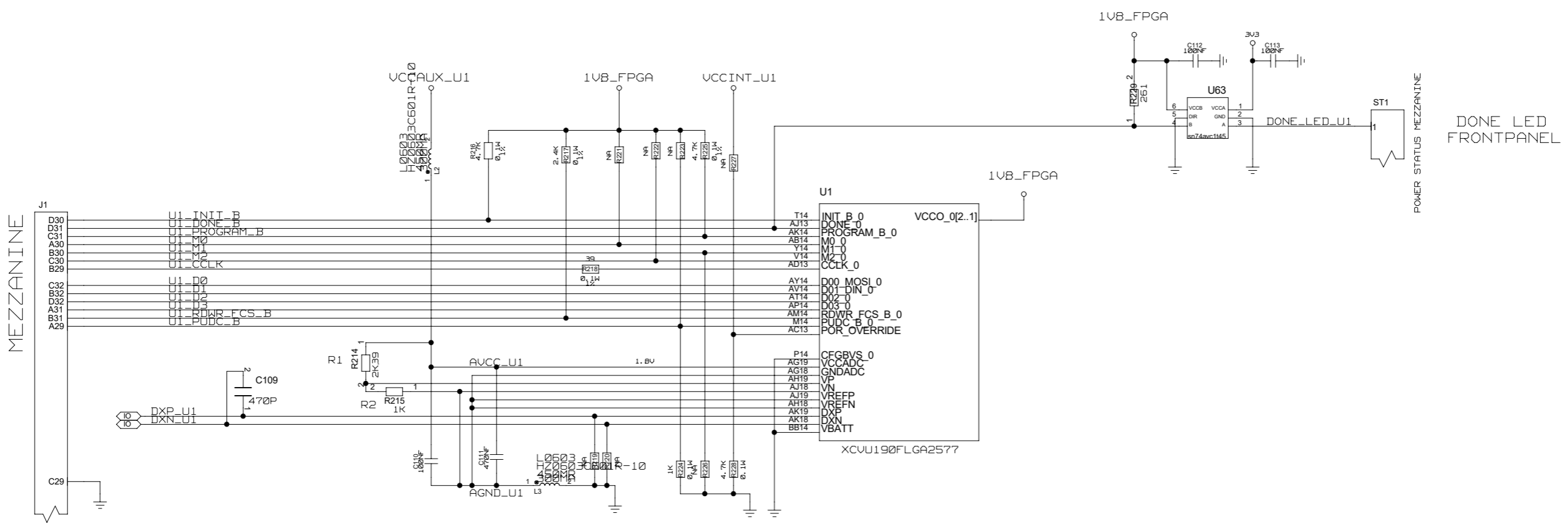
REVISIONS				
ZONE	LTR	DESCRIPTION	DATE	APPR.

POWERSUPPLY_MIC68400



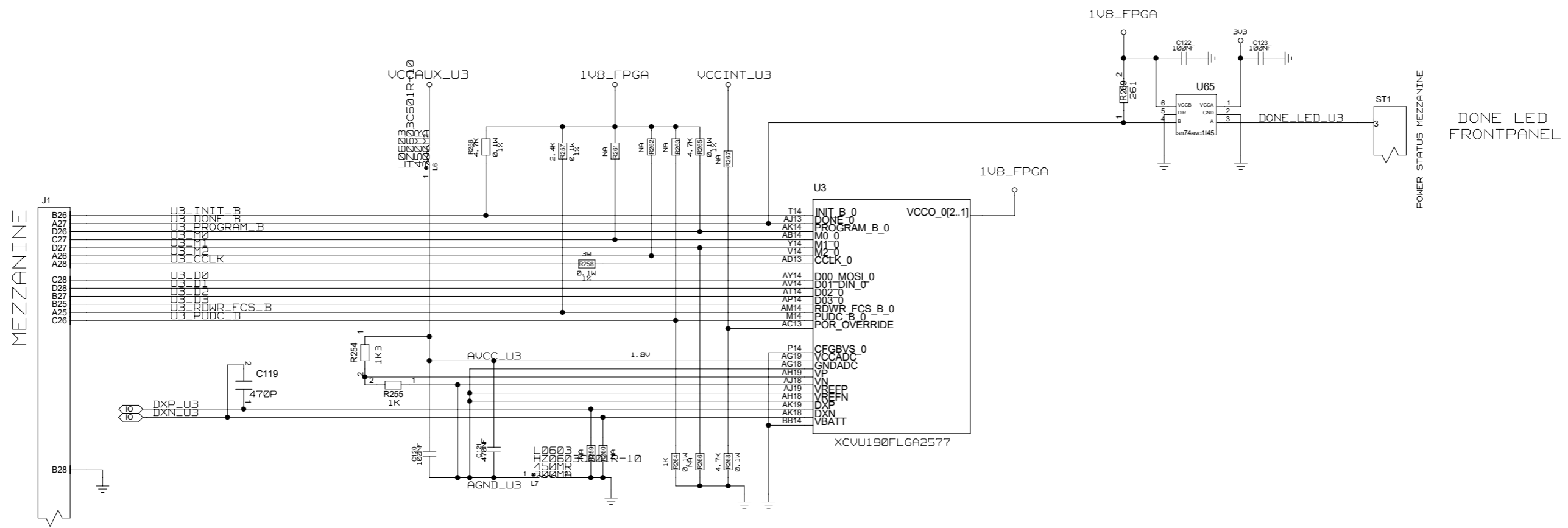
	NAME	DATE	SIGN	DRAWING TITLE	
CHECKED	J. V. DE SOUZA			POWERSUPPLY_MIC68400	
CHECKED	U. SCHAEFER				
CHECKED	S. RAVE				
DRAWN	BAUSS				
BLOCK TITLE				SIZE	DRAWING NO.
UNIVERSITY OF MAINZ				C	REV.
SCALE					SHEET OF

REVISIONS				
ZONE	LTR	DESCRIPTION	DATE	APPR.



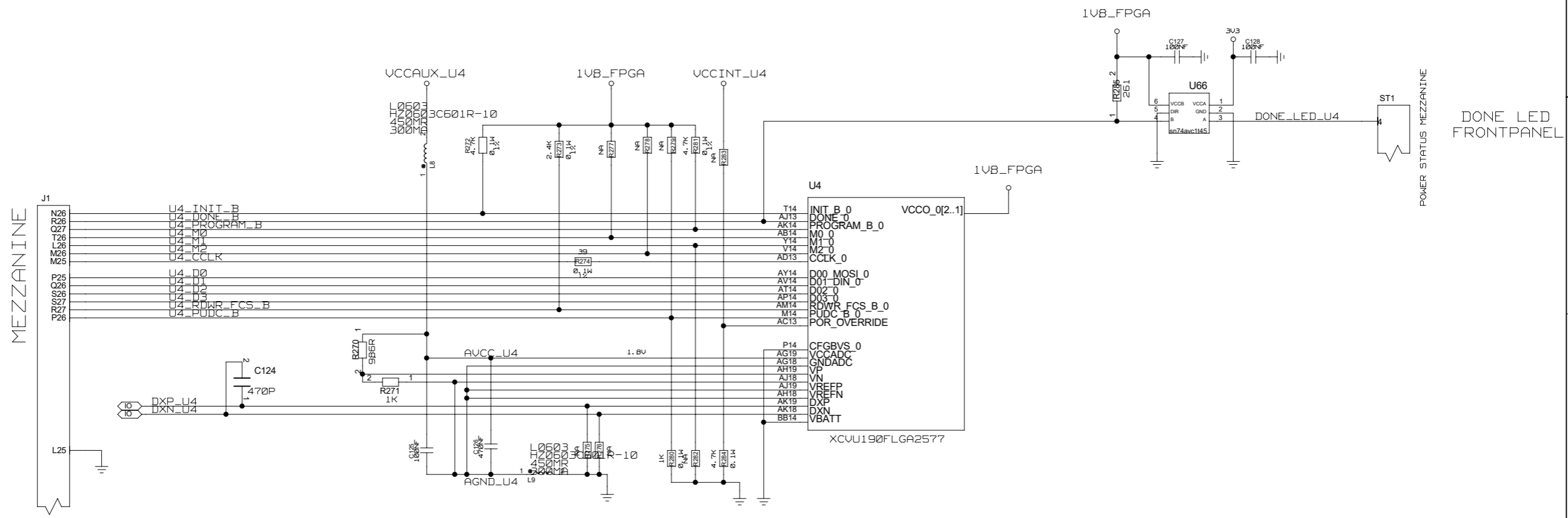
NAME	DATE	SIGN	DRAWING TITLE	
CHECKED J. V. DE SOUZA			JFEX	
CHECKED U. SCHAEFER				
CHECKED S. RAVE				
DRAWN BAUSS	17. 09. 2015			
BLOCK TITLE			SIZE	REV.
CONFIGURATION PROCESSOR U1			C	
UNIVERSITY OF MAINZ			SCALE	DRAWING NO.
				SHEET 1 OF 1

REVISIONS				
ZONE	LTR	DESCRIPTION	DATE	APPR.



NAME	DATE	SIGN	DRAWING TITLE
CHECKED J. V. DE SOUZA			JFEX
CHECKED U. SCHAEFER			
CHECKED S. RAVE			
DRAWN BAUSS			
BLOCK TITLE			
CONFIGURATION PROCESSOR U3			
UNIVERSITY OF MAINZ		SIZE C	DRAWING NO.
SCALE		REV.	SHEET OF

REVISIONS				
ZONE	LTR	DESCRIPTION	DATE	APPR.



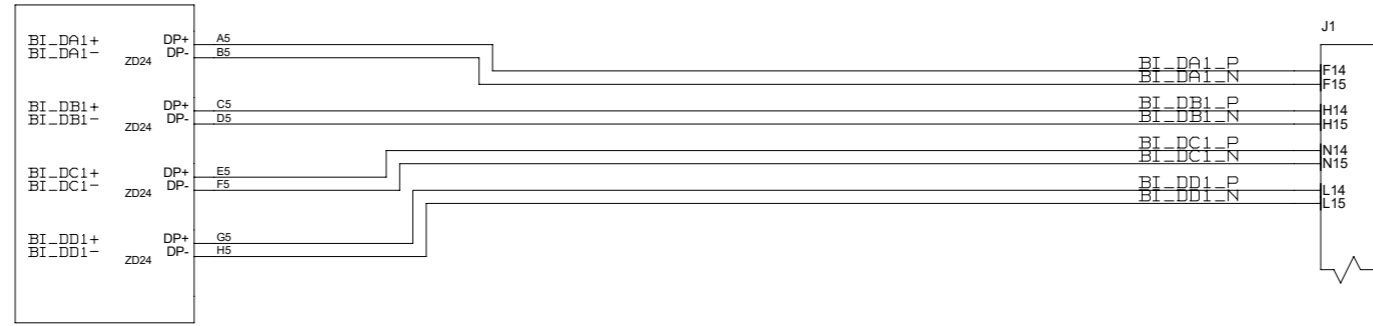
NAME	DATE	SIGN	DRAWING TITLE
CHECKED J. V. DE SOUZA			JFEX
CHECKED U. SCHAEFER			
CHECKED S. RAVE			
DRAWN BAUSS			
BLOCK TITLE			
CONFIGURATION PROCESSOR U4			
UNIVERSITY OF MAINZ		SIZE	DRAWING NO.
		SCALE	SHEET OF

REVISIONS				
ZONE	LTR	DESCRIPTION	DATE	APPR.

IPBUS

BACKPLANE BASE CHANNEL 1

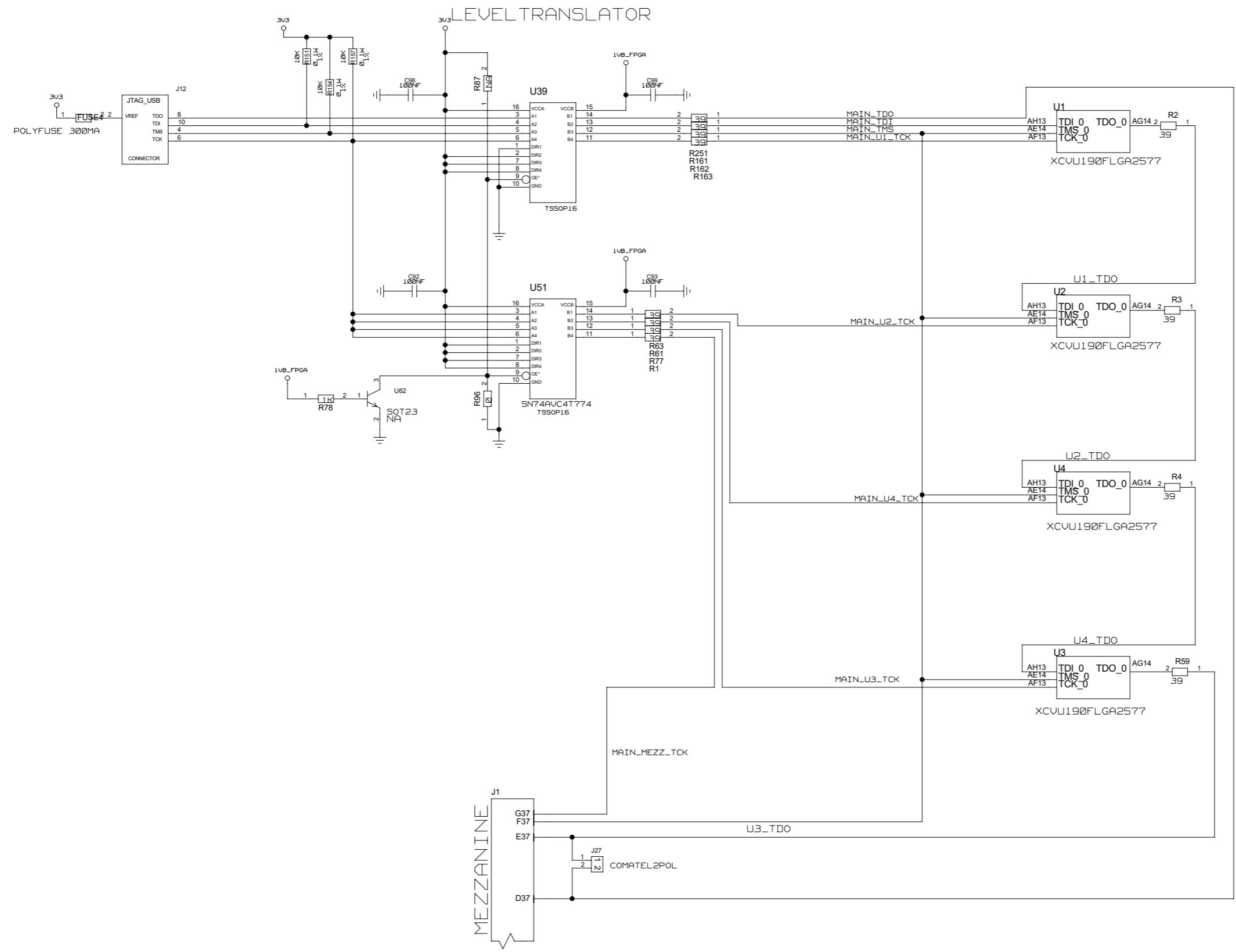
MEZZANINE



CHECKED	J. V. DE SOUZA			DRAWING TITLE
CHECKED	U. SCHAEFER			
CHECKED	S. RAVE			
DRAWN	BAUSS	05. 11. 2015		
BLOCK TITLE				<h1>JFEX</h1>
UNIVERSITY OF MAINZ				
SIZE	REV.	DRAWING NO.		
SCALE			SHEET OF	

REVISIONS				
ZONE	LTR	DESCRIPTION	DATE	APPR.

JTAG CHAIN



NAME	DATE	SIGN	DRAWING TITLE
CHECKED J. V. DE SOUZA			JFEX
CHECKED U. SCHAEFER			
CHECKED S. RAVE			
DRAWN BAUSS	08.05.2017		
BLOCK TITLE			
JTAG			
UNIVERSITY OF MAINZ			
SIZE	REV.	DRAWING NO.	
C			
SCALE		SHEET OF	