

REVISIONS				
ZONE	LTR	DESCRIPTION	DATE	APPR.

CI

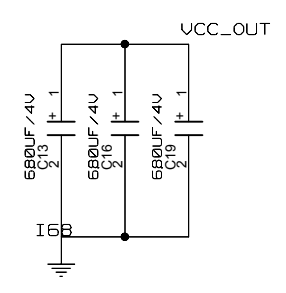
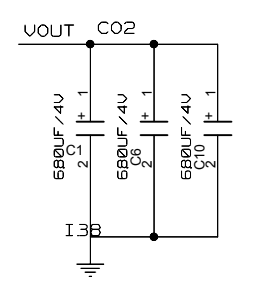
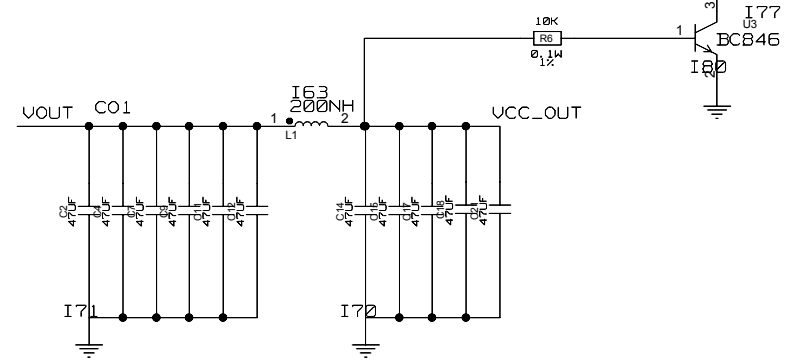
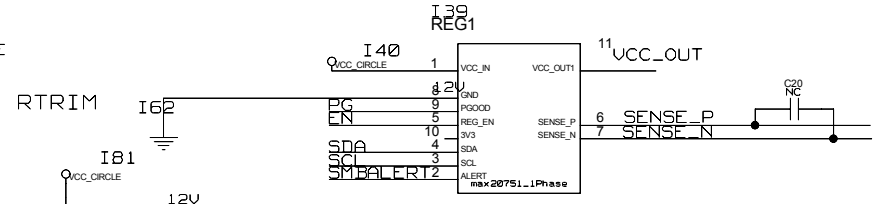
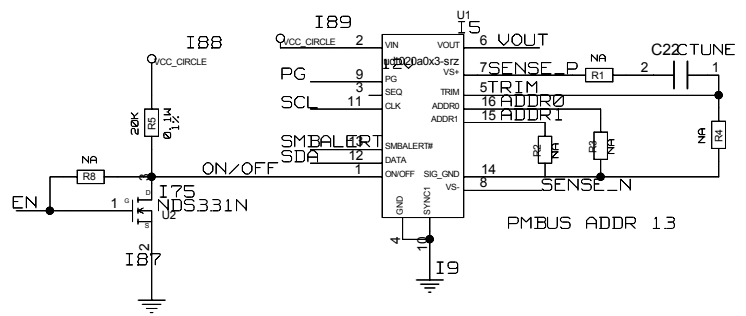
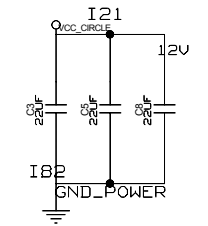


Table 1

$V_{o, set}$ (V)	$R_{trim}$ (k $\Omega$ )
0.6	Open
0.9	40
1.0	30
1.2	20
1.5	13.33
1.8	10
2.5	6.316
3.3	4.444
5.0	2.727

UNIVERSITY OF MAINZ	DRAWING TITLE		
	SIZE <b>C</b>	REV.	DRAWING NO.
	SCALE		SHEET OF