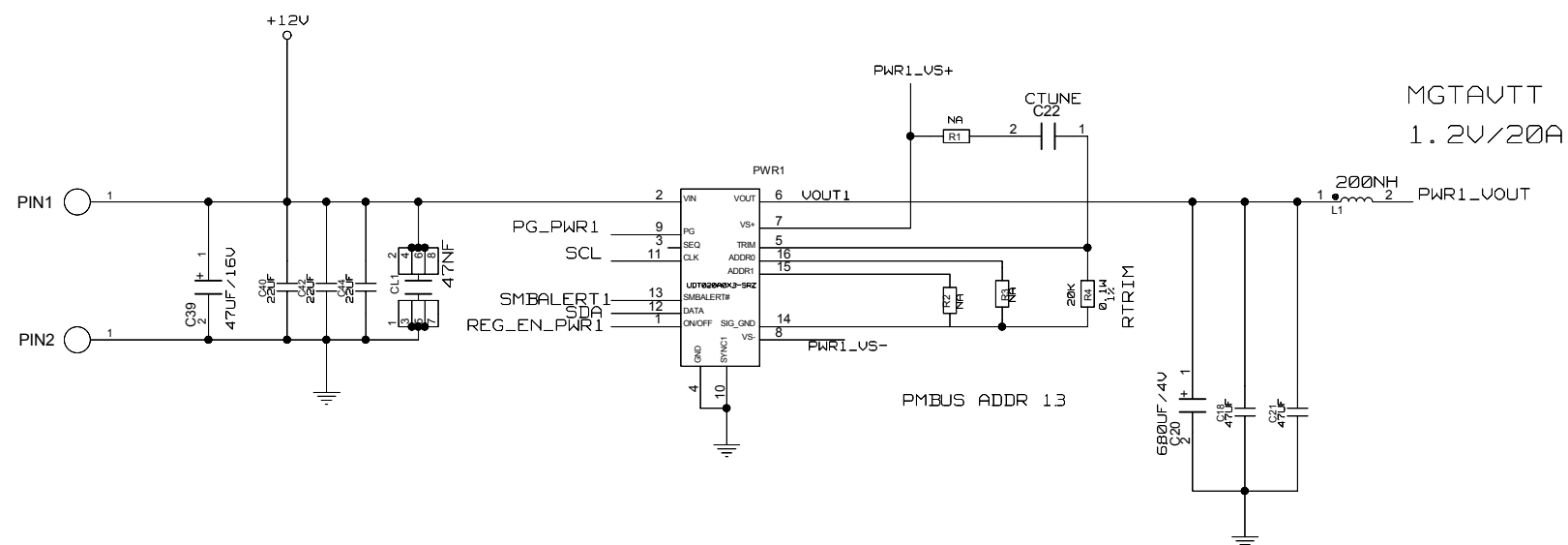


REVISIONS				
ZONE	LTR	DESCRIPTION	DATE	APPR.

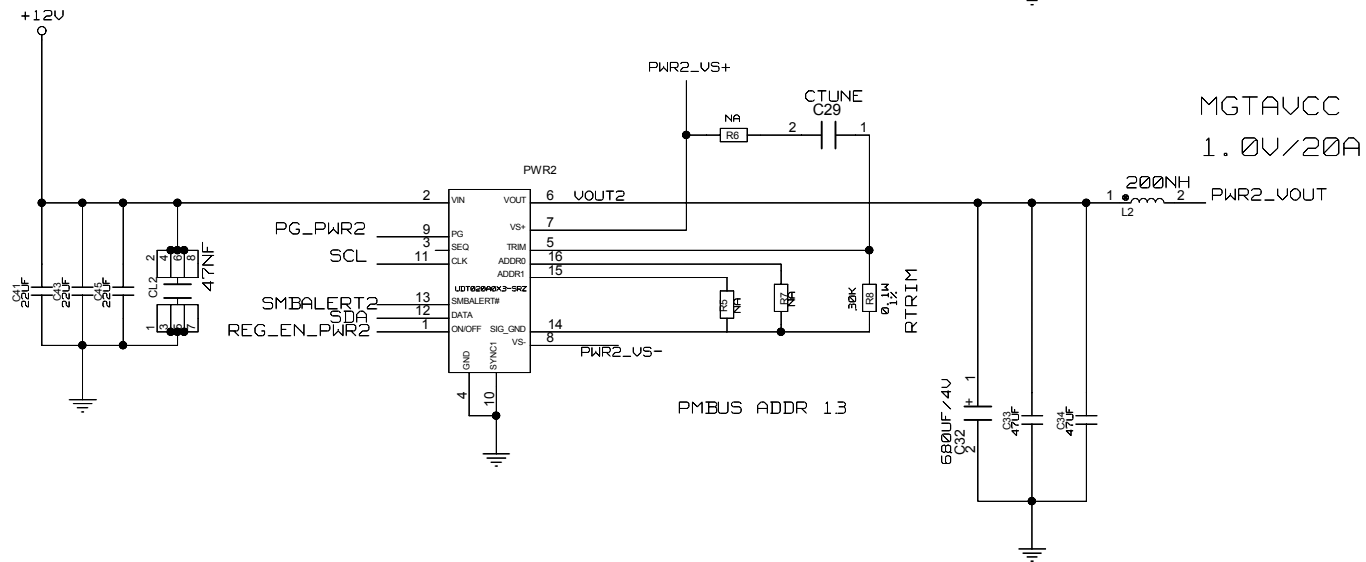
UDT020 RTRIM

Table 1

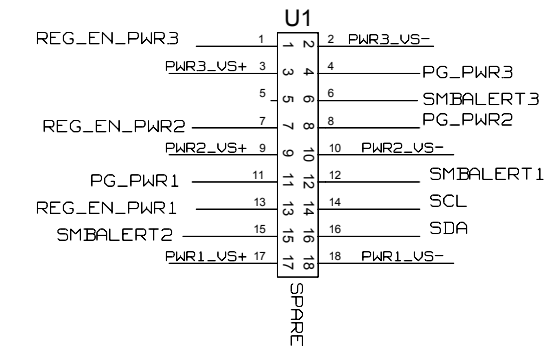
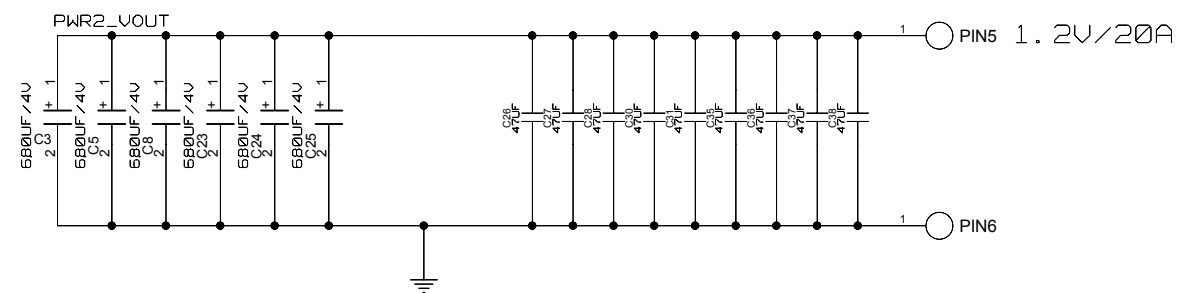
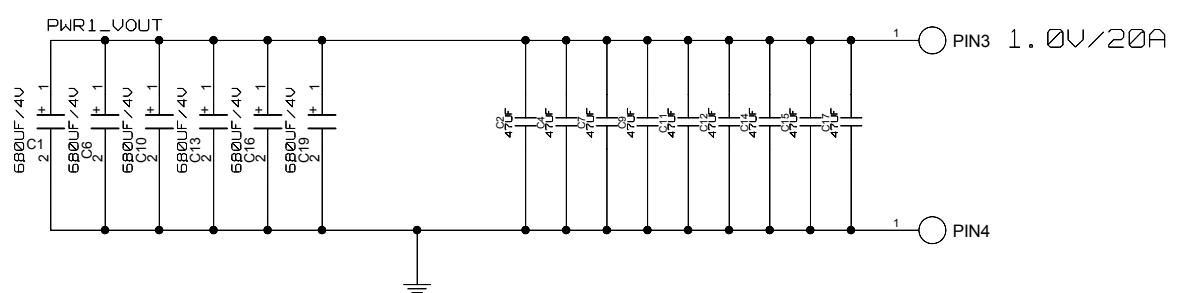
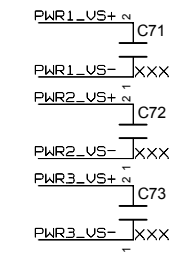
$V_{0, set}$ (V)	Rtrim (K $\Omega$ )
0.6	Open
0.9	40
1.0	30
1.2	20
1.5	13.33
1.8	10
2.5	6.316
3.3	4.444
5.0	2.727



MGTAVTT  
1.2V/20A

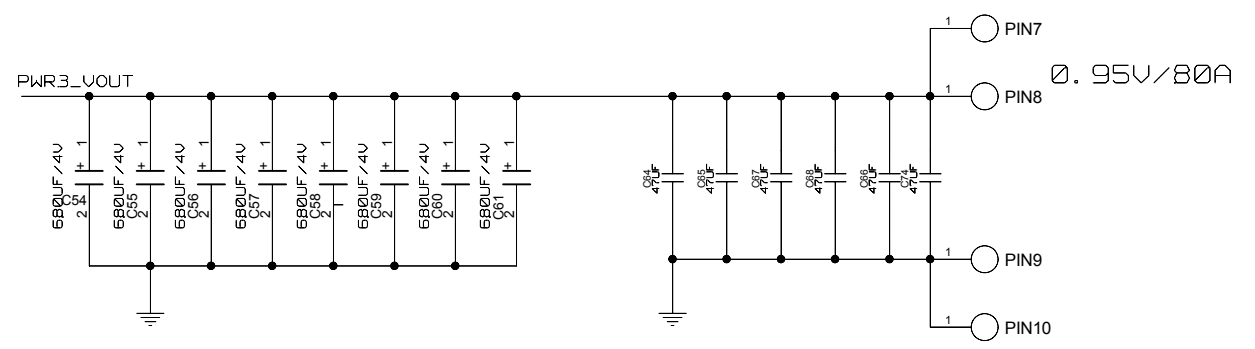
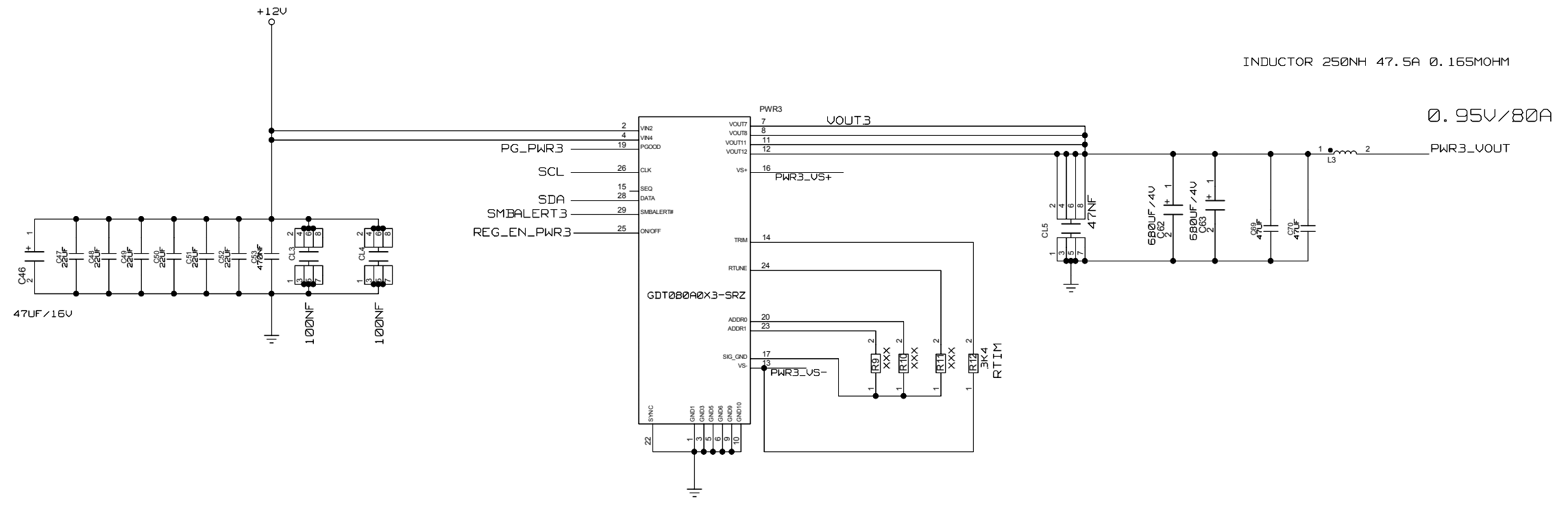


MGTAVCC  
1.0V/20A



CHECKED	E.ROCCO	DATE	SIGN	DRAWING TITLE  <b>JFEX</b> GE POWERSUPPLY
CHECKED	U.SCHAEFER			
CHECKED	S.RAVE			
DRAWN	BAUSS			
BLOCK TITLE  <b>UNIVERSITY OF MAINZ</b>				SIZE <b>C</b>
SCALE			REV.	DRAWING NO.
				SHEET OF

REVISIONS				
ZONE	LTR	DESCRIPTION	DATE	APPR.



GDT080 RTRIM

Table 1

V <sub>o, set</sub> (V)	RT <sub>trim</sub> (KΩ)
0.6	Open
0.8	6.0
1.0	3.0
1.2	2.0
1.5	1.5
2.0	0.866

Output Voltage Adjustment  
see the Digital Feature Descriptions section

CHECKED	E.ROCCO	DATE	SIGN	DRAWING TITLE  <b>JFEX</b> GE POWERSUPPLY		
CHECKED	U.SCHAEFER					
CHECKED	S.RAVE					
DRAWN	BAUSS					
BLOCK TITLE						
UNIVERSITY OF MAINZ				SIZE <b>C</b>	REV.	DRAWING NO.
				SCALE		SHEET OF