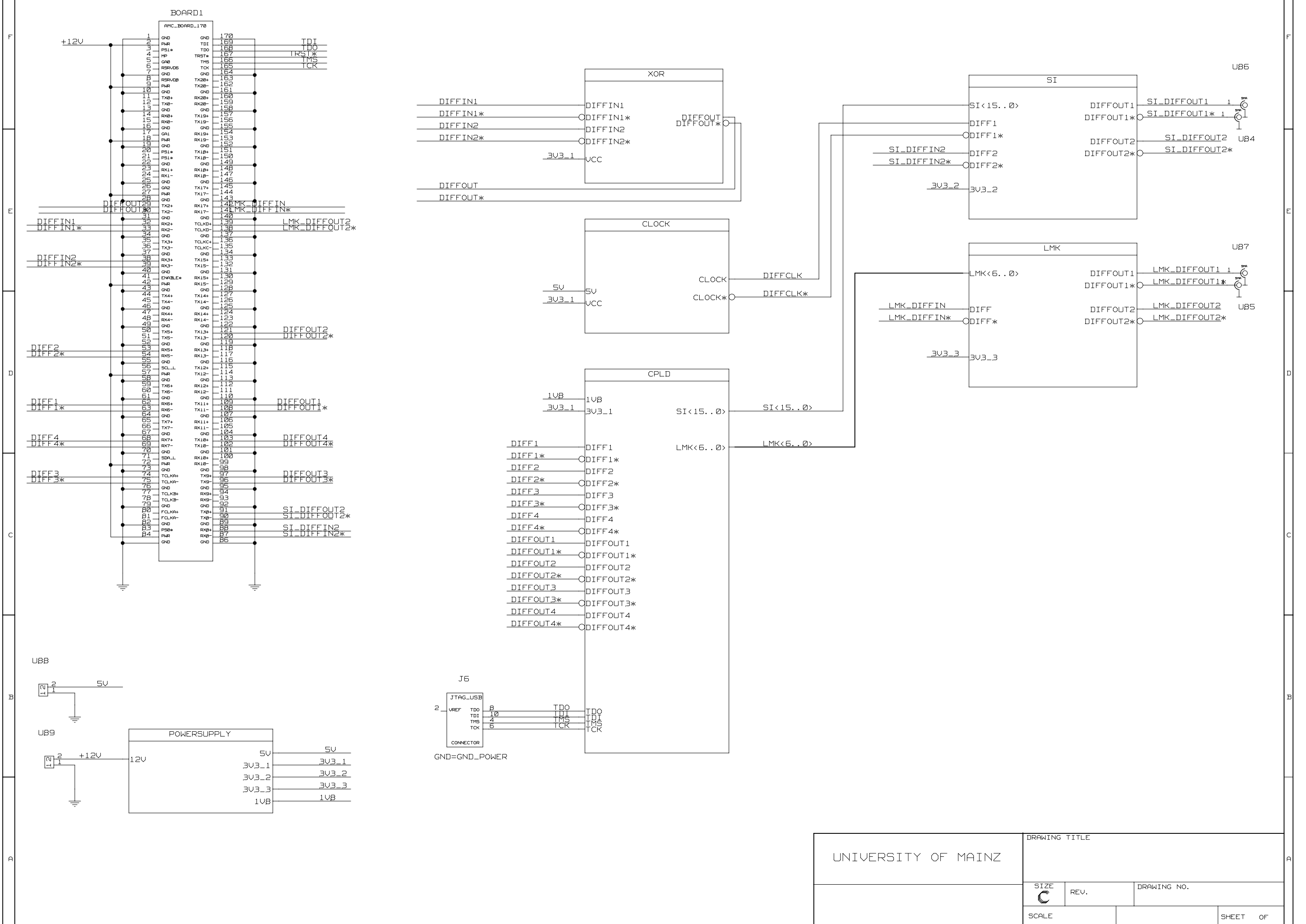
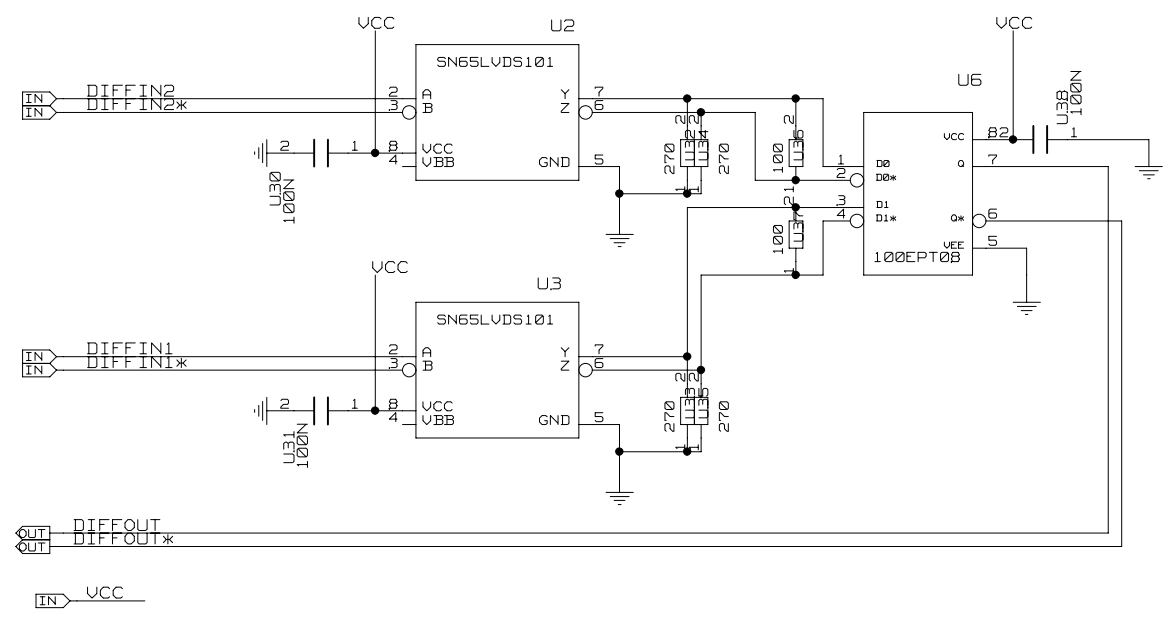


REVISIONS				
ZONE	LTR	DESCRIPTION	DATE	APPR.



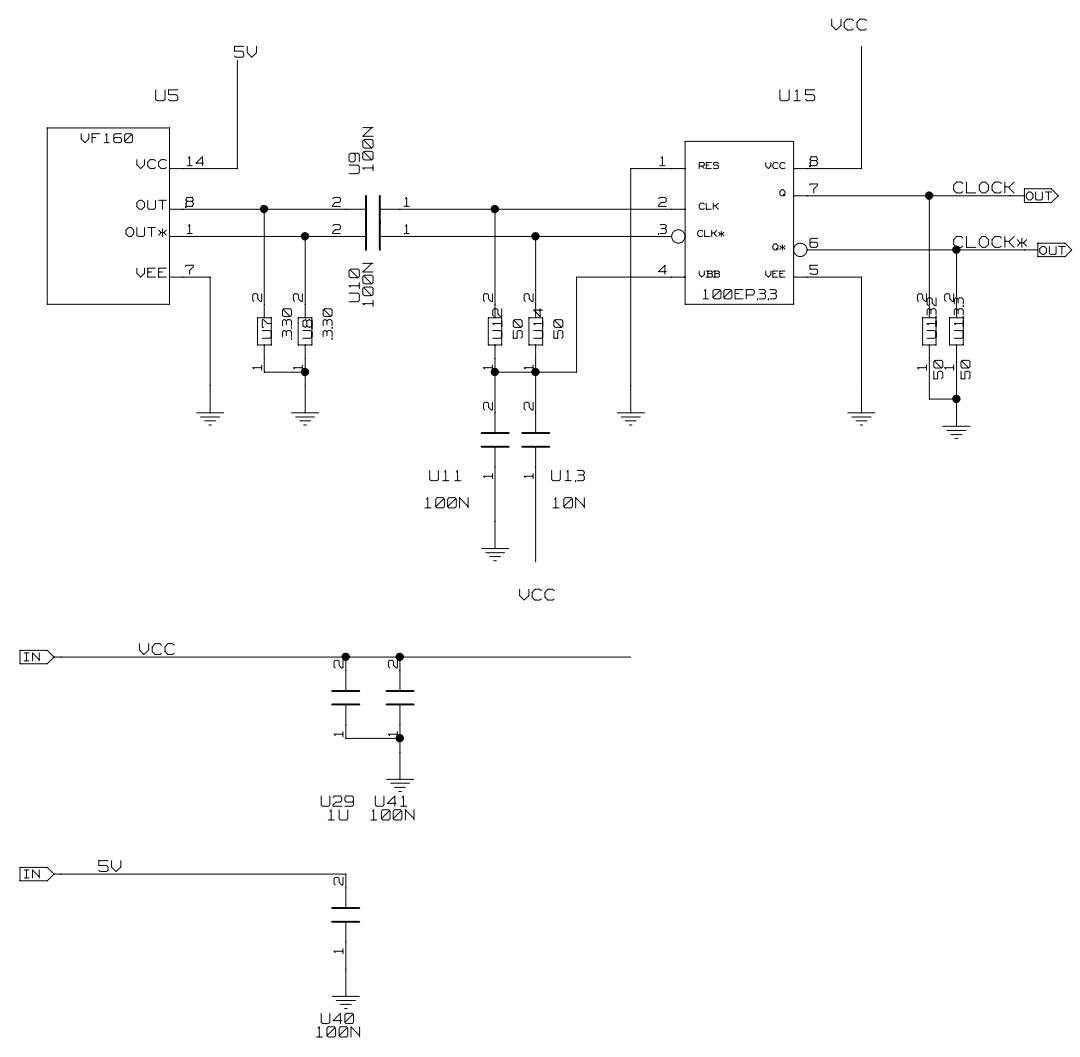
UNIVERSITY OF MAINZ		DRAWING TITLE	
SIZE C	REV.	DRAWING NO.	
SCALE			SHEET OF

REVISIONS				
ZONE	LTR	DESCRIPTION	DATE	APPR.



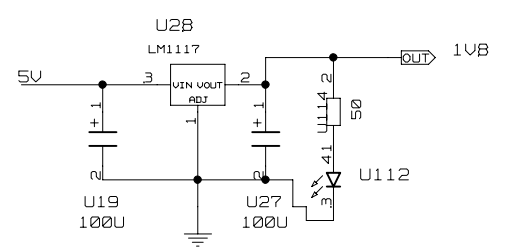
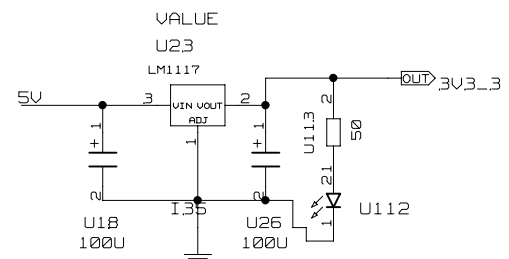
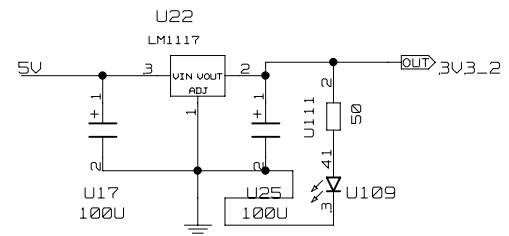
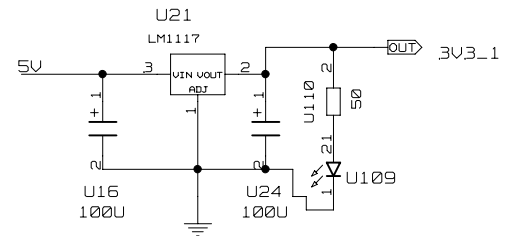
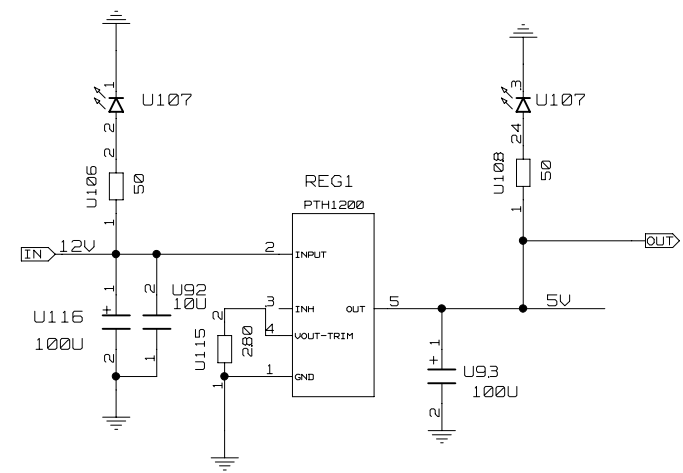
UNIVERSITY OF MAINZ	DRAWING TITLE		XOR	
	SIZE	REV.	DRAWING NO.	
	C			
SCALE			SHEET	OF

REVISIONS				
ZONE	LTR	DESCRIPTION	DATE	APPR.



UNIVERSITY OF MAINZ	DRAWING TITLE CLOCK		
	SIZE C	REV.	DRAWING NO.
	SCALE		SHEET OF

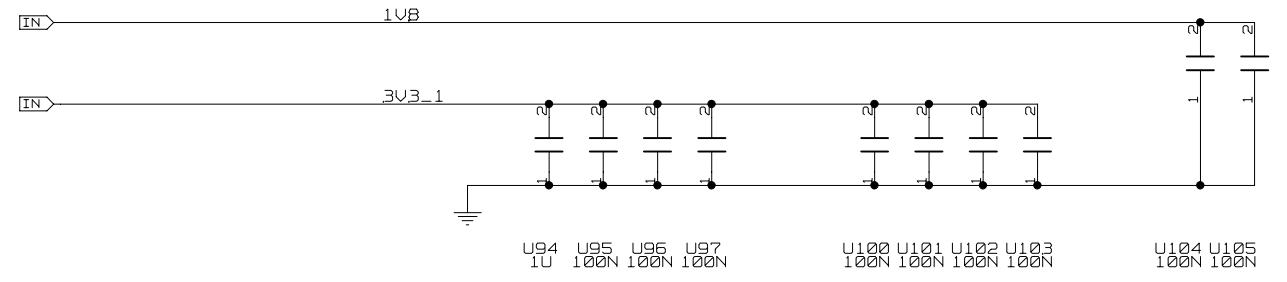
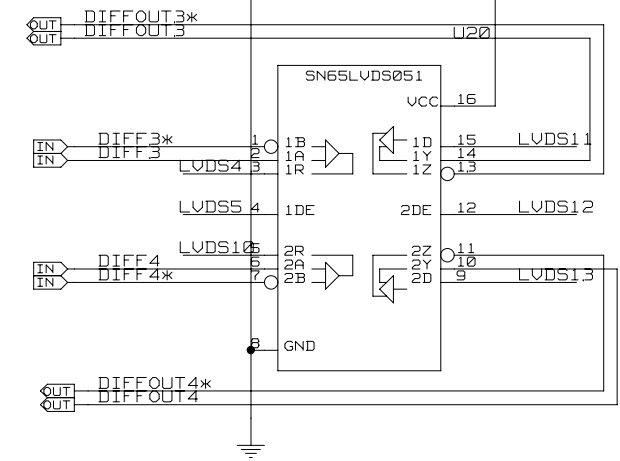
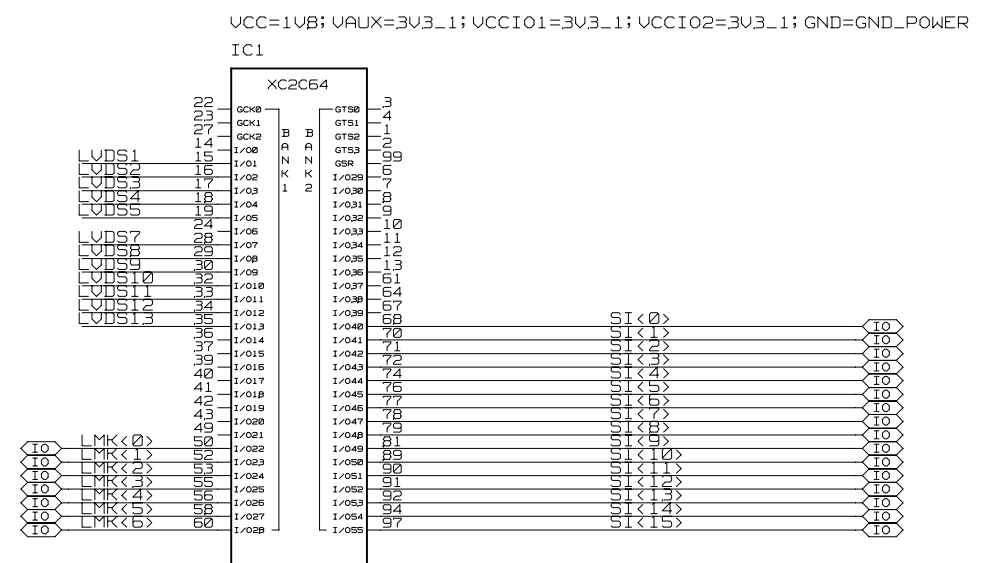
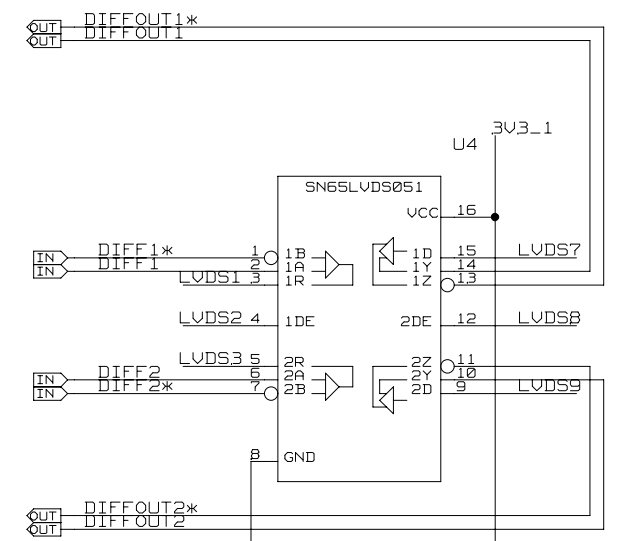
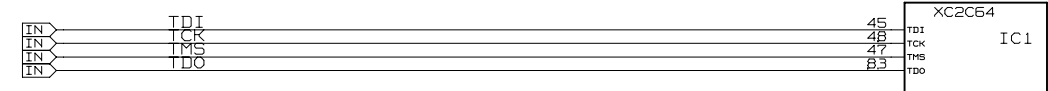
REVISIONS				
ZONE	LTR	DESCRIPTION	DATE	APPR.



UNIVERSITY OF MAINZ		DRAWING TITLE POWERSUPPLY		
SIZE C	REV.	DRAWING NO.		
SCALE			SHEET OF	

REVISIONS				
ZONE	LTR	DESCRIPTION	DATE	APPR.

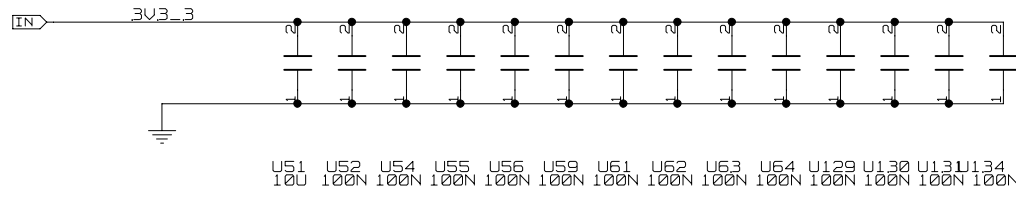
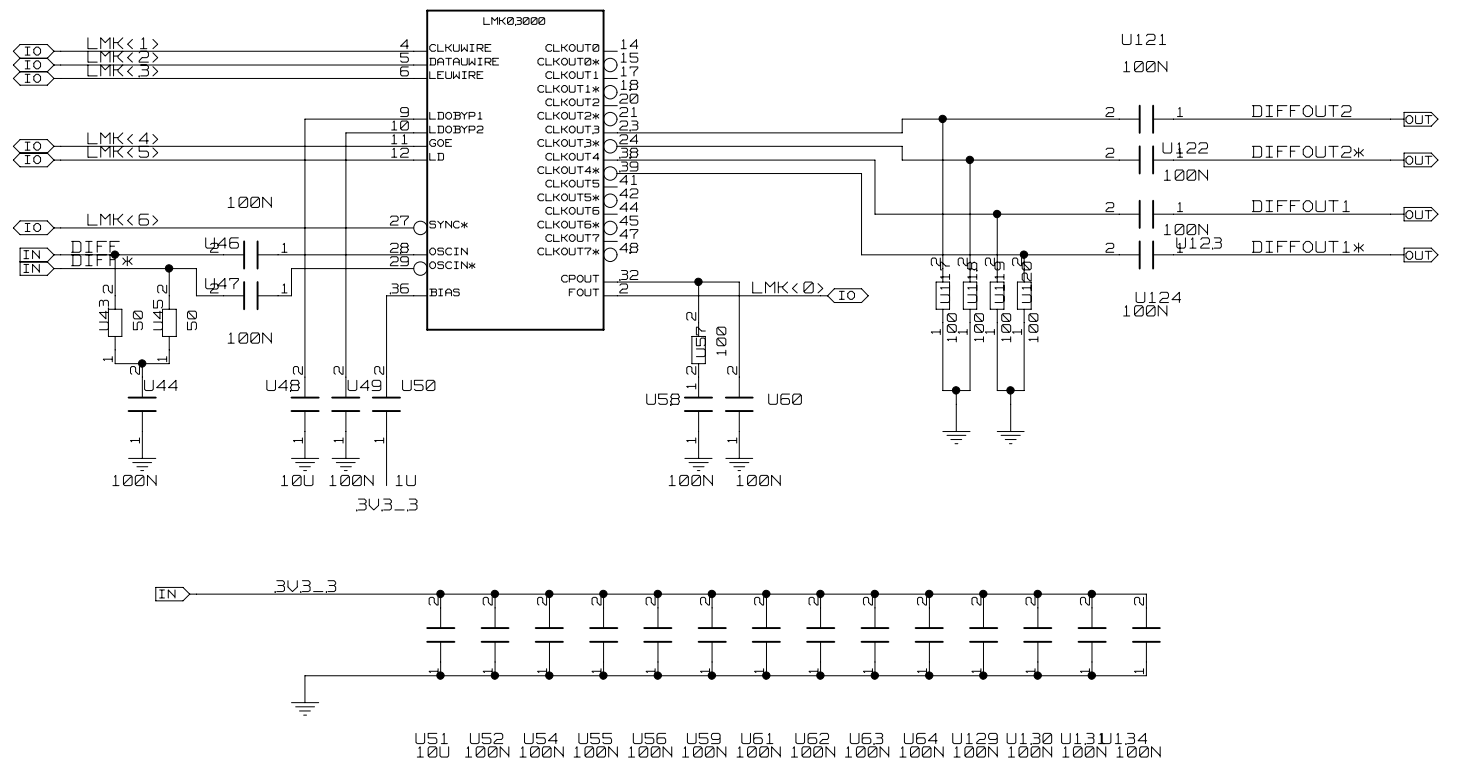
UCC=1V8; VALX=3V3_1; UCCIO1=3V3_1; UCCIO2=3V3_1; GND=GND_POWER



UNIVERSITY OF MAINZ		DRAWING TITLE CPLD	
SIZE C	REV.	DRAWING NO.	
SCALE		SHEET OF	

REVISIONS				
ZONE	LTR	DESCRIPTION	DATE	APPR.

VCC=3V3_3; GND=GND_POWER
U53



UNIVERSITY OF MAINZ		DRAWING TITLE LMK03000	
SIZE C	REV.	DRAWING NO.	
SCALE		SHEET OF	

