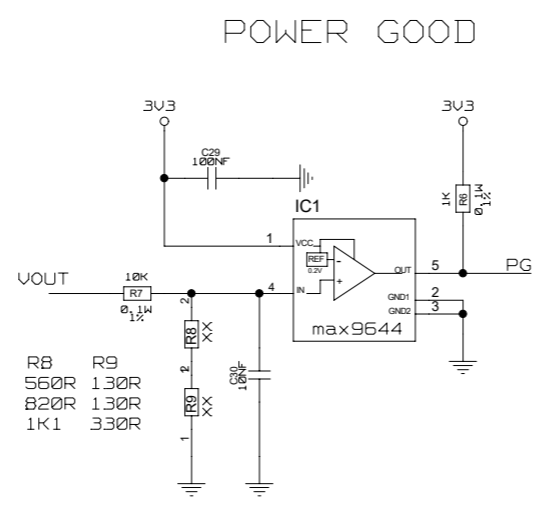
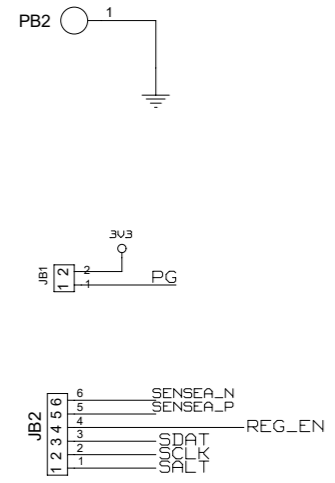
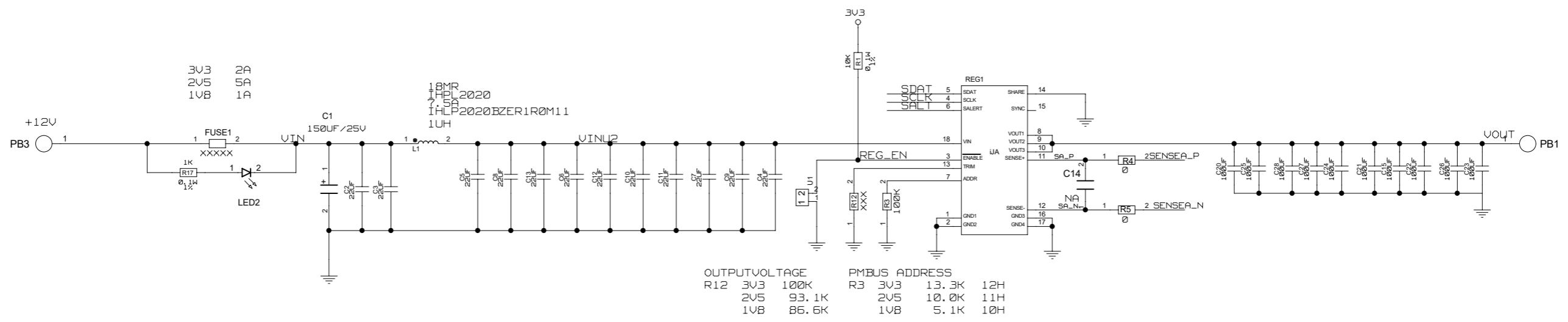
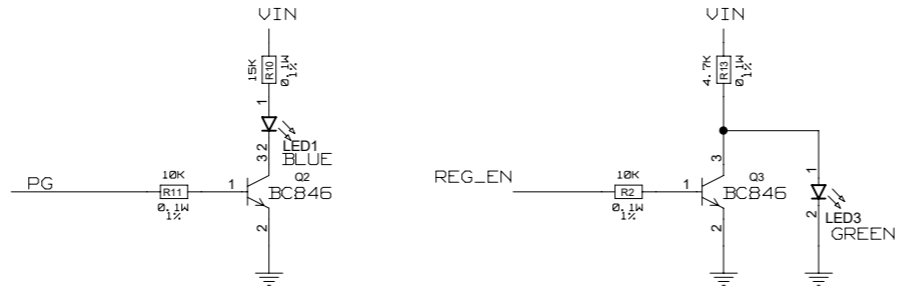


| REVISIONS | | | | |
|-----------|-----|-------------|------|-------|
| ZONE | LTR | DESCRIPTION | DATE | APPR. |
| | | | | |



| TDK PMBus Addresses | | |
|---------------------|------------|------------|
| RADDR (KOHM) | PMBus ADDR | RAIL |
| 0-6.81 | 10h | 1V8 |
| 10 | 11h | 2V5 |
| 13.3 | 12h | 3V3 |
| 17.8 | 13h | |
| 21.5 | 14h | U1_VCCINT |
| 26.1 | 15h | U1_MGTAVCC |
| 31.6 | 16h | U1_MGTAVTT |
| 34.8 | 17h | |
| 38.3 | 18h | U2_VCCINT |
| 42.2 | 19h | U2_MGTAVCC |
| 46.4 | 1Ah | U2_MGTAVTT |
| 51.1 | 1Bh | |
| 56.2 | 1Ch | U3_VCCINT |
| 61.9 | 1Dh | U3_MGTAVCC |
| 68.1 | 1Eh | U3_MGTAVTT |
| 75 | 1Fh | |
| 82.5 | 20h | U4_VCCINT |
| 90.9 | 21h | U4_MGTAVCC |
| 100 | 22h | U4_MGTAVTT |
| 110 | 23h | |
| 121 | 24h | |
| 133 | 25h | |
| 147 | 26h | |
| 158 | 27h | |



CADENCE DESIGN SYSTEMS, INC.

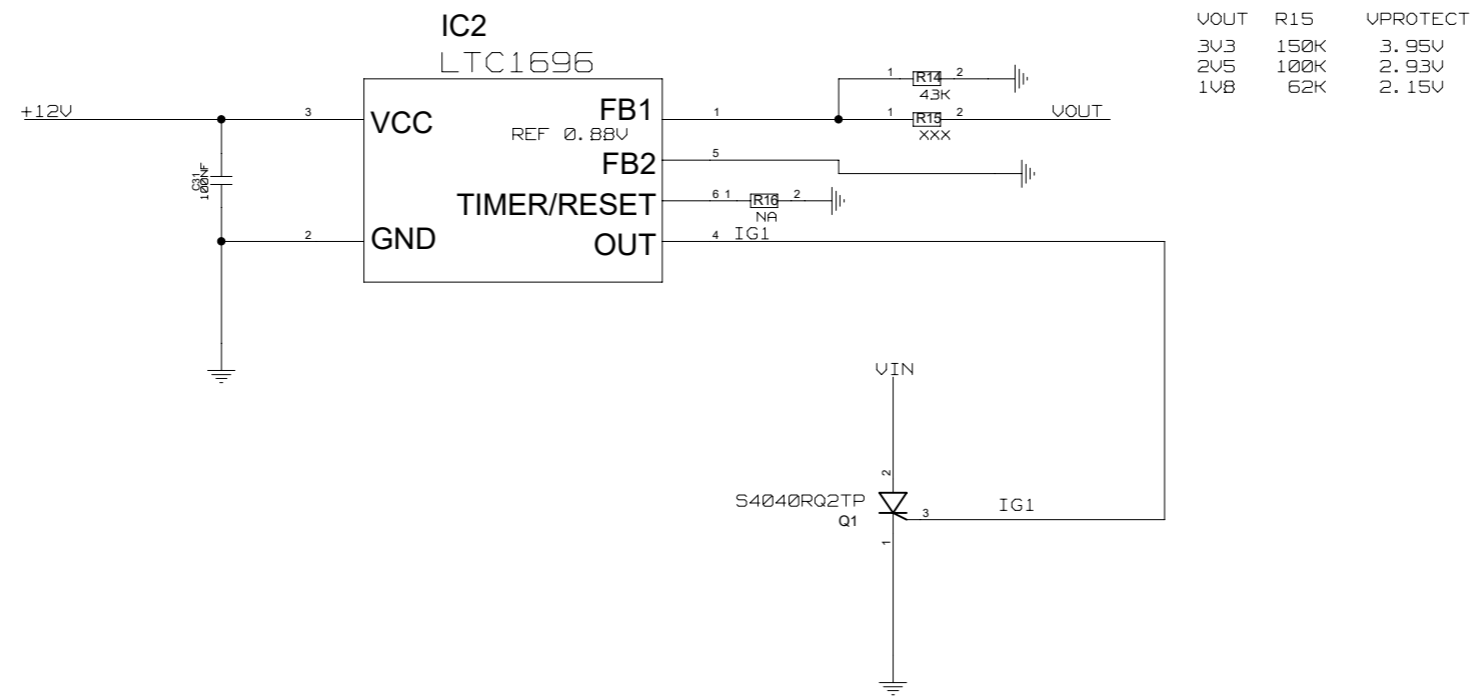
THIS DOCUMENT CONTAINS INFORMATION PROPRIETARY TO CADENCE DESIGN SYSTEMS INC (CADENCE). USE OR DISCLOSURE WITHOUT THE WRITTEN PERMISSION OF AN OFFICER OF CADENCE IS EXPRESSLY FORBIDDEN. COPYRIGHT (C) CADENCE 1988

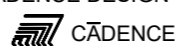
DRAWING TITLE
 TDK 35A

| | | |
|------------------|--------------|-------------|
| SIZE C | REV. | DRAWING NO. |
| SCALE | SHEET 1 OF 2 | |

| REVISIONS | | | | |
|-----------|-----|-------------|------|-------|
| ZONE | LTR | DESCRIPTION | DATE | APPR. |
| | | | | |

OVERVOLTAGE PROTECTION



| | | | |
|---|--|----------------------------------|------|
| CADENCE DESIGN SYSTEMS, INC.  CADENCE | | DRAWING TITLE TDK .35A | |
| <small>THIS DOCUMENT CONTAINS INFORMATION PROPRIETARY TO CADENCE DESIGN SYSTEMS INC (CADENCE). USE OR DISCLOSURE WITHOUT THE WRITTEN PERMISSION OF AN OFFICER OF CADENCE IS EXPRESSLY FORBIDDEN. COPYRIGHT (C) CADENCE 1988</small> | | SIZE C | REV. |
| SCALE | | DRAWING NO. | |
| SHEET 2 OF 2 | | SHEET 2 OF 2 | |