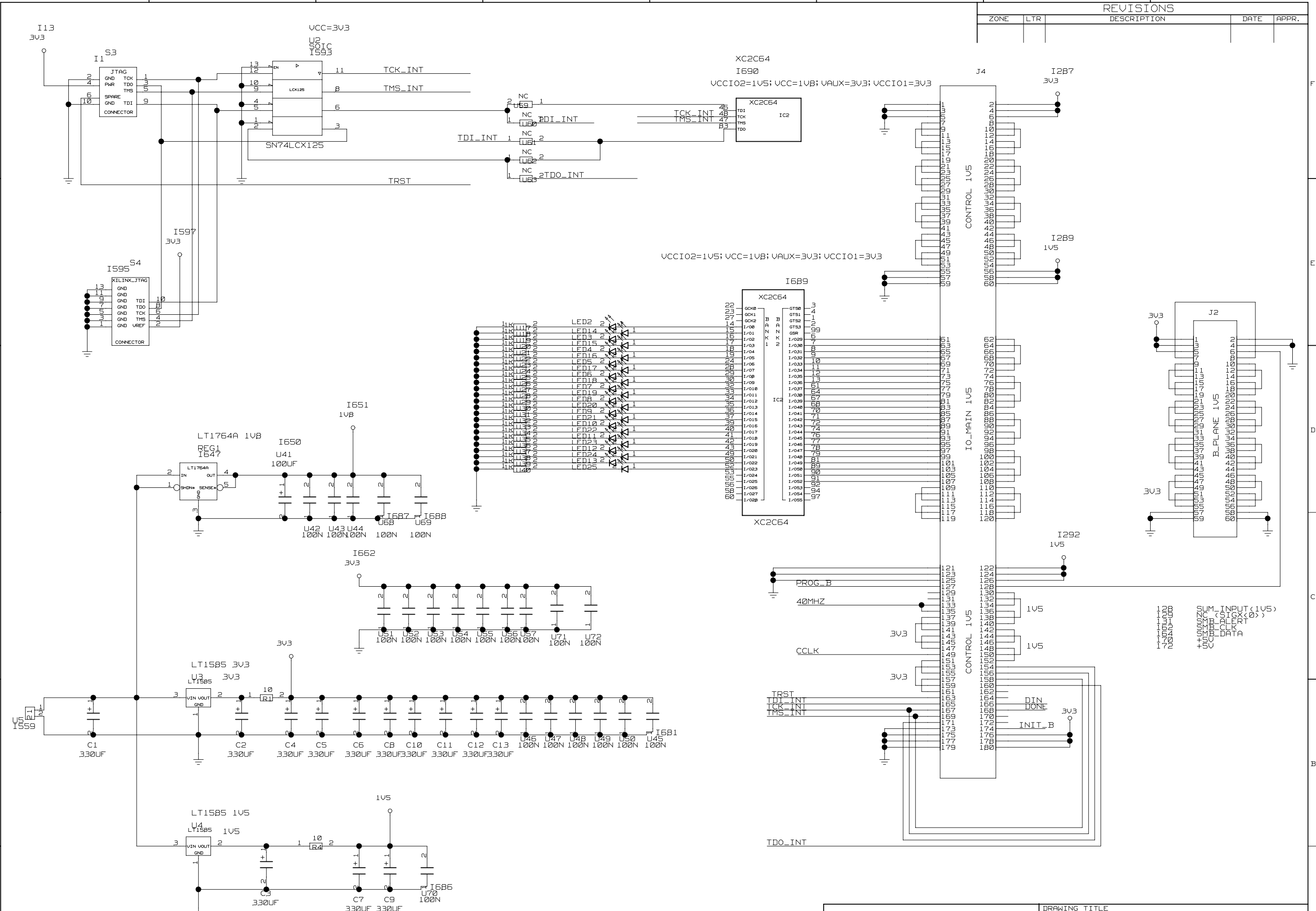
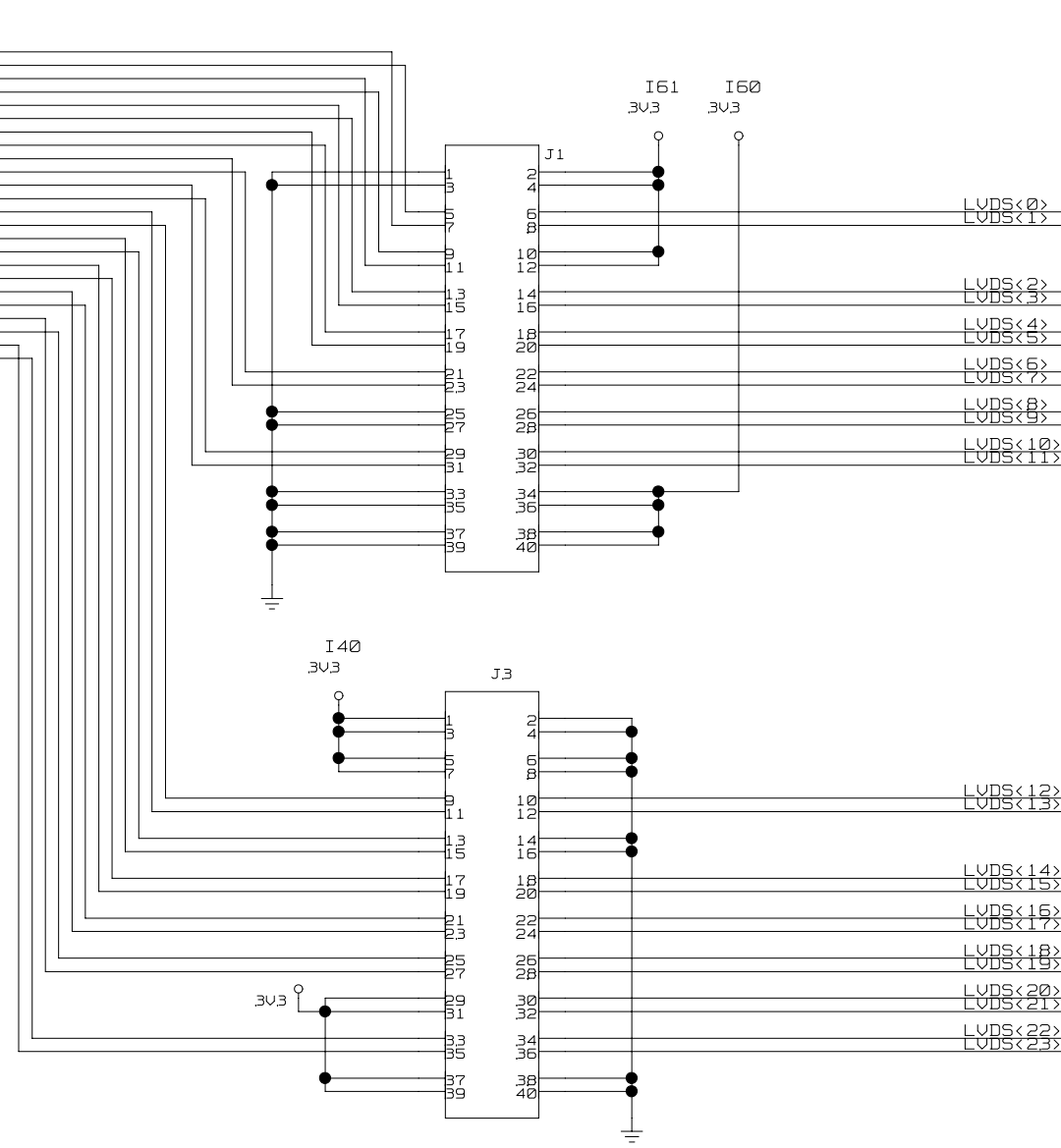
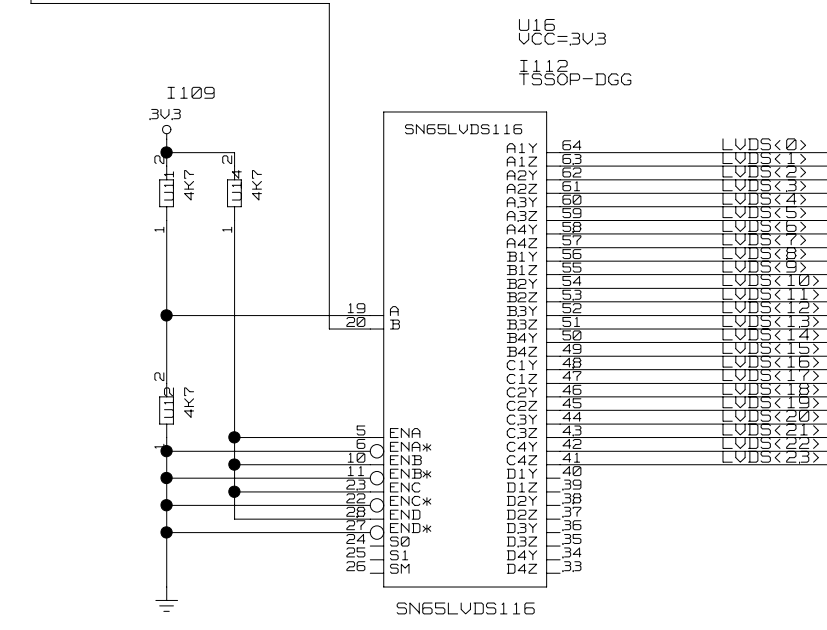
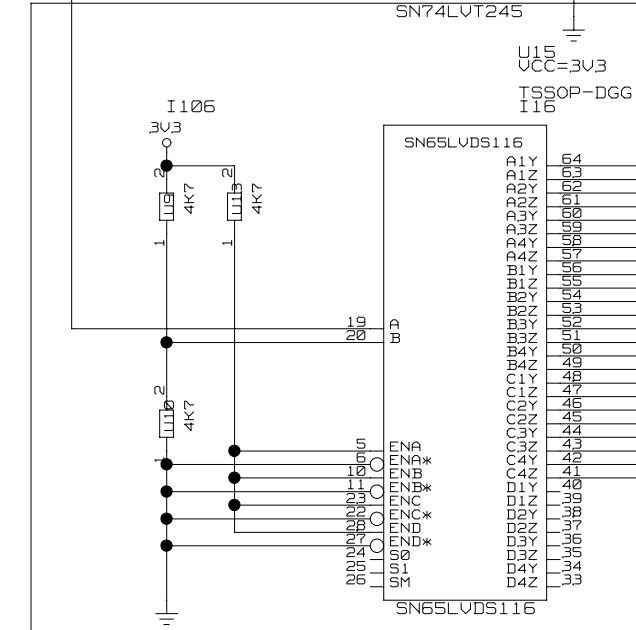
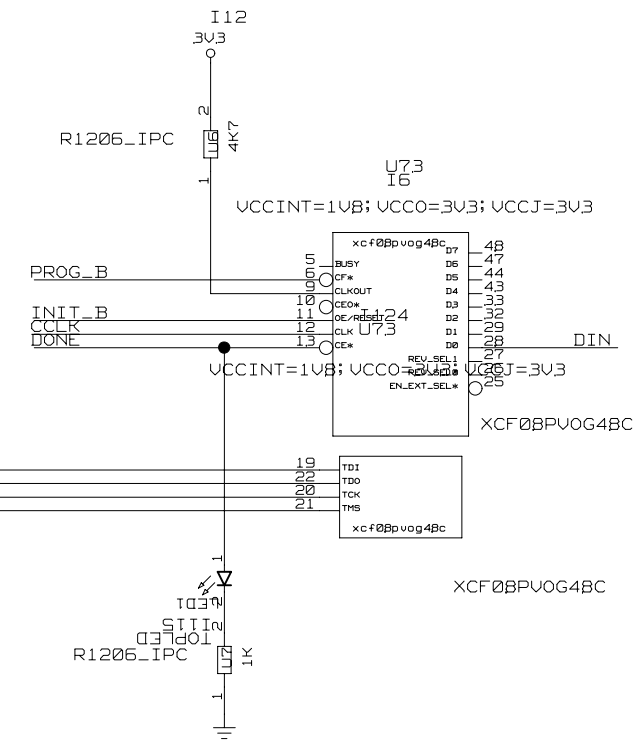
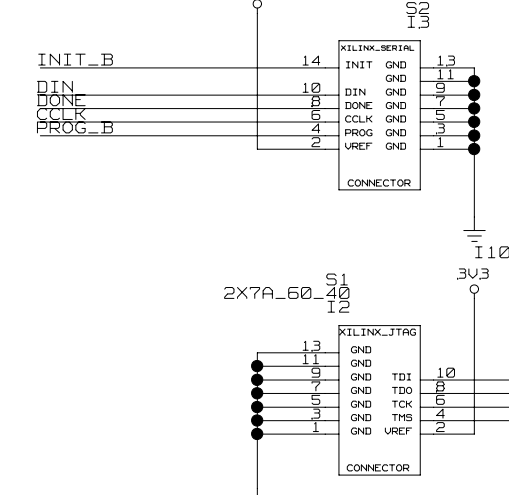
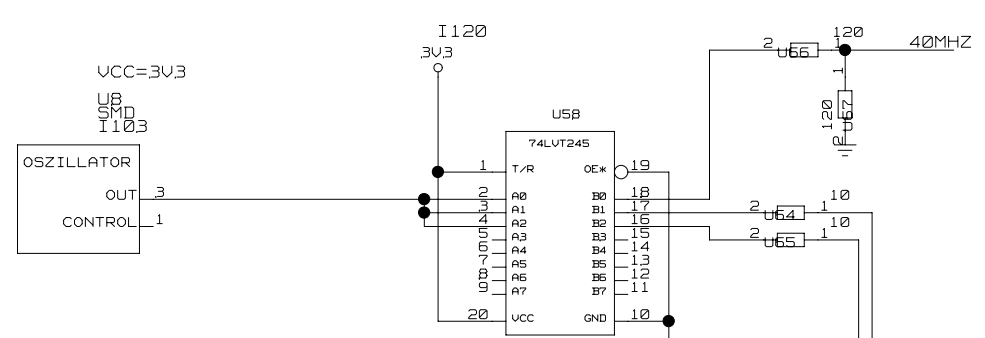


REVISIONS				
ZONE	LTR	DESCRIPTION	DATE	APPR.



UNIVERSITY OF MAINZ		DRAWING TITLE	
		TESTBOARD	
SIZE	REV.	DRAWING NO.	
C			
SCALE		SHEET 1 OF 2	

REVISIONS				
ZONE	LTR	DESCRIPTION	DATE	APPR.



UNIVERSITY OF MAINZ		DRAWING TITLE	
		TESTBOARD	
SIZE	REV.	DRAWING NO.	
C			
SCALE		SHEET 2 OF 2	