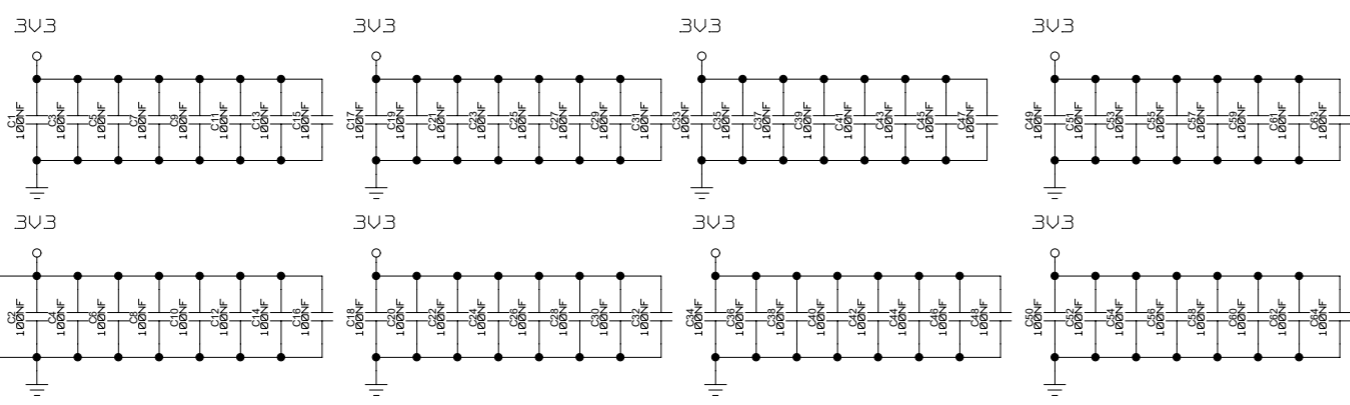
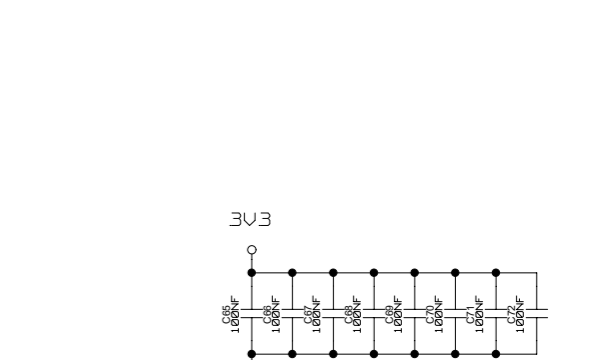
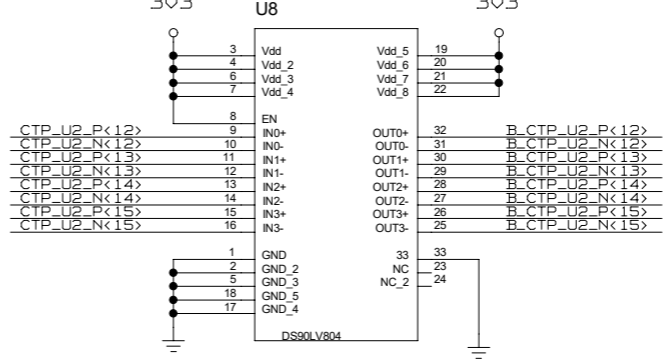
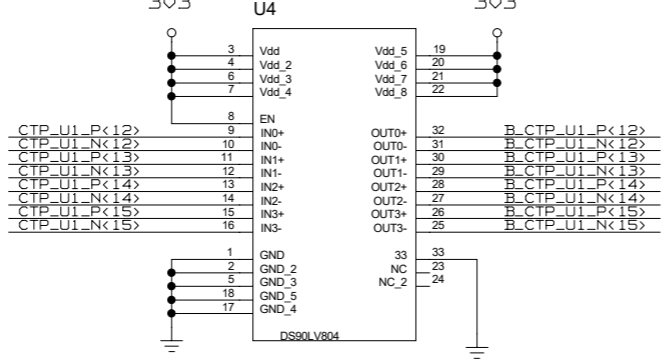
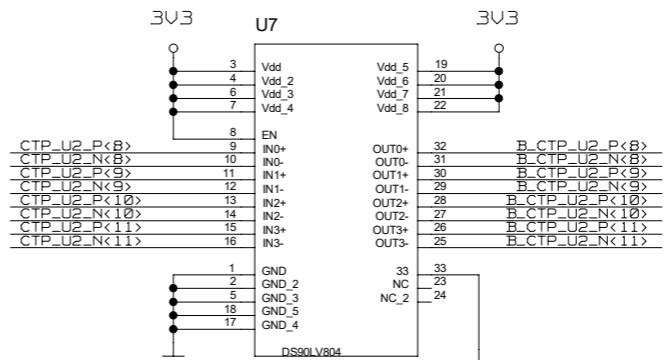
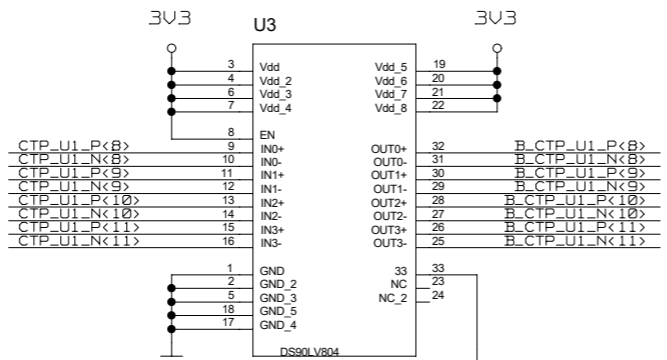
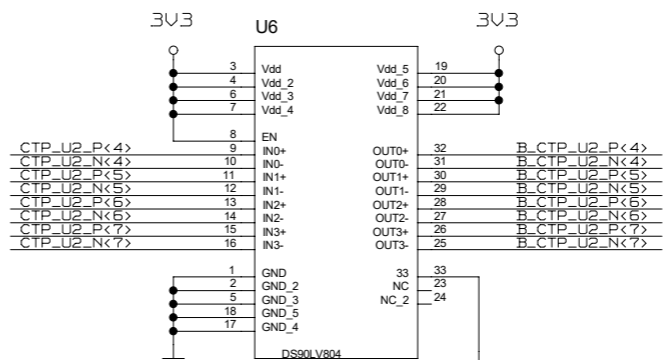
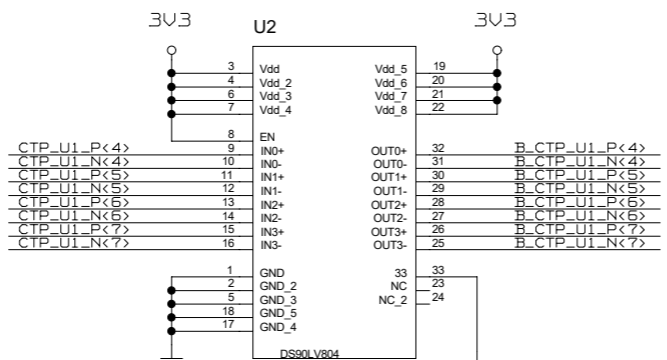
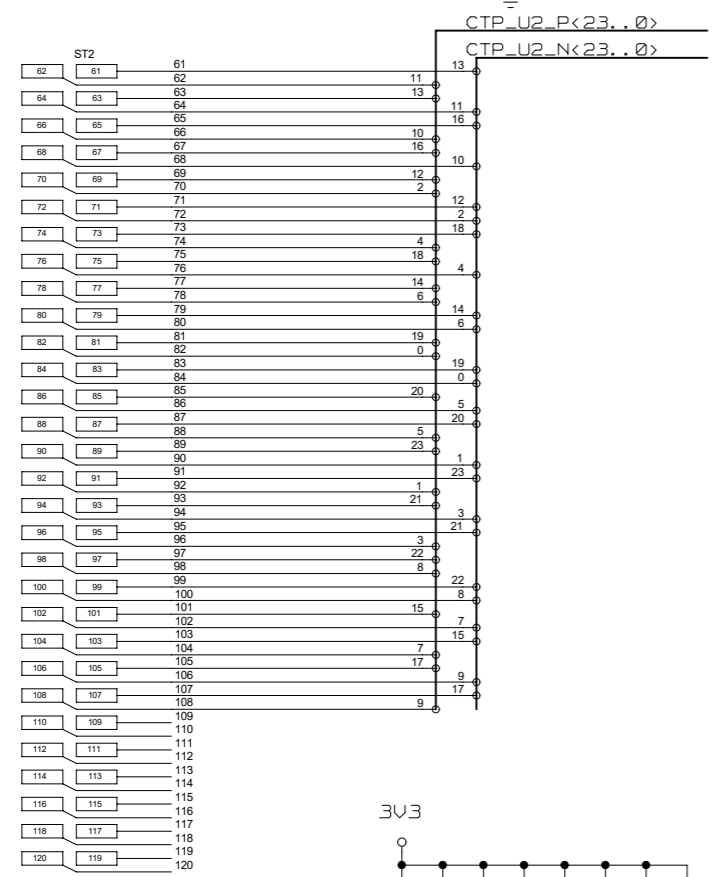
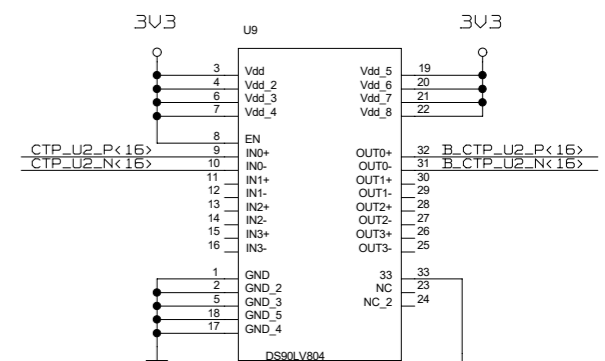
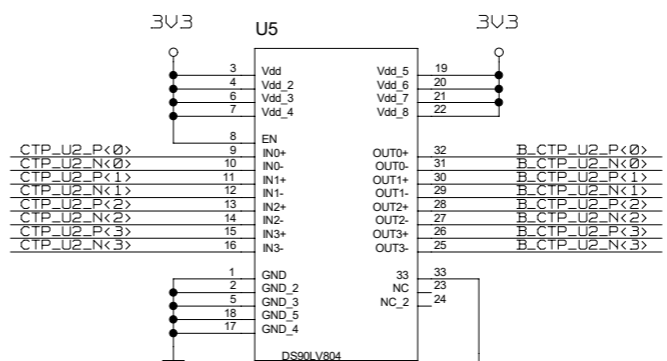
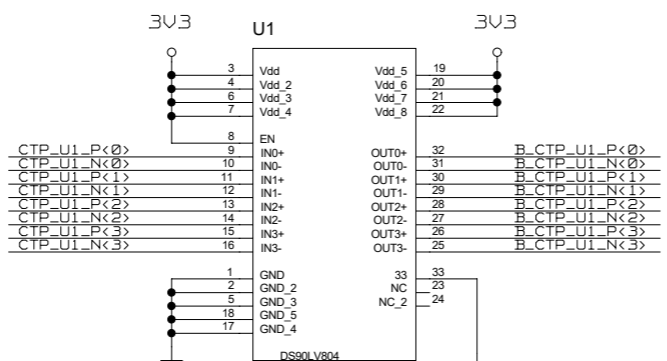
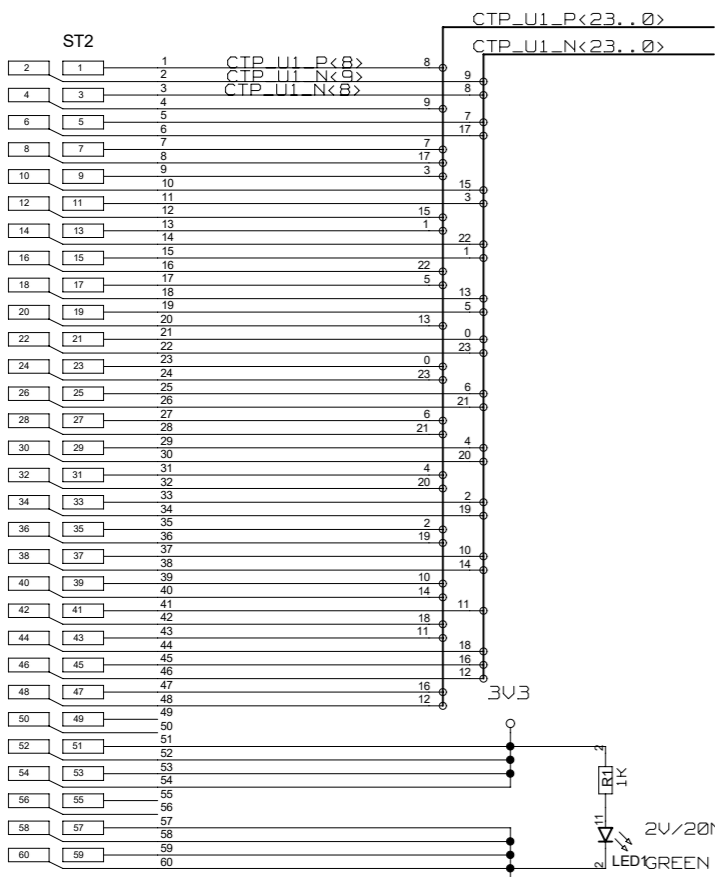


REVISIONS				
ZONE	LTR	DESCRIPTION	DATE	APPR.



# CONNECTOR CTP MEZZ

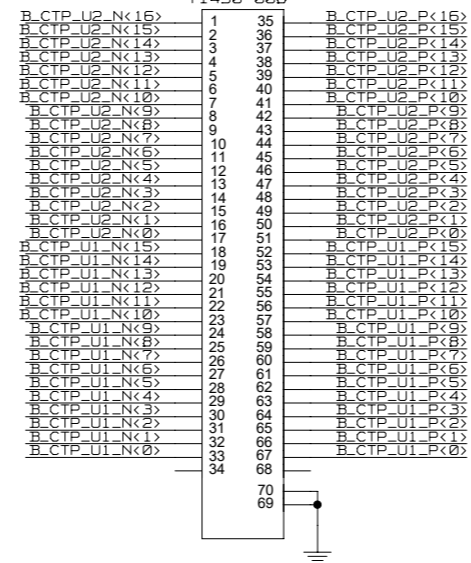
CHECKED	J. V. DE SOUZA	DATE	SIGN	DRAWING TITLE		
CHECKED	U. SCHAEFER					
CHECKED				BLOCK TITLE		
DRAWN	BAUSS					
UNIVERSITY OF MAINZ				SIZE	REV.	DRAWING NO.
SCALE						
				SHEET OF		

REVISIONS

ZONE	LTR	DESCRIPTION	DATE	APPR.

SCS11

71430-02B



CHECKED	NAME	DATE	SIGN	DRAWING TITLE		
CHECKED	J. V. DE SOUZA					
CHECKED	U. SCHAEFER					
CHECKED						
DRAWN	BAUSS			BLOCK TITLE		
UNIVERSITY OF MAINZ				SIZE <b>C</b>	REV.	DRAWING NO.
				SCALE		SHEET OF