

REVISIONS				
ZONE	LTR	DESCRIPTION	DATE	APPR.

INDEX

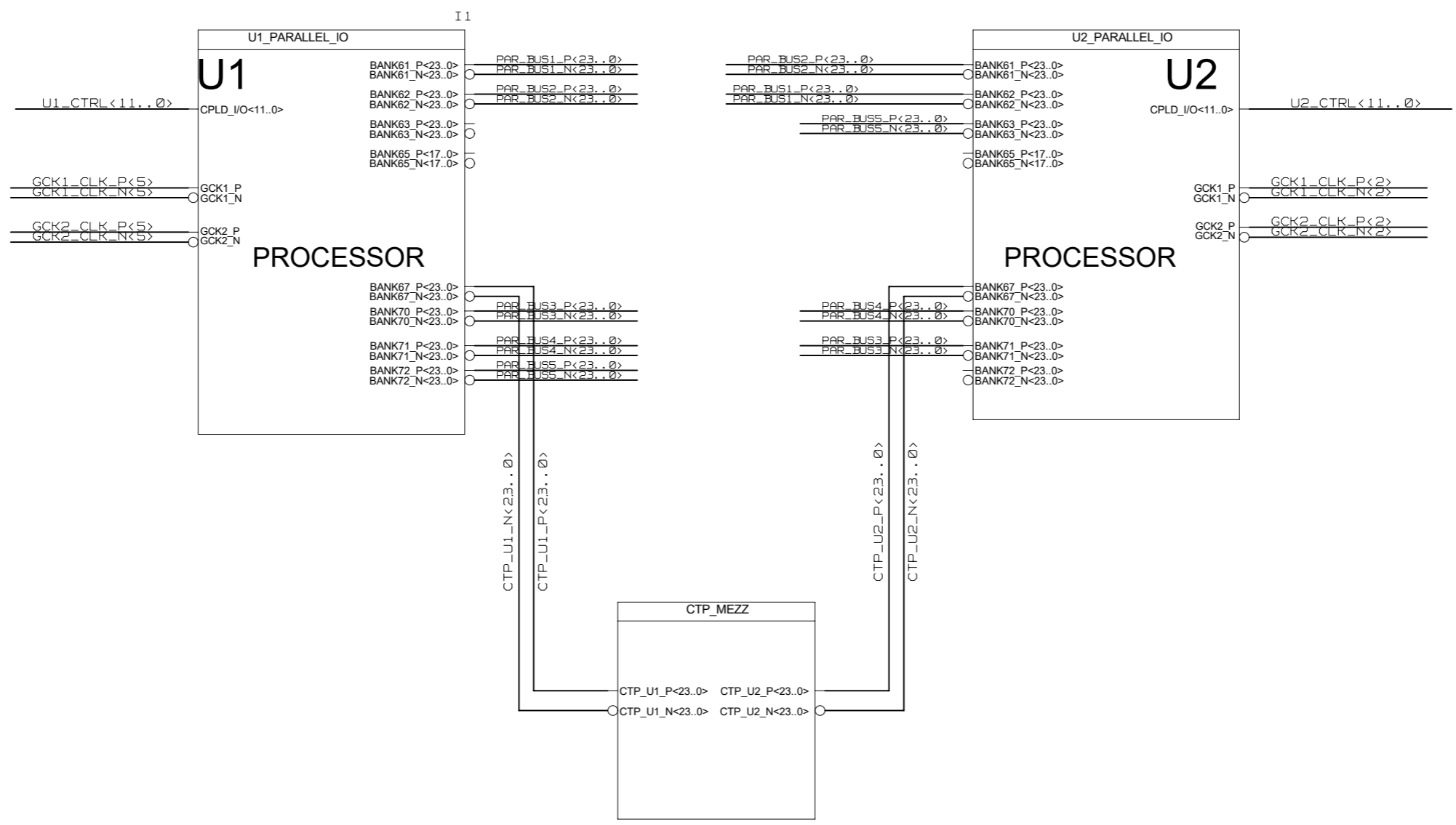
PAGE(S)	FUNCTION
2	PARALLEL I/O BLOCK
3	MGT REAL TIME PATH BLOCK
4	IPBUS, JTAG, POWER, CLOCK, CONGIG, IPMC BLOCK
5	MEZZANINE CONNECTOR
6 - 10	U1 PARALLEL I/O
11	CLOCK LVDS LVCMOS MODUL
12 - 16	U2 PARALLEL I/O
17 - 22	U1 MGT REALTIME HIGH SPEED OPTICAL LINKS
23	AVAGO RECEIVER
24	AVAGO TRANSMITTER
25	ATCA POWER IN AND POWER CONTROL
26	POWERSUPPLY PMBUS CONNECTION
27	POWERSEQUENCING CPLD, VOLTAGE MONITOR, SUPERSOR
28	POWERSUPPLY BOARDLEVEL
29	POWERSUPPLY U1
30	POWERSUPPLY U2
31	POWER DECOUPLING MODUL
32	POWERSUPPLY MIC68400 MODUL
33	CLOCK OSC 1KHZ
34 - 39	U2 MGT REALTIME HIGH SPEED OPTICAL LINKS
40	MGT1 CLOCK
41	MGT2 CLOCK
42	MGT3 CLOCK
43	MGT4 CLOCK
44	GLOBAL CLOCK1
45	GLOBAL CLOCK2
46	LNC CLK
47	CLOCK CML FANOUT6 AC
48	CLOCK LVDS FANOUT 8
49	CLOCK LVPECL AC (SI591)
50 - 52	IPMC
53	CONTROL AND CONFIG CPLD
54 - 55	U1 CONFIG, U2 CONFIG
56	IPBUS CONNECTION
57	CTP MEZZANINE CONNECTOR
58	JTAG CHAIN

CHECKED	NAME	DATE	SIGN	DRAWING TITLE <h1>L1TOPO</h1>		
CHECKED	J. V. DE SOUZA					
CHECKED	U. SCHAEFER					
CHECKED	S. RAVE					
DRAWN	BAUSS					
BLOCK TITLE						
UNIVERSITY OF MAINZ				SIZE	REV.	DRAWING NO.
				C		
SCALE				SHEET	OF	

REVISIONS

ZONE	LTR	DESCRIPTION	DATE	APPR.

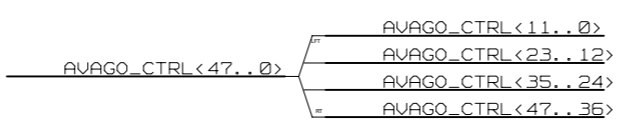
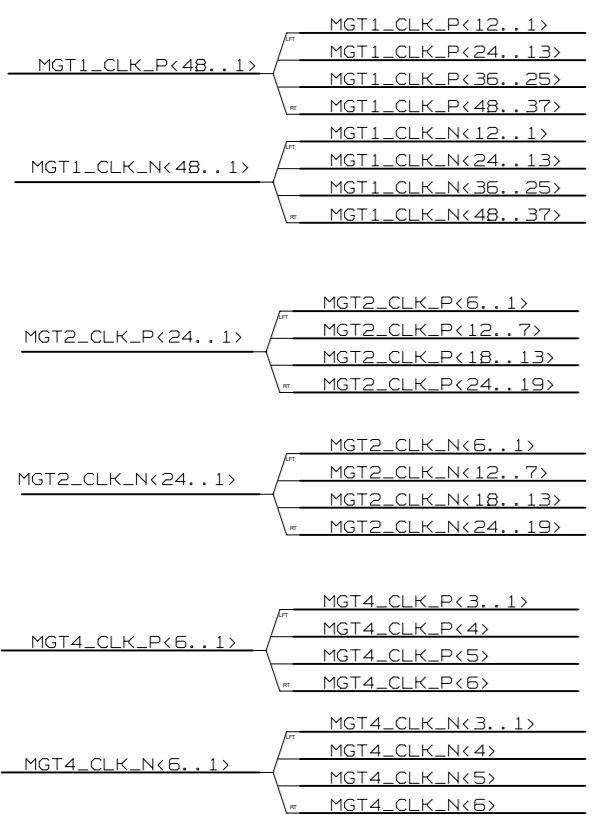
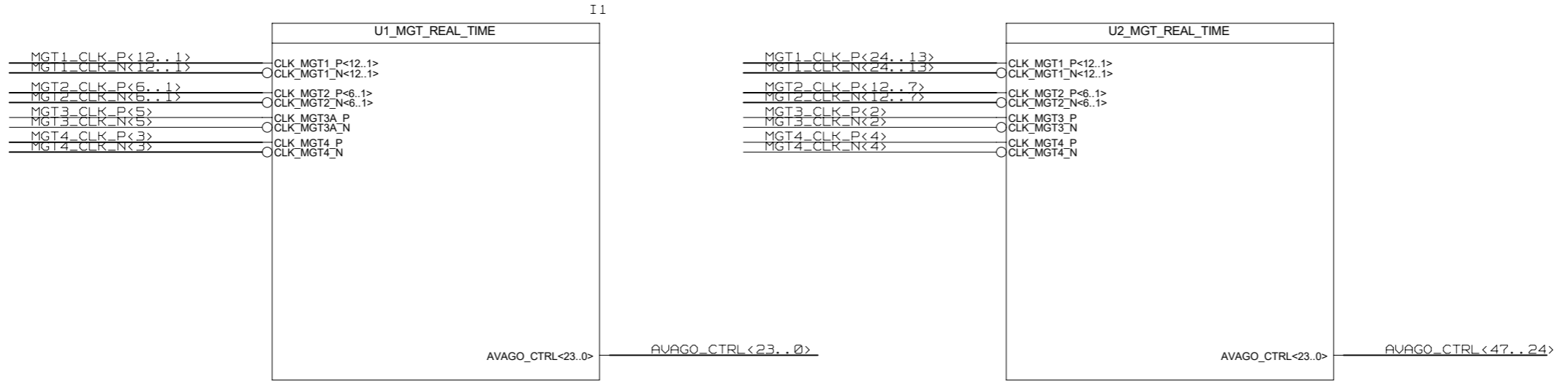
PARALLEL I/O



CHECKED	NAME	DATE	SIGN	DRAWING TITLE <h1>L1 TOPO</h1>		
CHECKED	J. V. DE SOUZA					
CHECKED	U. SCHAEFER					
CHECKED	S. RAVE					
DRAWN	BAUSS					
BLOCK TITLE						
UNIVERSITY OF MAINZ				SIZE C	REV.	DRAWING NO.
				SCALE		SHEET OF

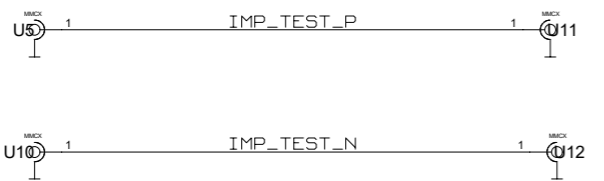
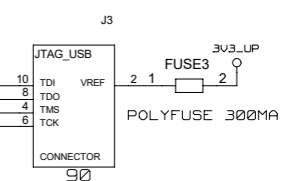
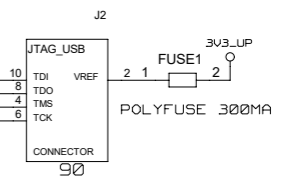
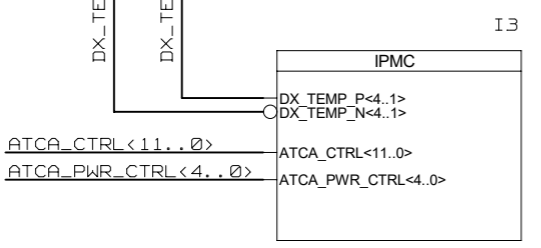
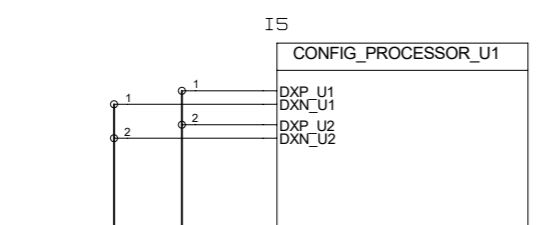
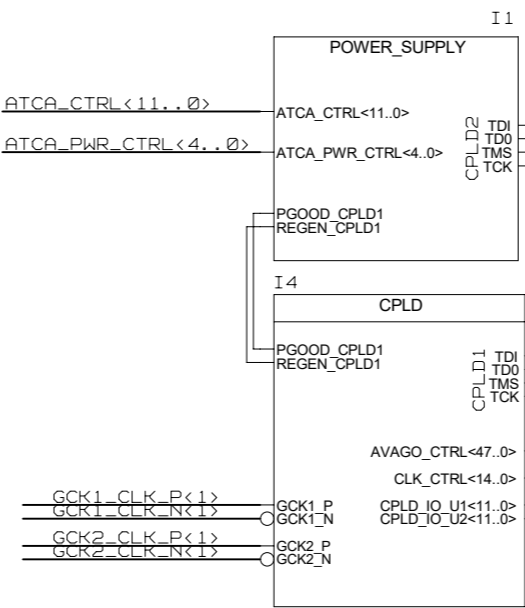
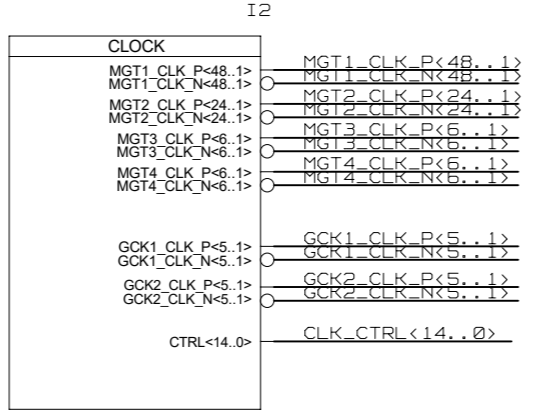
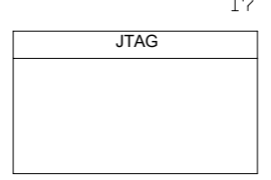
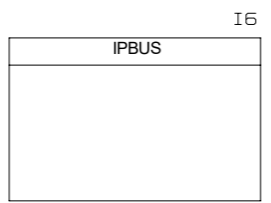
REVISIONS				
ZONE	LTR	DESCRIPTION	DATE	APPR.

MGT REAL TIME



CHECKED	NAME	DATE	SIGN	DRAWING TITLE		
	J. V. DE SOUZA				L1 TOPO	
	U. SCHAEFER					
	S. RAVE					
	BAUSS					
BLOCK TITLE				SIZE	REV.	DRAWING NO.
UNIVERSITY OF MAINZ				C		
				SCALE		SHEET OF

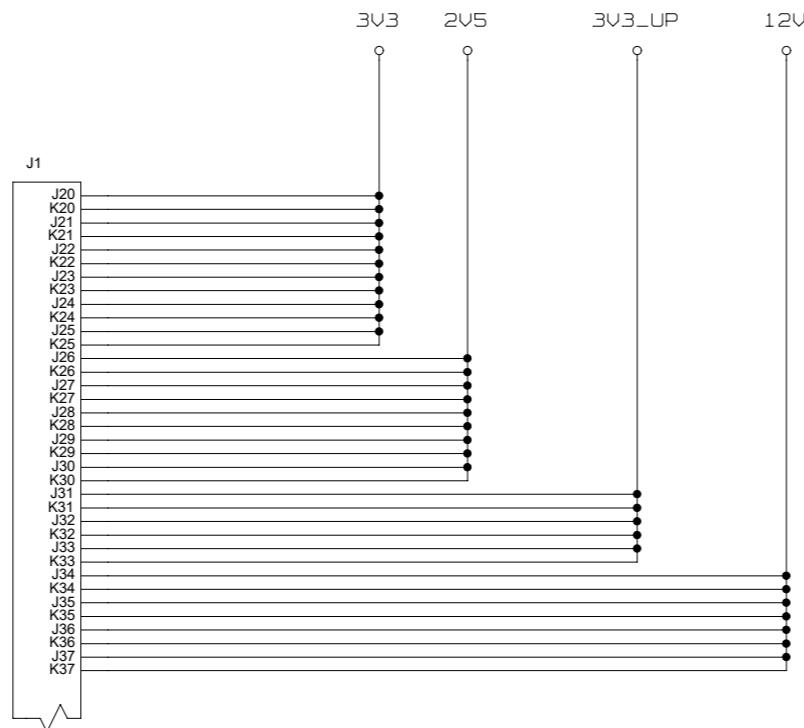
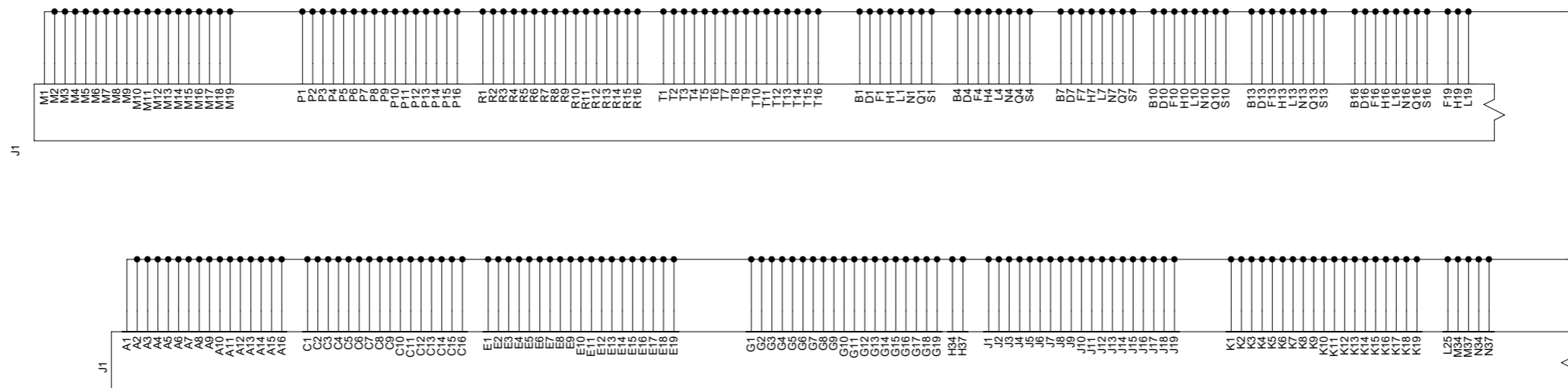
REVISIONS				
ZONE	LTR	DESCRIPTION	DATE	APPR.



	NAME	DATE	SIGN	DRAWING TITLE <h1>L1 TOPO</h1>		
CHECKED	J. V. DE SOUZA					
CHECKED	U. SCHAEFER					
CHECKED	S. RAVE					
DRAWN	BAUSS					
BLOCK TITLE						
UNIVERSITY OF MAINZ				SIZE C	REV.	DRAWING NO.
				SCALE		SHEET OF

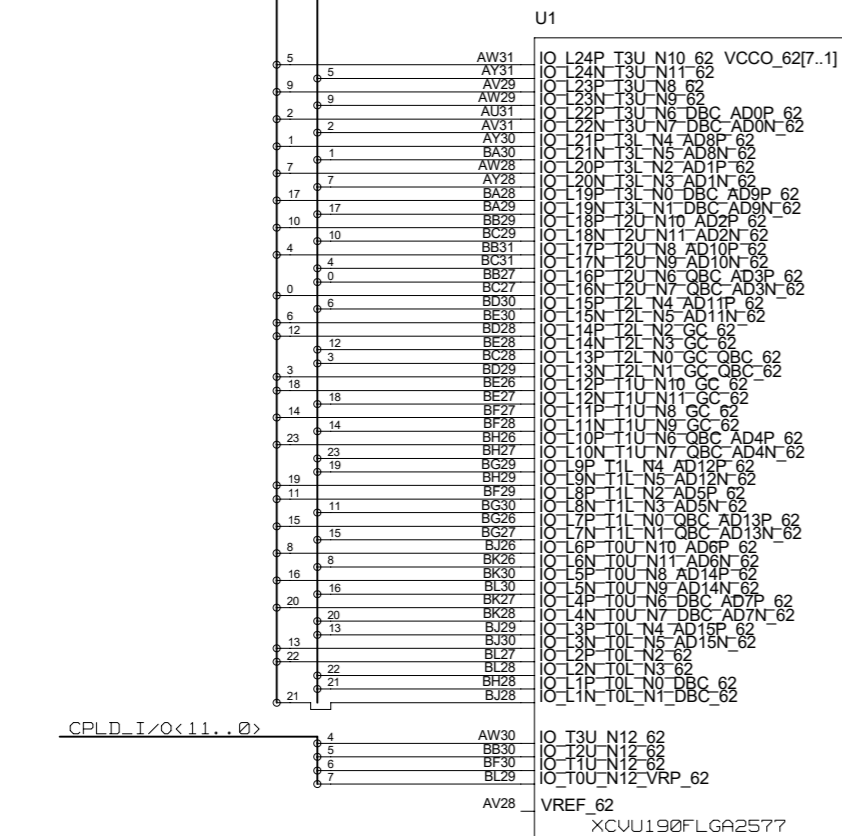
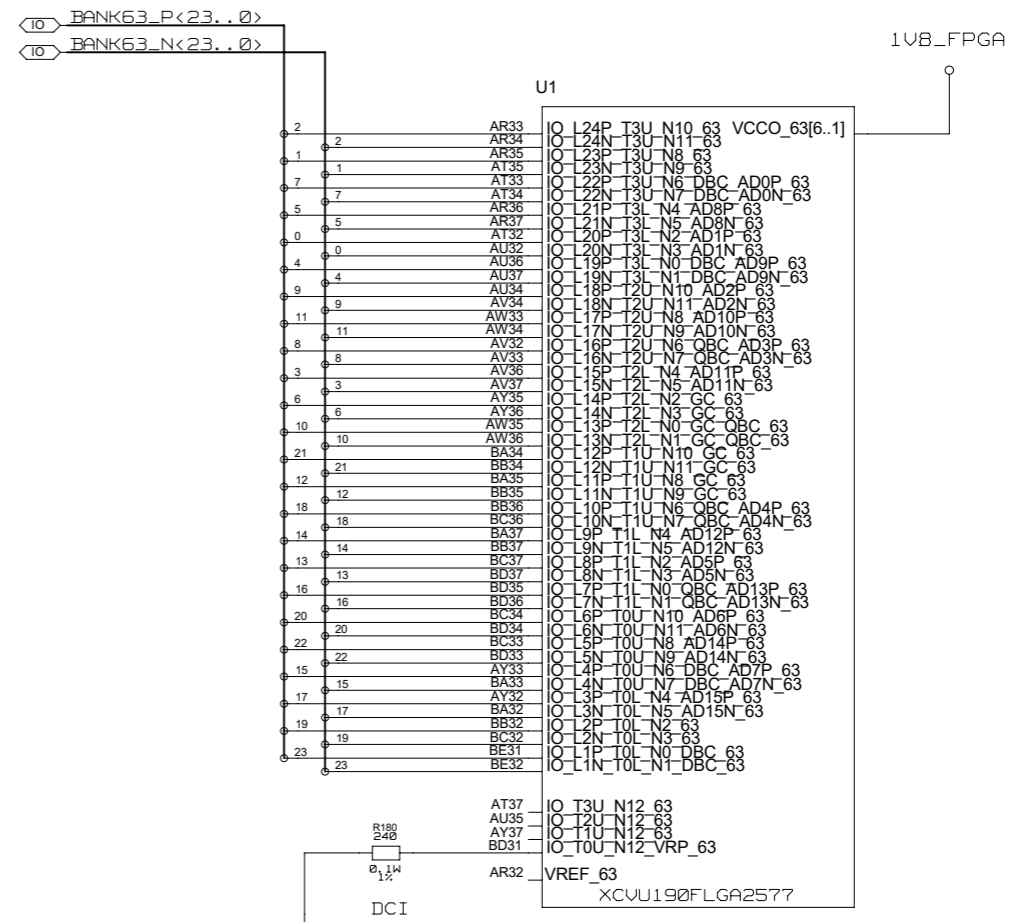
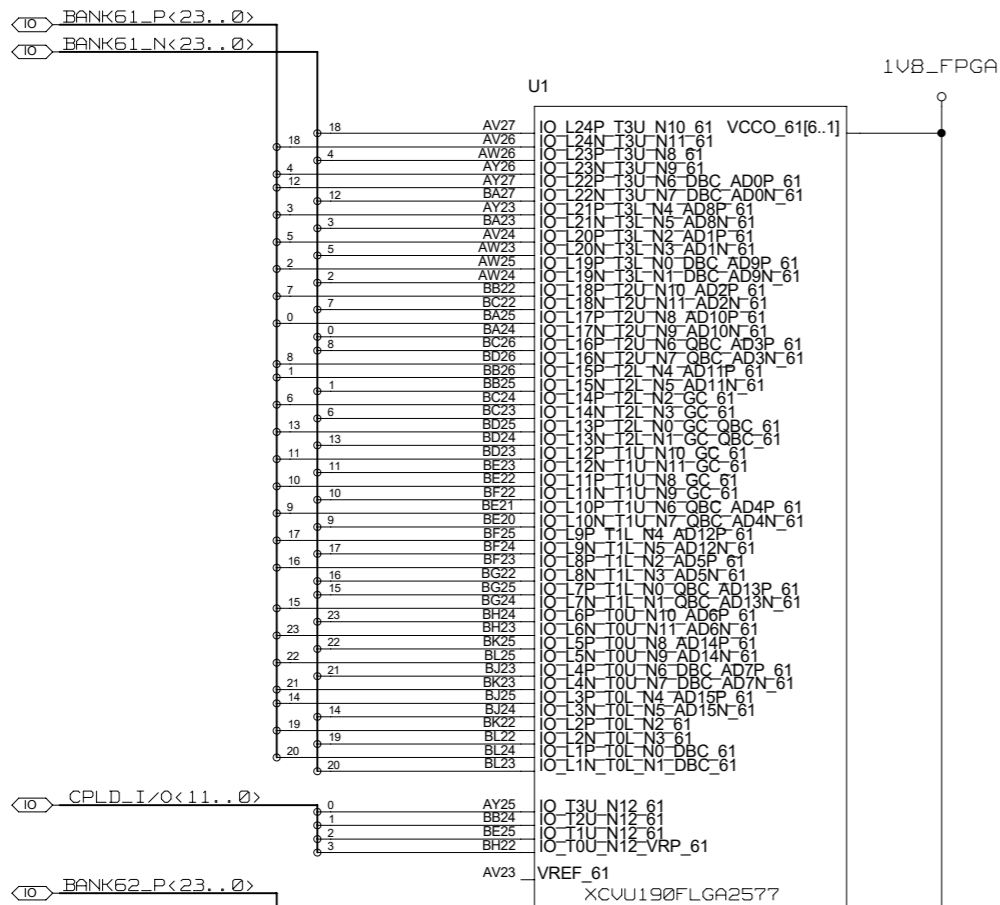
ZONE	LTR	DESCRIPTION	DATE	APPR.

MEZZANINE CONNECTOR GND AND VCC



CHECKED	NAME	DATE	SIGN	DRAWING TITLE <h1>L1TOPO</h1>		
CHECKED	J. V.DE SOUZA					
CHECKED	U.SCHAEFER					
CHECKED	S.RAVE					
DRAWN	BAUSS					
BLOCK TITLE						
UNIVERSITY OF MAINZ				SIZE C	REV.	DRAWING NO.
				SCALE		SHEET OF

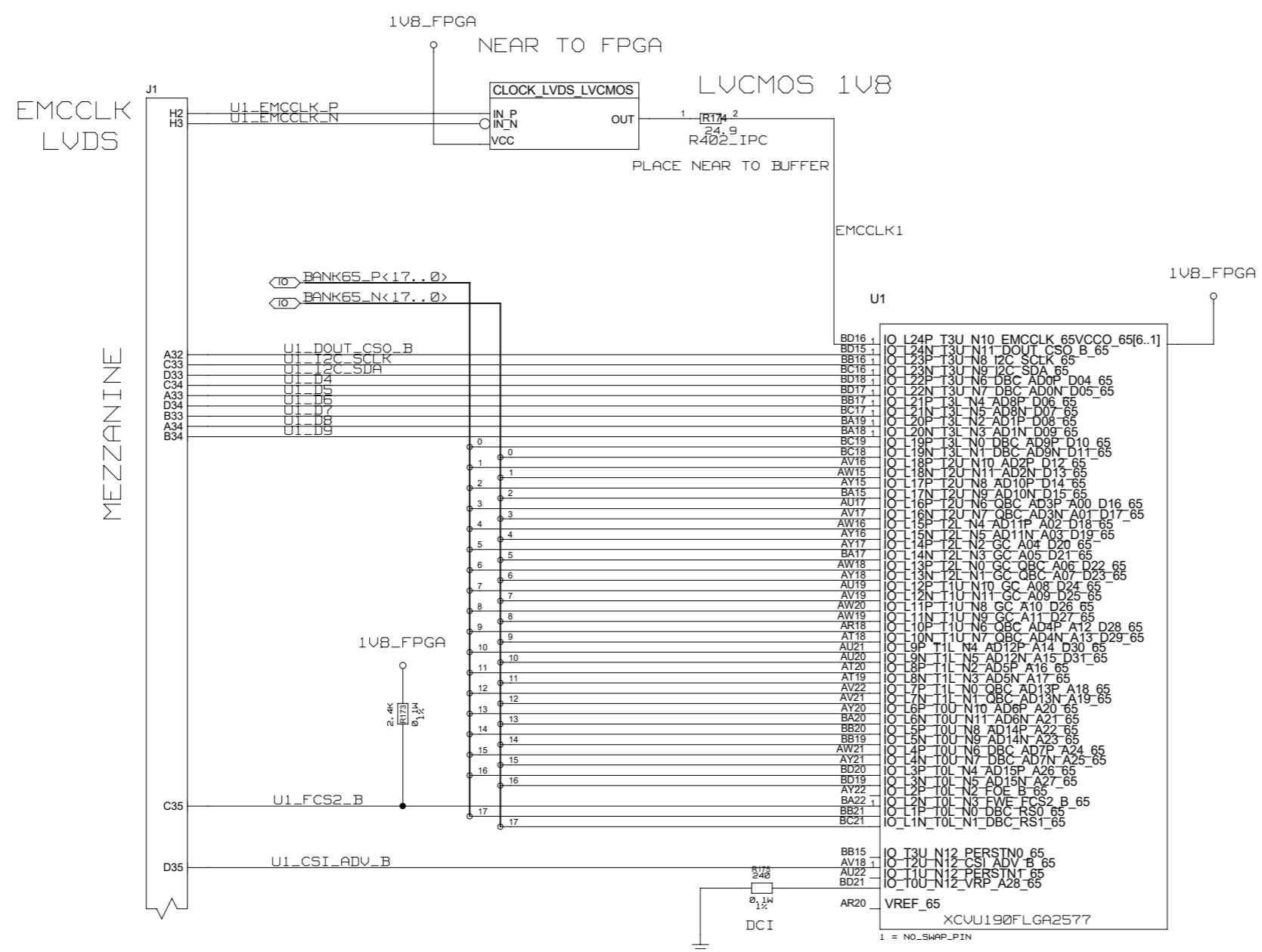
REVISIONS				
ZONE	LTR	DESCRIPTION	DATE	APPR.



BANK
61
62
63

NAME	DATE	SIGN	DRAWING TITLE	
CHECKED	J. V. DE SOUZA		L1 TOPO	
CHECKED	U. SCHAEFER			
CHECKED	S. RAVE			
DRAWN	BAUSS	25.08.2015		
BLOCK TITLE			DRAWING NO.	
U1_PARALLEL_I/O			DRAWING NO.	
UNIVERSITY OF MAINZ			SIZE	REV.
			C	
			SCALE	SHEET 1 OF 5

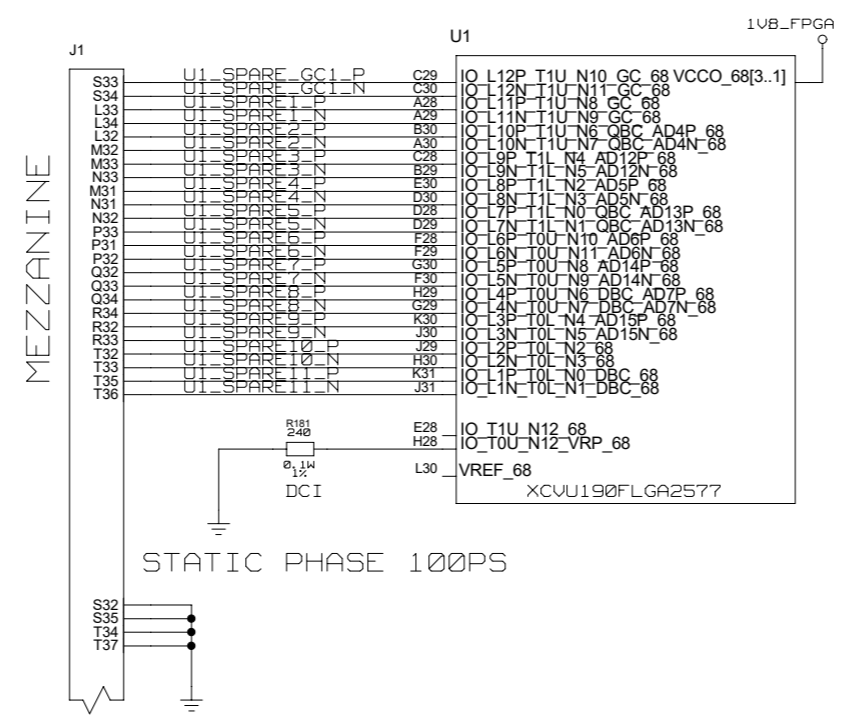
REVISIONS				
ZONE	LTR	DESCRIPTION	DATE	APPR.



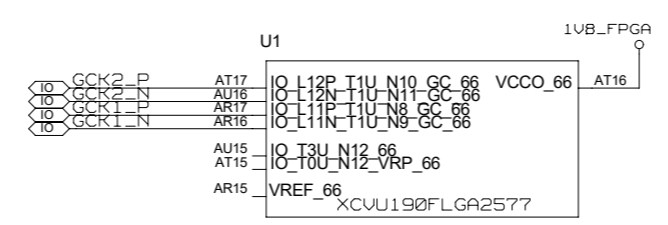
BANK
65

NAME	DATE	SIGN	DRAWING TITLE
CHECKED J. V. DE SOUZA			
CHECKED U. SCHAEFER			
CHECKED S. RAVE			
DRAWN BAUSS	25.08.2015		
BLOCK TITLE			L1 TOPO
U1_PARALLEL_I/O			
UNIVERSITY OF MAINZ			SIZE C
			REV.
			DRAWING NO.
			SCALE
			SHEET 2 OF 5

REVISIONS				
ZONE	LTR	DESCRIPTION	DATE	APPR.



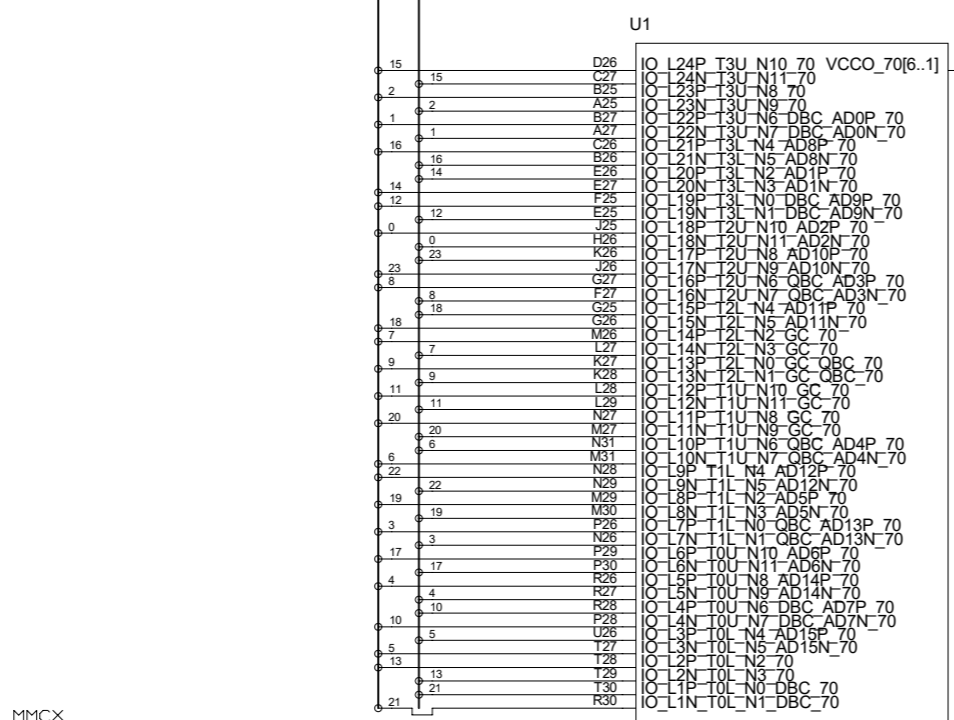
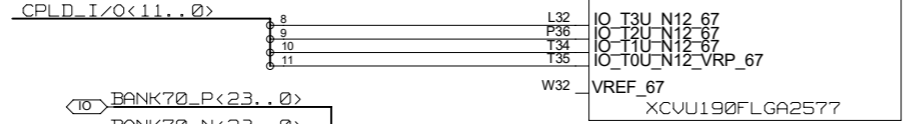
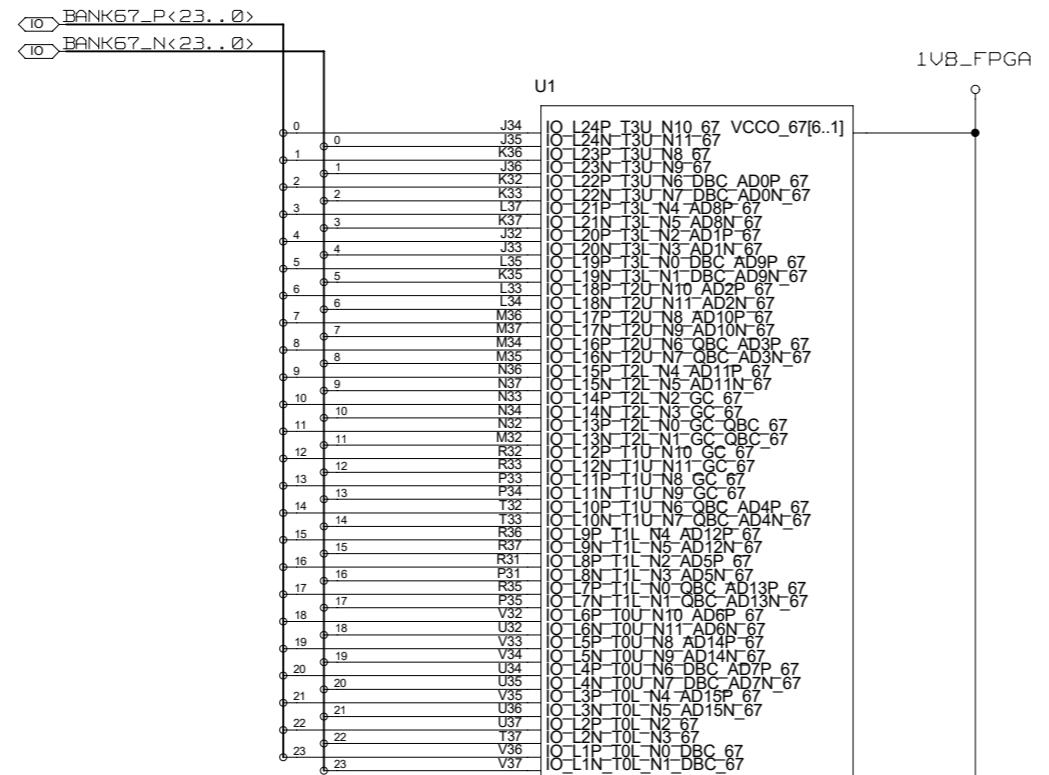
TO PAGE 43
(PRINTED VERSION)



BANK
66
68

CHECKED	NAME	DATE	SIGN	DRAWING TITLE		
CHECKED	J. V. DE SOUZA					
CHECKED	U. SCHAEFER					
CHECKED	S. RAVE					
DRAWN	BAUSS	25.08.2015		L1 TOPO		
BLOCK TITLE						
UNIVERSITY OF MAINZ				SIZE	REV.	DRAWING NO.
				SCALE		SHEET 3 OF 5

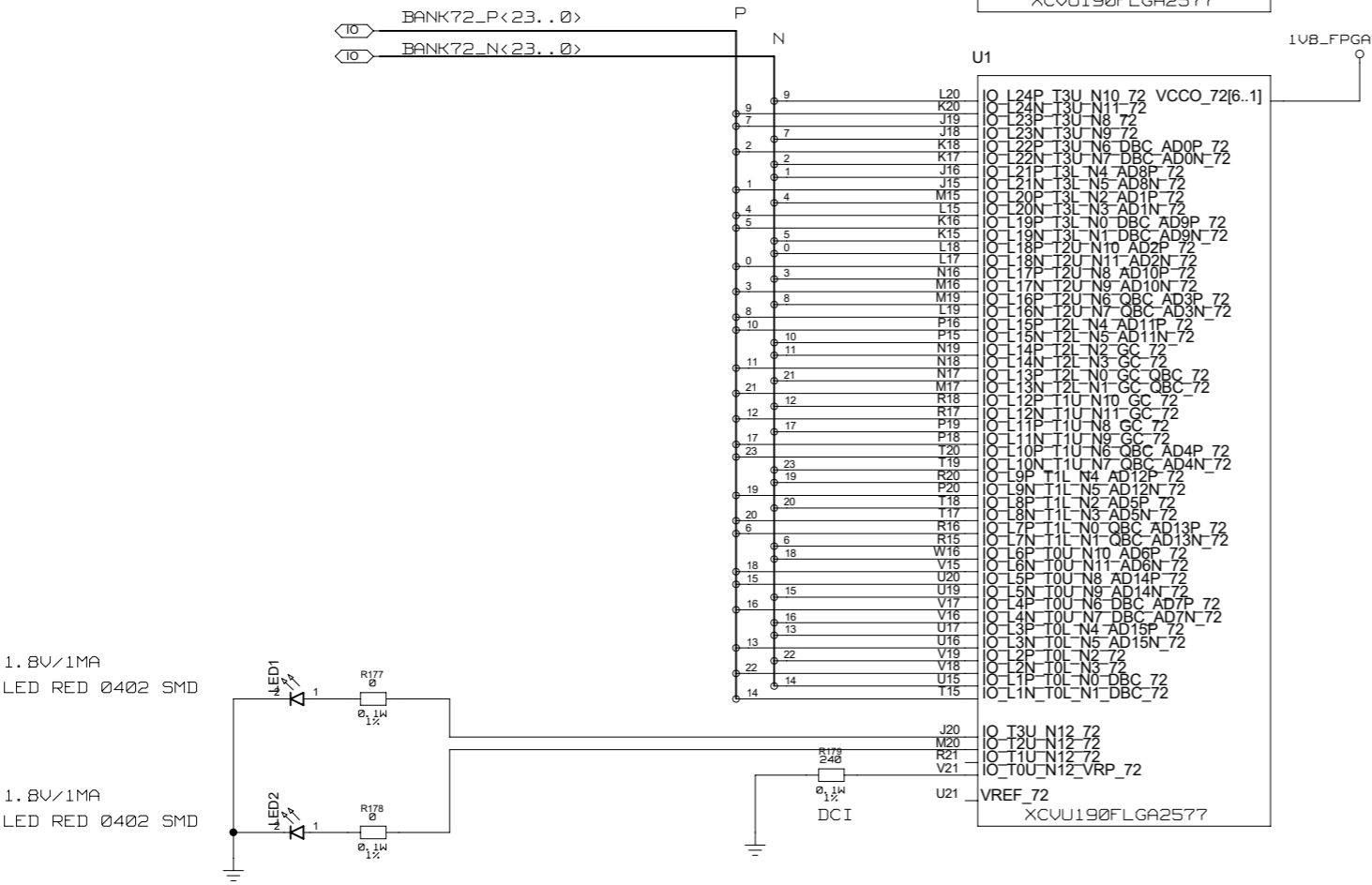
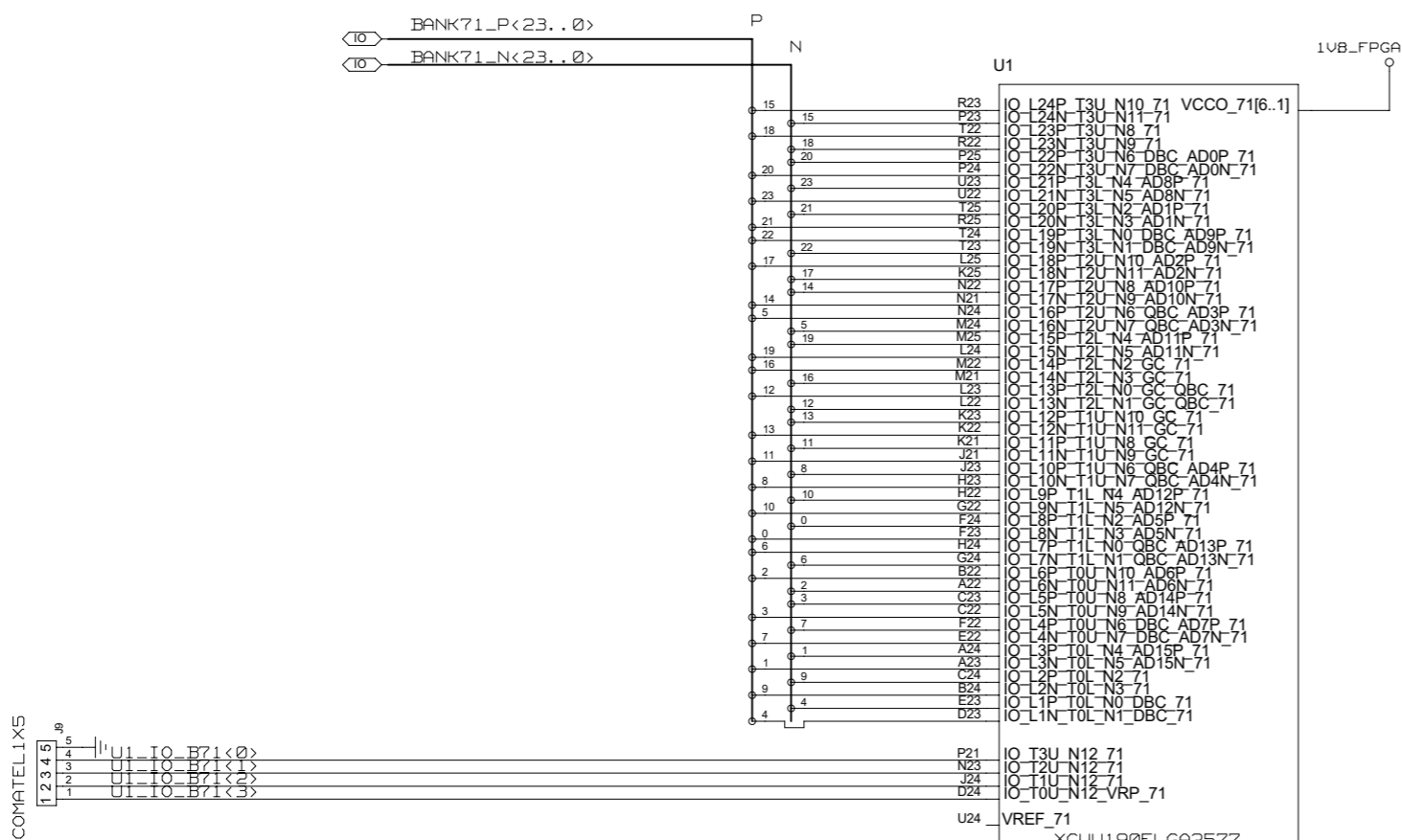
REVISIONS				
ZONE	LTR	DESCRIPTION	DATE	APPR.



BANK
67
70

CHECKED	NAME	DATE	SIGN	DRAWING TITLE	
CHECKED	J. V. DE SOUZA			L1TOPO	
CHECKED	U. SCHAEFER				
CHECKED	S. RAVE				
DRAWN	BAUSS	25.08.2015			
BLOCK TITLE				UNIVERSITY OF MAINZ	
SIZE		REV.	DRAWING NO.		
SCALE					SHEET 4 of 5

REVISIONS				
ZONE	LTR	DESCRIPTION	DATE	APPR.

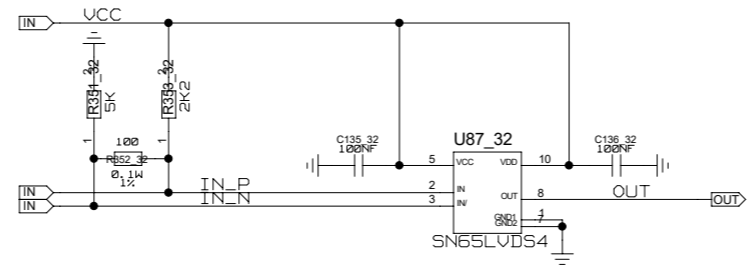


BANK
71
72

NAME	DATE	SIGN	DRAWING TITLE
CHECKED J. V.DE SOUZA			L1TOPO
CHECKED U.SCHAEFER			
CHECKED S.RAVE			
DRAWN BAUSS	25.08.2015		
BLOCK TITLE			UNIVERSITY OF MAINZ
SIZE	REV.	DRAWING NO.	
C			
SCALE		SHEET 5 OF 5	

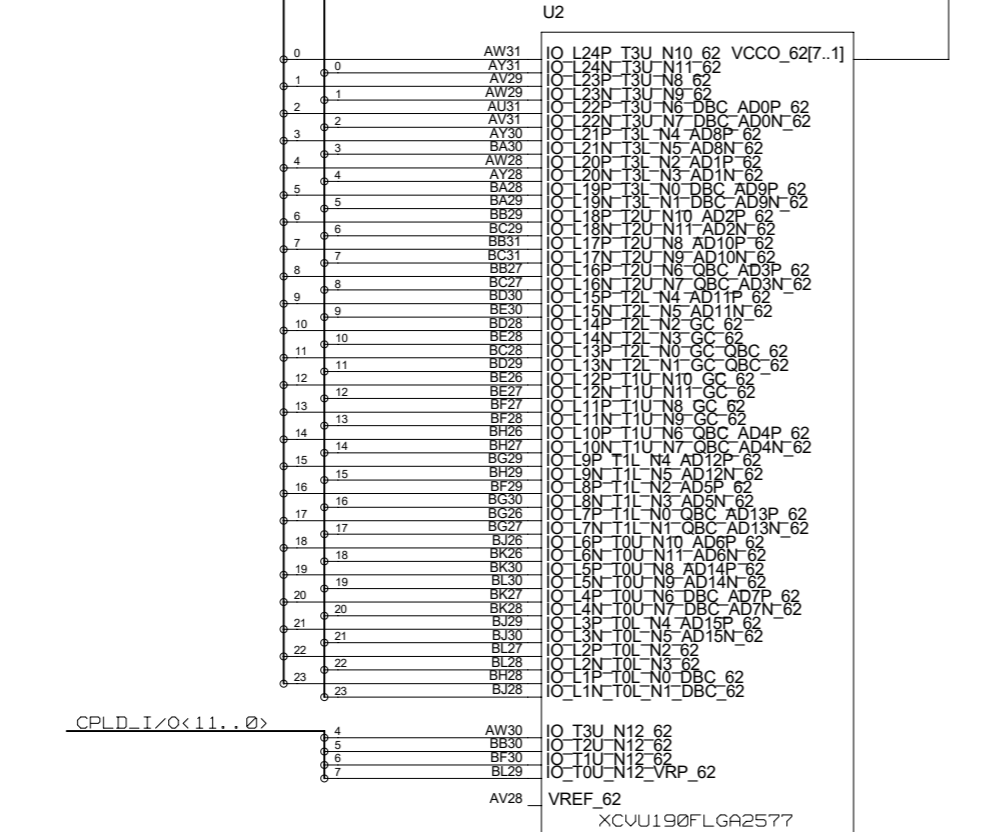
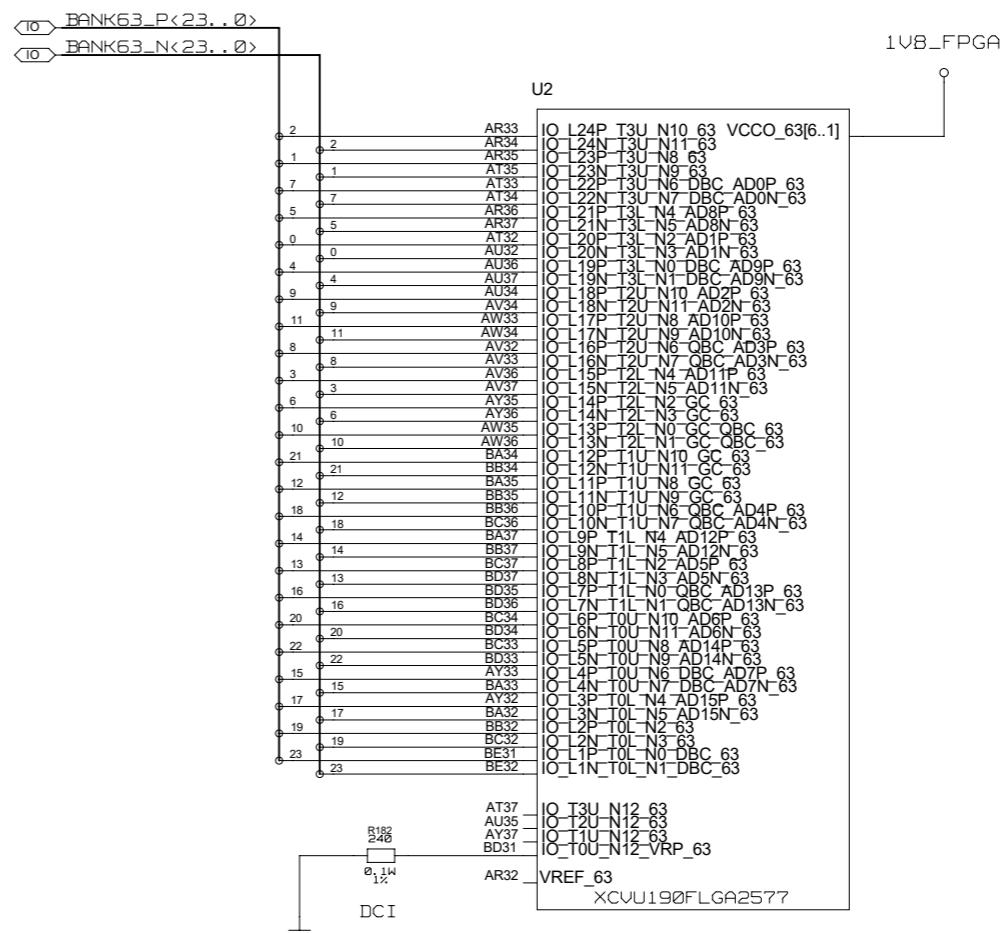
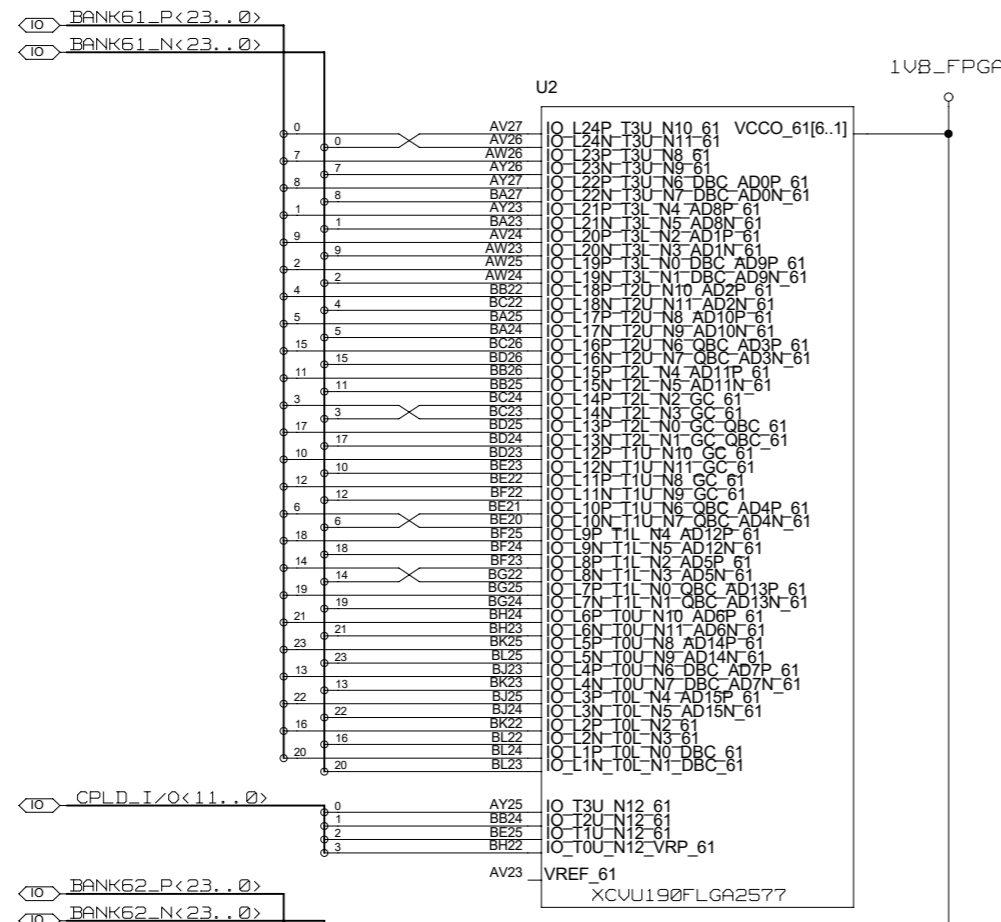
REVISIONS				
ZONE	LTR	DESCRIPTION	DATE	APPR.

CLOCK_LVDS_LVCMOS



CHECKED	J. V. DE SOUZA			DRAWING TITLE <h1>L1 TOPO</h1>
CHECKED	U. SCHAEFER			
CHECKED	S. RAVE			
DRAWN	BAUSS			
BLOCK TITLE CLOCK_LVDS_LVCMOS				
UNIVERSITY OF MAINZ				SIZE C
				REV.
				DRAWING NO.
				SHEET OF

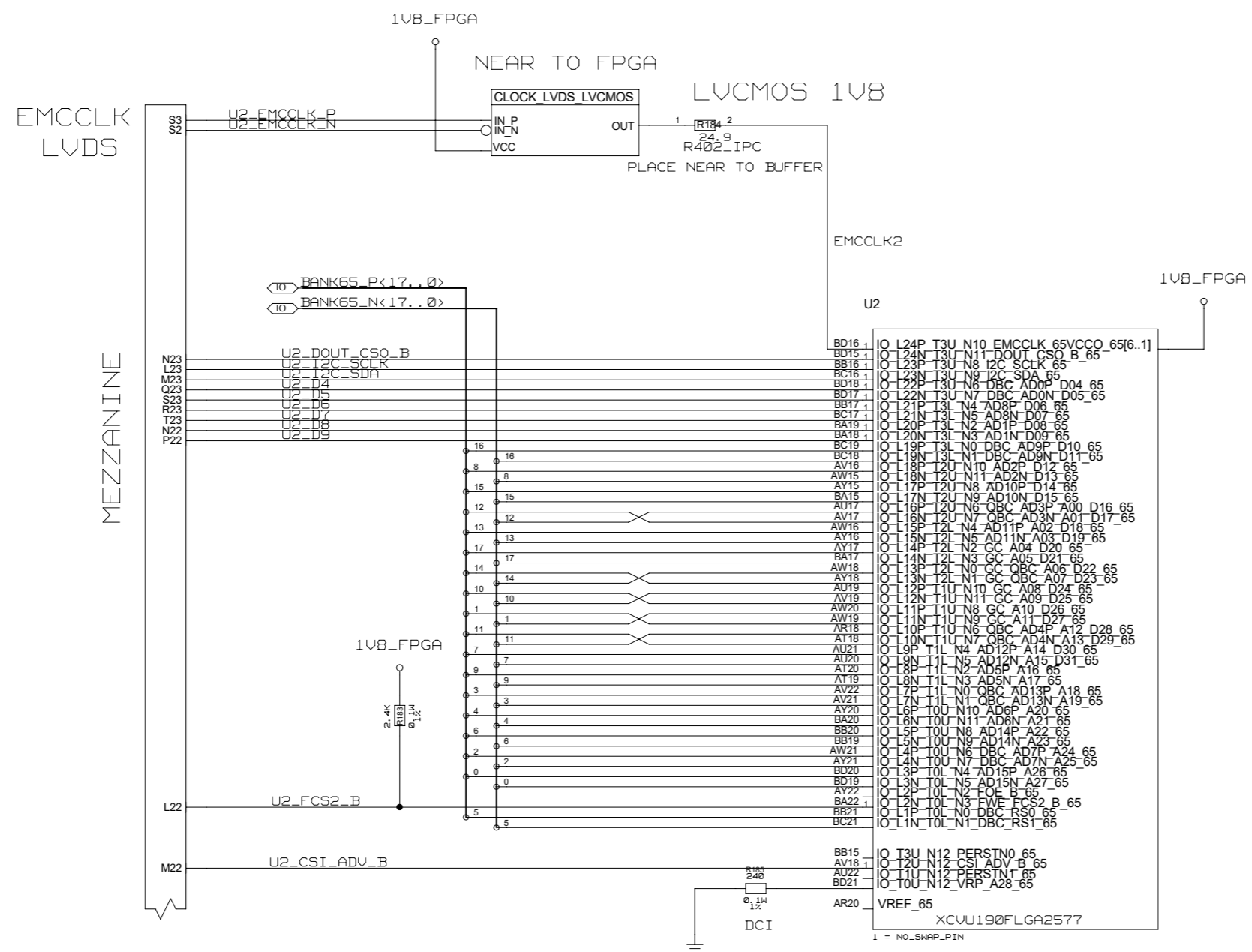
REVISIONS			
ZONE	LTR	DESCRIPTION	DATE



BANK
61
62
63

NAME	DATE	SIGN	DRAWING TITLE	
CHECKED J. V. DE SOUZA			L1TOPO	
CHECKED U. SCHAEFER				
CHECKED S. RAVE				
DRAWN BAUSS	25.08.2015		BLOCK TITLE	
UNIVERSITY OF MAINZ			SIZE	DRAWING NO.
			SCALE	SHEET 1 OF 5

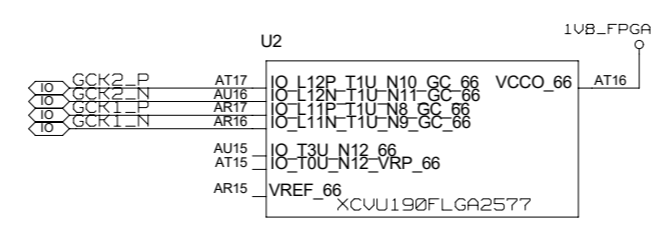
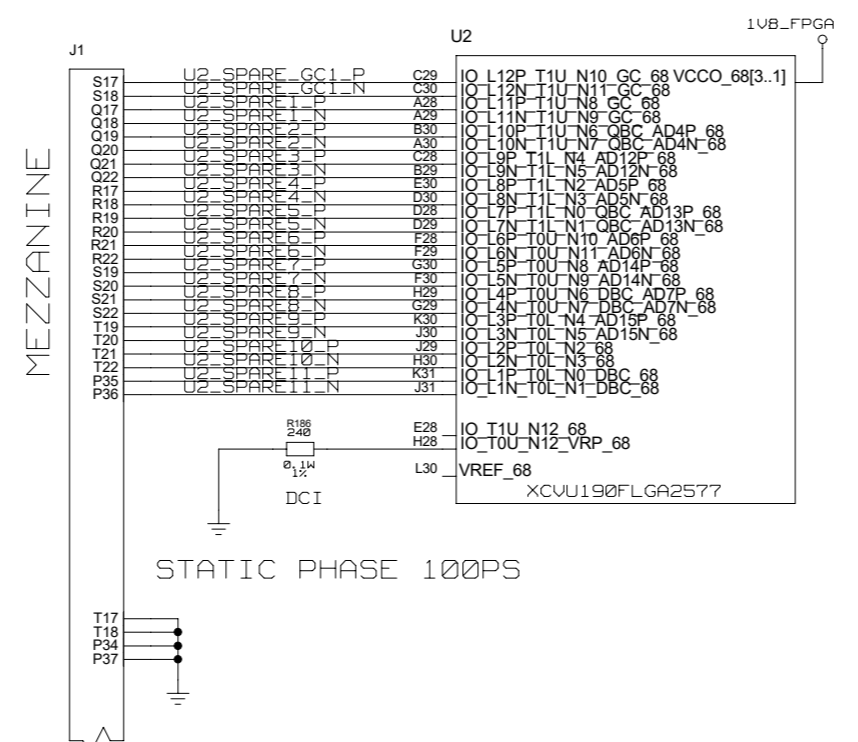
REVISIONS				
ZONE	LTR	DESCRIPTION	DATE	APPR.



BANK
65

NAME	DATE	SIGN	DRAWING TITLE	
CHECKED J. V. DE SOUZA			L1 TOPO	
CHECKED U. SCHAEFER				
CHECKED S. RAVE				
DRAWN BAUSS	25.08.2015			
BLOCK TITLE			SIZE	DRAWING NO.
U2_PARALLEL_I/O			C	
UNIVERSITY OF MAINZ			SCALE	SHEET 2 OF 5

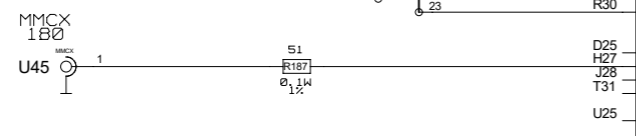
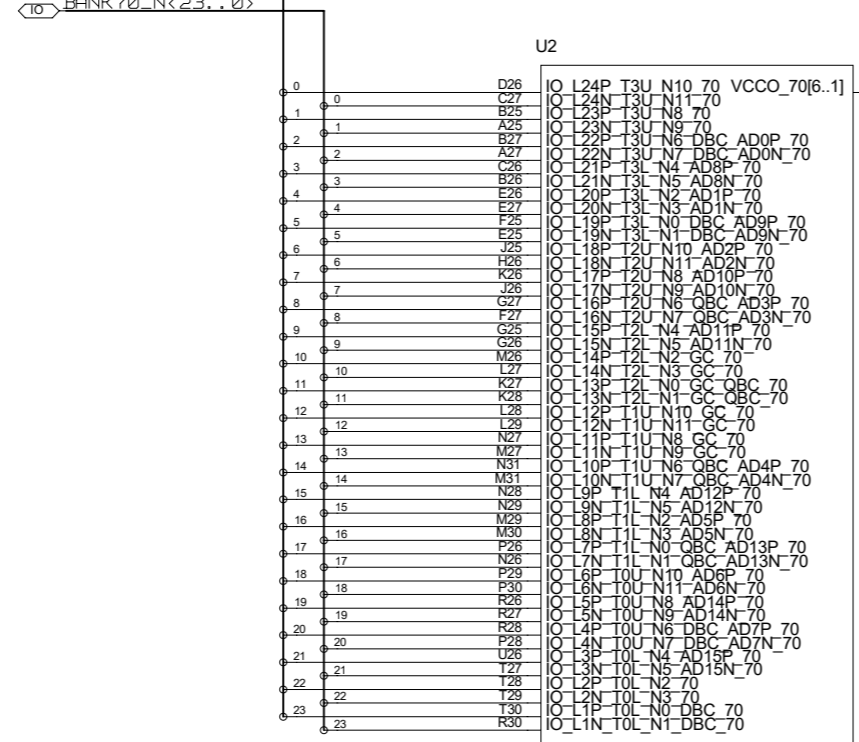
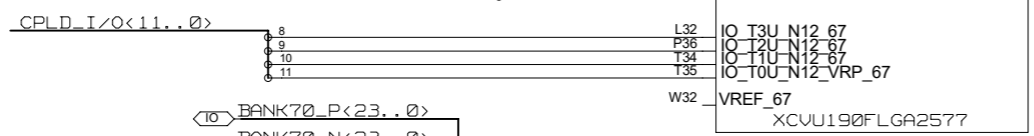
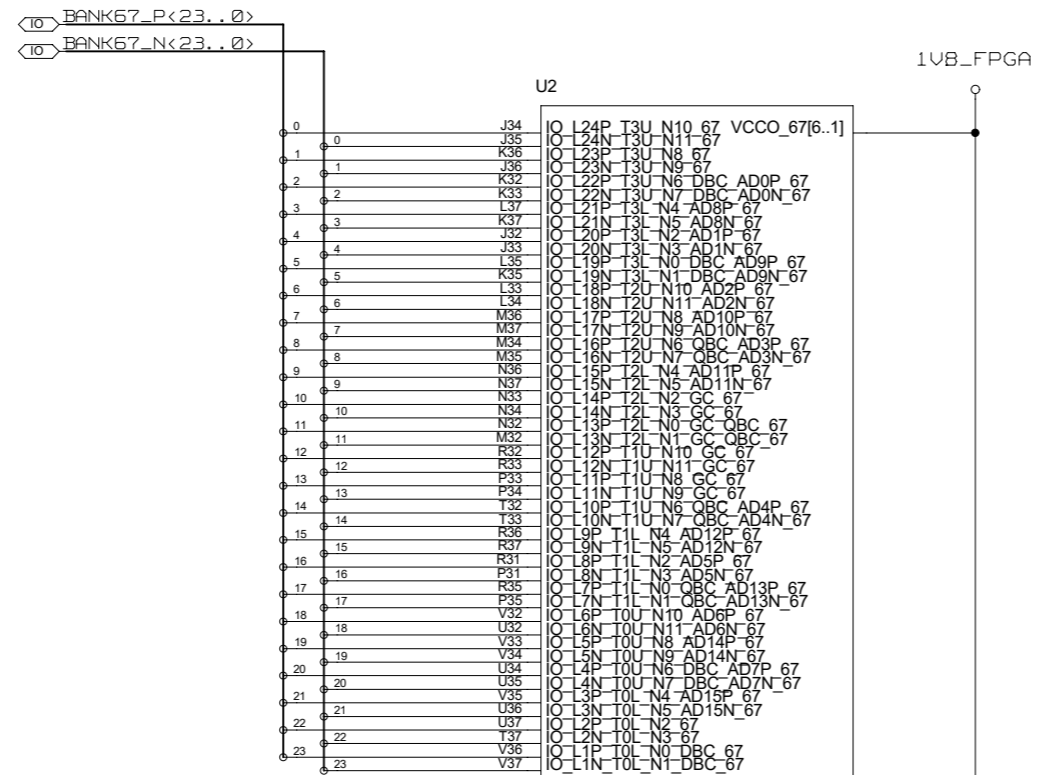
REVISIONS				
ZONE	LTR	DESCRIPTION	DATE	APPR.



BANK
66
68

CHECKED	NAME	DATE	SIGN	DRAWING TITLE L1 TOPO
CHECKED	J. V. DE SOUZA			
CHECKED	U. SCHAEFER			
CHECKED	S. RAVE			
DRAWN	BAUSS	25.08.2015		
BLOCK TITLE U2_PARALLEL_I/O				
UNIVERSITY OF MAINZ				SIZE C
				REV.
				DRAWING NO.
SCALE				SHEET 3 OF 5

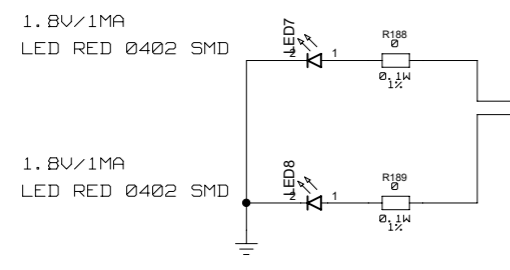
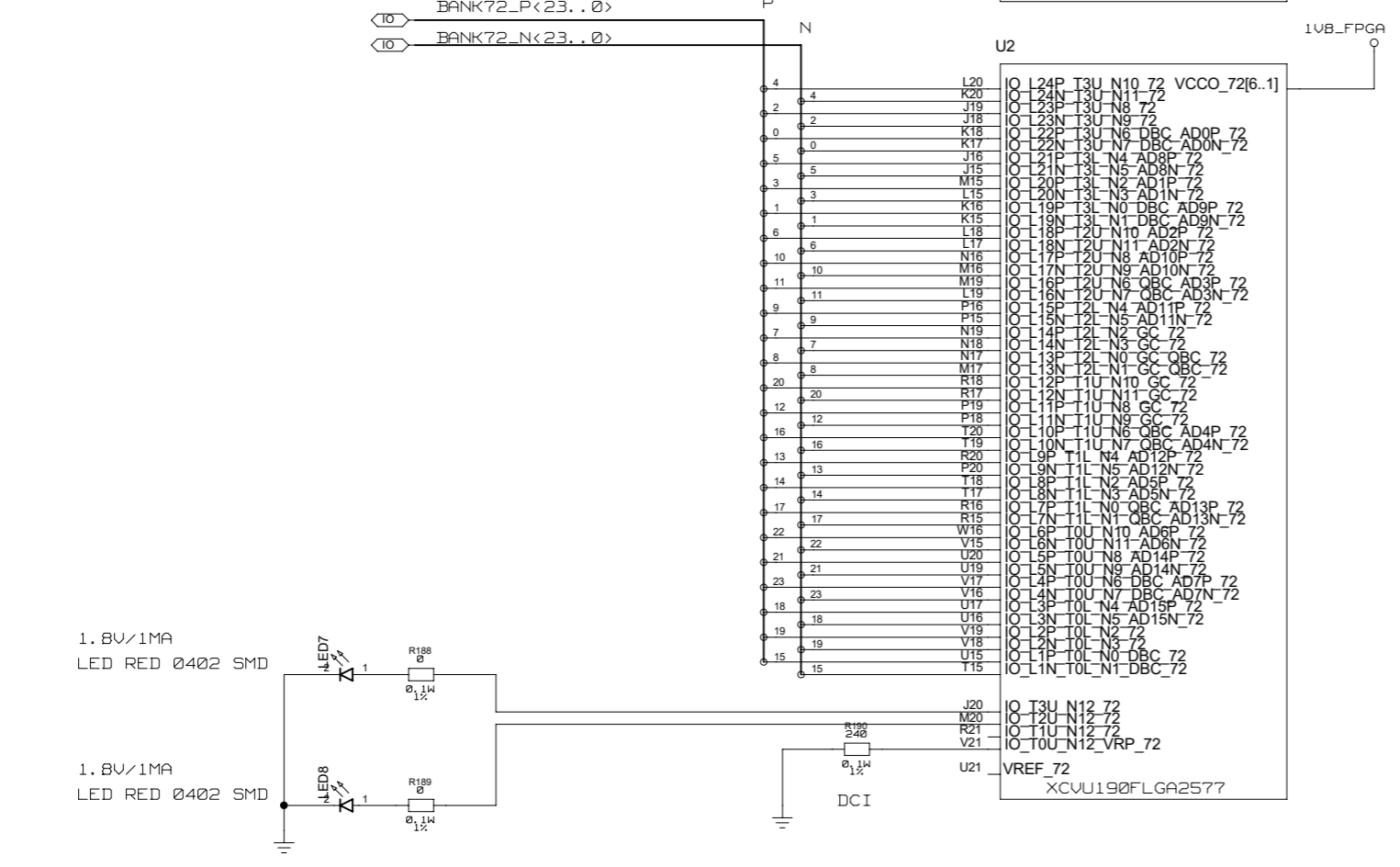
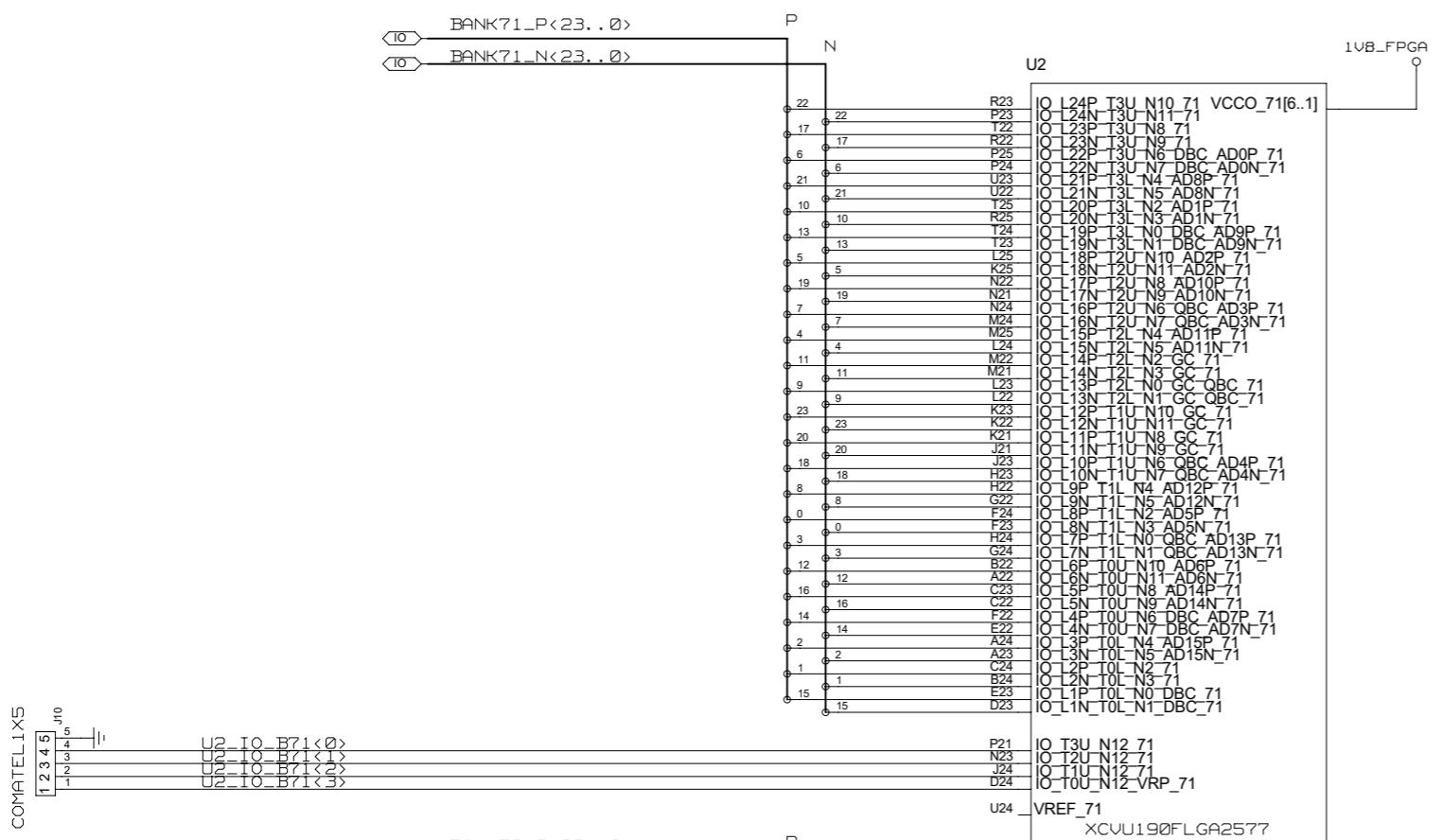
REVISIONS				
ZONE	LTR	DESCRIPTION	DATE	APPR.



BANK
67
70

CHECKED	J. V. DE SOUZA	DATE	SIGN	DRAWING TITLE <h1>L1 TOPO</h1>
CHECKED	U. SCHAEFER			
CHECKED	S. RAVE			
DRAWN	BAUSS	25.08.2015		
BLOCK TITLE U2_PARALLEL_I/O				SIZE C
UNIVERSITY OF MAINZ				REV.
				DRAWING NO.
SCALE				SHEET 4 of 5

REVISIONS				
ZONE	LTR	DESCRIPTION	DATE	APPR.

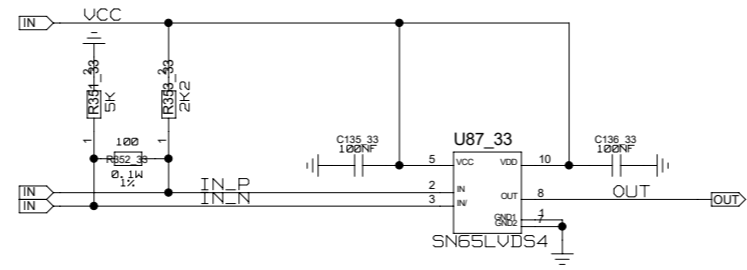


BANK
71
72

NAME	DATE	SIGN	DRAWING TITLE
CHECKED	J. V. DE SOUZA		L1 TOPO
CHECKED	U. SCHAEFER		
CHECKED	S. RAVE		
DRAWN	BAUSS	25.08.2015	
BLOCK TITLE			U2_PARALLEL_I/O
UNIVERSITY OF MAINZ			SIZE C
			REV.
			DRAWING NO.
			SCALE
			SHEET 5 OF 5

REVISIONS				
ZONE	LTR	DESCRIPTION	DATE	APPR.

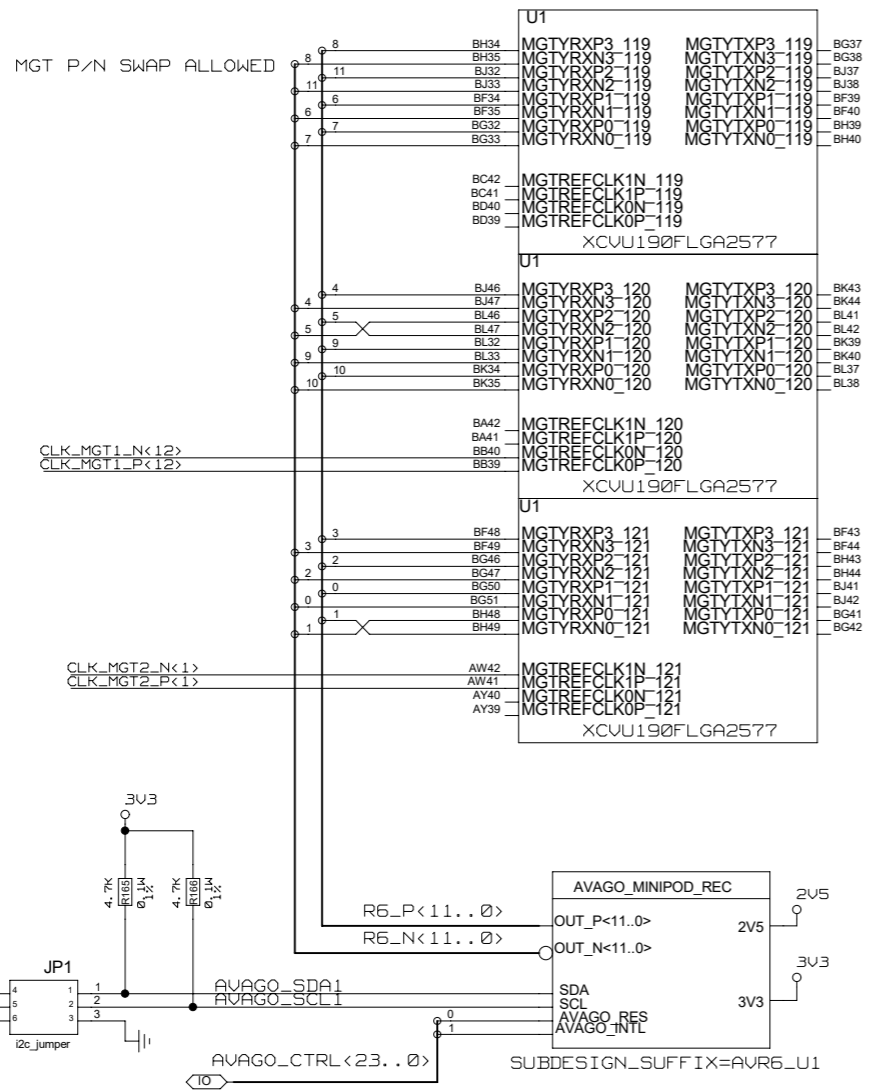
CLOCK_LVDS_LVCMOS



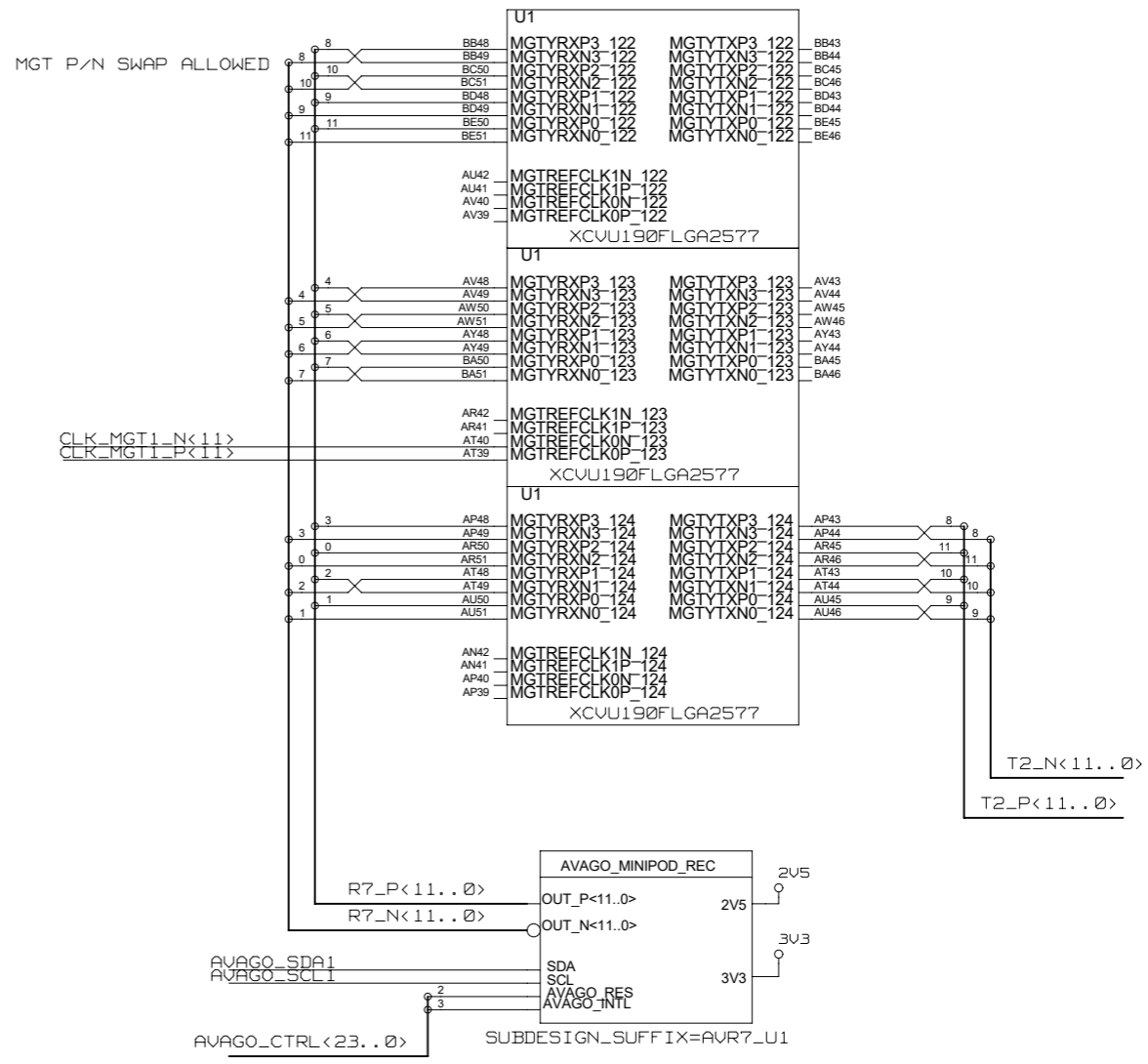
CHECKED	J. V. DE SOUZA	DATE	SIGN	DRAWING TITLE <h1>L1 TOPO</h1>
CHECKED	U. SCHAEFER			
CHECKED	S. RAVE			
DRAWN	BAUSS			
BLOCK TITLE CLOCK_LVDS_LVCMOS				
UNIVERSITY OF MAINZ				SIZE C
				REV.
				DRAWING NO.
SCALE				SHEET OF

HIGH SPEED OPTICAL LINKS

REVISIONS				
ZONE	LTR	DESCRIPTION	DATE	APPR.



AVR6 I2C ADDRESS:
 R3=NA R4=4K7
 R5=NA R6=4K7
 R7=4K7 R8=NA



AVR7 I2C ADDRESS:
 R3=NA R4=4K7
 R5=4K7 R6=NA
 R7=NA R8=4K7

IN CLK_MGT1_P<12..1>
 IN CLK_MGT1_N<12..1>
 IN CLK_MGT2_P<6..1>
 IN CLK_MGT2_N<6..1>

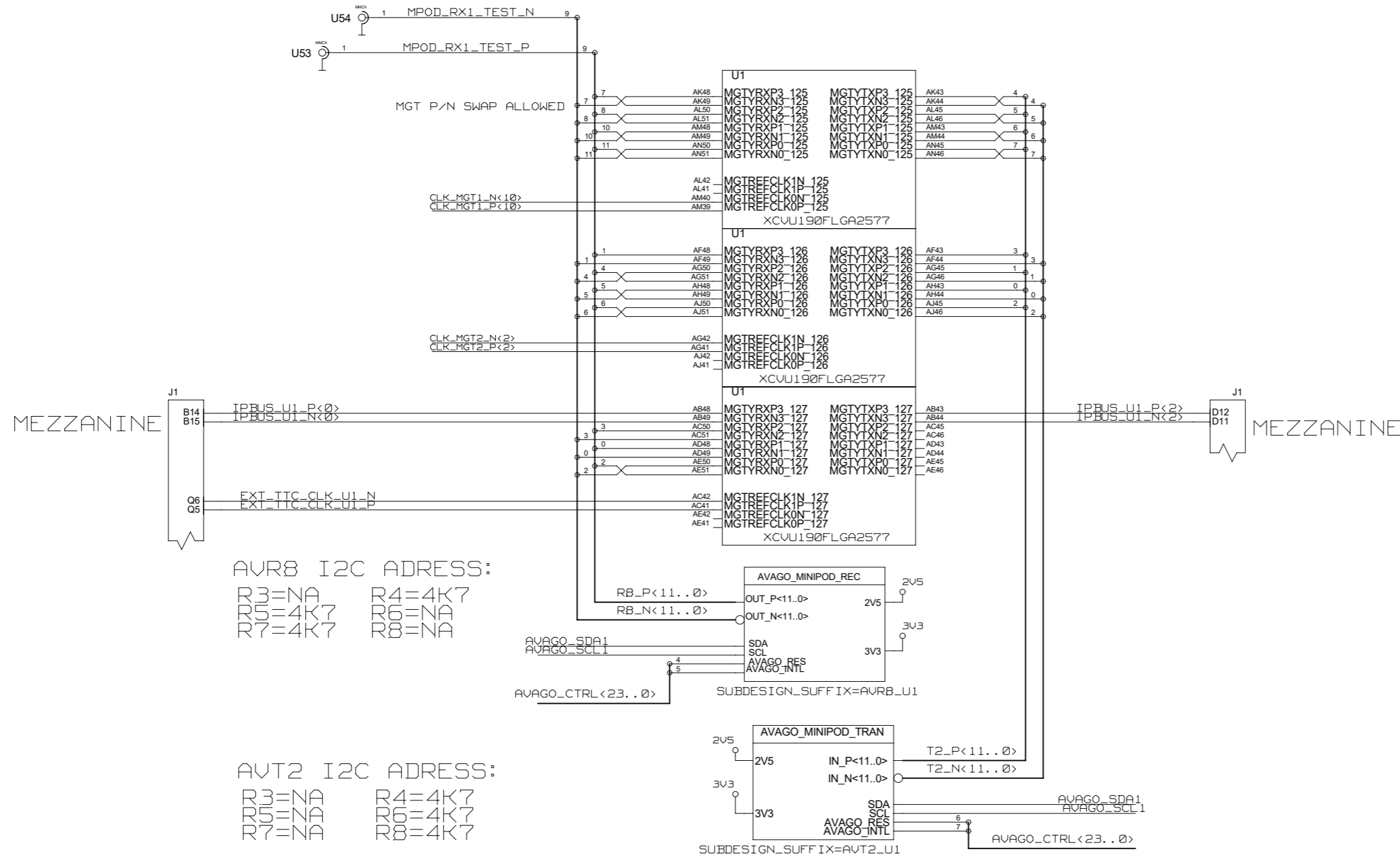
BANK
119
120
121
122
123
124

NAME	DATE	SIGN	DRAWING TITLE	
CHECKED	J. V. DE SOUZA		L1 TOPO	
CHECKED	U. SCHAEFER			
CHECKED	S. RAVE			
DRAWN	BAUSS	07.08.2015		
BLOCK TITLE			SIZE	DRAWING NO.
U1_MGT_REAL_TIME			C	
UNIVERSITY OF MAINZ			SCALE	SHEET 1 OF 6

REVISIONS				
ZONE	LTR	DESCRIPTION	DATE	APPR.

HIGH SPEED OPTICAL LINKS

HIGH SPEED IPBUS

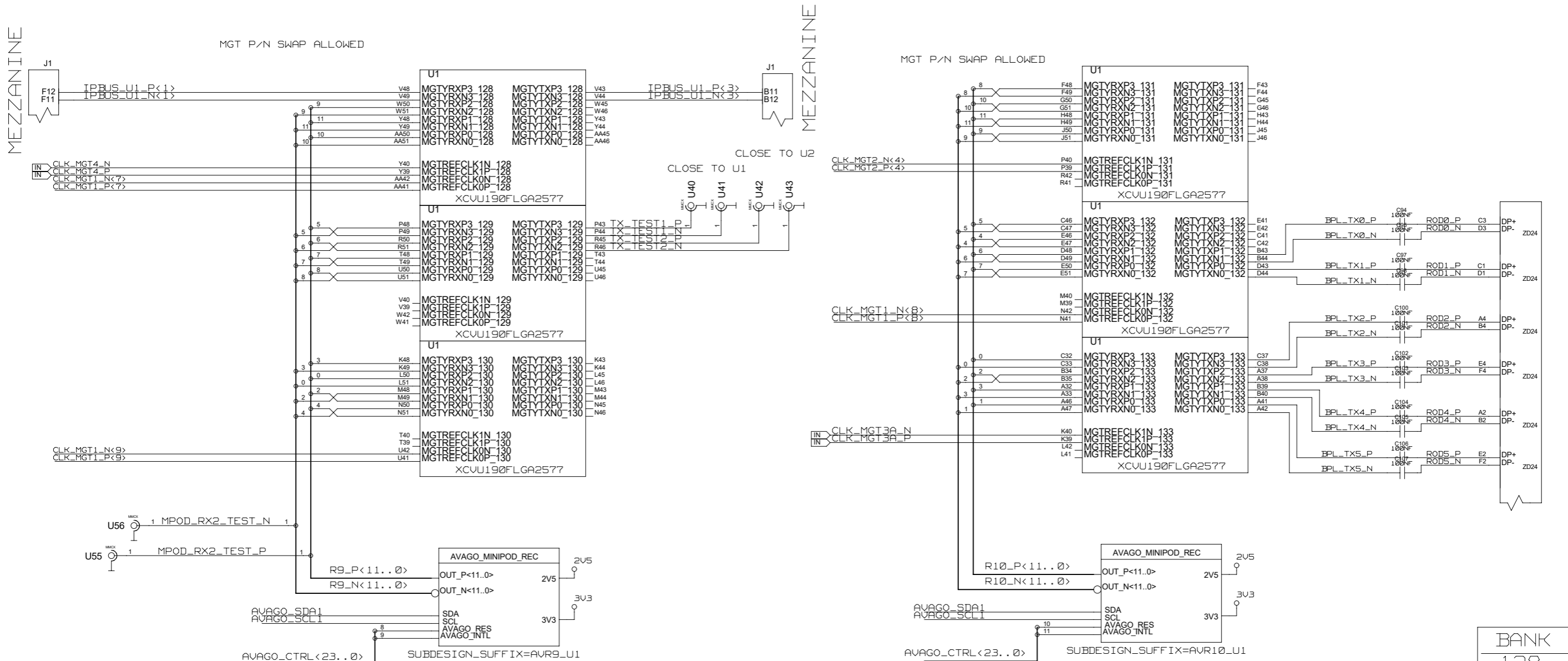


BANK
125
126
127

NAME	DATE	SIGN	DRAWING TITLE
CHECKED J. V. DE SOUZA			L1 TOPO
CHECKED U. SCHAEFER			
CHECKED S. RAVE			
DRAWN BAUSS	07.08.2015		
BLOCK TITLE			UNIVERSITY OF MAINZ
U1_MGT_REAL_TIME			
SIZE	REV.	DRAWING NO.	
C			
SCALE		SHEET 2 OF 6	

REVISIONS				
ZONE	LTR	DESCRIPTION	DATE	APPR.

HIGH SPEED OPTICAL LINKS HIGH SPEED IPBUS



AVR9 I2C ADDRESS:
R3=4K7 R4=NA
R5=NA R6=4K7
R7=NA R8=4K7

AVR10 I2C ADDRESS:
R3=4K7 R4=NA
R5=NA R6=4K7
R7=4K7 R8=NA

BANK
128
129
130
131
132
133
134
135

NAME	DATE	SIGN	DRAWING TITLE
CHECKED	J. V. DE SOUZA		L1 TOPO
CHECKED	U. SCHAEFER		
CHECKED	S. RAVE		
DRAWN	BAUSS	07.08.2015	
BLOCK TITLE			UNIVERSITY OF MAINZ
SIZE	REV.	DRAWING NO.	
C			
SCALE		SHEET 3 OF 6	

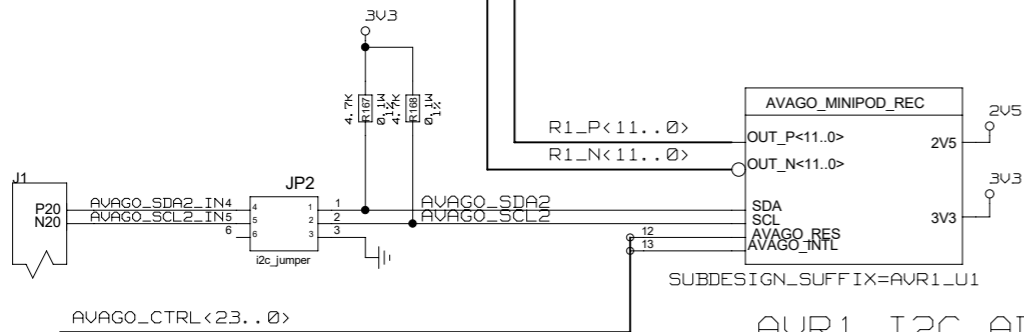
HIGH SPEED OPTICAL LINKS

REVISIONS			
ZONE	LTR	DESCRIPTION	DATE

MGT P/N SWAP ALLOWED

CLK_MGT1_P<1>
CLK_MGT1_N<1>

CLK_MGT2_P<5>
CLK_MGT2_N<5>

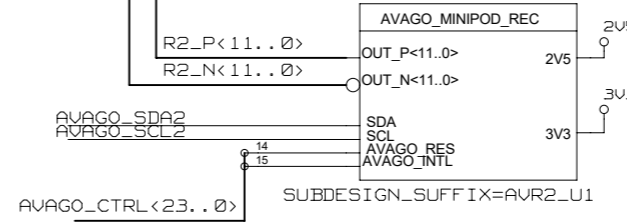


AVAGO_CTRL <23..0>

AVAGO_CTRL <23..0>
AVAGO_CTRL 0, 2, 4, 6, 8, 10 = AVAGO_RES_XX
AVAGO_CTRL 1, 3, 5, 7, 9, 11 = AVAGO_INTL_XX

AVR1 I2C ADDRESS:
R3=NA R4=4K7
R5=NA R6=4K7
R7=4K7 R8=NA

CLK_MGT1_P<2>
CLK_MGT1_N<2>



AVR2 I2C ADDRESS:
R3=NA R4=4K7
R5=4K7 R6=NA
R7=NA R8=4K7

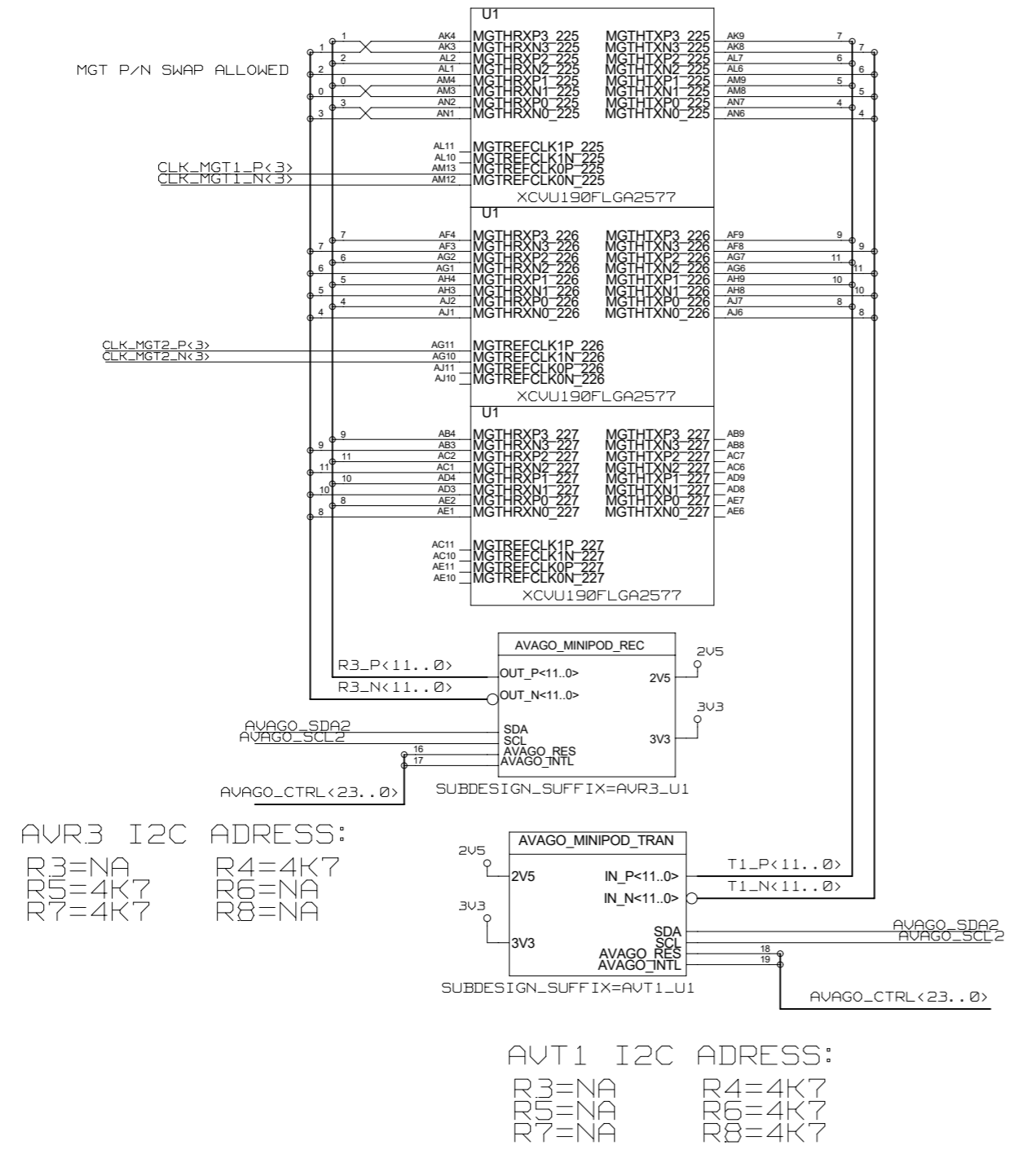
T1_N<11..0>
T1_P<11..0>

BANK
219
220
221
222
223
224

NAME	DATE	SIGN	DRAWING TITLE
CHECKED J. V. DE SOUZA			L1 TOPO
CHECKED U. SCHAEFER			
CHECKED S. RAVE			
DRAWN BAUSS	07.08.2015		
BLOCK TITLE			DRAWING NO.
U1_MGT_REAL_TIME			
UNIVERSITY OF MAINZ		SIZE	
		REV.	
		SCALE	
			SHEET 4 OF 6

REVISIONS				
ZONE	LTR	DESCRIPTION	DATE	APPR.

HIGH SPEED OPTICAL LINKS

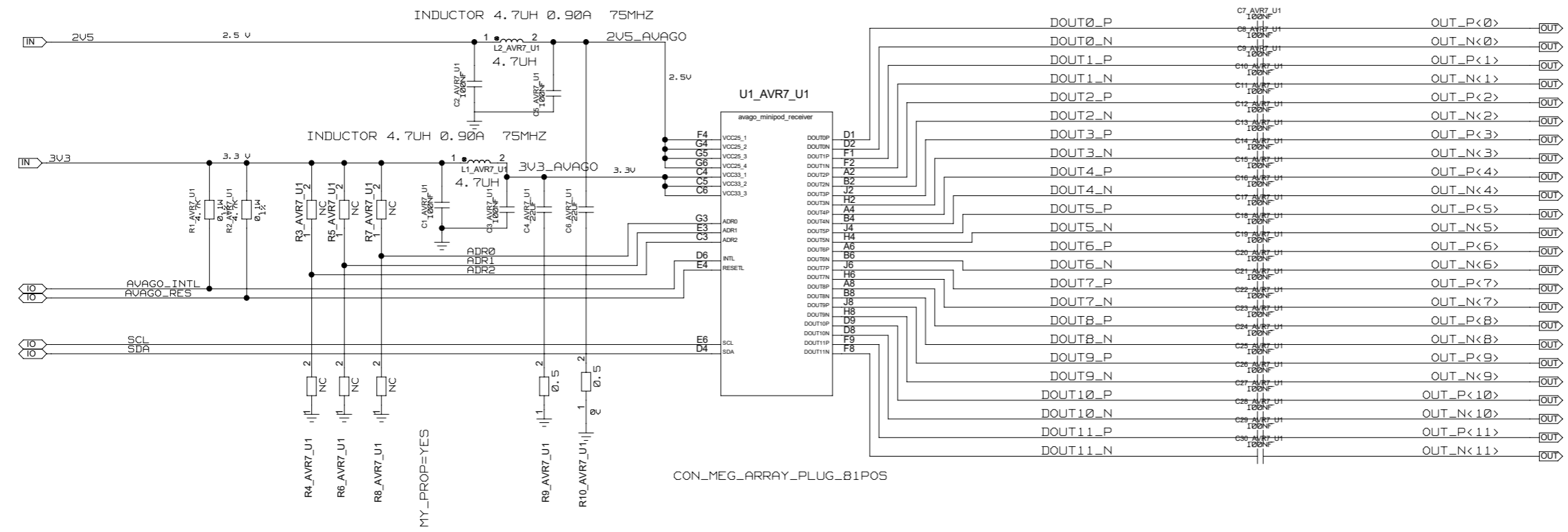


BANK
225
226
227

CHECKED	NAME	DATE	SIGN	DRAWING TITLE <h1>L1TOPO</h1>
CHECKED	J. V. DE SOUZA			
CHECKED	U. SCHAEFER			
CHECKED	S. RAVE			
DRAWN	BAUSS	07.08.2015		
BLOCK TITLE U1_MGT_REAL_TIME				SIZE C
UNIVERSITY OF MAINZ				REV.
SCALE				DRAWING NO.
SHEET 5 OF 6				

REVISIONS				
ZONE	LTR	DESCRIPTION	DATE	APPR.

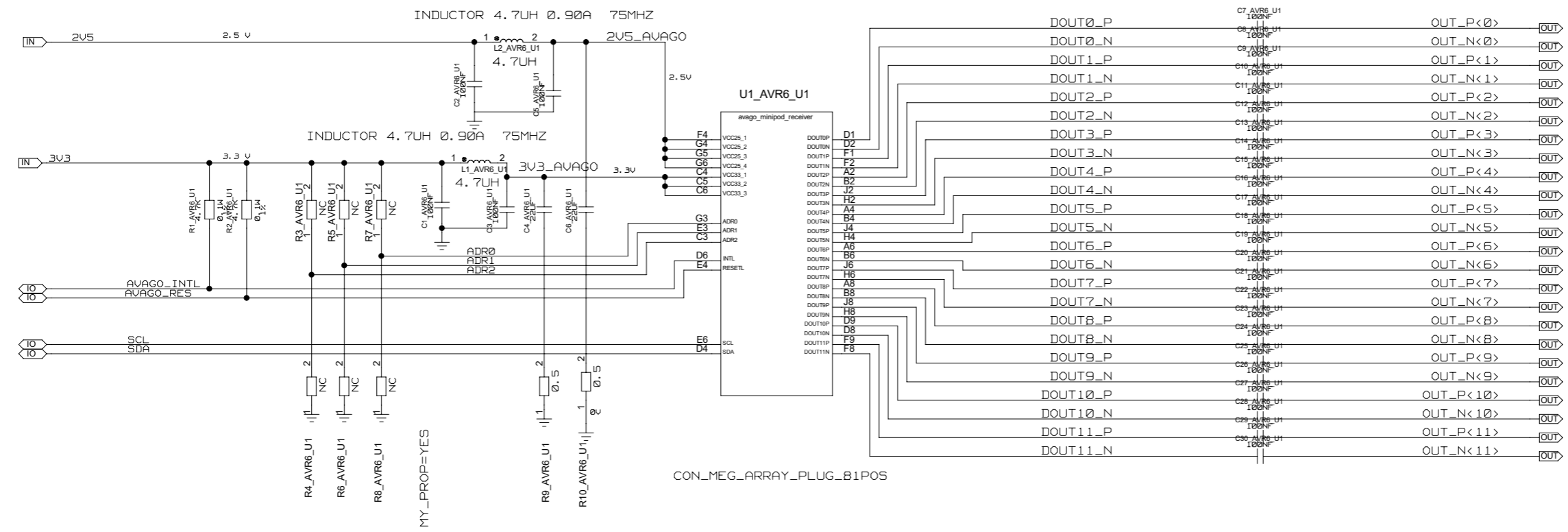
AVAGO RECEIVER



UNIVERSITY OF MAINZ		DRAWING TITLE	
		L1TOPO	
SIZE	REV.	DRAWING NO.	
C			
SCALE		SHEET	OF

REVISIONS				
ZONE	LTR	DESCRIPTION	DATE	APPR.

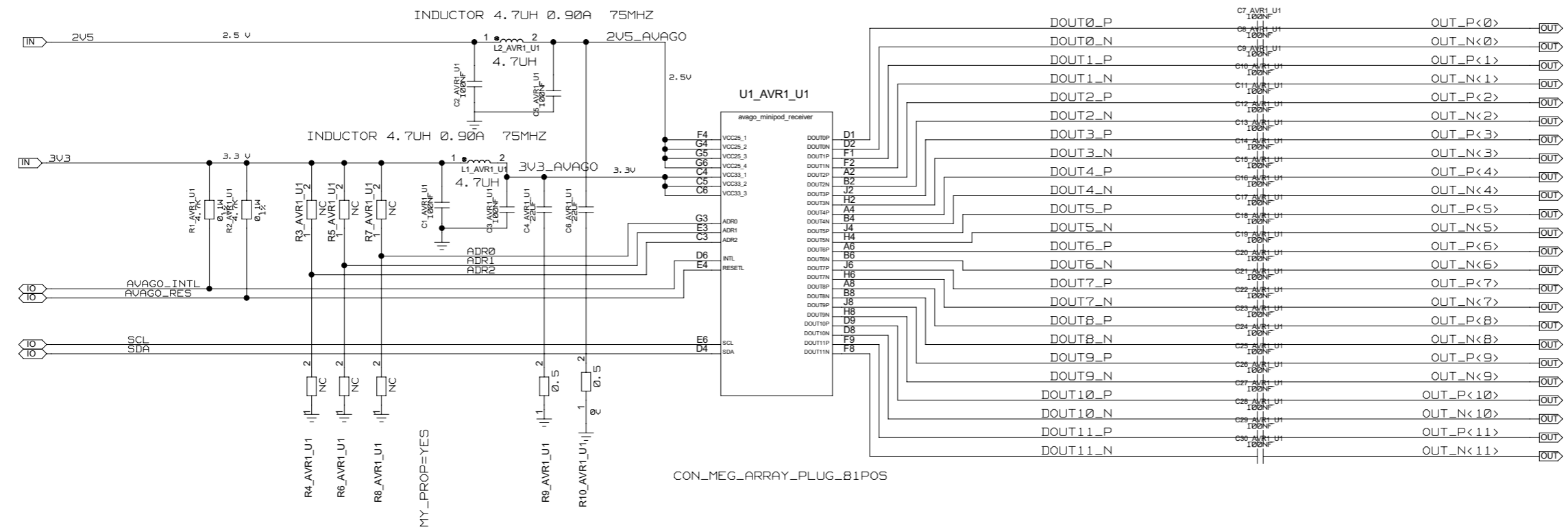
AVAGO RECEIVER



UNIVERSITY OF MAINZ		DRAWING TITLE	
		L1TOPO	
SIZE	REV.	DRAWING NO.	
C			
SCALE		SHEET	OF

REVISIONS				
ZONE	LTR	DESCRIPTION	DATE	APPR.

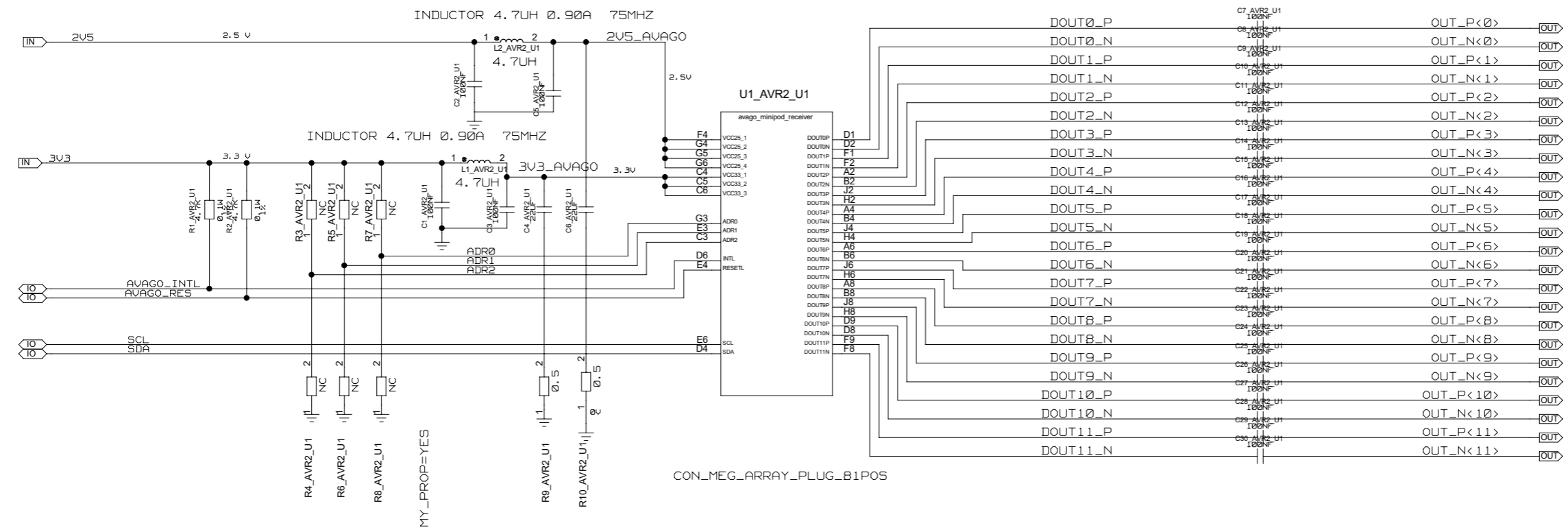
AVAGO RECEIVER



UNIVERSITY OF MAINZ	DRAWING TITLE		
	L1TOPO		
SIZE	REV.	DRAWING NO.	
C			
SCALE		SHEET	OF

REVISIONS				
ZONE	LTR	DESCRIPTION	DATE	APPR.

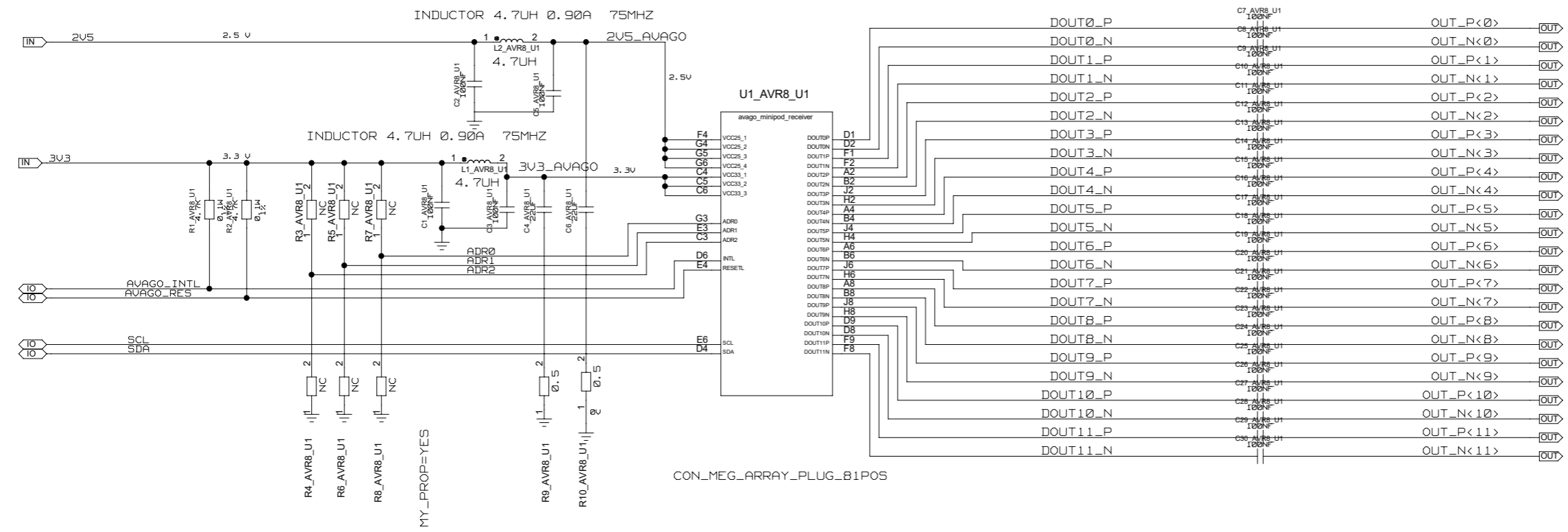
AVAGO RECEIVER



UNIVERSITY OF MAINZ		DRAWING TITLE	
		L1TOPO	
SIZE	REV.	DRAWING NO.	
C			
SCALE		SHEET	OF

REVISIONS				
ZONE	LTR	DESCRIPTION	DATE	APPR.

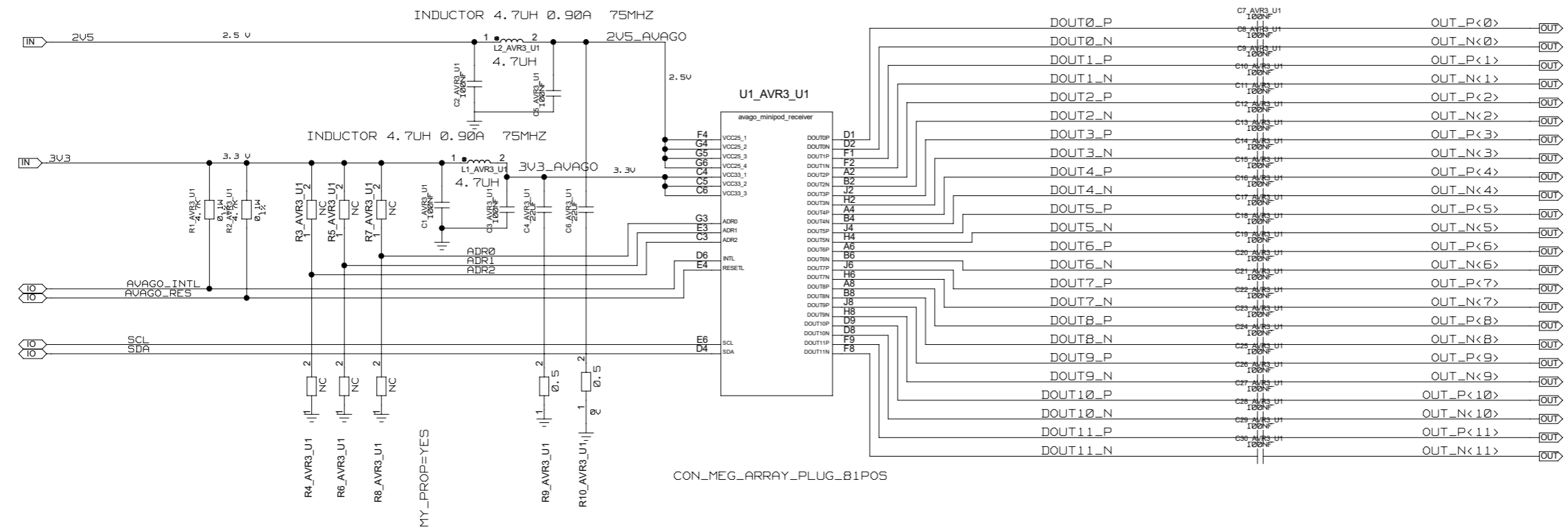
AVAGO RECEIVER



UNIVERSITY OF MAINZ		DRAWING TITLE	
		L1TOPO	
SIZE	REV.	DRAWING NO.	
C			
SCALE		SHEET	OF

REVISIONS				
ZONE	LTR	DESCRIPTION	DATE	APPR.

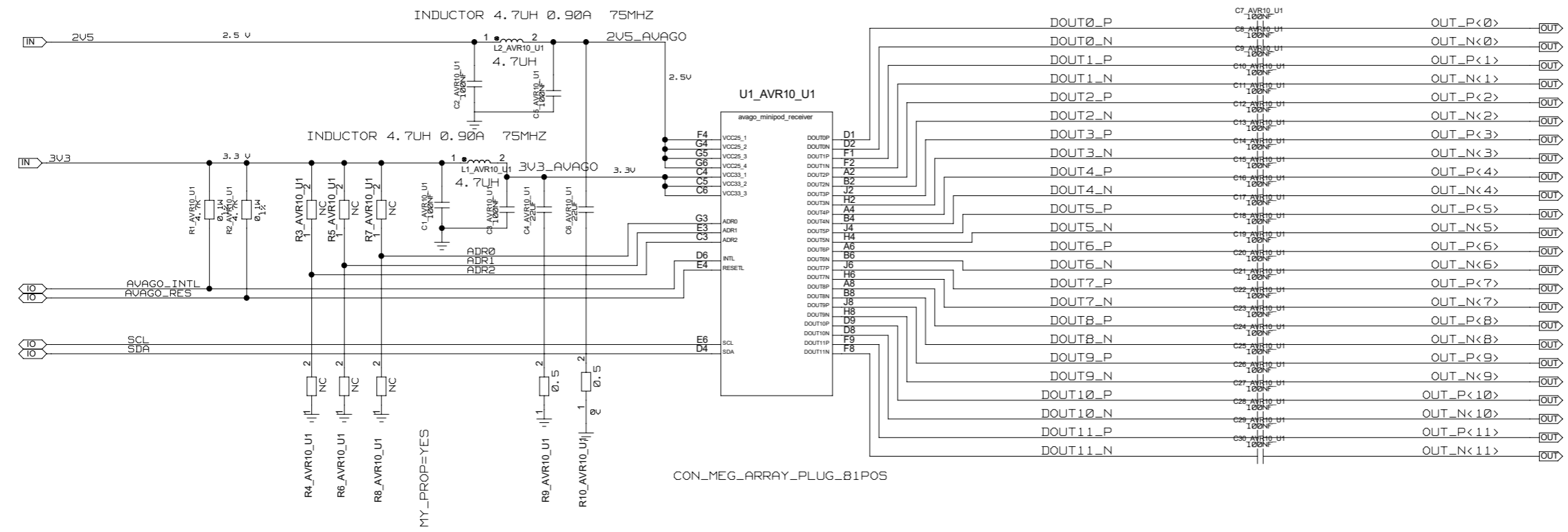
AVAGO RECEIVER



UNIVERSITY OF MAINZ	DRAWING TITLE		
	L1TOPO		
SIZE	REV.	DRAWING NO.	
C			
SCALE			SHEET OF

REVISIONS				
ZONE	LTR	DESCRIPTION	DATE	APPR.

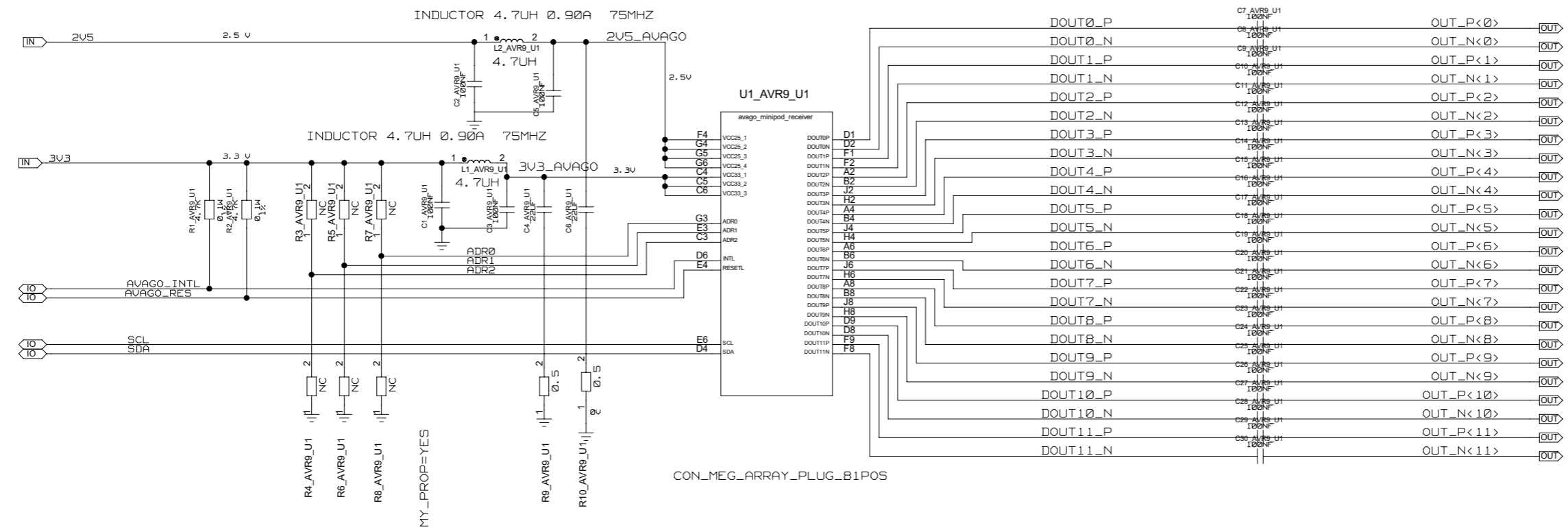
AVAGO RECEIVER



UNIVERSITY OF MAINZ		DRAWING TITLE	
		L1TOPO	
SIZE	REV.	DRAWING NO.	
C			
SCALE		SHEET	OF

REVISIONS				
ZONE	LTR	DESCRIPTION	DATE	APPR.

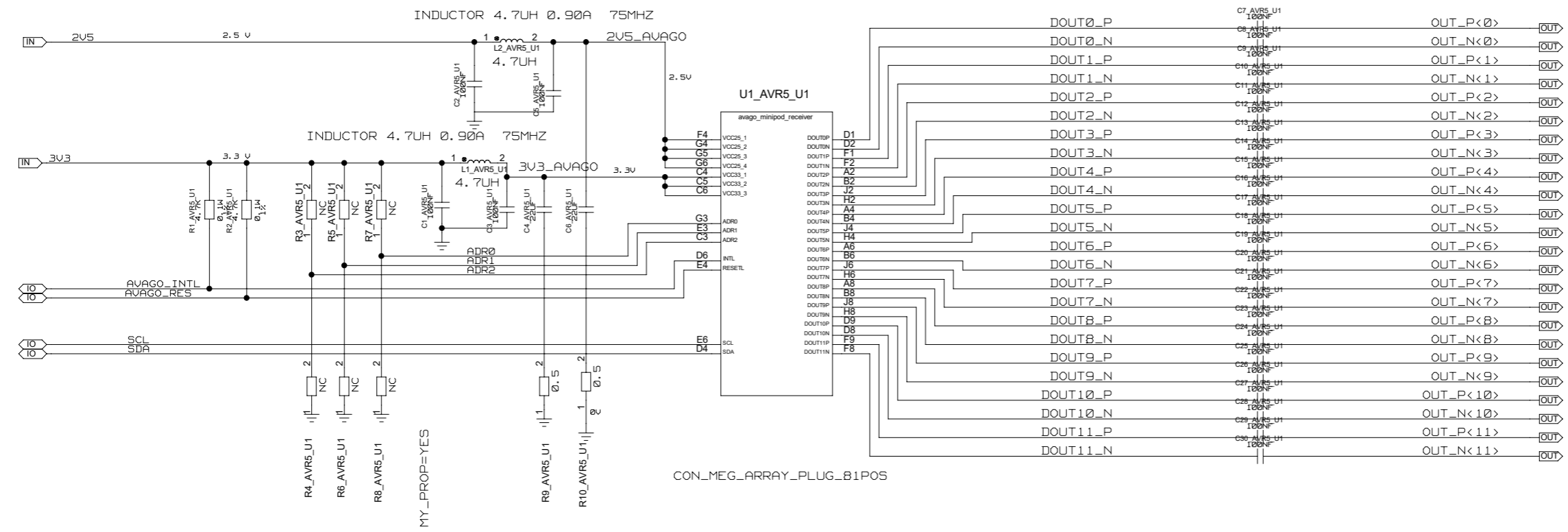
AVAGO RECEIVER



UNIVERSITY OF MAINZ	DRAWING TITLE		
	L1TOPO		
SIZE	REV.	DRAWING NO.	
C			
SCALE		SHEET	OF

REVISIONS				
ZONE	LTR	DESCRIPTION	DATE	APPR.

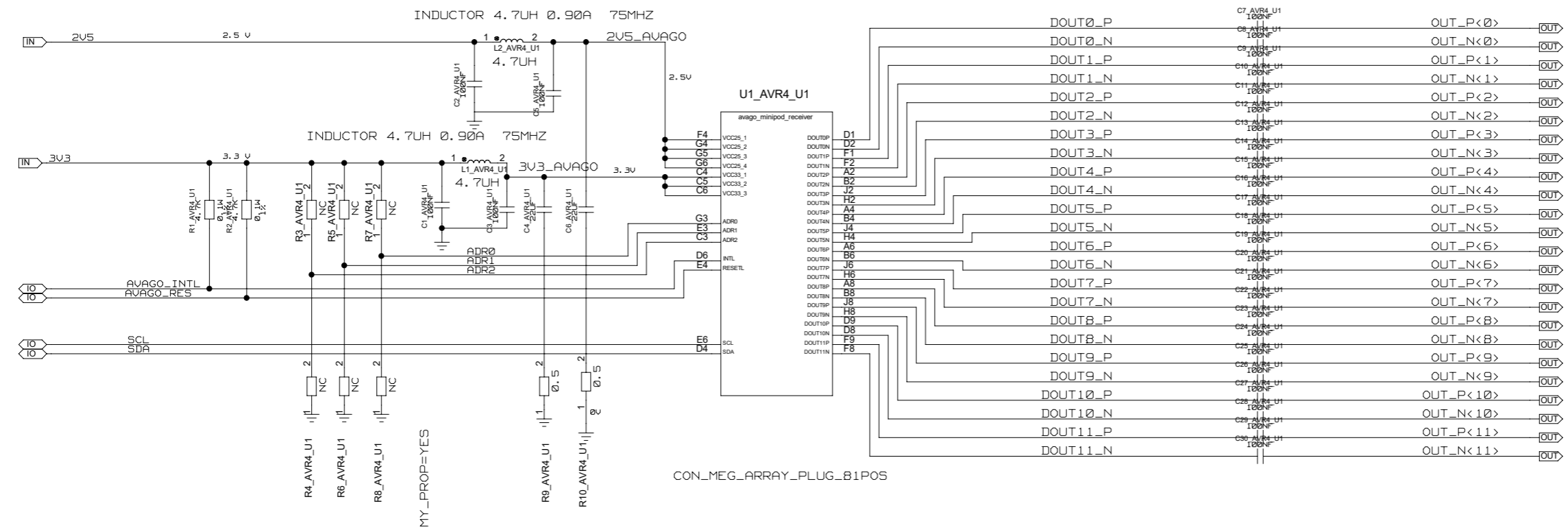
AVAGO RECEIVER



UNIVERSITY OF MAINZ		DRAWING TITLE	
		L1TOPO	
SIZE	REV.	DRAWING NO.	
C			
SCALE		SHEET	OF

REVISIONS				
ZONE	LTR	DESCRIPTION	DATE	APPR.

AVAGO RECEIVER



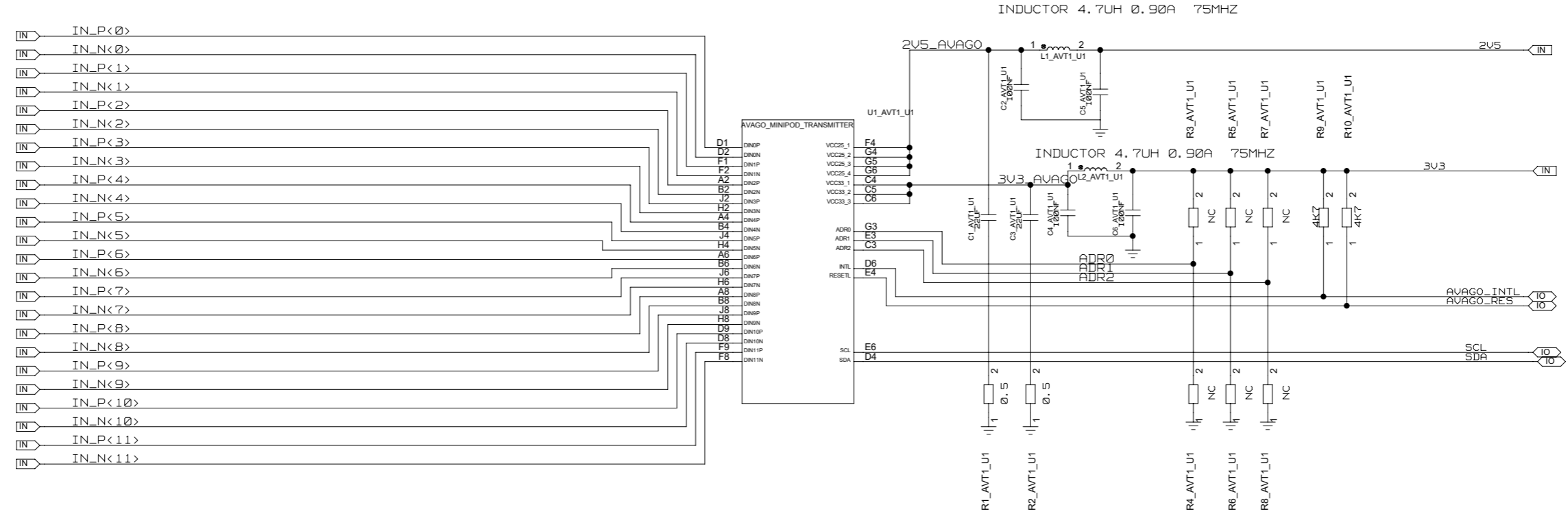
CON_MEG_ARRAY_PLUG_B1POS

MY_PROP=YES

UNIVERSITY OF MAINZ	DRAWING TITLE		
	L1TOPO		
SIZE	REV.	DRAWING NO.	
C			
SCALE		SHEET	OF

REVISIONS				
ZONE	LTR	DESCRIPTION	DATE	APPR.

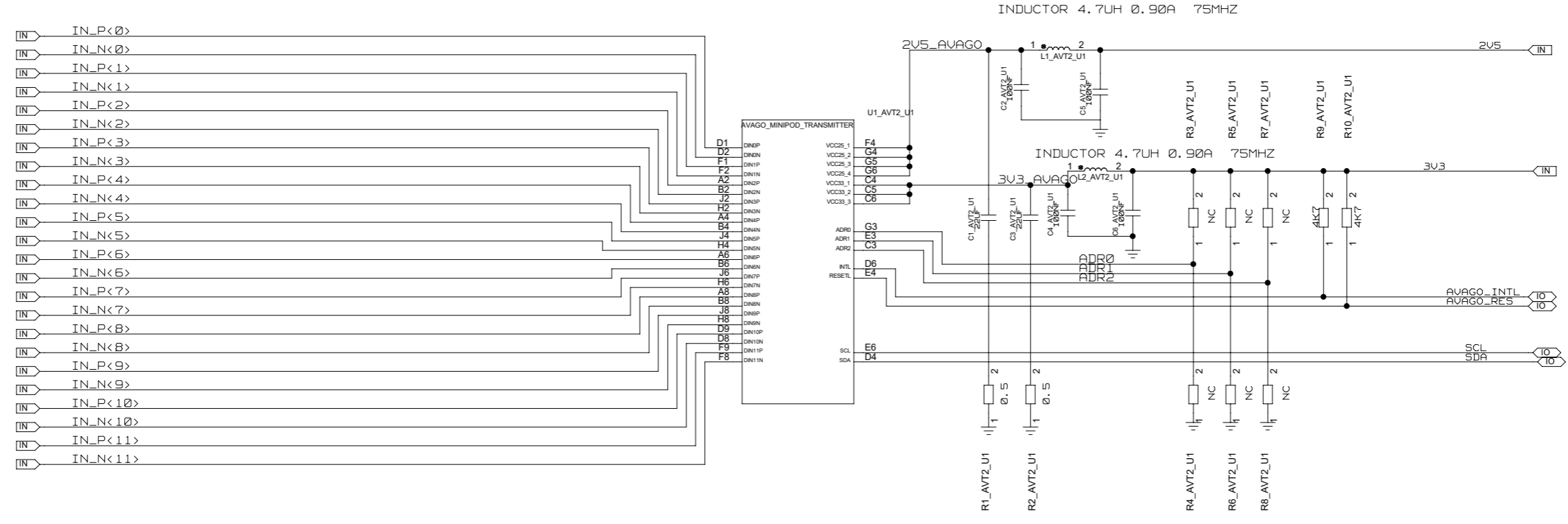
AVAGO TRANSMITTER



UNIVERSITY OF MAINZ		DRAWING TITLE	
		L1 TOPO	
SIZE	REV.	DRAWING NO.	
C			
SCALE			SHEET OF

REVISIONS				
ZONE	LTR	DESCRIPTION	DATE	APPR.

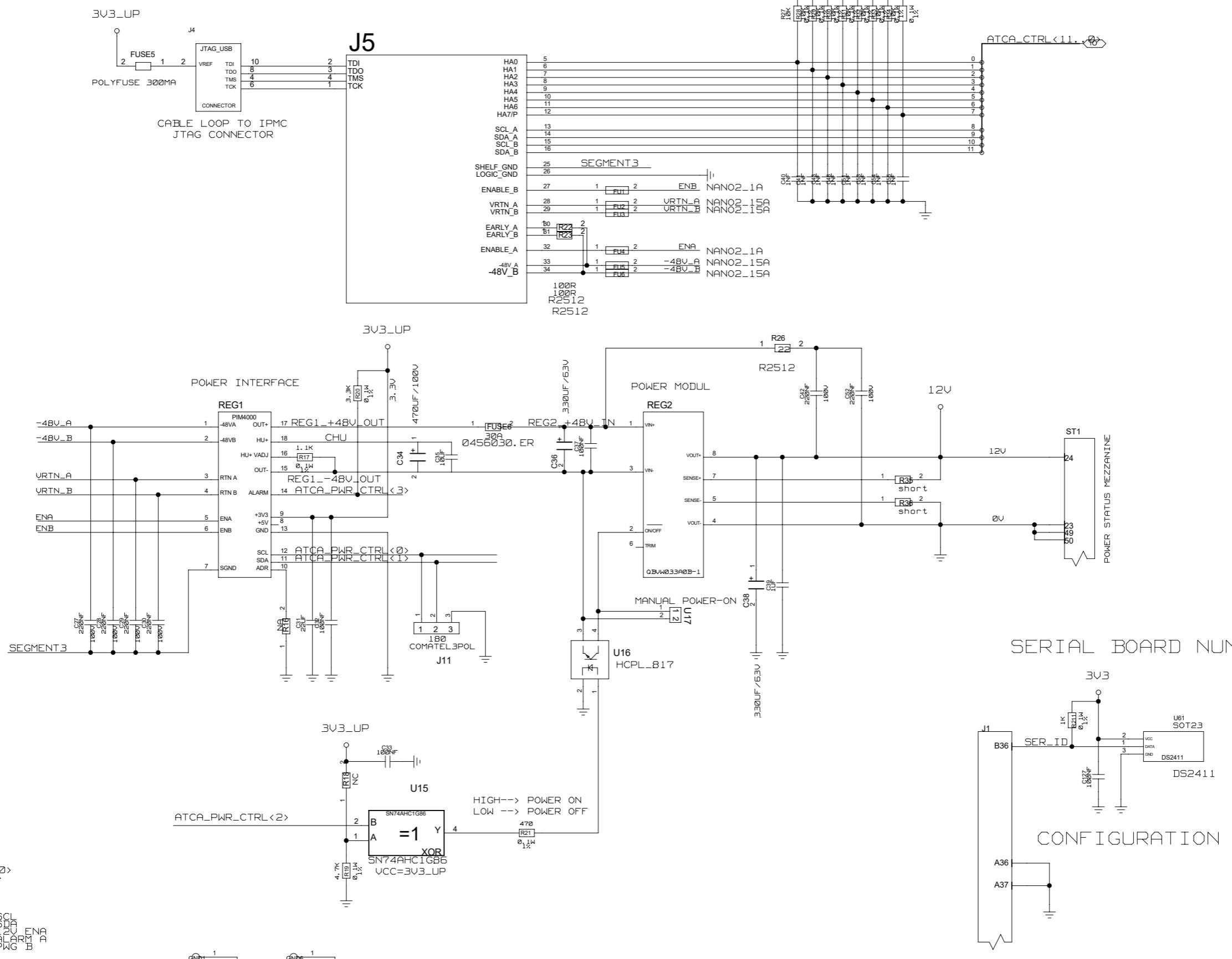
AVAGO TRANSMITTER



UNIVERSITY OF MAINZ		DRAWING TITLE	
		L1 TOPO	
SIZE	REV.	DRAWING NO.	
C			
SCALE		SHEET	OF

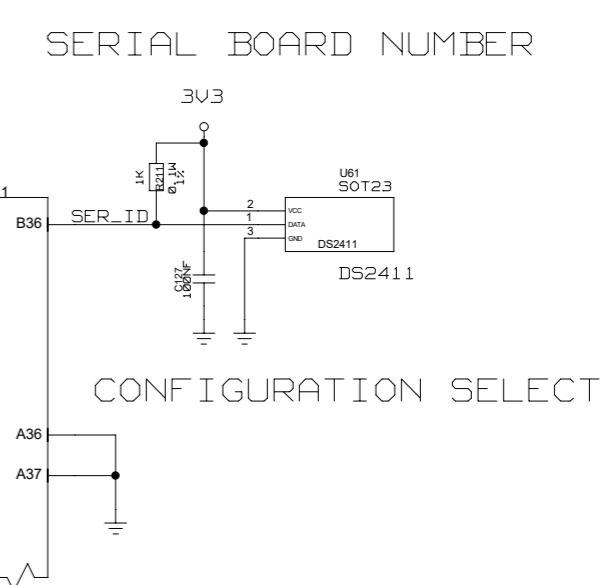
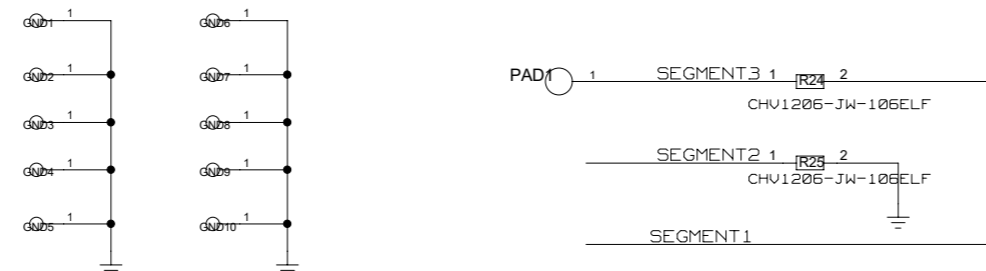
ATCA POWER IN & CTRL

REVISIONS				
ZONE	LTR	DESCRIPTION	DATE	APPR.



ATCA_PWR_CTRL<4..0>

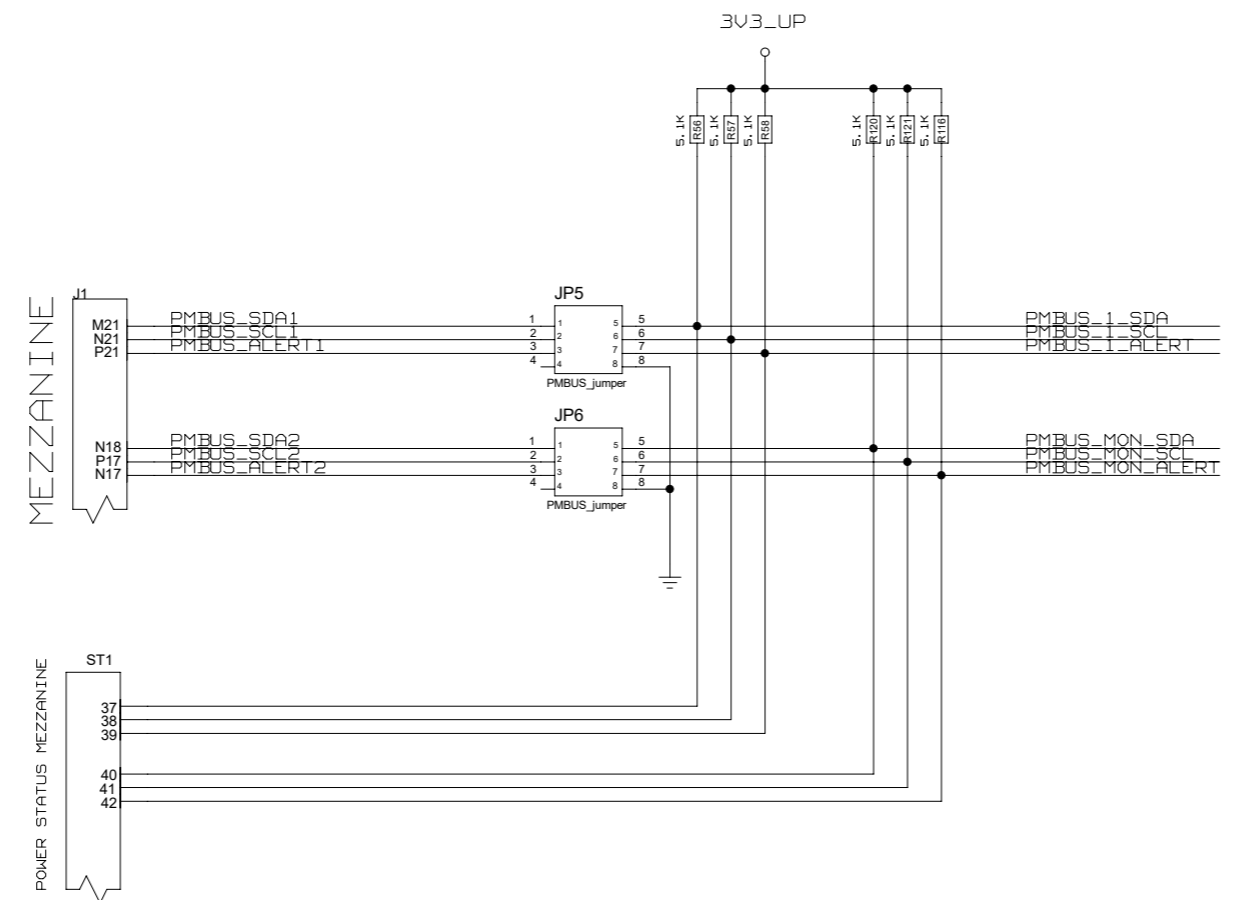
ATCA_PWR_CTRL<0> = SCL
 ATCA_PWR_CTRL<1> = I2C
 ATCA_PWR_CTRL<2> = PDLA
 ATCA_PWR_CTRL<3> = PDLA
 ATCA_PWR_CTRL<4> = PDLA



NAME	DATE	SIGN	DRAWING TITLE
CHECKED	J. V. DE SOUZA		L1 TOPO
CHECKED	U. SCHAEFER		
CHECKED	S. RAVE		
DRAWN	BAUSS	03. 11. 2015	
BLOCK TITLE			DRAWING NO.
POWERSUPPLY			
UNIVERSITY OF MAINZ			
SIZE	REV.	DRAWING NO.	
C			
SCALE			SHEET OF

REVISIONS				
ZONE	LTR	DESCRIPTION	DATE	APPR.

PMBUS CONNECTORS

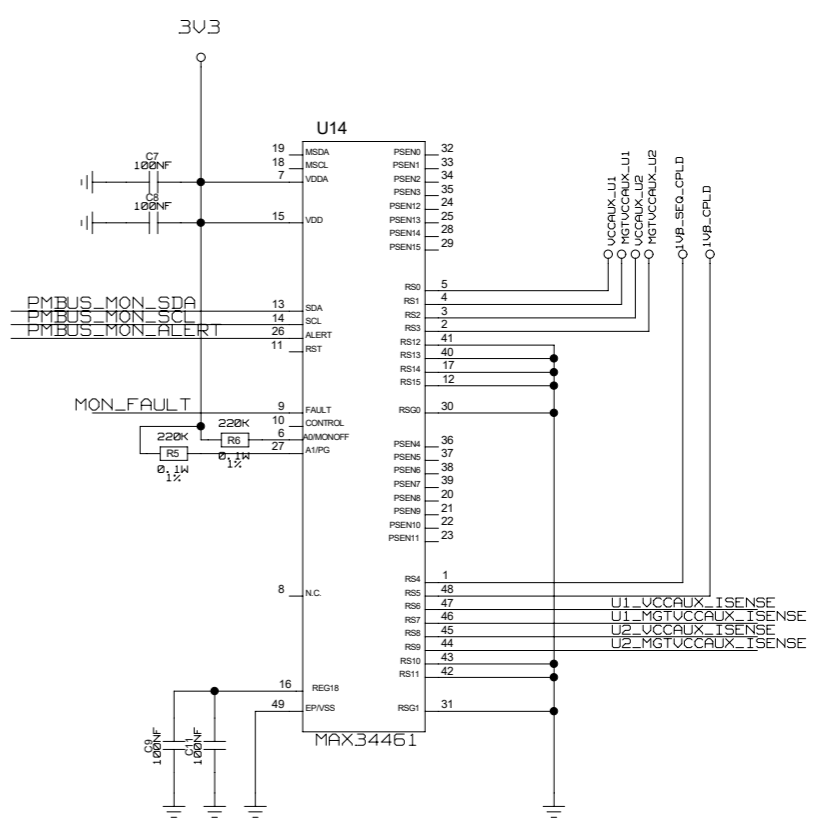
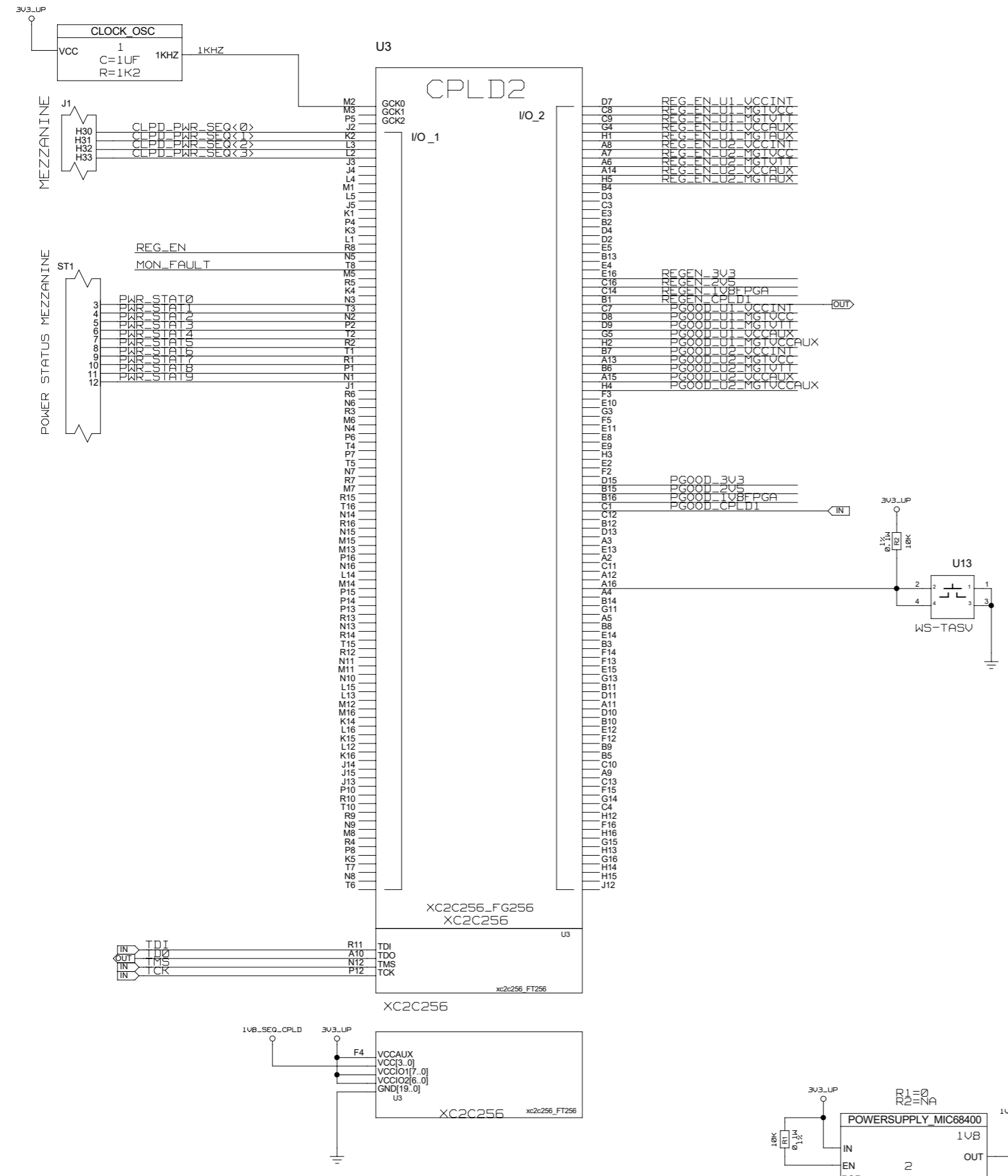


CHECKED	J. V. DE SOUZA	DATE	SIGN	DRAWING TITLE <h1>L1TOPO</h1>
CHECKED	U. SCHAEFER			
CHECKED	S. RAVE			
DRAWN	BAUSS			
BLOCK TITLE <h2>POWERSUPPLY</h2>				SIZE C
UNIVERSITY OF MAINZ				REV.
				DRAWING NO.
SCALE				SHEET OF

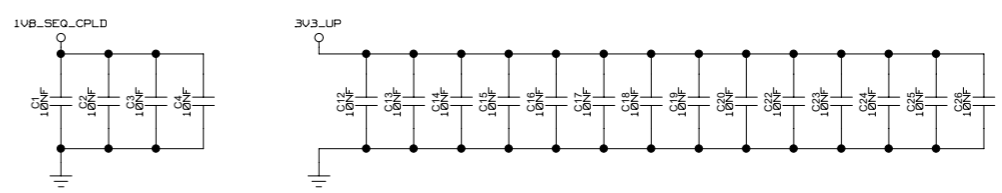
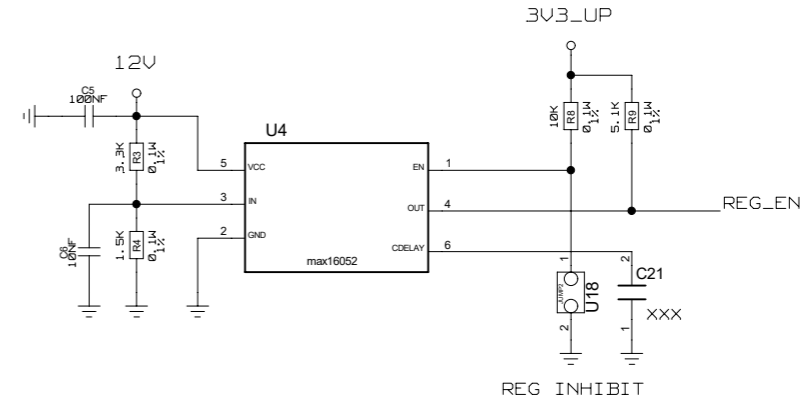
REVISIONS				
ZONE	LTR	DESCRIPTION	DATE	APPR.

POWERSEQUENCING

VOLTAGE MONITORING



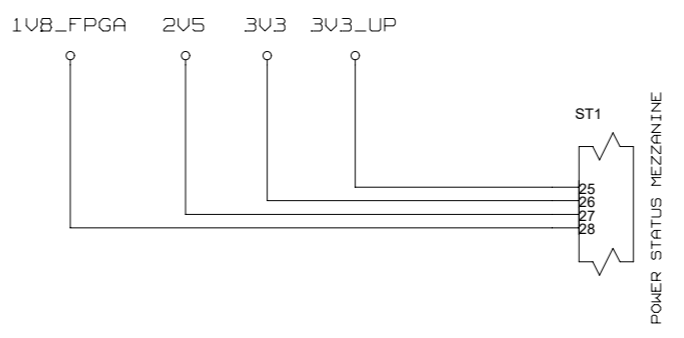
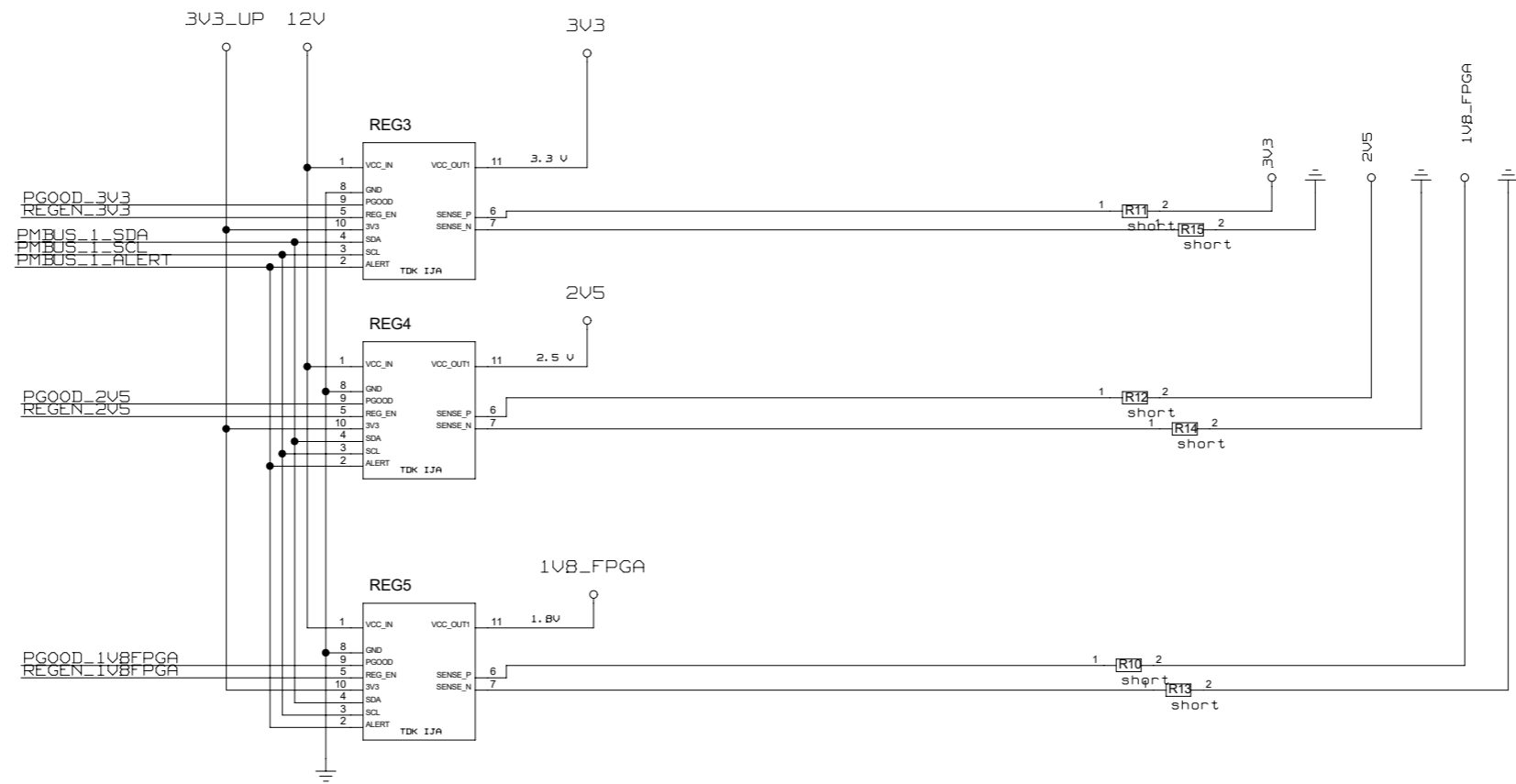
12V SUPERVISORY



NAME	DATE	SIGN	DRAWING TITLE
CHECKED	J. V. DE SOUZA		L1 TOPO
CHECKED	U. SCHAEFER		
CHECKED	S. RAVE		
DRAWN	BAUSS		
BLOCK TITLE			POWER SUPPLY
UNIVERSITY OF MAINZ		SIZE	DRAWING NO.
		REV.	
		SCALE	SHEET OF

REVISIONS				
ZONE	LTR	DESCRIPTION	DATE	APPR.

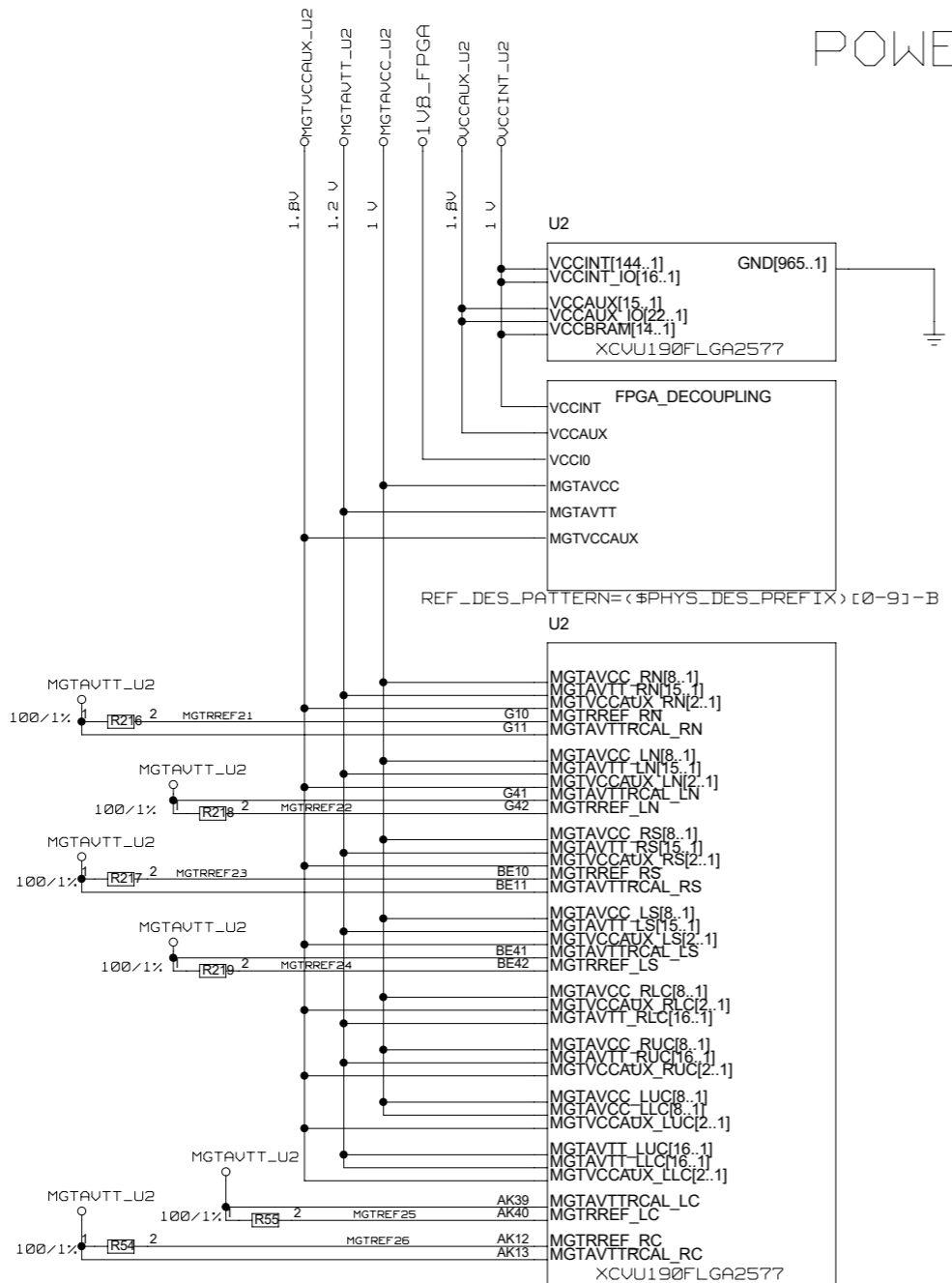
BOARDLEVEL 1V8, 2V5, 3V3



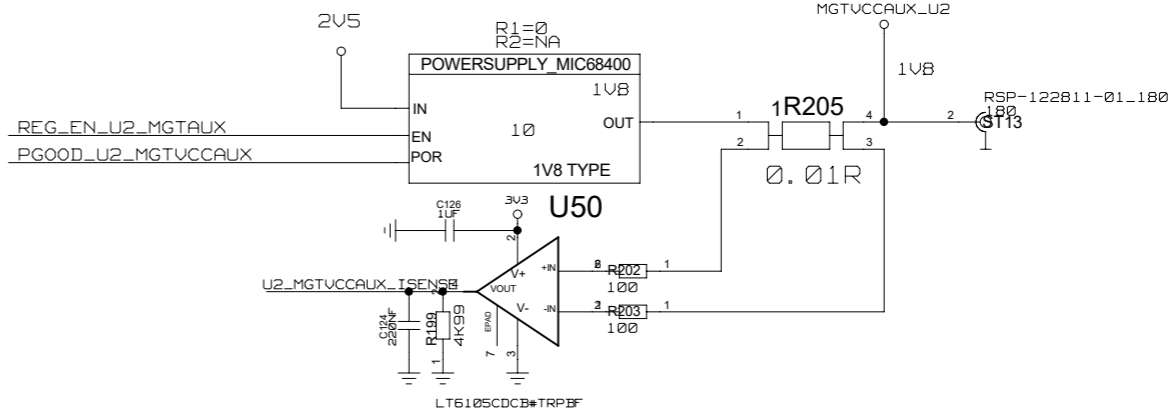
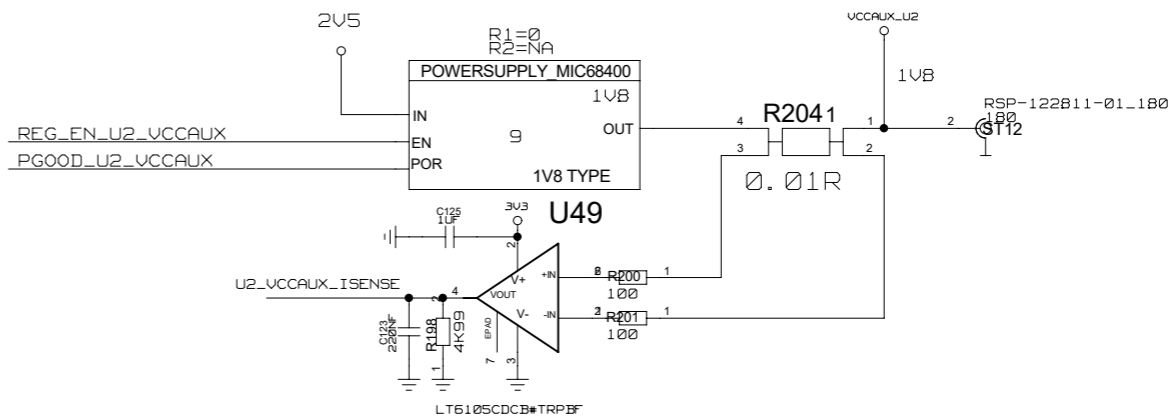
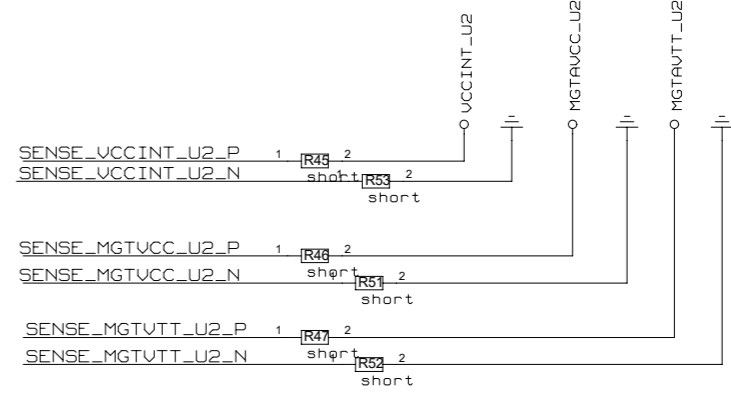
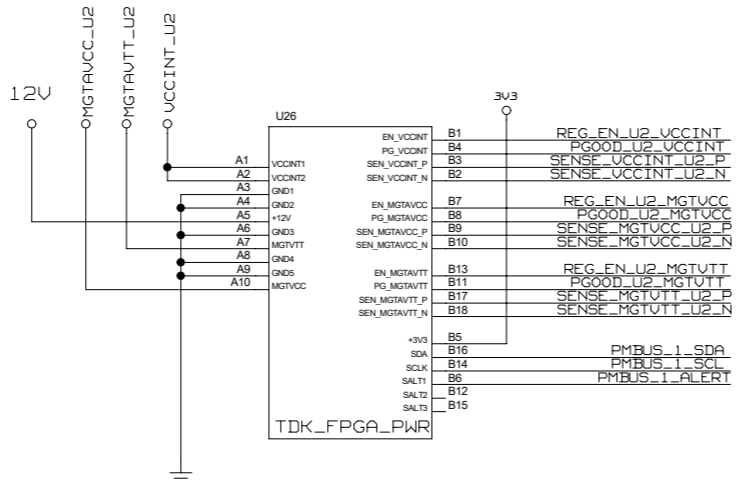
CHECKED	NAME	DATE	SIGN	DRAWING TITLE <h1>L1 TOPO</h1>
CHECKED	J. V. DE SOUZA			
CHECKED	U. SCHAEFER			
CHECKED	S. RAVE			
DRAWN	BAUSS			
BLOCK TITLE <h2>POWERSUPPLY</h2>				
UNIVERSITY OF MAINZ				
SIZE C	REV.	DRAWING NO.		
SCALE			SHEET	OF

REVISIONS				
ZONE	LTR	DESCRIPTION	DATE	APPR.

POWERSUPPLIES U2



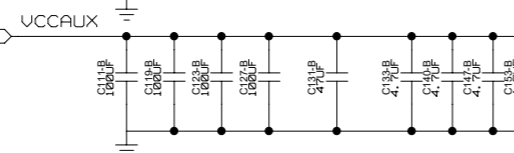
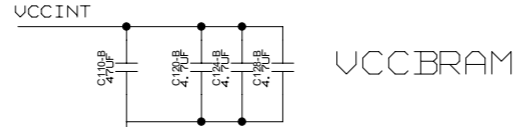
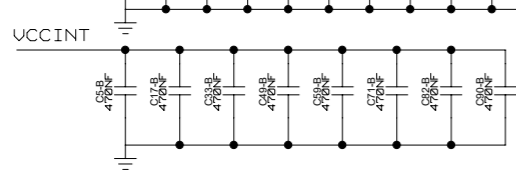
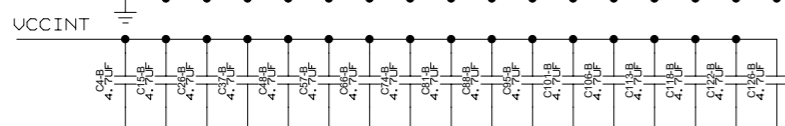
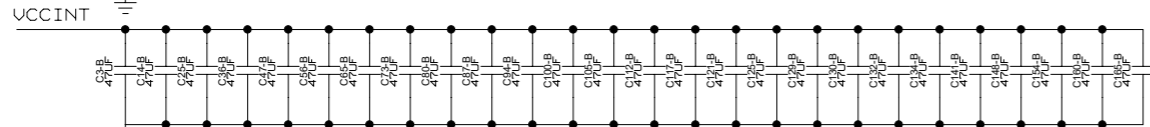
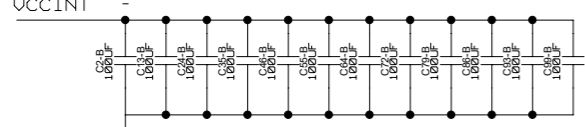
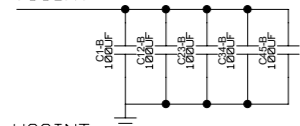
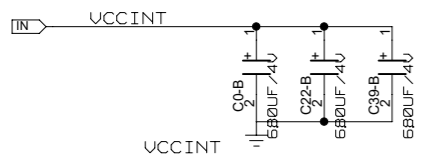
TRACE LENGTH FROM RESISTOR PINS
TO PIN SAME LENGTH
UG576 SHEET 297



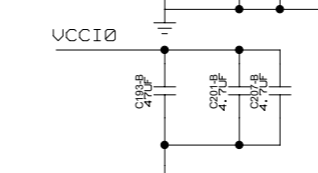
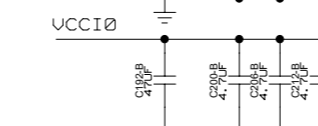
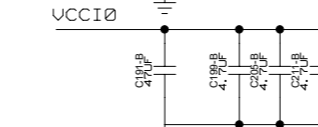
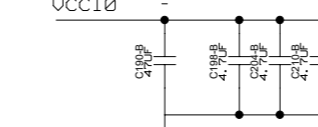
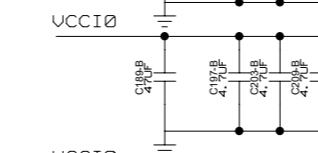
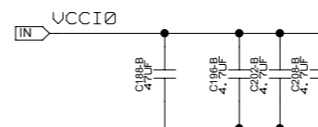
NAME	DATE	SIGN	DRAWING TITLE
CHECKED J. V. DE SOUZA			L1 TOPO
CHECKED U. SCHAEFER			
CHECKED S. RAVE			
DRAWN BAUSS			
BLOCK TITLE			
UNIVERSITY OF MAINZ			SIZE C
			REV.
			DRAWING NO.
			SHEET OF

VCCINT VCCAUX VCCIO DECOUPLING

REVISIONS				
ZONE	LTR	DESCRIPTION	DATE	APPR.



VCCAUX/_IO



BANK61

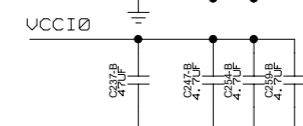
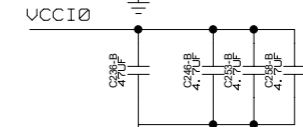
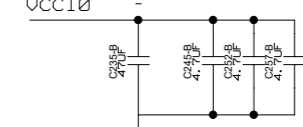
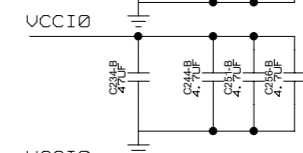
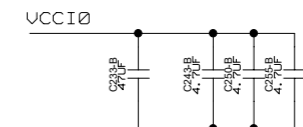
BANK62

BANK63

BANK65

BANK66

BANK0



BANK67

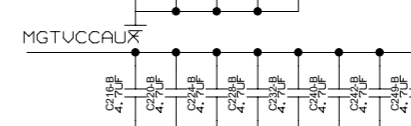
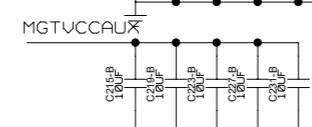
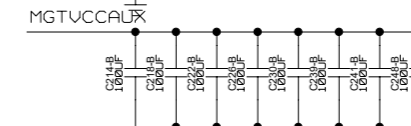
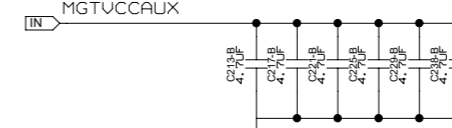
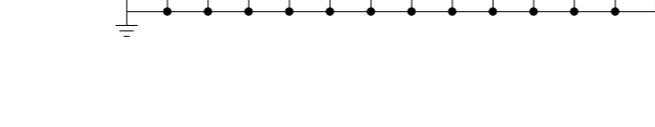
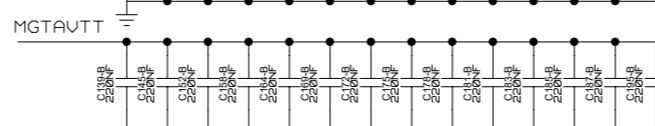
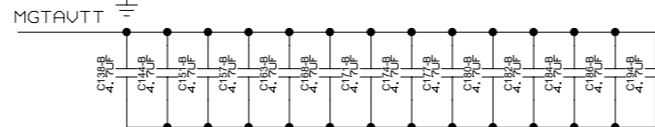
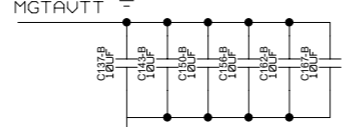
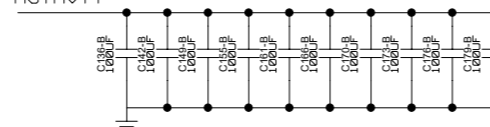
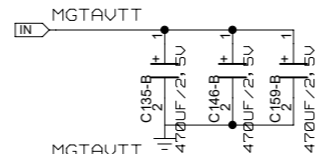
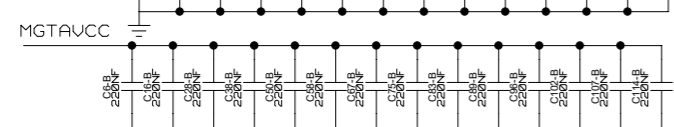
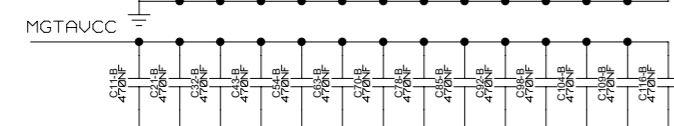
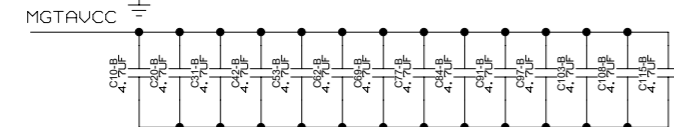
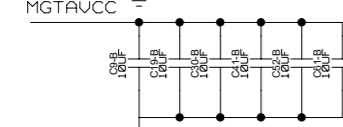
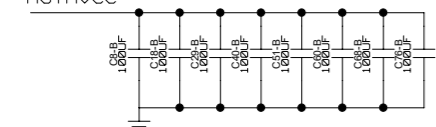
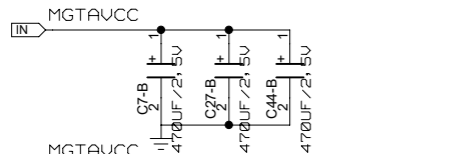
BANK68

BANK70

BANK71

BANK72

MGT DECOUPLING



NAME	DATE	SIGN
CHECKED J. V. DE SOUZA		
CHECKED U. SCHAEFER		
CHECKED S. RAVE		
DRAWN BAUSS		

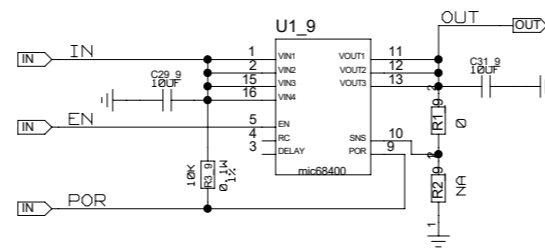
DRAWING TITLE		
L1 TOPO		
SIZE	REV.	DRAWING NO.
SCALE		

UNIVERSITY OF MAINZ

SHEET	OF
-------	----

REVISIONS				
ZONE	LTR	DESCRIPTION	DATE	APPR.

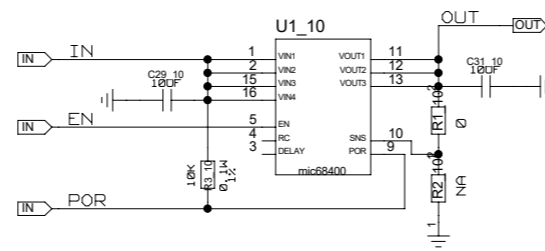
POWERSUPPLY_MIC68400



CHECKED	NAME	DATE	SIGN	DRAWING TITLE	
CHECKED	J. V. DE SOUZA			L1 TOPO	
CHECKED	U. SCHAEFER				
CHECKED	S. RAVE				
DRAWN	BAUSS				
BLOCK TITLE				SIZE	DRAWING NO.
POWERSUPPLY_MIC68400				C	REV.
UNIVERSITY OF MAINZ				SCALE	SHEET OF

REVISIONS				
ZONE	LTR	DESCRIPTION	DATE	APPR.

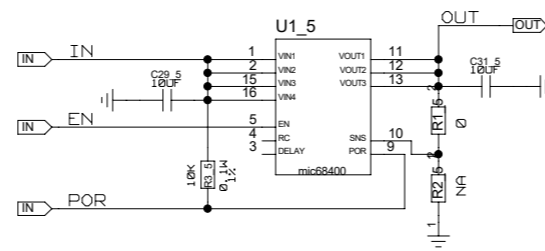
POWERSUPPLY_MIC68400



CHECKED	NAME	DATE	SIGN	DRAWING TITLE	
CHECKED	J. V. DE SOUZA			L1 TOPO	
CHECKED	U. SCHAEFER				
CHECKED	S. RAVE				
DRAWN	BAUSS				
BLOCK TITLE				DRAWING NO.	
POWERSUPPLY_MIC68400				DRAWING NO.	
UNIVERSITY OF MAINZ				SIZE	REV.
				C	
SCALE				SHEET	OF

REVISIONS				
ZONE	LTR	DESCRIPTION	DATE	APPR.

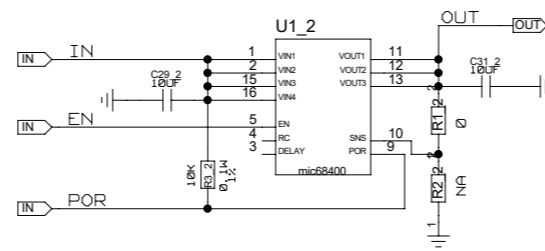
POWERSUPPLY_MIC68400



CHECKED	NAME	DATE	SIGN	DRAWING TITLE	
CHECKED	J. V. DE SOUZA			L1 TOPO	
CHECKED	U. SCHAEFER				
CHECKED	S. RAVE				
DRAWN	BAUSS				
BLOCK TITLE				SIZE	DRAWING NO.
POWERSUPPLY_MIC68400				C	REV.
UNIVERSITY OF MAINZ				SCALE	SHEET OF

REVISIONS				
ZONE	LTR	DESCRIPTION	DATE	APPR.

POWERSUPPLY_MIC68400

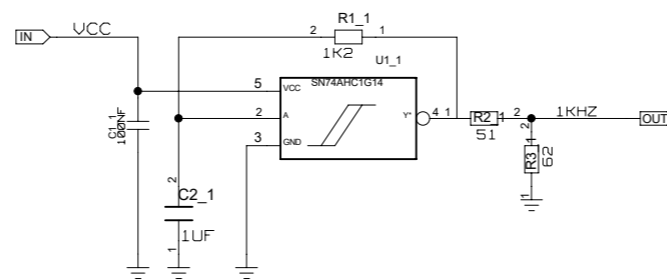


CHECKED	NAME	DATE	SIGN	DRAWING TITLE L1 TOPO	
CHECKED	J. V. DE SOUZA				
CHECKED	U. SCHAEFER				
CHECKED	S. RAVE				
DRAWN	BAUSS				
BLOCK TITLE POWERSUPPLY_MIC68400					
UNIVERSITY OF MAINZ				SIZE C	DRAWING NO.
				SCALE	SHEET OF

REVISIONS

ZONE	LTR	DESCRIPTION	DATE	APPR.

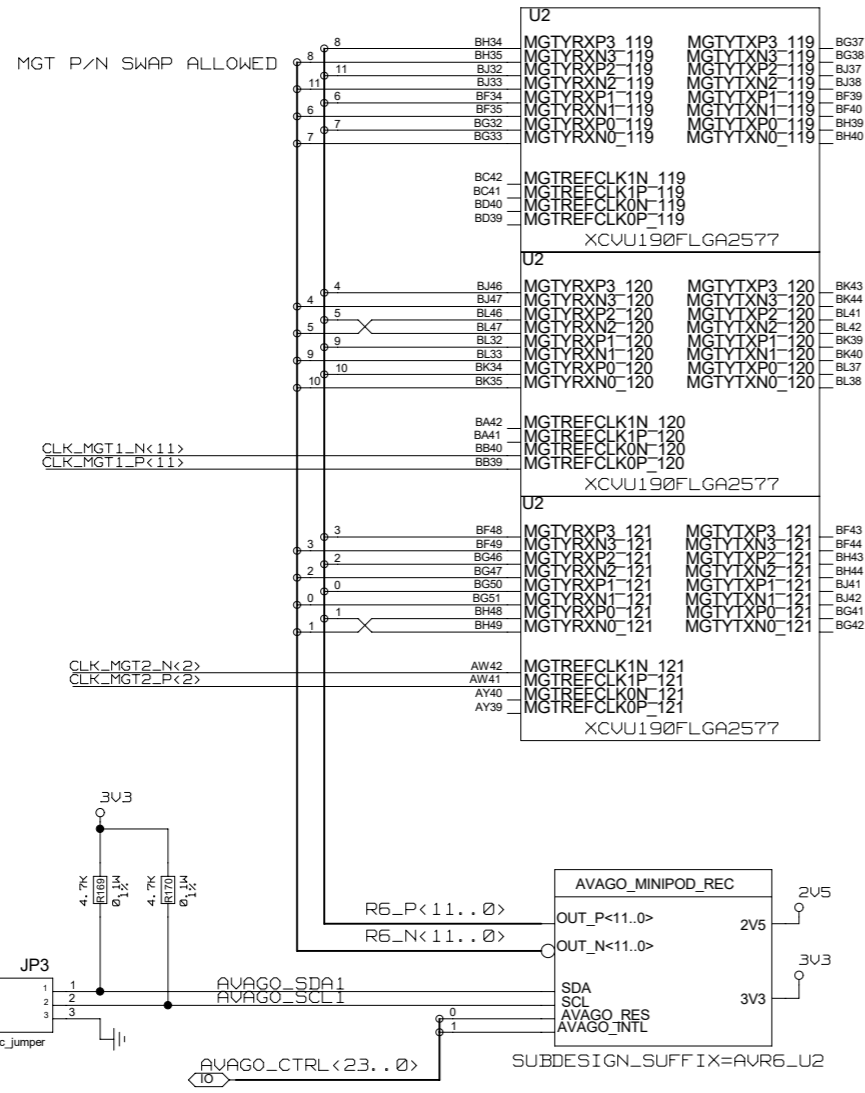
CLOCK_OSC



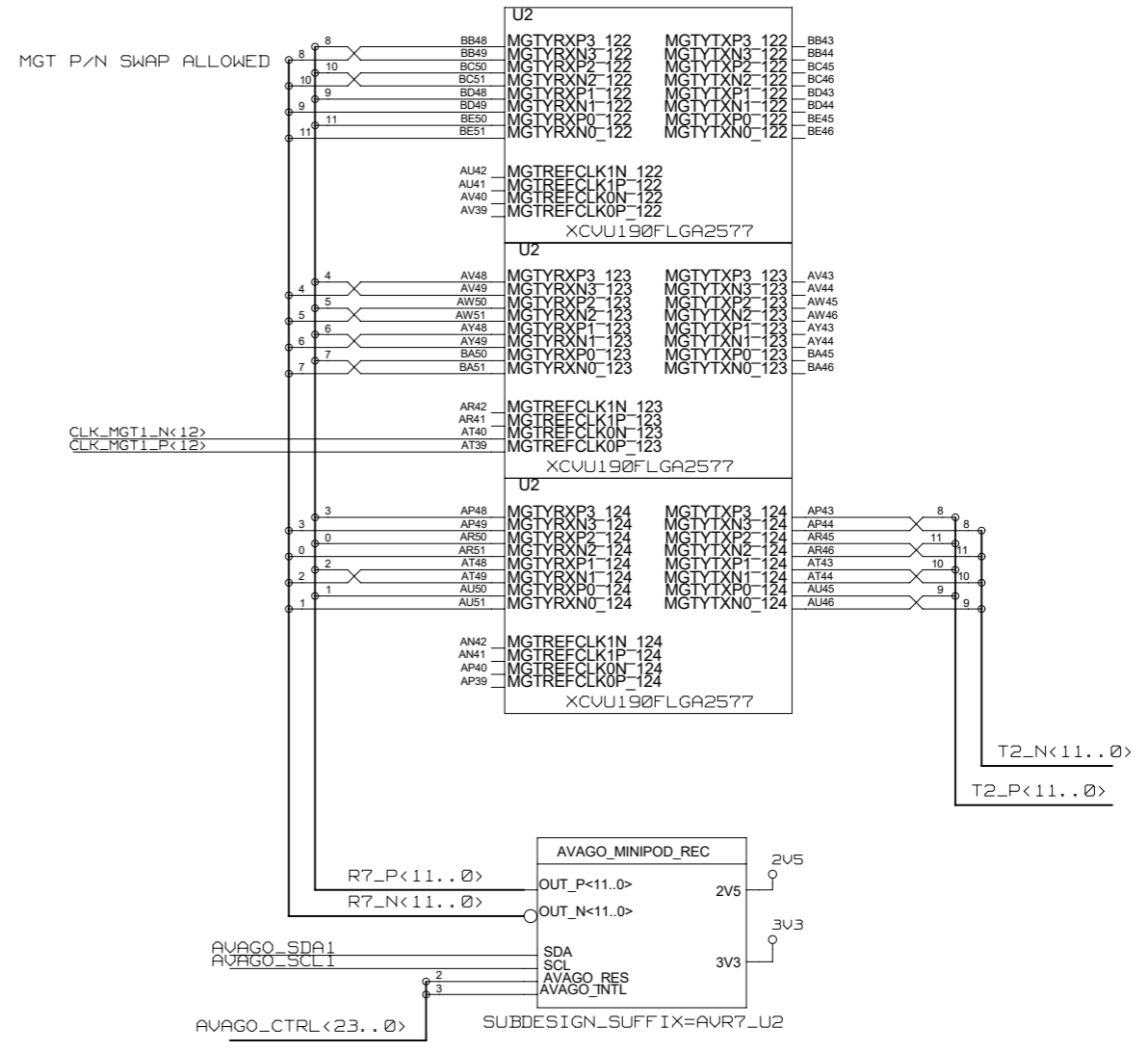
CHECKED	NAME	DATE	SIGN	DRAWING TITLE	
CHECKED	J. V. DE SOUZA			L1TOPO	
CHECKED	U. SCHAEFER				
CHECKED	S. RAVE				
DRAWN	BAUSS				
BLOCK TITLE				SIZE	DRAWING NO.
UNIVERSITY OF MAINZ				C	REV.
				SCALE	SHEET OF

HIGH SPEED OPTICAL LINKS

REVISIONS				
ZONE	LTR	DESCRIPTION	DATE	APPR.



AVR6 I2C ADDRESS:
 R3=NA R4=4K7
 R5=NA R6=4K7
 R7=4K7 R8=NA



AVR7 I2C ADDRESS:
 R3=NA R4=4K7
 R5=4K7 R6=NA
 R7=NA R8=4K7

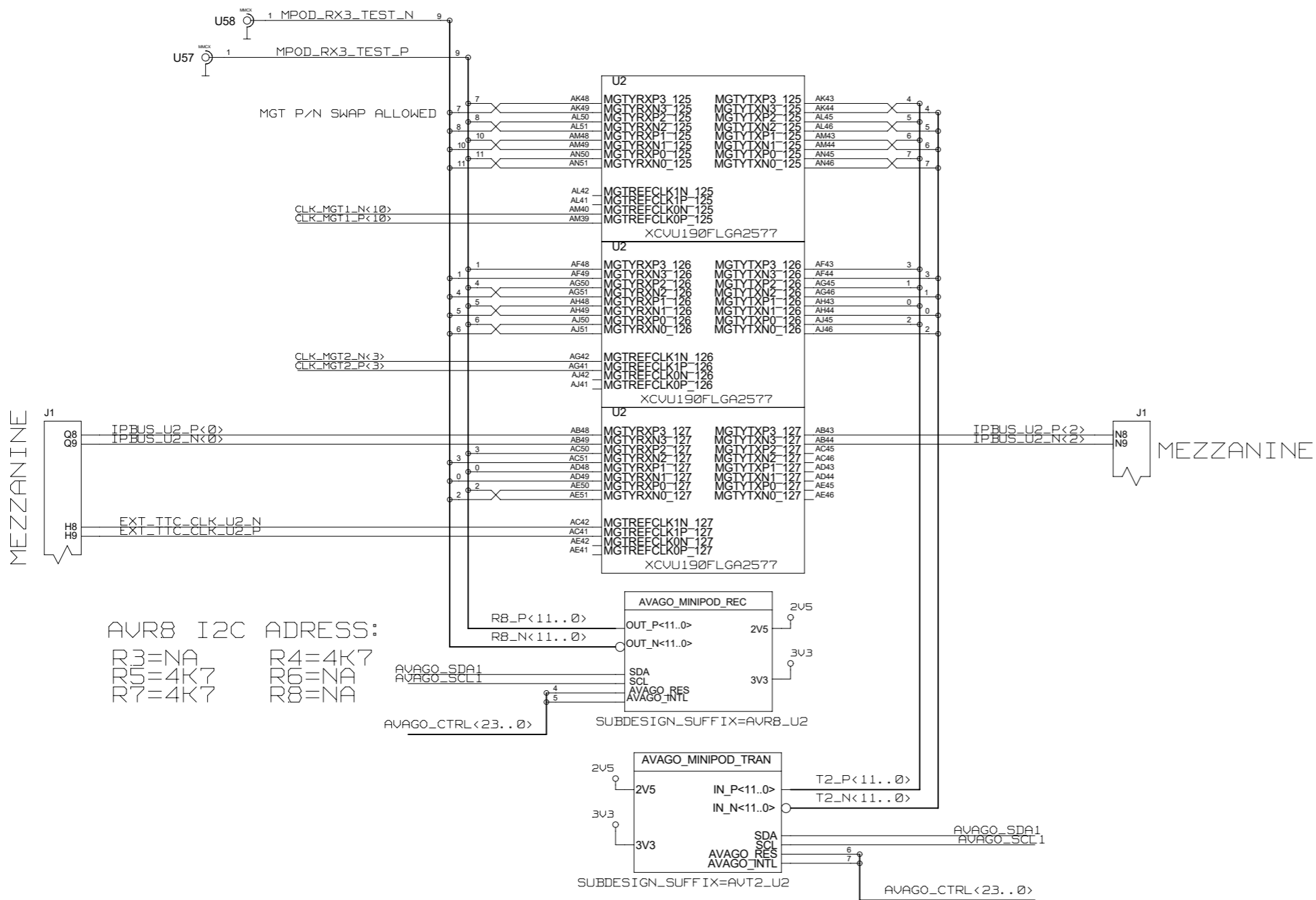
IN CLK_MGT1_P<12..1>
 IN CLK_MGT1_N<12..1>
 IN CLK_MGT2_P<6..1>
 IN CLK_MGT2_N<6..1>

BANK
119
120
121
122
123
124

NAME	DATE	SIGN	DRAWING TITLE
CHECKED J. V. DE SOUZA			L1 TOPO
CHECKED U. SCHAEFER			
CHECKED S. RAVE			
DRAWN BAUSS	07.08.2015		
BLOCK TITLE			UNIVERSITY OF MAINZ
SIZE			DRAWING NO.
SCALE			SHEET 1 OF 6

REVISIONS				
ZONE	LTR	DESCRIPTION	DATE	APPR.

HIGH SPEED OPTICAL LINKS HIGH SPEED IPBUS



AVR8 I2C ADDRESS:
R3=NA R4=4K7
R5=4K7 R6=NA
R7=4K7 R8=NA

AVT2 I2C ADDRESS:
R3=NA R4=4K7
R5=NA R6=4K7
R7=NA R8=4K7

BANK
125
126
127

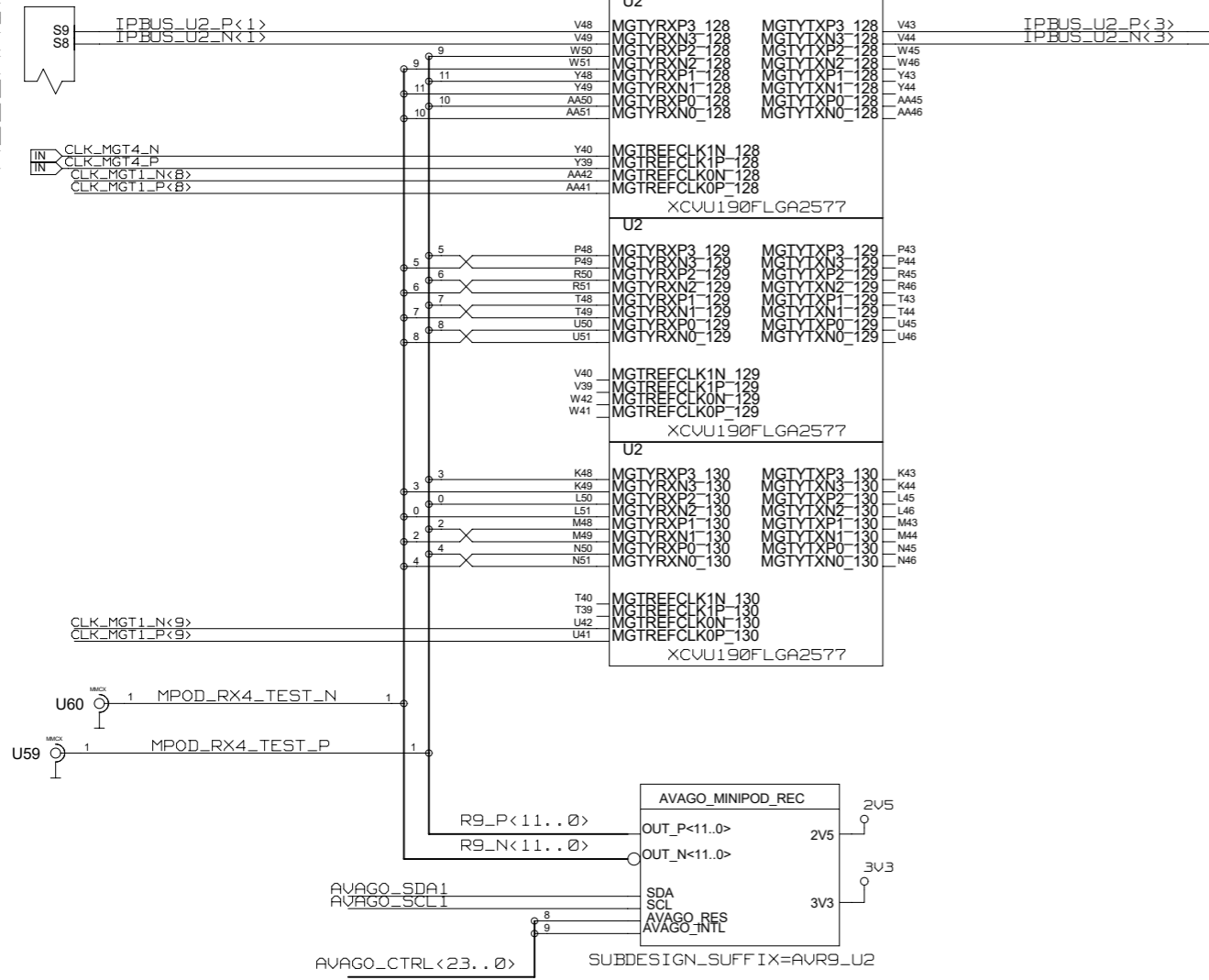
NAME	DATE	SIGN	DRAWING TITLE	
CHECKED	J. V. DE SOUZA		L1 TOPO	
CHECKED	U. SCHAEFER			
CHECKED	S. RAVE			
DRAWN	BAUSS	07.08.2015		
BLOCK TITLE			DRAWING NO.	
UNIVERSITY OF MAINZ			SCALE	SHEET 2 OF 6

REVISIONS				
ZONE	LTR	DESCRIPTION	DATE	APPR.

HIGH SPEED OPTICAL LINKS

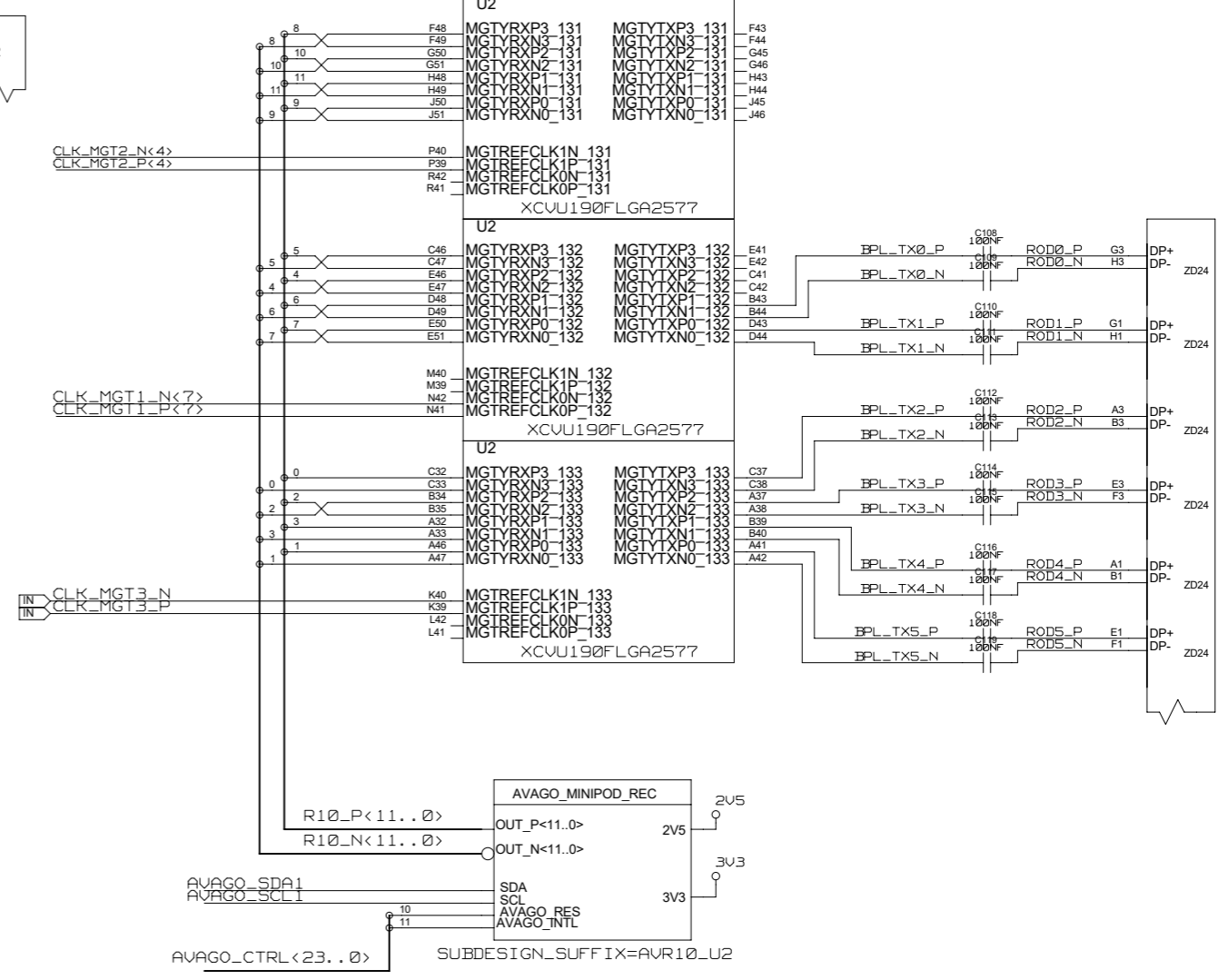
MEZZANINE

MGT P/N SWAP ALLOWED



AVR9 I2C ADDRESS:
R3=4K7 R4=NA
R5=NA R6=4K7
R7=NA R8=4K7

MGT P/N SWAP ALLOWED



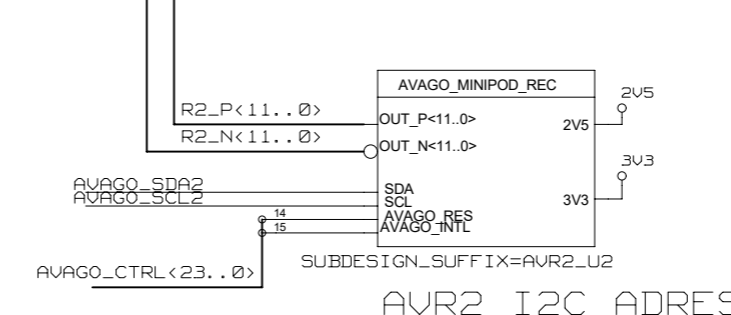
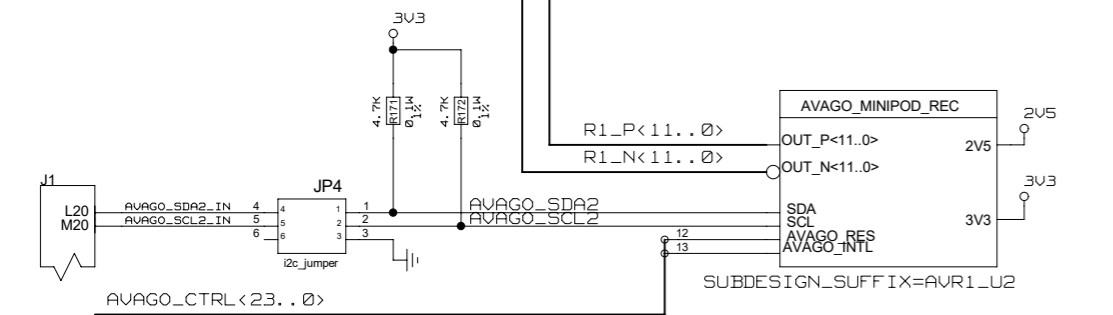
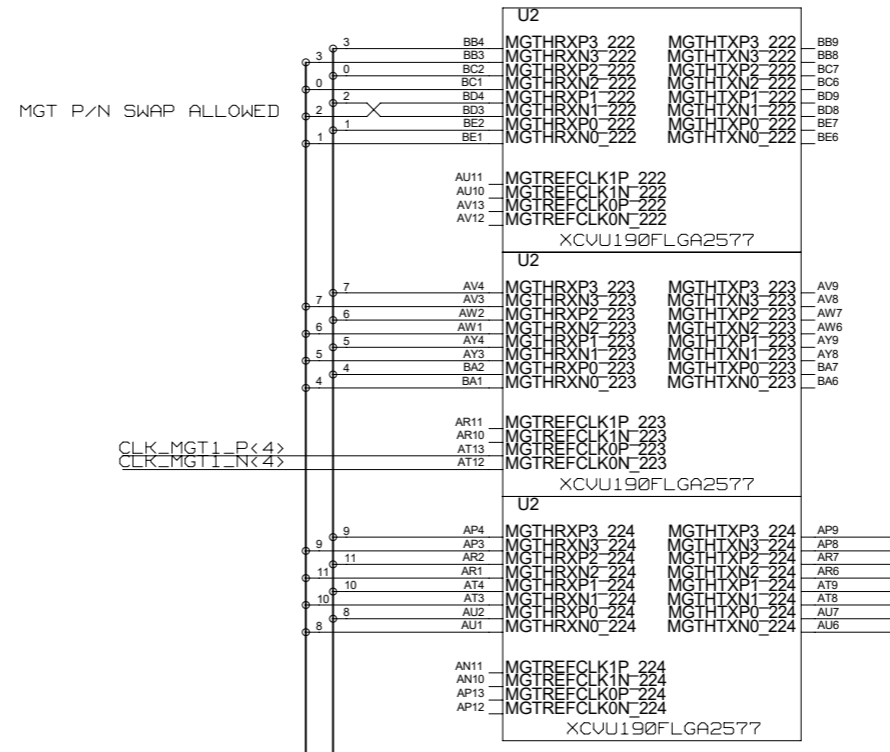
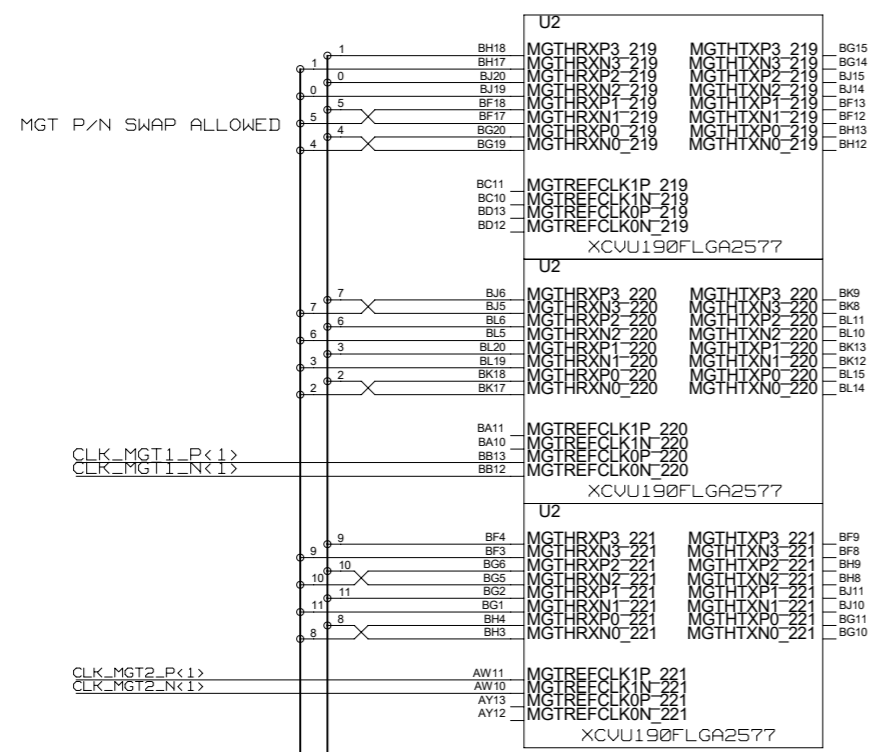
AVR10 I2C ADDRESS:
R3=4K7 R4=NA
R5=NA R6=4K7
R7=4K7 R8=NA

BANK
128
129
130
131
132
133
134
135

NAME	DATE	SIGN	DRAWING TITLE
CHECKED	J. V. DE SOUZA		L1 TOPO
CHECKED	U. SCHAEFER		
CHECKED	S. RAVE		
DRAWN	BAUSS	07.08.2015	
BLOCK TITLE			UNIVERSITY OF MAINZ
SIZE	REV.	DRAWING NO.	
C			
SCALE		SHEET 3 OF 6	

REVISIONS				
ZONE	LTR	DESCRIPTION	DATE	APPR.

HIGH SPEED OPTICAL LINKS



AVAGO_CTRL <11..0>
 AVAGO_CTRL 0, 2, 4, 6, 8, 10 = AVAGO_RES_XX
 AVAGO_CTRL 1, 3, 5, 7, 9, 11 = AVAGO_INTL_XX

AVR1 I2C ADDRESS:
 R3=NA R4=4K7
 R5=NA R6=4K7
 R7=4K7 R8=NA

AVR2 I2C ADDRESS:
 R3=NA R4=4K7
 R5=4K7 R6=NA
 R7=NA R8=4K7

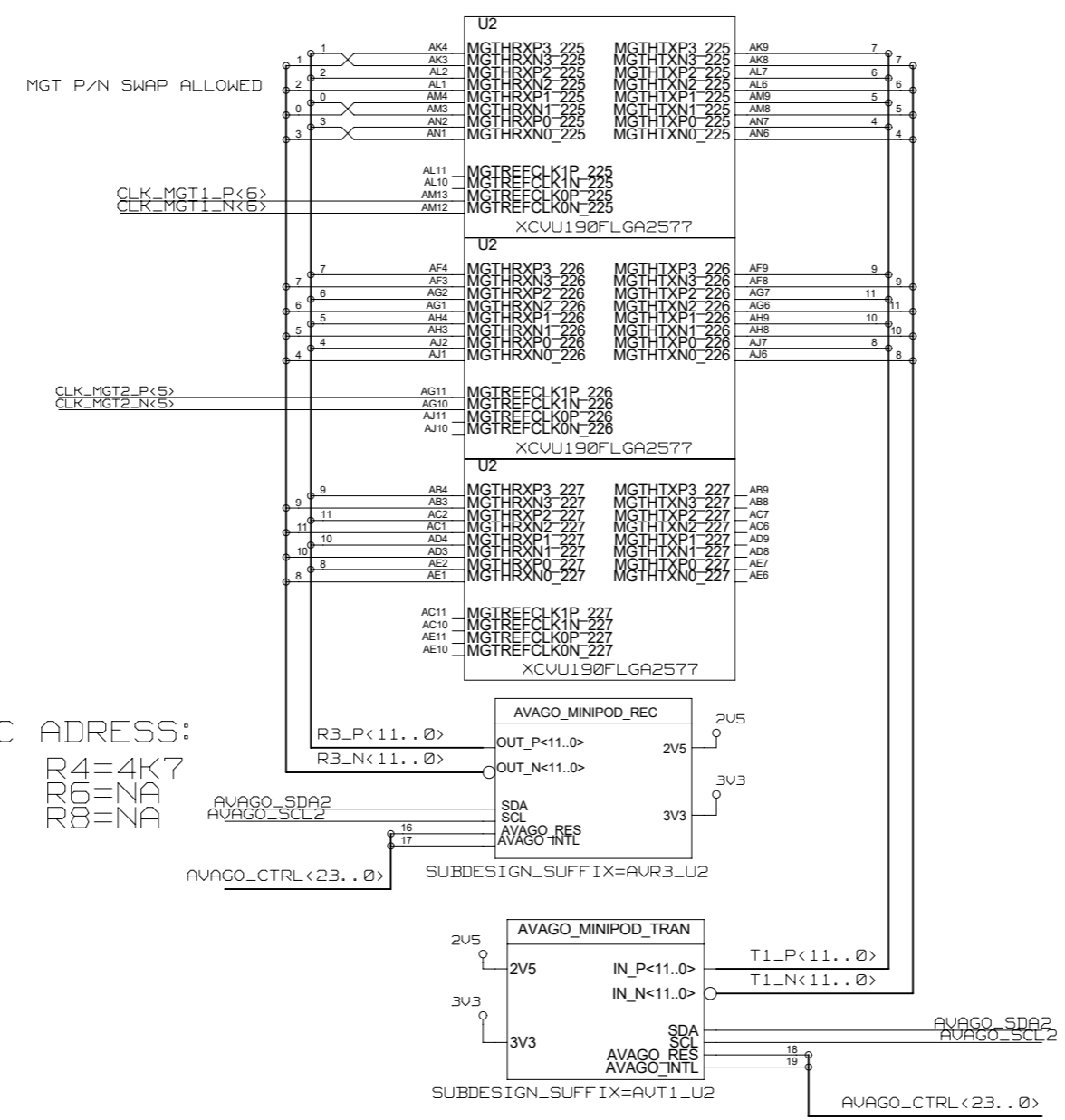
T1_N <11..0>
 T1_P <11..0>

BANK
210
209
208
207
206
205
204
203
202
201
200
199
198
197
196
195
194

NAME	DATE	SIGN	DRAWING TITLE
CHECKED J. V. DE SOUZA			L1 TOPO
CHECKED U. SCHAEFER			
CHECKED S. RAVE			
DRAWN BAUSS	07.08.2015		
BLOCK TITLE			UNIVERSITY OF MAINZ
SIZE C	REV.	DRAWING NO.	
SCALE		SHEET 4 OF 6	

REVISIONS				
ZONE	LTR	DESCRIPTION	DATE	APPR.

HIGH SPEED OPTICAL LINKS



AVR3 I2C ADDRESS:
R3=NA R4=4K7
R5=4K7 R6=NA
R7=4K7 R8=NA

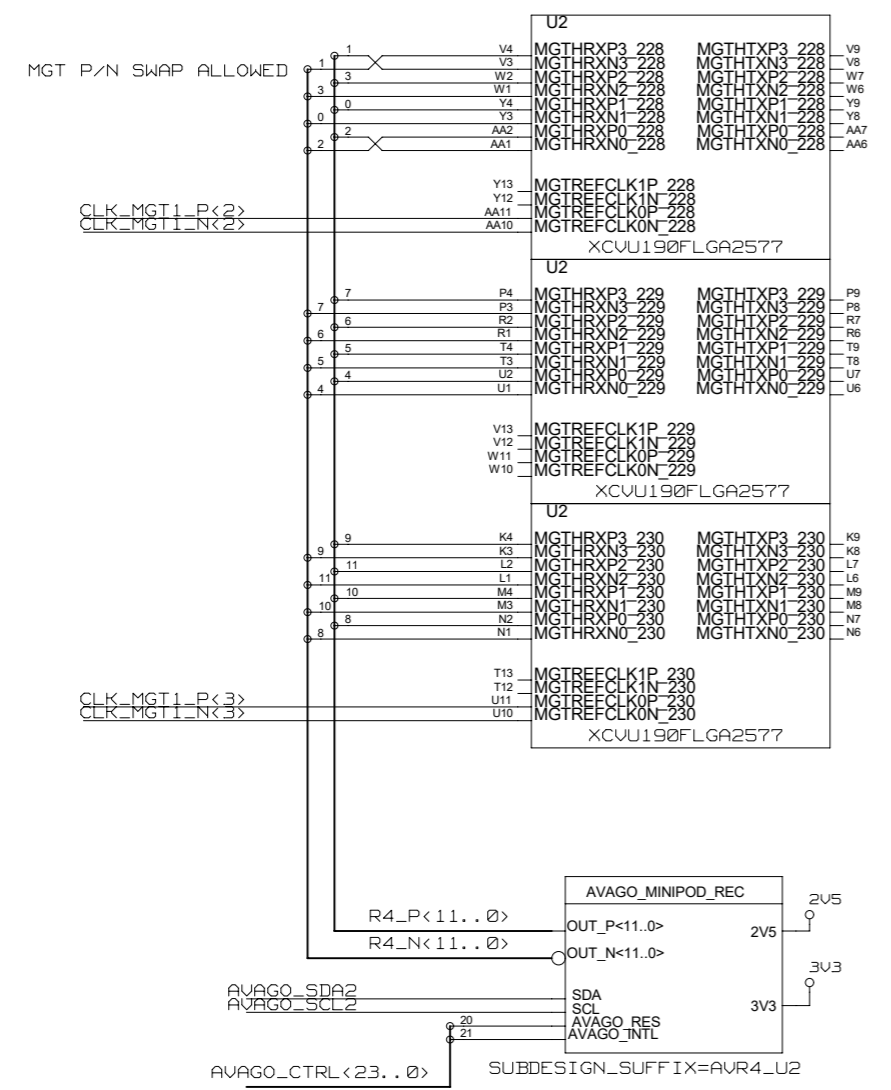
AVT1 I2C ADDRESS:
R3=NA R4=4K7
R5=NA R6=4K7
R7=NA R8=4K7

BANK
225
226
227

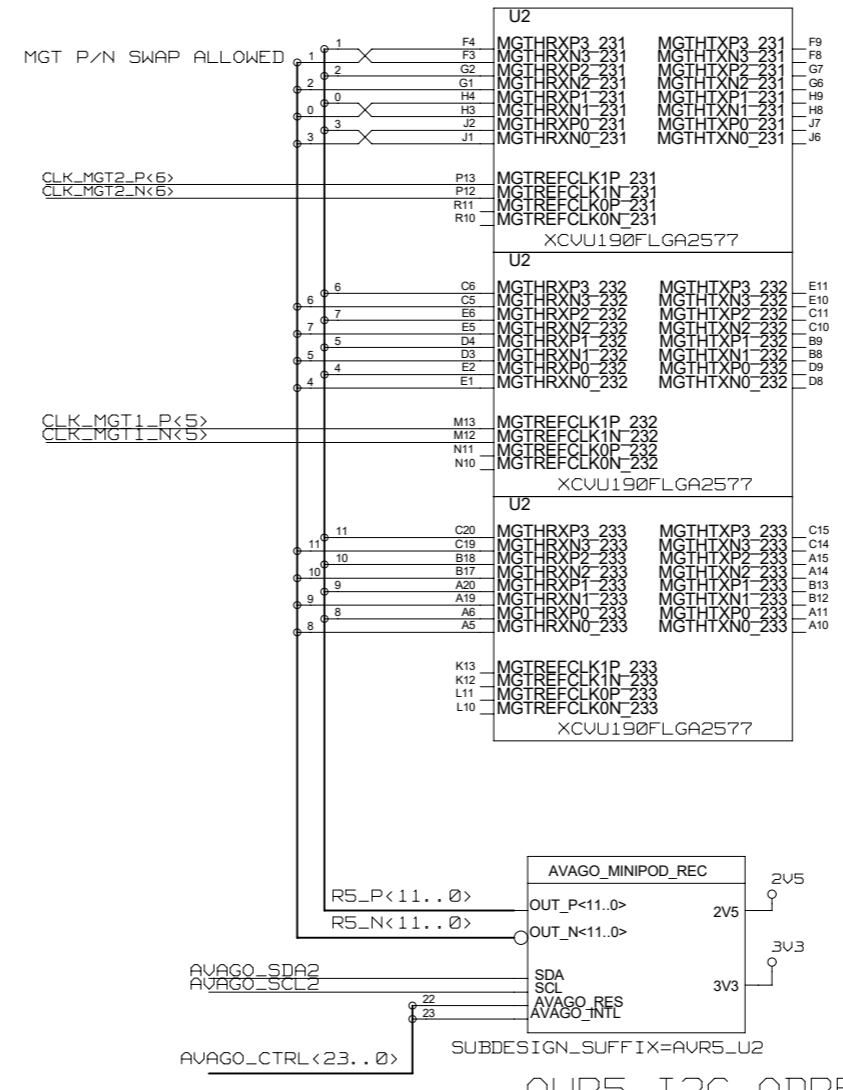
NAME	DATE	SIGN	DRAWING TITLE	
CHECKED	J. V. DE SOUZA		L1 TOPO	
CHECKED	U. SCHAEFER			
CHECKED	S. RAVE			
DRAWN	BAUSS	07.08.2015		
BLOCK TITLE			SIZE	DRAWING NO.
UNIVERSITY OF MAINZ			C	
SCALE			REV.	SHEET 5 OF 6

REVISIONS				
ZONE	LTR	DESCRIPTION	DATE	APPR.

HIGH SPEED OPTICAL LINKS



AVR4 I2C ADDRESS:
R3=4K7 R4=NA
R5=NA R6=4K7
R7=NA R8=4K7



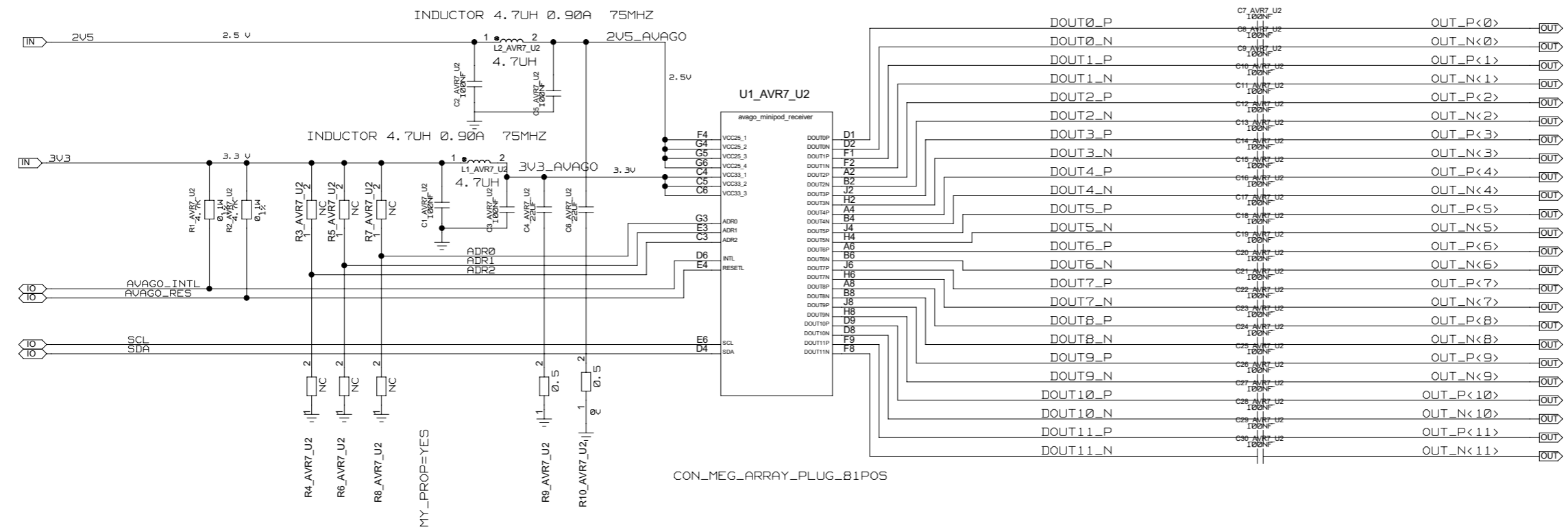
AVR5 I2C ADDRESS:
R3=4K7 R4=NA
R5=NA R6=4K7
R7=4K7 R8=NA

BANK
2200
2201
2202
2203
2204
2205
2206
2207
2208
2209
2210
2211
2212
2213
2214
2215
2216
2217
2218
2219
2220

CHECKED	NAME	DATE	SIGN	DRAWING TITLE		
CHECKED	J. V. DE SOUZA					
CHECKED	U. SCHAEFER					
CHECKED	S. RAVE					
DRAWN	BAUSS	07.08.2015		L1 TOPO		
BLOCK TITLE						
UNIVERSITY OF MAINZ				SIZE	REV.	DRAWING NO.
SCALE				SHEET 6 OF 6		

REVISIONS				
ZONE	LTR	DESCRIPTION	DATE	APPR.

AVAGO RECEIVER



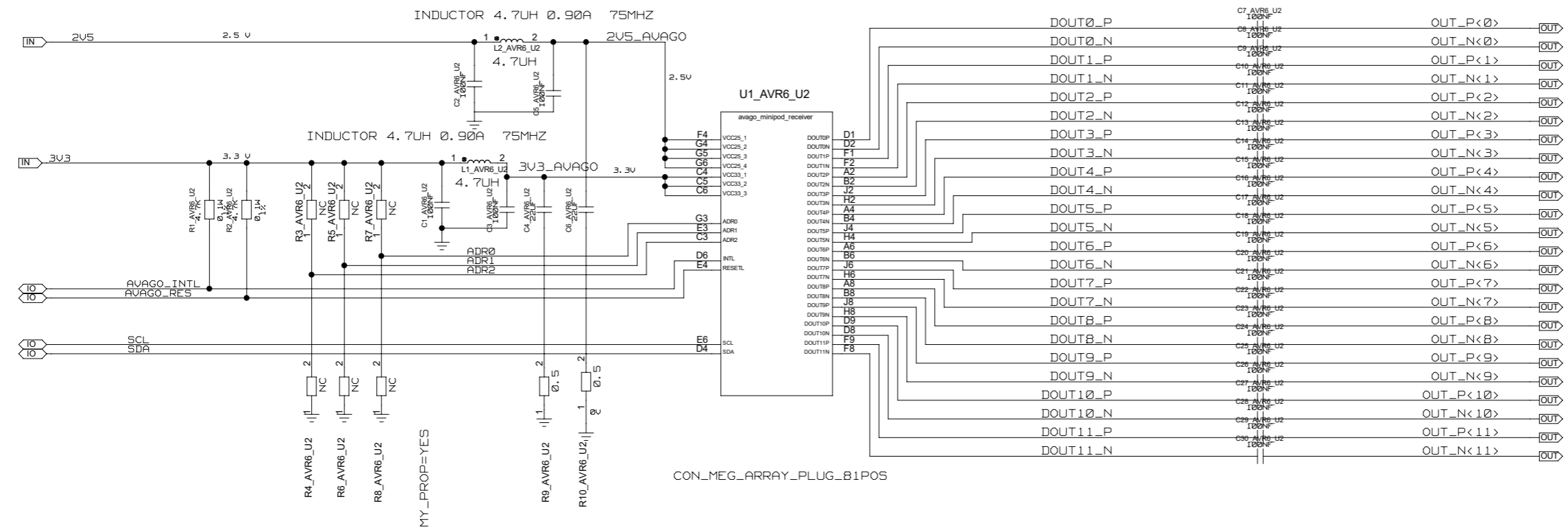
CON_MEG_ARRAY_PLUG_B1POS

MY_PROP=YES

UNIVERSITY OF MAINZ	DRAWING TITLE		
	L1TOPO		
SIZE	REV.	DRAWING NO.	
C			
SCALE			SHEET OF

REVISIONS				
ZONE	LTR	DESCRIPTION	DATE	APPR.

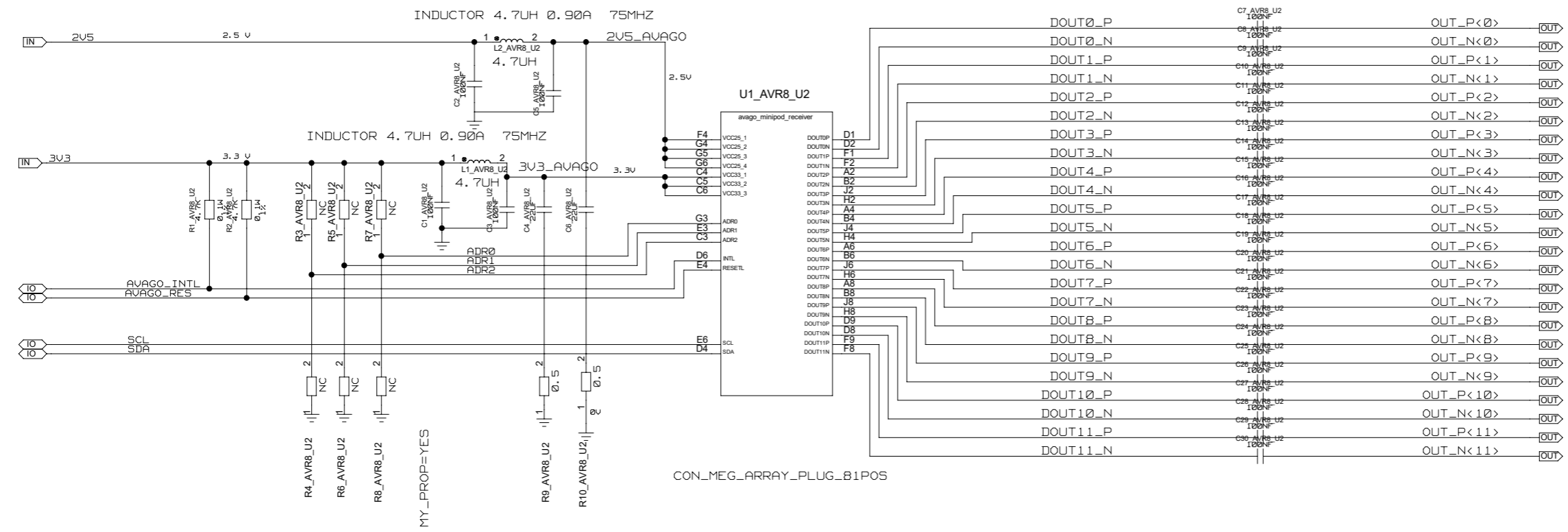
AVAGO RECEIVER



UNIVERSITY OF MAINZ	DRAWING TITLE		
	L1TOPO		
SIZE	REV.	DRAWING NO.	
C			
SCALE		SHEET	OF

REVISIONS				
ZONE	LTR	DESCRIPTION	DATE	APPR.

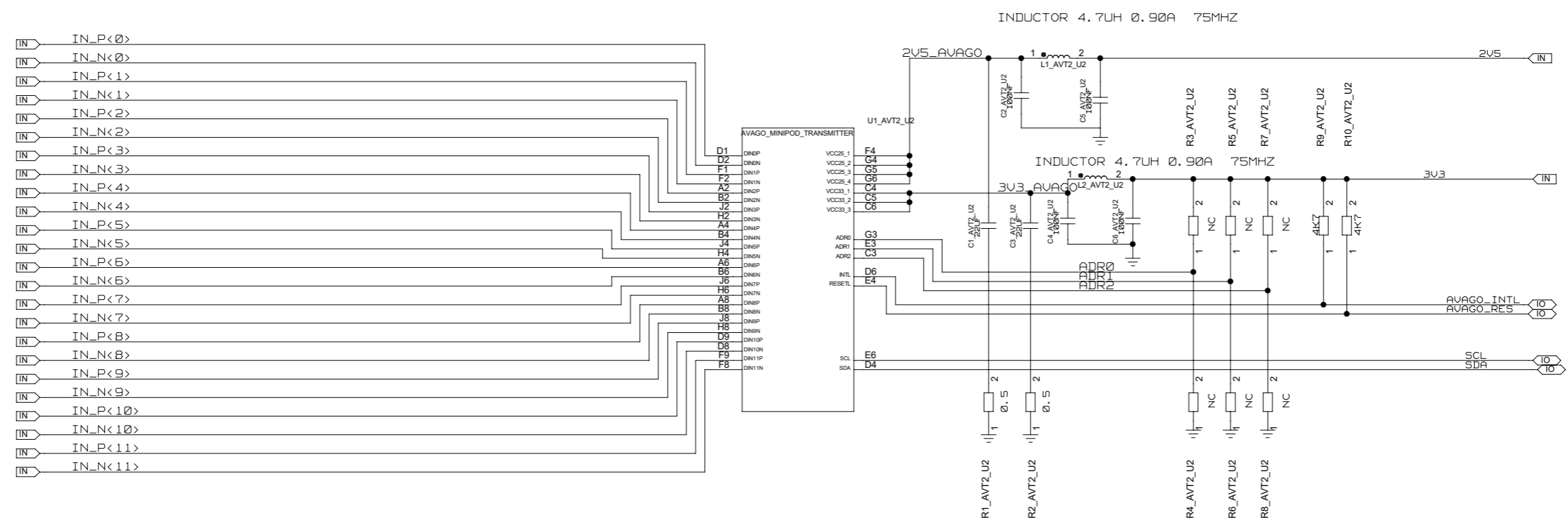
AVAGO RECEIVER



UNIVERSITY OF MAINZ	DRAWING TITLE		
	L1TOPO		
SIZE	REV.	DRAWING NO.	
C			
SCALE		SHEET	OF

REVISIONS				
ZONE	LTR	DESCRIPTION	DATE	APPR.

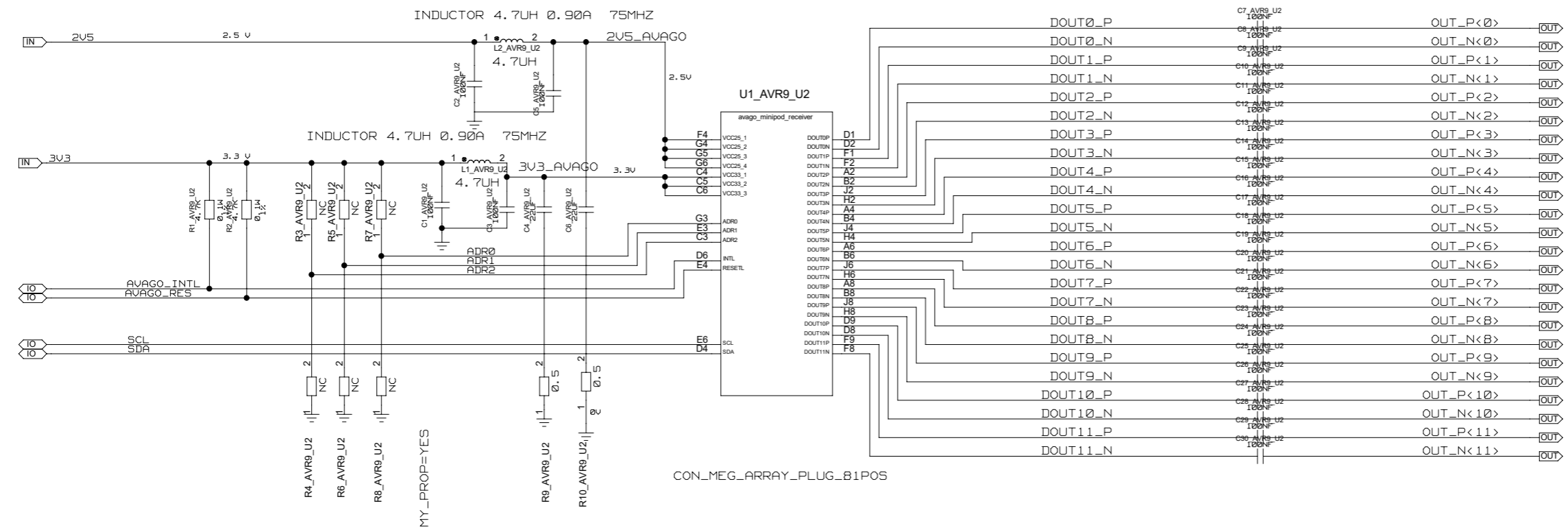
AVAGO TRANSMITTER



UNIVERSITY OF MAINZ		DRAWING TITLE	
		L1 TOPO	
SIZE	REV.	DRAWING NO.	
C			
SCALE		SHEET	OF

REVISIONS				
ZONE	LTR	DESCRIPTION	DATE	APPR.

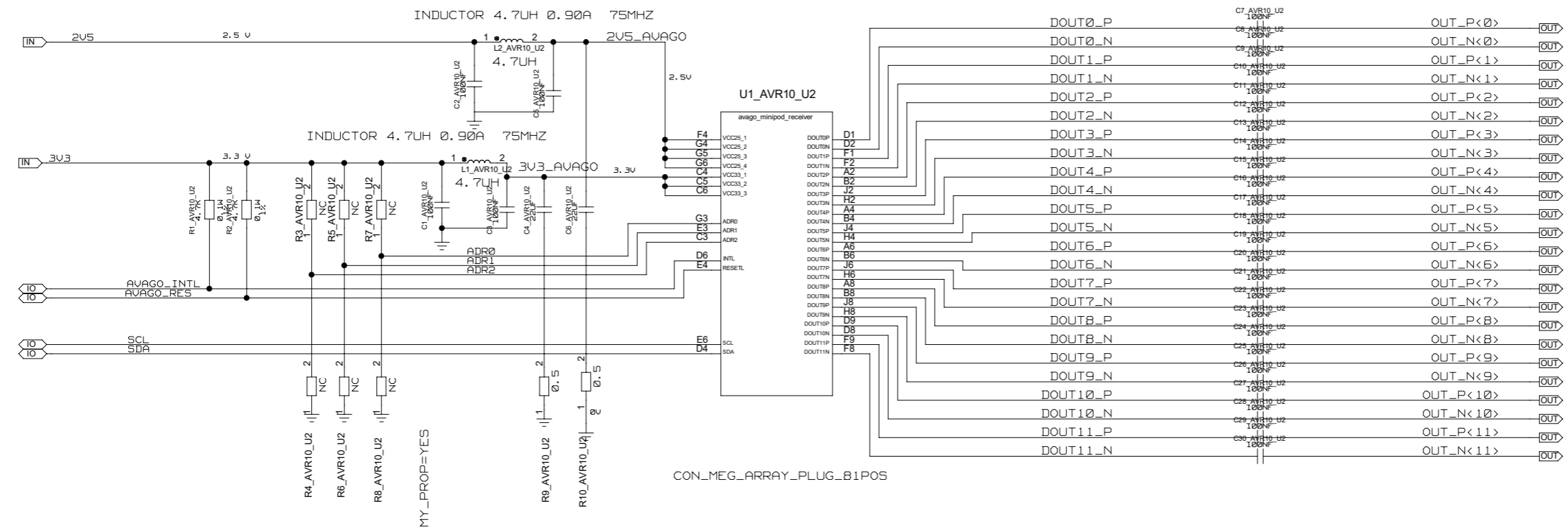
AVAGO RECEIVER



UNIVERSITY OF MAINZ	DRAWING TITLE		
	L1TOPO		
SIZE	REV.	DRAWING NO.	
C			
SCALE		SHEET	OF

REVISIONS				
ZONE	LTR	DESCRIPTION	DATE	APPR.

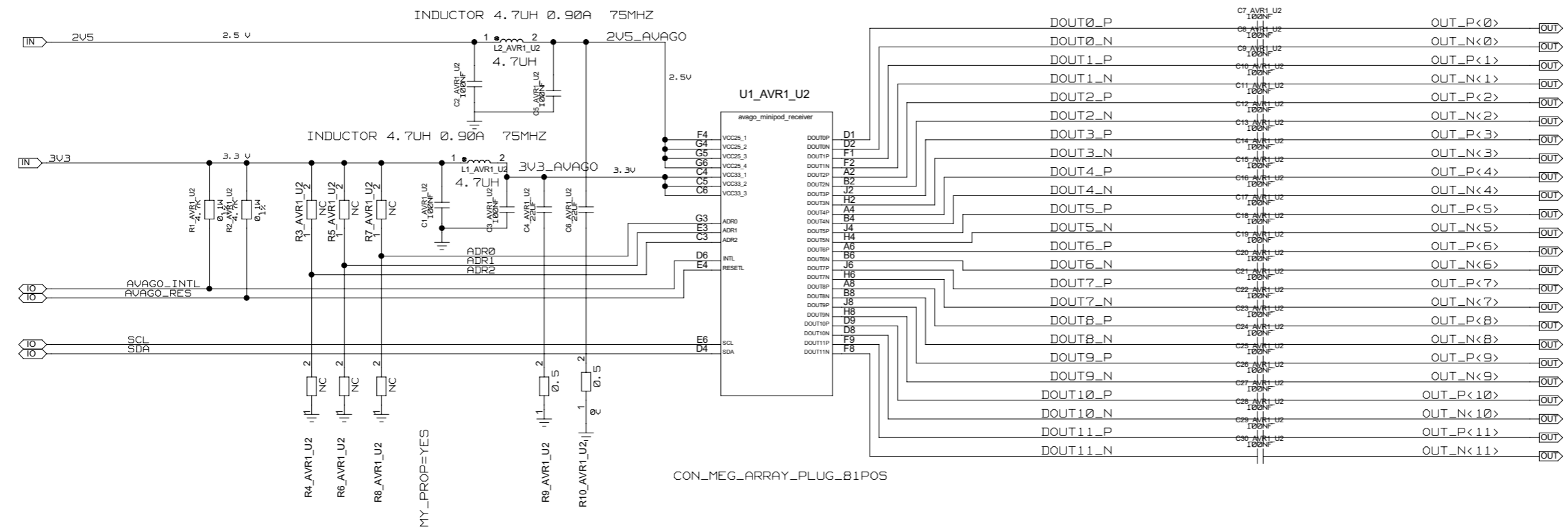
AVAGO RECEIVER



UNIVERSITY OF MAINZ		DRAWING TITLE	
		L1TOPO	
SIZE	REV.	DRAWING NO.	
C			
SCALE		SHEET	OF

REVISIONS				
ZONE	LTR	DESCRIPTION	DATE	APPR.

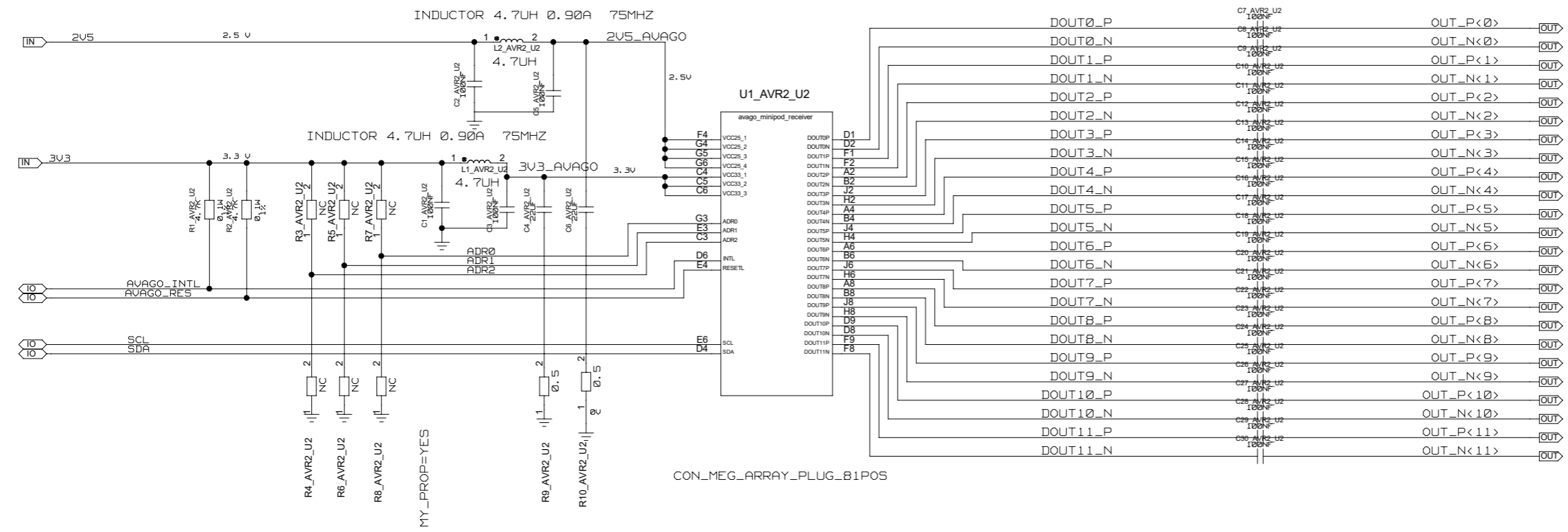
AVAGO RECEIVER



UNIVERSITY OF MAINZ		DRAWING TITLE	
		L1TOPO	
SIZE	REV.	DRAWING NO.	
C			
SCALE		SHEET	OF

REVISIONS				
ZONE	LTR	DESCRIPTION	DATE	APPR.

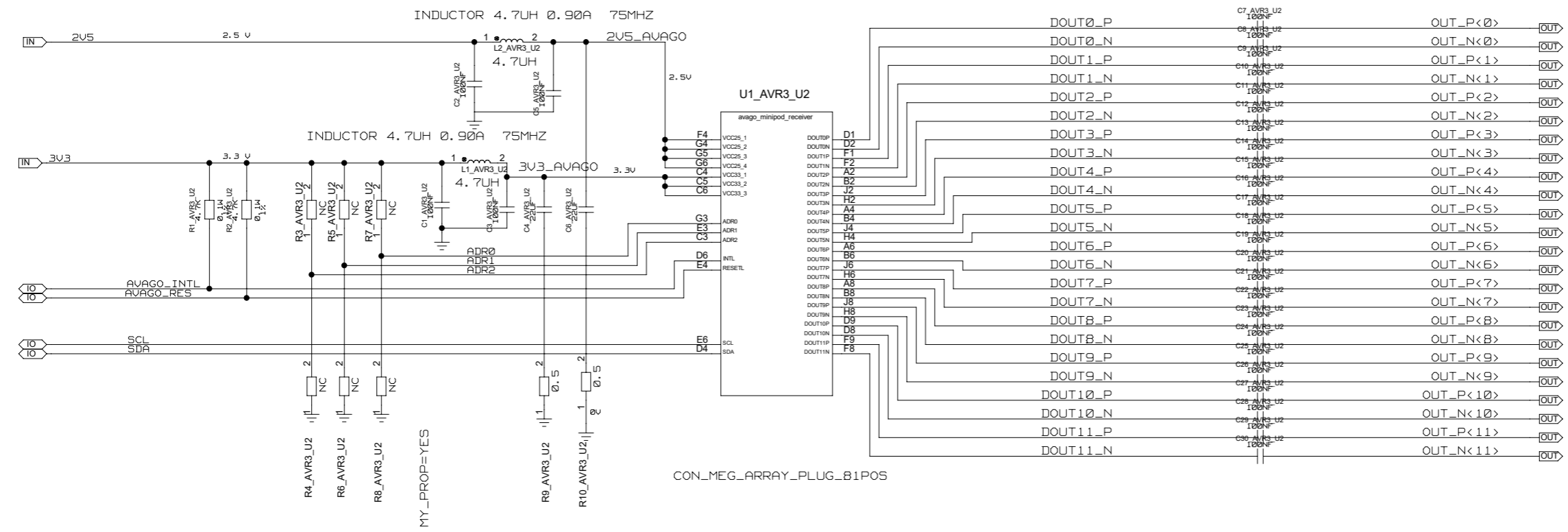
AVAGO RECEIVER



UNIVERSITY OF MAINZ	DRAWING TITLE		
	L1TOPO		
SIZE C	REV.	DRAWING NO.	
SCALE	SHEET		OF

REVISIONS				
ZONE	LTR	DESCRIPTION	DATE	APPR.

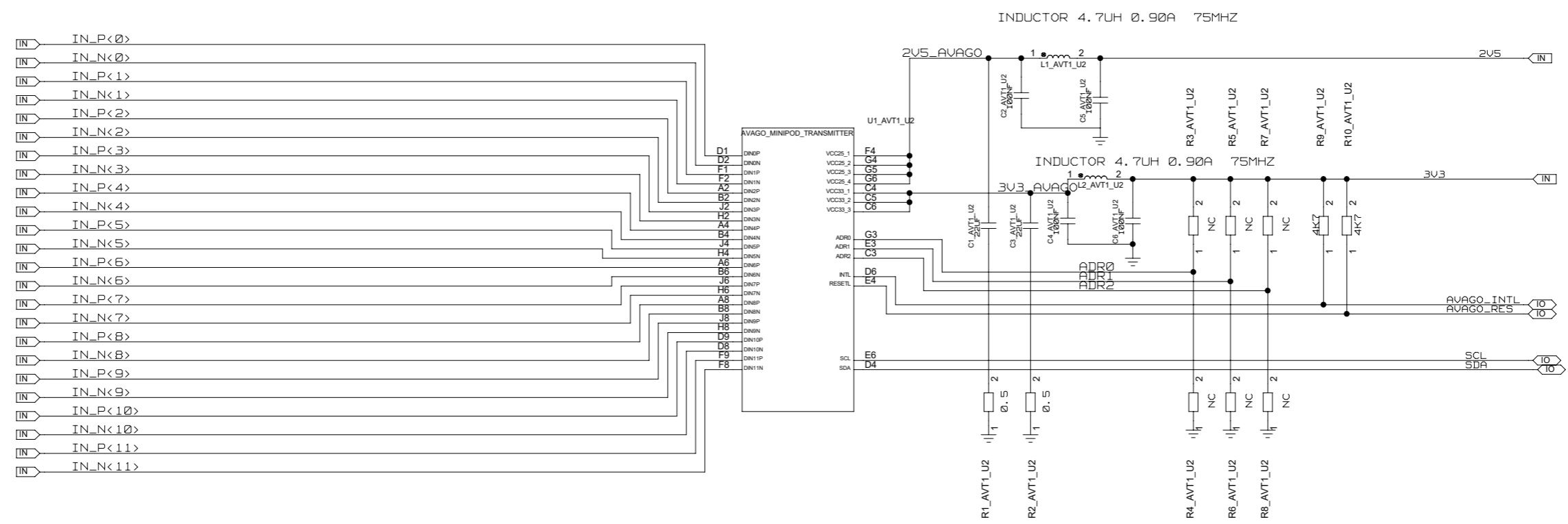
AVAGO RECEIVER



UNIVERSITY OF MAINZ	DRAWING TITLE		
	L1TOPO		
SIZE	REV.	DRAWING NO.	
C			
SCALE		SHEET	OF

REVISIONS				
ZONE	LTR	DESCRIPTION	DATE	APPR.

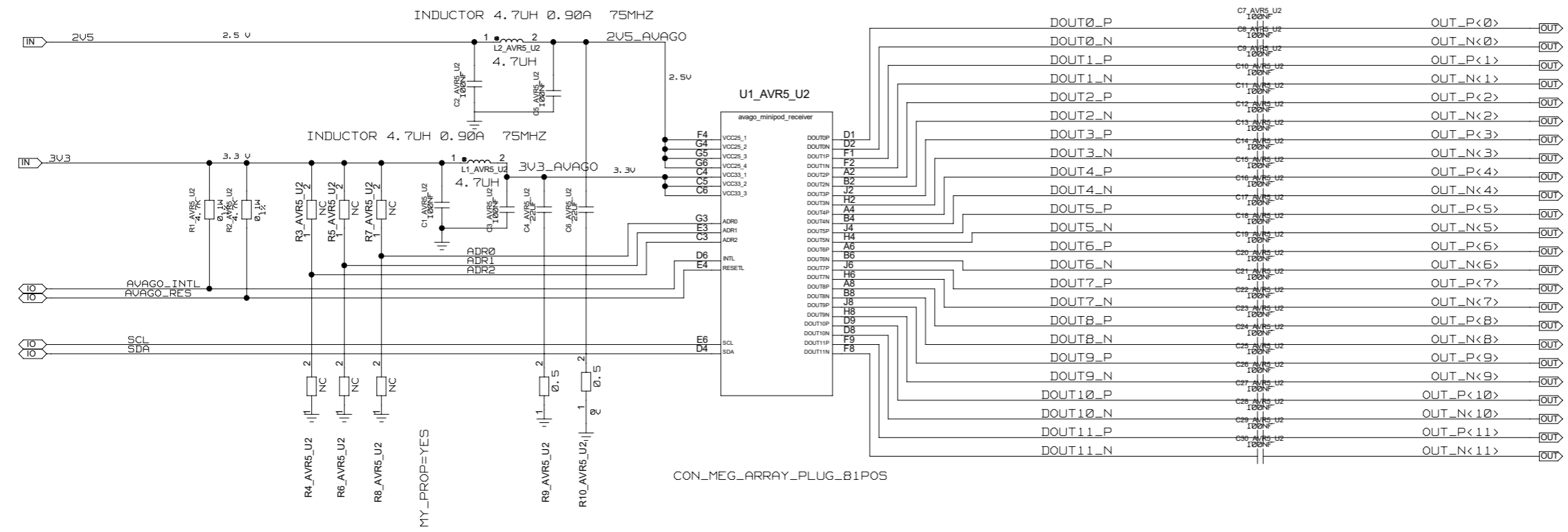
AVAGO TRANSMITTER



UNIVERSITY OF MAINZ		DRAWING TITLE	
		L1 TOPO	
SIZE	REV.	DRAWING NO.	
C			
SCALE		SHEET	OF
		1	1

REVISIONS				
ZONE	LTR	DESCRIPTION	DATE	APPR.

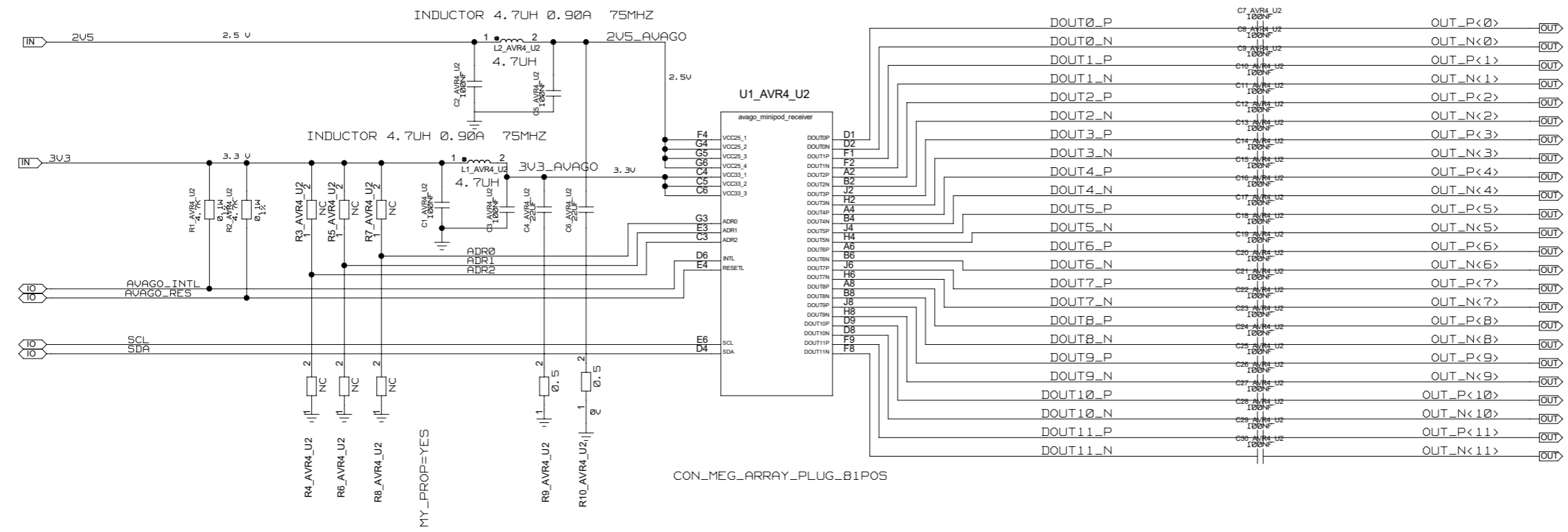
AVAGO RECEIVER



UNIVERSITY OF MAINZ	DRAWING TITLE		
	L1TOPO		
SIZE C	REV.	DRAWING NO.	
SCALE		SHEET	OF

REVISIONS				
ZONE	LTR	DESCRIPTION	DATE	APPR.

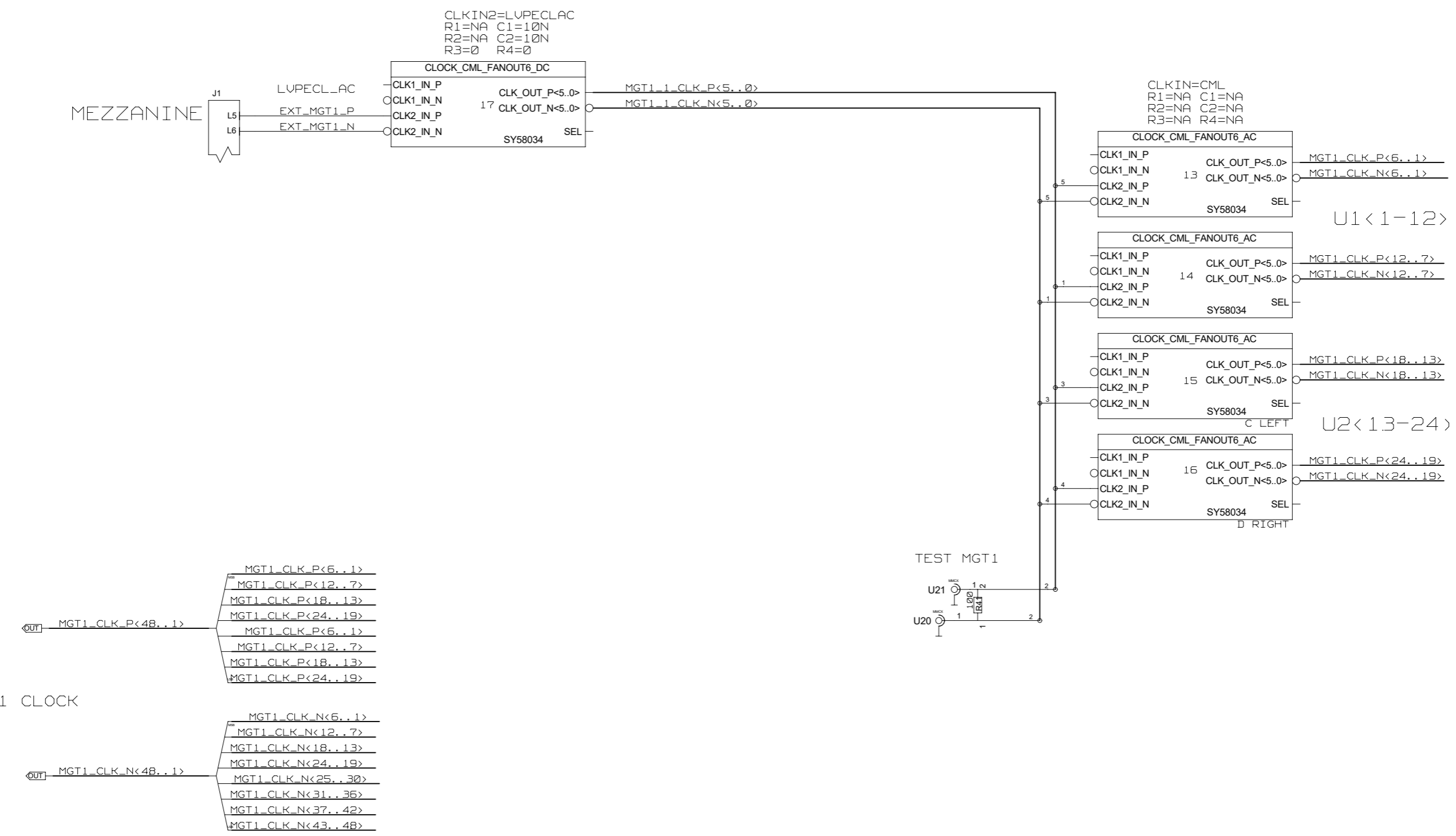
AVAGO RECEIVER



UNIVERSITY OF MAINZ		DRAWING TITLE	
		L1TOPO	
SIZE	REV.	DRAWING NO.	
C			
SCALE		SHEET	OF

REVISIONS				
ZONE	LTR	DESCRIPTION	DATE	APPR.

MGT1 CLOCK

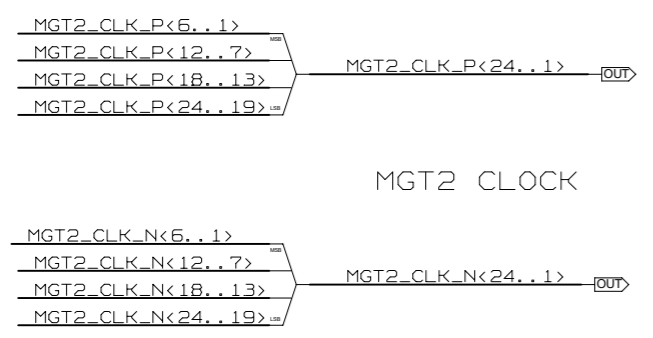
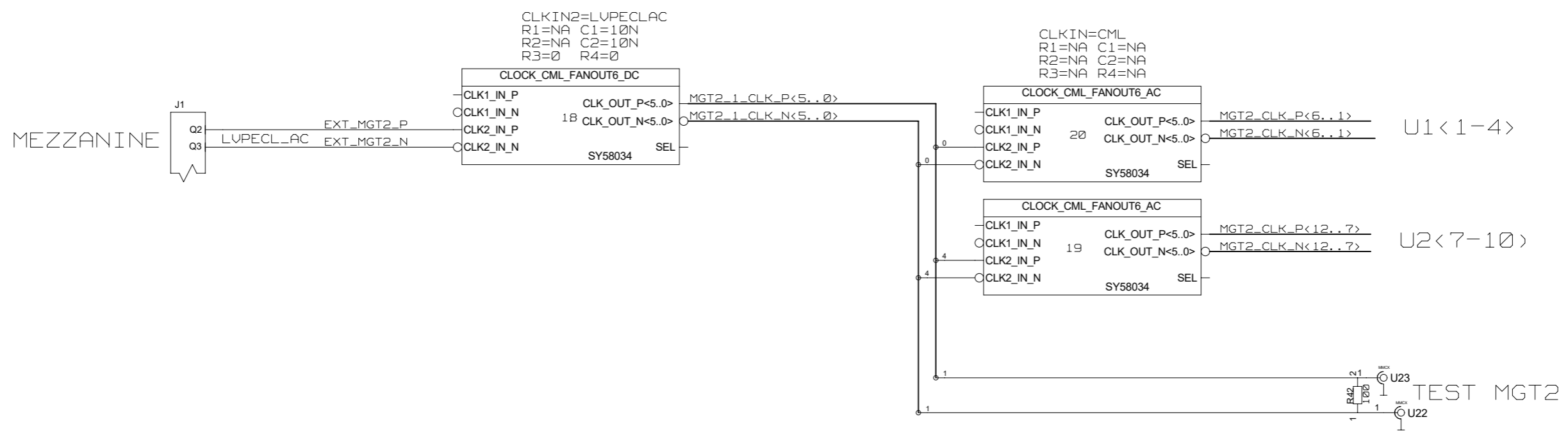


UPDATE PICK & PLACE DATA FOR FANOUT

CHECKED	J. V. DE SOUZA			DRAWING TITLE L1 TOPO
CHECKED	U. SCHAEFER			
CHECKED	S. RAVE			
DRAWN	BAUSS	08.06.2017		
BLOCK TITLE CLOCK				
UNIVERSITY OF MAINZ		SIZE C	REV.	DRAWING NO.
SCALE				SHEET 1 of 5

REVISIONS				
ZONE	LTR	DESCRIPTION	DATE	APPR.

MGT2 CLOCK

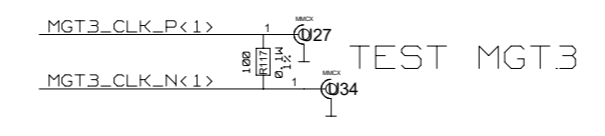
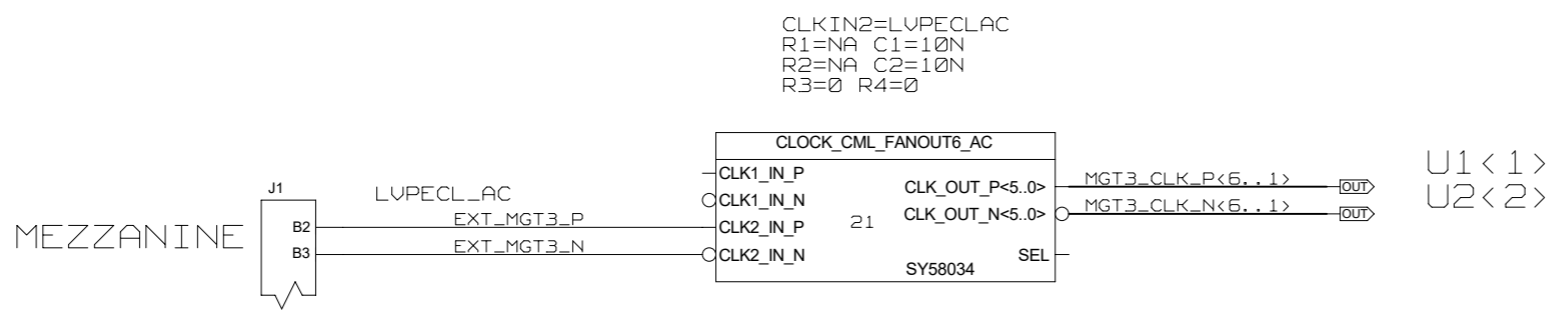


UPDATE PICK & PLACE DATA FOR FANOUT AND MUX

CHECKED	J. V. DE SOUZA	DATE	SIGN	DRAWING TITLE <h1>L1 TOPO</h1>
CHECKED	U. SCHAEFER			
CHECKED	S. RAVE			
DRAWN	BAUSS	08.06.2017		
BLOCK TITLE <h2>CLOCK</h2>				
UNIVERSITY OF MAINZ				SIZE C
				REV.
				DRAWING NO.
SCALE				SHEET 2 OF 5

REVISIONS				
ZONE	LTR	DESCRIPTION	DATE	APPR.

MGT.3 CLOCK (ROD REFCLK)

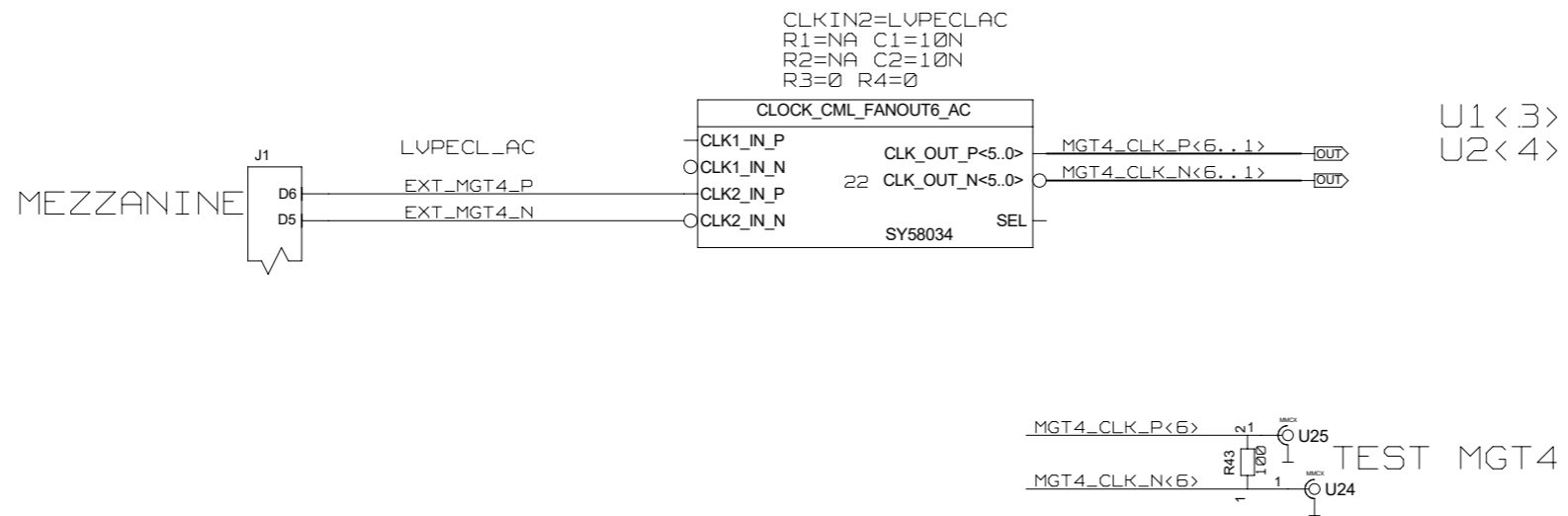


UPDATE PICK & PLACE DATA FOR FANOUT

CHECKED	NAME	DATE	SIGN	DRAWING TITLE L1 TOPO
CHECKED	J. V. DE SOUZA			
CHECKED	U. SCHAEFER			
CHECKED	S. RAVE			
DRAWN	BAUSS	08.06.2017		
BLOCK TITLE CLOCK				SIZE C
UNIVERSITY OF MAINZ				REV.
SCALE				DRAWING NO.
				SHEET 3 OF 5

ZONE	LTR	DESCRIPTION	DATE	APPR.

MGT4 CLOCK (IPBUS REFCLK)

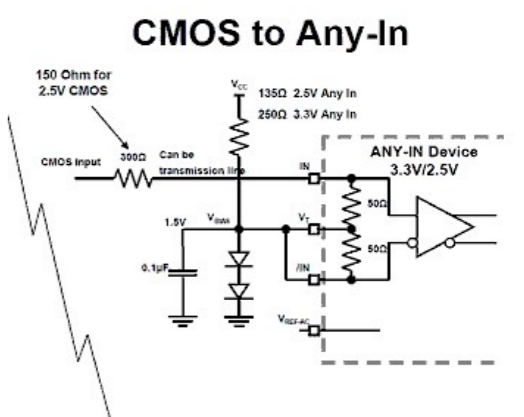
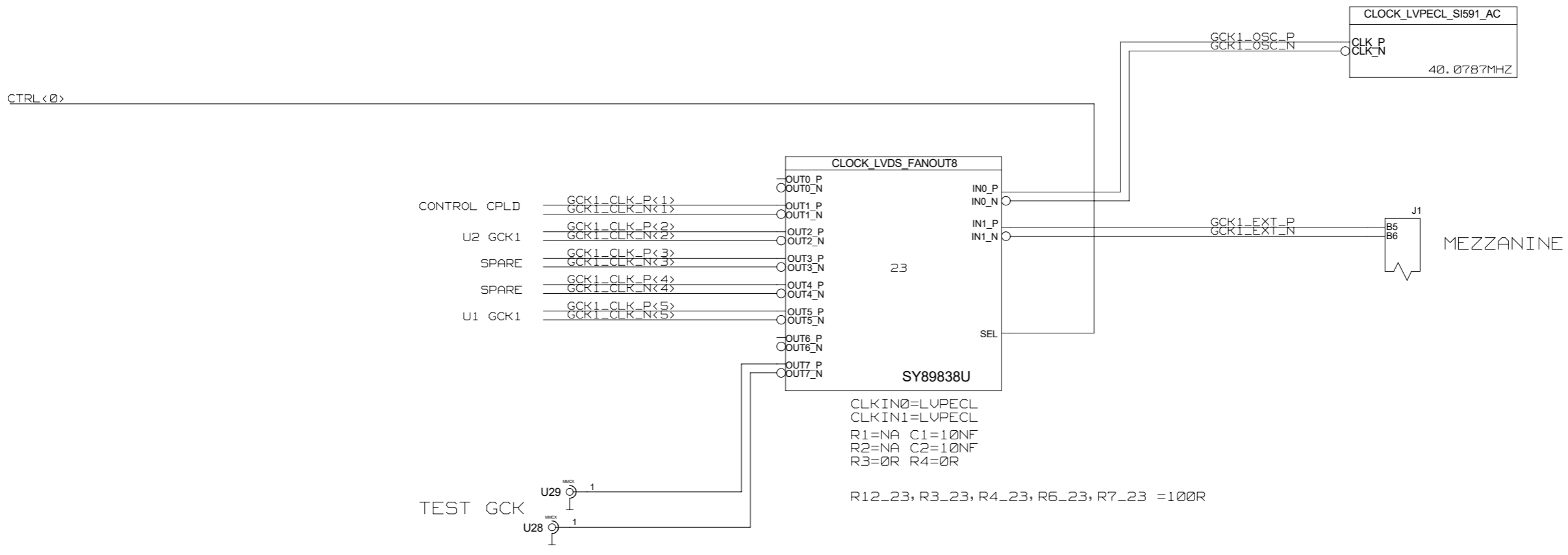


UPDATE PICK & PLACE DATA FOR FANOUT AND MUX

CHECKED	NAME	DATE	SIGN	DRAWING TITLE <h1>L1 TOPO</h1>	
	J. V. DE SOUZA				
	U. SCHAEFER				
	S. RAVE				
	BAUSS	08.06.2017			
BLOCK TITLE <h2>CLOCK</h2>					
UNIVERSITY OF MAINZ				SIZE C	REV.
				SCALE	DRAWING NO.
					SHEET 4 OF 5

REVISIONS			
ZONE	LTR	DESCRIPTION	DATE

GLOBAL CLOCK1



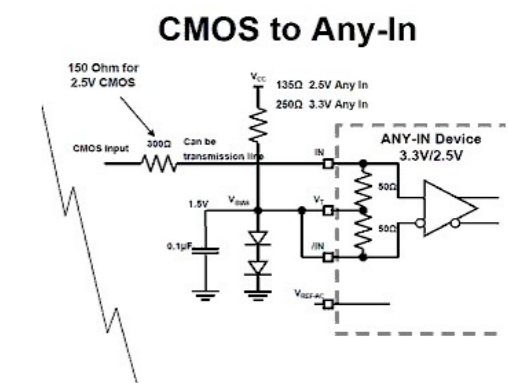
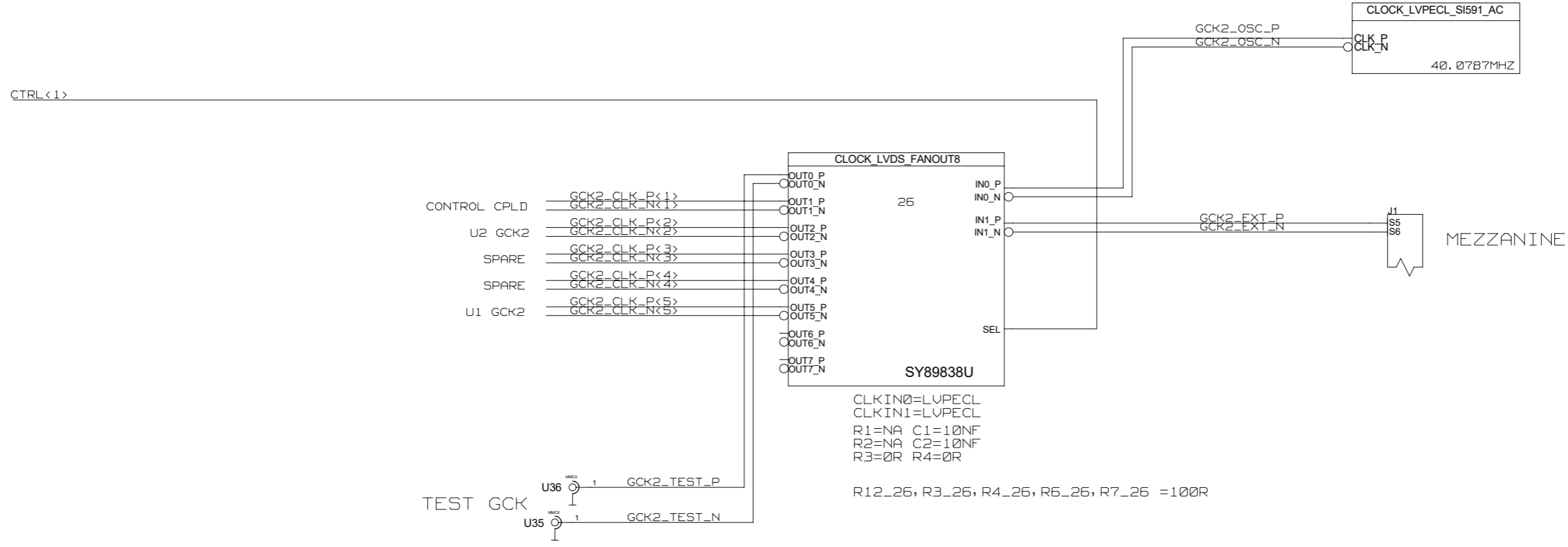
LVDS <OUT> GCK1_CLK_P<5..1>
 <OUT> GCK1_CLK_N<5..1>

GCK1 = CLK U1
 GCK2 = CLK U2
 GCK3 = SPARE
 GCK4 = SPARE
 GCK5 = CLK CPLD

CHECKED	NAME	DATE	SIGN	DRAWING TITLE
CHECKED	J. V. DE SOUZA			L1TOPO
CHECKED	U. SCHAEFER			
CHECKED	S. RAVE			
DRAWN	BAUSS	17.08.2015		
BLOCK TITLE				CLOCK
UNIVERSITY OF MAINZ				SIZE C
				REV.
				DRAWING NO.
SCALE				SHEET 5 OF 5

REVISIONS				
ZONE	LTR	DESCRIPTION	DATE	APPR.

GLOBAL CLOCK2



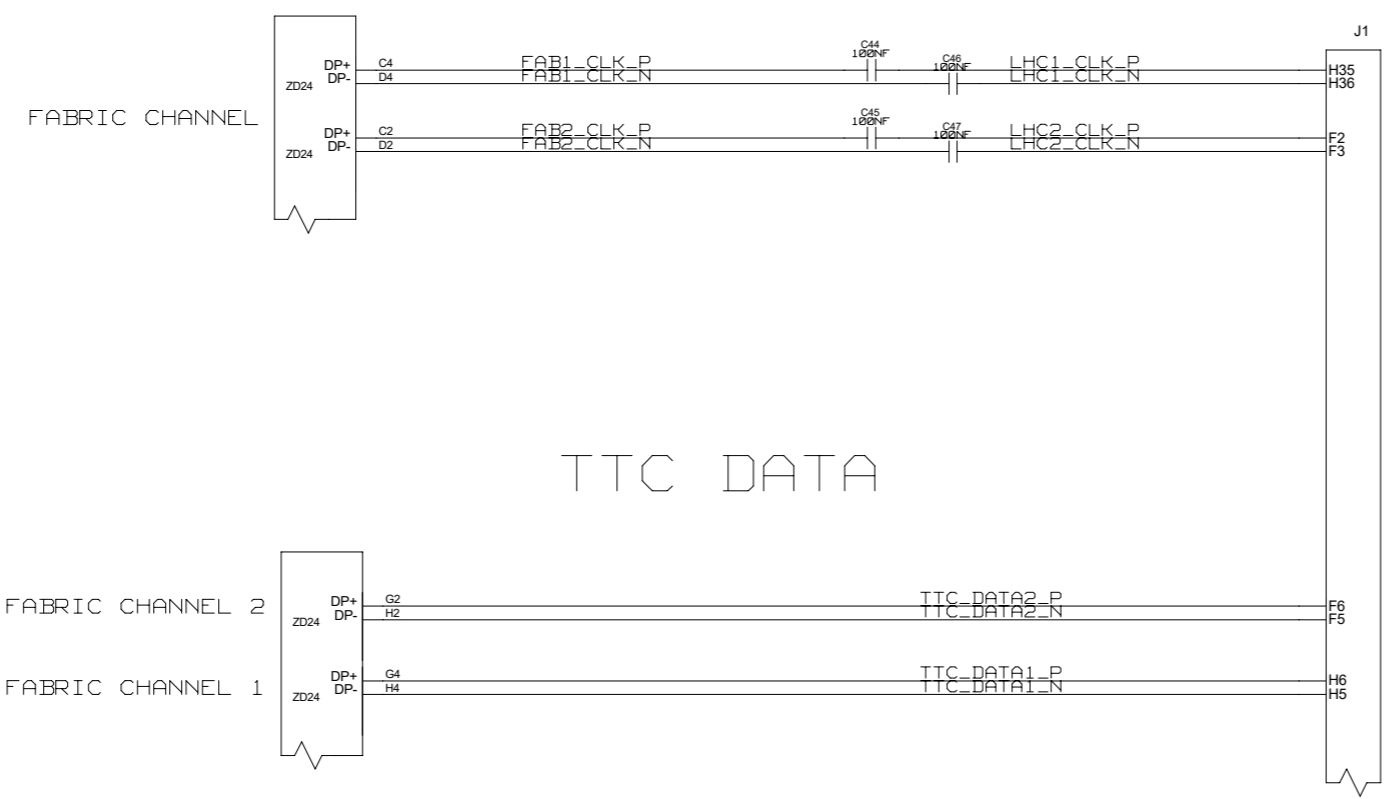
LVDS <OUT> GCK2_CLK_P<5..1>
 <OUT> GCK2_CLK_N<5..1>

GCK1 = CLK U1
 GCK2 = CLK U2
 GCK3 = SPARE
 GCK4 = SPARE
 GCK5 = CLK CPLD

CHECKED	NAME	DATE	SIGN	DRAWING TITLE
CHECKED	J. V. DE SOUZA			L1 TOPO
CHECKED	U. SCHAEFER			
CHECKED	S. RAVE			
DRAWN	BAUSS	17.08.2015		
BLOCK TITLE				CLOCK
UNIVERSITY OF MAINZ				SIZE
				REV.
				DRAWING NO.
				SHEET 5 OF 5

REVISIONS				
ZONE	LTR	DESCRIPTION	DATE	APPR.

LHC1 + LHC2 CLK



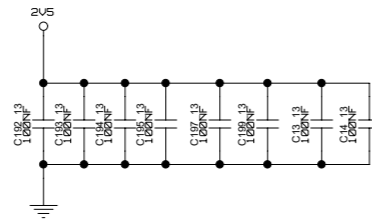
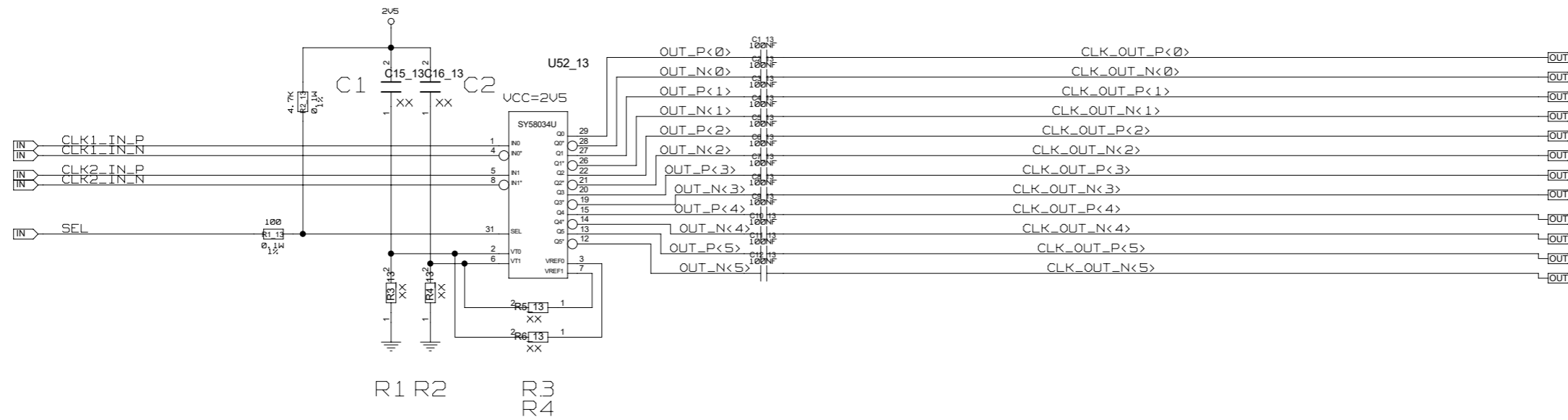
TTC DATA

MEZZANINE

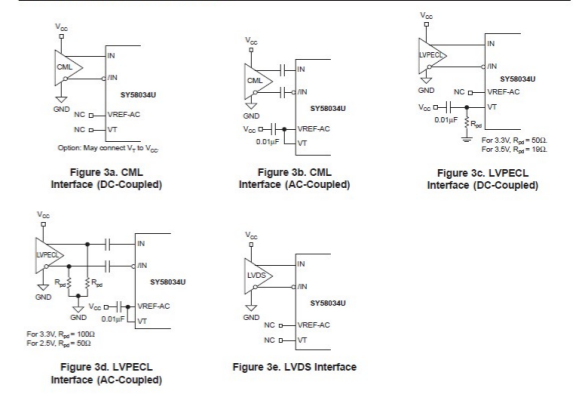
CHECKED	J. V. DE SOUZA			DRAWING TITLE <h1>L1 TOPO</h1>
CHECKED	U. SCHAEFER			
CHECKED	S. RAVE			
DRAWN	BAUSS	05. 11. 2015		
BLOCK TITLE <h2>CLOCK</h2>				
UNIVERSITY OF MAINZ			SIZE C	DRAWING NO.
			SCALE	SHEET OF

REVISIONS				
ZONE	LTR	DESCRIPTION	DATE	APPR.

CLOCK CML FANOUT6 AC



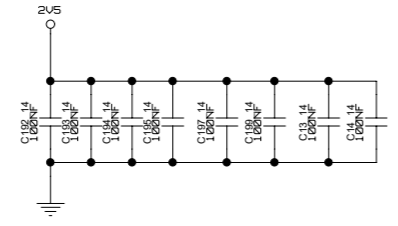
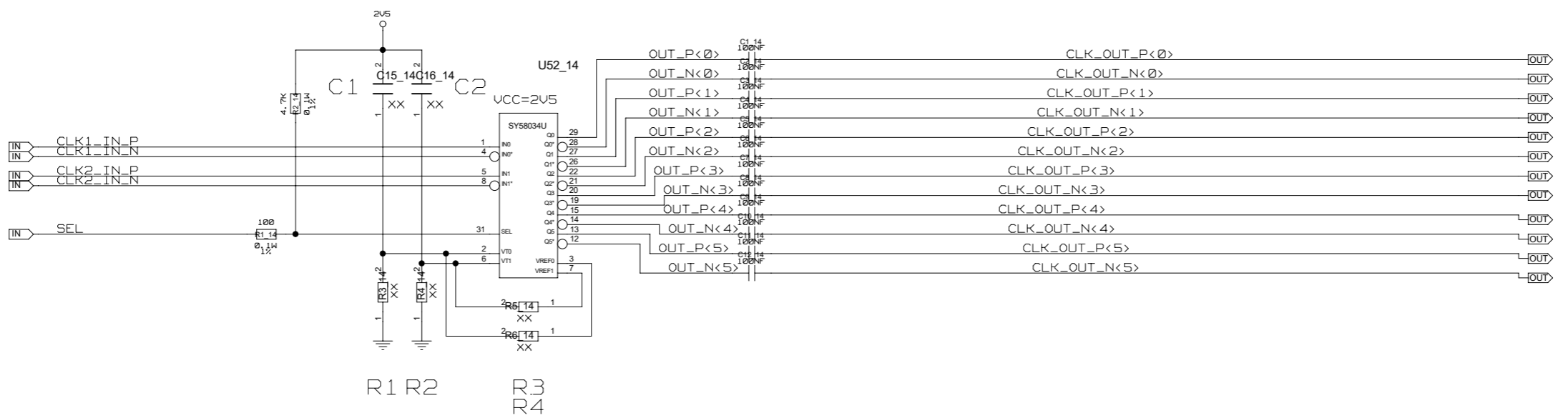
INPUT INTERFACE APPLICATIONS



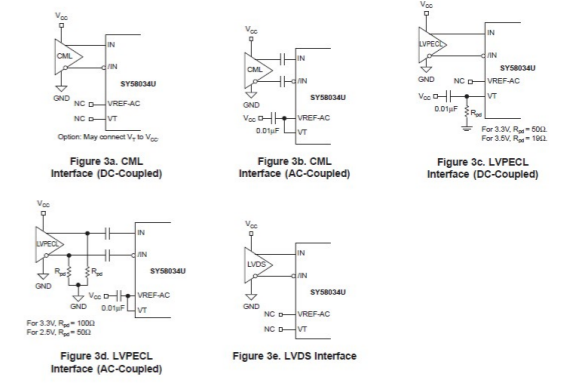
CHECKED	J. V. DE SOUZA			DRAWING TITLE L1TOPO	
CHECKED	U. SCHAEFER				
CHECKED	S. RAVE				
DRAWN	BAUSS				
BLOCK TITLE CLOCK CML FANOUT6 AC					
UNIVERSITY OF MAINZ			SIZE C	REV.	DRAWING NO.
SCALE			SHEET		OF

REVISIONS				
ZONE	LTR	DESCRIPTION	DATE	APPR.

CLOCK CML FANOUT6 AC



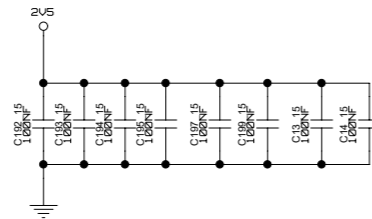
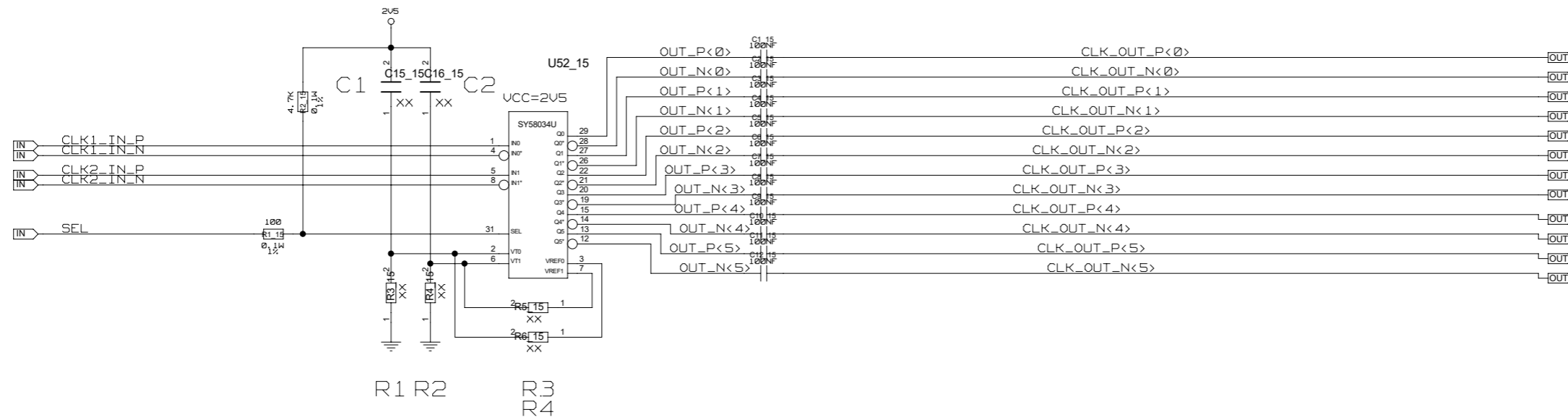
INPUT INTERFACE APPLICATIONS



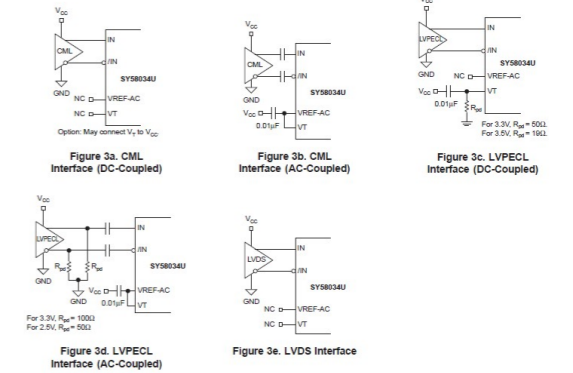
CHECKED	J. V. DE SOUZA			DRAWING TITLE L1TOPO
CHECKED	U. SCHAEFER			
CHECKED	S. RAVE			
DRAWN	BAUSS			
BLOCK TITLE CLOCK CML FANOUT6 AC				
UNIVERSITY OF MAINZ			SIZE C	DRAWING NO.
SCALE		REV.	SHEET OF	

REVISIONS				
ZONE	LTR	DESCRIPTION	DATE	APPR.

CLOCK CML FANOUT6 AC



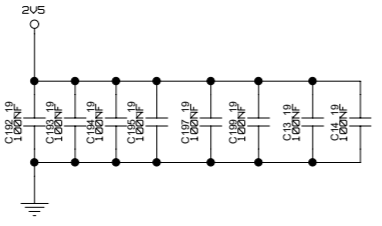
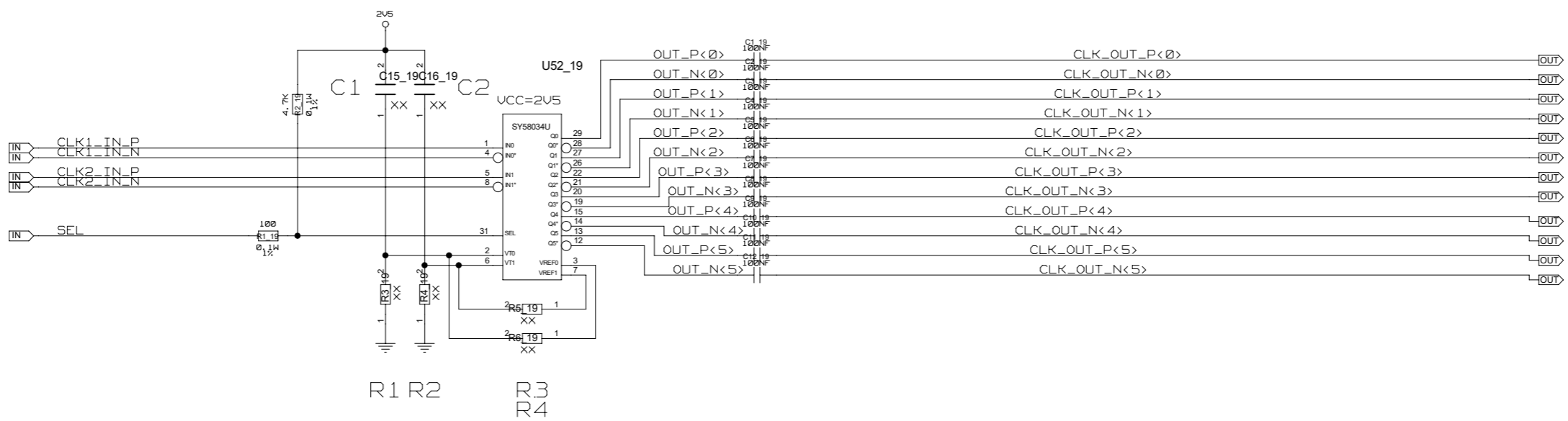
INPUT INTERFACE APPLICATIONS



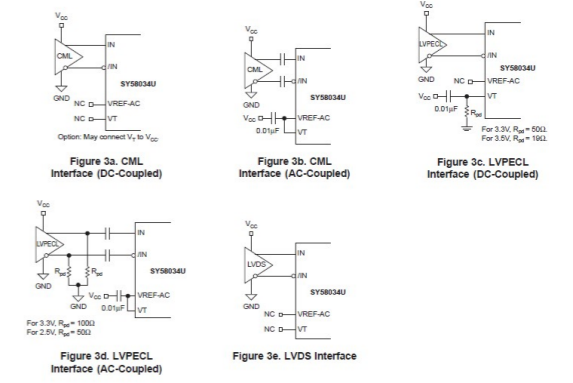
CHECKED	J. V. DE SOUZA			DRAWING TITLE L1TOPO	
CHECKED	U. SCHAEFER				
CHECKED	S. RAVE				
DRAWN	BAUSS				
BLOCK TITLE CLOCK CML FANOUT6 AC					
UNIVERSITY OF MAINZ			SIZE C	REV.	DRAWING NO.
SCALE			SHEET		OF

REVISIONS				
ZONE	LTR	DESCRIPTION	DATE	APPR.

CLOCK CML FANOUT6 AC



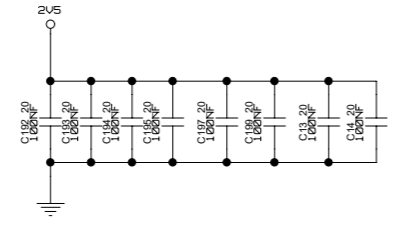
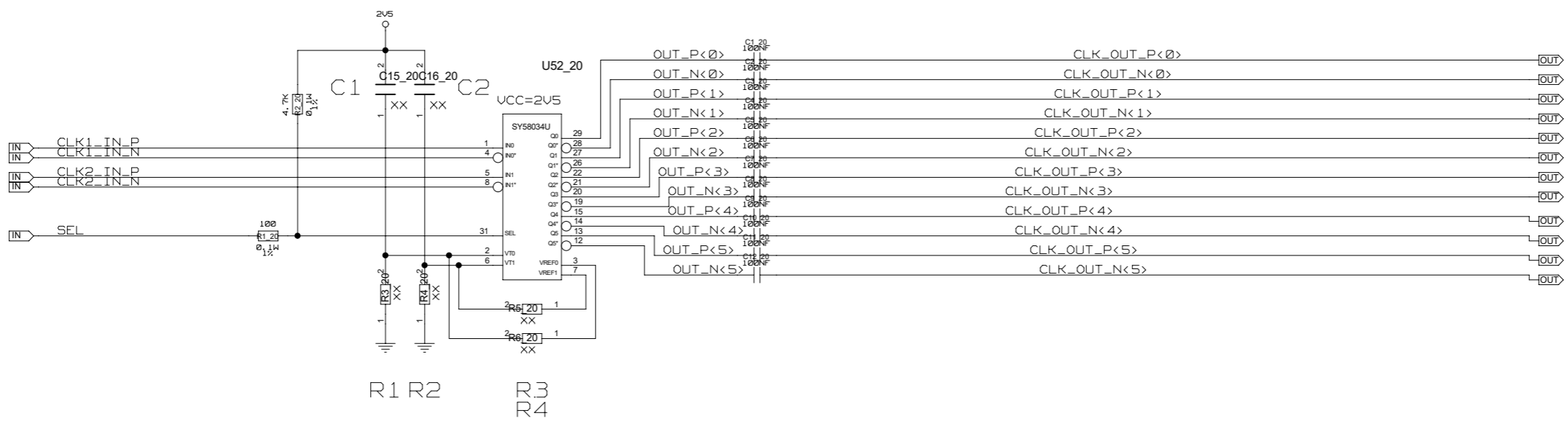
INPUT INTERFACE APPLICATIONS



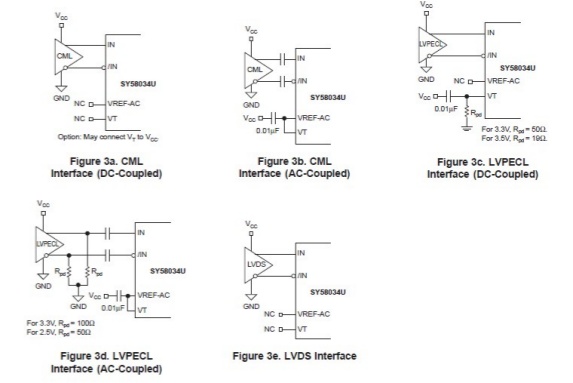
CHECKED	J. V. DE SOUZA			DRAWING TITLE L1TOPO		
CHECKED	U. SCHAEFER					
CHECKED	S. RAVE					
DRAWN	BAUSS					
BLOCK TITLE CLOCK CML FANOUT6 AC						
UNIVERSITY OF MAINZ				SIZE C	REV.	DRAWING NO.
				SCALE		SHEET OF

REVISIONS				
ZONE	LTR	DESCRIPTION	DATE	APPR.

CLOCK CML FANOUT6 AC



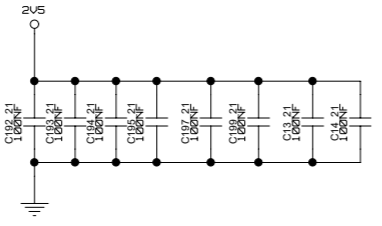
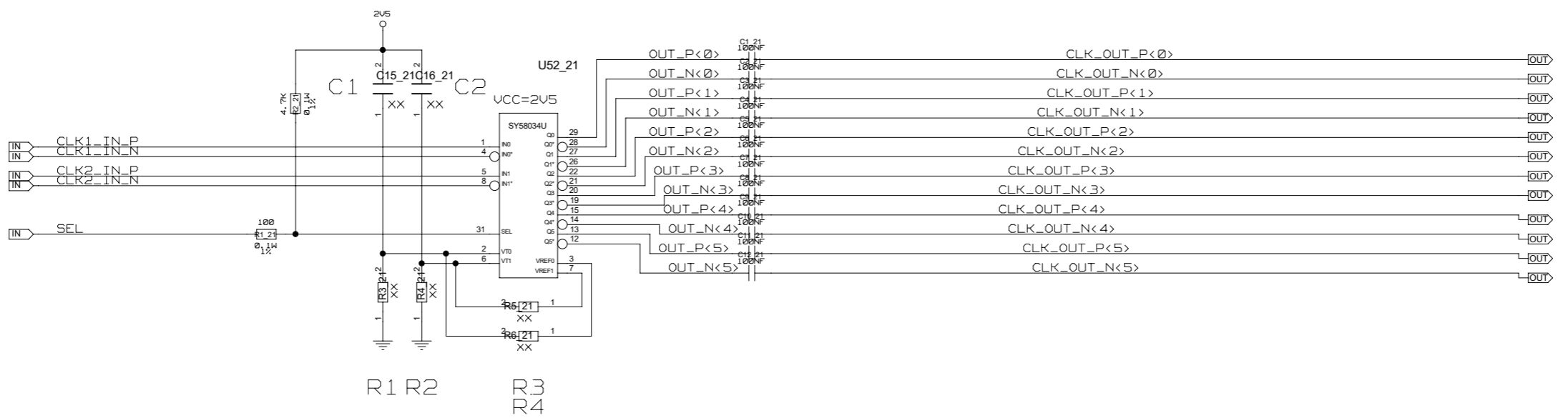
INPUT INTERFACE APPLICATIONS



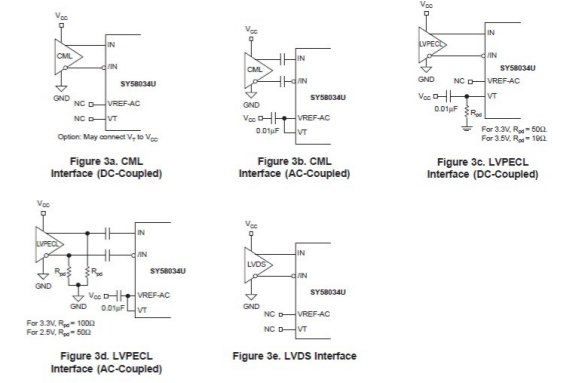
CHECKED	J. V. DE SOUZA			DRAWING TITLE L1TOPO
CHECKED	U. SCHAEFER			
CHECKED	S. RAVE			
DRAWN	BAUSS			
BLOCK TITLE CLOCK CML FANOUT6 AC				
UNIVERSITY OF MAINZ			SIZE C	DRAWING NO.
SCALE			REV.	SHEET OF

REVISIONS				
ZONE	LTR	DESCRIPTION	DATE	APPR.

CLOCK CML FANOUT6 AC



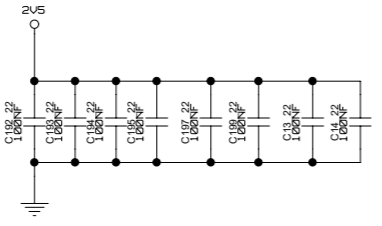
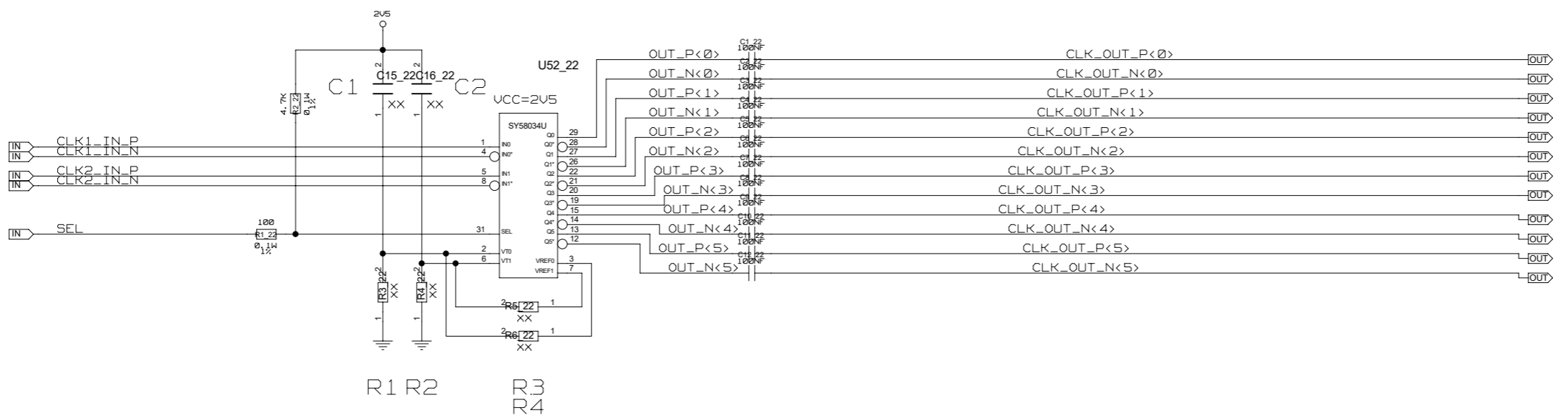
INPUT INTERFACE APPLICATIONS



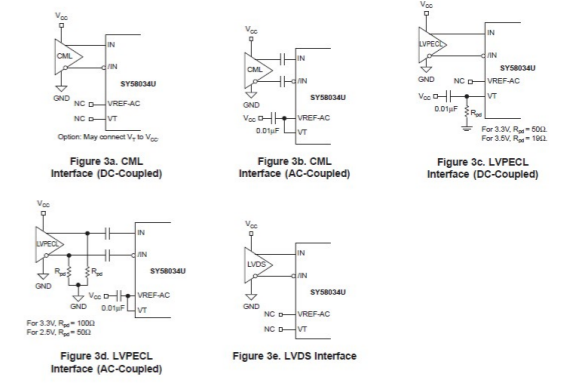
	NAME	DATE	SIGN	DRAWING TITLE L1TOPO
CHECKED	J. V. DE SOUZA			
CHECKED	U. SCHAEFER			
CHECKED	S. RAVE			
DRAWN	BAUSS			
BLOCK TITLE CLOCK CML FANOUT6 AC				
UNIVERSITY OF MAINZ		SIZE C	REV.	DRAWING NO.
SCALE				SHEET OF

REVISIONS				
ZONE	LTR	DESCRIPTION	DATE	APPR.

CLOCK CML FANOUT6 AC



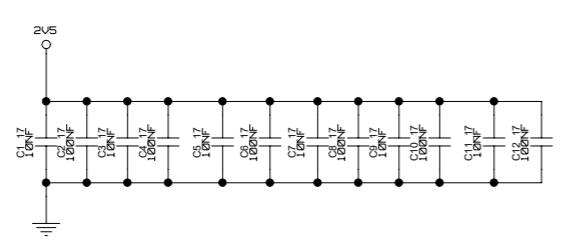
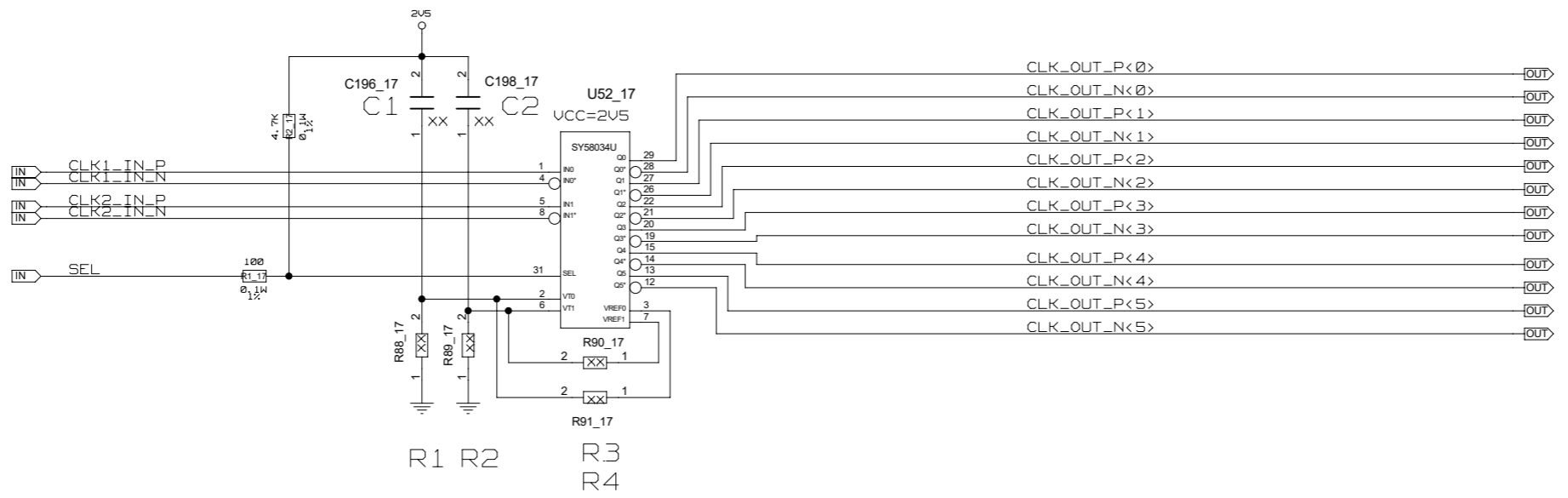
INPUT INTERFACE APPLICATIONS



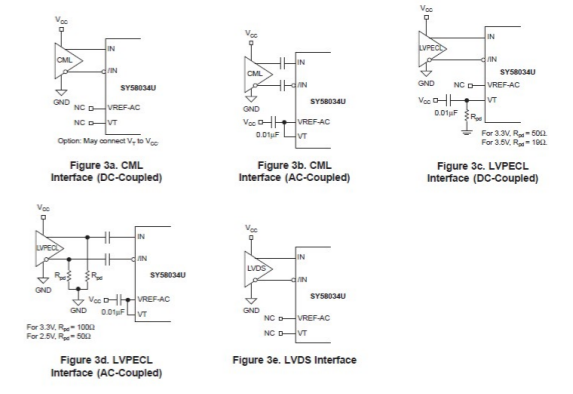
CHECKED	J. V. DE SOUZA			DRAWING TITLE L1TOPO		
CHECKED	U. SCHAEFER					
CHECKED	S. RAVE					
DRAWN	BAUSS					
BLOCK TITLE CLOCK CML FANOUT6 AC						
UNIVERSITY OF MAINZ				SIZE C	REV.	DRAWING NO.
				SCALE		SHEET OF

REVISIONS				
ZONE	LTR	DESCRIPTION	DATE	APPR.

CLOCK_CML_FANOUT6_DC



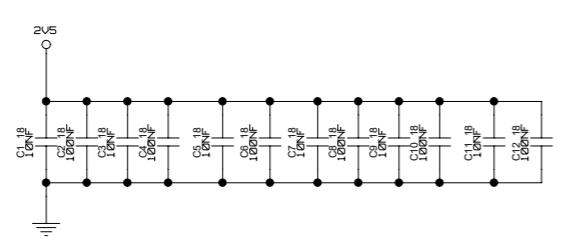
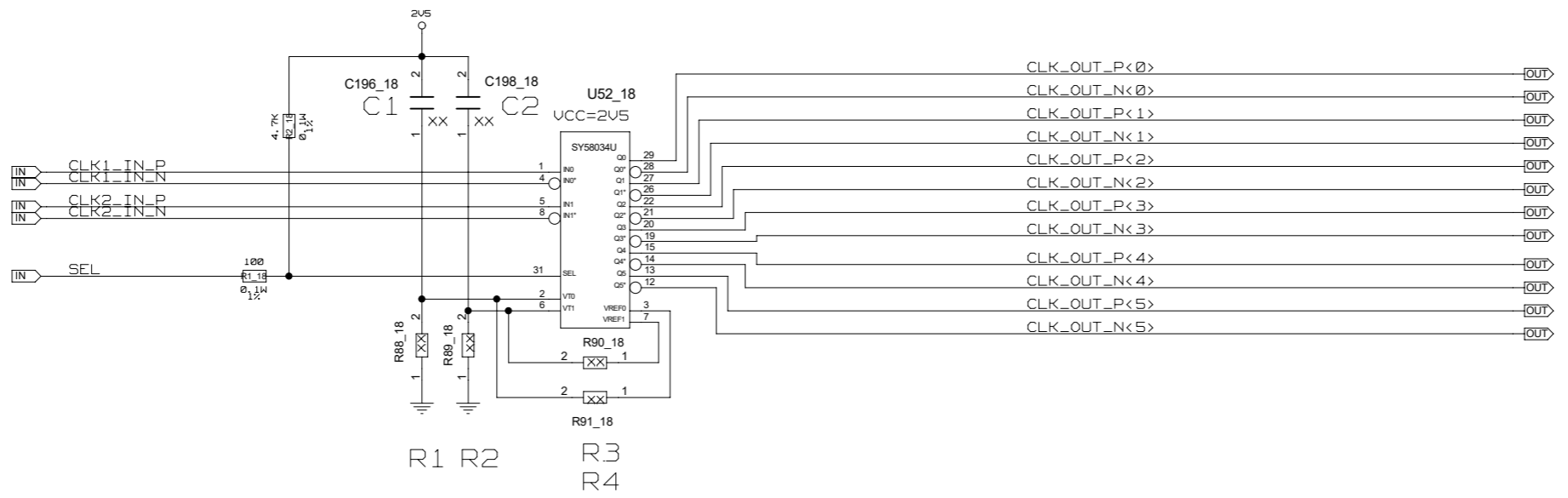
INPUT INTERFACE APPLICATIONS



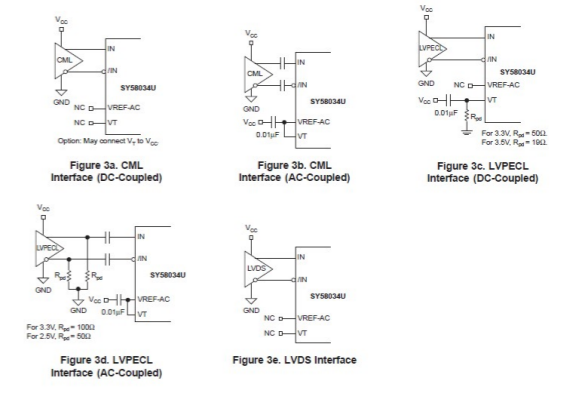
CHECKED	J. V. DE SOUZA			DRAWING TITLE L1TOPO	
CHECKED	U. SCHAEFER				
CHECKED	S. RAVE				
DRAWN	BAUSS				
BLOCK TITLE CLOCK_CML_FANOUT6_DC					
UNIVERSITY OF MAINZ			SIZE C	REV.	DRAWING NO.
SCALE			SHEET		OF

ZONE	LTR	DESCRIPTION	DATE	APPR.

CLOCK_CML_FANOUT6_DC



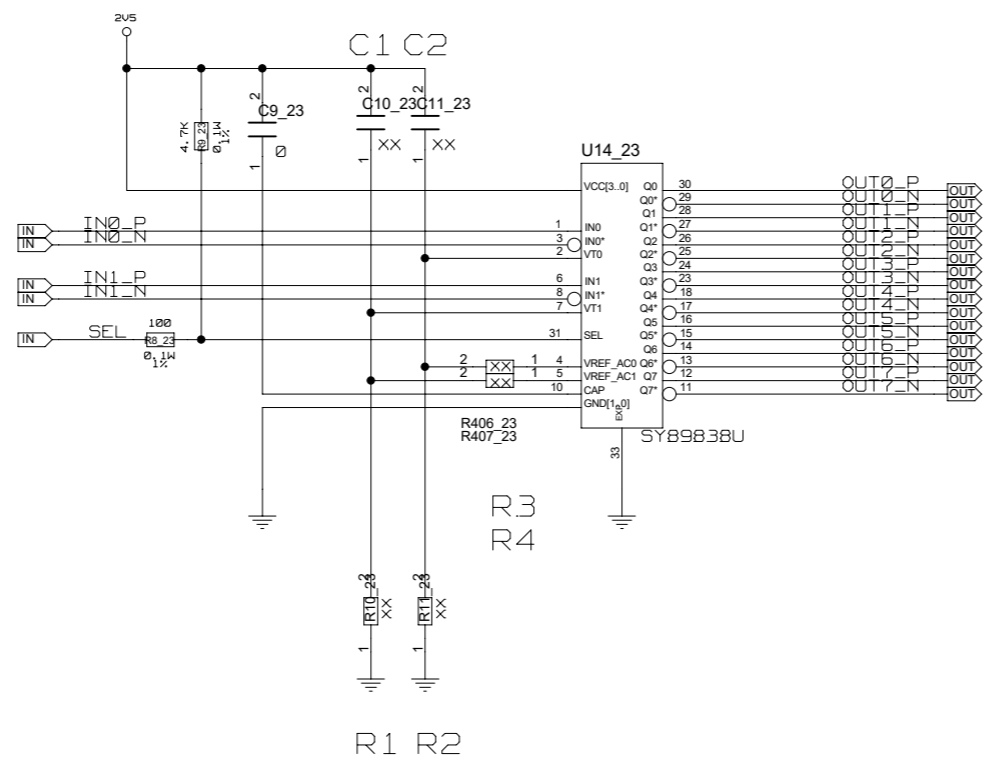
INPUT INTERFACE APPLICATIONS



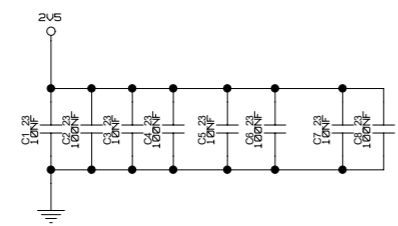
CHECKED	J. V. DE SOUZA			DRAWING TITLE L1TOPO		
CHECKED	U. SCHAEFER					
CHECKED	S. RAVE					
DRAWN	BAUSS					
BLOCK TITLE CLOCK_CML_FANOUT6_DC						
UNIVERSITY OF MAINZ				SIZE C	REV.	DRAWING NO.
				SCALE		SHEET OF

REVISIONS				
ZONE	LTR	DESCRIPTION	DATE	APPR.

CLOCK_LVDS_FANOUT8



OUT0_P	NA
OUT0_N	12_23
OUT1_P	NA
OUT1_N	11_23
OUT2_P	NA
OUT2_N	12_23
OUT3_P	NA
OUT3_N	13_23
OUT4_P	NA
OUT4_N	14_23
OUT5_P	NA
OUT5_N	15_23
OUT6_P	NA
OUT6_N	16_23
OUT7_P	NA
OUT7_N	17_23

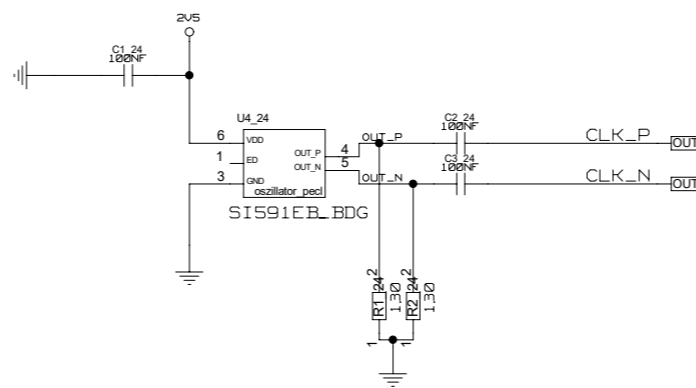


CHECKED	NAME	DATE	SIGN	DRAWING TITLE	
CHECKED	J. V. DE SOUZA			L1 TOPO	
CHECKED	U. SCHAEFER				
CHECKED	S. RAVE				
DRAWN	BAUSS				
BLOCK TITLE				SIZE	DRAWING NO.
CLOCK_LVDS_FANOUT8				C	REV.
UNIVERSITY OF MAINZ				SCALE	SHEET OF

REVISIONS

ZONE	LTR	DESCRIPTION	DATE	APPR.

CLOCK_LVPECL_SI591_AC

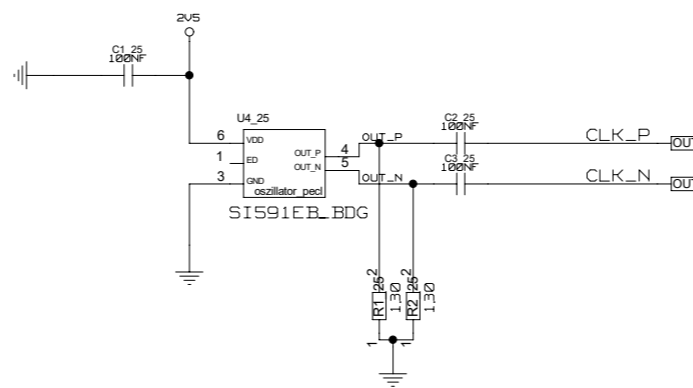


CHECKED	NAME	DATE	SIGN	DRAWING TITLE	
CHECKED	J. V. DE SOUZA			L1 TOPO	
CHECKED	U. SCHAEFER				
CHECKED	S. RAVE				
DRAWN	BAUSS				
BLOCK TITLE				SIZE	DRAWING NO.
CLOCK_LVPECLSI591_LAC				C	
UNIVERSITY OF MAINZ				SCALE	SHEET OF

REVISIONS

ZONE	LTR	DESCRIPTION	DATE	APPR.

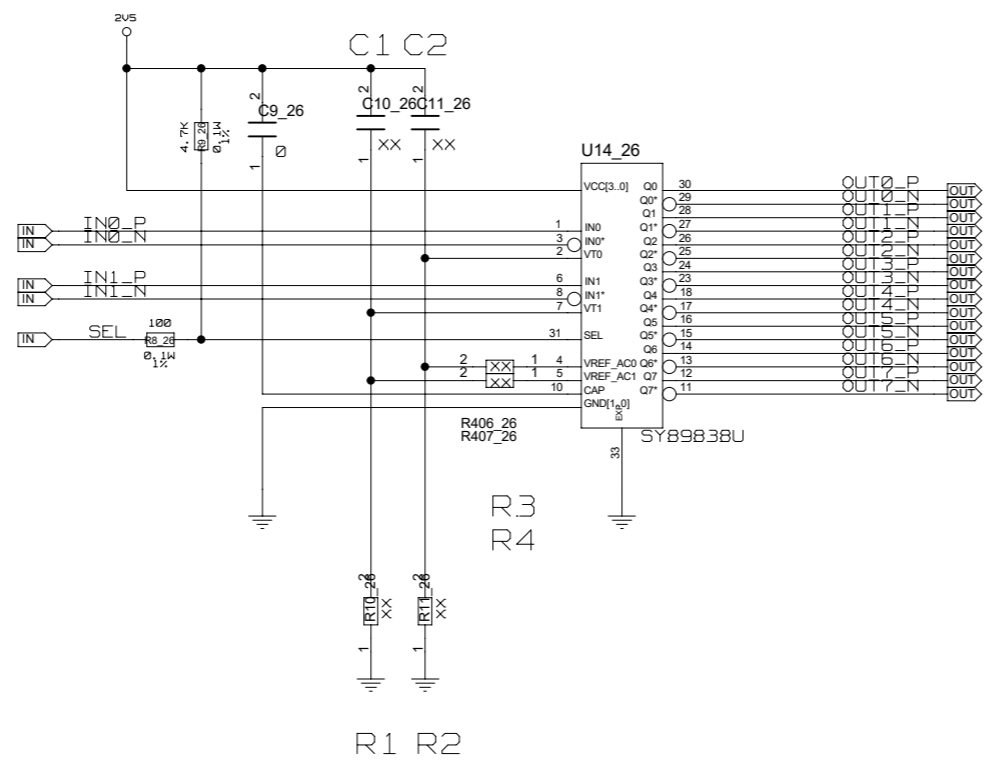
CLOCK_LVPECL_SI591_AC



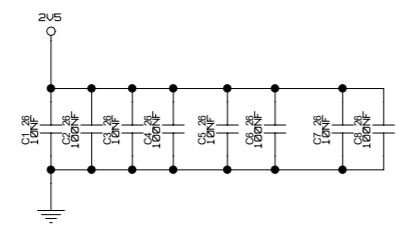
CHECKED	NAME	DATE	SIGN	DRAWING TITLE		
CHECKED	J. V. DE SOUZA			L1 TOPO		
CHECKED	U. SCHAEFER					
CHECKED	S. RAVE					
DRAWN	BAUSS					
BLOCK TITLE				SIZE	REV.	DRAWING NO.
CLOCK_LVPECLSI591_LAC				C		
UNIVERSITY OF MAINZ				SCALE		SHEET OF

REVISIONS				
ZONE	LTR	DESCRIPTION	DATE	APPR.

CLOCK_LVDS_FANOUT8



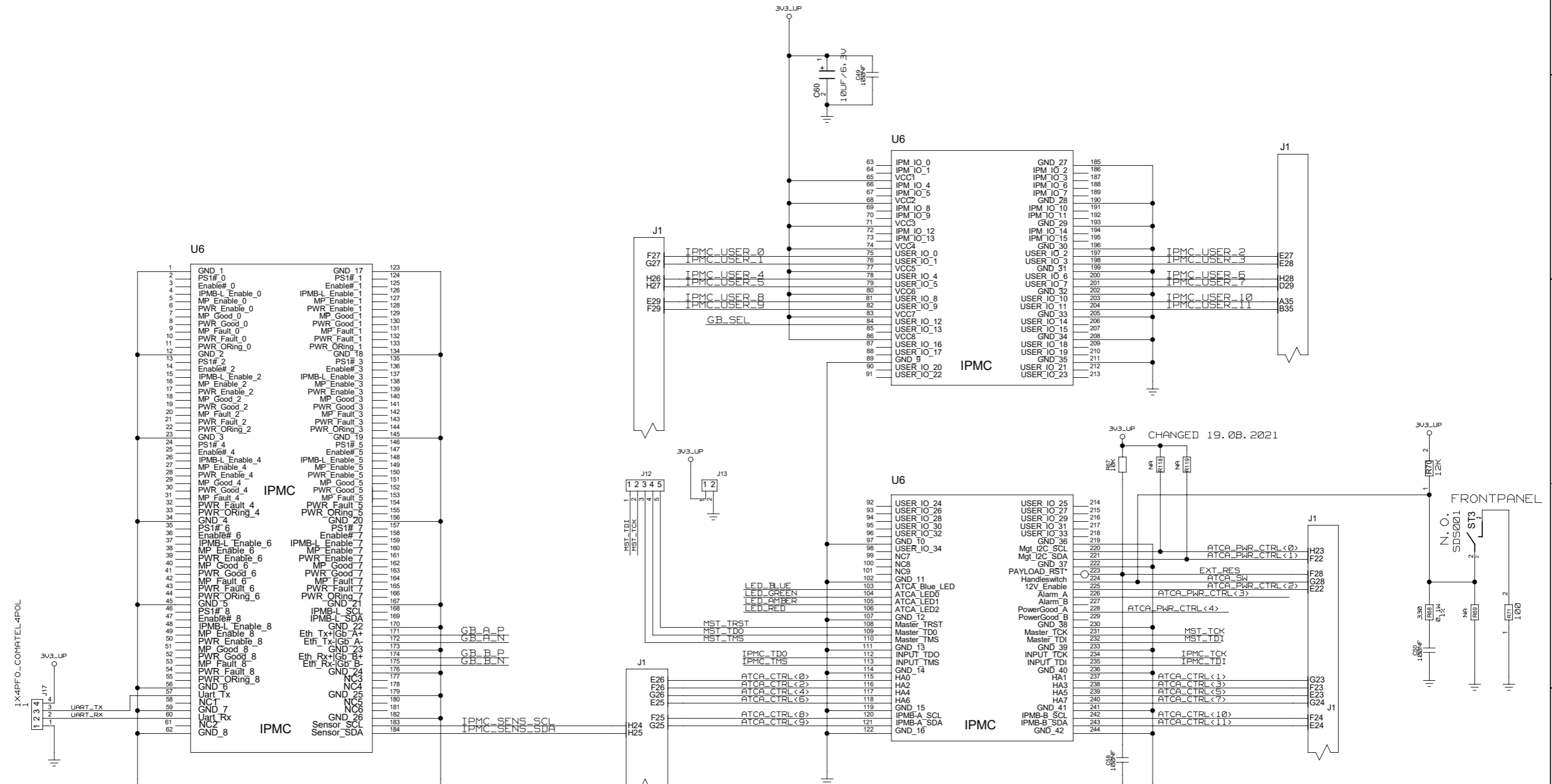
OUT0_P	NA
OUT0_N	12_28
OUT1_P	NA
OUT1_N	11_28
OUT2_P	NA
OUT2_N	12_28
OUT3_P	NA
OUT3_N	13_28
OUT4_P	NA
OUT4_N	14_28
OUT5_P	NA
OUT5_N	15_28
OUT6_P	NA
OUT6_N	16_28
OUT7_P	NA
OUT7_N	17_28



CHECKED	NAME	DATE	SIGN	DRAWING TITLE	
CHECKED	J. V. DE SOUZA			L1 TOPO	
CHECKED	U. SCHAEFER				
CHECKED	S. RAVE				
DRAWN	BAUSS				
BLOCK TITLE				SIZE	DRAWING NO.
CLOCK_LVDS_FANOUT8				C	REV.
UNIVERSITY OF MAINZ				SCALE	SHEET OF

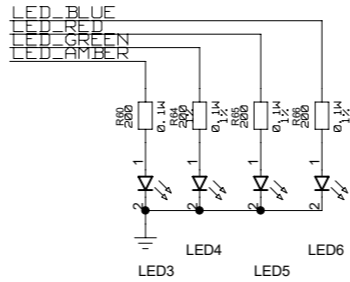
IPMC CONNECTOR MOLEX_87782-3003

REVISIONS				
ZONE	LTR	DESCRIPTION	DATE	APPR.



L1TOPO
 ATCA_HA<0..7> BACKPLANE + MEZZANINE
 ATCA_A/B_SCL/SDA BACKPLANE + MEZZANINE

ATCA_CTRL<11..0>
 ATCA_PWR_CTRL<4..0>

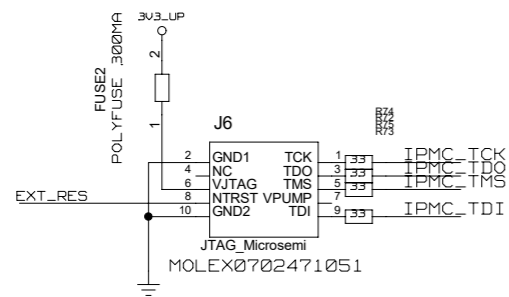


NAME	DATE	SIGN	DRAWING TITLE
CHECKED	J. V. DE SOUZA		L1TOPO
CHECKED	U. SCHAEFER		
CHECKED	S. RAVE		
DRAWN	BAUSS	30.10.2015	
BLOCK TITLE			
IPMC			
UNIVERSITY OF MAINZ			
SIZE	REV.	DRAWING NO.	
C			
SCALE		SHEET OF	

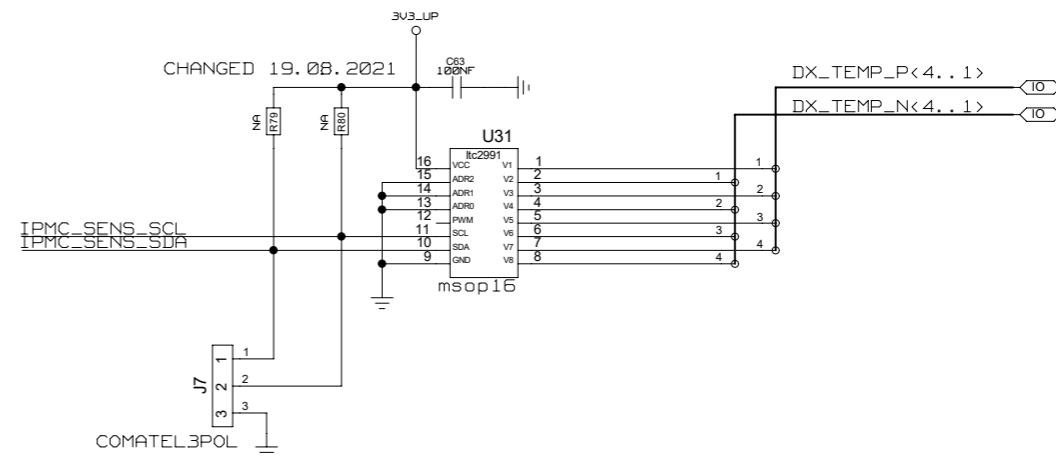
REVISIONS				
ZONE	LTR	DESCRIPTION	DATE	APPR.

IPMC CONTROL

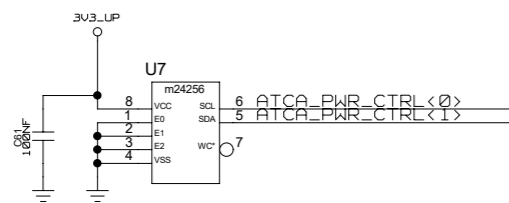
IPMC JTAG PORT FRONT PANEL



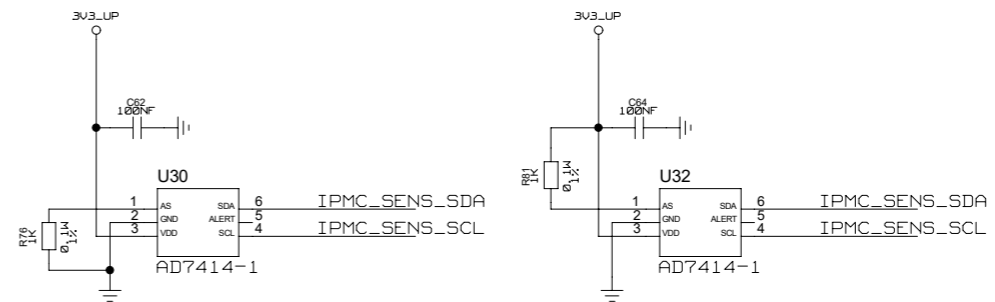
I2C FPGA TEMPERATURE



MEMORY



I2C BOARDTEMP

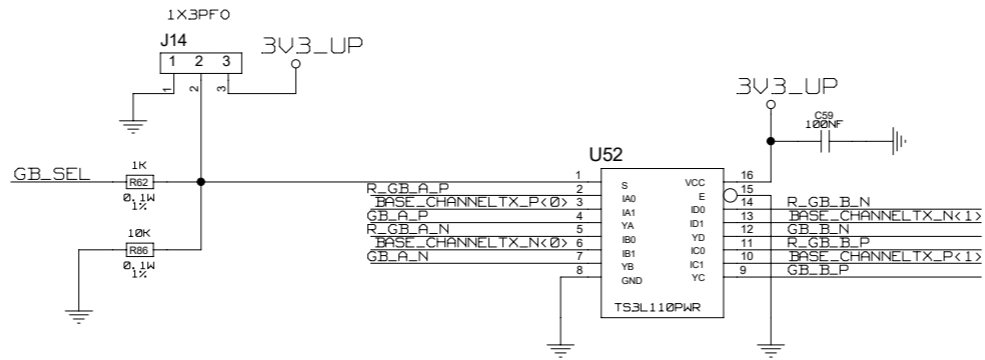


NAME	DATE	SIGN	DRAWING TITLE	
CHECKED J. V. DE SOUZA			L1 TOPO	
CHECKED U. SCHAEFER				
CHECKED S. RAVE				
DRAWN BAUSS	23.07.2015			
BLOCK TITLE			DRAWING NO.	
IPMC			SIZE	REV.
UNIVERSITY OF MAINZ			C	
SCALE			SHEET OF	

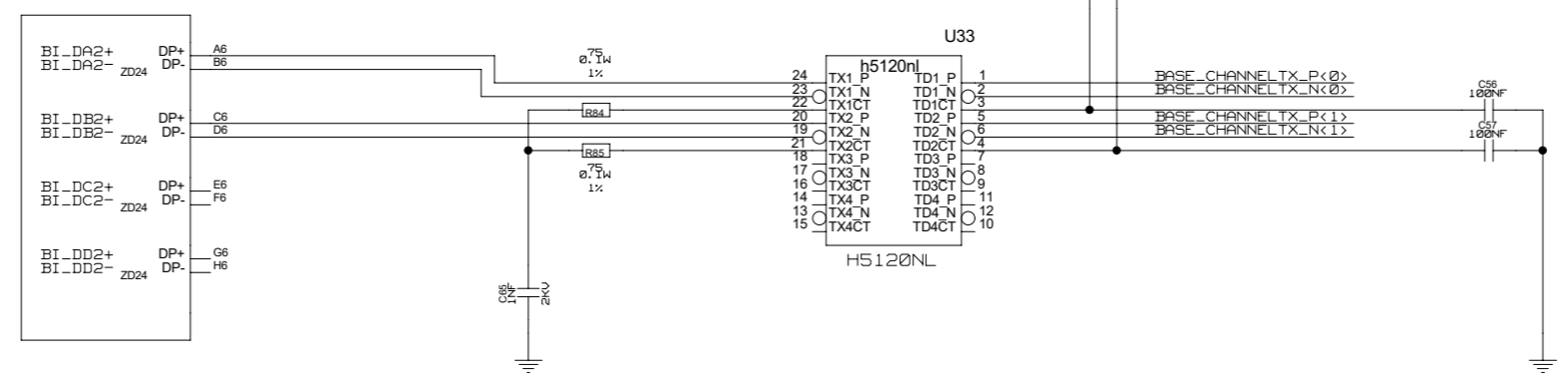
REVISIONS				
ZONE	LTR	DESCRIPTION	DATE	APPR.

IPMC CONTROL

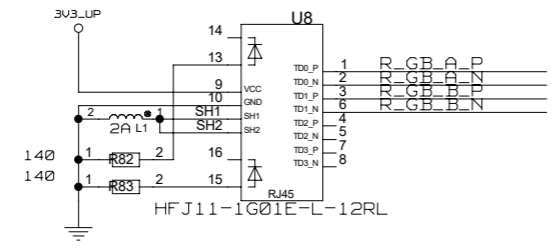
ETHERNET SWITCH



BACKPLANE BASE CHANNEL2



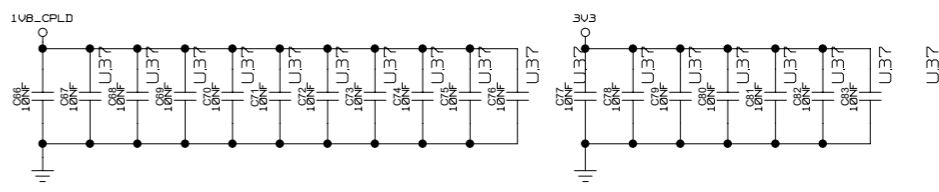
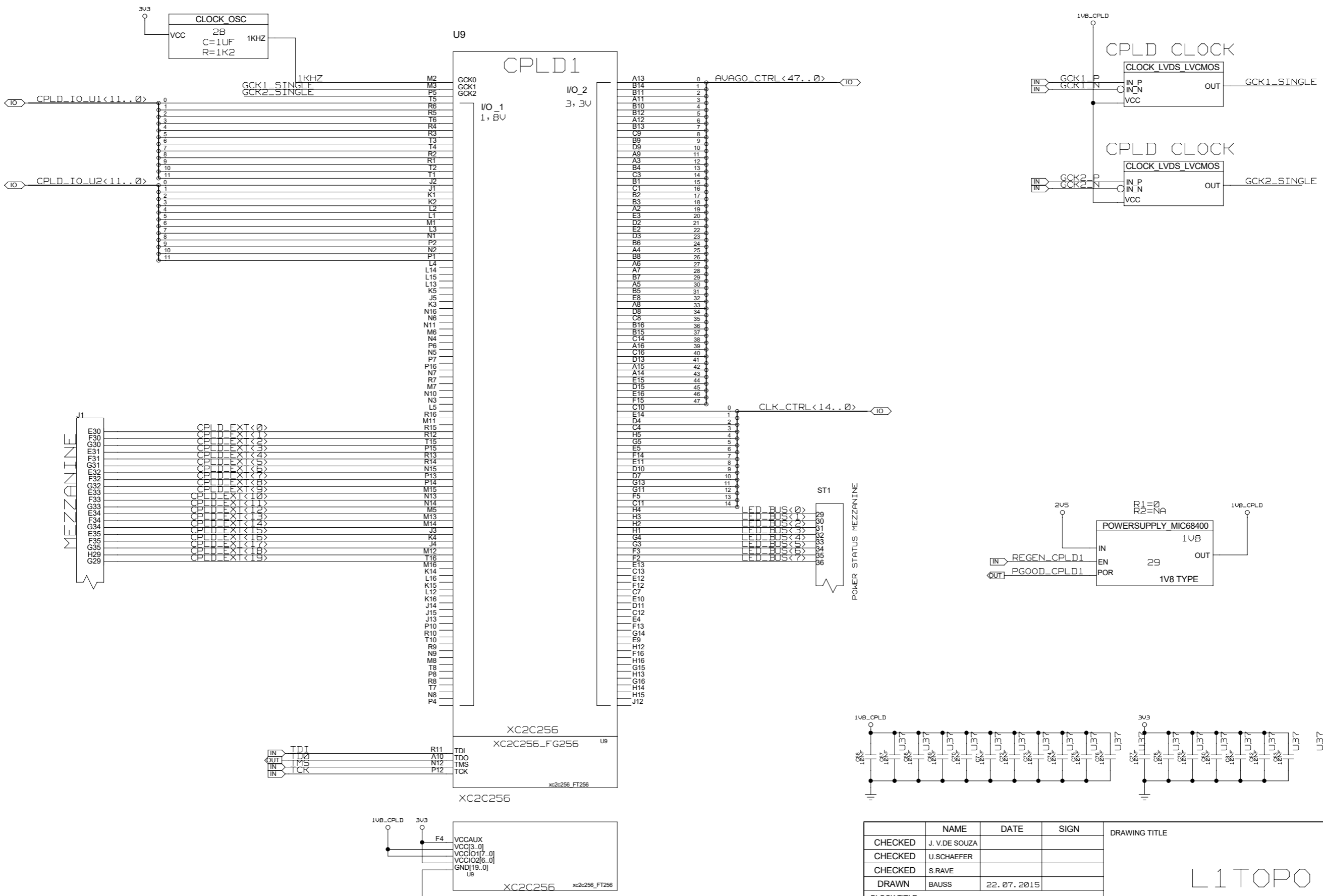
RJ45 FRONT PANEL



CHECKED	NAME	DATE	SIGN	DRAWING TITLE <h1>L1 TOPO</h1>
CHECKED	J. V. DE SOUZA			
CHECKED	U. SCHAEFER			
CHECKED	S. RAVE			
DRAWN	BAUSS			
BLOCK TITLE <h2>IPMC</h2>				
UNIVERSITY OF MAINZ				
SIZE C	REV.	DRAWING NO.		
SCALE			SHEET OF	

REVISIONS				
ZONE	LTR	DESCRIPTION	DATE	APPR.

CONTROL AND CONFIG CPLD

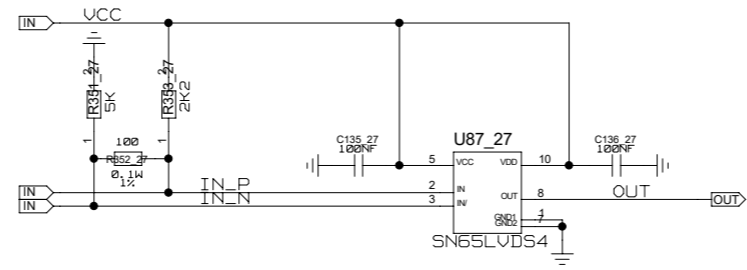


NAME	DATE	SIGN	DRAWING TITLE
CHECKED	J. V. DE SOUZA		L1 TOPO
CHECKED	U. SCHAEFER		
CHECKED	S. RAVE		
DRAWN	BAUSS	22.07.2015	

BLOCK TITLE		DRAWING NO.	
CPLD			
UNIVERSITY OF MAINZ		SIZE	REV.
		SCALE	SHEET 1 OF 1

REVISIONS				
ZONE	LTR	DESCRIPTION	DATE	APPR.

CLOCK_LVDS_LVCMOS

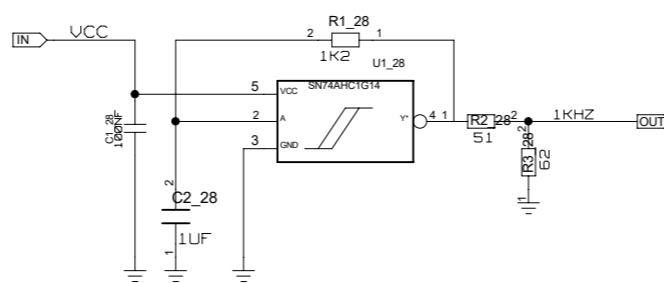


CHECKED	J. V. DE SOUZA	DATE	SIGN	DRAWING TITLE <h1>L1 TOPO</h1>	
CHECKED	U. SCHAEFER				
CHECKED	S. RAVE				
DRAWN	BAUSS				
BLOCK TITLE <h2>CLOCK_LVDS_LVCMOS</h2>					
UNIVERSITY OF MAINZ				SIZE C	DRAWING NO.
				SCALE	SHEET OF

REVISIONS

ZONE	LTR	DESCRIPTION	DATE	APPR.

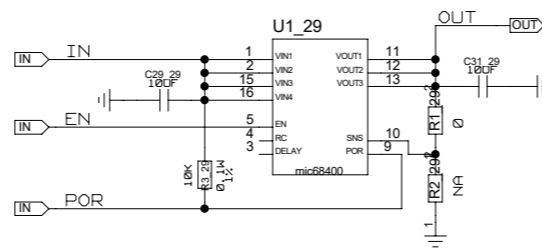
CLOCK_OSC



CHECKED	NAME	DATE	SIGN	DRAWING TITLE	
CHECKED	J. V. DE SOUZA			L1TOPO	
CHECKED	U. SCHAEFER				
CHECKED	S. RAVE				
DRAWN	BAUSS				
BLOCK TITLE				SIZE	DRAWING NO.
UNIVERSITY OF MAINZ				C	REV.
				SCALE	SHEET OF

REVISIONS				
ZONE	LTR	DESCRIPTION	DATE	APPR.

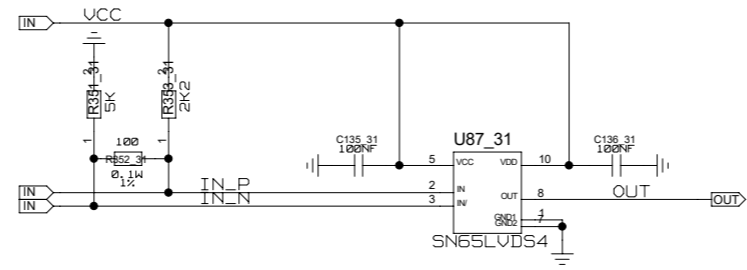
POWERSUPPLY_MIC68400



CHECKED	NAME	DATE	SIGN	DRAWING TITLE	
CHECKED	J. V. DE SOUZA			L1 TOPO	
CHECKED	U. SCHAEFER				
CHECKED	S. RAVE				
DRAWN	BAUSS				
BLOCK TITLE				DRAWING NO.	
POWERSUPPLY_MIC68400				SCALE	SHEET OF
UNIVERSITY OF MAINZ				SIZE C	REV.

REVISIONS				
ZONE	LTR	DESCRIPTION	DATE	APPR.

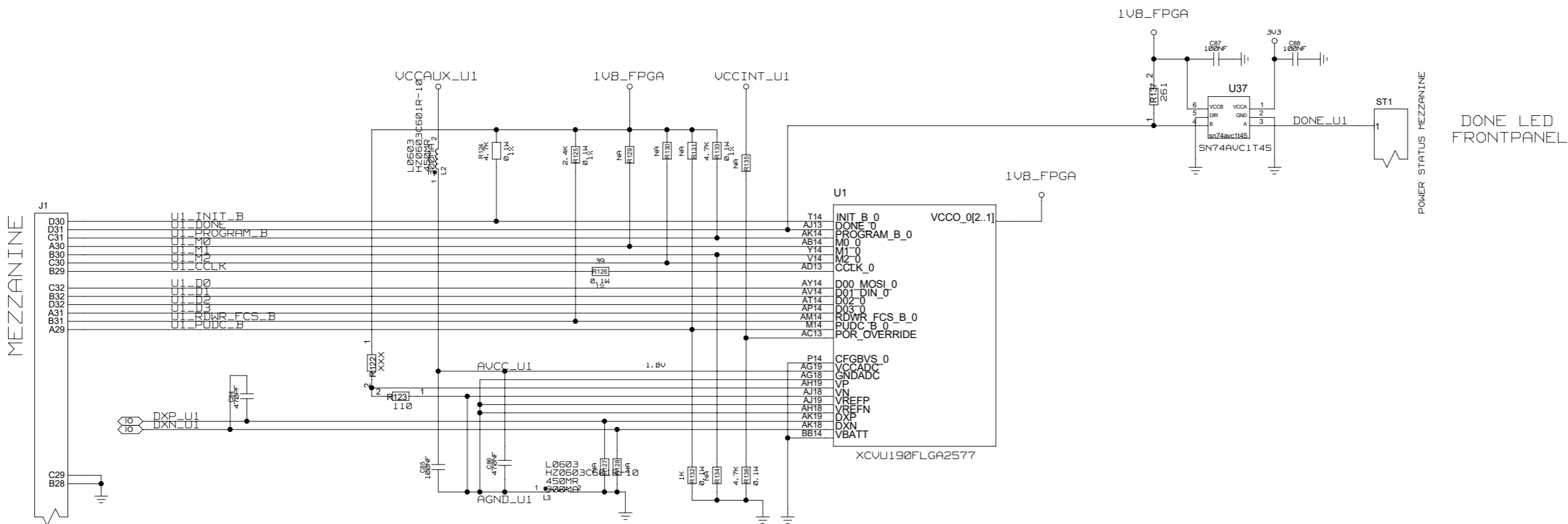
CLOCK_LVDS_LVCMOS



CHECKED	J. V. DE SOUZA	DATE	SIGN	DRAWING TITLE <h1>L1 TOPO</h1>
CHECKED	U. SCHAEFER			
CHECKED	S. RAVE			
DRAWN	BAUSS			
BLOCK TITLE CLOCK_LVDS_LVCMOS				
UNIVERSITY OF MAINZ				SIZE C
				REV.
				DRAWING NO.
SCALE				SHEET OF

REVISIONS			
ZONE	LTR	DESCRIPTION	DATE

CONFIG U1

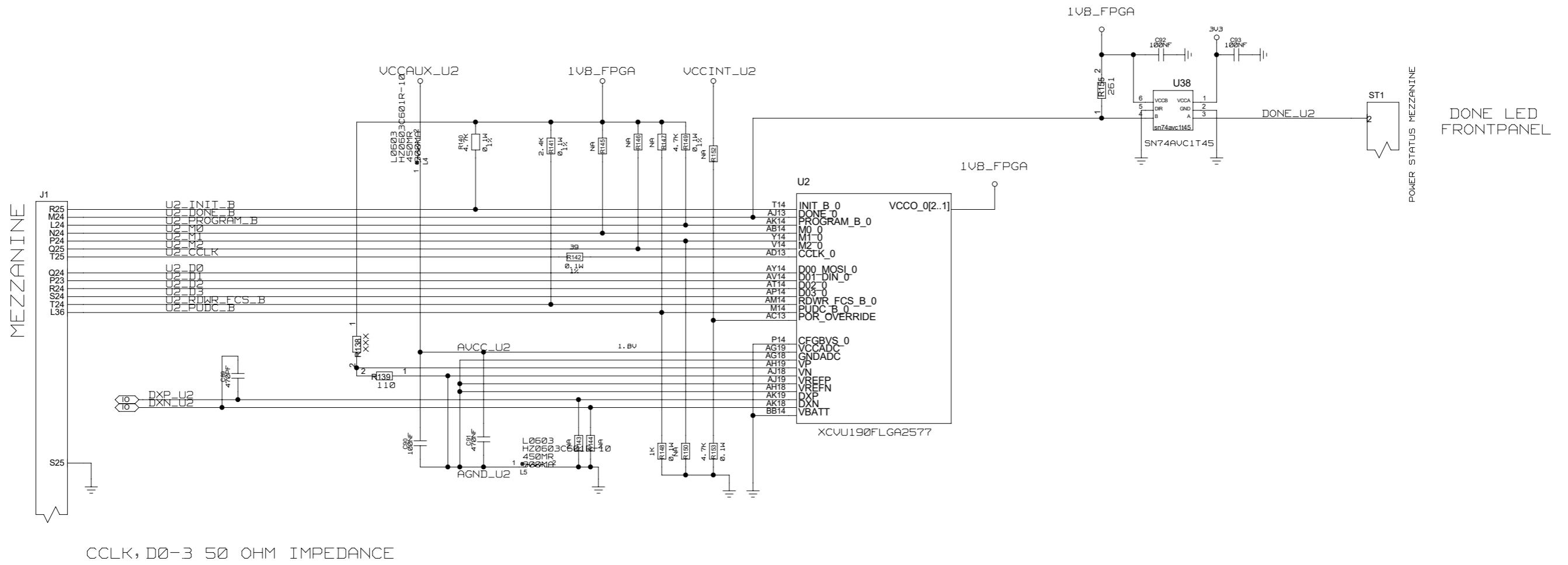


CCLK, D0-3 50 OHM IMPEDANCE

CHECKED	NAME	DATE	SIGN	DRAWING TITLE	
CHECKED	J. V. DE SOUZA			L1 TOPO	
CHECKED	U. SCHAEFER				
CHECKED	S. RAVE				
DRAWN	BAUSS	17.09.2015			
BLOCK TITLE				SIZE	DRAWING NO.
CONFIGURATION PROCESSOR U1				C	
UNIVERSITY OF MAINZ				SCALE	SHEET 1 OF 1

REVISIONS				
ZONE	LTR	DESCRIPTION	DATE	APPR.

CONFIG U2



CCLK, D0-3 50 OHM IMPEDANCE

	NAME	DATE	SIGN	DRAWING TITLE
CHECKED	J. V. DE SOUZA			
CHECKED	U. SCHAEFER			
CHECKED	S. RAVE			
DRAWN	BAUSS			
BLOCK TITLE				DRAWING NO.
UNIVERSITY OF MAINZ				
SIZE	REV.	DRAWING NO.		
SCALE			SHEET OF	

L1 TOPO

REVISIONS				
ZONE	LTR	DESCRIPTION	DATE	APPR.

IPBUS

BACKPLANE BASE CHANNEL 1

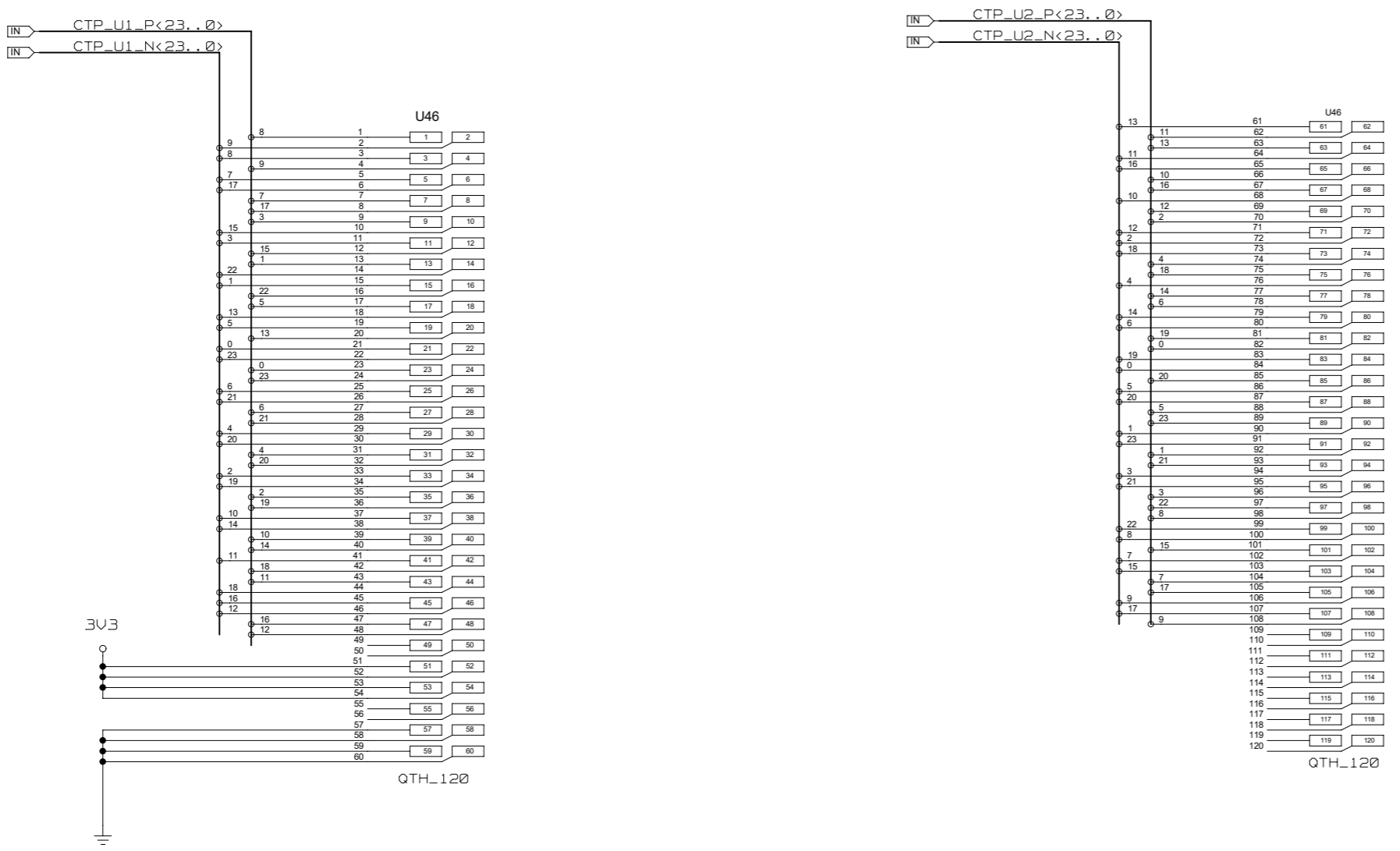
MEZZANINE



CHECKED	J. V. DE SOUZA			DRAWING TITLE <h1>L1 TOPO</h1>
CHECKED	U. SCHAEFER			
CHECKED	S. RAVE			
DRAWN	BAUSS	05. 11. 2015		
BLOCK TITLE <h1>IPBUS</h1>				
UNIVERSITY OF MAINZ				SIZE C
				REV.
				DRAWING NO.
				SCALE
				SHEET OF

REVISIONS				
ZONE	LTR	DESCRIPTION	DATE	APPR.

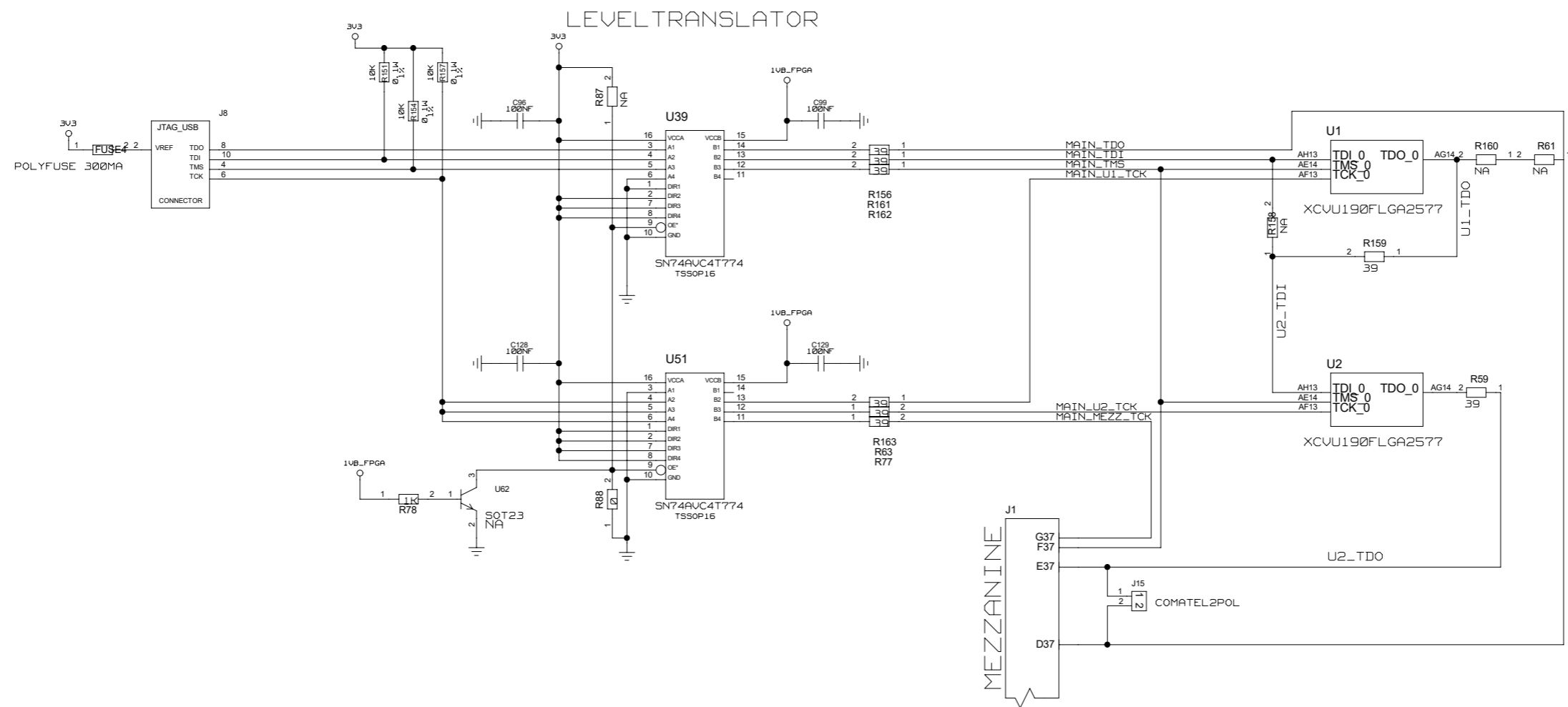
CONNECTOR CTP MEZZ



CHECKED	J. V. DE SOUZA	DATE	SIGN	DRAWING TITLE <h1>L1 TOPO</h1>
CHECKED	U. SCHAEFER			
CHECKED	S. RAVE			
DRAWN	BAUSS			
BLOCK TITLE <h2>CTP_MEZZ</h2>				SIZE C
UNIVERSITY OF MAINZ				REV.
SCALE				DRAWING NO.
SHEET				OF

REVISIONS				
ZONE	LTR	DESCRIPTION	DATE	APPR.

JTAG CHAIN



NAME	DATE	SIGN	DRAWING TITLE	
CHECKED J. V. DE SOUZA			L1 TOPO	
CHECKED U. SCHAEFER				
CHECKED S. RAVE				
DRAWN BAUSS	08.06.2017			
BLOCK TITLE			JTAG	
UNIVERSITY OF MAINZ			SIZE C	DRAWING NO.
SCALE			REV.	SHEET OF