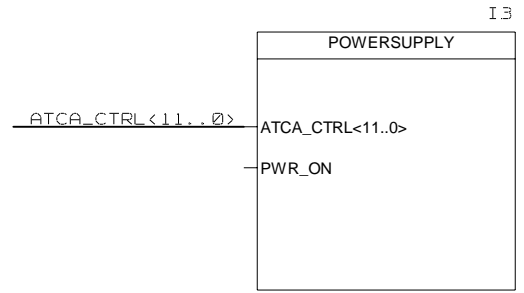
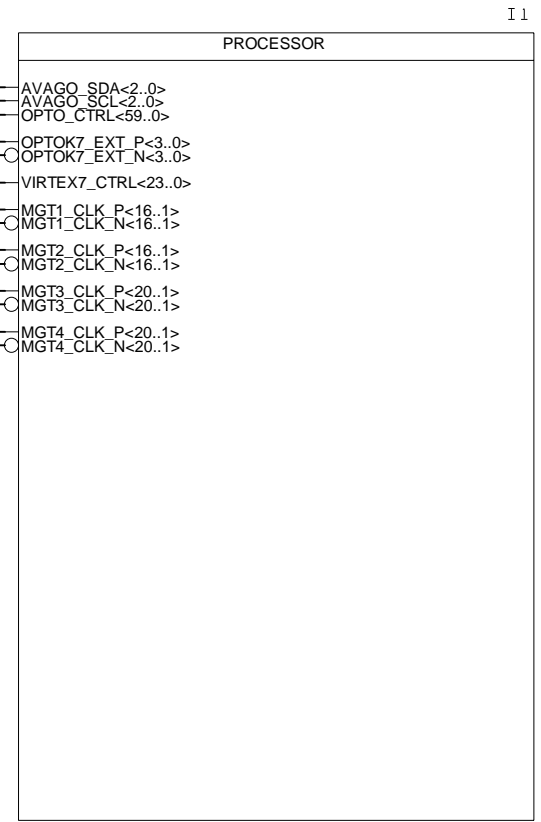
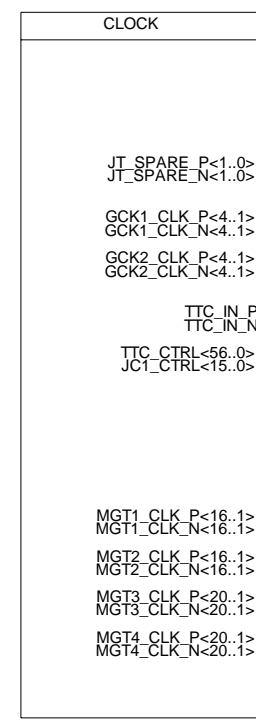
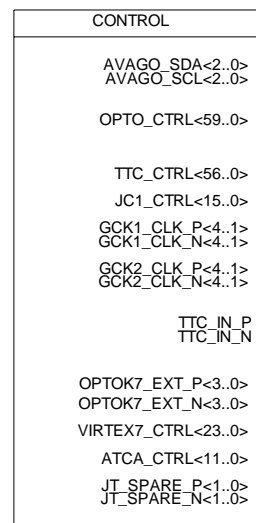


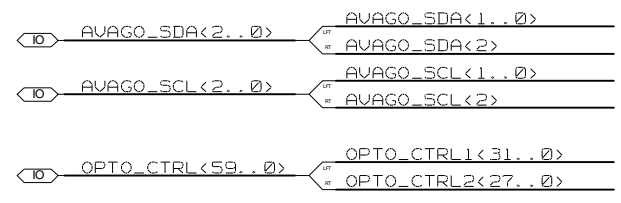
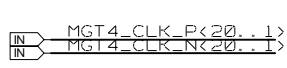
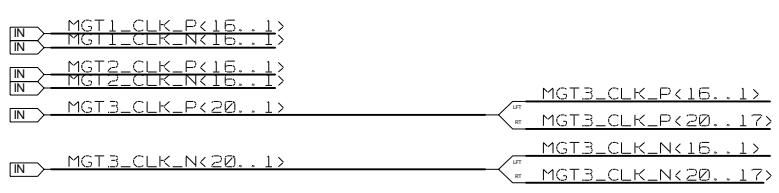
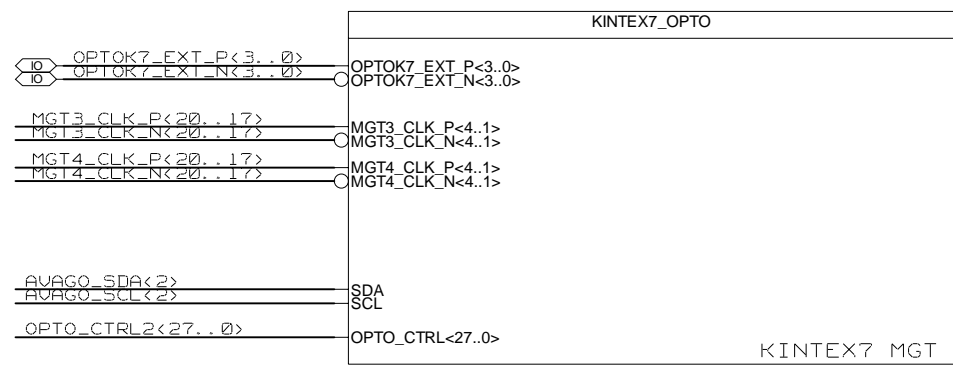
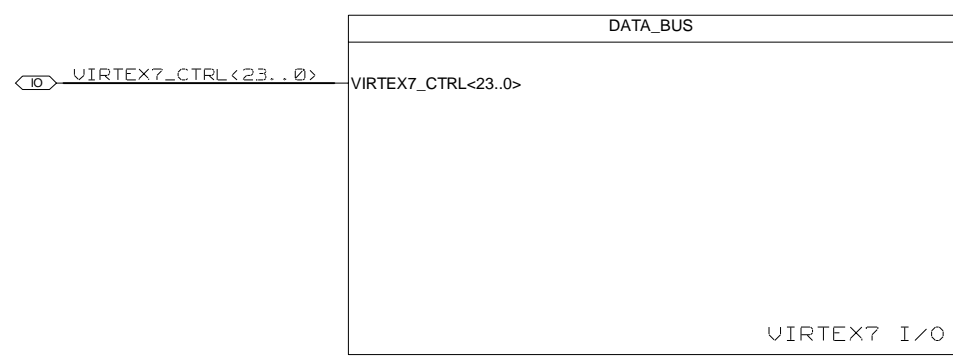
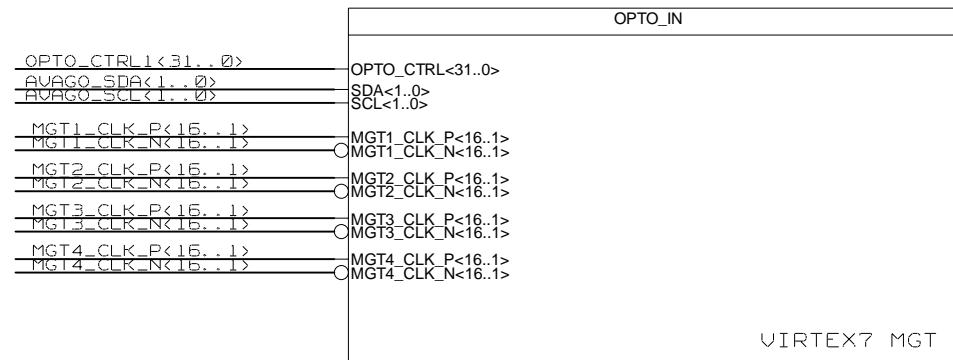
REVISIONS				
ZONE	LTR	DESCRIPTION	DATE	APPR.



UNIVERSITY OF MAINZ

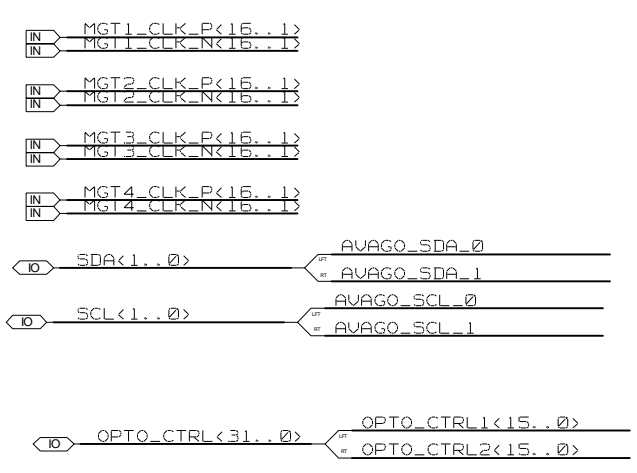
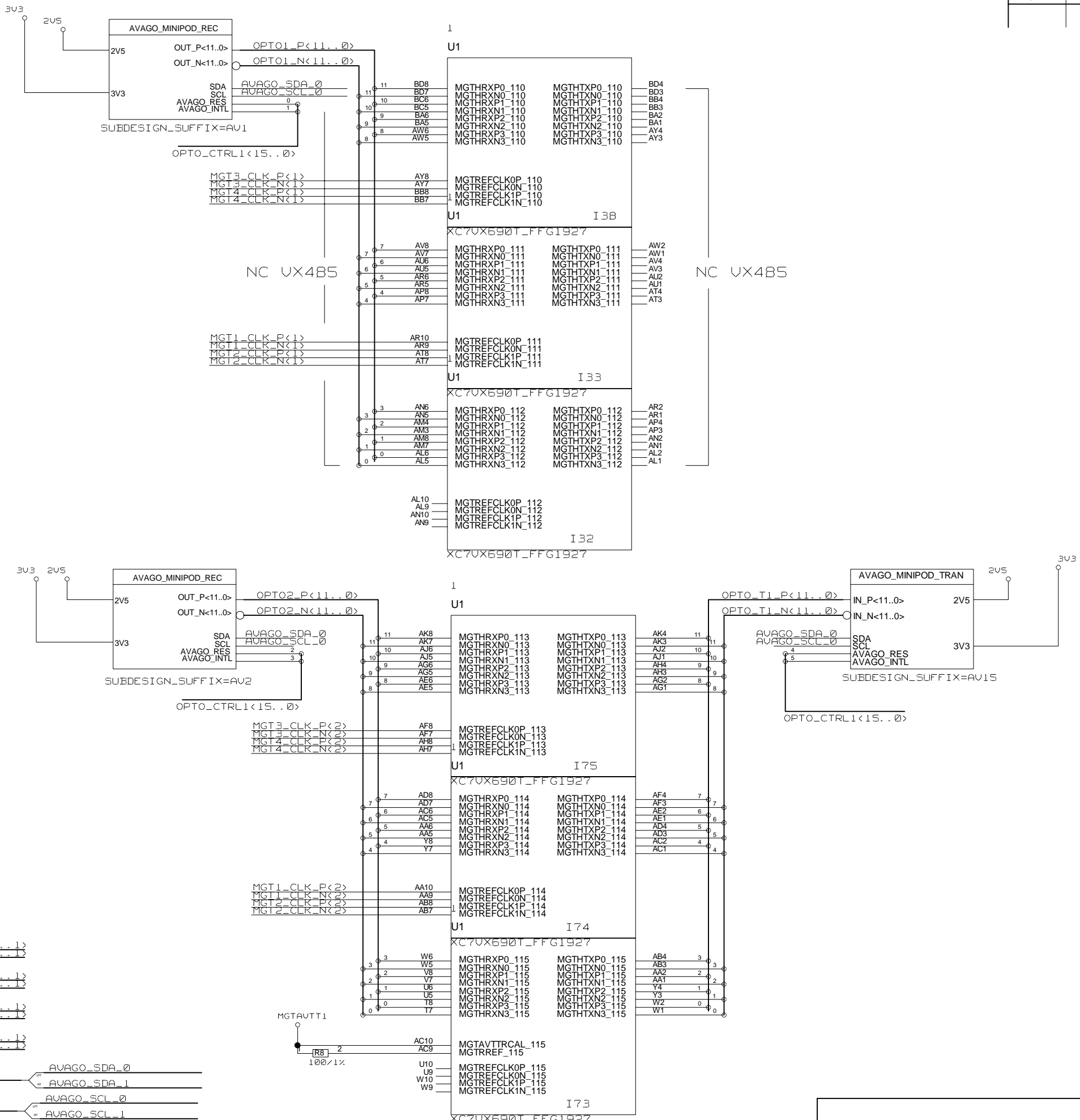
DRAWING TITLE			
L1TOPO PROTOTYPE			
SIZE	REV.	DRAWING NO.	
C			
SCALE			SHEET OF

REVISIONS				
ZONE	LTR	DESCRIPTION	DATE	APPR.



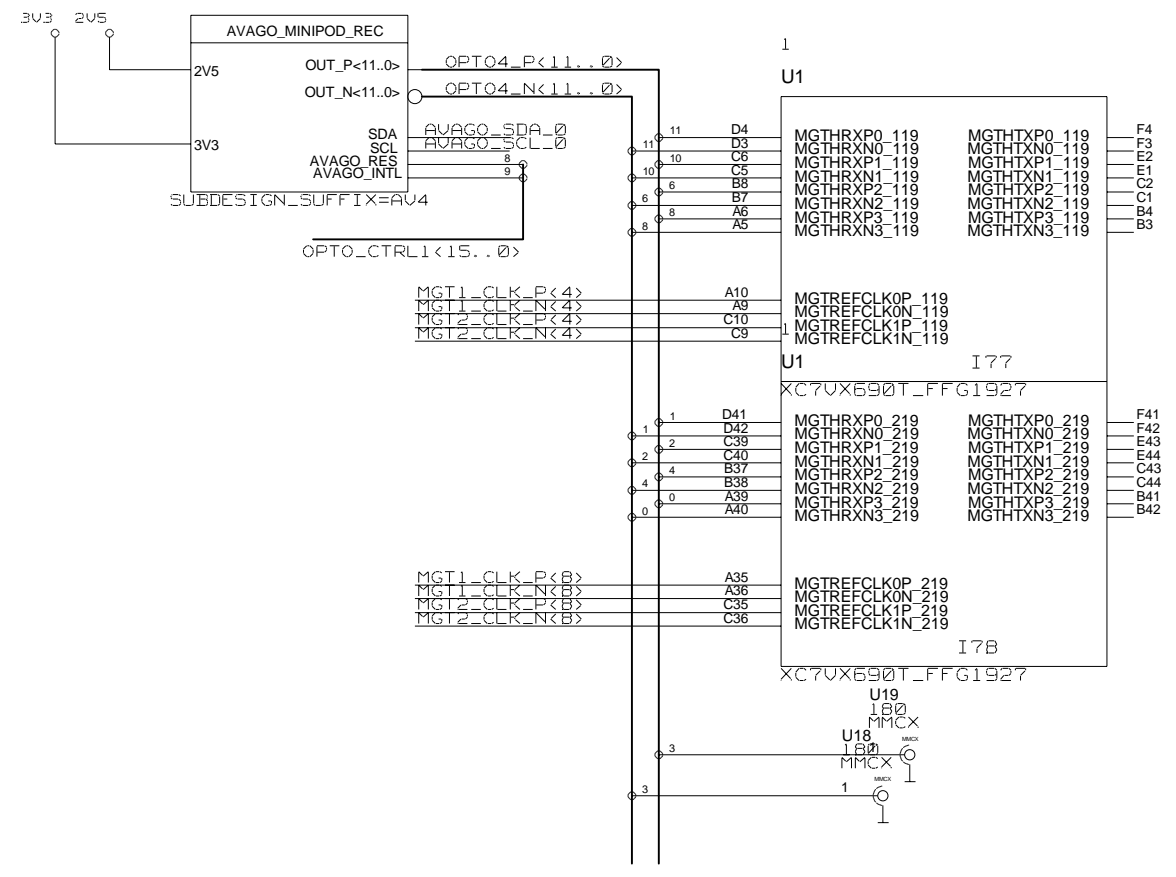
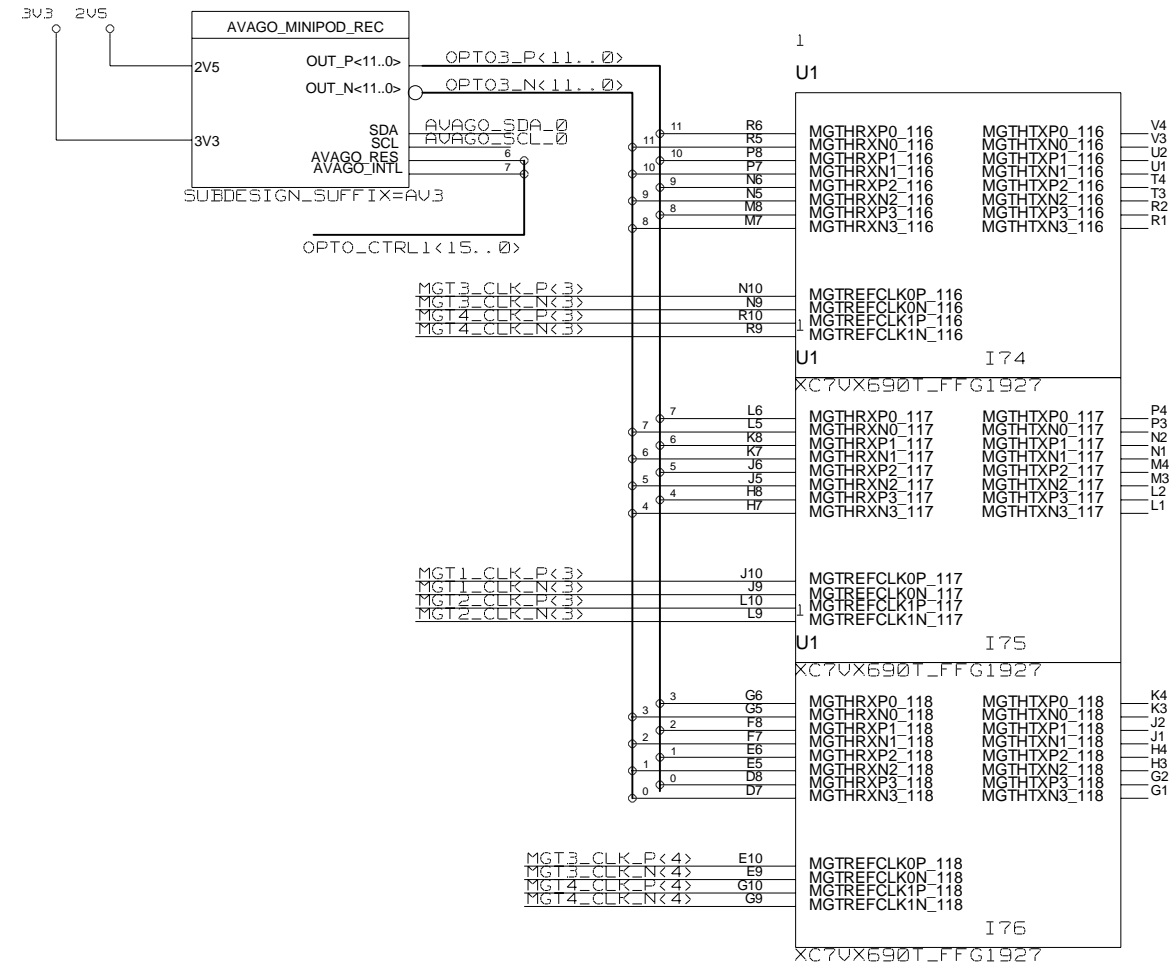
UNIVERSITY OF MAINZ	DRAWING TITLE		
	OPTO INPUT		
BLOCK: PROCESSOR	SIZE	REV.	DRAWING NO.
	<b>C</b>		
SCALE			SHEET OF

REVISIONS				
ZONE	LTR	DESCRIPTION	DATE	APPR.



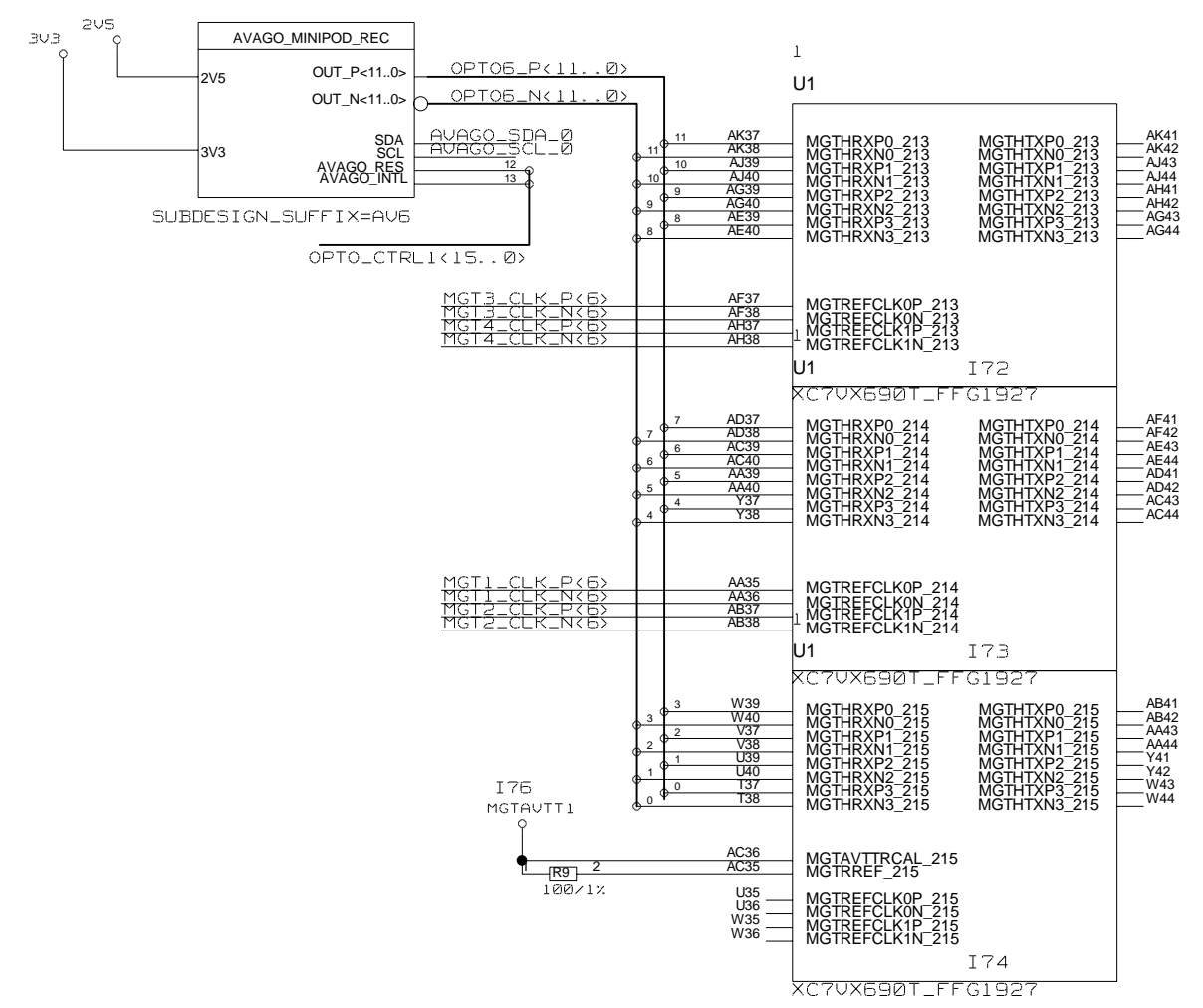
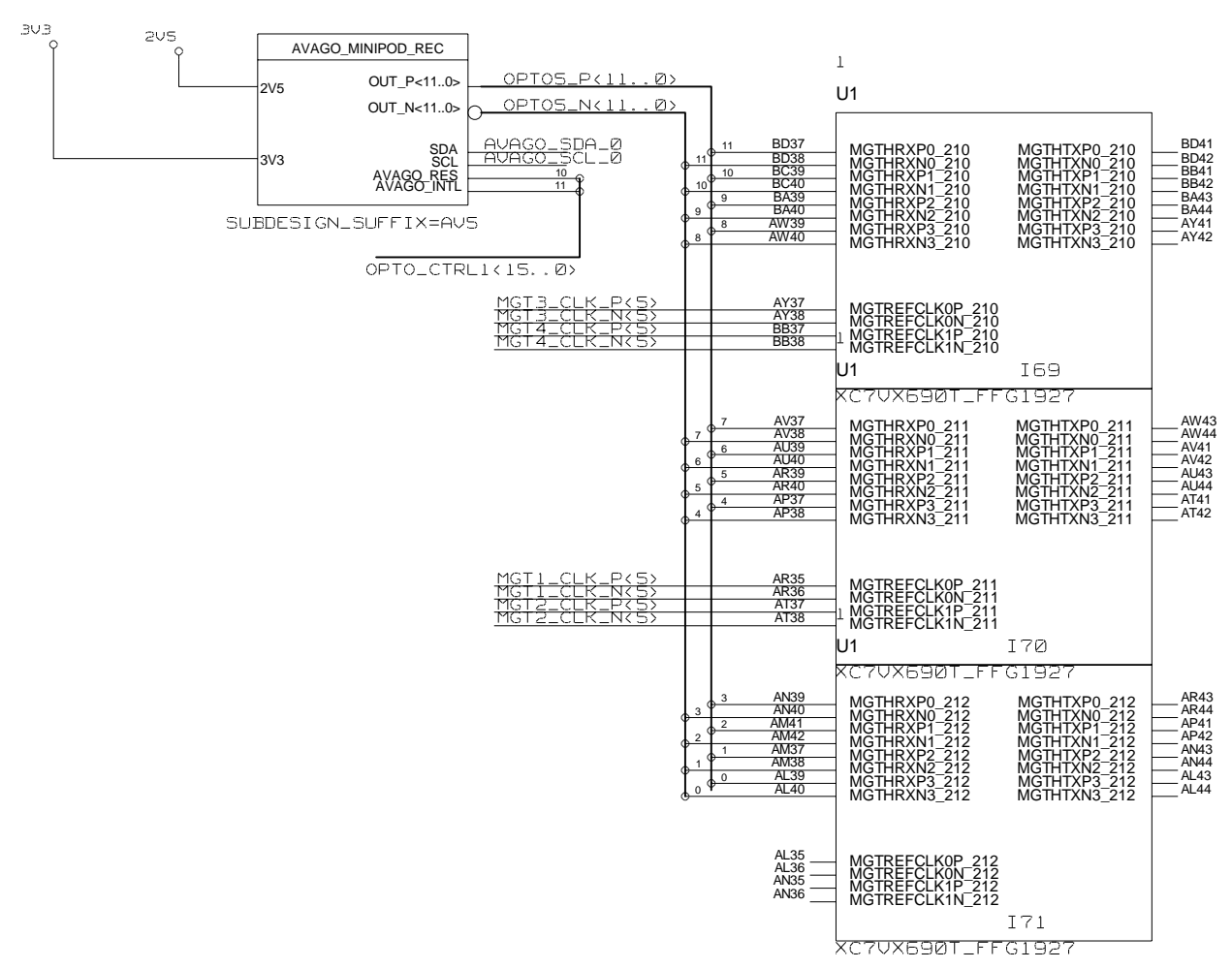
UNIVERSITY OF MAINZ	DRAWING TITLE		
	OPTO INPUT OPTO OUTPUT		
BLOCK: PROCESSOR OPTO_IN	SIZE <b>C</b>	REV.	DRAWING NO.
SCALE	SHEET		OF

REVISIONS				
ZONE	LTR	DESCRIPTION	DATE	APPR.



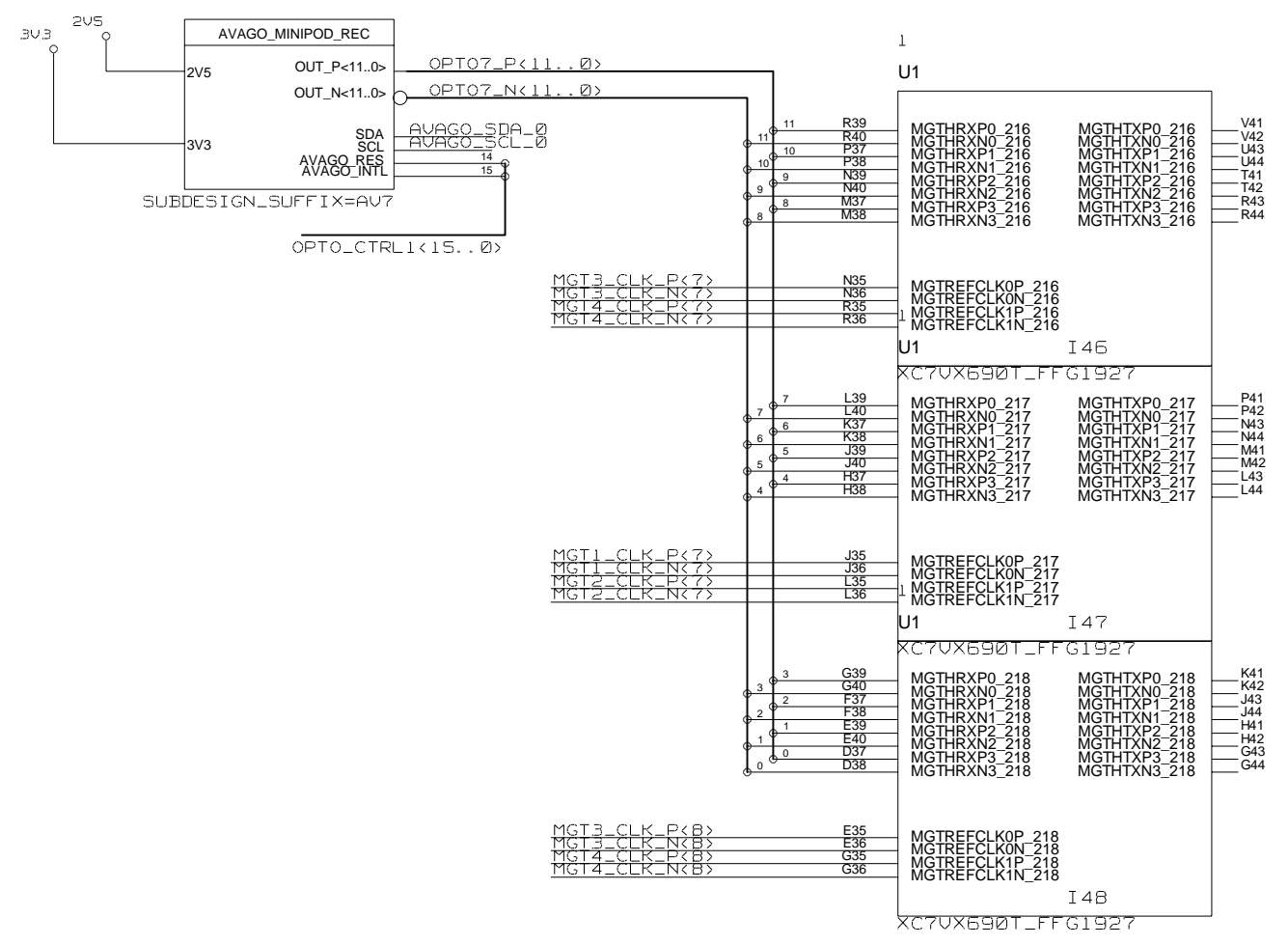
UNIVERSITY OF MAINZ		DRAWING TITLE	
BLOCK: PROCESSOR OPTO_IN		OPTO INPUT	
SIZE	REV.	DRAWING NO.	
C			
SCALE		SHEET OF	

REVISIONS				
ZONE	LTR	DESCRIPTION	DATE	APPR.



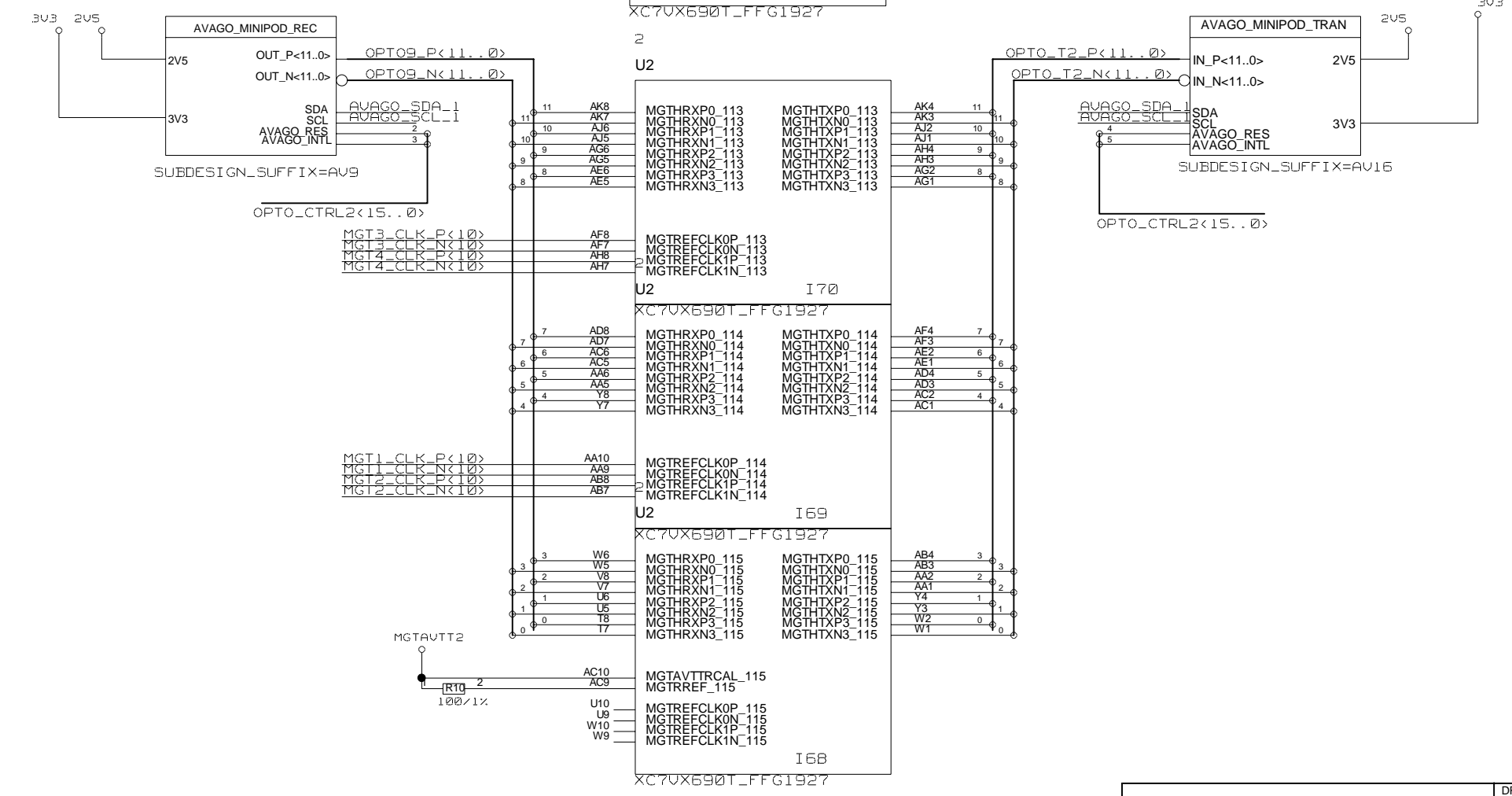
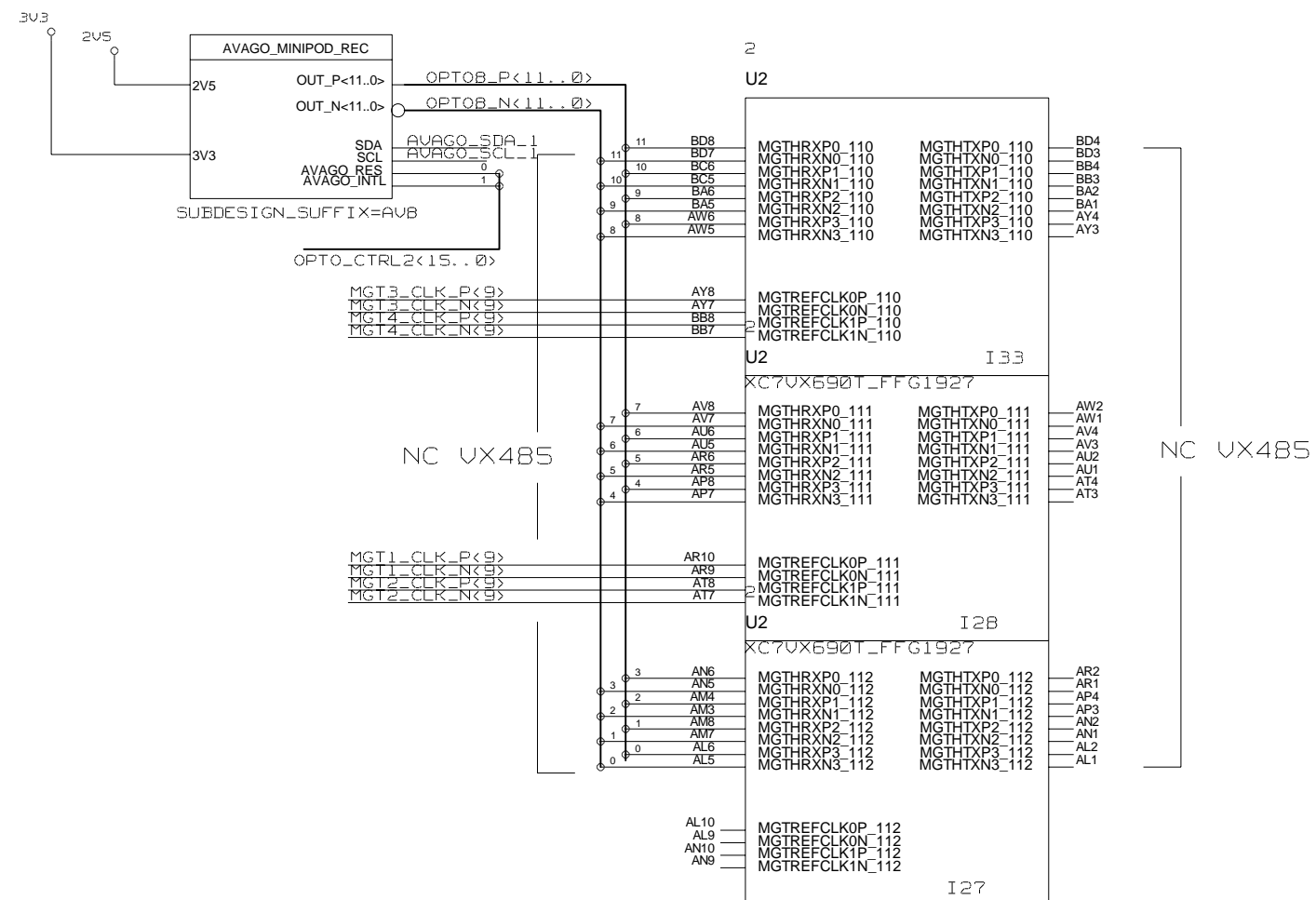
UNIVERSITY OF MAINZ		DRAWING TITLE	
BLOCK: PROCESSOR OPTO_IN		OPTO INPUT	
SIZE	REV.	DRAWING NO.	
C			
SCALE		SHEET OF	

REVISIONS				
ZONE	LTR	DESCRIPTION	DATE	APPR.



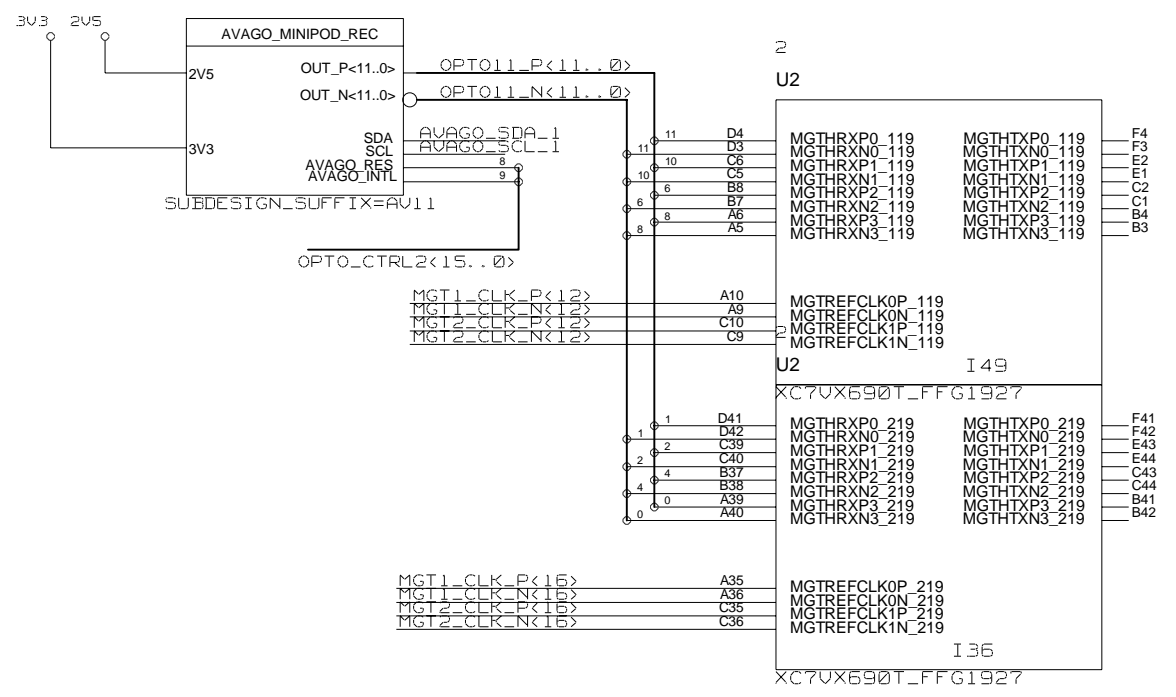
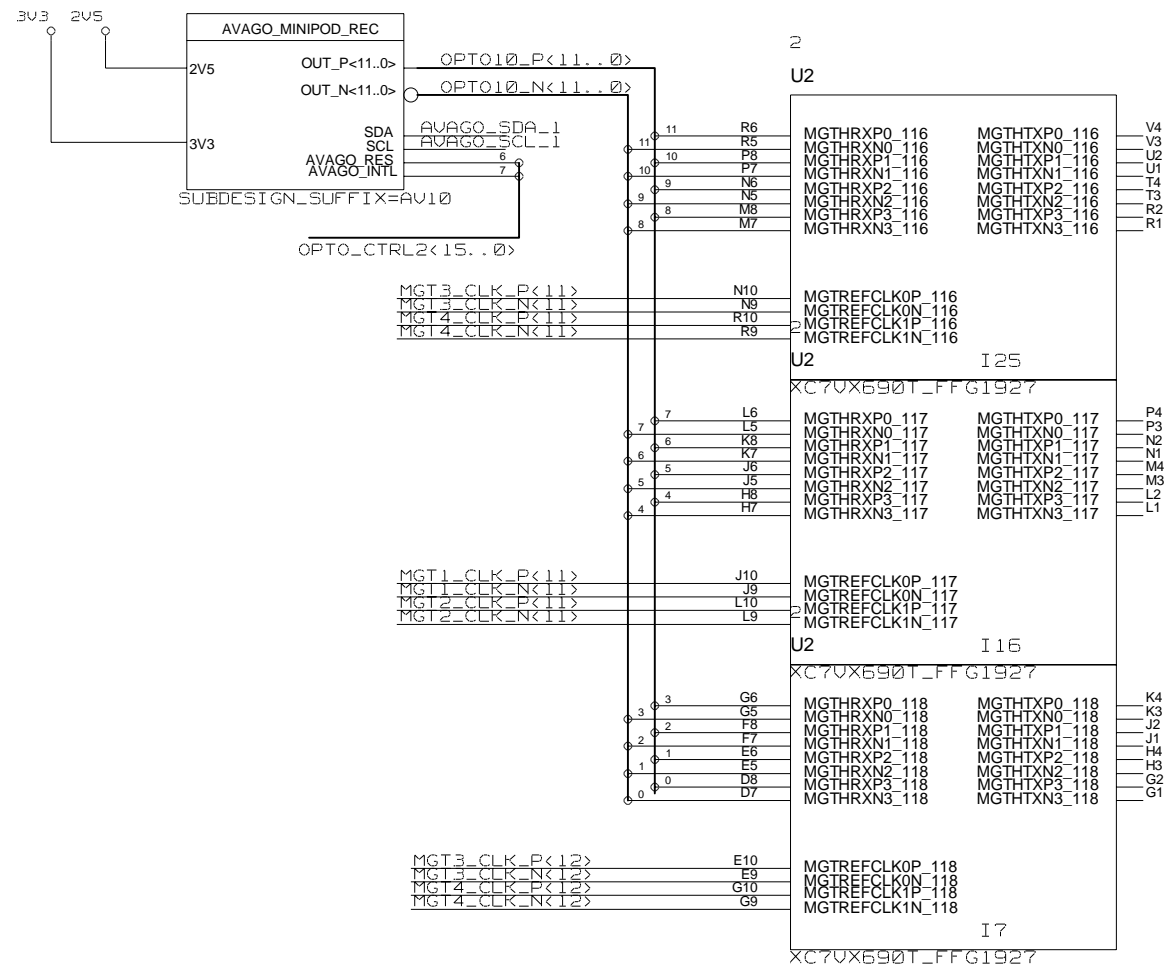
UNIVERSITY OF MAINZ	DRAWING TITLE		
	OPTO INPUT		
BLOCK: PROCESSOR OPTO_IN	SIZE <b>C</b>	REV.	DRAWING NO.
	SCALE		SHEET OF

REVISIONS				
ZONE	LTR	DESCRIPTION	DATE	APPR.



UNIVERSITY OF MAINZ		DRAWING TITLE	
BLOCK: PROCESSOR OPTO_IN		OPTO INPUT OPTO OUTPUT	
SIZE <b>C</b>	REV.	DRAWING NO.	
SCALE		SHEET OF	

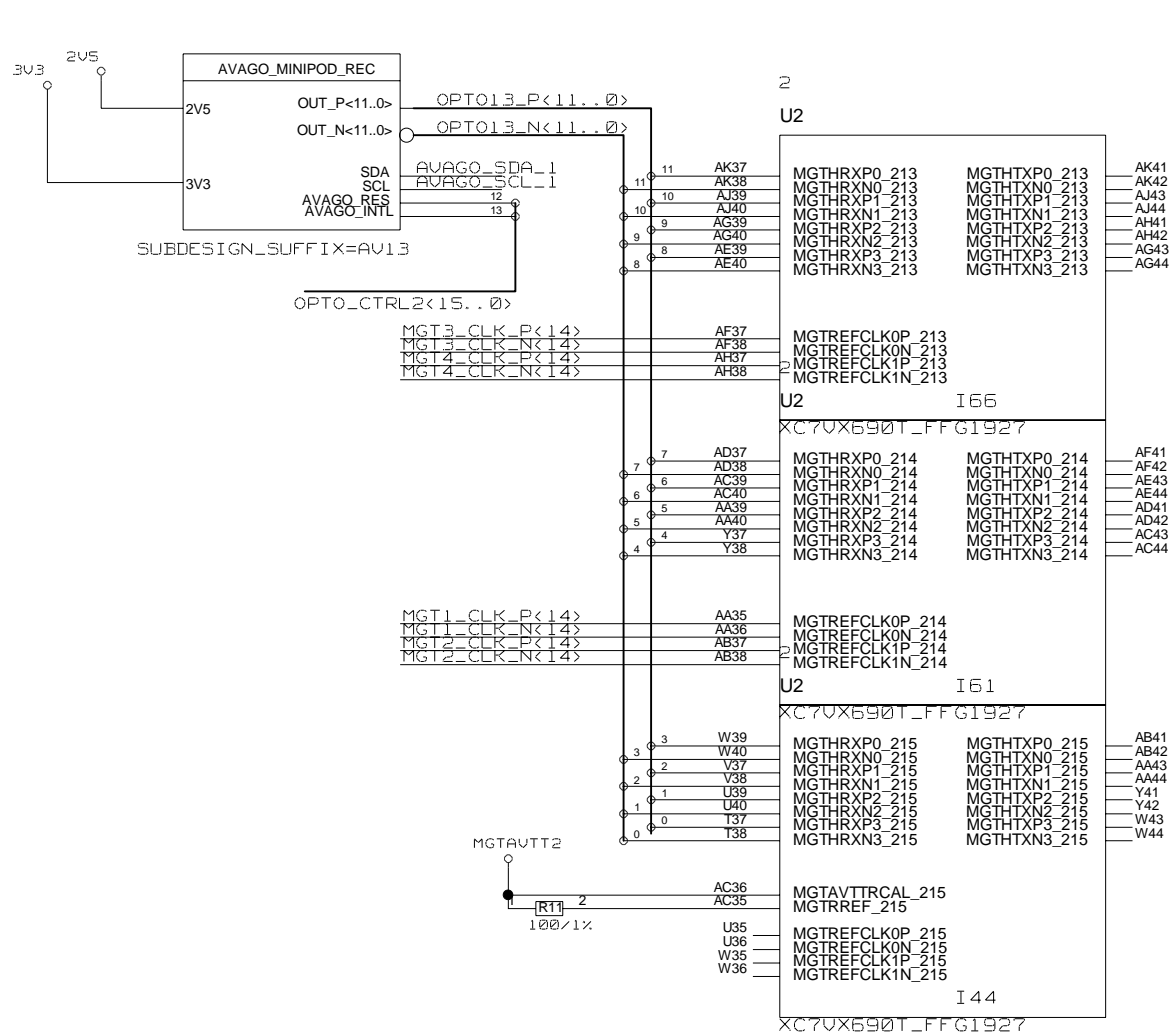
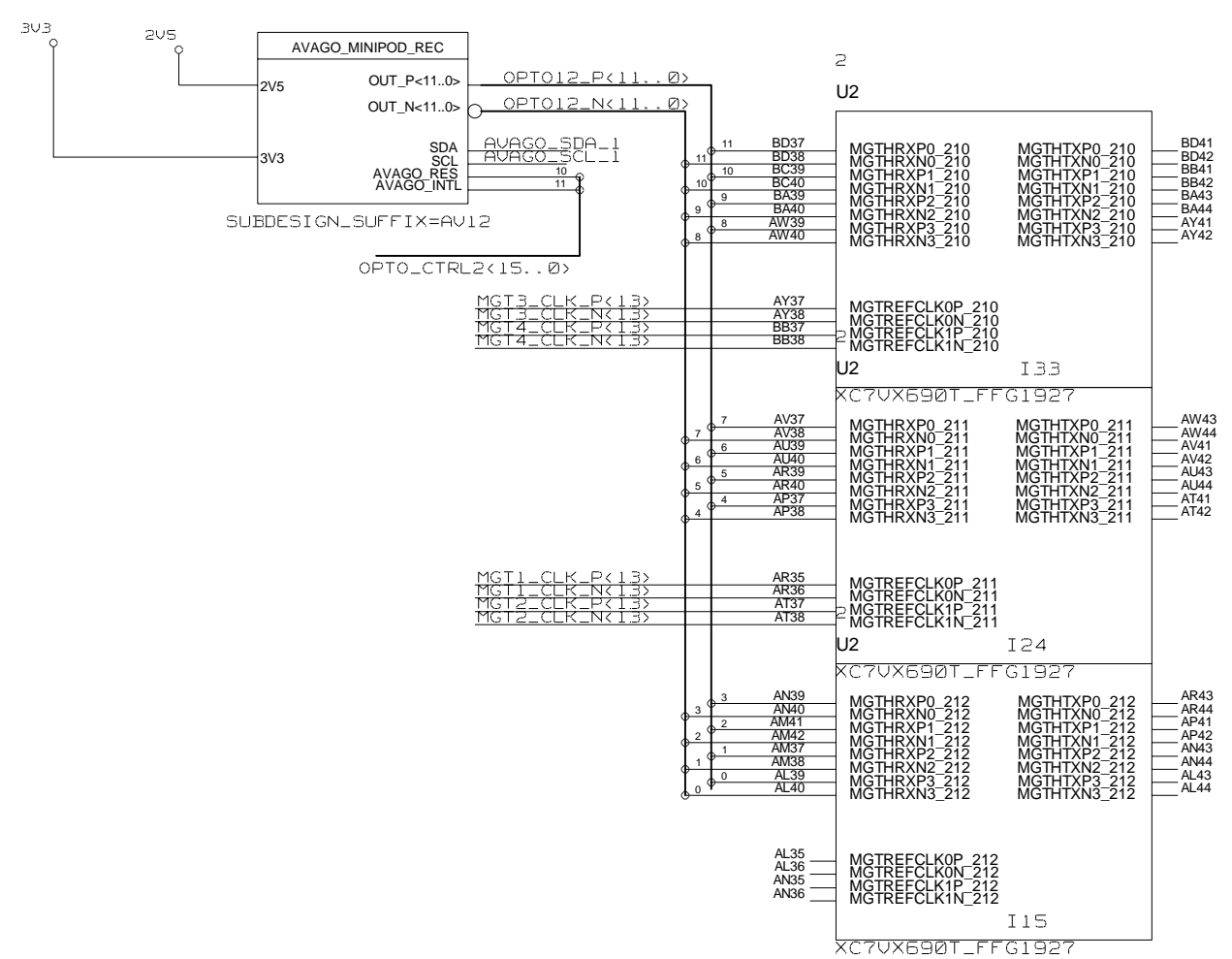
REVISIONS				
ZONE	LTR	DESCRIPTION	DATE	APPR.



UNIVERSITY OF MAINZ		DRAWING TITLE	
BLOCK: PROCESSOR OPTO_IN		OPTO INPUT	
SIZE <b>C</b>	REV.	DRAWING NO.	
SCALE			SHEET OF

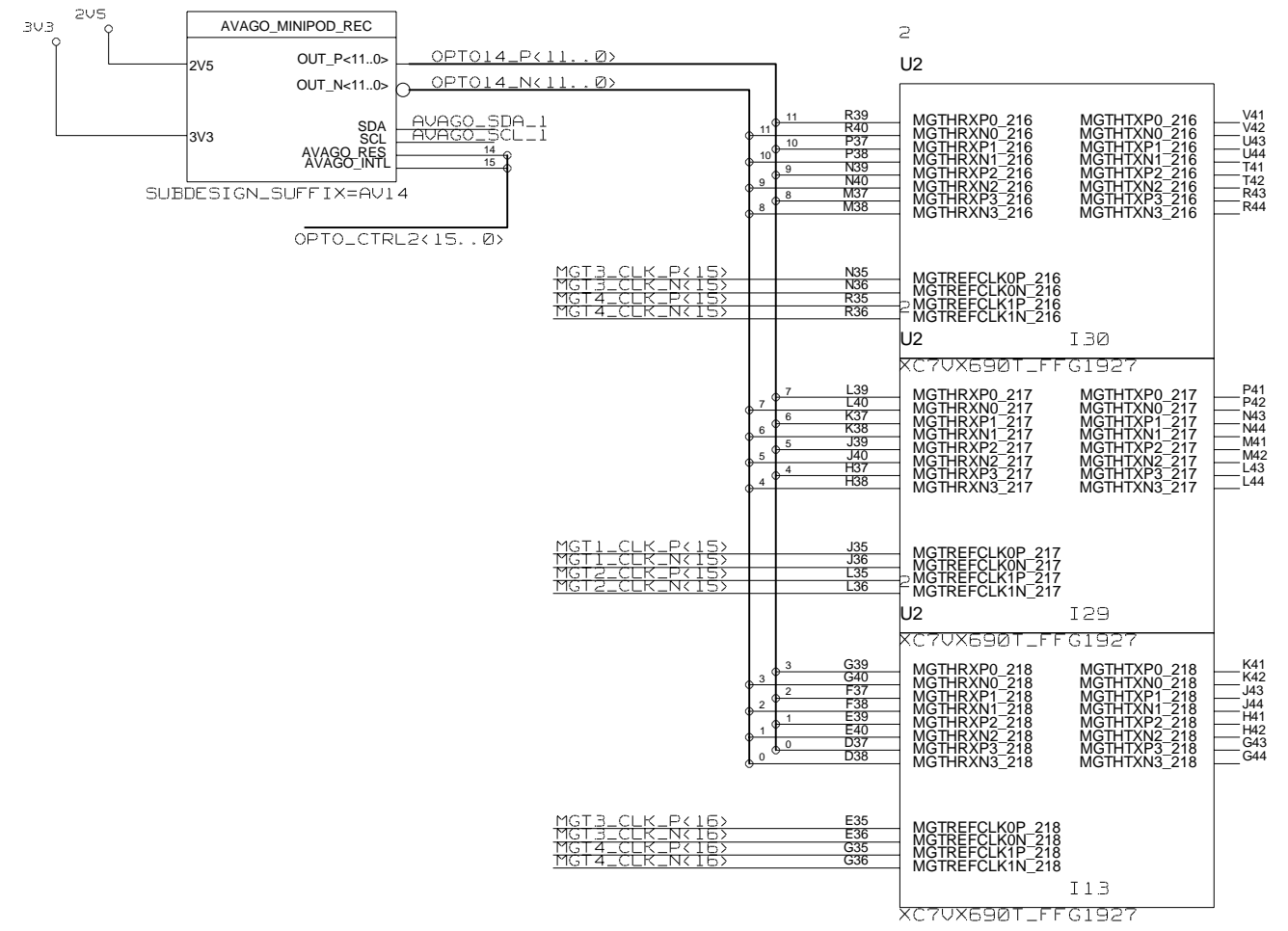


REVISIONS				
ZONE	LTR	DESCRIPTION	DATE	APPR.



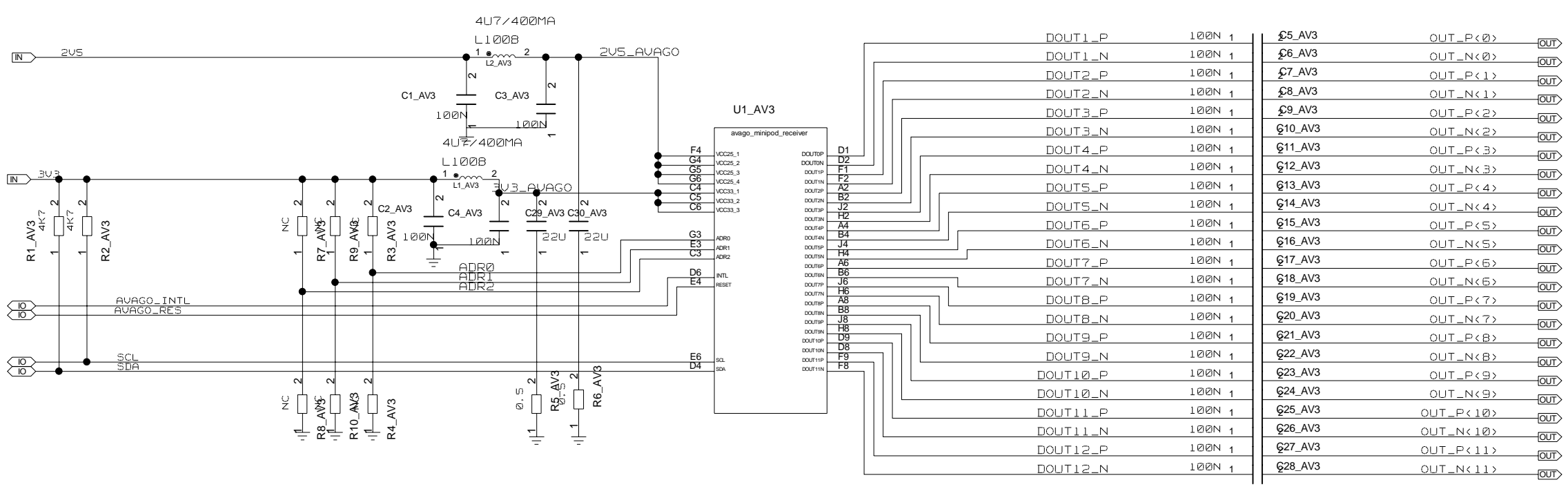
UNIVERSITY OF MAINZ		DRAWING TITLE	
BLOCK: PROCESSOR OPTO_IN		OPTO INPUT	
SIZE <b>C</b>	REV.	DRAWING NO.	
SCALE		SHEET OF	

REVISIONS				
ZONE	LTR	DESCRIPTION	DATE	APPR.



UNIVERSITY OF MAINZ		DRAWING TITLE	
BLOCK: PROCESSOR OPTO_IN		OPTO INPUT	
SIZE <b>C</b>	REV.	DRAWING NO.	
SCALE		SHEET	OF

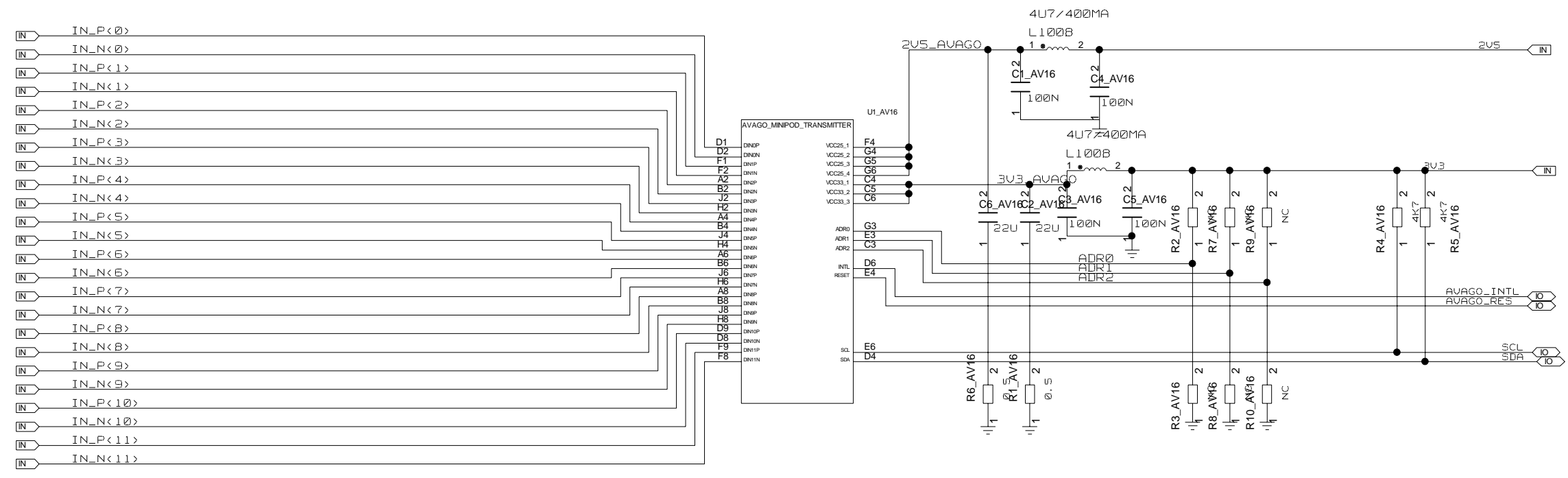
REVISIONS				
ZONE	LTR	DESCRIPTION	DATE	APPR.



DOUT1_P	100N	1	Q5_AV3	OUT_P<0>	OUT
DOUT1_N	100N	1	Q6_AV3	OUT_N<0>	OUT
DOUT2_P	100N	1	Q7_AV3	OUT_P<1>	OUT
DOUT2_N	100N	1	Q8_AV3	OUT_N<1>	OUT
DOUT3_P	100N	1	Q9_AV3	OUT_P<2>	OUT
DOUT3_N	100N	1	Q10_AV3	OUT_N<2>	OUT
DOUT4_P	100N	1	Q11_AV3	OUT_P<3>	OUT
DOUT4_N	100N	1	Q12_AV3	OUT_N<3>	OUT
DOUT5_P	100N	1	Q13_AV3	OUT_P<4>	OUT
DOUT5_N	100N	1	Q14_AV3	OUT_N<4>	OUT
DOUT6_P	100N	1	Q15_AV3	OUT_P<5>	OUT
DOUT6_N	100N	1	Q16_AV3	OUT_N<5>	OUT
DOUT7_P	100N	1	Q17_AV3	OUT_P<6>	OUT
DOUT7_N	100N	1	Q18_AV3	OUT_N<6>	OUT
DOUT8_P	100N	1	Q19_AV3	OUT_P<7>	OUT
DOUT8_N	100N	1	Q20_AV3	OUT_N<7>	OUT
DOUT9_P	100N	1	Q21_AV3	OUT_P<8>	OUT
DOUT9_N	100N	1	Q22_AV3	OUT_N<8>	OUT
DOUT10_P	100N	1	Q23_AV3	OUT_P<9>	OUT
DOUT10_N	100N	1	Q24_AV3	OUT_N<9>	OUT
DOUT11_P	100N	1	Q25_AV3	OUT_P<10>	OUT
DOUT11_N	100N	1	Q26_AV3	OUT_N<10>	OUT
DOUT12_P	100N	1	Q27_AV3	OUT_P<11>	OUT
DOUT12_N	100N	1	Q28_AV3	OUT_N<11>	OUT

UNIVERSITY OF MAINZ		DRAWING TITLE	
		AVAGO RECEIVER	
SIZE	REV.	DRAWING NO.	
<b>C</b>			
SCALE		SHEET	OF

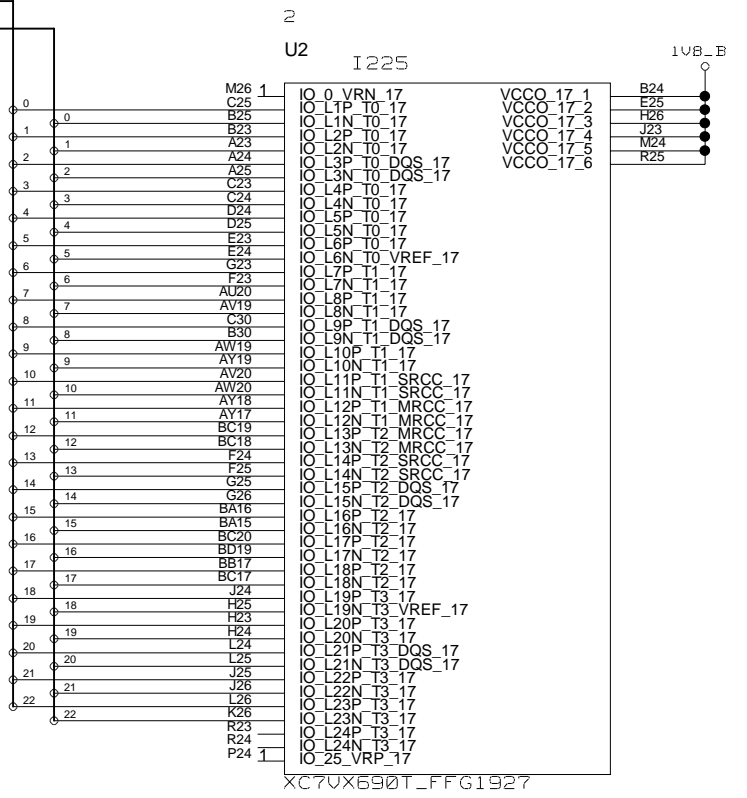
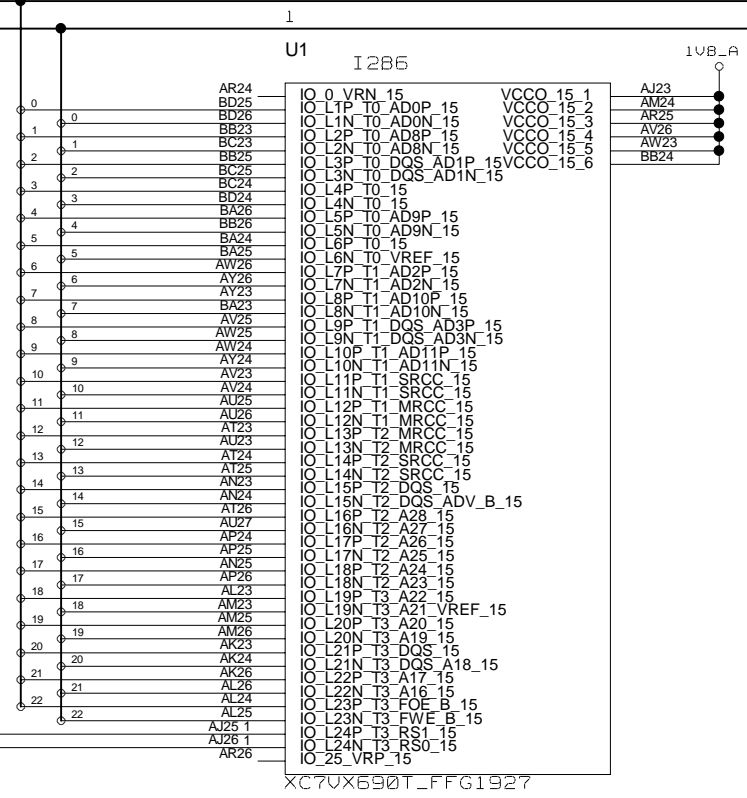
REVISIONS				
ZONE	LTR	DESCRIPTION	DATE	APPR.



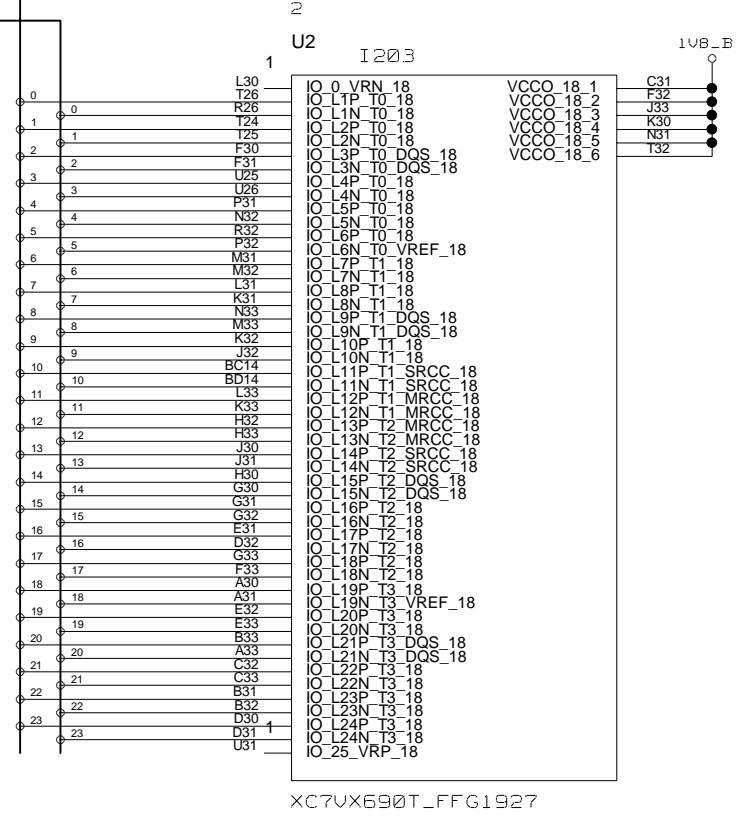
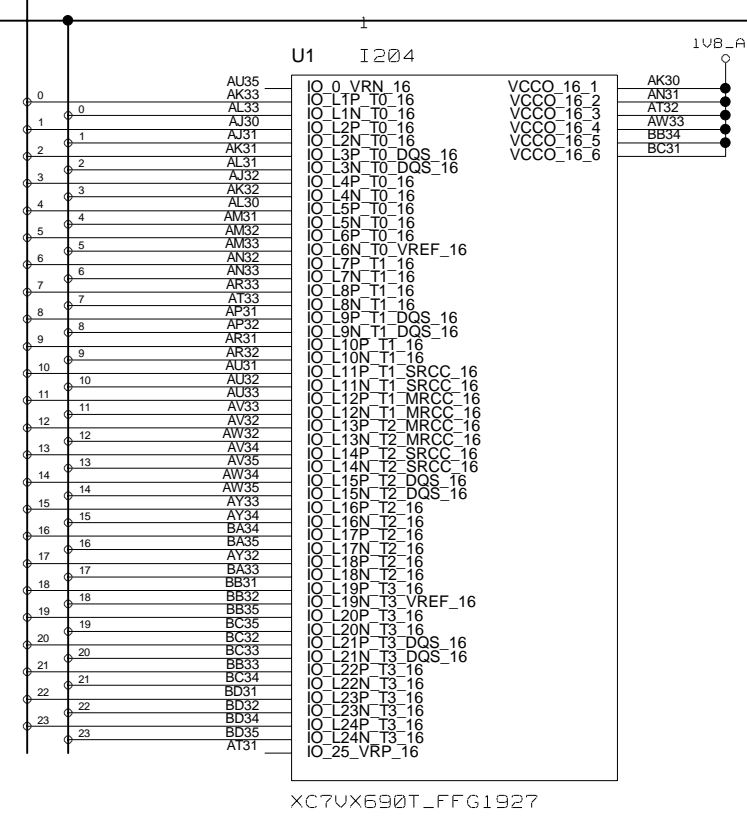
UNIVERSITY OF MAINZ		DRAWING TITLE	
		AVAGO TRANSMITTER	
SIZE	REV.	DRAWING NO.	
C			
SCALE		SHEET OF	

REVISIONS				
ZONE	LTR	DESCRIPTION	DATE	APPR.

BANK15\_P<22..0>  
BANK15\_N<22..0>



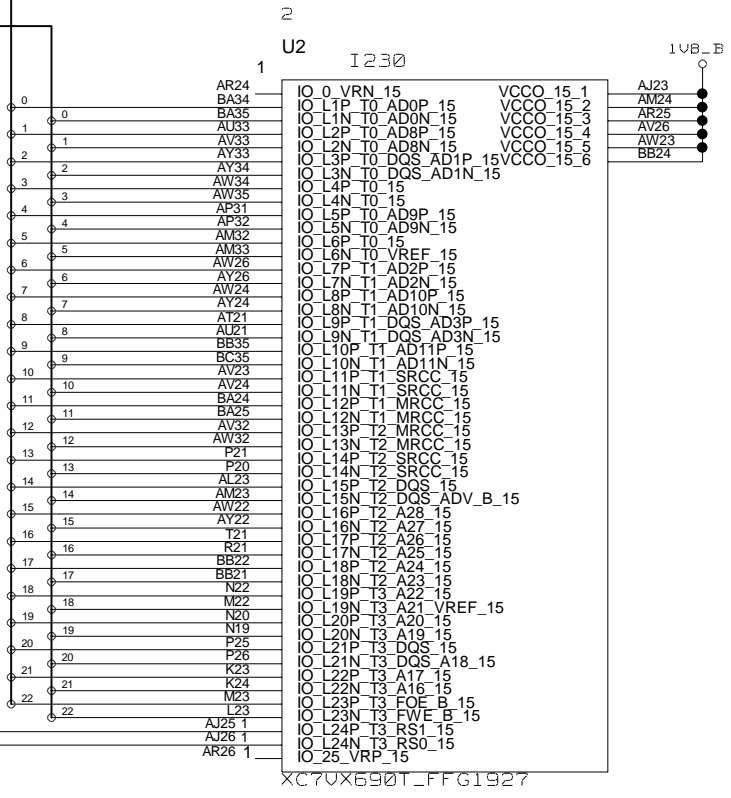
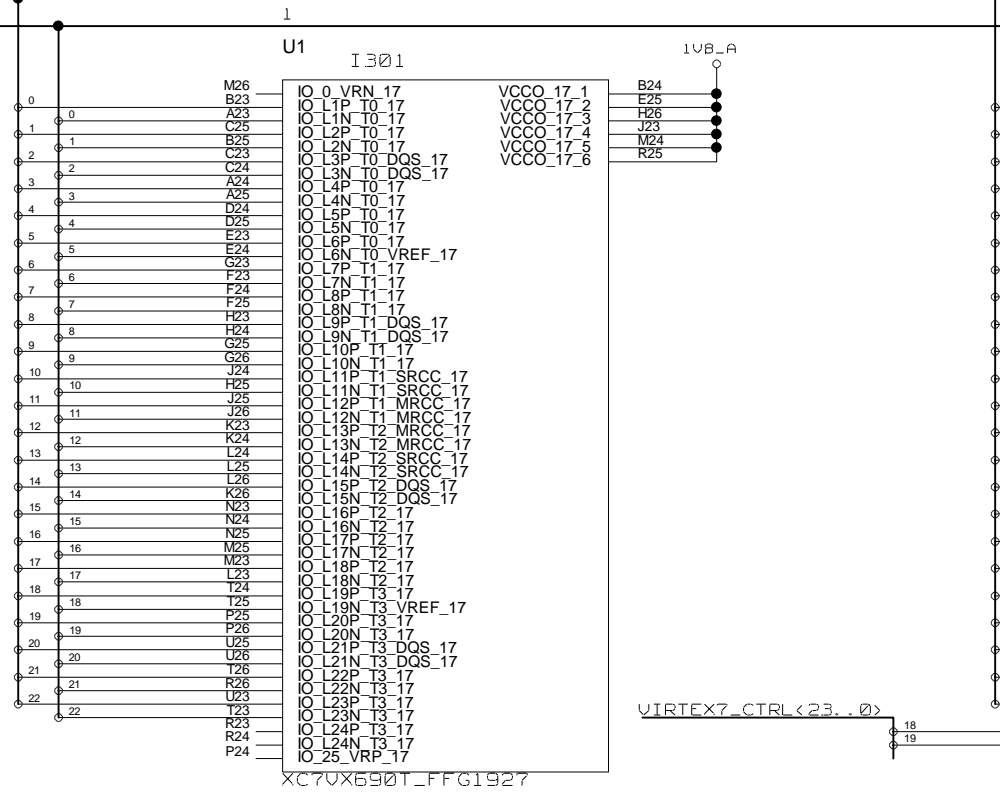
BANK16\_P<23..0>  
BANK16\_N<23..0>



UNIVERSITY OF MAINZ	DRAWING TITLE		
	DATABUS		
BLOCK: PROCESSOR DATA_BUS	SIZE	REV.	DRAWING NO.
	C		
SCALE			SHEET OF

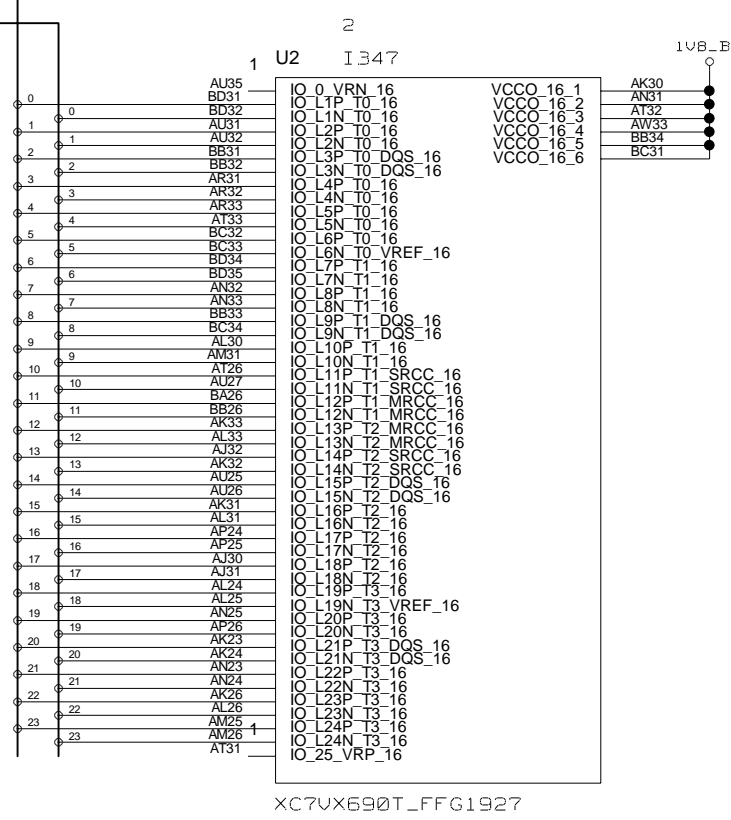
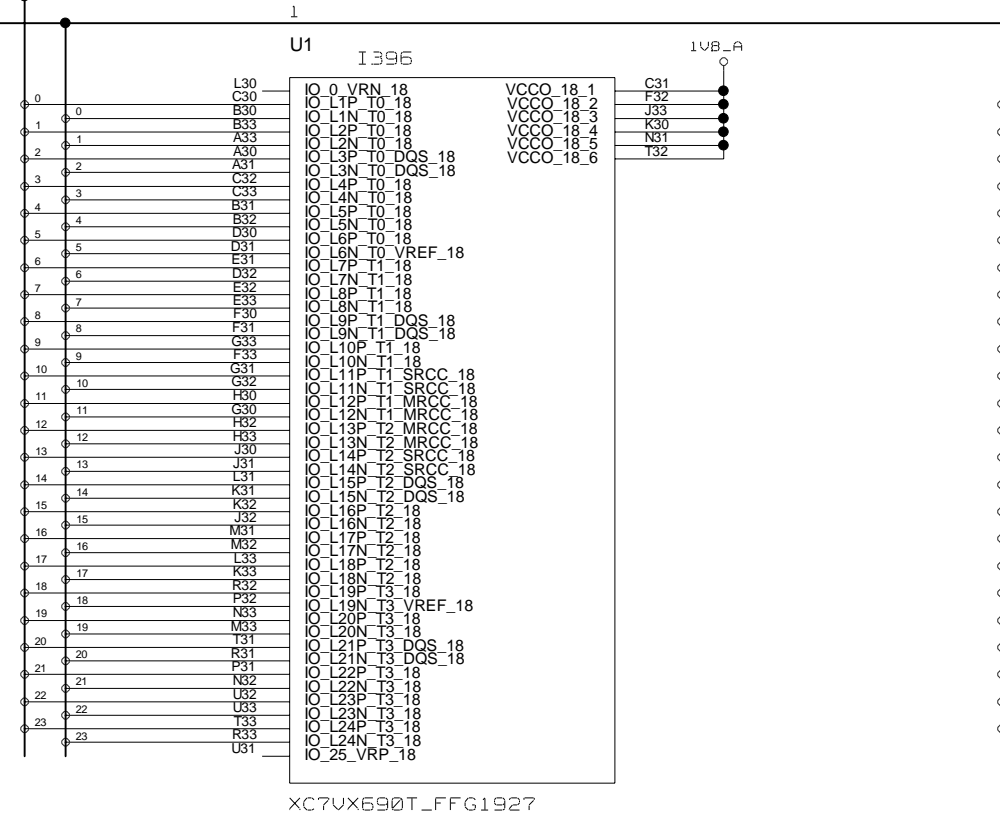
REVISIONS				
ZONE	LTR	DESCRIPTION	DATE	APPR.

BANK17\_P<22..0>  
BANK17\_N<22..0>



VIRTEX7\_CTRL<23..0>

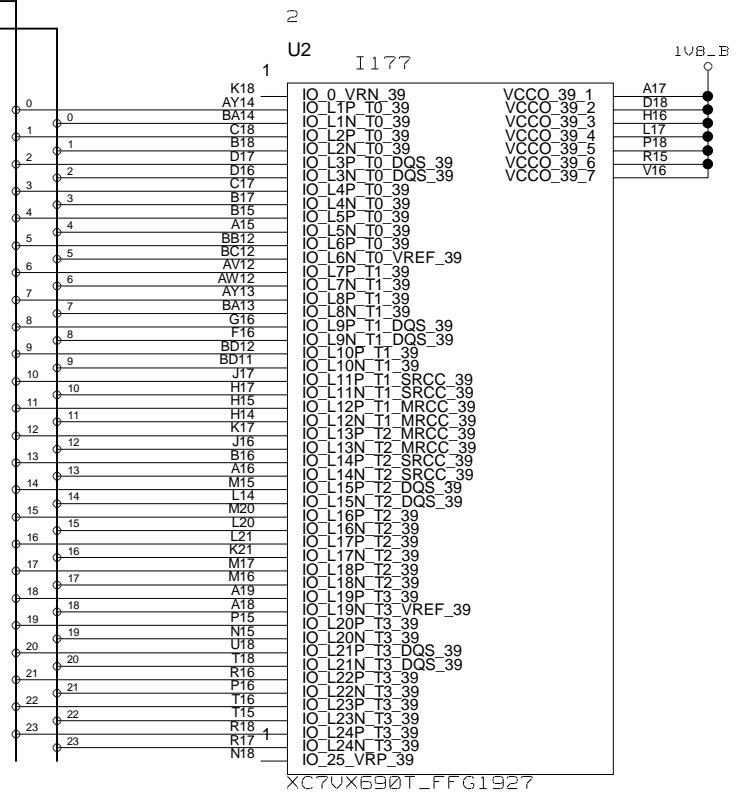
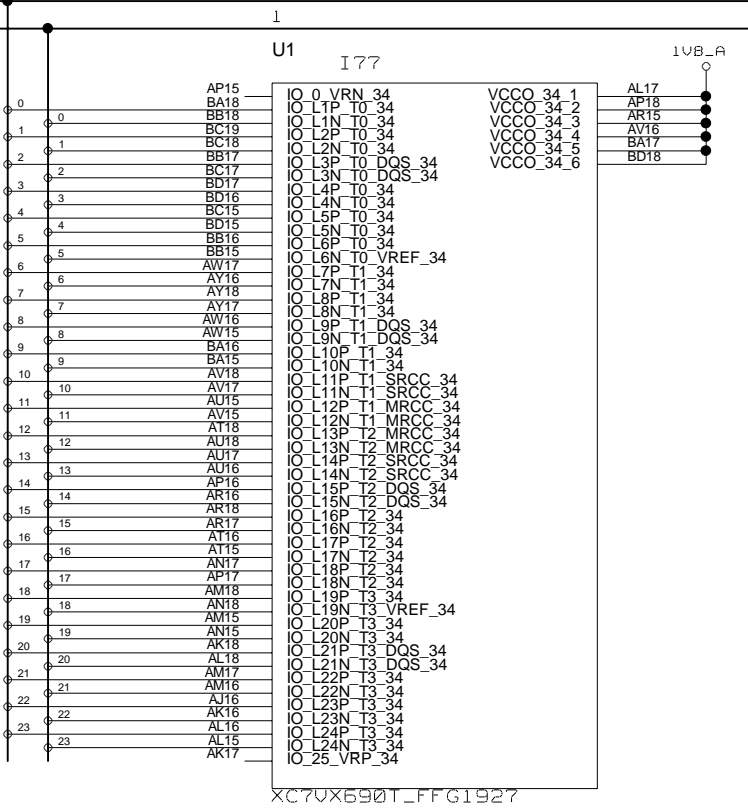
BANK18\_P<23..0>  
BANK18\_N<23..0>



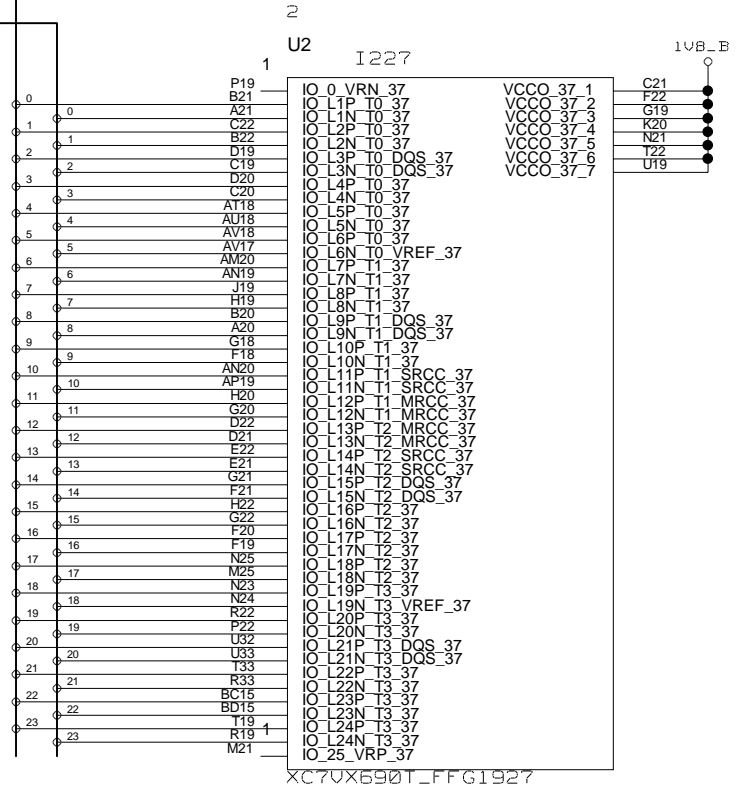
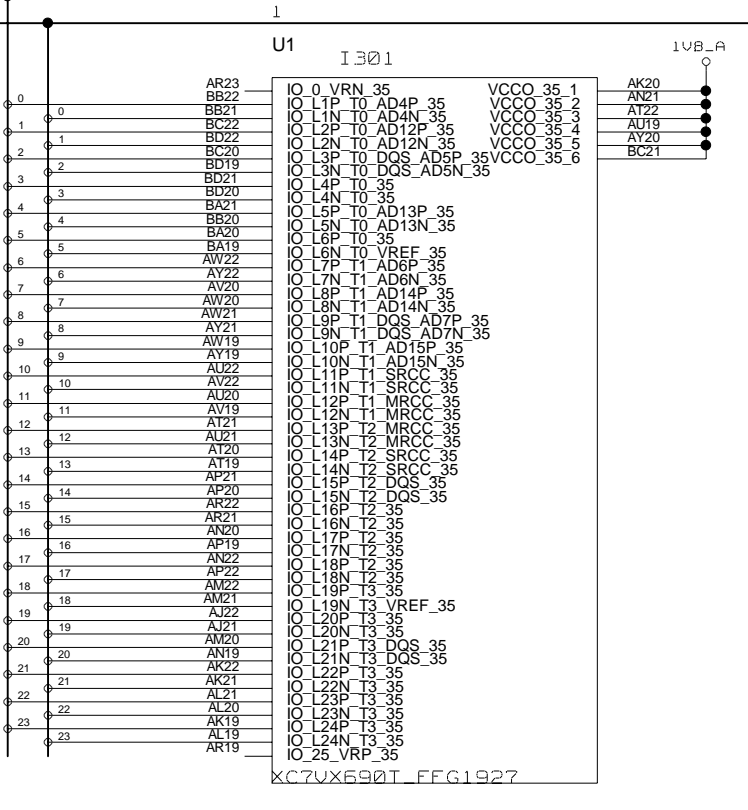
UNIVERSITY OF MAINZ		DRAWING TITLE <b>DATABUS</b>	
BLOCK: PROCESSOR DATA_BUS		SIZE <b>C</b>	DRAWING NO.
SCALE		REV.	SHEET OF

REVISIONS				
ZONE	LTR	DESCRIPTION	DATE	APPR.

BANK34\_P<23...0>  
BANK34\_N<23...0>



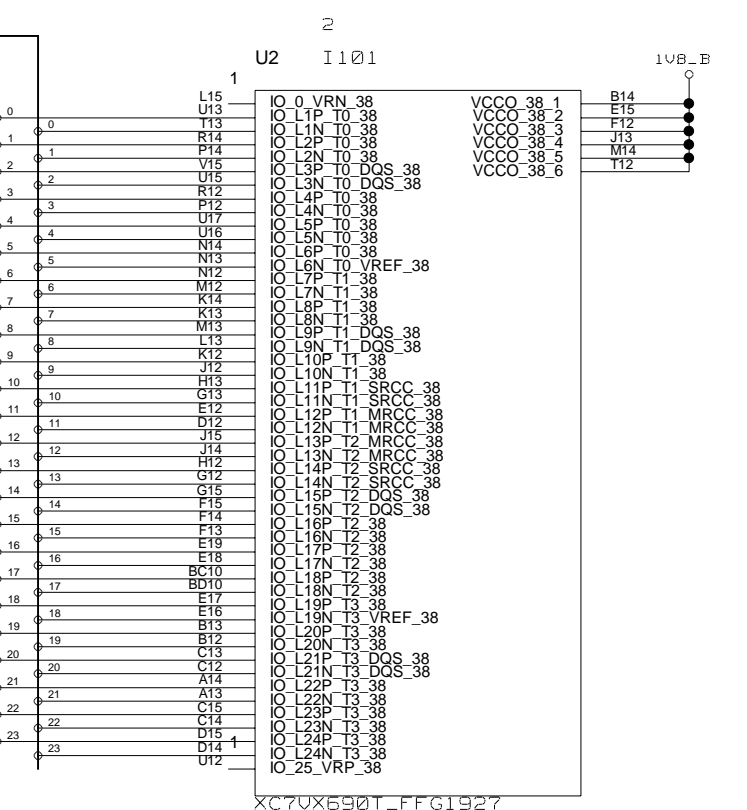
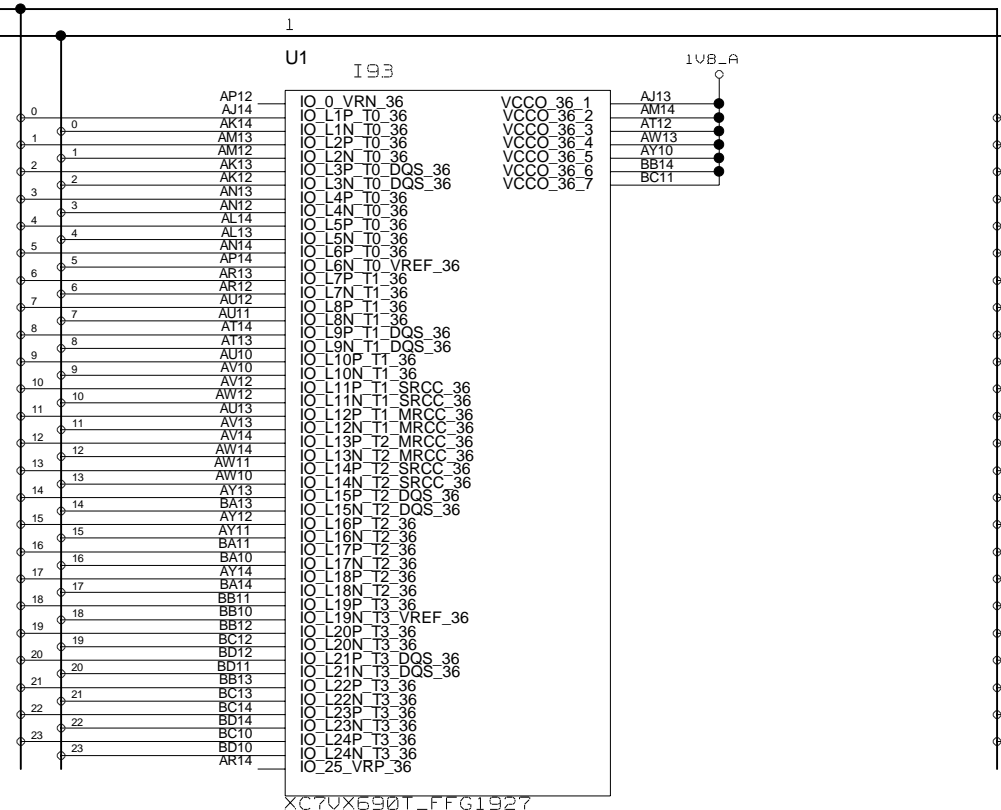
BANK35\_P<23...0>  
BANK35\_N<23...0>



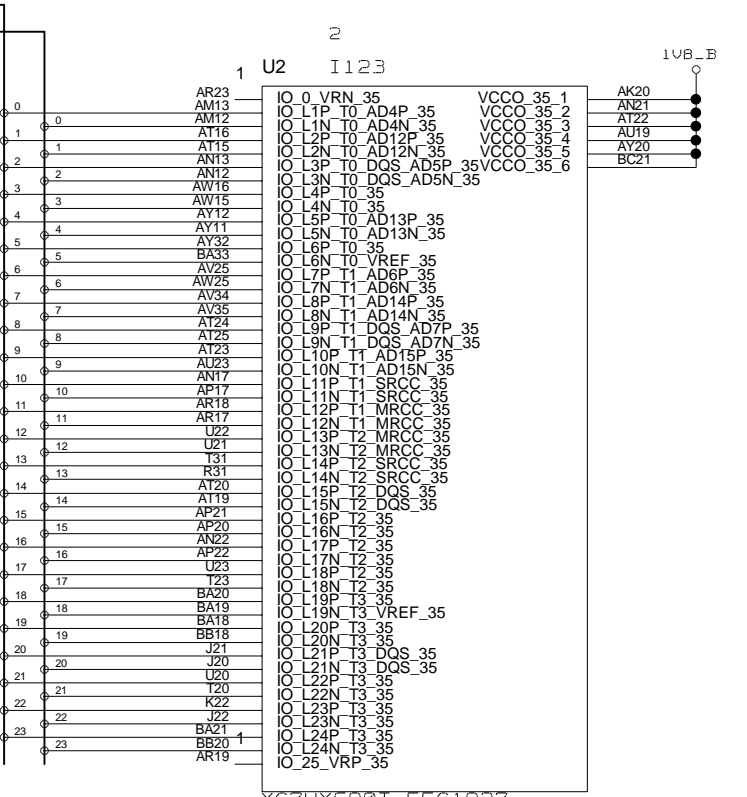
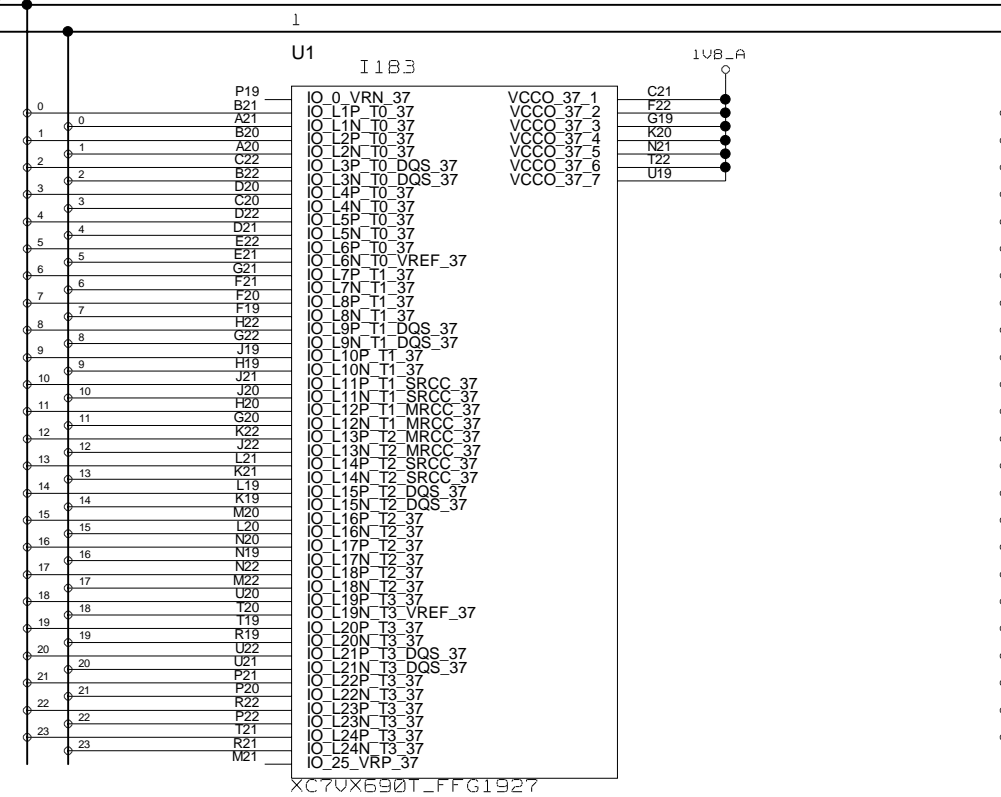
UNIVERSITY OF MAINZ		DRAWING TITLE	
BLOCK: PROCESSOR DATA_BUS		DATABUS	
SIZE	REV.	DRAWING NO.	
C			
SCALE		SHEET OF	

REVISIONS				
ZONE	LTR	DESCRIPTION	DATE	APPR.

BANK36\_P<23..0>  
BANK36\_N<23..0>



BANK37\_P<23..0>  
BANK37\_N<23..0>

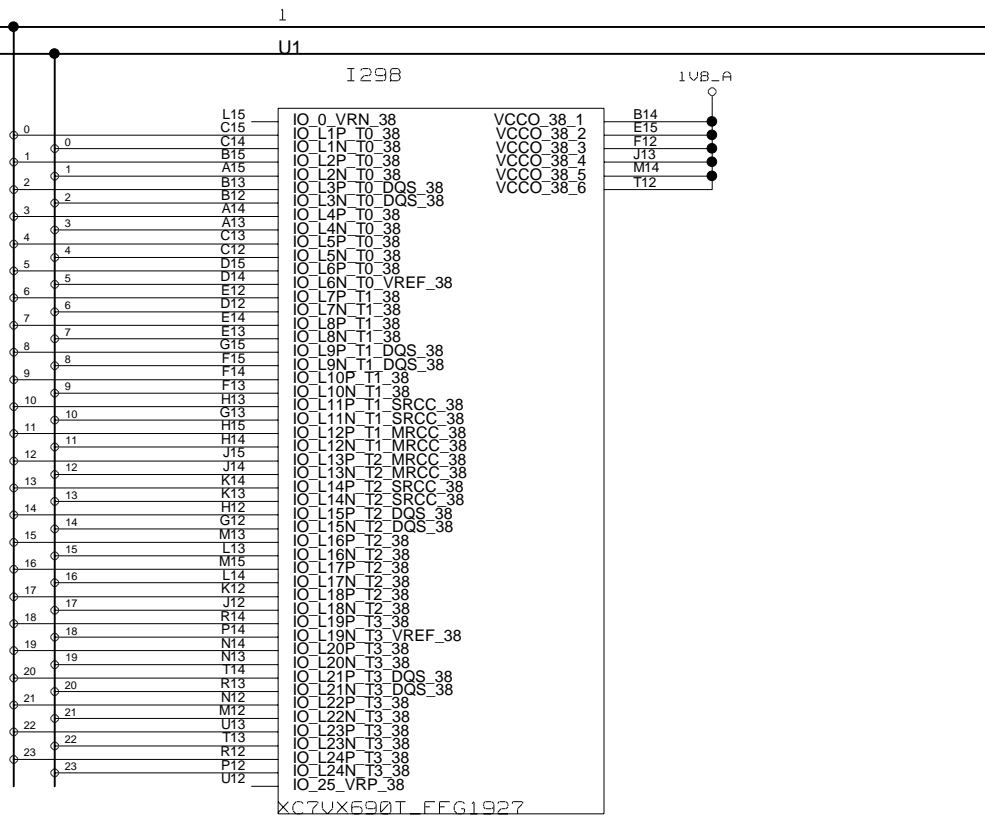


UNIVERSITY OF MAINZ	DRAWING TITLE		
	DATABUS		
BLOCK: PROCESSOR DATA_BUS	SIZE <b>C</b>	REV.	DRAWING NO.
SCALE			SHEET OF

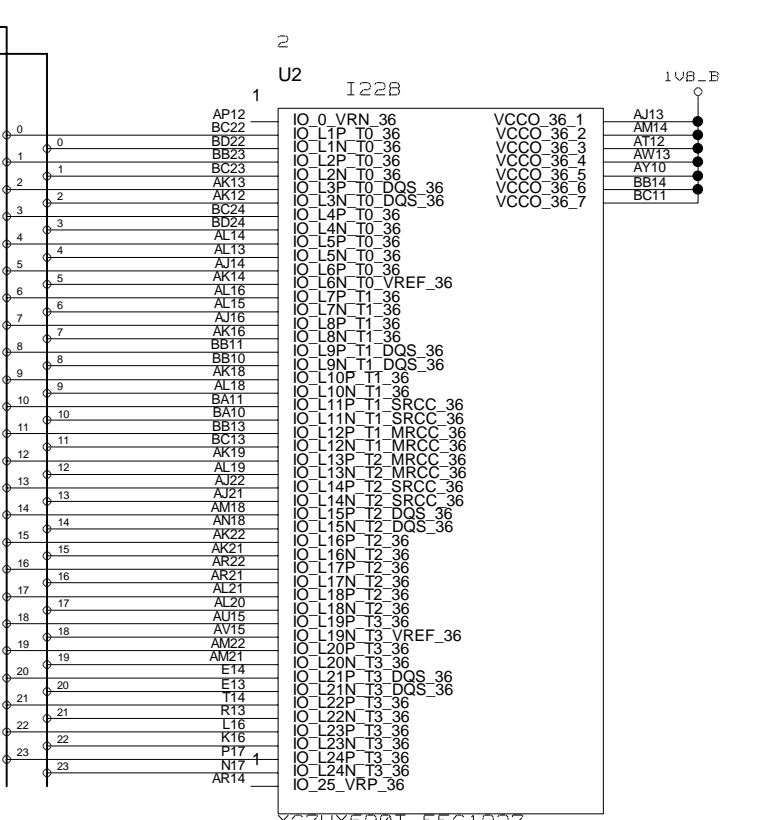


REVISIONS				
ZONE	LTR	DESCRIPTION	DATE	APPR.

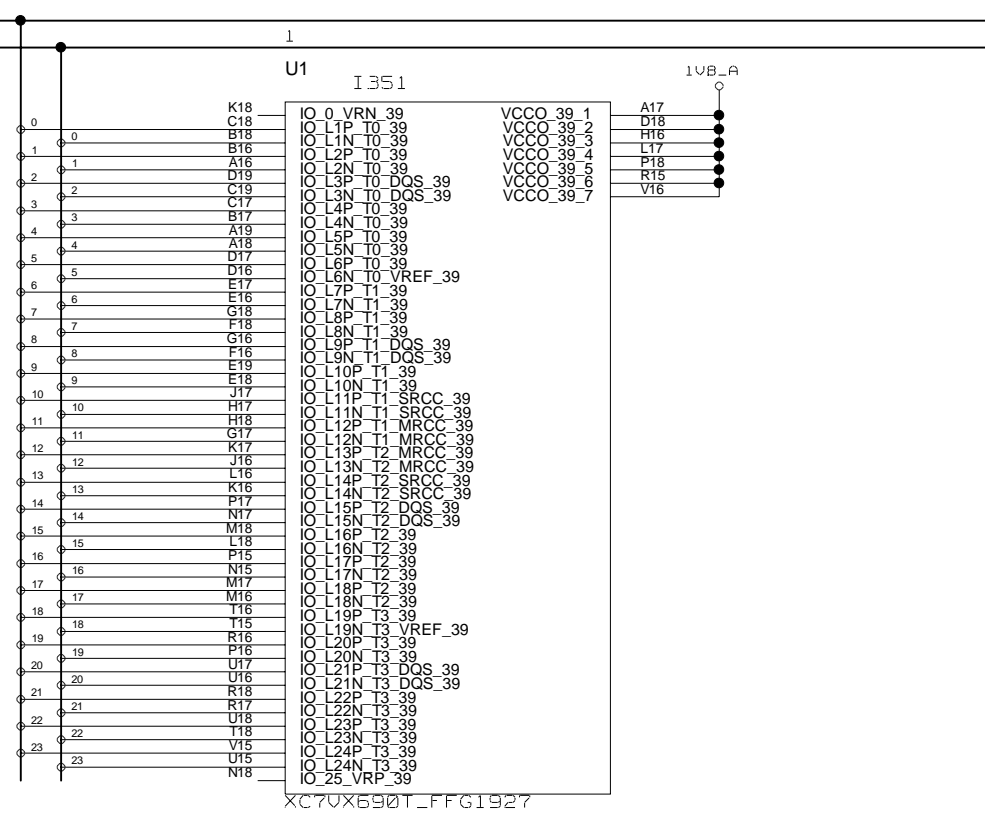
BANK3B\_P<23..0>  
BANK3B\_N<23..0>



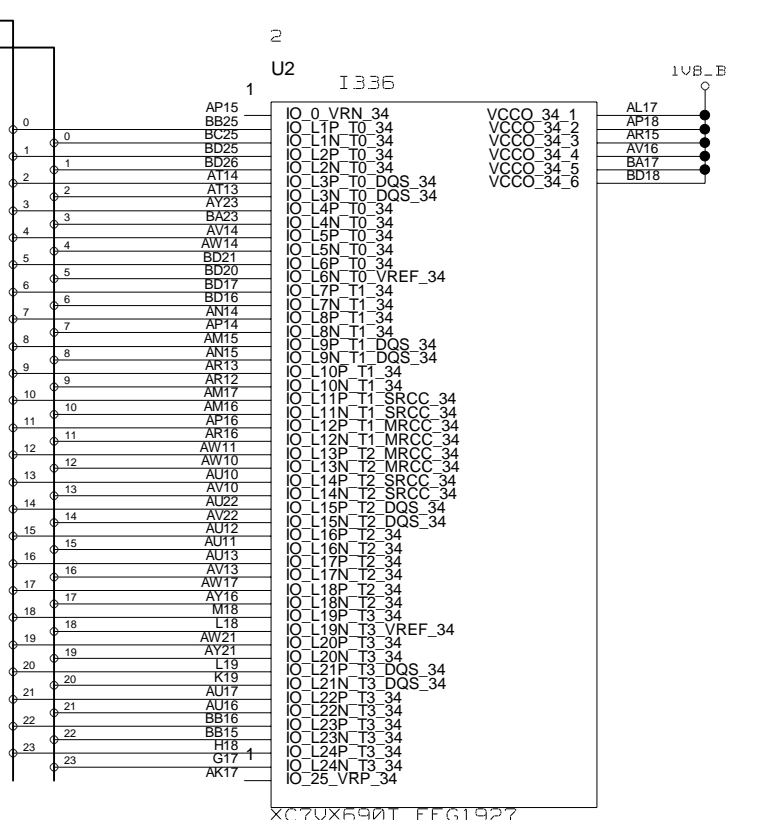
BANK36\_P<23..0>  
BANK36\_N<23..0>



BANK39\_P<23..0>  
BANK39\_N<23..0>

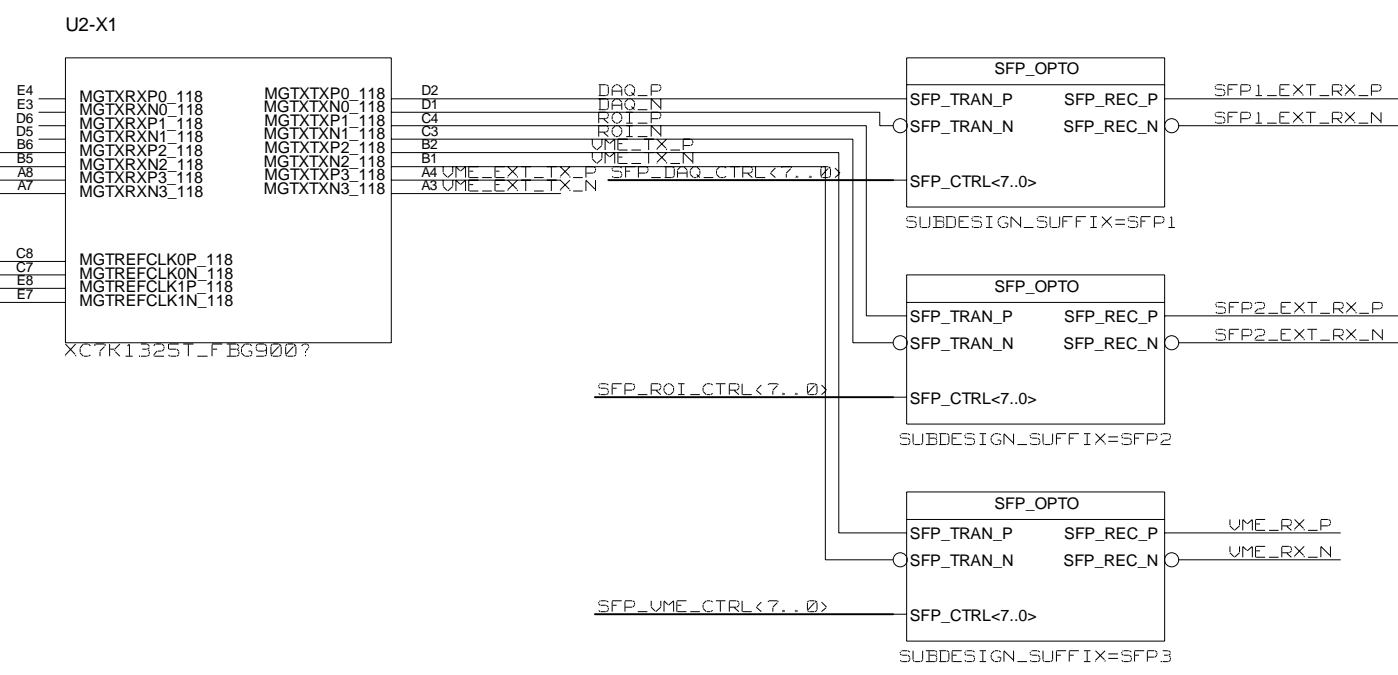
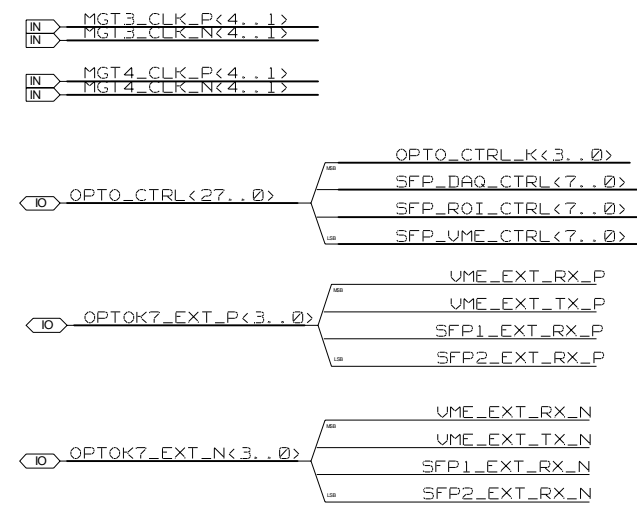
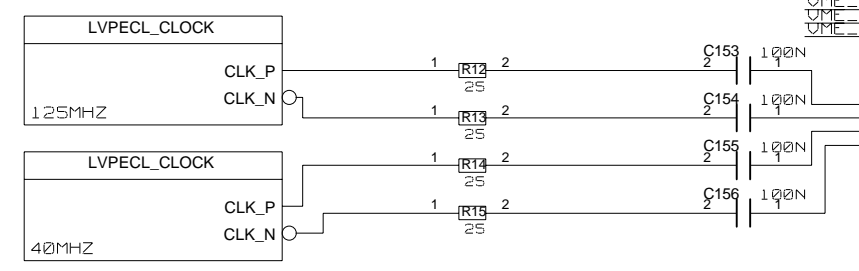
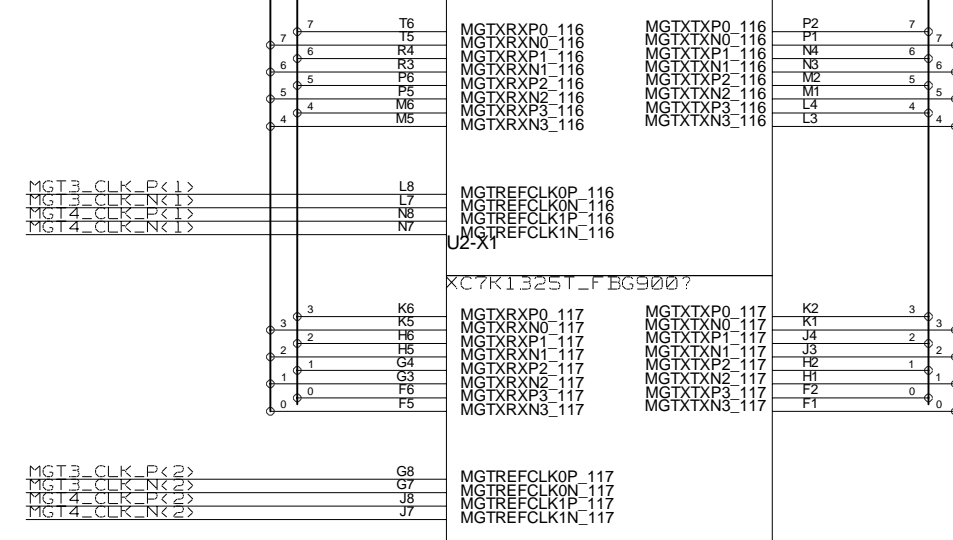
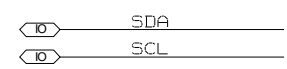
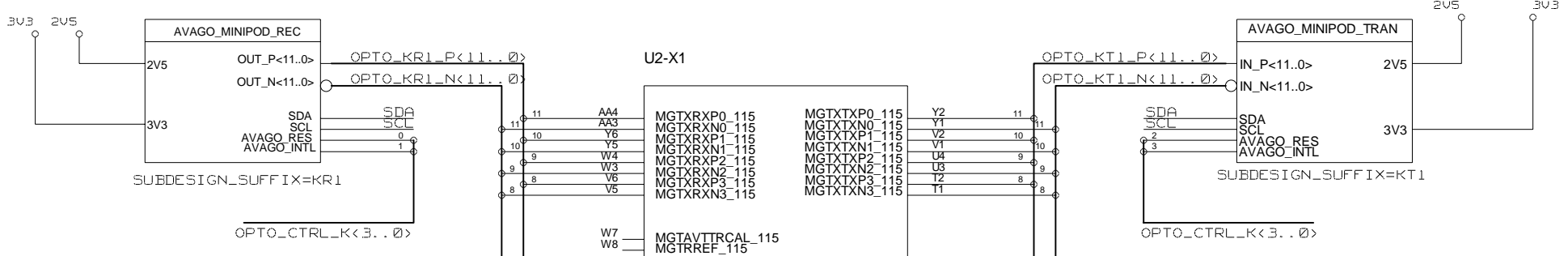


BANK34\_P<23..0>  
BANK34\_N<23..0>



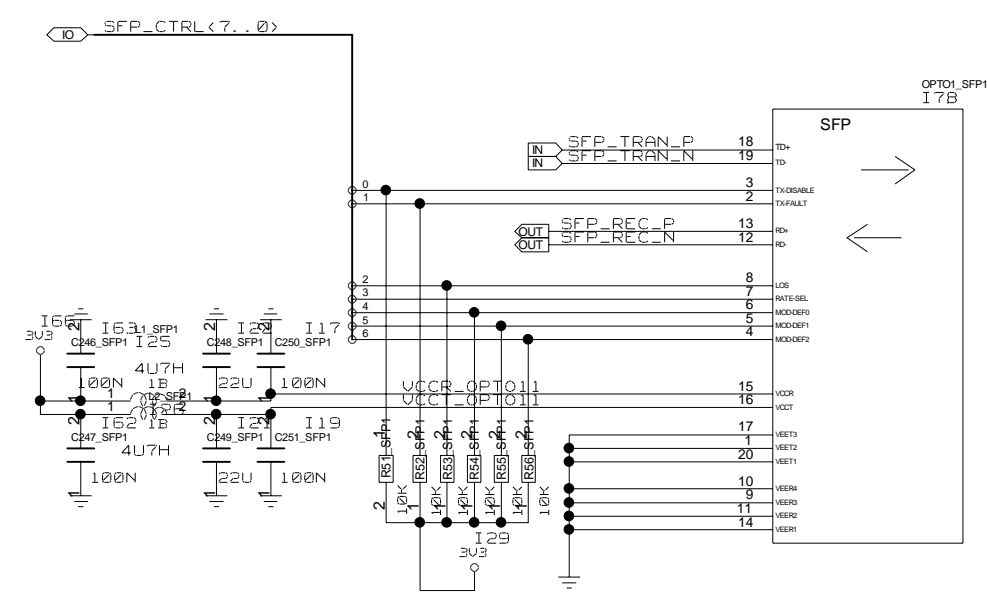
UNIVERSITY OF MAINZ		DRAWING TITLE	
BLOCK: PROCESSOR DATA_BUS		DATABUS	
SIZE	REV.	DRAWING NO.	
C			
SCALE		SHEET OF	

REVISIONS				
ZONE	LTR	DESCRIPTION	DATE	APPR.



UNIVERSITY OF MAINZ	DRAWING TITLE		
	DAQ AND ROI UME		
BLOCK: PROCESSOR KINTEX7_OPTO	SIZE <b>C</b>	REV.	DRAWING NO.
SCALE	SHEET		OF

REVISIONS				
ZONE	LTR	DESCRIPTION	DATE	APPR.

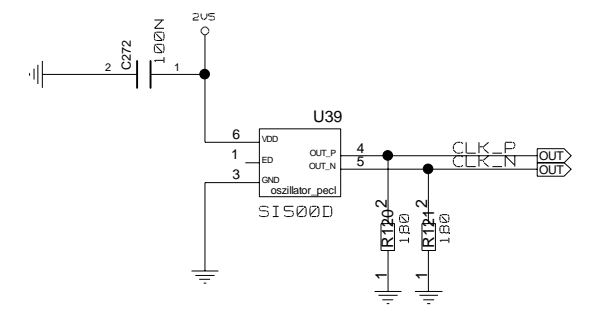


UNIVERSITY OF MAINZ

DRAWING TITLE			
SFP OPTOTRANSCEIVER			
SIZE	REV.	DRAWING NO.	
<b>C</b>			
SCALE			SHEET OF

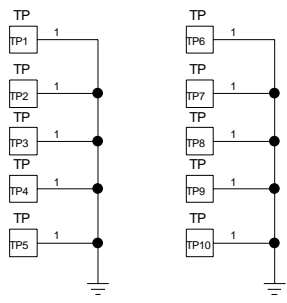
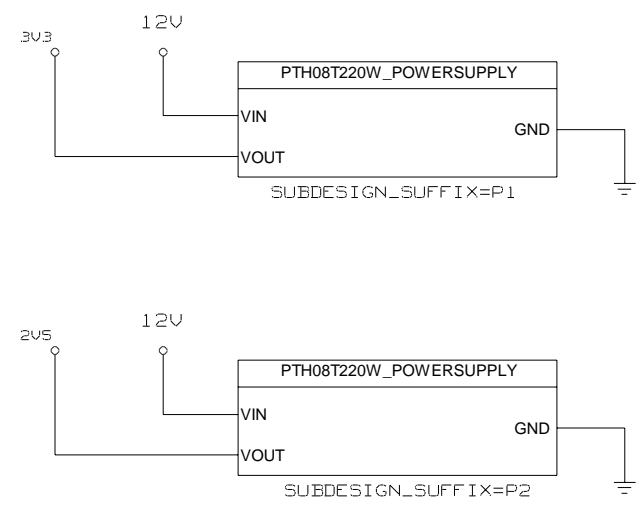
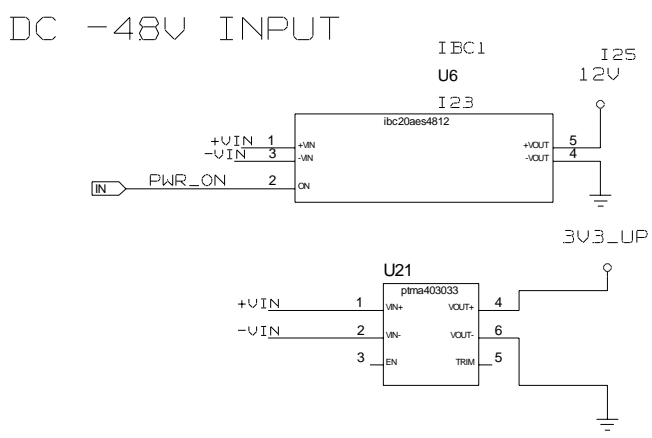
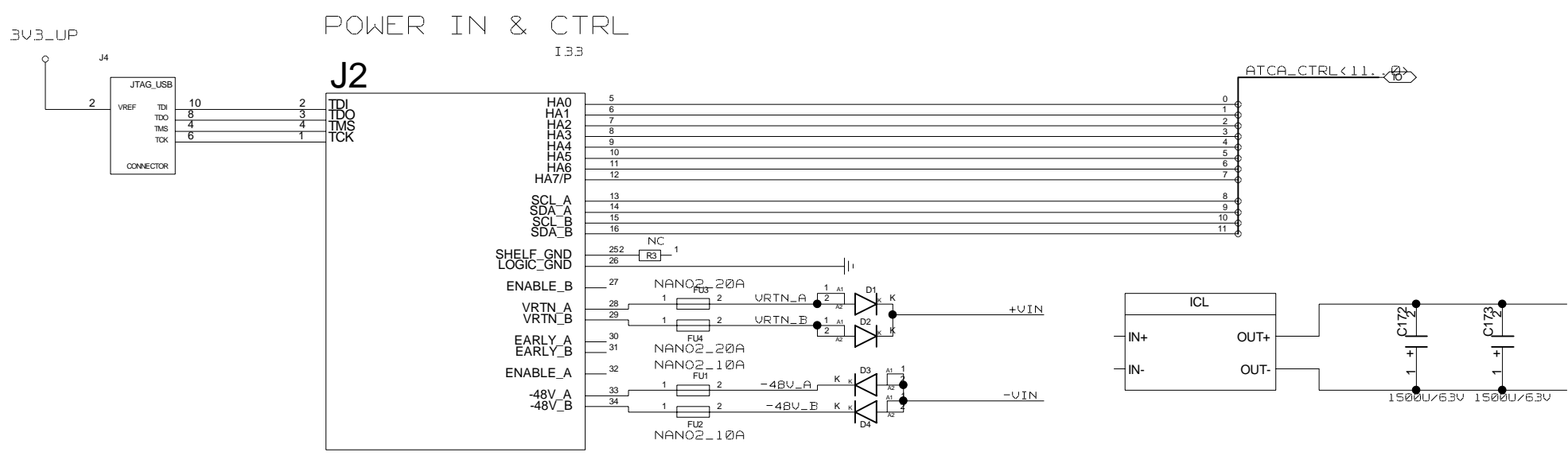
REVISIONS

ZONE	LTR	DESCRIPTION	DATE	APPR.



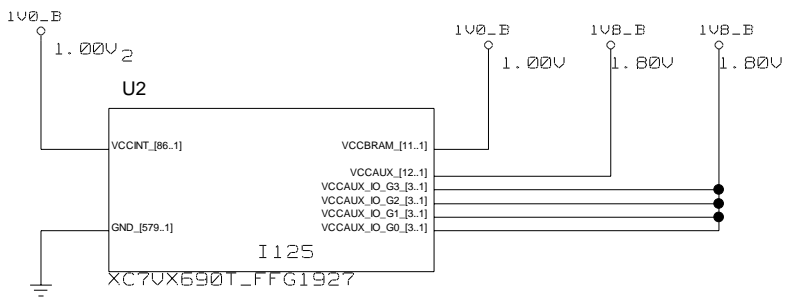
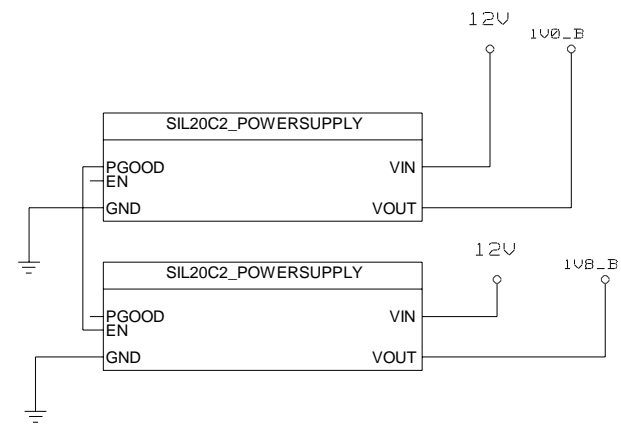
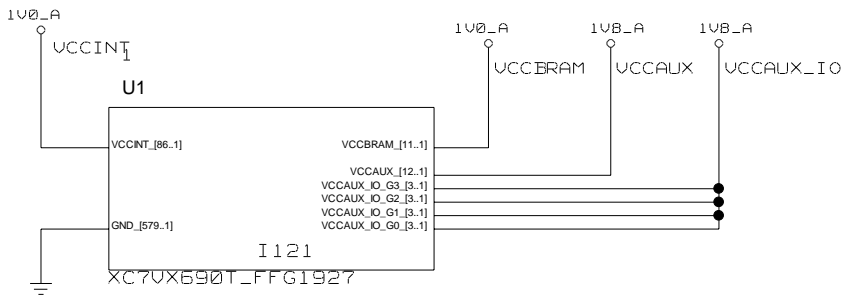
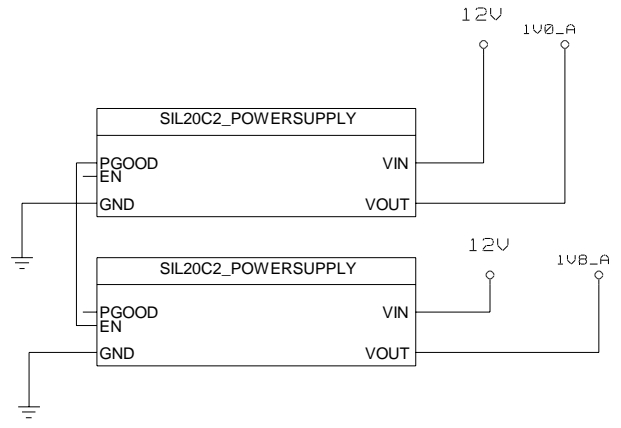
UNIVERSITY OF MAINZ	DRAWING TITLE		
	LVPECL_CLOCK		
SIZE	REV.	DRAWING NO.	
<b>C</b>			
SCALE			SHEET OF

REVISIONS				
ZONE	LTR	DESCRIPTION	DATE	APPR.

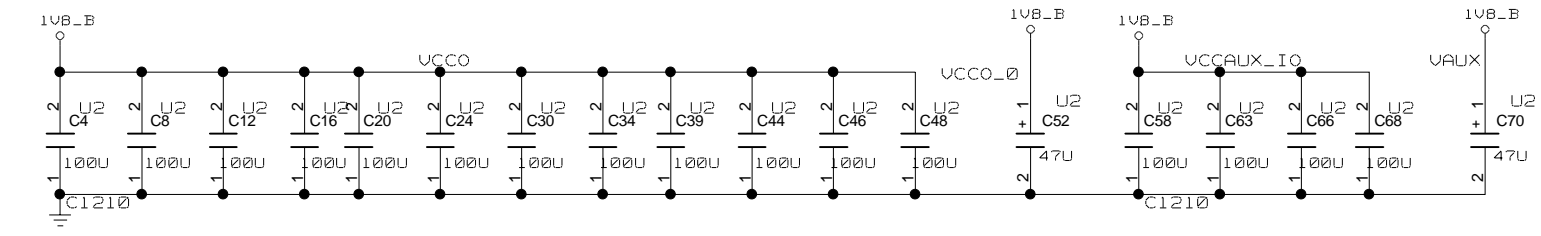
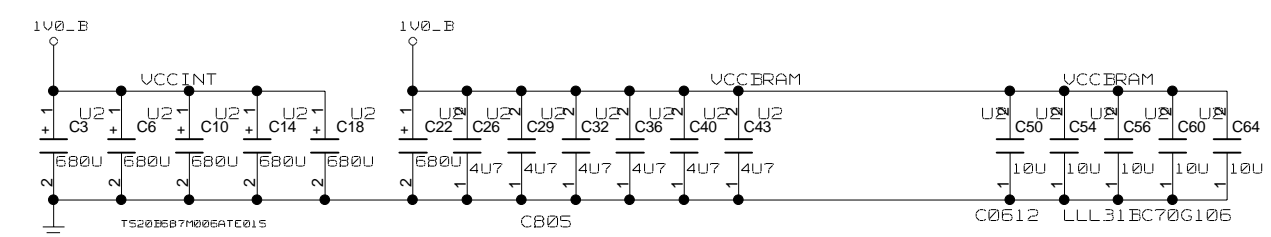
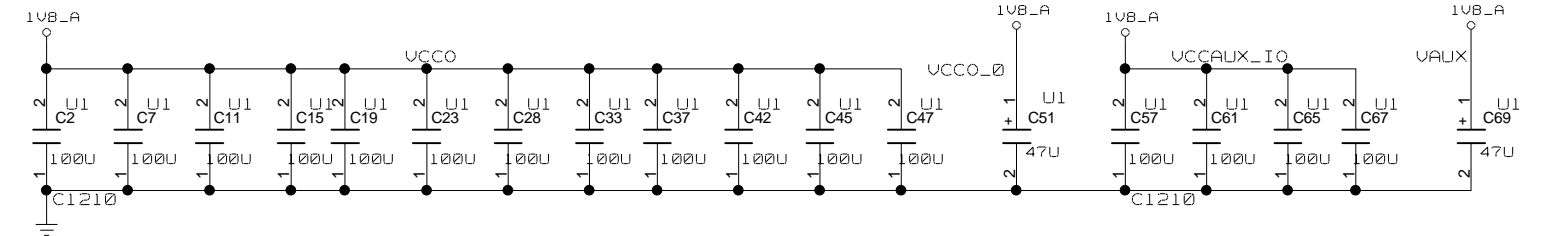
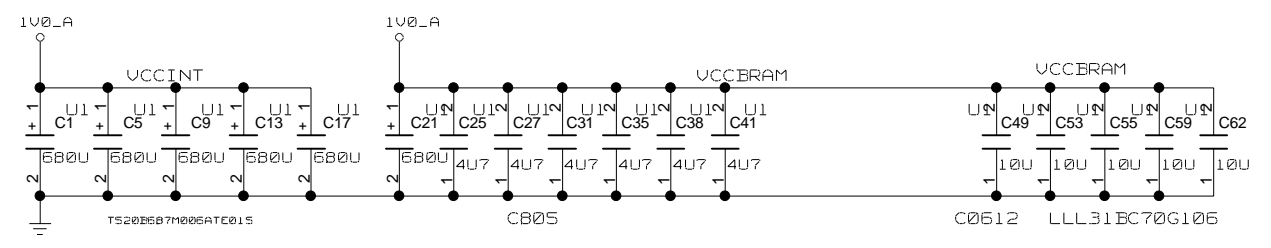


UNIVERSITY OF MAINZ		DRAWING TITLE	
BLOCK: POWERSUPPLY		12V POWERBUS	
SIZE	REV.	DRAWING NO.	
C			
SCALE			SHEET OF

REVISIONS				
ZONE	LTR	DESCRIPTION	DATE	APPR.

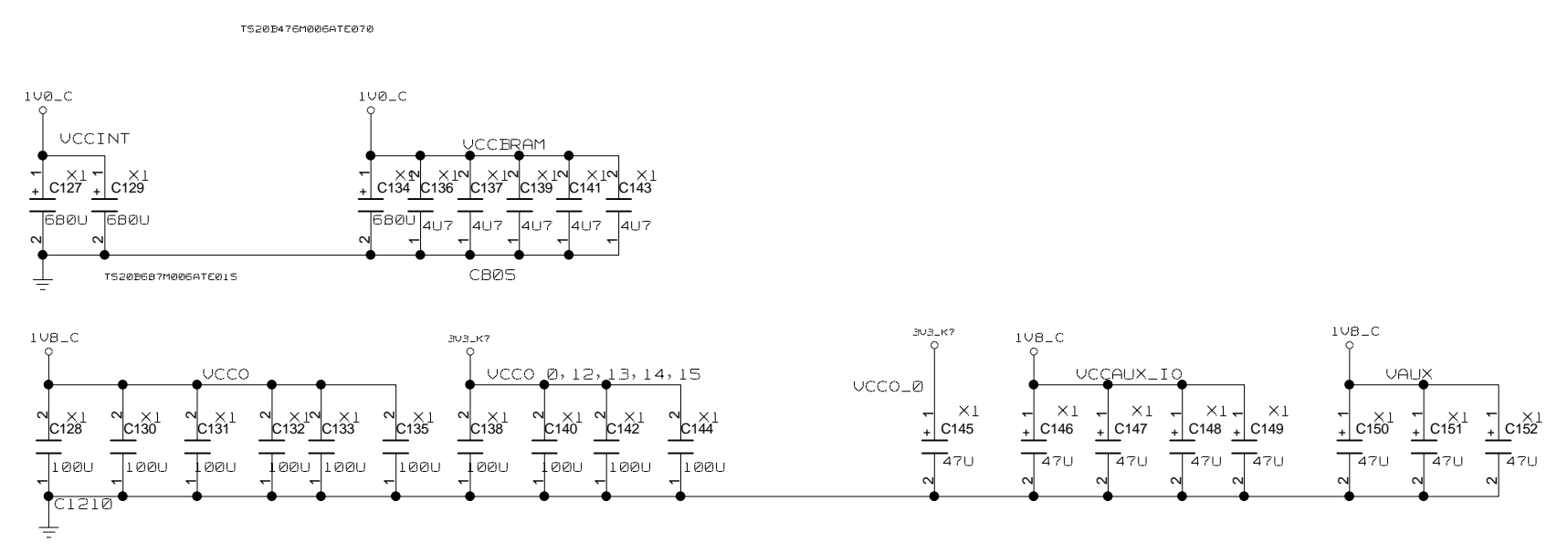
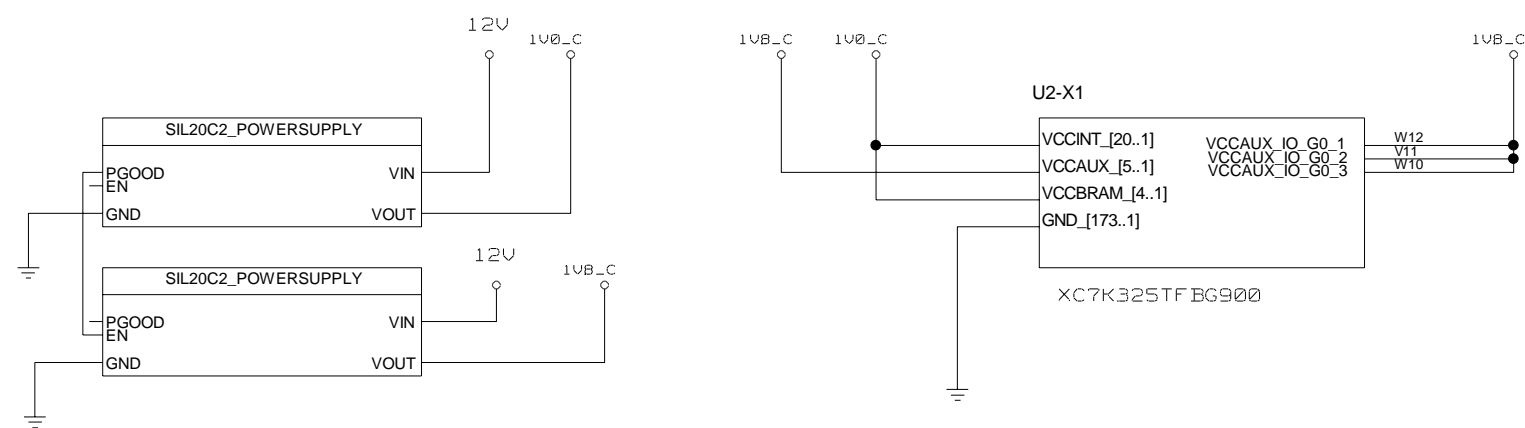


TS20B475H005ATE070



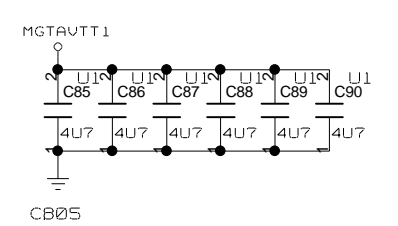
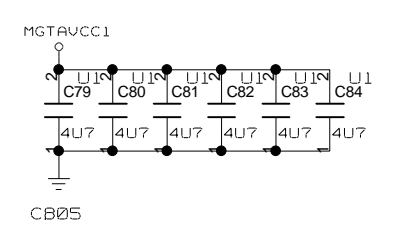
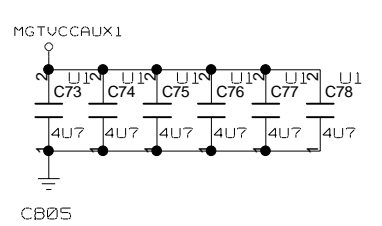
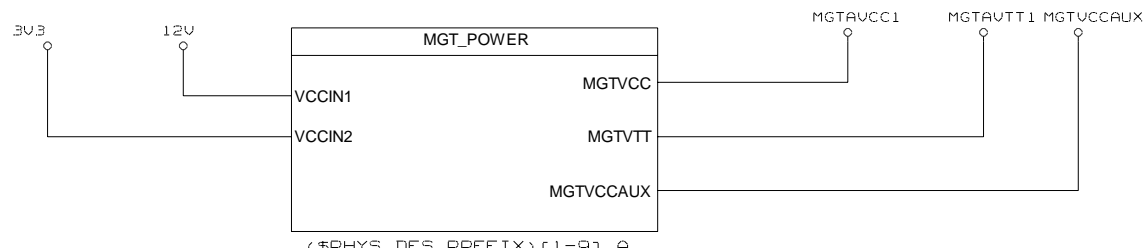
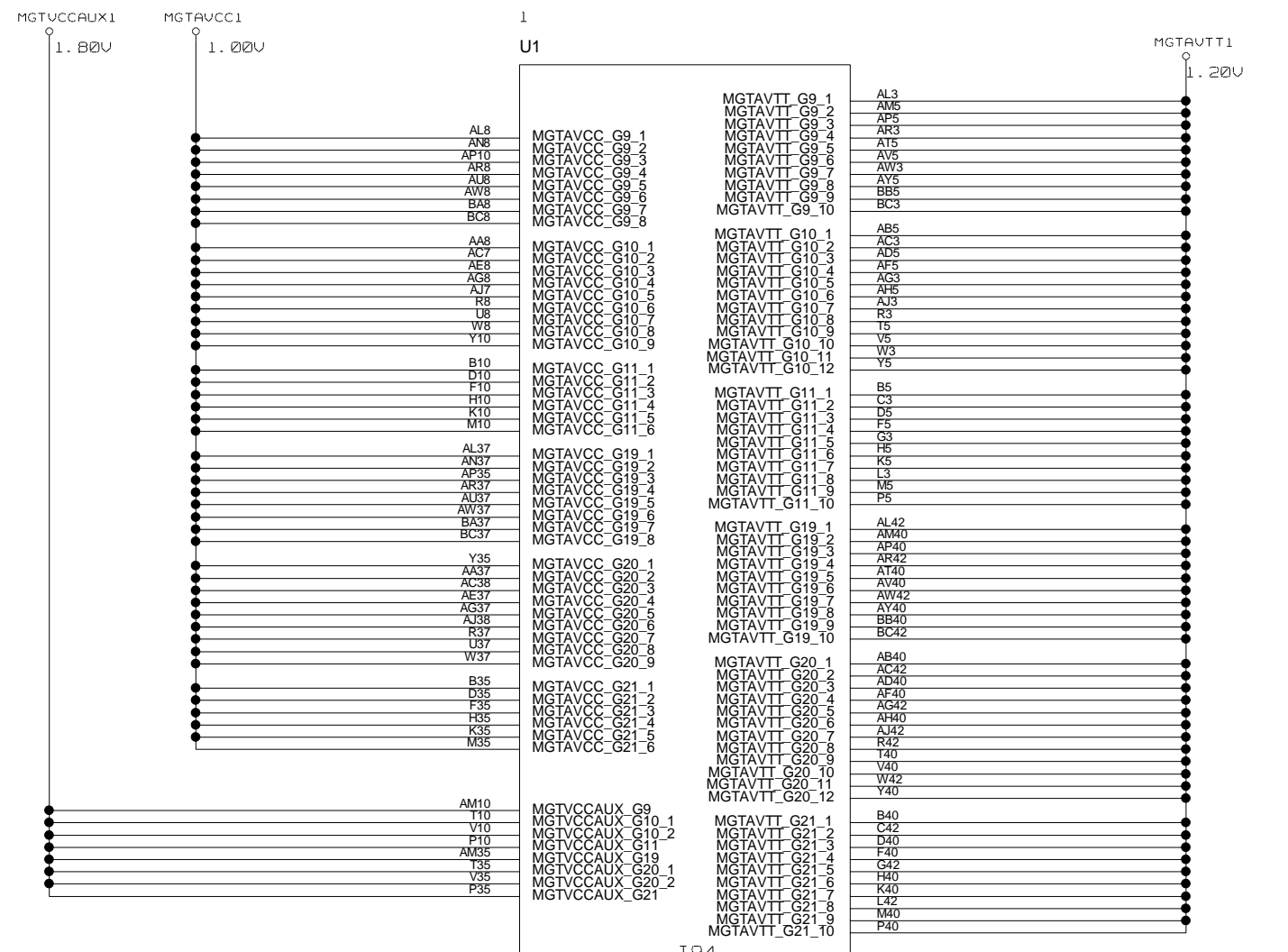
UNIVERSITY OF MAINZ		DRAWING TITLE	
BLOCK: POWERSUPPLY		POWER VIRTEX7	
SIZE <b>C</b>	REV.	DRAWING NO.	
SCALE		SHEET OF	

REVISIONS				
ZONE	LTR	DESCRIPTION	DATE	APPR.



UNIVERSITY OF MAINZ		DRAWING TITLE	
BLOCK: POWERSUPPLY		POWER KINTEX7	
SIZE <b>C</b>	REV.	DRAWING NO.	
SCALE			SHEET OF

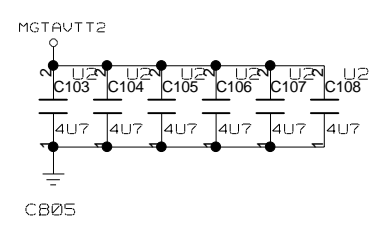
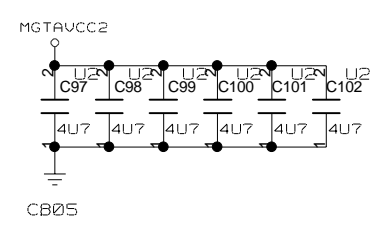
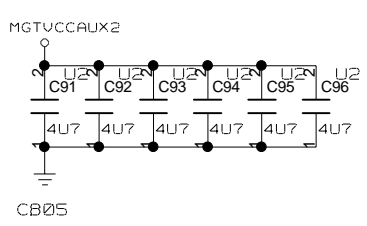
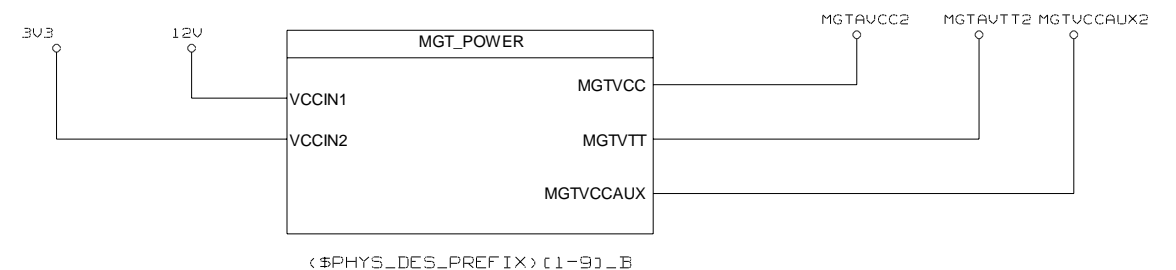
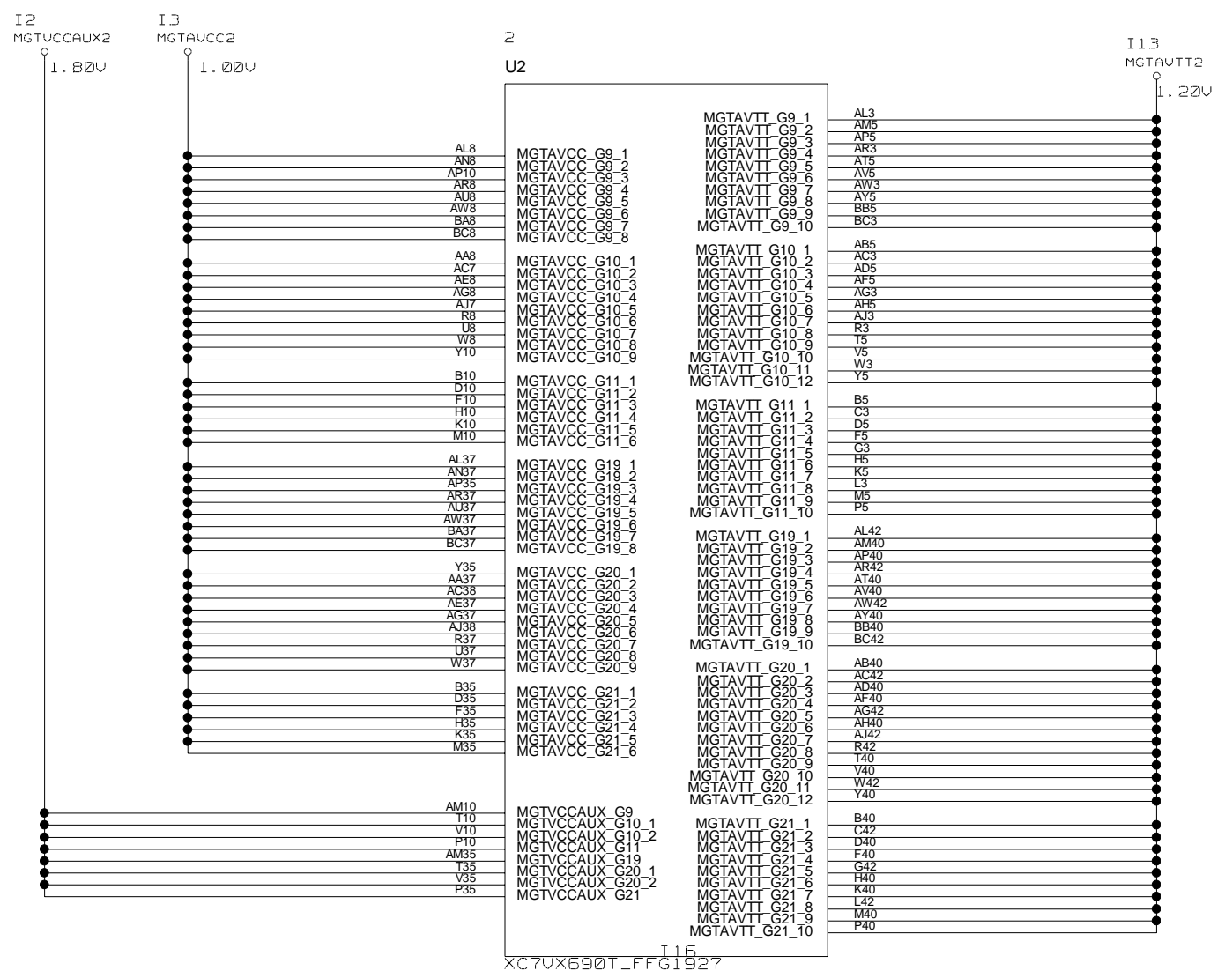
REVISIONS				
ZONE	LTR	DESCRIPTION	DATE	APPR.



UNIVERSITY OF MAINZ		DRAWING TITLE	
BLOCK: POWERSUPPLY		VIRTEX7 MGT POWER	
SIZE <b>C</b>	REV.	DRAWING NO.	
SCALE			SHEET OF

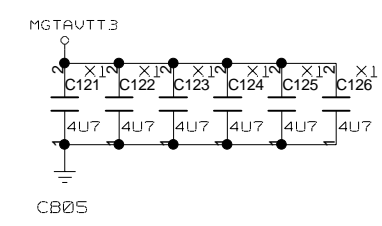
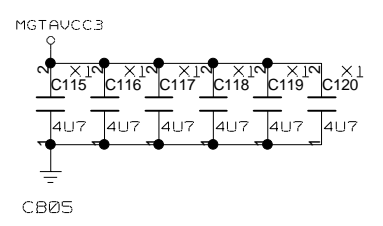
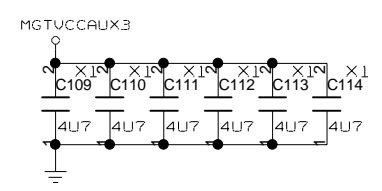
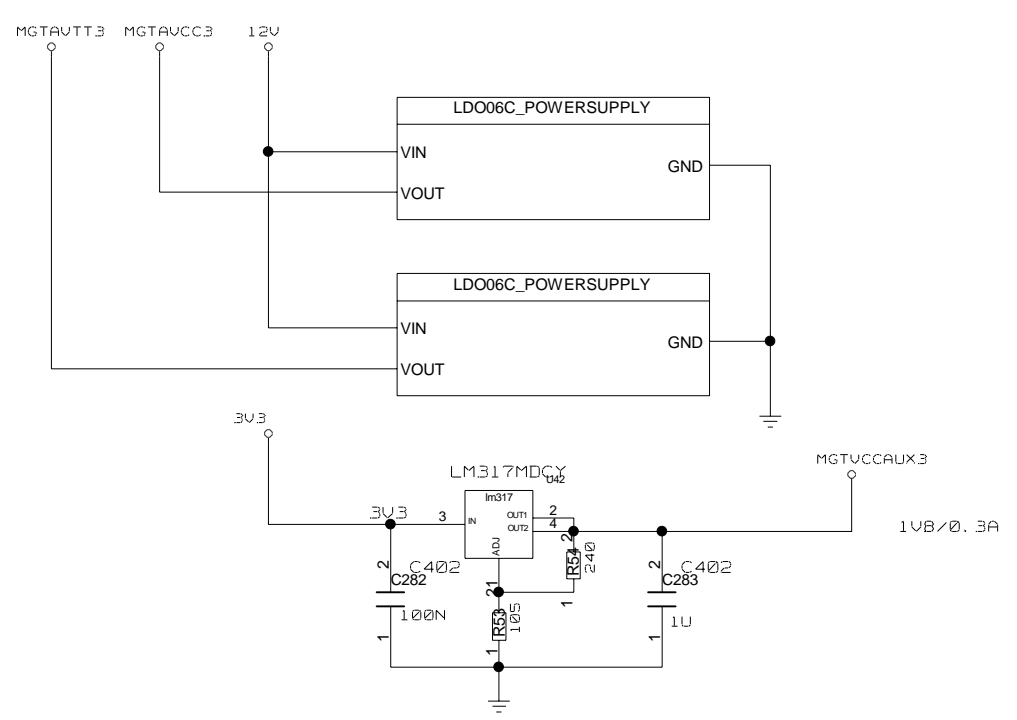
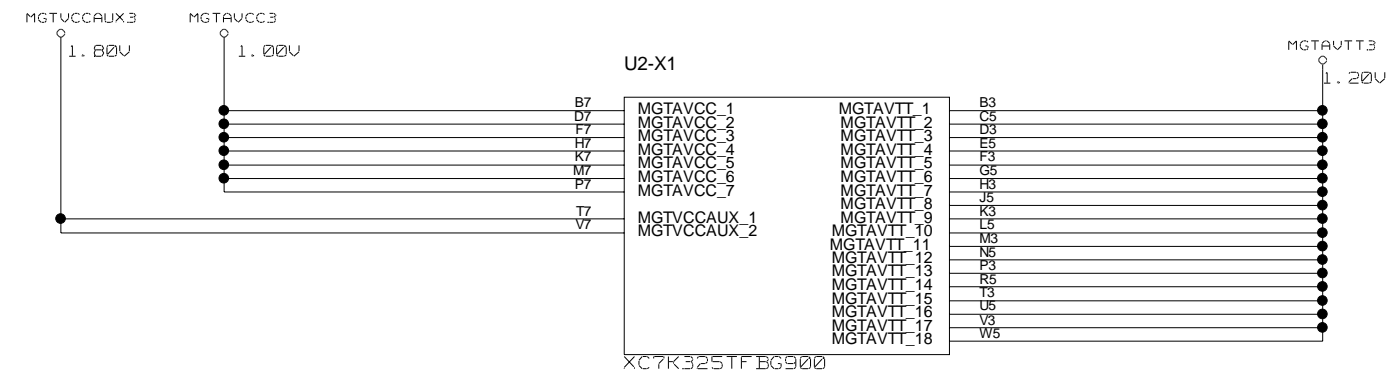


REVISIONS				
ZONE	LTR	DESCRIPTION	DATE	APPR.



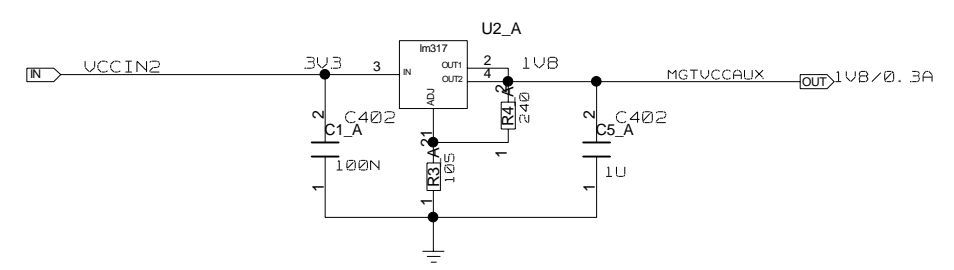
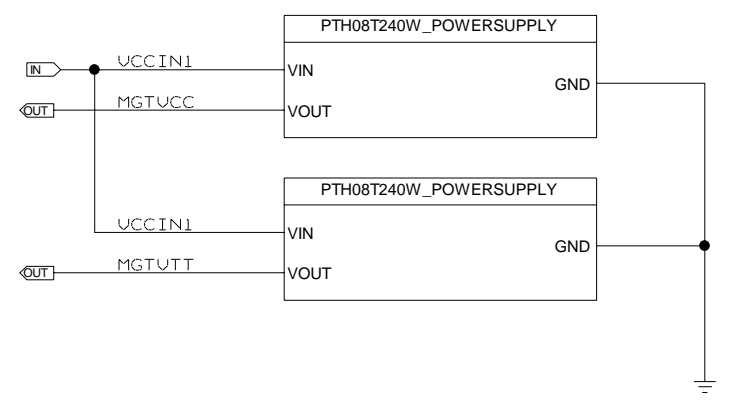
UNIVERSITY OF MAINZ		DRAWING TITLE	
BLOCK: POWERSUPPLY		VIRTEX7 MGT POWER	
SIZE <b>C</b>	REV.	DRAWING NO.	
SCALE		SHEET OF	

REVISIONS				
ZONE	LTR	DESCRIPTION	DATE	APPR.



UNIVERSITY OF MAINZ		DRAWING TITLE	
BLOCK: POWERSUPPLY		KINTEX7 MGT POWER	
SIZE <b>C</b>	REV.	DRAWING NO.	
SCALE			SHEET OF

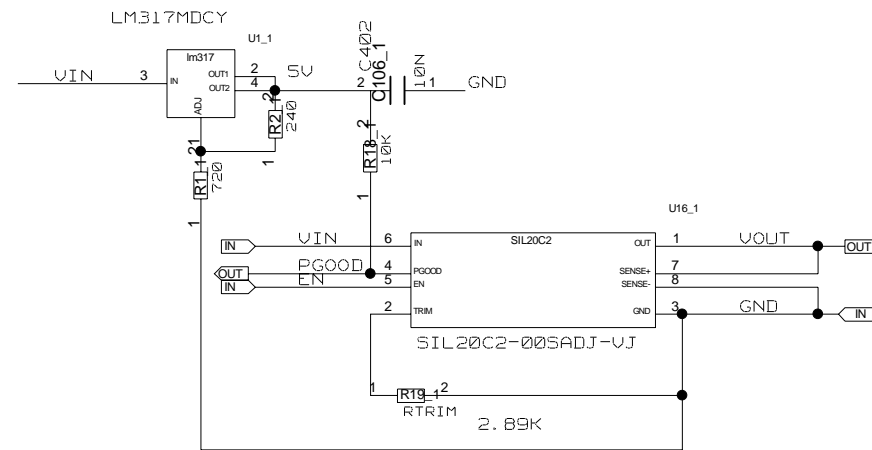
REVISIONS				
ZONE	LTR	DESCRIPTION	DATE	APPR.



UNIVERSITY OF MAINZ	DRAWING TITLE		
	MGT POWER		
BLOCK: POWERSUPPLY MGT_POWER	SIZE <b>C</b>	REV.	DRAWING NO.
SCALE			SHEET OF



REVISIONS				
ZONE	LTR	DESCRIPTION	DATE	APPR.



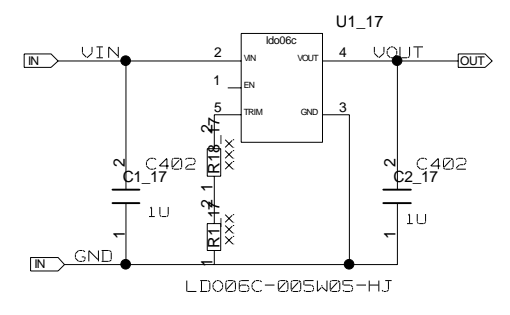
The resistor trim equation for the SIL20C2 is as follows:

$$R_{trim} \text{ (k}\Omega\text{)} = \frac{1.182}{(V_{out} - 0.591)}$$

UNIVERSITY OF MAINZ	DRAWING TITLE		
	SIL20C2_POWERSUPPLY		
SIZE	REV.	DRAWING NO.	
<b>C</b>			
SCALE			SHEET OF

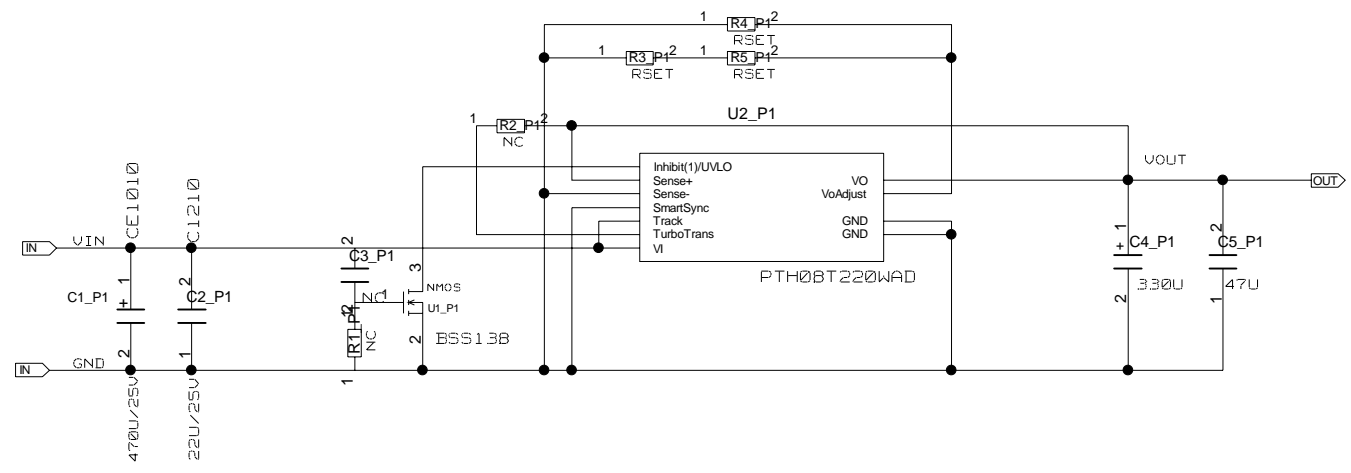
REVISIONS

ZONE	LTR	DESCRIPTION	DATE	APPR.



UNIVERSITY OF MAINZ	DRAWING TITLE		
	LD006C_POWERSUPPLY		
	SIZE <b>C</b>	REV.	DRAWING NO.
SCALE			SHEET OF

REVISIONS				
ZONE	LTR	DESCRIPTION	DATE	APPR.



$$R_{SET} = 10 \text{ k}\Omega \times \frac{0.69}{V_O - 0.69} - 1.43 \text{ k}\Omega$$

**Table 1. Standard Values of R<sub>SET</sub> for Standard Output Voltages**

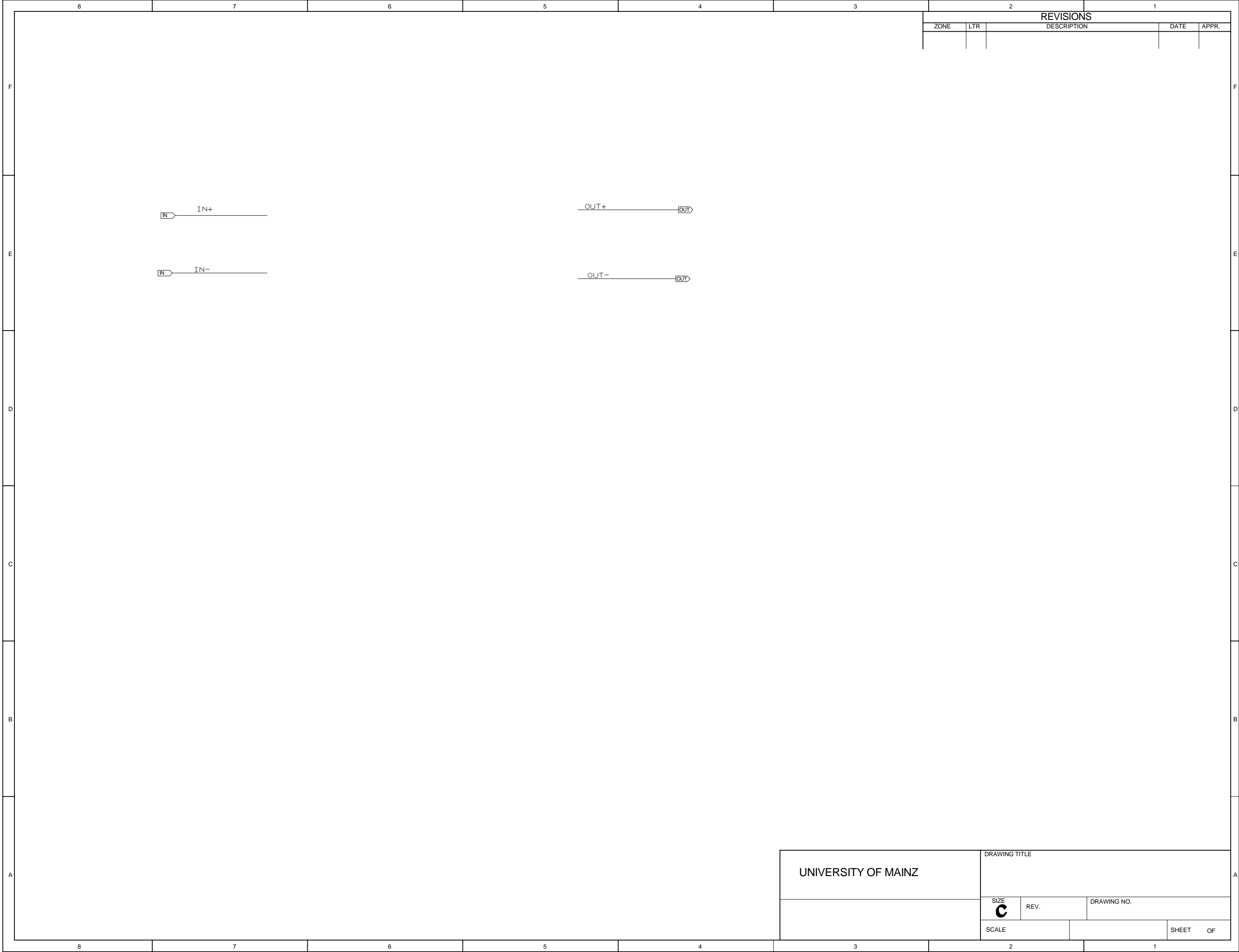
V <sub>O</sub> (Standard)	R <sub>SET</sub> (Standard Value)	V <sub>O</sub> (Actual)
5.0 V <sup>(1)</sup>	169 Ω	5.005 V
3.3 V	1.21 kΩ	3.304 V
2.5 V	2.37 kΩ	2.506 V
1.8 V	4.75 kΩ	1.807 V
1.5 V	6.98 kΩ	1.510 V
1.2 V <sup>(2)</sup>	12.1 kΩ	1.200 V
1.0 V <sup>(2)</sup>	20.5 kΩ	1.004 V
0.7 V <sup>(2)</sup>	681 kΩ	0.700 V

UNIVERSITY OF MAINZ

DRAWING TITLE  
PTH08T220W\_POWER SUPPLY

SIZE **C** REV. DRAWING NO.

SCALE SHEET OF

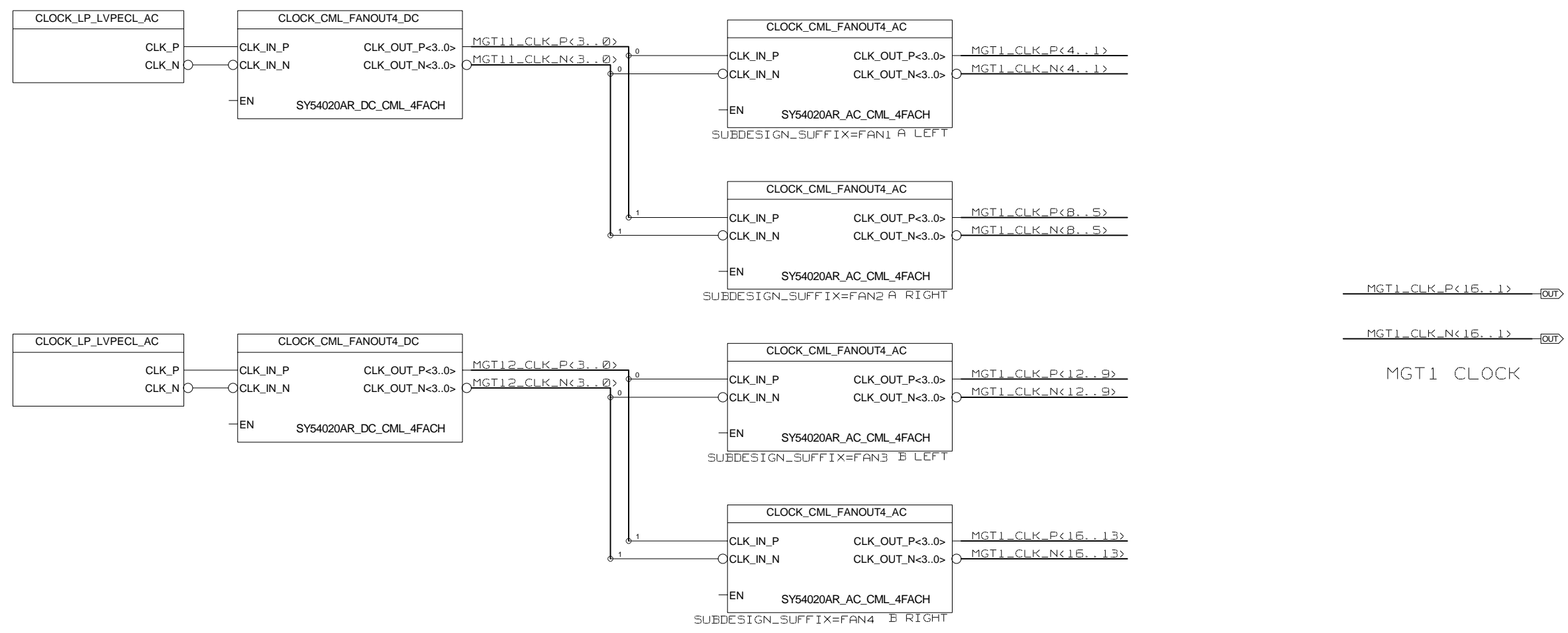


REVISIONS				
ZONE	LTR	DESCRIPTION	DATE	APPR.

UNIVERSITY OF MAINZ	DRAWING TITLE			
	SIZE <b>C</b>	REV.	DRAWING NO.	
	SCALE		SHEET	OF



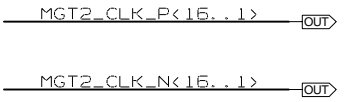
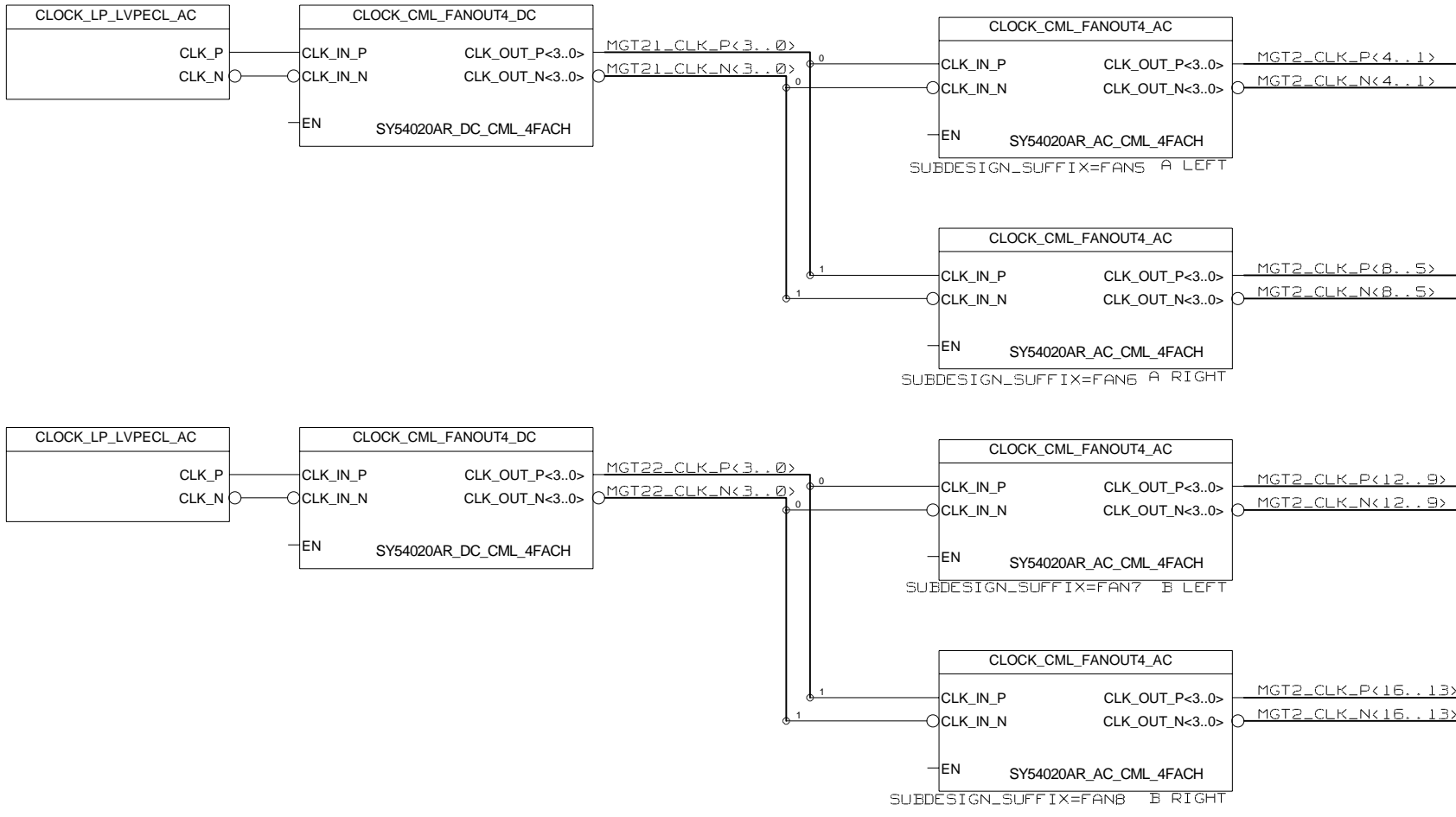
REVISIONS				
ZONE	LTR	DESCRIPTION	DATE	APPR.



MGT1 CLOCK

UNIVERSITY OF MAINZ	DRAWING TITLE		
	MGT1 CLOCK CML		
BLOCK: CLOCK	SIZE	REV.	DRAWING NO.
	<b>C</b>		
SCALE			SHEET OF

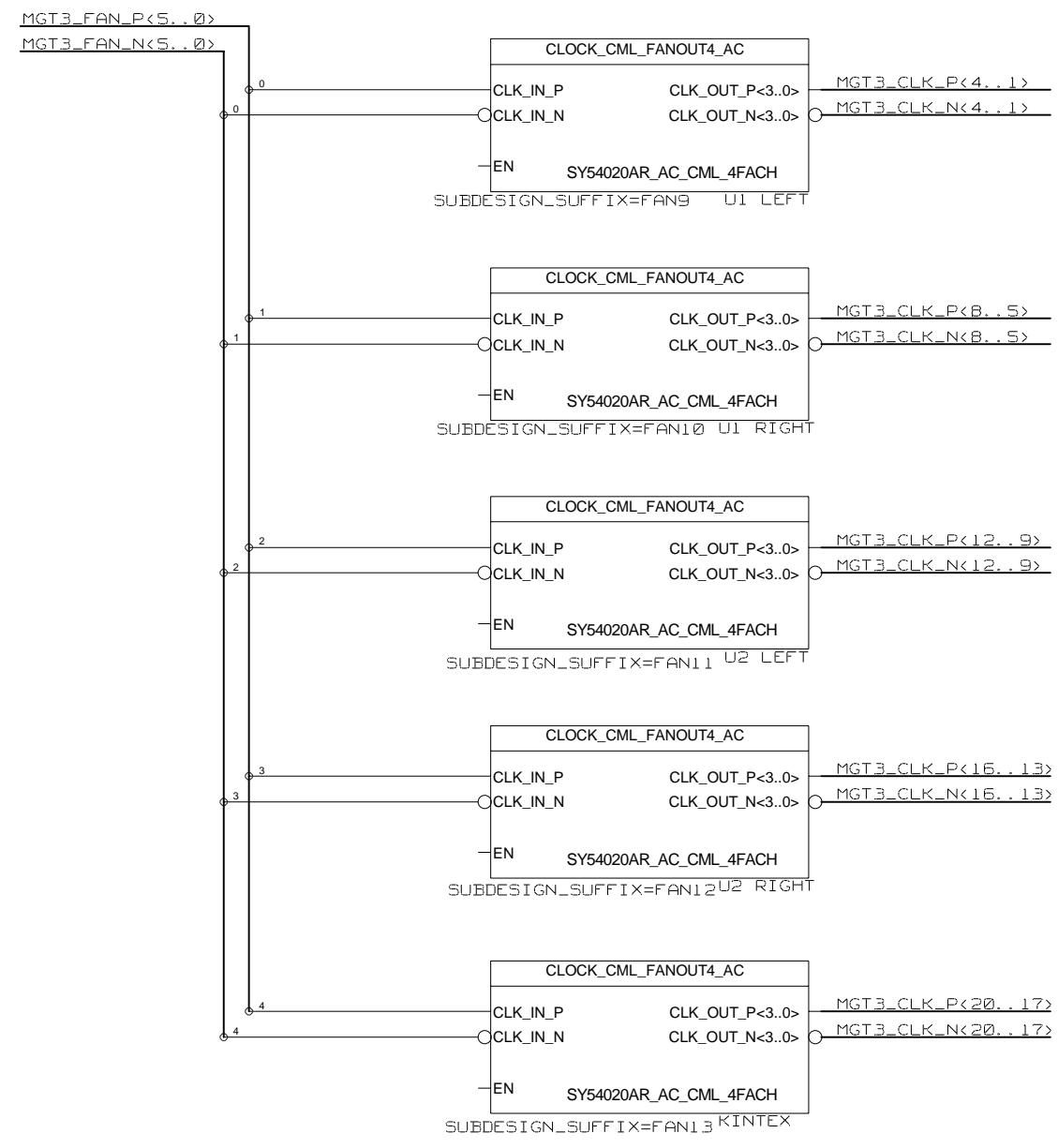
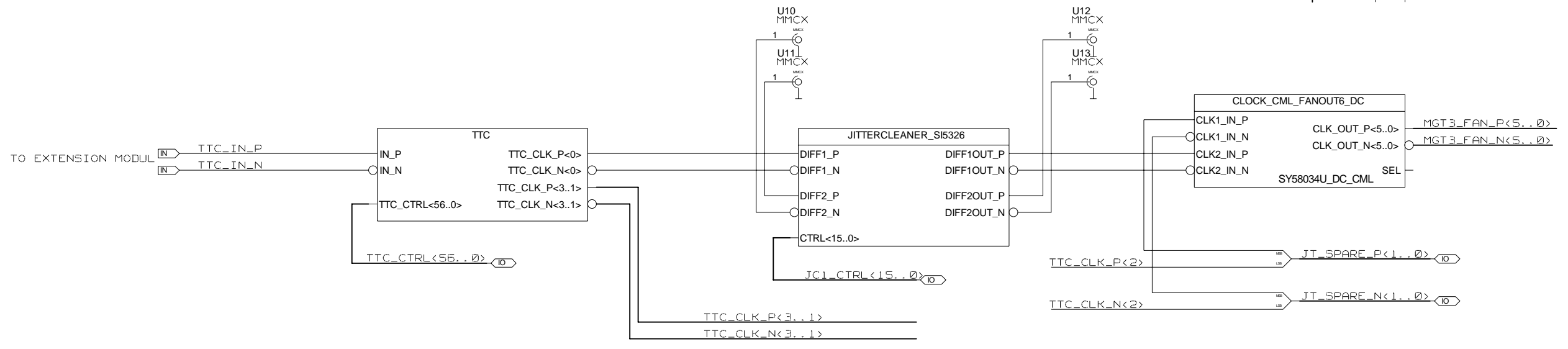
REVISIONS				
ZONE	LTR	DESCRIPTION	DATE	APPR.



MGT2 CLOCK

UNIVERSITY OF MAINZ	DRAWING TITLE		
	MGT2 CLOCK CML		
BLOCK: CLOCK	SIZE <b>C</b>	REV.	DRAWING NO.
	SCALE		SHEET OF

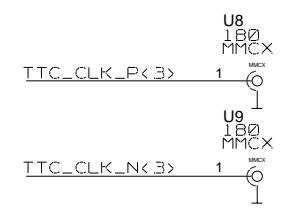
REVISIONS				
ZONE	LTR	DESCRIPTION	DATE	APPR.



MGT3\_CLK\_P<20..1> **OUT**

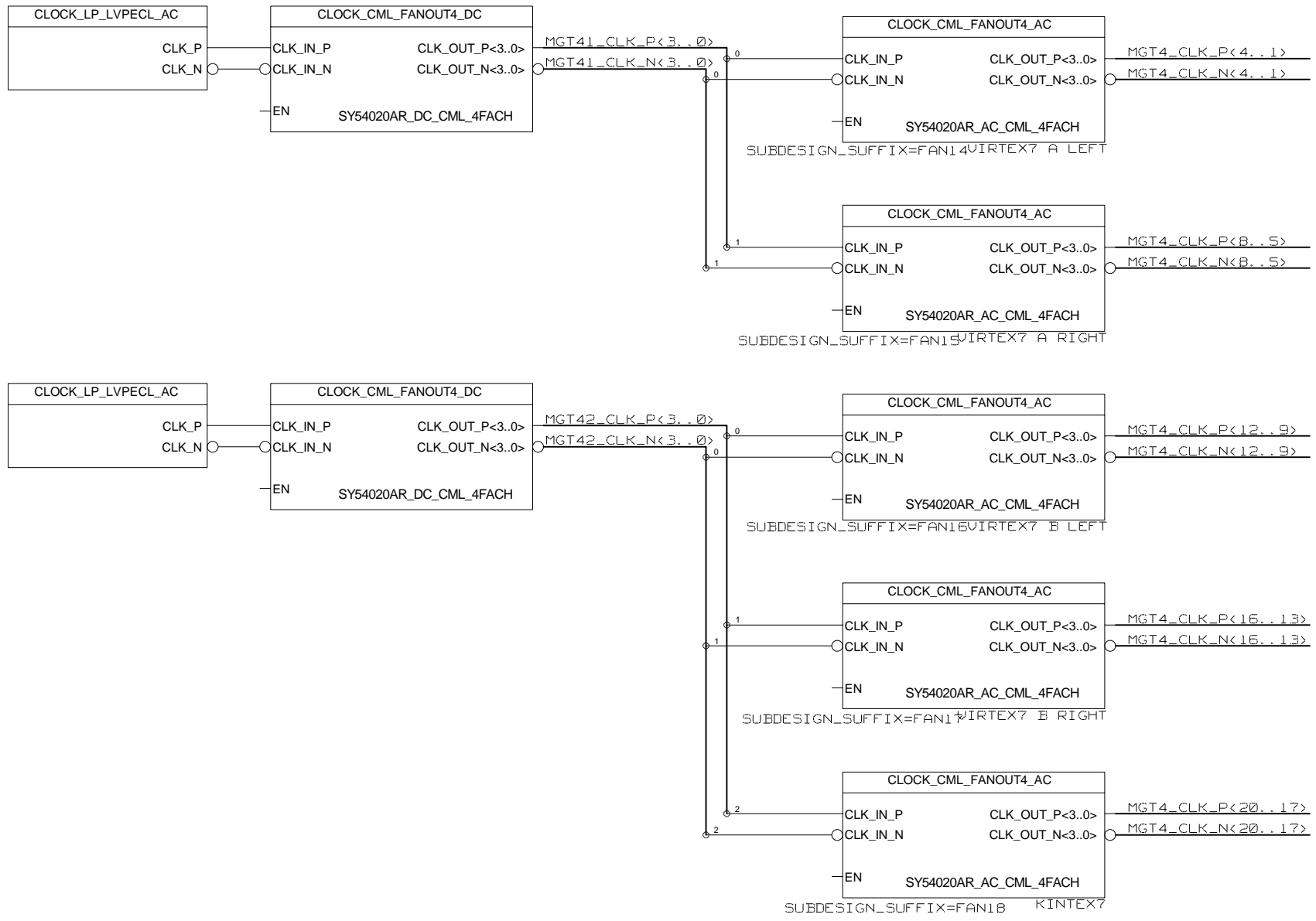
MGT3\_CLK\_N<20..1> **OUT**

MGT3 CLOCK



UNIVERSITY OF MAINZ		DRAWING TITLE	
BLOCK: CLOCK		MGT3 CLOCK CML	
SIZE	REV.	DRAWING NO.	
<b>C</b>			
SCALE			SHEET OF

REVISIONS				
ZONE	LTR	DESCRIPTION	DATE	APPR.



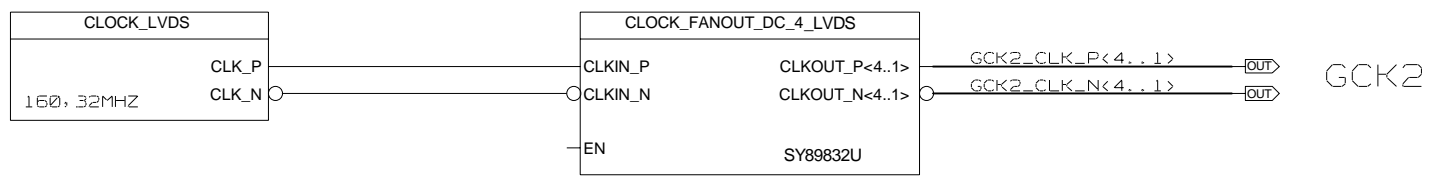
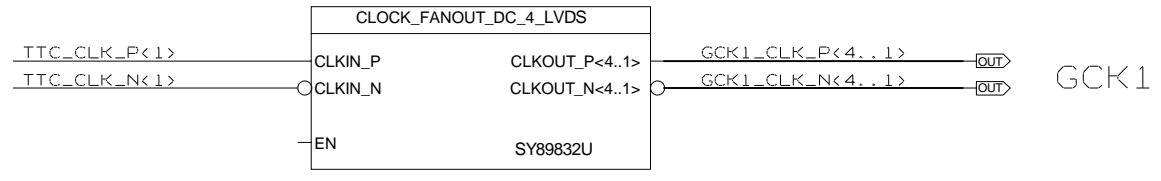
MGT4\_CLK\_P<20..1> OUT

MGT4\_CLK\_N<20..1> OUT

MGT4 CLOCK

UNIVERSITY OF MAINZ	DRAWING TITLE		
	MGT4 CLOCK CML		
BLOCK: CLOCK	SIZE <b>C</b>	REV.	DRAWING NO.
	SCALE		SHEET OF

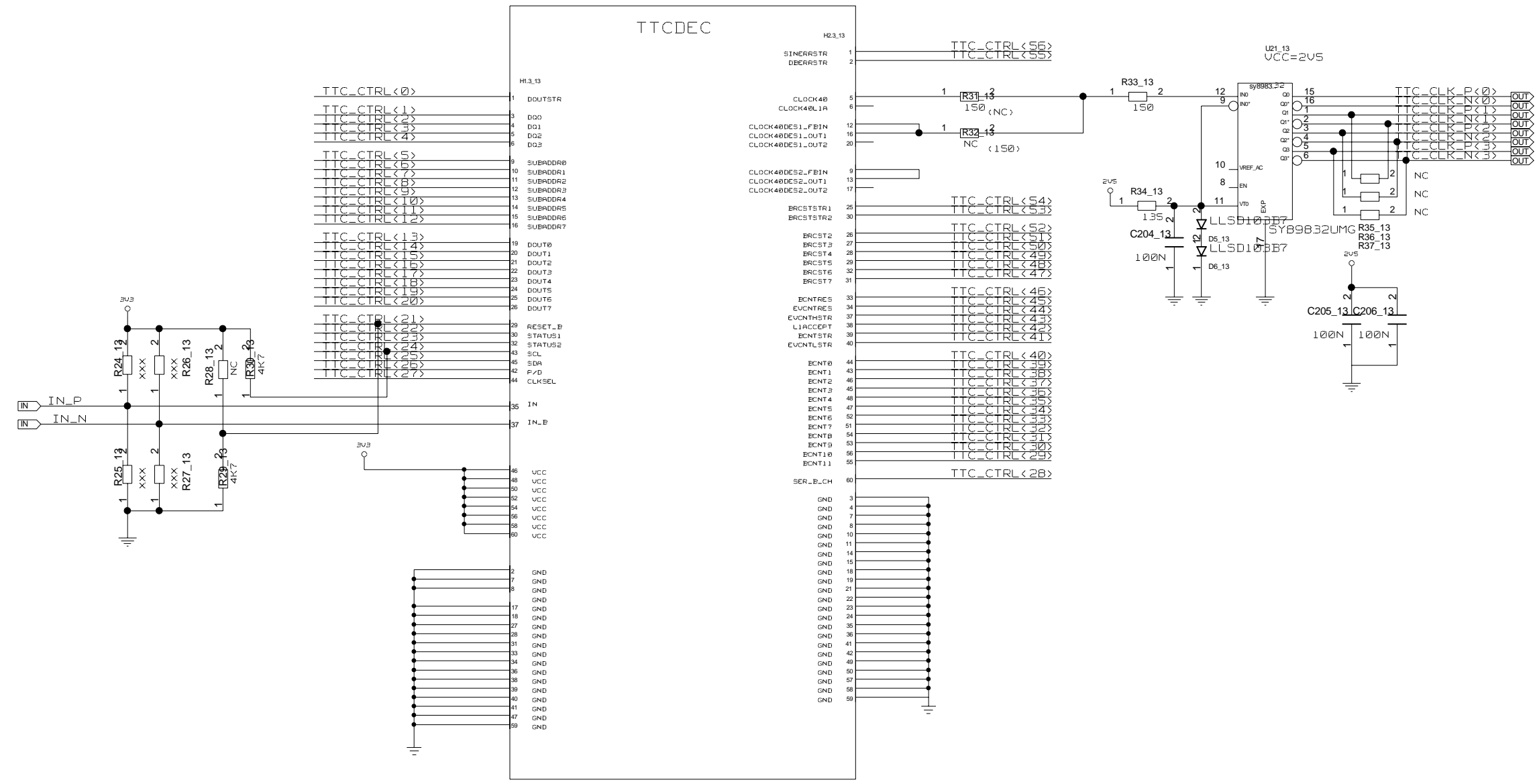
REVISIONS				
ZONE	LTR	DESCRIPTION	DATE	APPR.



UNIVERSITY OF MAINZ	DRAWING TITLE		
	GCK1+2 CLOCK LVDS		
BLOCK: CLOCK	SIZE <b>C</b>	REV.	DRAWING NO.
	SCALE		SHEET OF

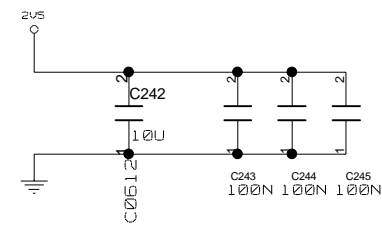
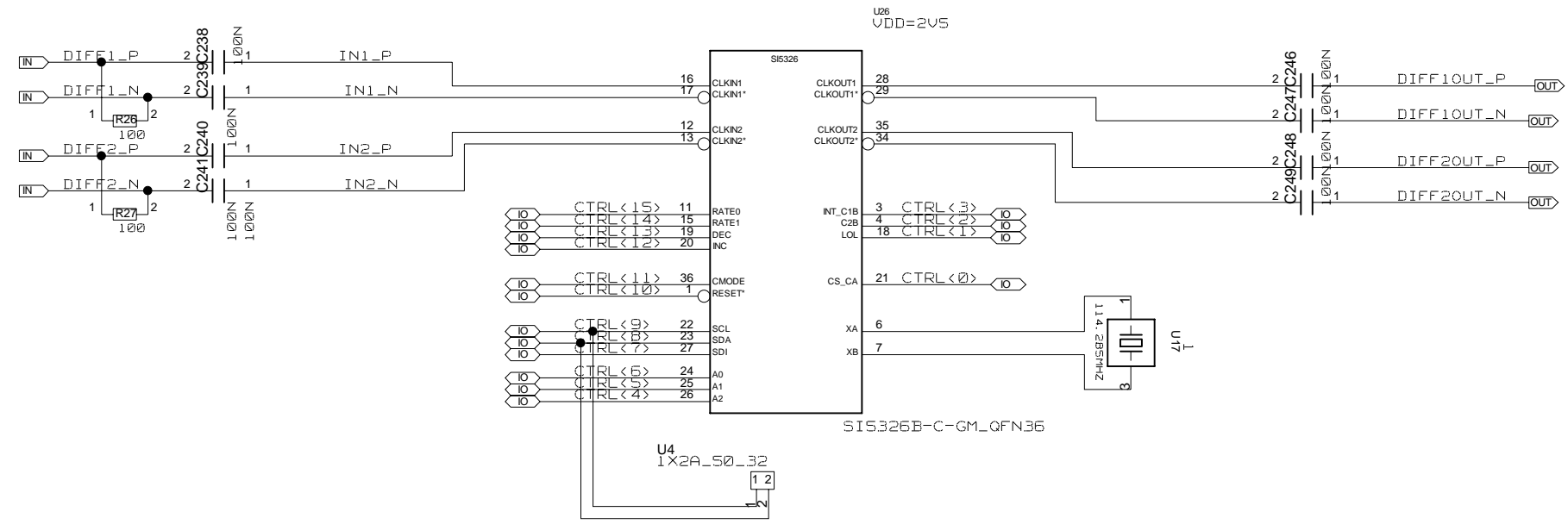
REVISIONS				
ZONE	LTR	DESCRIPTION	DATE	APPR.

TTC\_CTRL<55..0>



UNIVERSITY OF MAINZ		DRAWING TITLE TTC	
SIZE <b>C</b>	REV.	DRAWING NO.	
SCALE	SHEET		OF

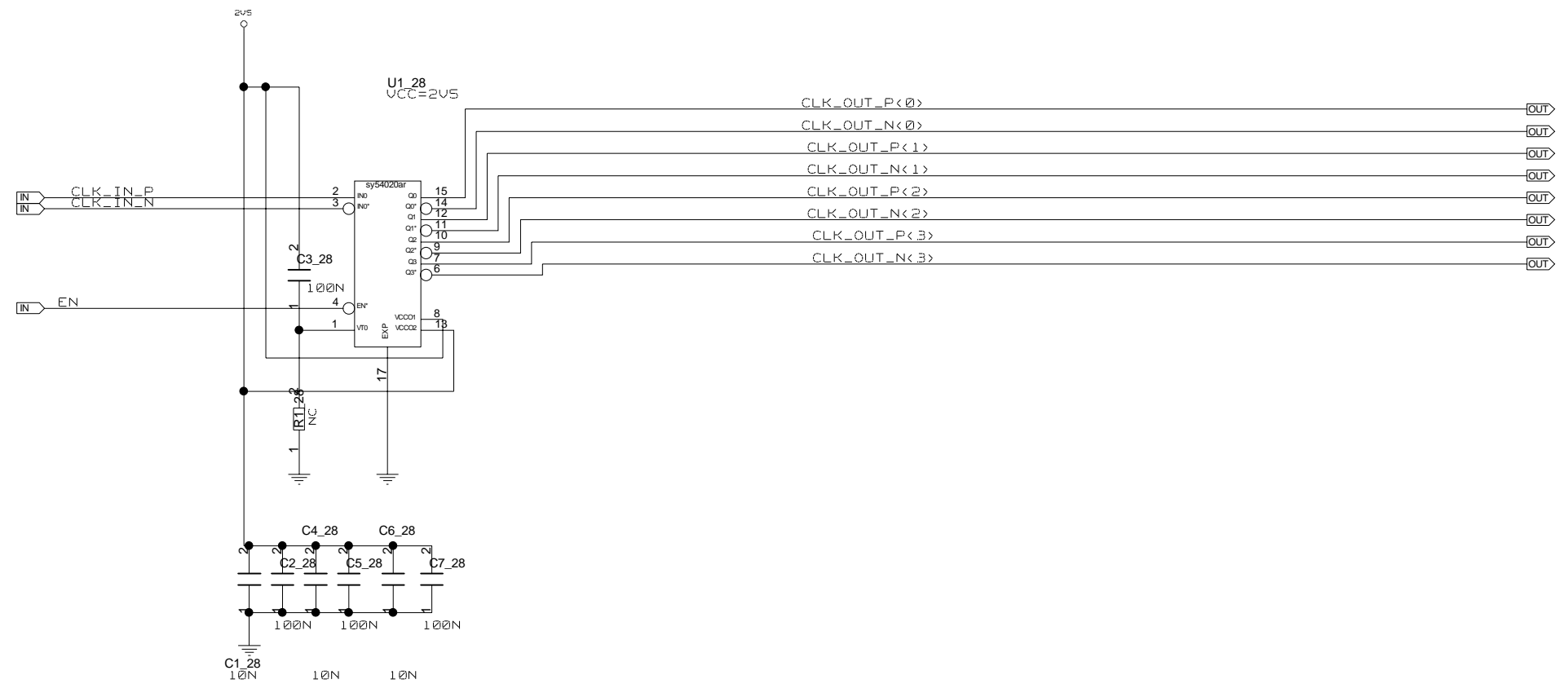
REVISIONS				
ZONE	LTR	DESCRIPTION	DATE	APPR.



UNIVERSITY OF MAINZ

DRAWING TITLE		DRAWING NO.	
JITTERCLEANER_SI5326			
SIZE	REV.		
<b>C</b>			
SCALE		SHEET OF	

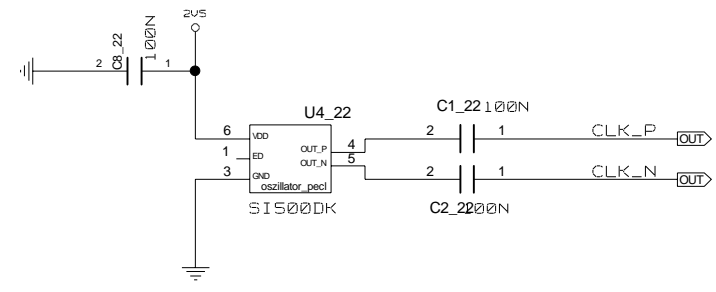
REVISIONS				
ZONE	LTR	DESCRIPTION	DATE	APPR.



UNIVERSITY OF MAINZ	DRAWING TITLE		
	CLOCK_CML_FANOUT4_DC		
SIZE	REV.	DRAWING NO.	
<b>C</b>			
SCALE			SHEET OF

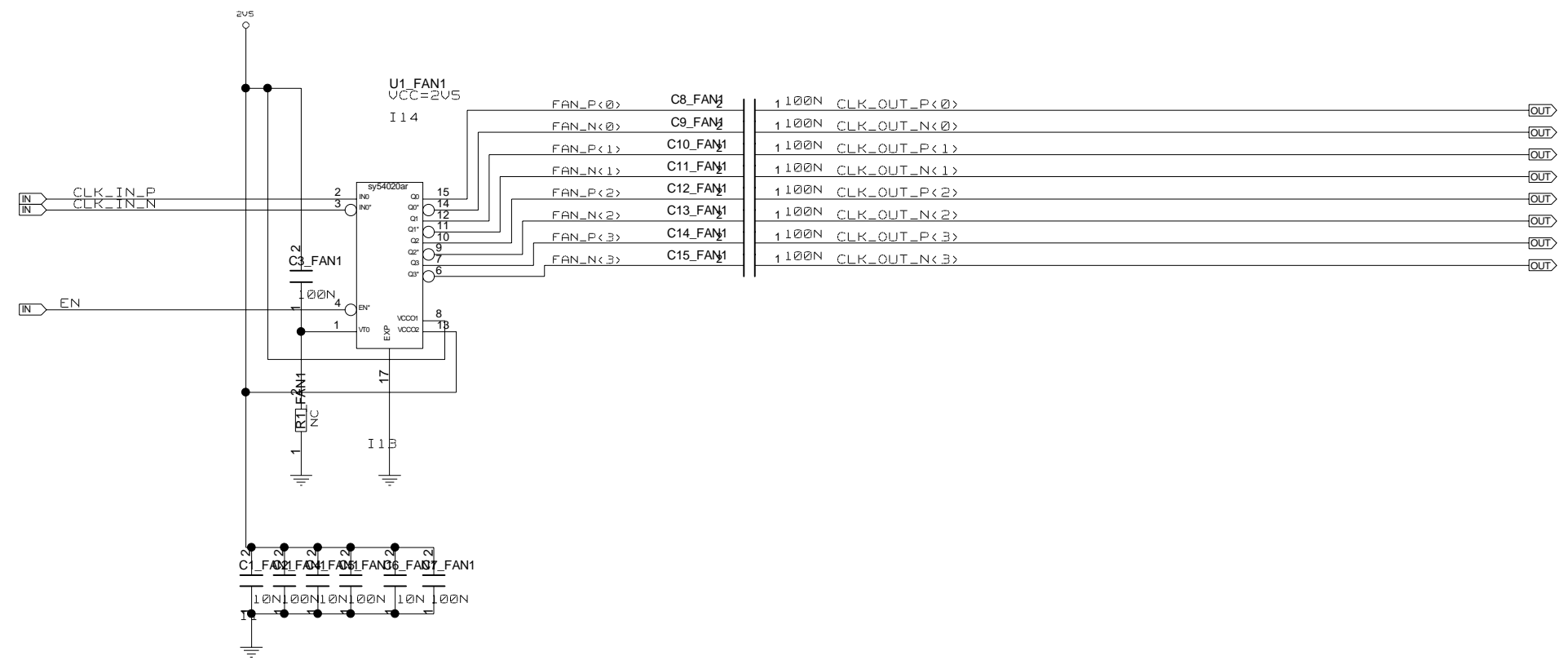


REVISIONS				
ZONE	LTR	DESCRIPTION	DATE	APPR.



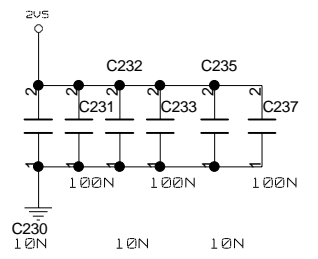
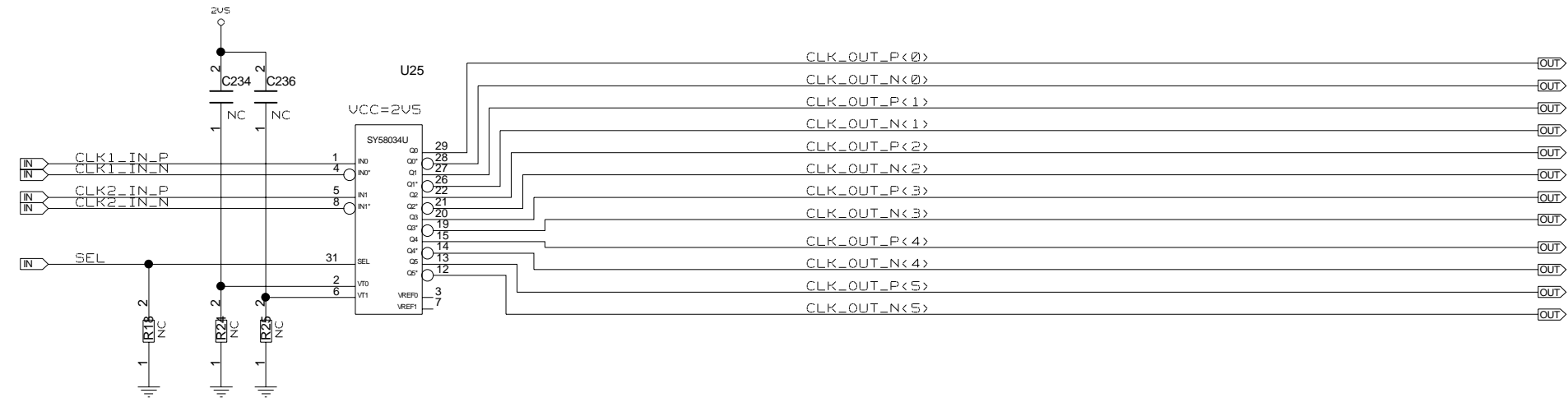
UNIVERSITY OF MAINZ	DRAWING TITLE		
	CLOCK_LP_LVPECL_AC		
SIZE	REV.	DRAWING NO.	
<b>C</b>			
SCALE			SHEET OF

REVISIONS				
ZONE	LTR	DESCRIPTION	DATE	APPR.



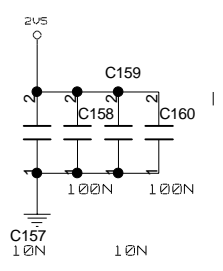
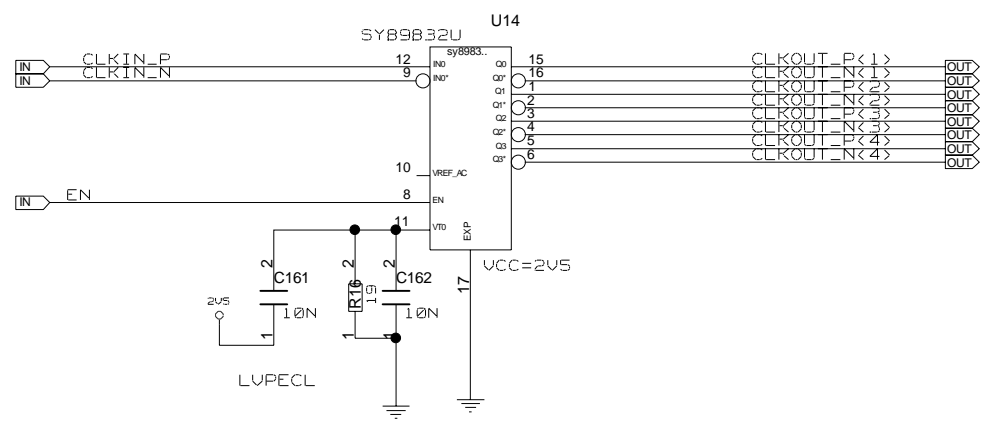
UNIVERSITY OF MAINZ	DRAWING TITLE		
	CLOCK_CML_FANOUT4_AC		
SIZE	REV.	DRAWING NO.	
<b>C</b>			
SCALE			SHEET OF

REVISIONS				
ZONE	LTR	DESCRIPTION	DATE	APPR.

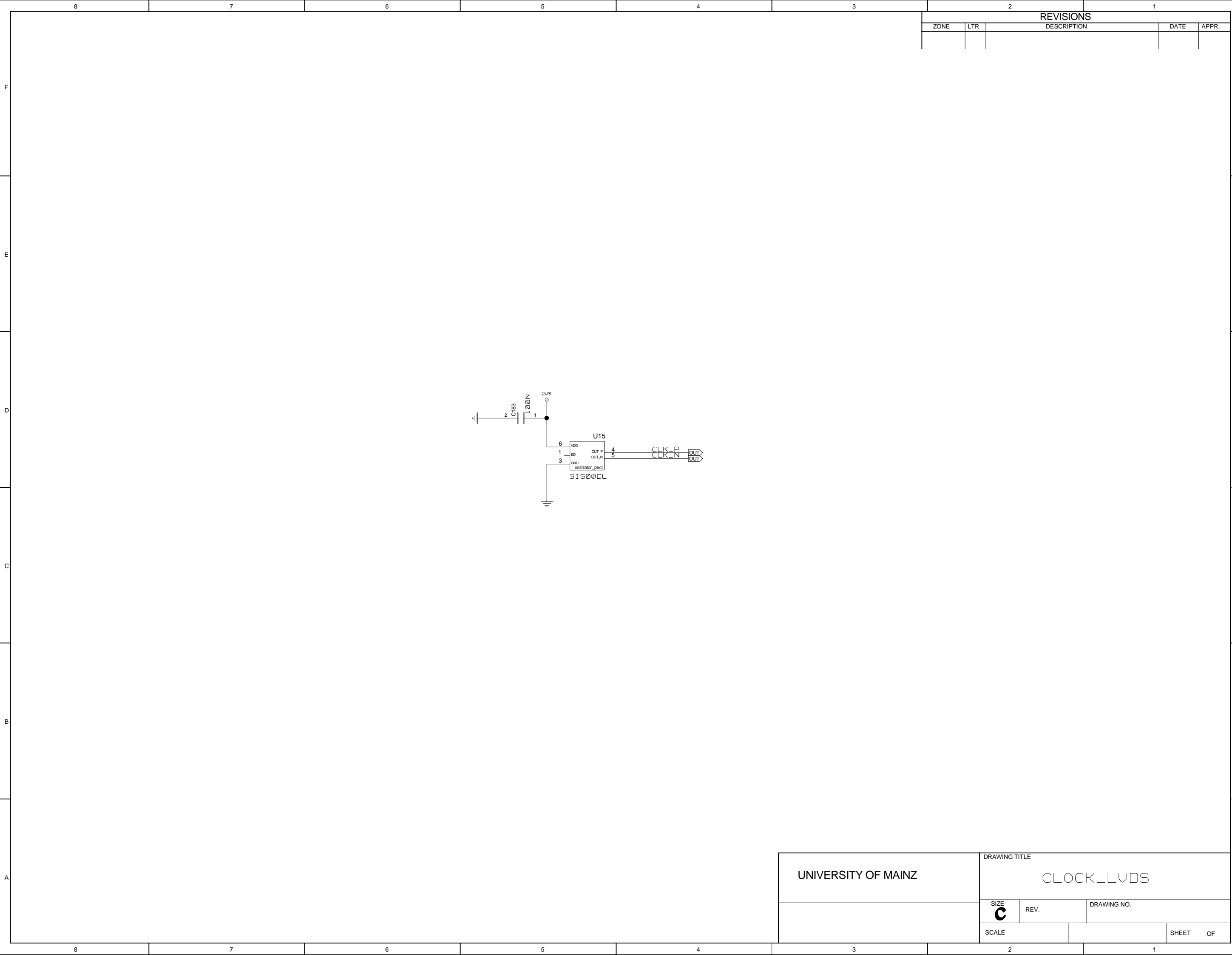


UNIVERSITY OF MAINZ	DRAWING TITLE		
	CLOCK_CML_FANOUT6_DC		
	SIZE <b>C</b>	REV.	DRAWING NO.
SCALE			SHEET OF

REVISIONS				
ZONE	LTR	DESCRIPTION	DATE	APPR.



UNIVERSITY OF MAINZ	DRAWING TITLE		
	CLOCK_FANOUT_DC_4_LVDS		
SIZE	REV.	DRAWING NO.	
C			
SCALE			SHEET OF



REVISIONS				
ZONE	LTR	DESCRIPTION	DATE	APPR.

UNIVERSITY OF MAINZ	DRAWING TITLE		
	CLOCK_LLVD5		
	SIZE	REV.	DRAWING NO.
SCALE			SHEET OF

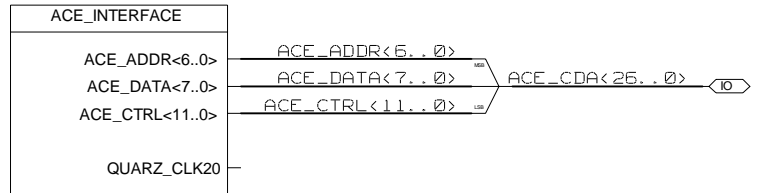
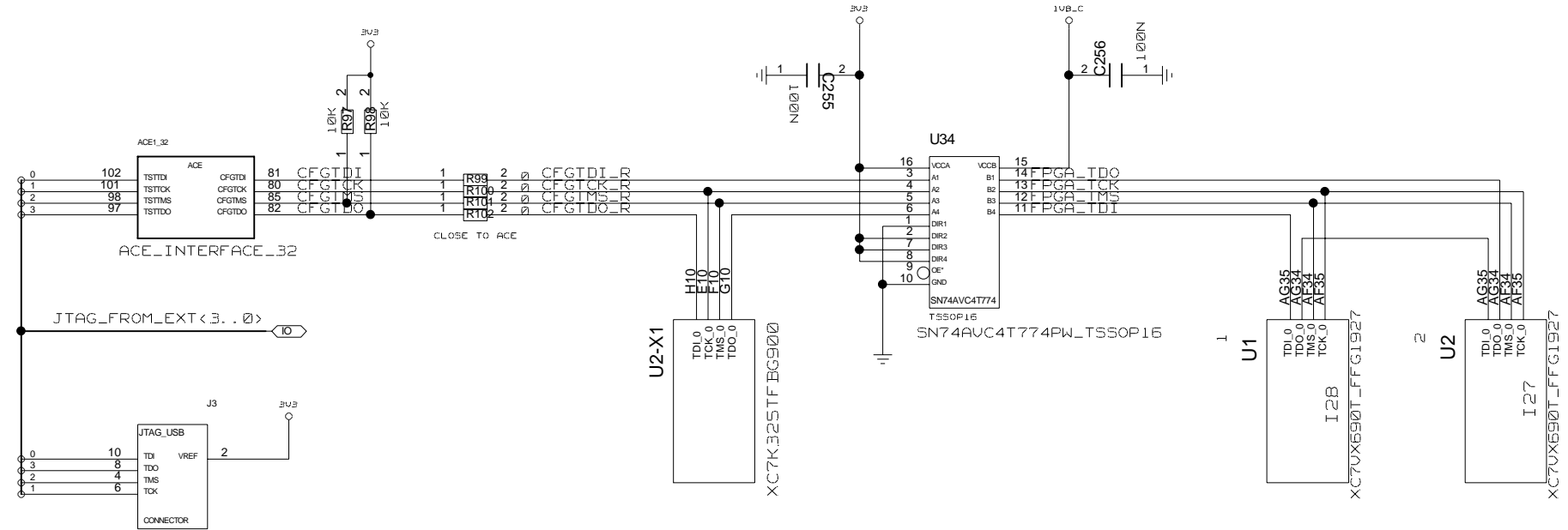
REVISIONS				
ZONE	LTR	DESCRIPTION	DATE	APPR.

- GCK2\_CLK\_N<4..1>
- GCK2\_CLK\_P<4..1>
- GCK1\_CLK\_N<4..1>
- GCK1\_CLK\_P<4..1>



UNIVERSITY OF MAINZ	DRAWING TITLE		
	BOARDCONTROL		
BLOCK: CONTROL	SIZE <b>C</b>	REV.	DRAWING NO.
	SCALE		SHEET OF

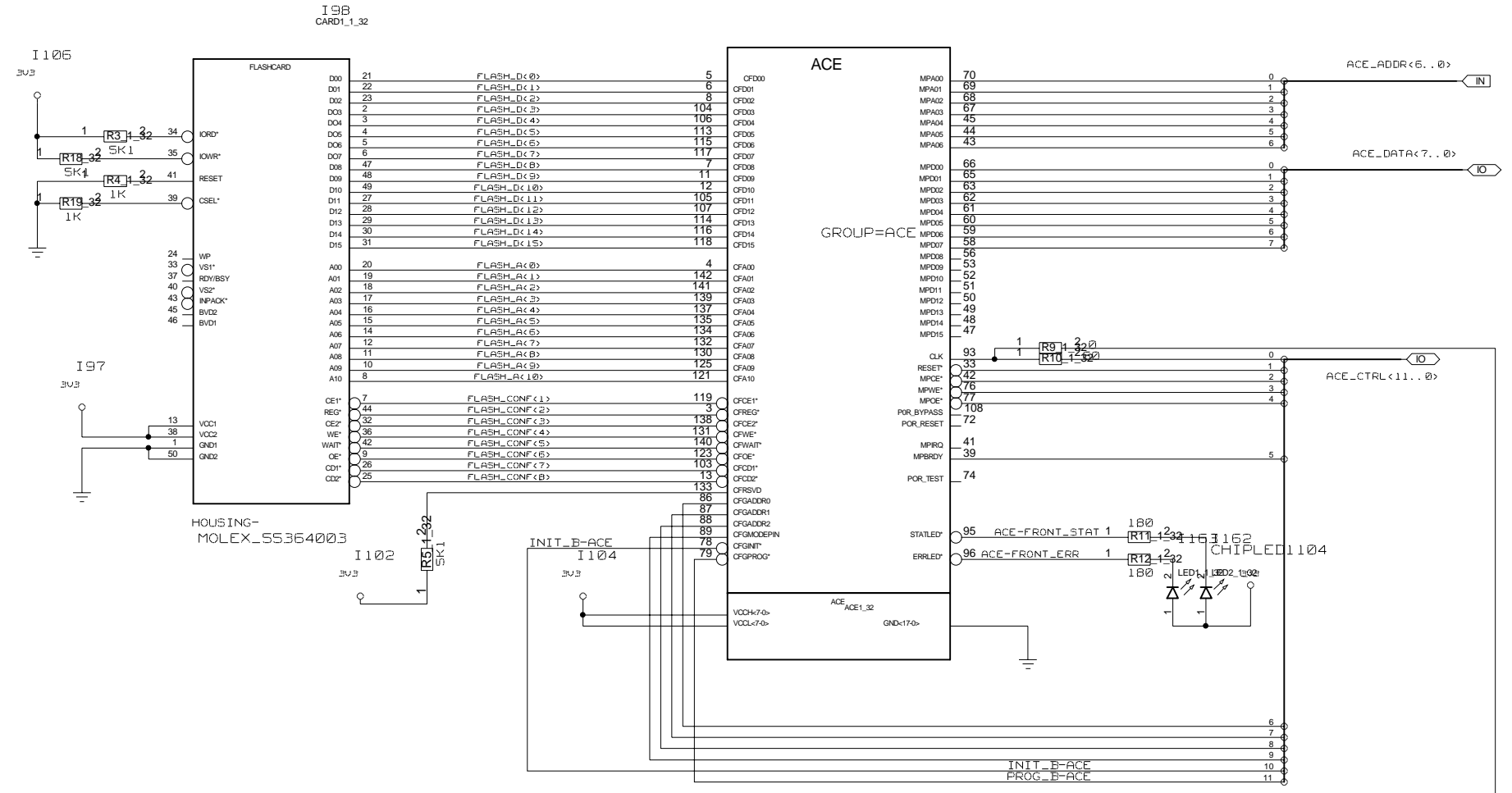
REVISIONS				
ZONE	LTR	DESCRIPTION	DATE	APPR.



UNIVERSITY OF MAINZ		DRAWING TITLE	
BLOCK: CONTROL JTAG		JTAG + ACE INTERFACE	
SIZE	REV.	DRAWING NO.	
C			
SCALE			SHEET OF

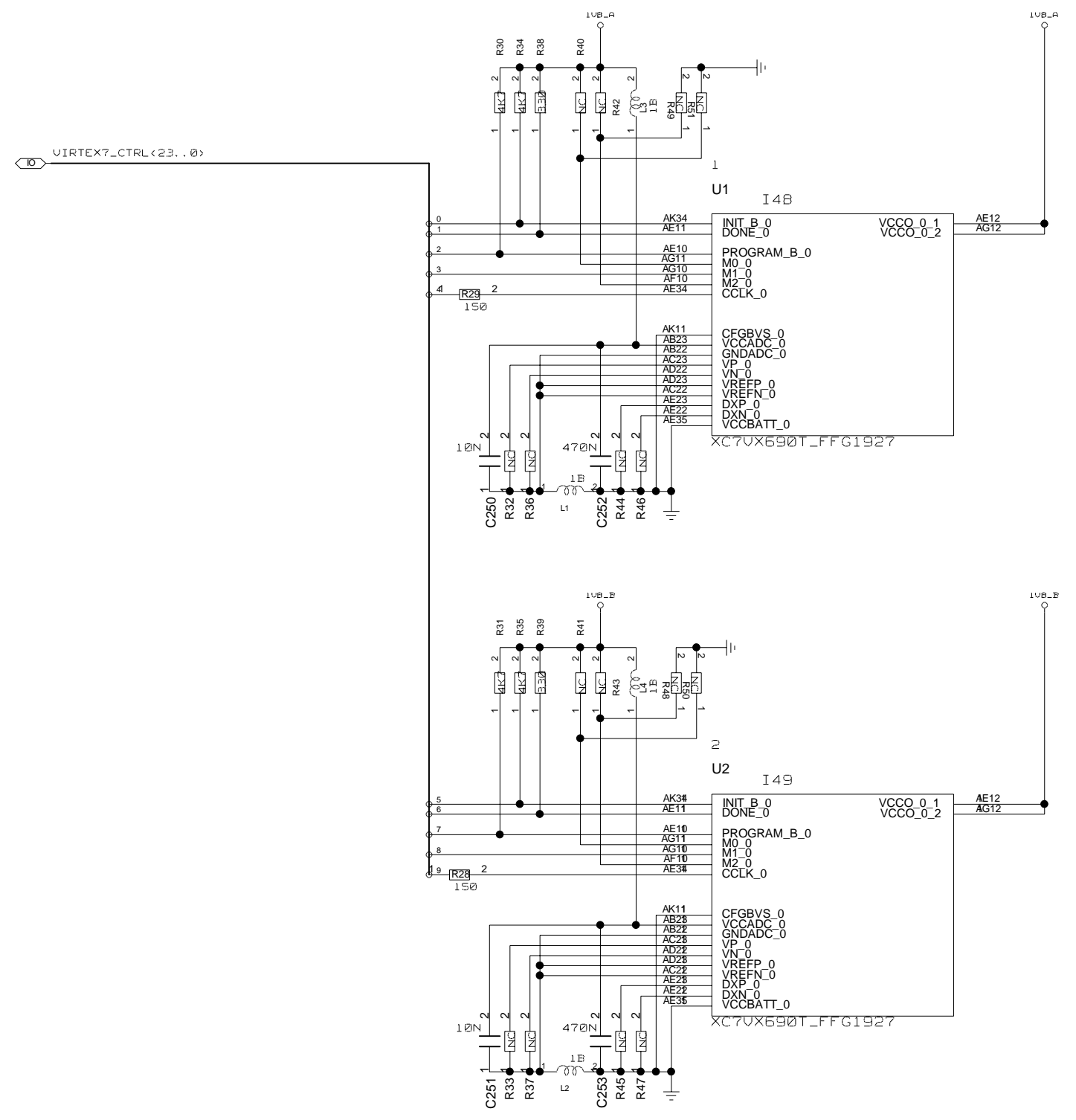
REVISIONS				
ZONE	LTR	DESCRIPTION	DATE	APPR.

XCCACE-TQG144I  
ACE1\_32



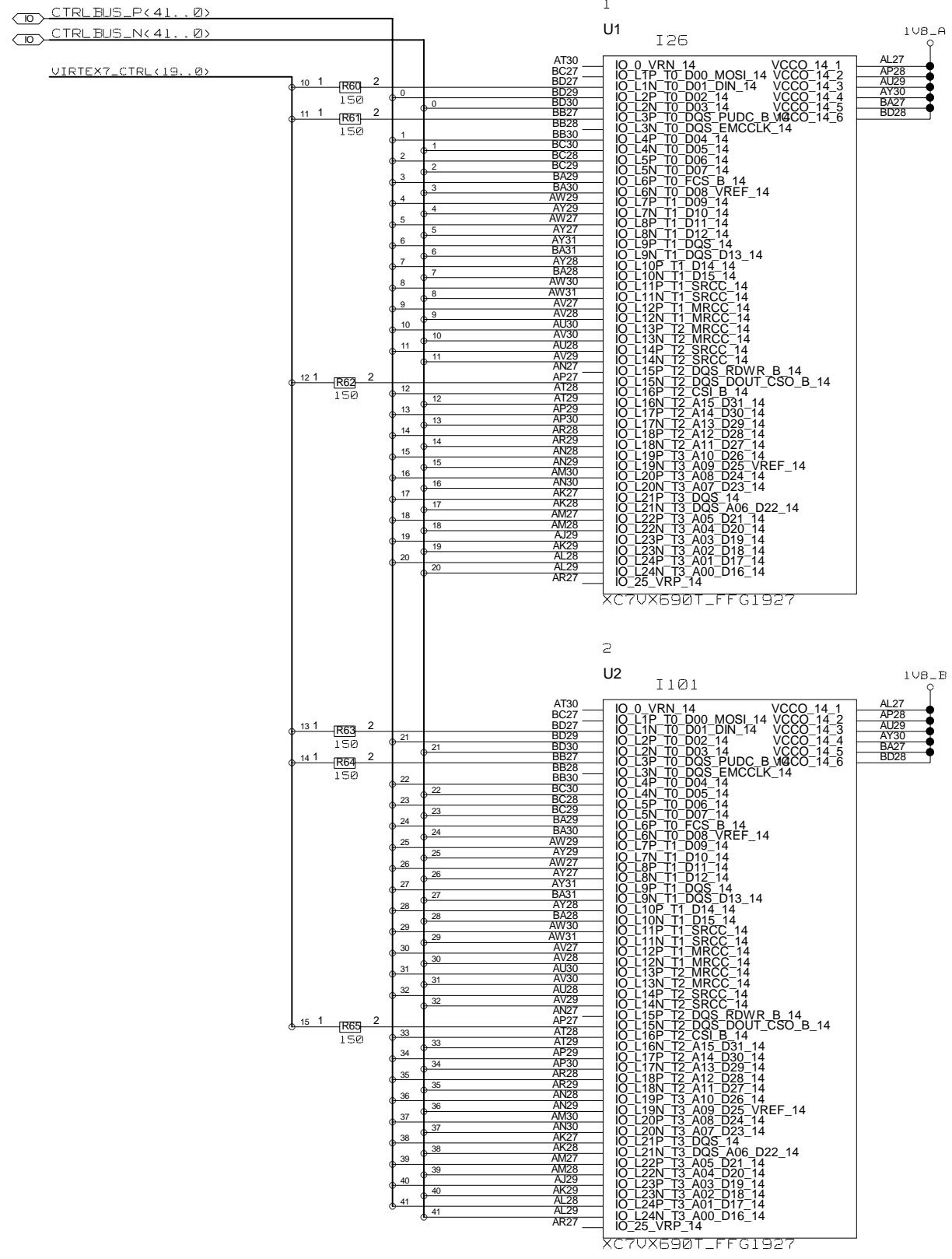


REVISIONS				
ZONE	LTR	DESCRIPTION	DATE	APPR.



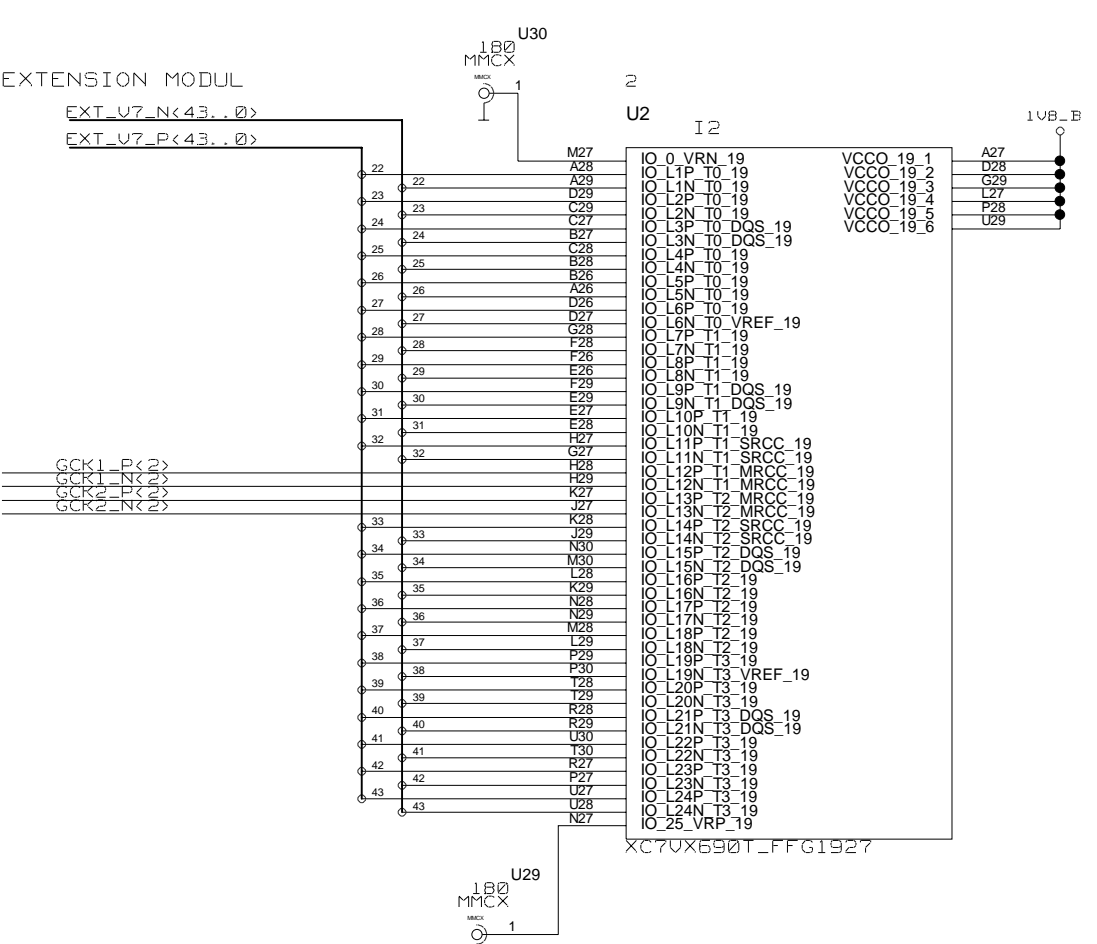
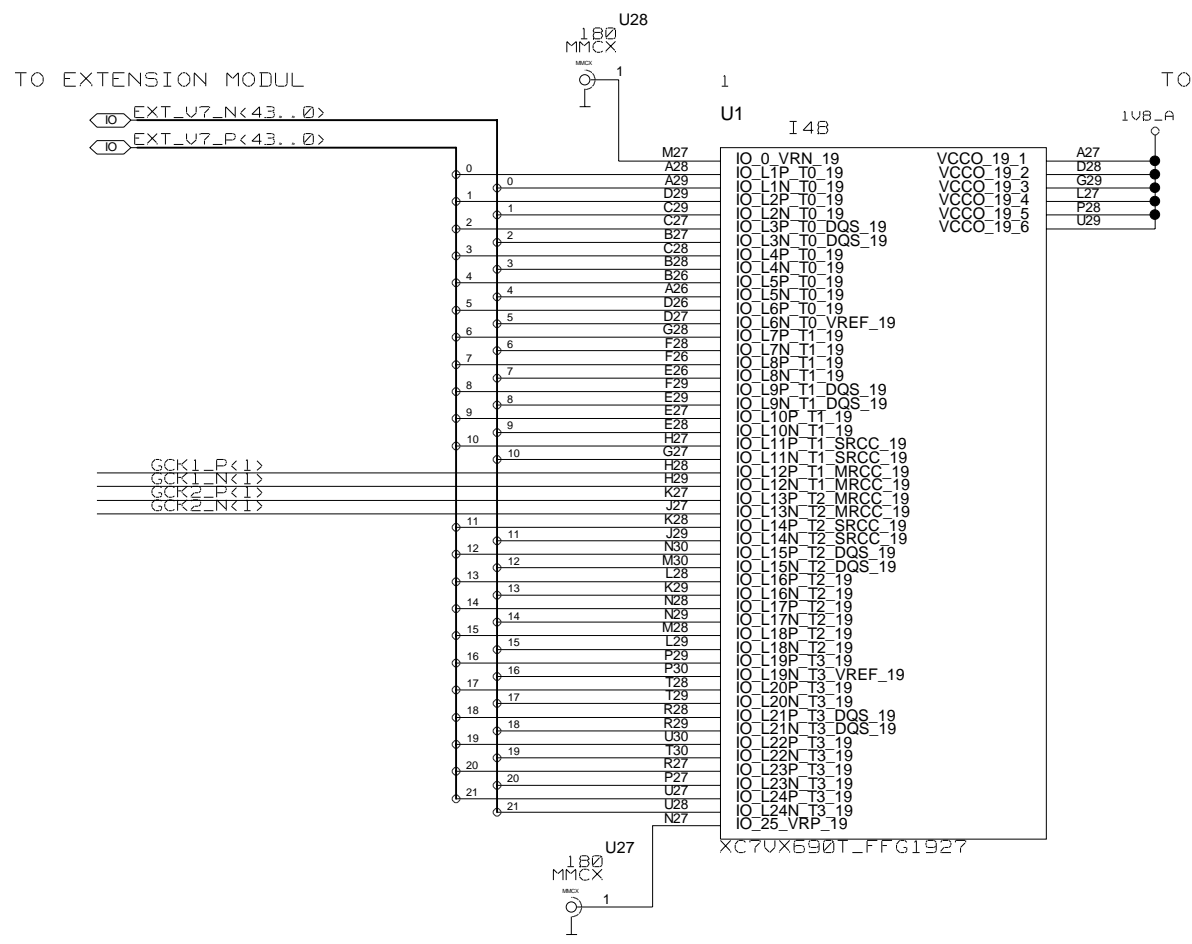
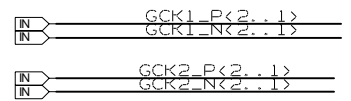
UNIVERSITY OF MAINZ		DRAWING TITLE	
BLOCK: CONTROL		CONTROL	
VIRTEX7 CONTROL		SIZE	DRAWING NO.
SCALE		REV.	SHEET OF

REVISIONS				
ZONE	LTR	DESCRIPTION	DATE	APPR.



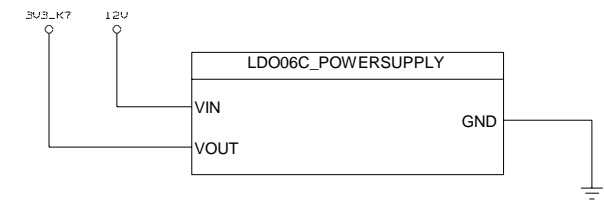
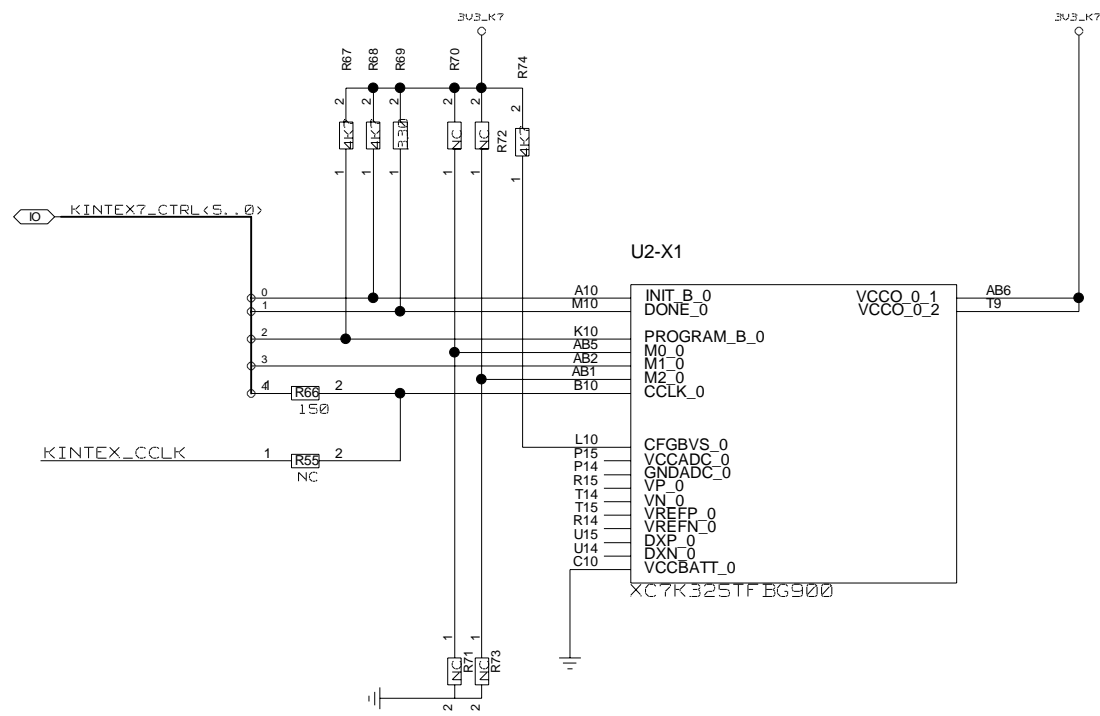
UNIVERSITY OF MAINZ	DRAWING TITLE		
	CONTROL BUS U1 + U2 --> KINTEX?		
BLOCK: CONTROL VIRTEX7 CONTROL	SIZE <b>C</b>	REV.	DRAWING NO.
SCALE			SHEET OF

REVISIONS				
ZONE	LTR	DESCRIPTION	DATE	APPR.



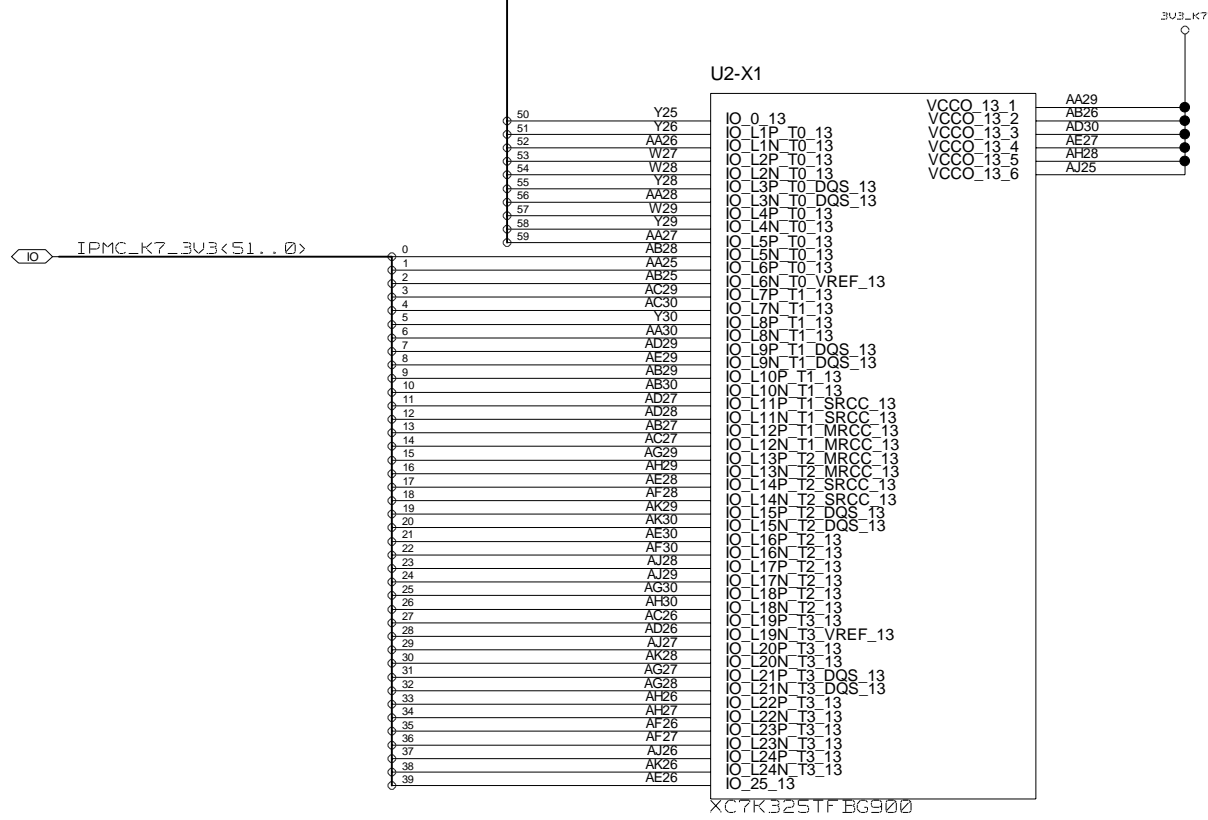
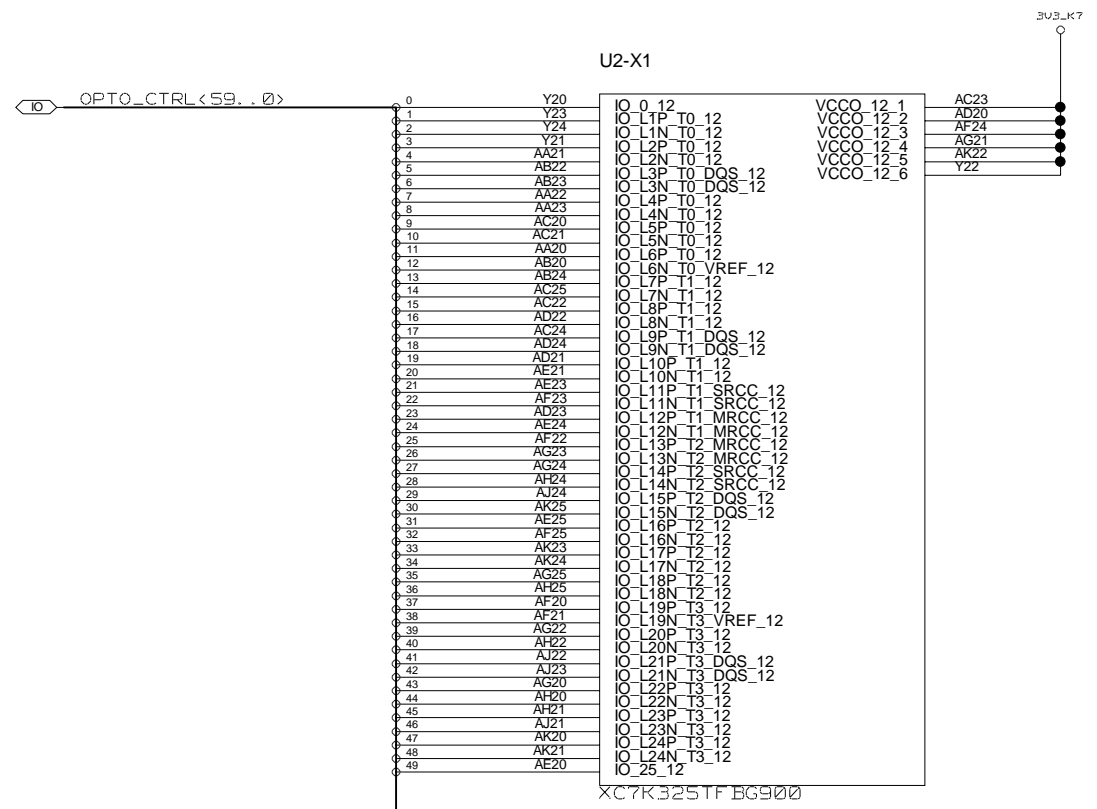
UNIVERSITY OF MAINZ	DRAWING TITLE		
	TO EXTENSION MODUL		
BLOCK: CONTROL UIRTEX7 CONTROL	SIZE <b>C</b>	REV.	DRAWING NO.
	SCALE		SHEET OF

REVISIONS				
ZONE	LTR	DESCRIPTION	DATE	APPR.



UNIVERSITY OF MAINZ	DRAWING TITLE		
	CONTROL		
BLOCK: CONTROL KINTEX7 CONTROL	SIZE <b>C</b>	REV.	DRAWING NO.
	SCALE	SHEET OF	

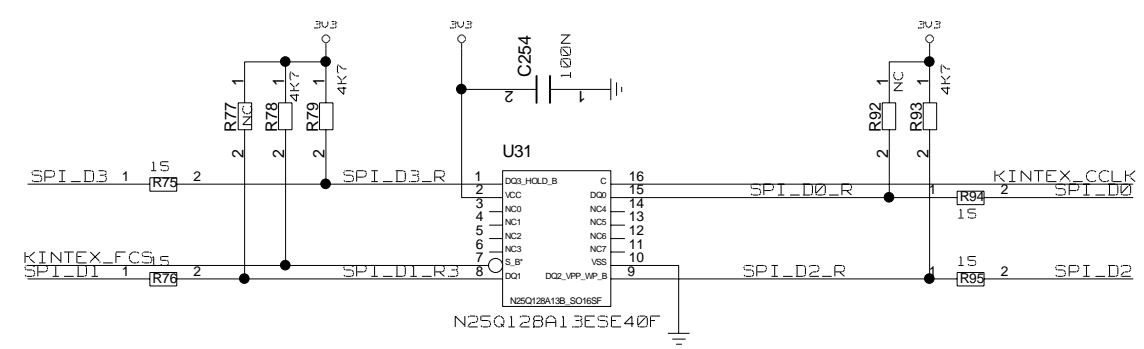
REVISIONS				
ZONE	LTR	DESCRIPTION	DATE	APPR.



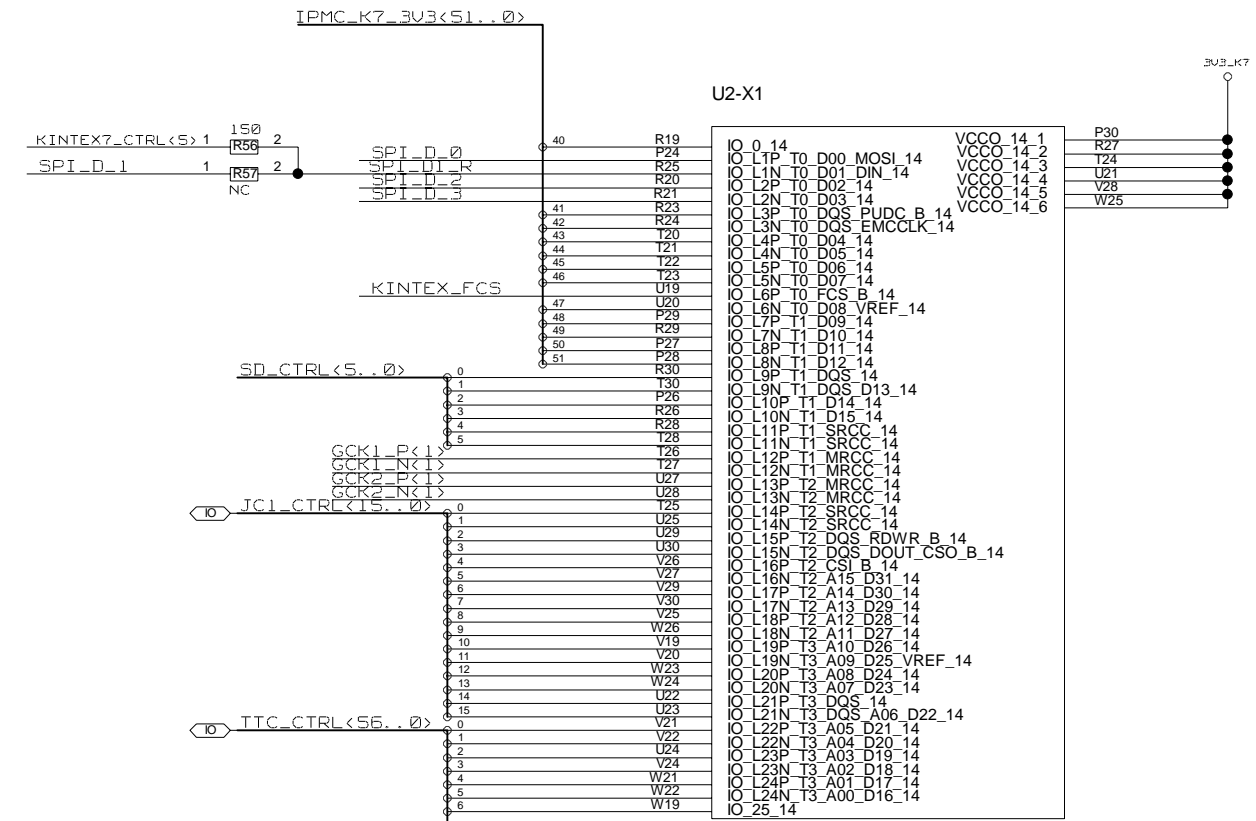
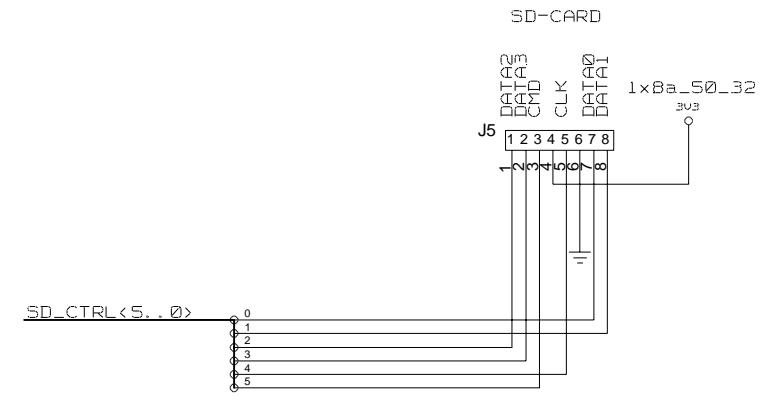
UNIVERSITY OF MAINZ	DRAWING TITLE CONTROL AVAGO, SFP (DAQ, ROI, UME)		
	SIZE <b>C</b>	REV.	DRAWING NO.
BLOCK: CONTROL KINTEX7 CONTROL	SCALE	SHEET	OF

REVISIONS				
ZONE	LTR	DESCRIPTION	DATE	APPR.

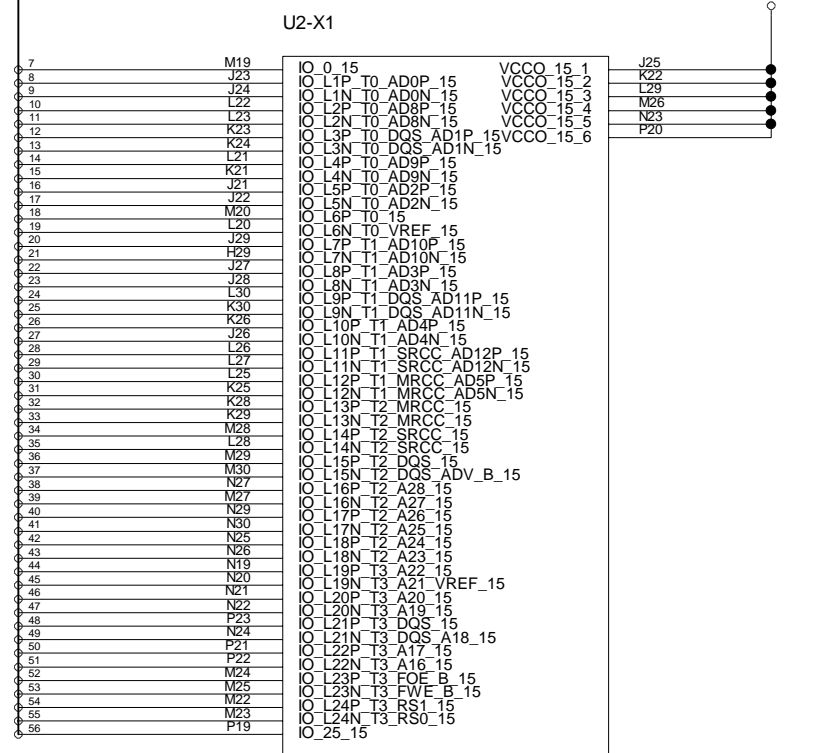
BANK14 VCCO ABHAENGIG VON SPI SPANNUNG



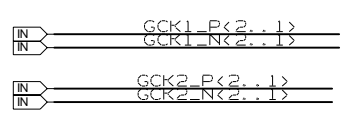
QSPI



XC7K1325T\_FB G900?

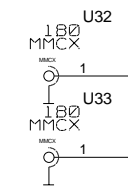
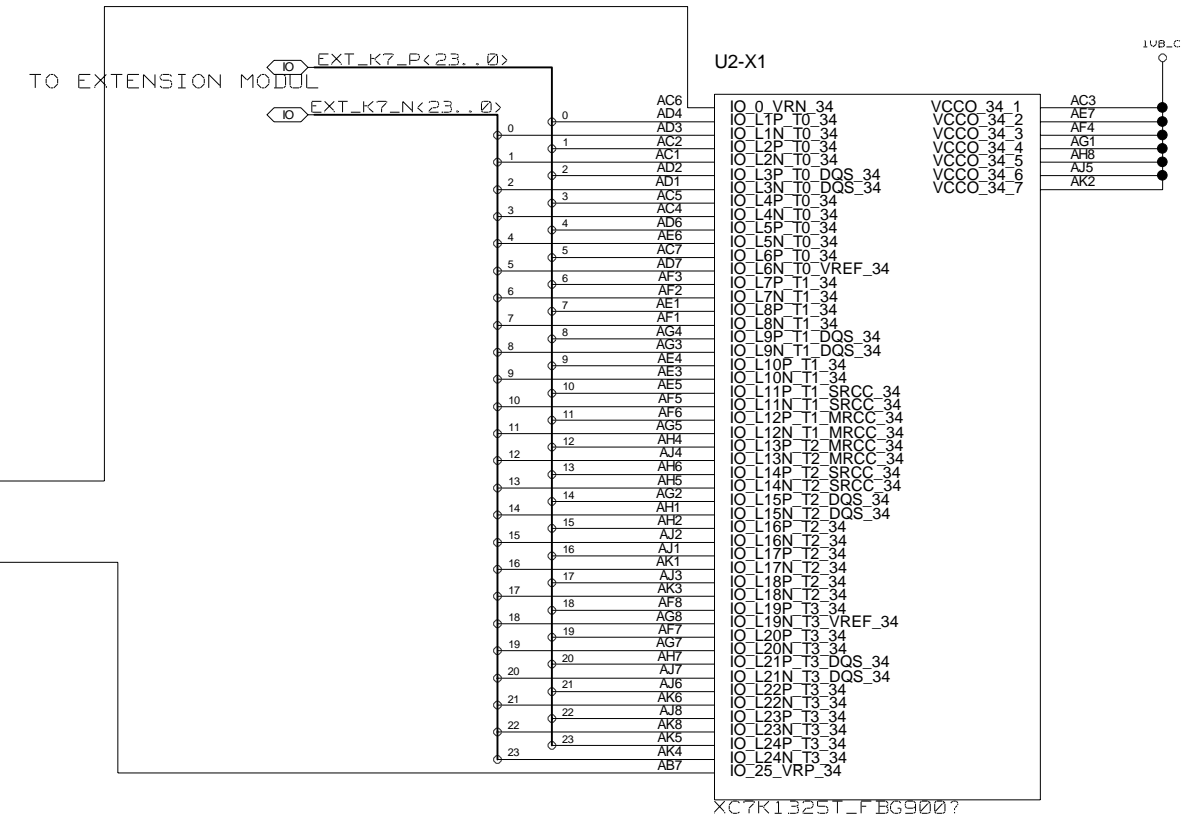
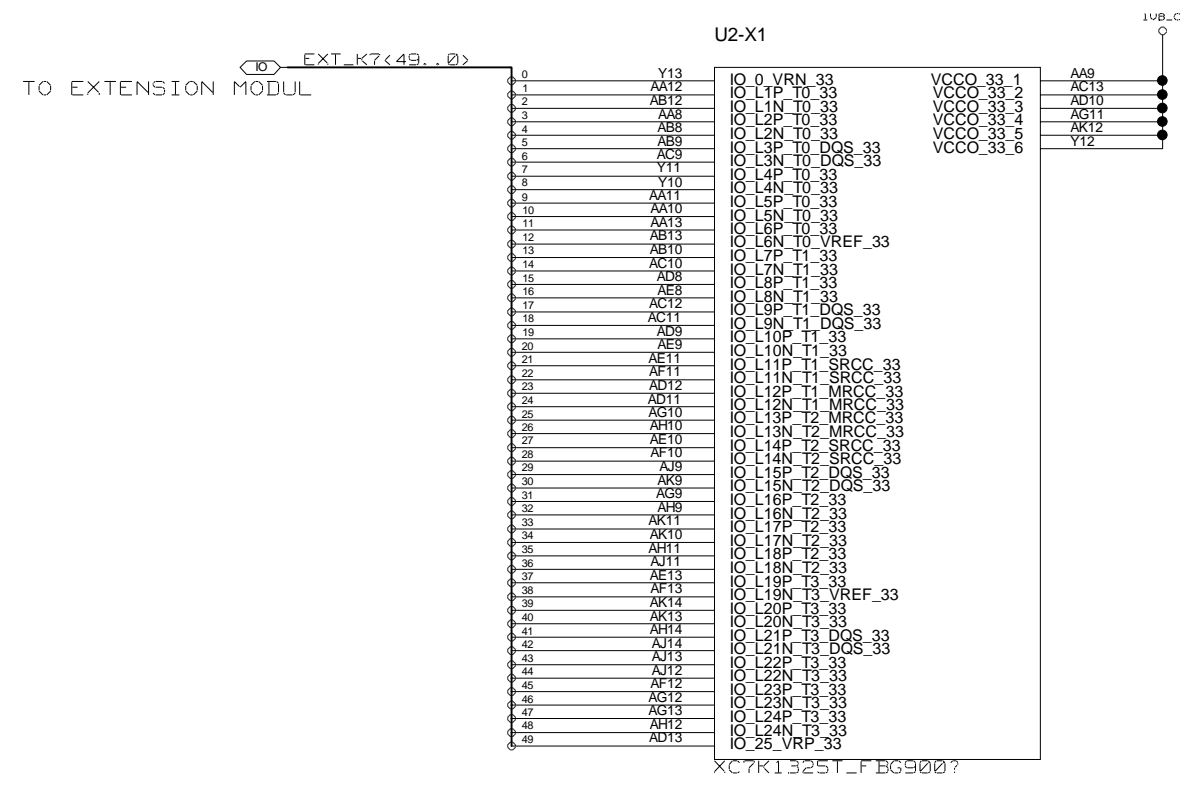


XC7K1325T\_FB G900?



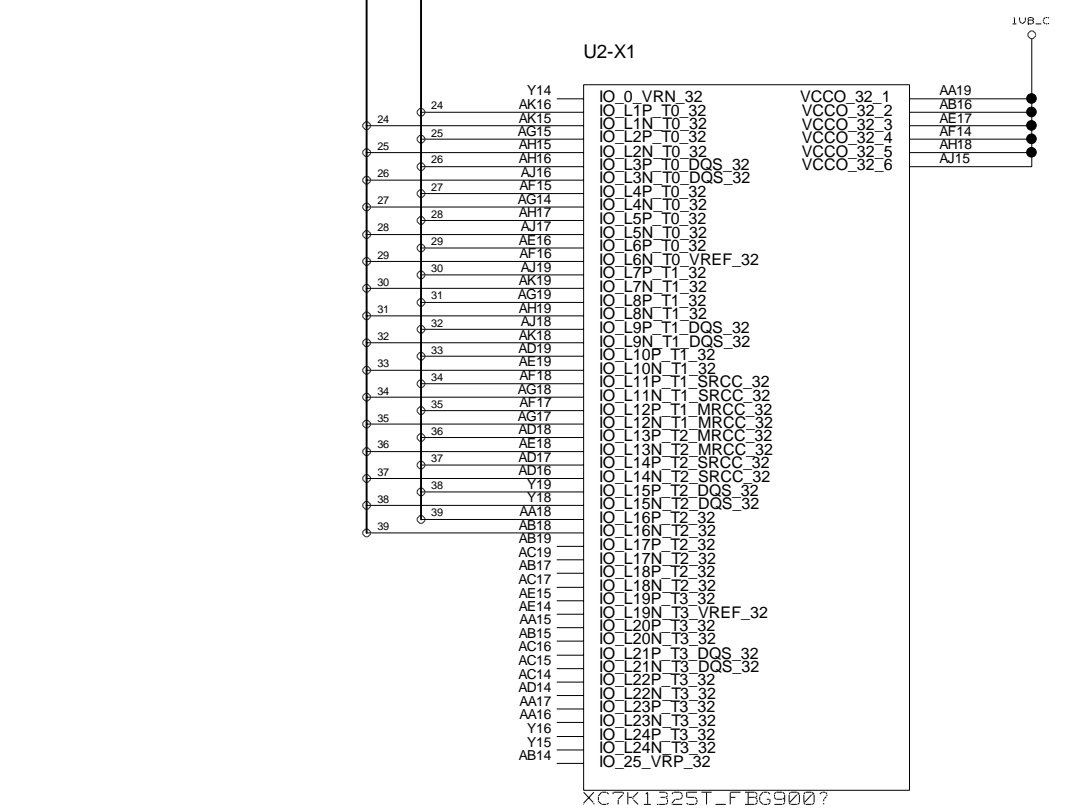
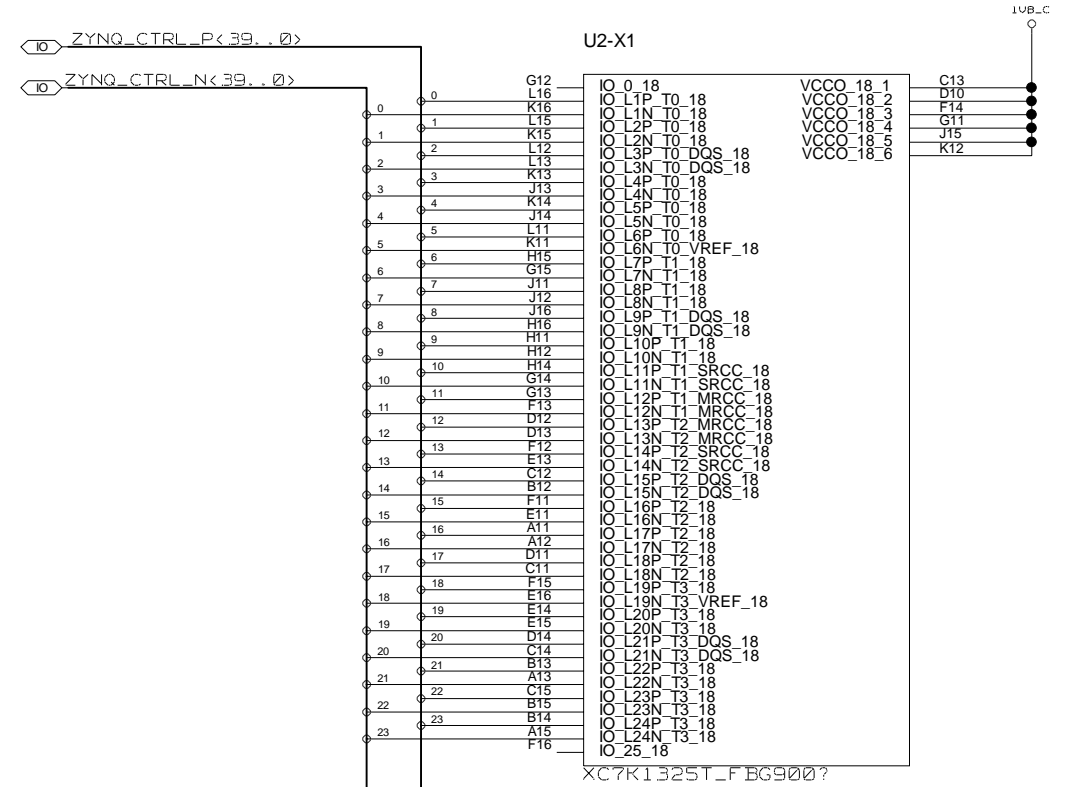
UNIVERSITY OF MAINZ		DRAWING TITLE SD, JITTERCLEANER, TTC, QSPI CONTROL	
BLOCK: CONTROL KINTEX7 CONTROL		SIZE <b>C</b>	REV.
SCALE		DRAWING NO.	
SHEET			OF

REVISIONS				
ZONE	LTR	DESCRIPTION	DATE	APPR.



UNIVERSITY OF MAINZ	DRAWING TITLE		
	CONTROL EXTENSIONMODUL		
BLOCK: CONTROL KINTEX7 CONTROL	SIZE	REV.	DRAWING NO.
	C		
SCALE			SHEET OF

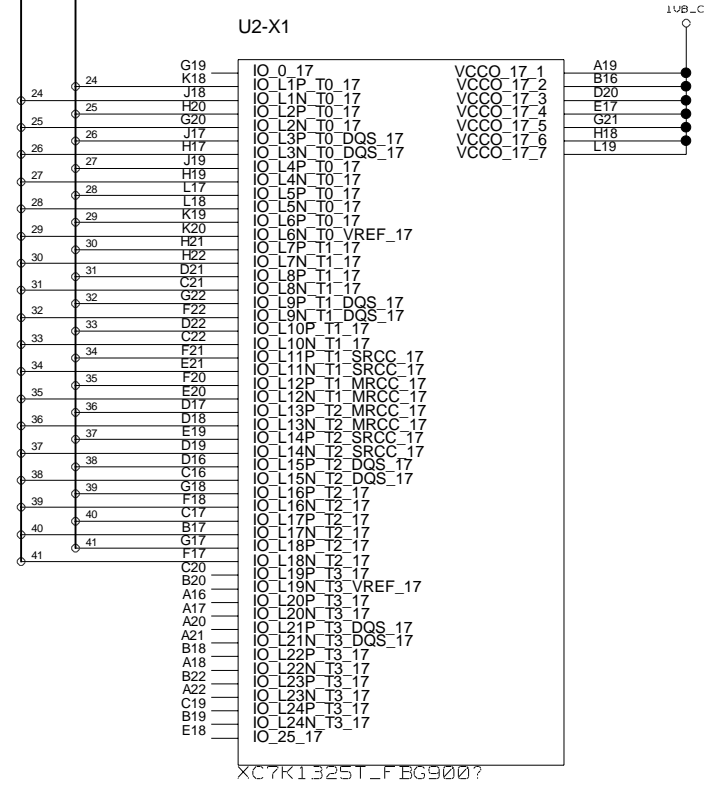
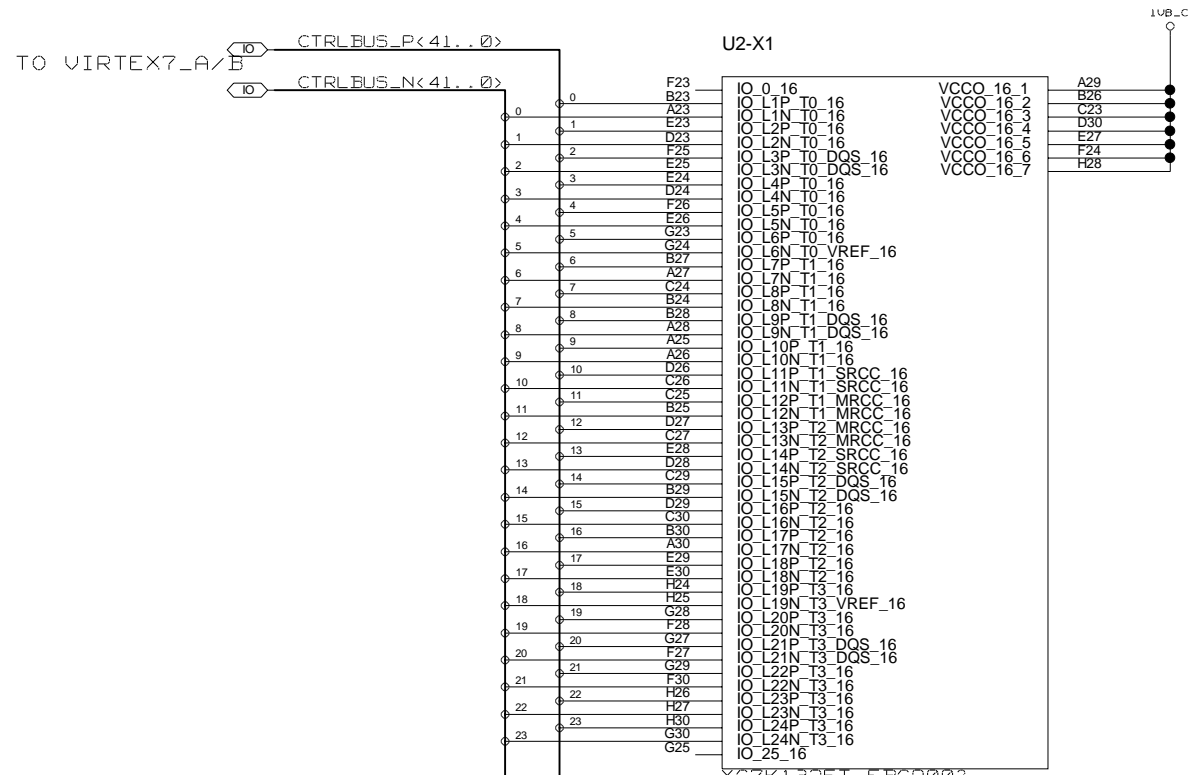
REVISIONS				
ZONE	LTR	DESCRIPTION	DATE	APPR.



UNIVERSITY OF MAINZ	DRAWING TITLE		
	ZYNQ_CONTROL		
BLOCK: CONTROL KINTEX7 CONTROL	SIZE <b>C</b>	REV.	DRAWING NO.
	SCALE		SHEET OF

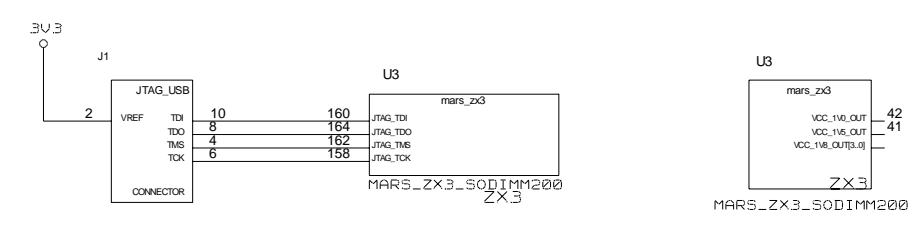
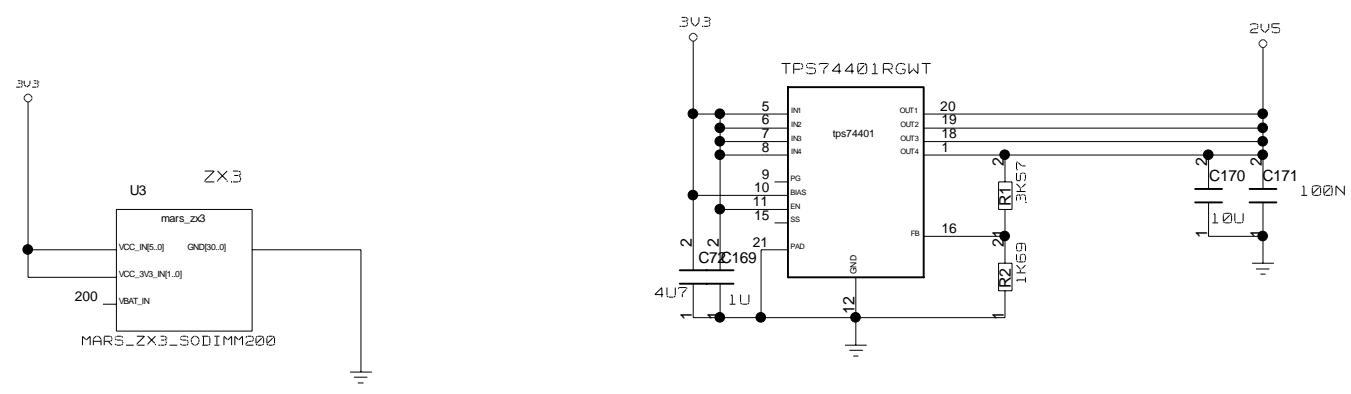
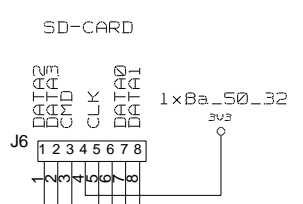
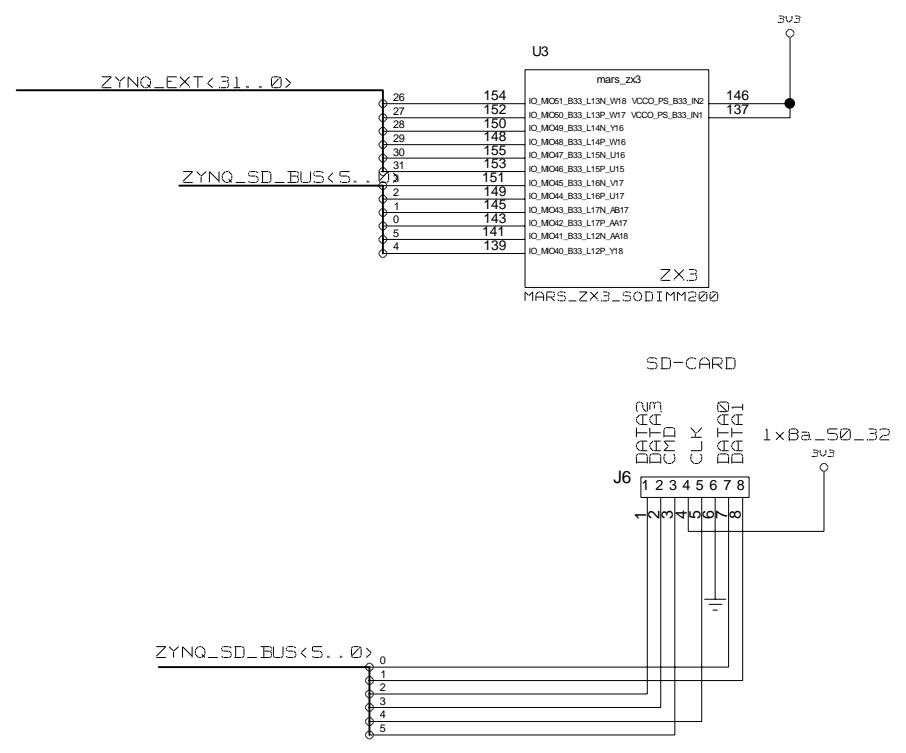
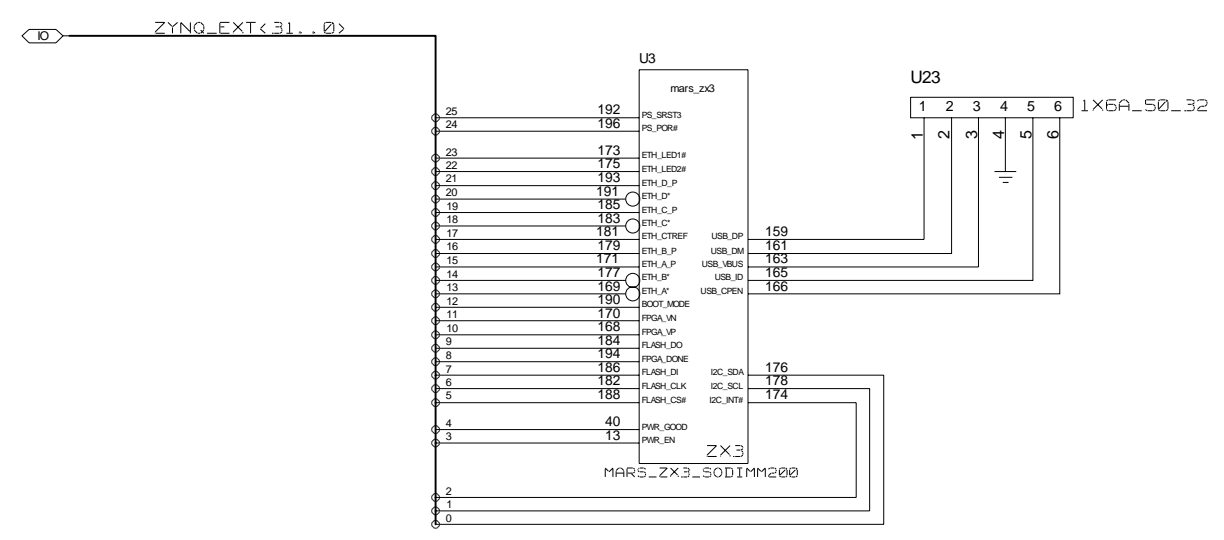
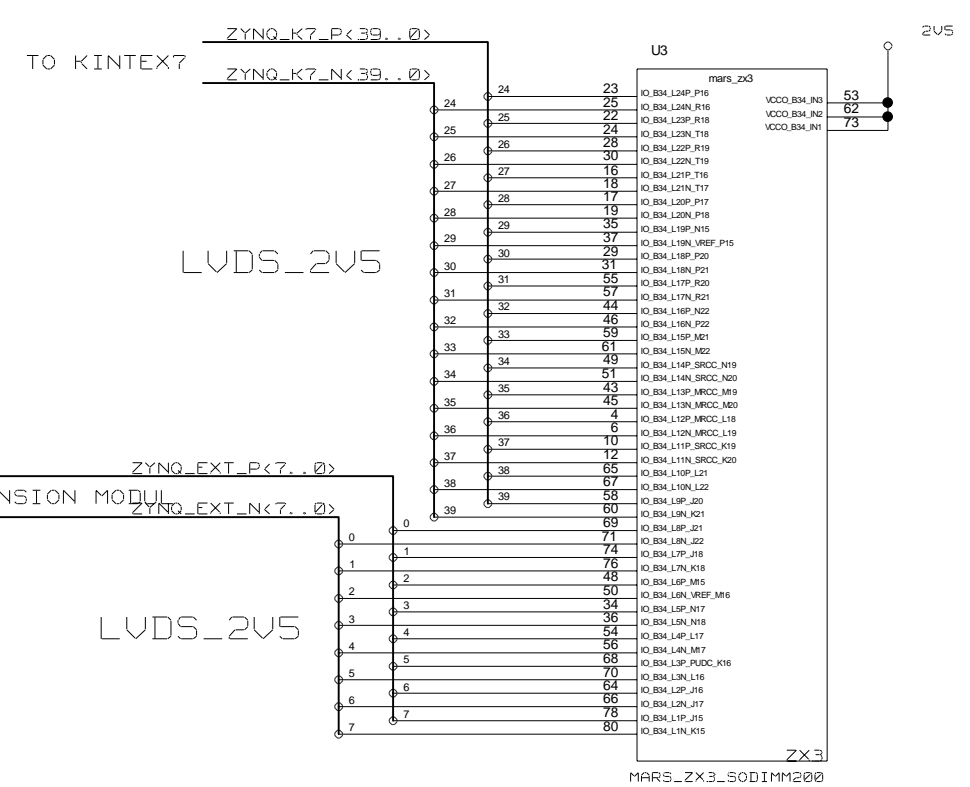
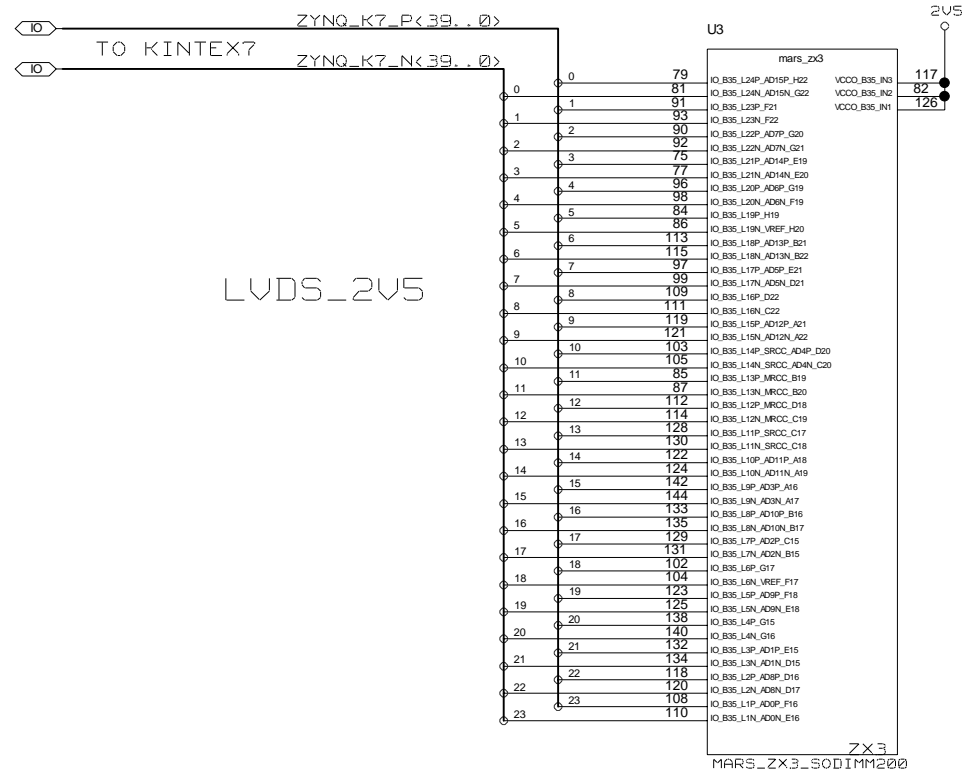


REVISIONS				
ZONE	LTR	DESCRIPTION	DATE	APPR.



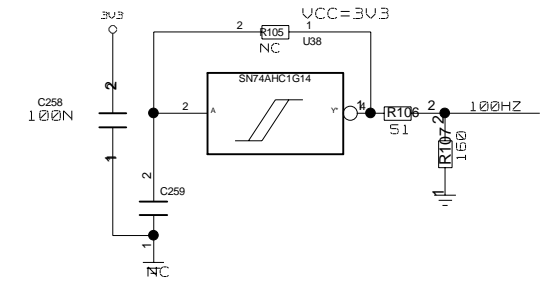
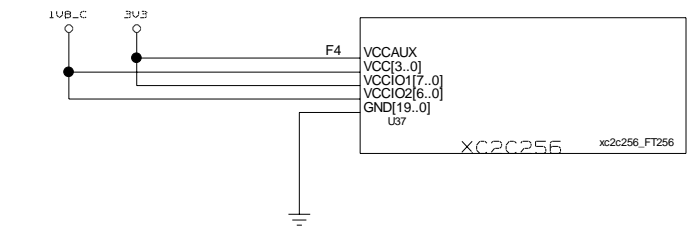
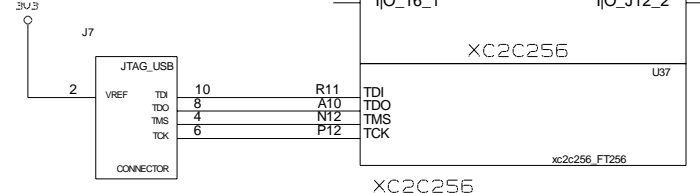
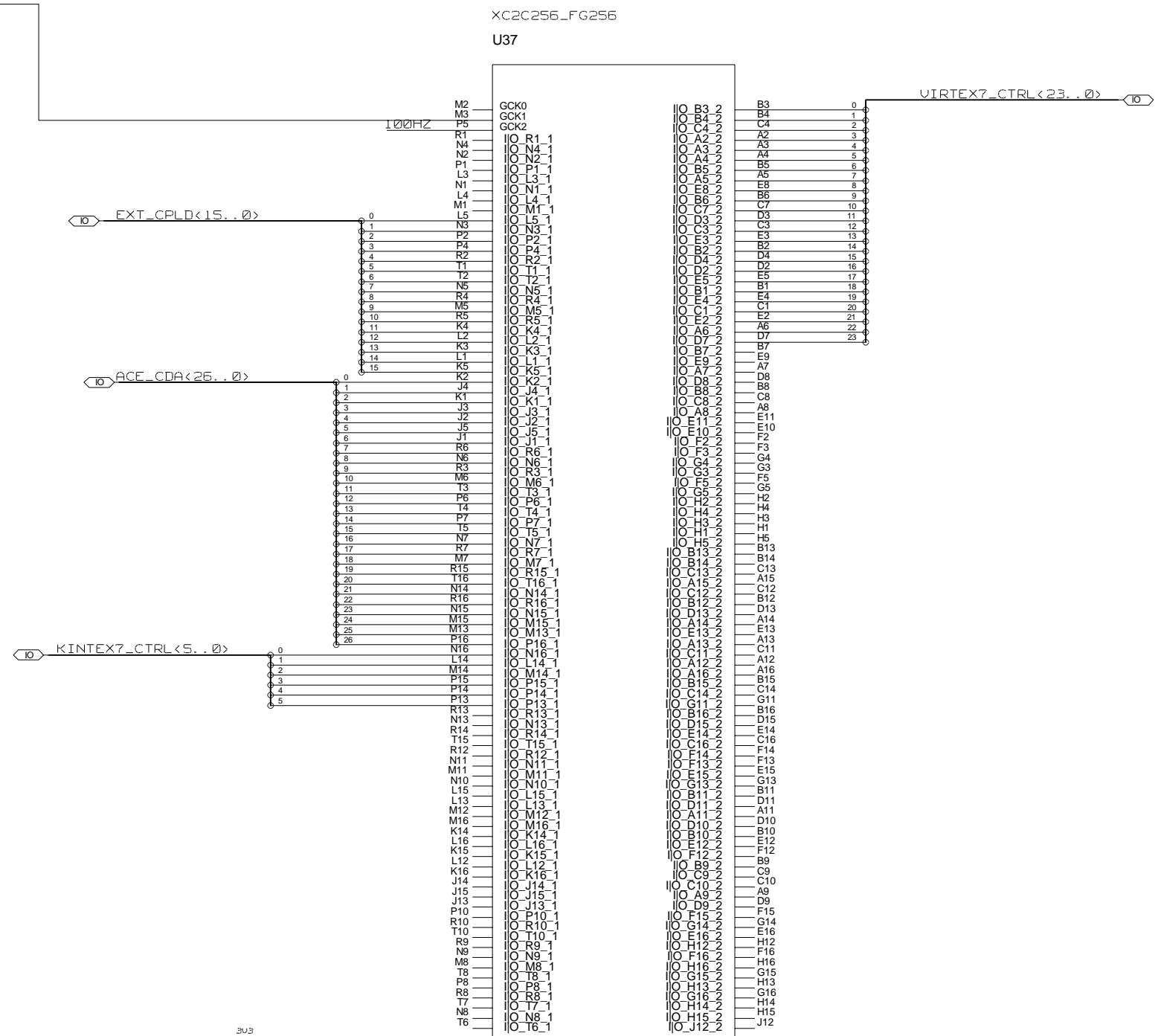
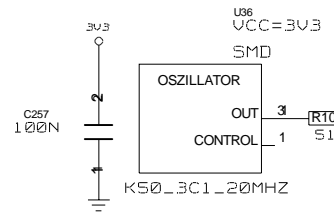
UNIVERSITY OF MAINZ	DRAWING TITLE CONTROL BUS KINTEX7 ---> VIRTEX7		
	SIZE <b>C</b>	REV.	DRAWING NO.
BLOCK: CONTROL KINTEX7 CONTROL	SCALE	SHEET	OF

REVISIONS				
ZONE	LTR	DESCRIPTION	DATE	APPR.



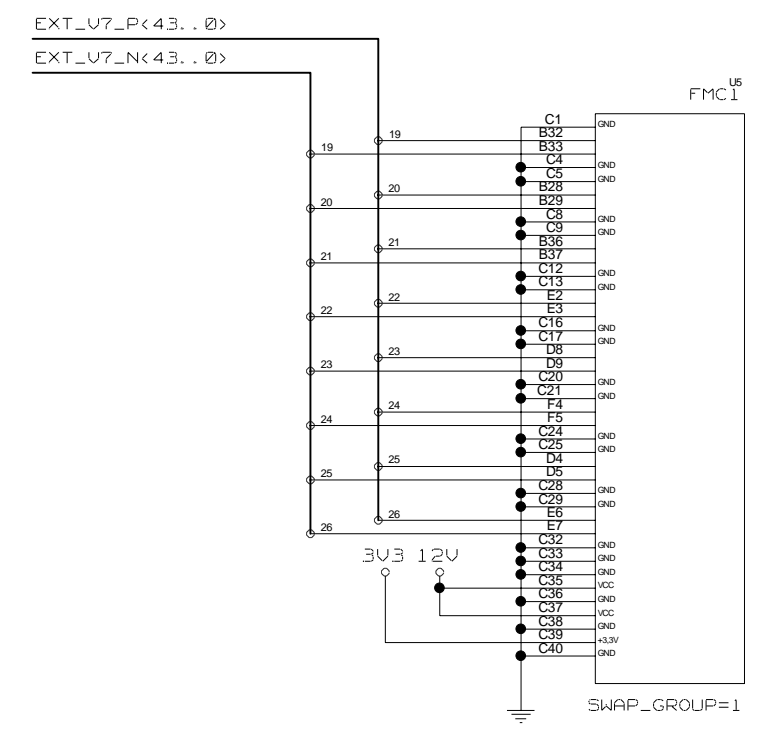
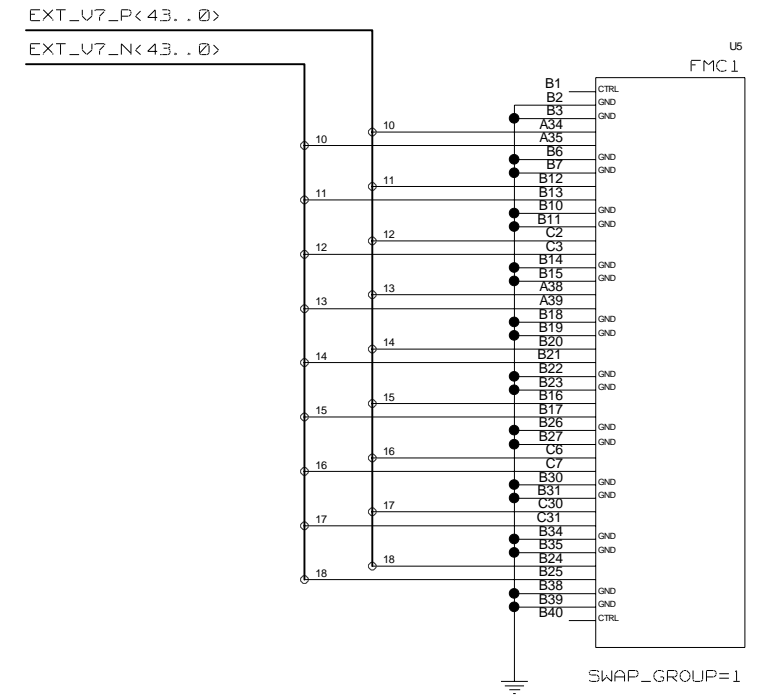
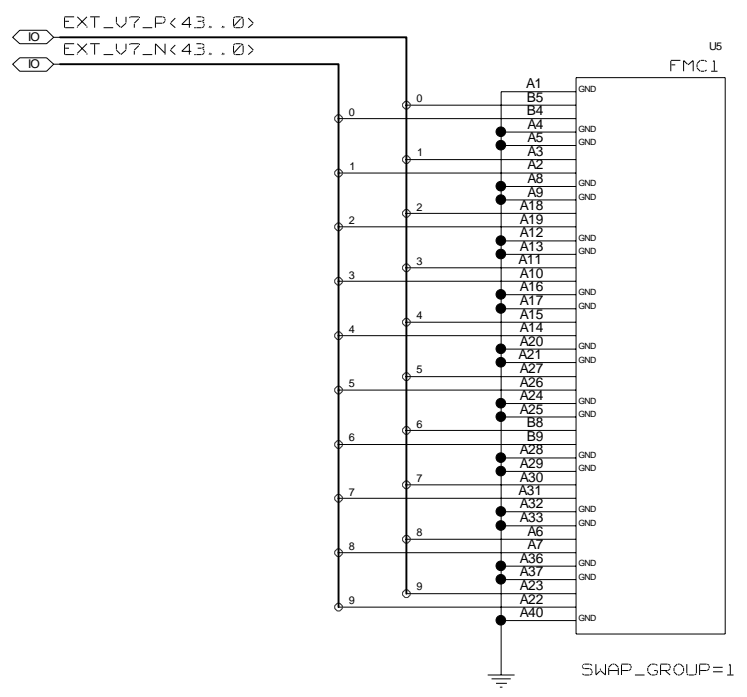
UNIVERSITY OF MAINZ		DRAWING TITLE	
BLOCK: CONTROL		MARS_ZX3	
ZYNQ_MARS_ZX3		SIZE	REV.
SCALE		DRAWING NO.	
SHEET		OF	

REVISIONS				
ZONE	LTR	DESCRIPTION	DATE	APPR.



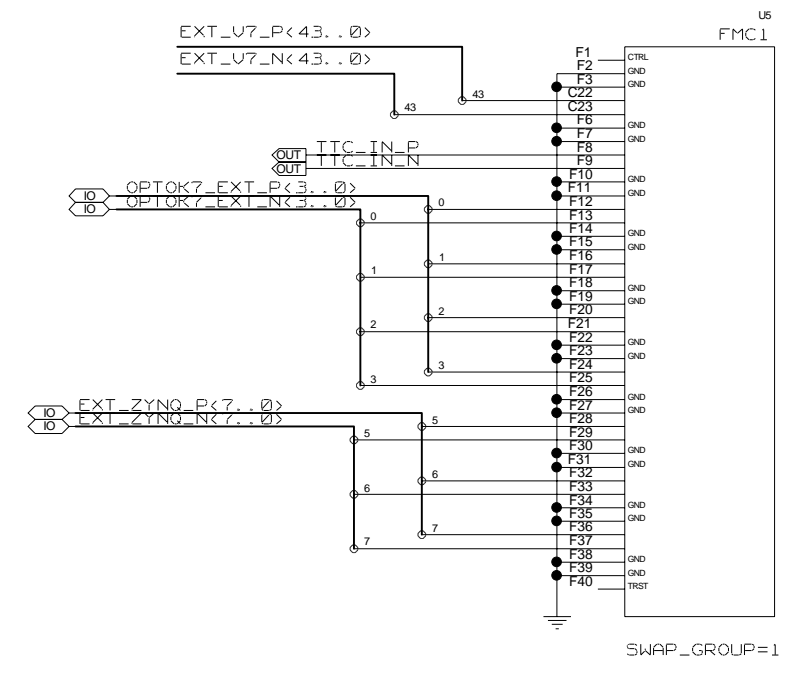
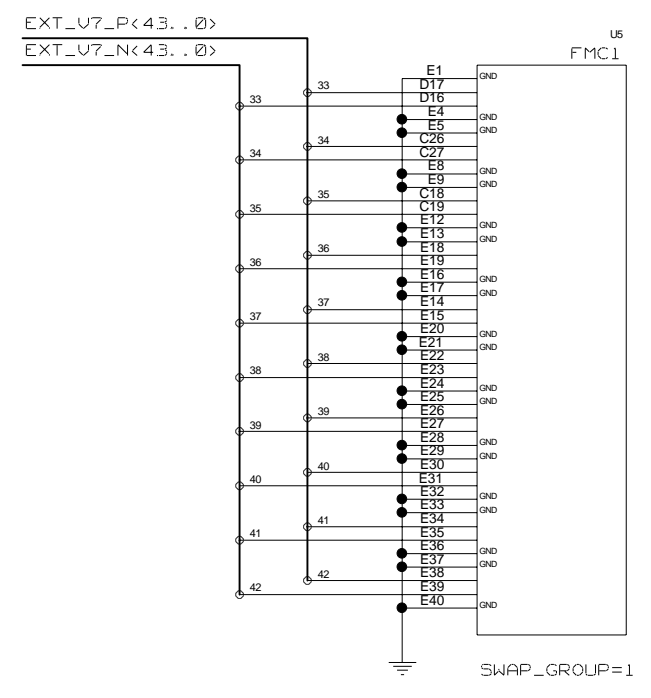
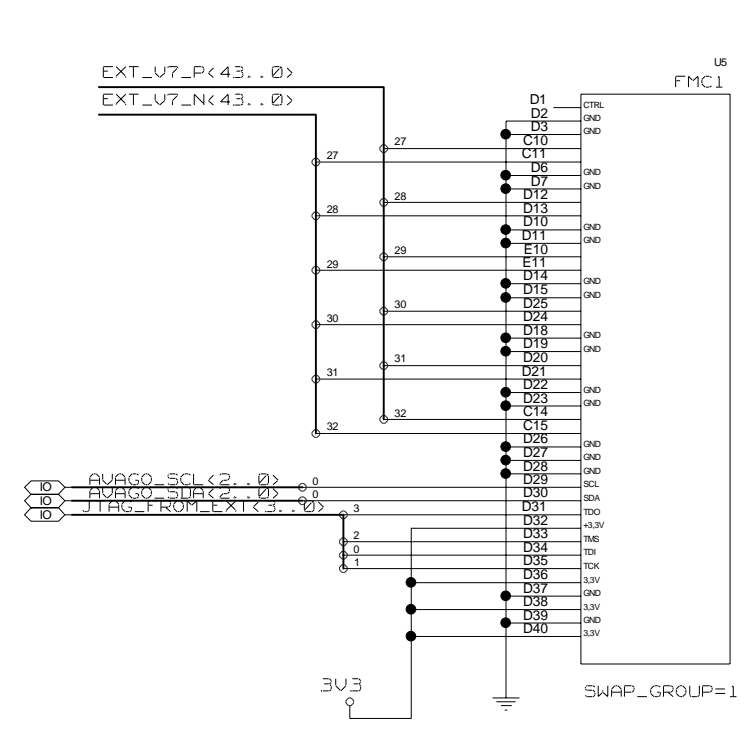
UNIVERSITY OF MAINZ		DRAWING TITLE	
BLOCK: CONTROL CPLD		CPLD	
SIZE	REV.	DRAWING NO.	
C			
SCALE		SHEET OF	

REVISIONS				
ZONE	LTR	DESCRIPTION	DATE	APPR.



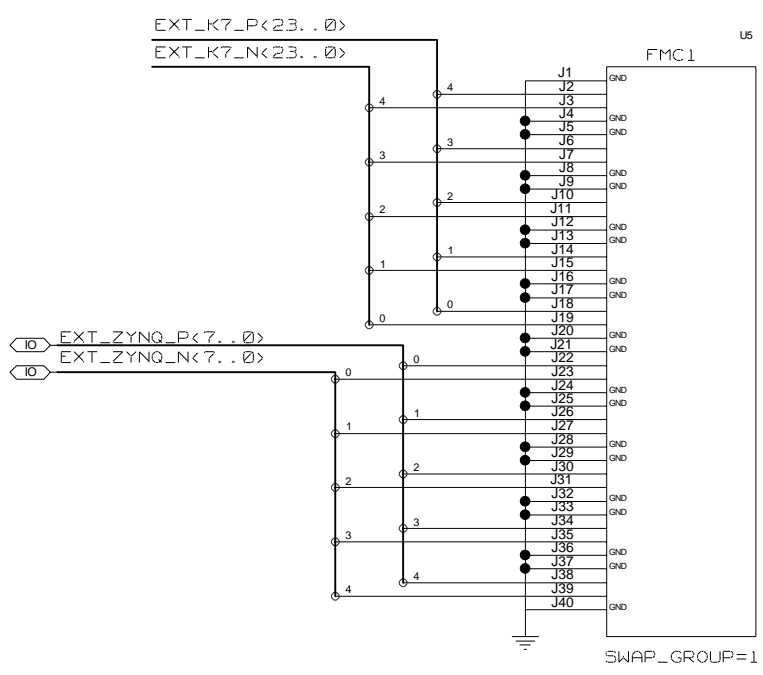
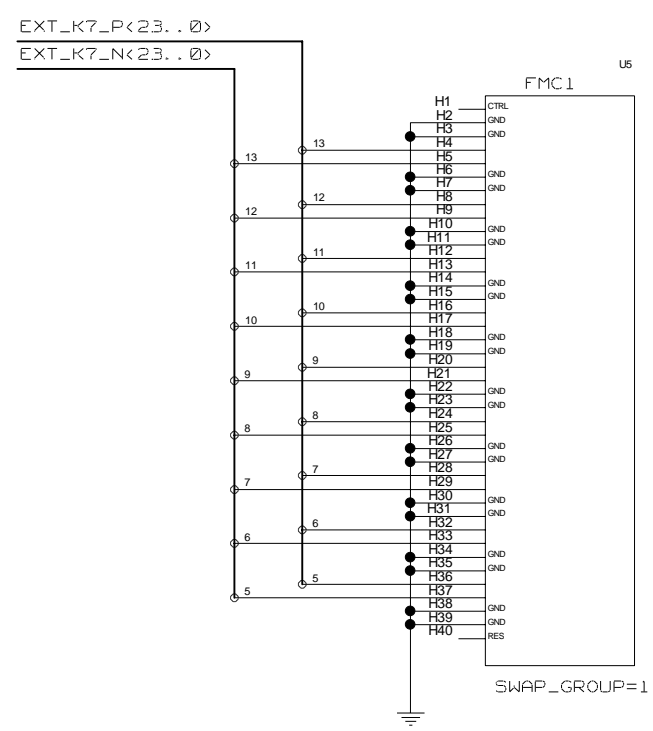
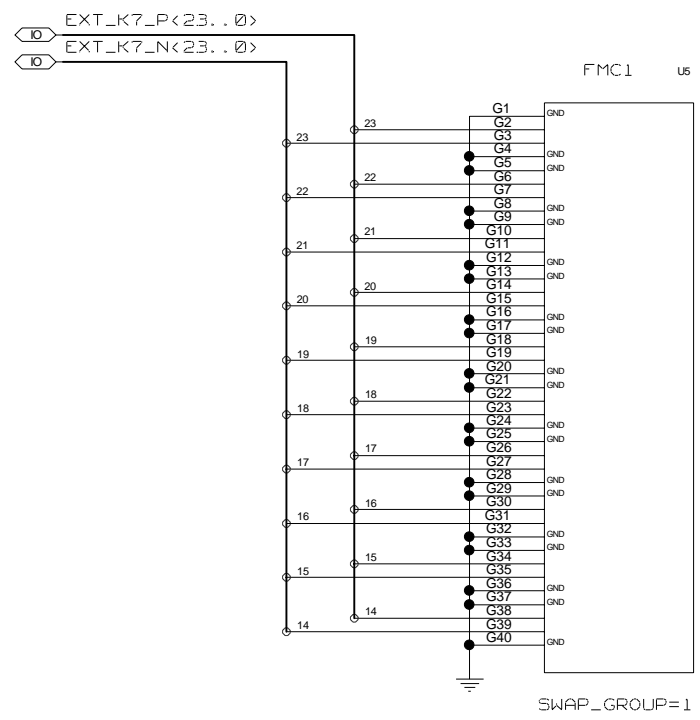
UNIVERSITY OF MAINZ		DRAWING TITLE		
BLOCK: CONTROL EXTENSION_MODUL		EXTENSION MODUL		
SIZE	REV.	DRAWING NO.		
C				
SCALE			SHEET	OF

REVISIONS				
ZONE	LTR	DESCRIPTION	DATE	APPR.



UNIVERSITY OF MAINZ	DRAWING TITLE		
	EXTENSION MODUL		
BLOCK: CONTROL EXTENSION_MODUL	SIZE <b>C</b>	REV.	DRAWING NO.
	SCALE	SHEET OF	

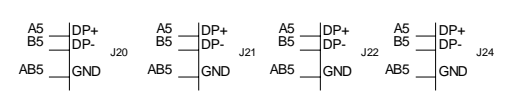
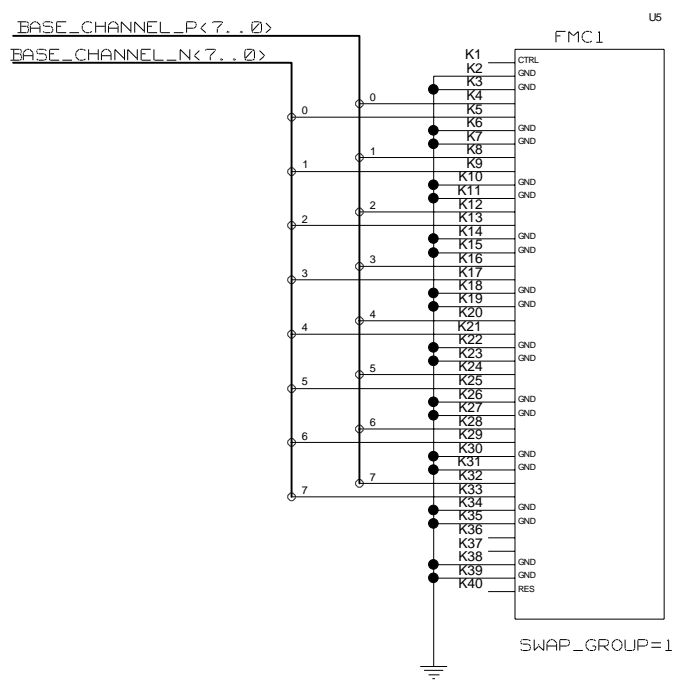
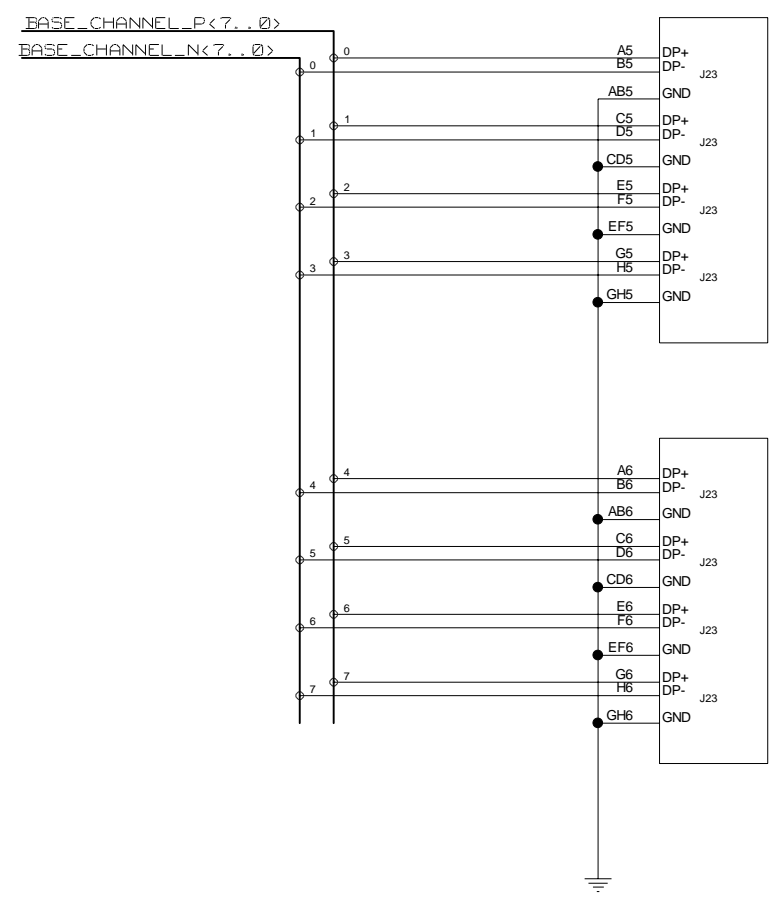
REVISIONS				
ZONE	LTR	DESCRIPTION	DATE	APPR.



UNIVERSITY OF MAINZ		DRAWING TITLE		
BLOCK: CONTROL EXTENSION_MODUL		EXTENSION MODUL		
SIZE <b>C</b>	REV.	DRAWING NO.		
SCALE			SHEET	OF

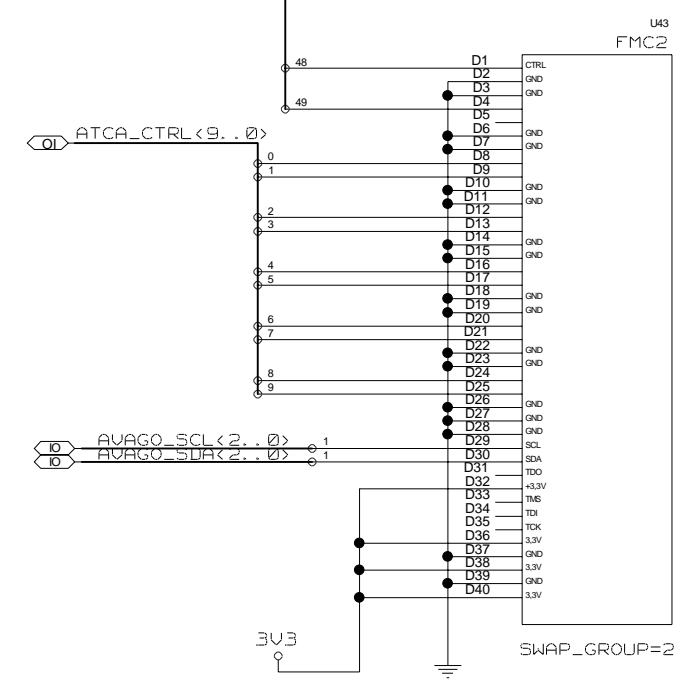
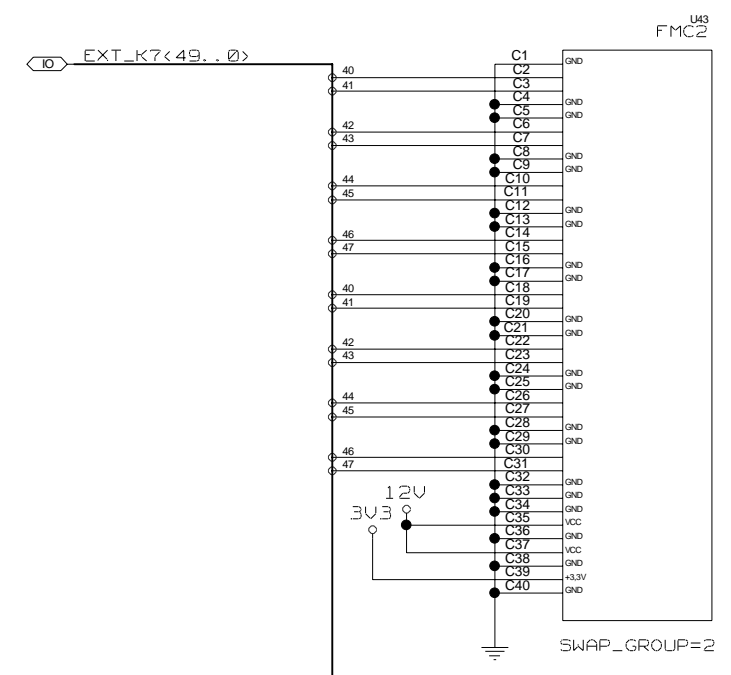
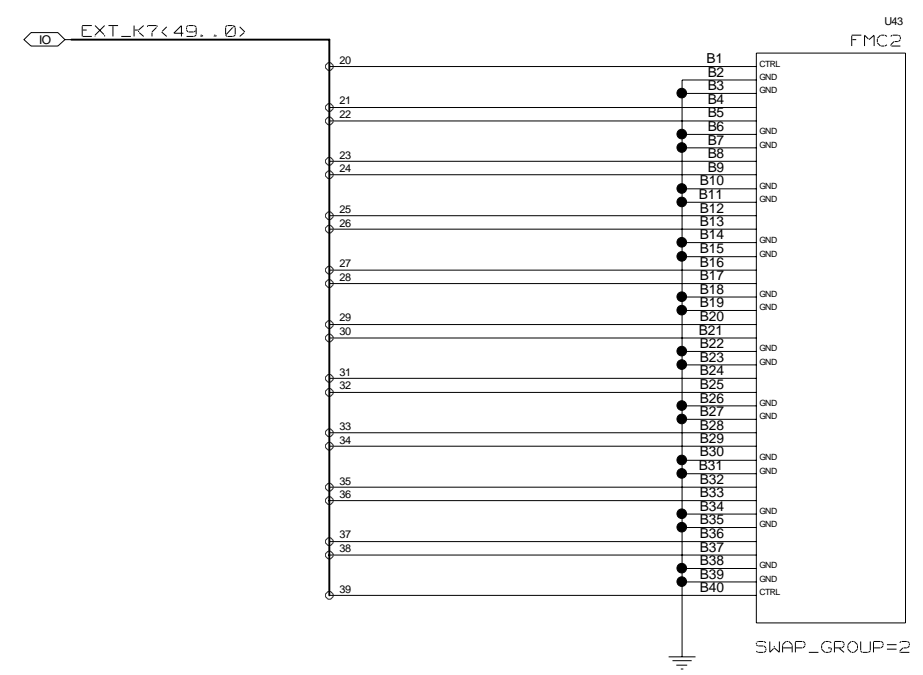
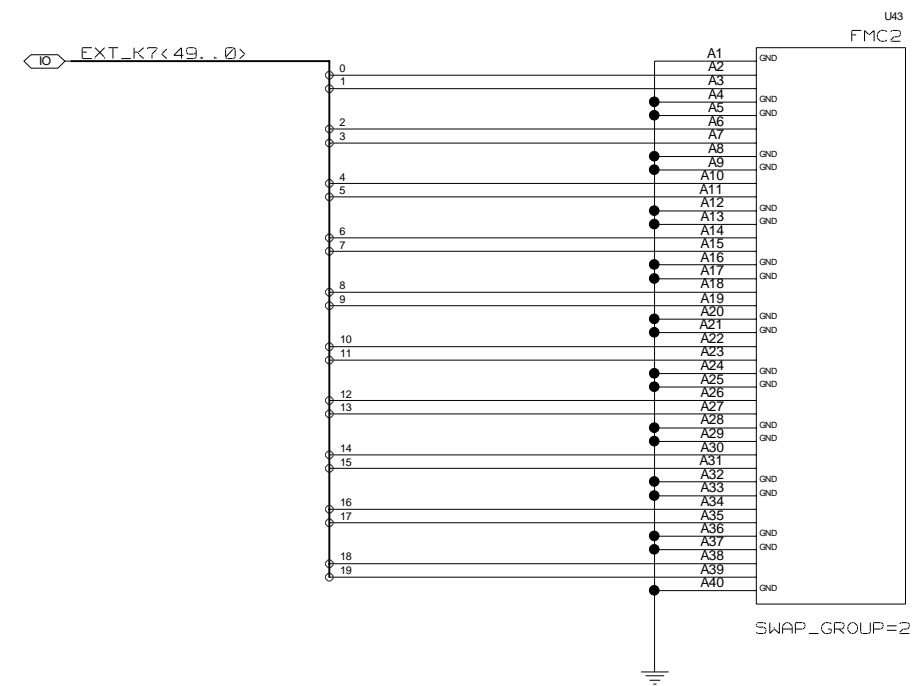
REVISIONS				
ZONE	LTR	DESCRIPTION	DATE	APPR.

# BACKPLANE



UNIVERSITY OF MAINZ		DRAWING TITLE	
		EXTENSION MODUL	
BLOCK: CONTROL EXTENSION_MODUL		SIZE <b>C</b>	DRAWING NO.
		SCALE	SHEET OF

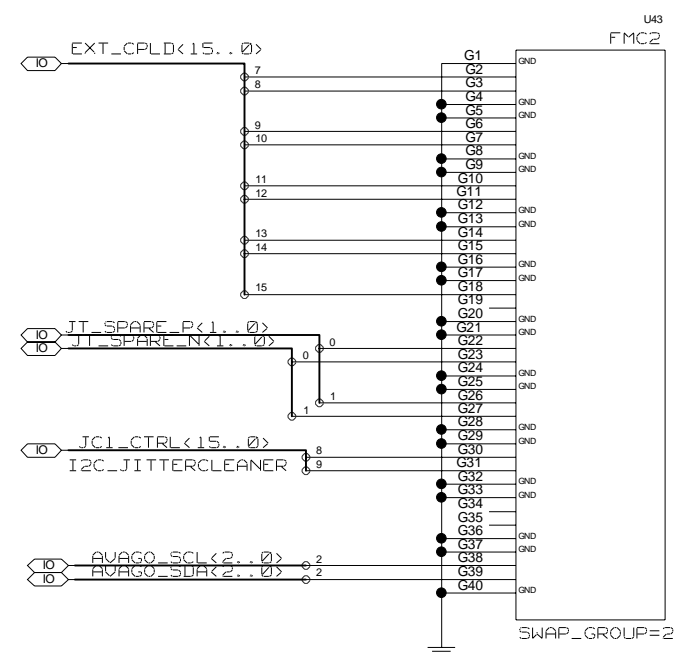
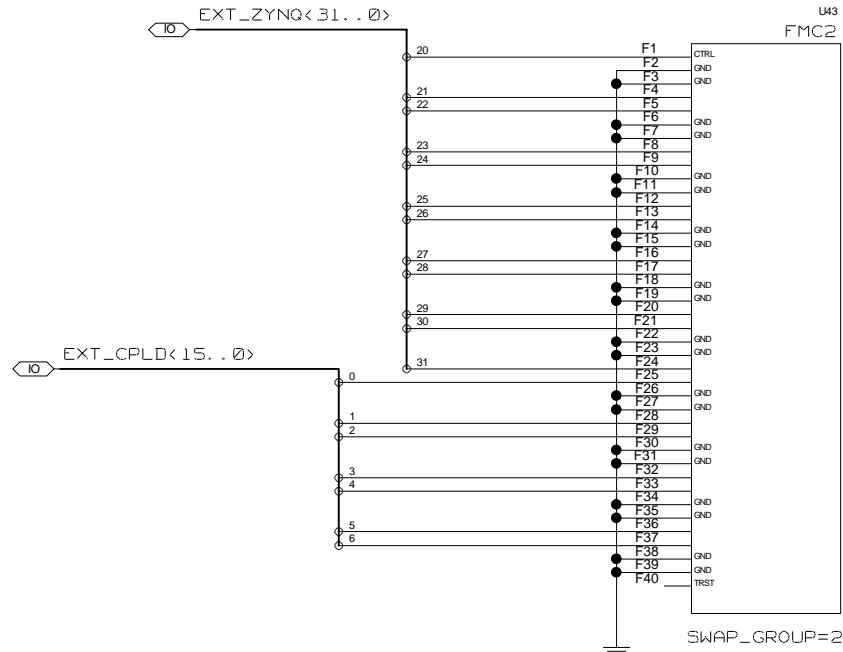
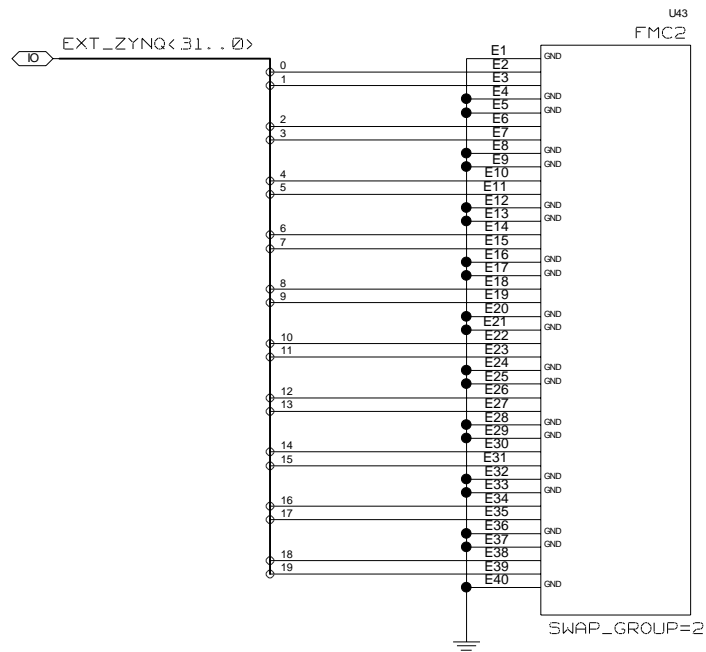
REVISIONS				
ZONE	LTR	DESCRIPTION	DATE	APPR.



UNIVERSITY OF MAINZ		DRAWING TITLE		
		EXTENSION MODUL		
BLOCK: CONTROL EXTENSION_MODUL		SIZE <b>C</b>	REV.	DRAWING NO.
		SCALE		SHEET OF

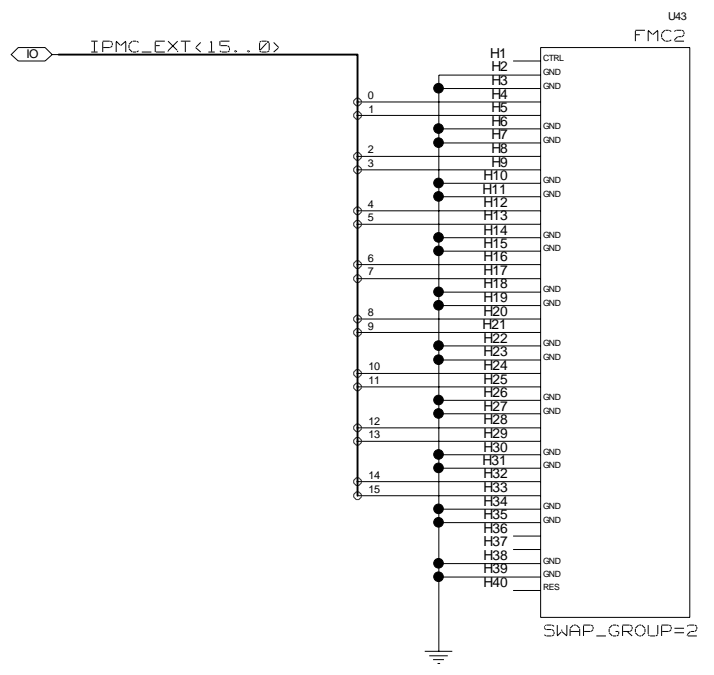


REVISIONS				
ZONE	LTR	DESCRIPTION	DATE	APPR.



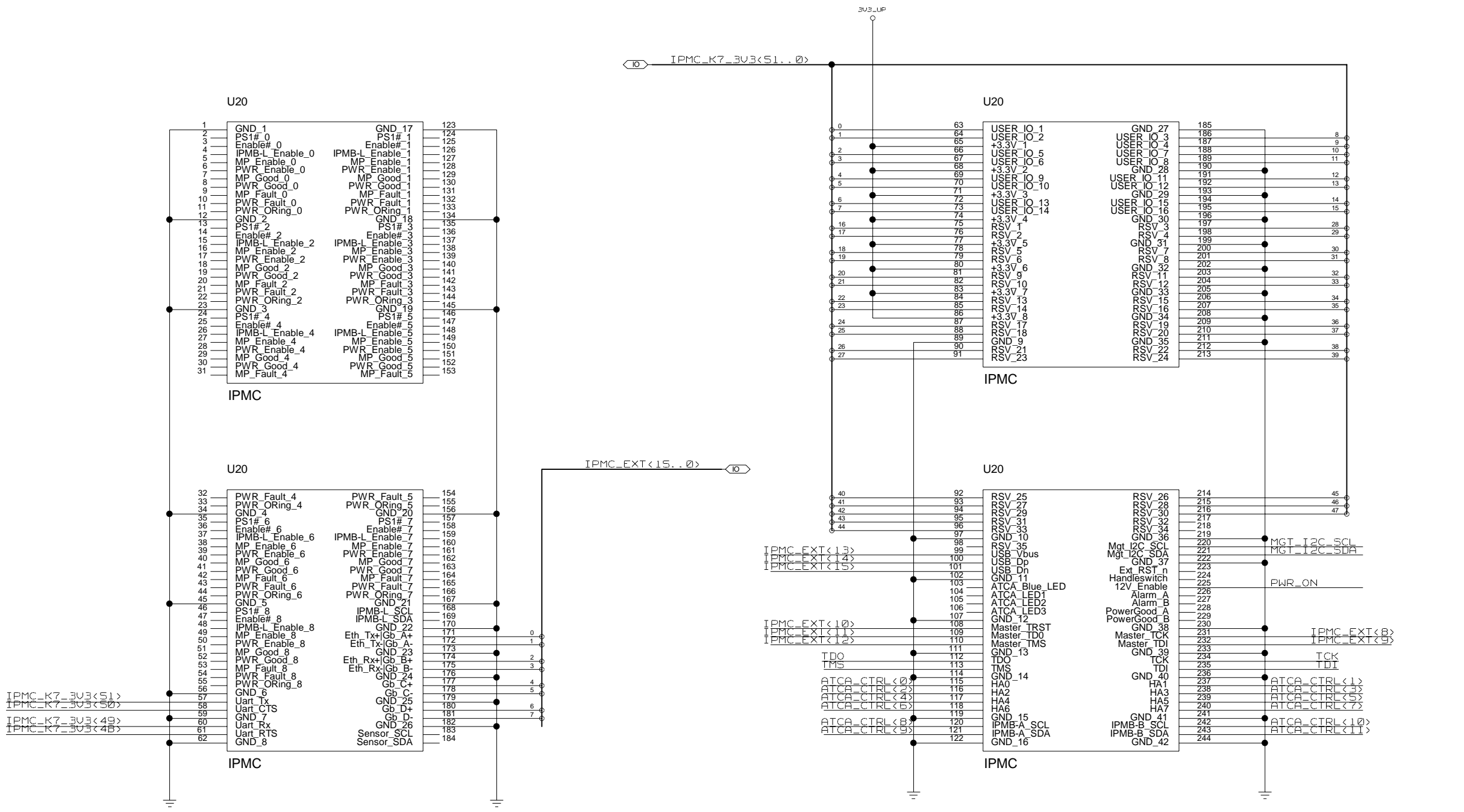
UNIVERSITY OF MAINZ		DRAWING TITLE	
BLOCK: CONTROL EXTENSION_MODUL		EXTENSION MODUL	
SIZE <b>C</b>	REV.	DRAWING NO.	
SCALE			SHEET OF

REVISIONS				
ZONE	LTR	DESCRIPTION	DATE	APPR.

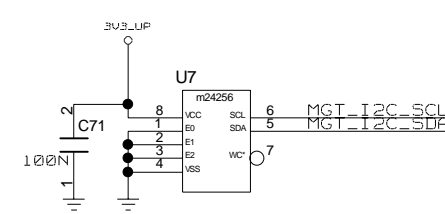
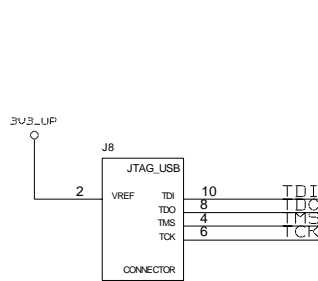


UNIVERSITY OF MAINZ		DRAWING TITLE		
BLOCK: CONTROL EXTENSION_MODUL		EXTENSION MODUL		
SIZE	REV.	DRAWING NO.		
<b>C</b>				
SCALE			SHEET	OF

REVISIONS				
ZONE	LTR	DESCRIPTION	DATE	APPR.



ATCA\_CTRL<1..0>



UNIVERSITY OF MAINZ		DRAWING TITLE	
BLOCK: CONTROL		ATCA CONTROL	
IPMC		SIZE	DRAWING NO.
		<b>C</b>	
SCALE		REV.	SHEET OF