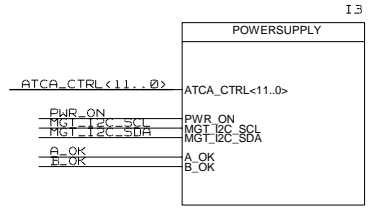
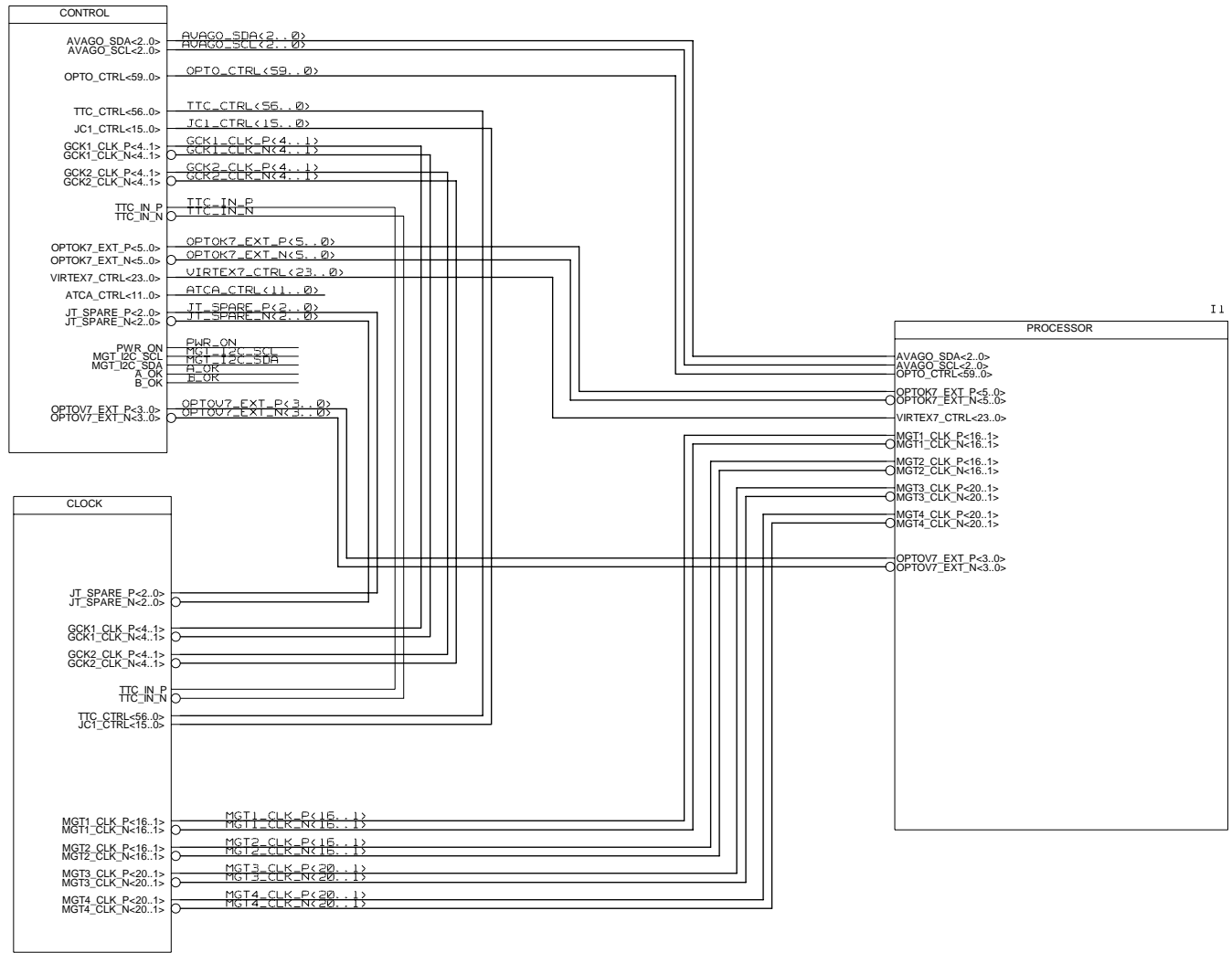
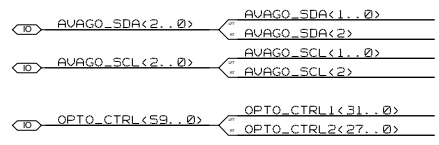
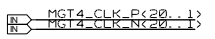
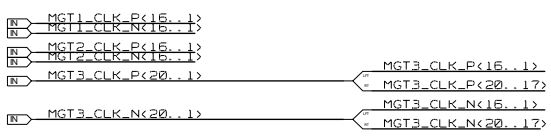
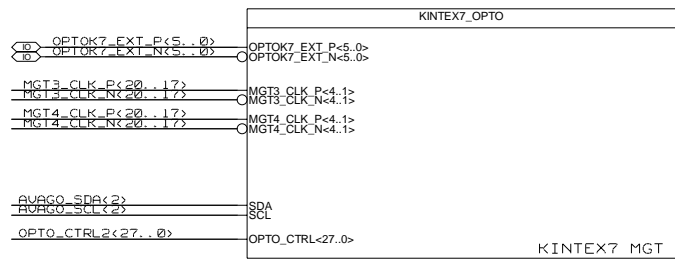
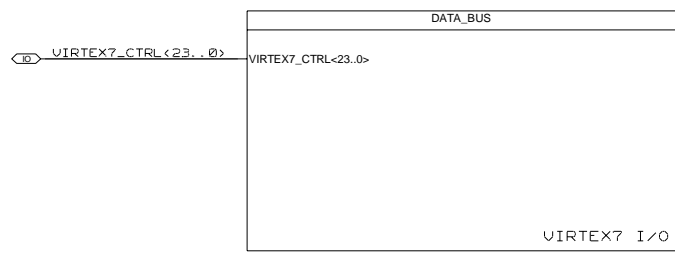
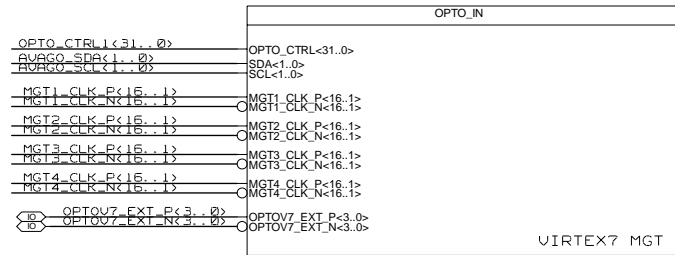


REVISIONS				
ZONE	LTR	DESCRIPTION	DATE	APPR.



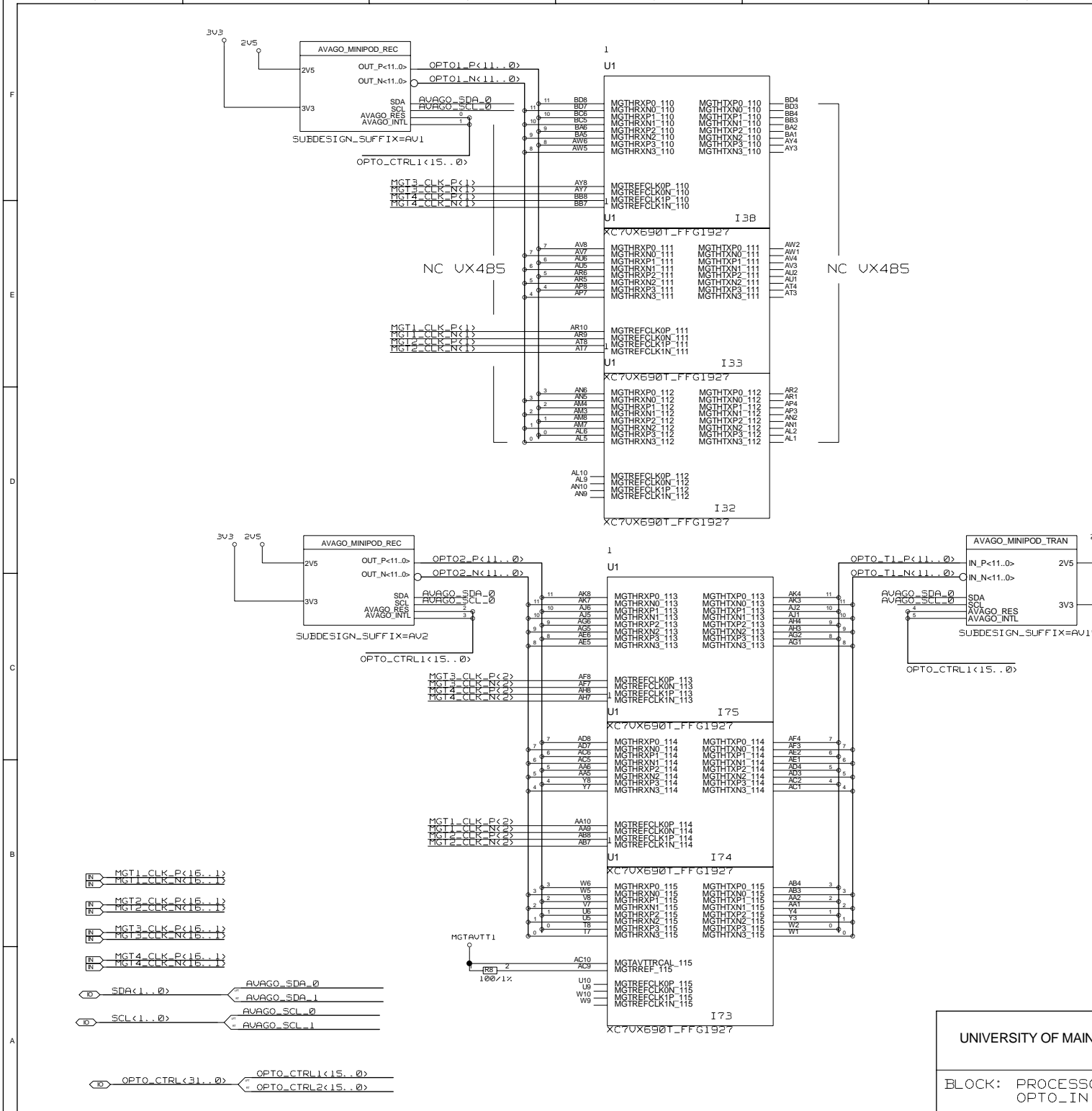
UNIVERSITY OF MAINZ		DRAWING TITLE L1TOPO PROTOTYPE	
SIZE C	REV.	DRAWING NO.	
SCALE			SHEET OF

REVISIONS				
ZONE	LTR	DESCRIPTION	DATE	APPR.



UNIVERSITY OF MAINZ		DRAWING TITLE	
BLOCK: PROCESSOR		OPTO INPUT	
SIZE C	REV.	DRAWING NO.	
SCALE		SHEET OF	

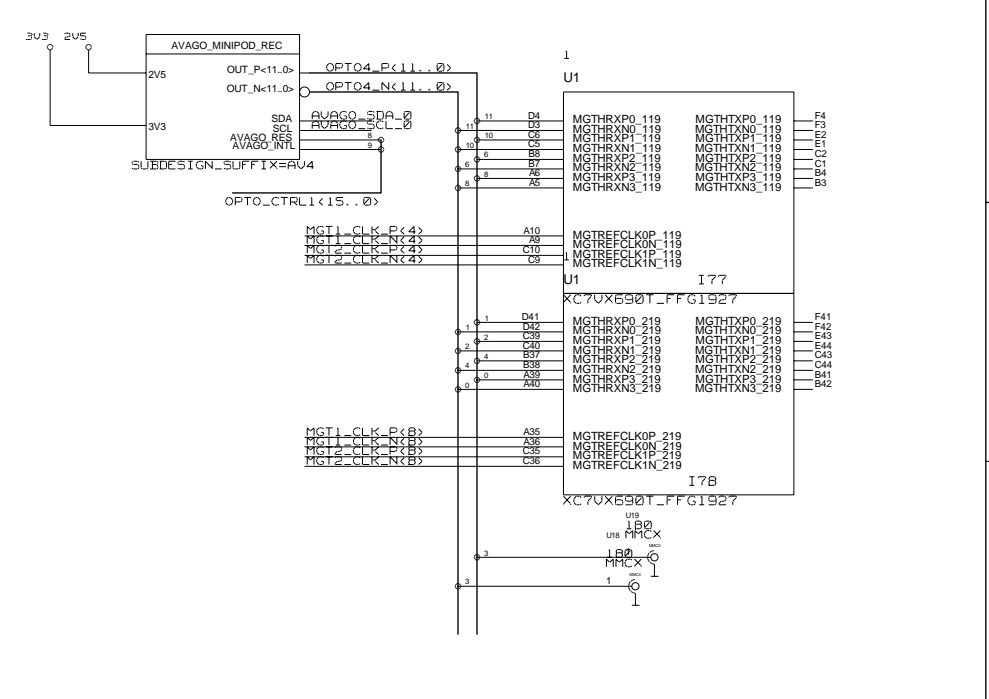
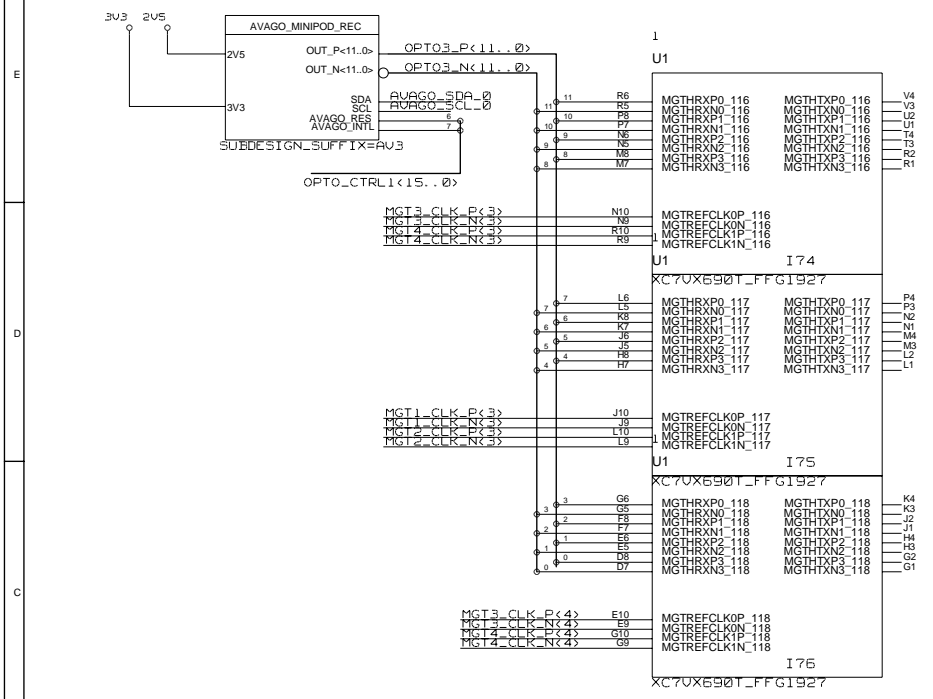
REVISIONS				
ZONE	LTR	DESCRIPTION	DATE	APPR.



- (N) MGT1_CLK_P<15..1>
- (N) MGT1_CLK_N<15..1>
- (N) MGT2_CLK_P<15..1>
- (N) MGT2_CLK_N<15..1>
- (N) MGT3_CLK_P<15..1>
- (N) MGT3_CLK_N<15..1>
- (N) MGT4_CLK_P<15..1>
- (N) MGT4_CLK_N<15..1>
- (0) SDA<1..0>
- (0) AVAGO_SDA_0
- (0) AVAGO_SDA_1
- (0) SCL<1..0>
- (0) AVAGO_SCL_0
- (0) AVAGO_SCL_1
- (0) OPTO_CTRL<31..0>
- (0) OPTO_CTRL<15..0>
- (0) OPTO_CTRL<2..15..0>

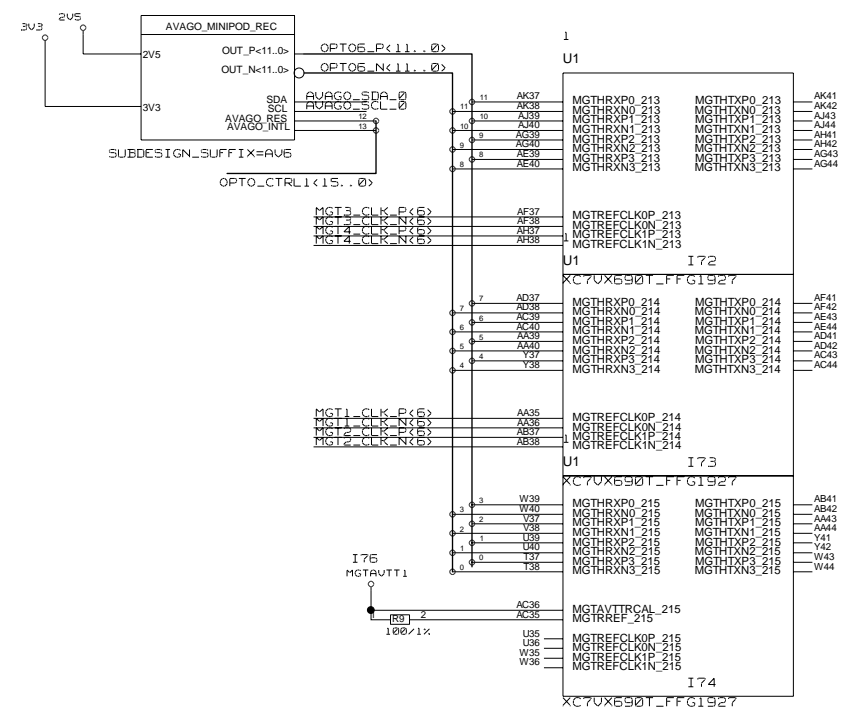
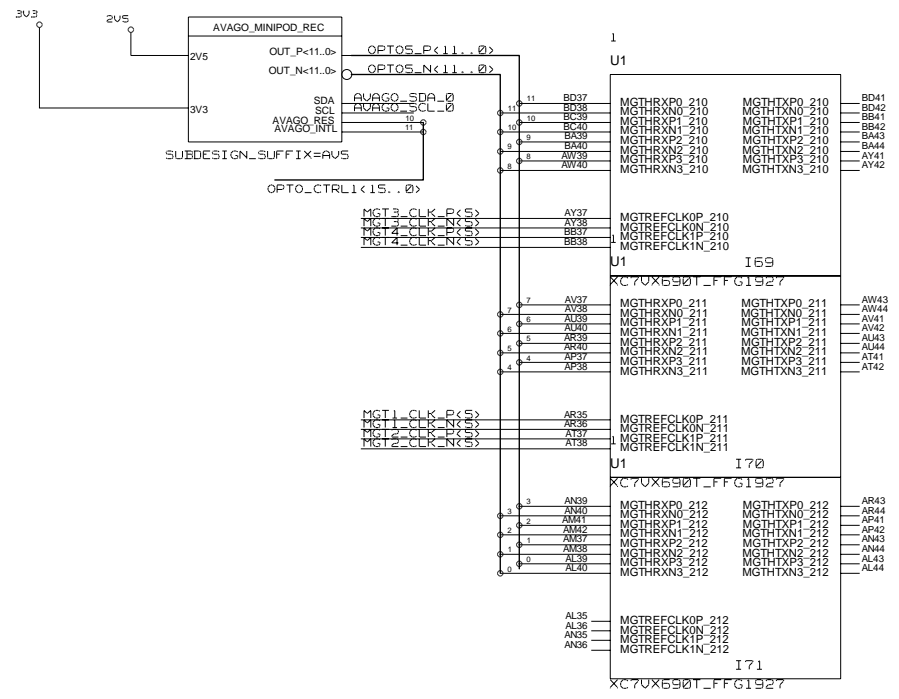
UNIVERSITY OF MAINZ		DRAWING TITLE	
BLOCK: PROCESSOR OPTO_IN		OPTO INPUT OPTO OUTPUT	
SIZE	REV.	DRAWING NO.	
C			
SCALE		SHEET OF	

REVISIONS				
ZONE	LTR	DESCRIPTION	DATE	APPR.



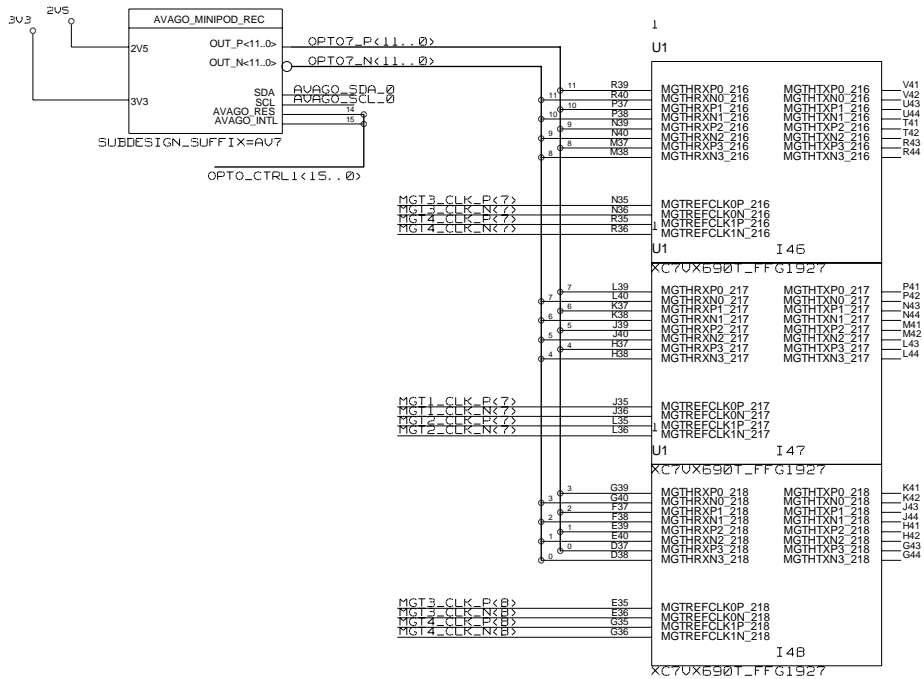
UNIVERSITY OF MAINZ		DRAWING TITLE	
BLOCK: PROCESSOR OPTO_IN		OPTO INPUT	
SIZE	REV.	DRAWING NO.	
C			
SCALE		SHEET OF	


REVISIONS				
ZONE	LTR	DESCRIPTION	DATE	APPR.



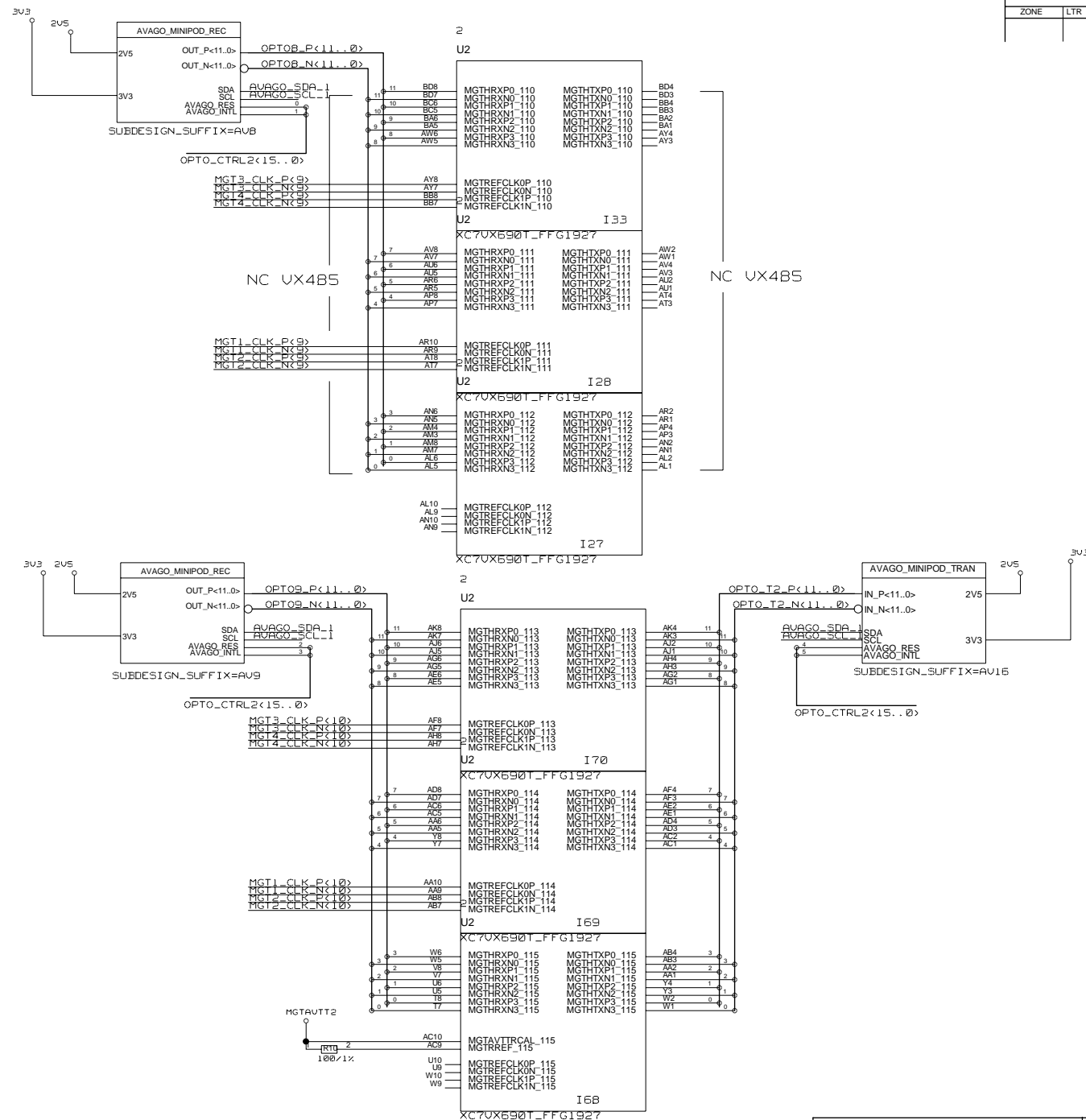
UNIVERSITY OF MAINZ		DRAWING TITLE	
BLOCK: PROCESSOR OPTO_IN		OPTO INPUT	
SIZE	REV.	DRAWING NO.	
C			
SCALE		SHEET OF	

REVISIONS				
ZONE	LTR	DESCRIPTION	DATE	APPR.



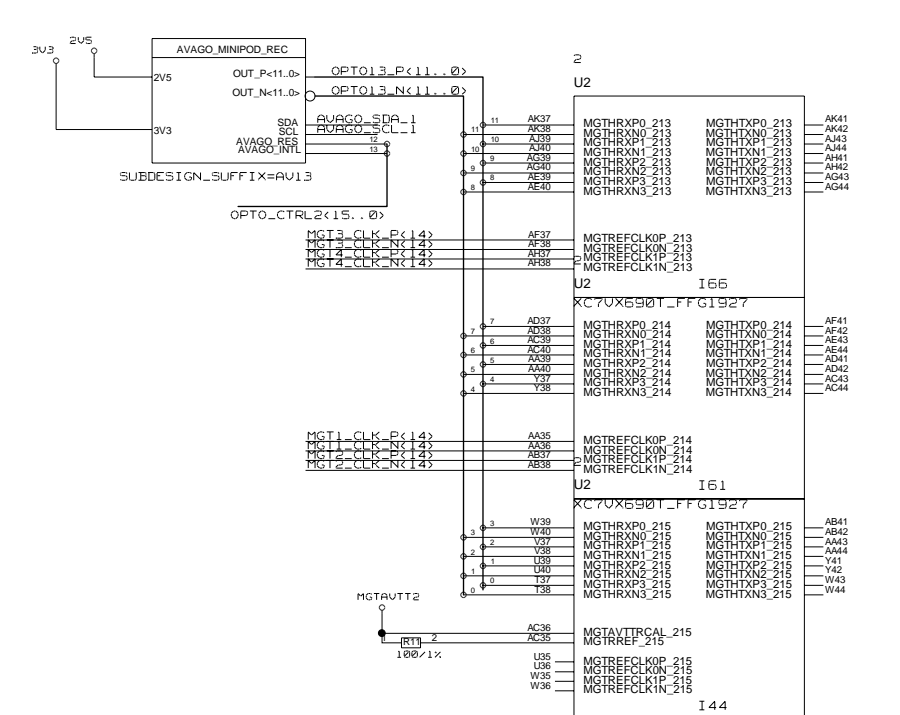
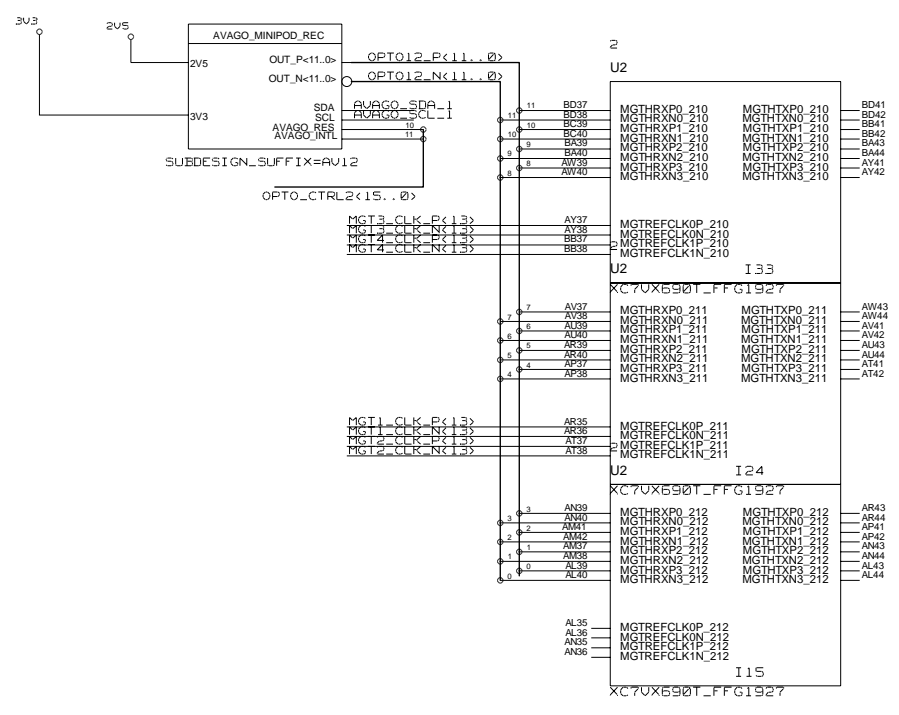
UNIVERSITY OF MAINZ		DRAWING TITLE	
BLOCK: PROCESSOR OPTO_IN		OPTO INPUT 	
SIZE	REV.	DRAWING NO.	
C			
SCALE		SHEET OF	

REVISIONS				
ZONE	LTR	DESCRIPTION	DATE	APPR.



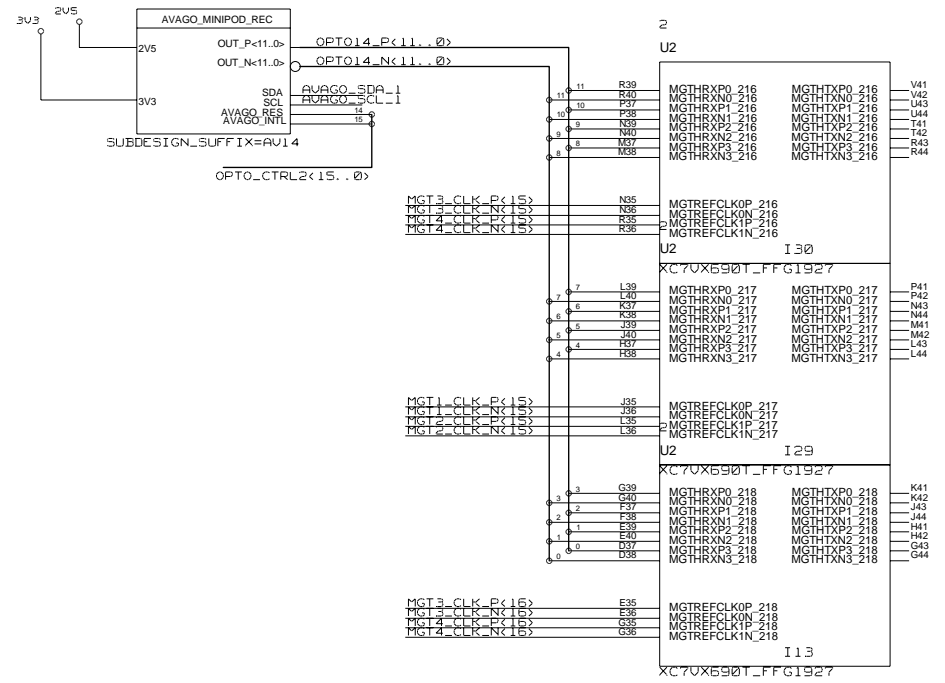
UNIVERSITY OF MAINZ		DRAWING TITLE	
BLOCK: PROCESSOR OPTO_IN		OPTO INPUT B OPTO OUTPUT	
SIZE	REV.	DRAWING NO.	
C			
SCALE		SHEET OF	

REVISIONS				
ZONE	LTR	DESCRIPTION	DATE	APPR.



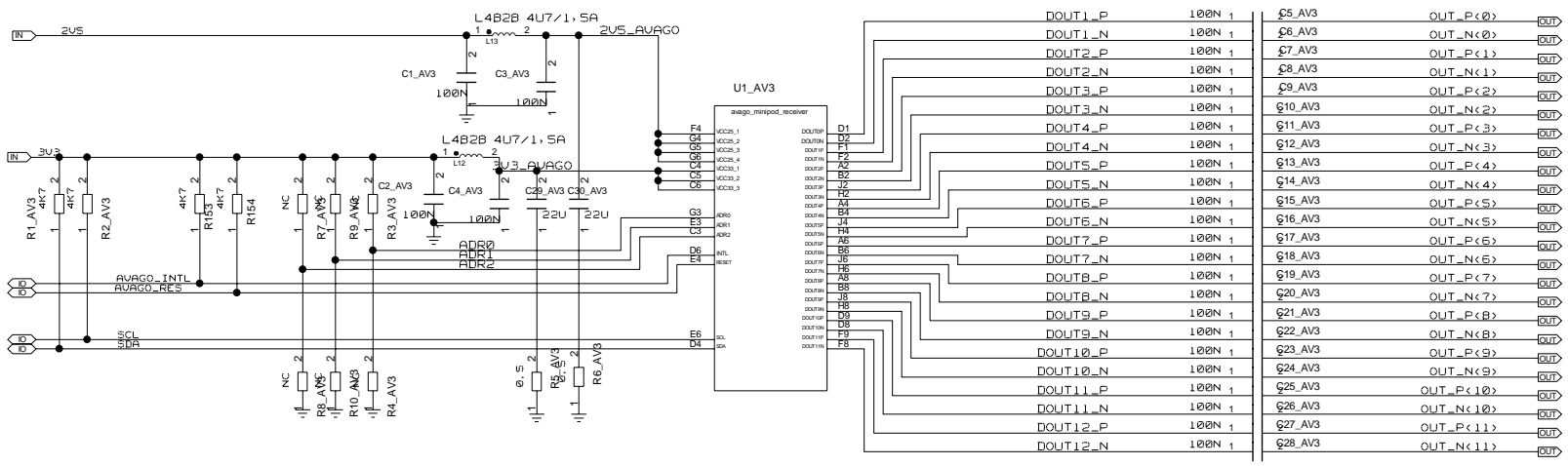
UNIVERSITY OF MAINZ		DRAWING TITLE	
BLOCK: PROCESSOR OPTO_IN		OPTO INPUT B	
SIZE	REV.	DRAWING NO.	
C			
SCALE		SHEET OF	

REVISIONS				
ZONE	LTR	DESCRIPTION	DATE	APPR.



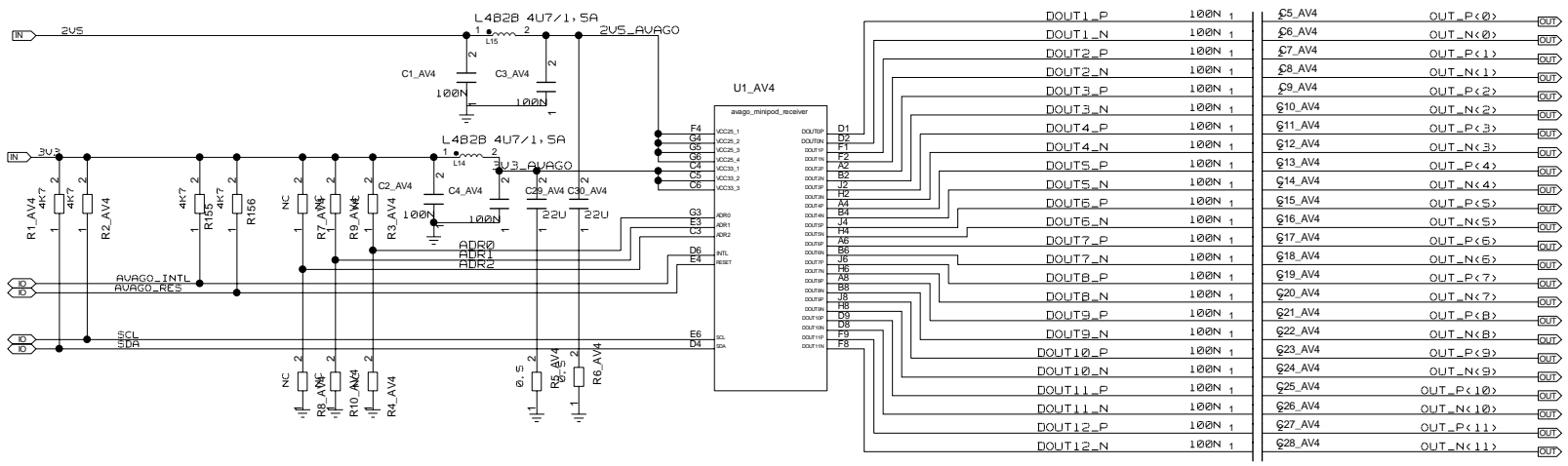
UNIVERSITY OF MAINZ		DRAWING TITLE		
BLOCK: PROCESSOR OPTO_IN		OPTO INPUT B		
SIZE	REV.	DRAWING NO.		
C				
SCALE				SHEET OF

REVISIONS				
ZONE	LTR	DESCRIPTION	DATE	APPR.



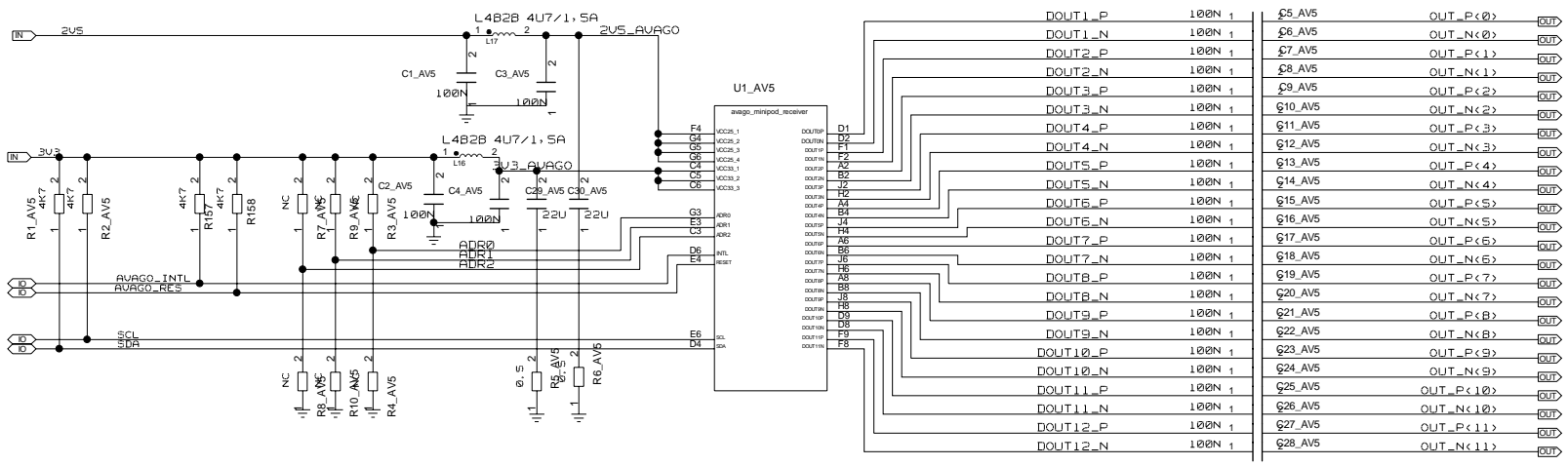
UNIVERSITY OF MAINZ		DRAWING TITLE	
		AVAGO RECEIVER	
SIZE	REV.	DRAWING NO.	
C			
SCALE		SHEET OF	

REVISIONS				
ZONE	LTR	DESCRIPTION	DATE	APPR.



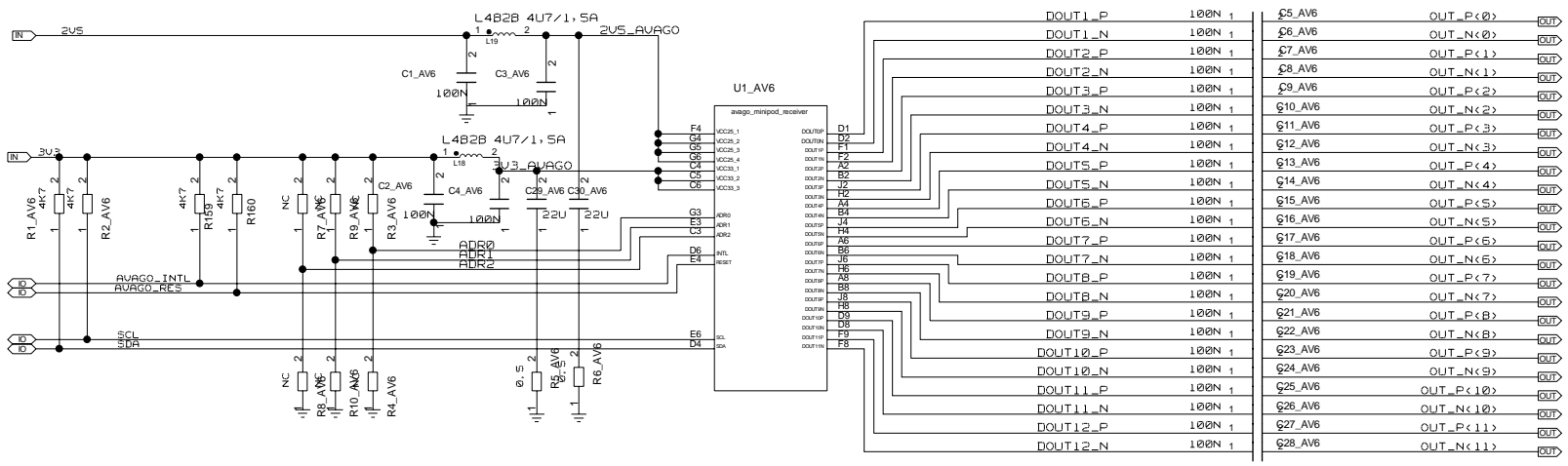
UNIVERSITY OF MAINZ		DRAWING TITLE	
		AVAGO RECEIVER	
SIZE	REV.	DRAWING NO.	
C			
SCALE		SHEET OF	

REVISIONS				
ZONE	LTR	DESCRIPTION	DATE	APPR.



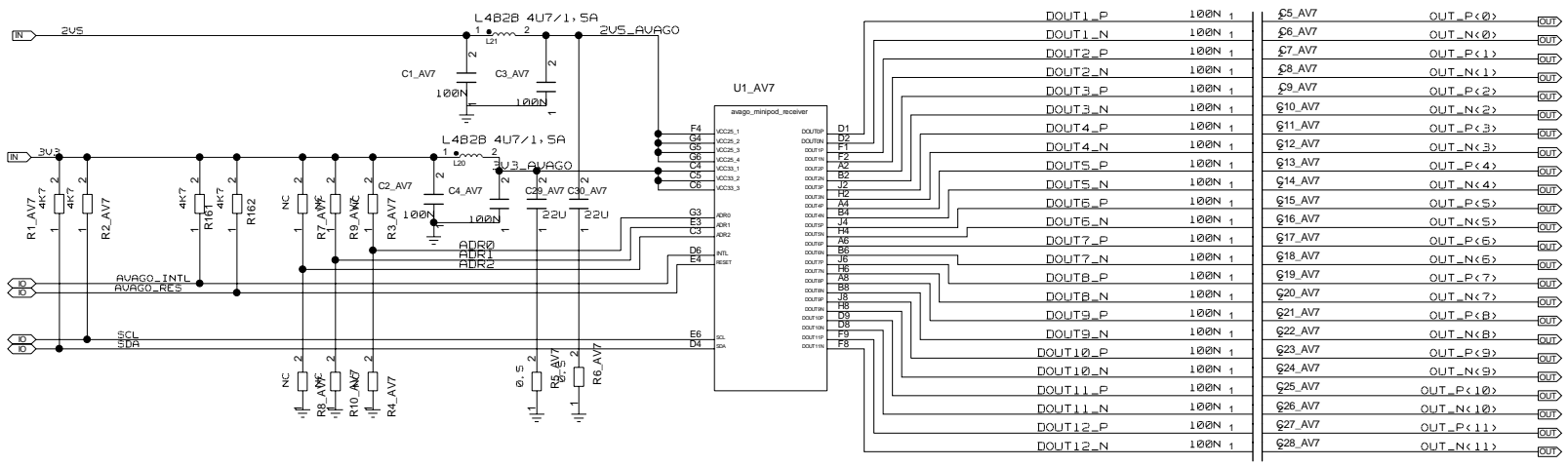
UNIVERSITY OF MAINZ		DRAWING TITLE	
		AVAGO RECEIVER	
SIZE	REV.	DRAWING NO.	
C			
SCALE			SHEET OF

REVISIONS				
ZONE	LTR	DESCRIPTION	DATE	APPR.



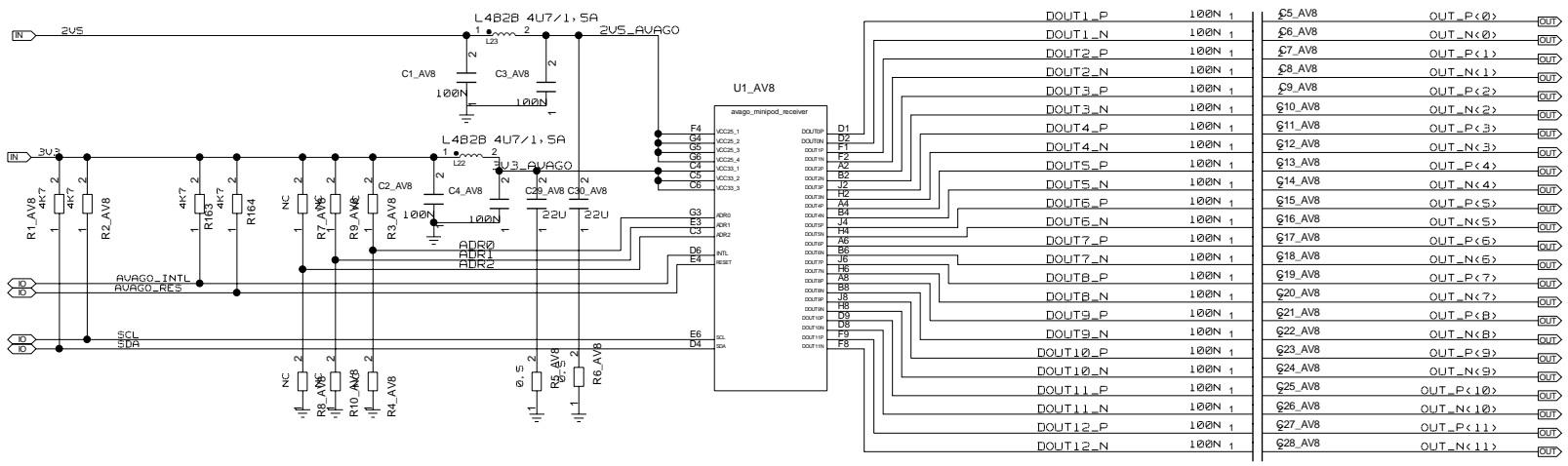
UNIVERSITY OF MAINZ		DRAWING TITLE	
		AVAGO RECEIVER	
SIZE	REV.	DRAWING NO.	
C			
SCALE		SHEET OF	

REVISIONS				
ZONE	LTR	DESCRIPTION	DATE	APPR.



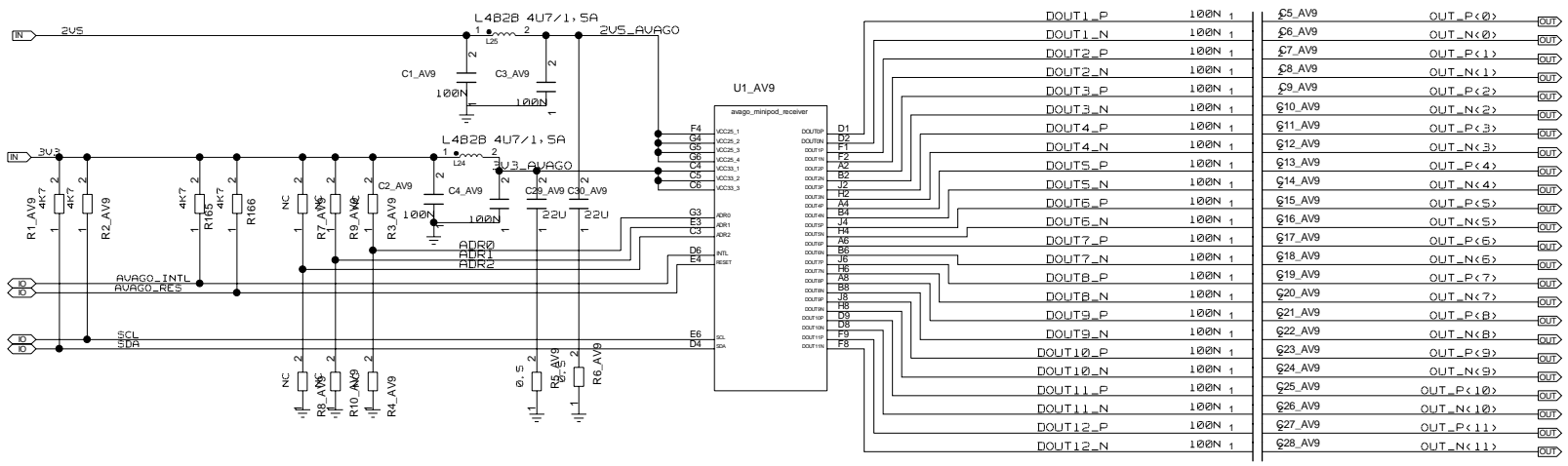
UNIVERSITY OF MAINZ		DRAWING TITLE	
		AVAGO RECEIVER	
SIZE	REV.	DRAWING NO.	
C			
SCALE		SHEET OF	

REVISIONS				
ZONE	LTR	DESCRIPTION	DATE	APPR.



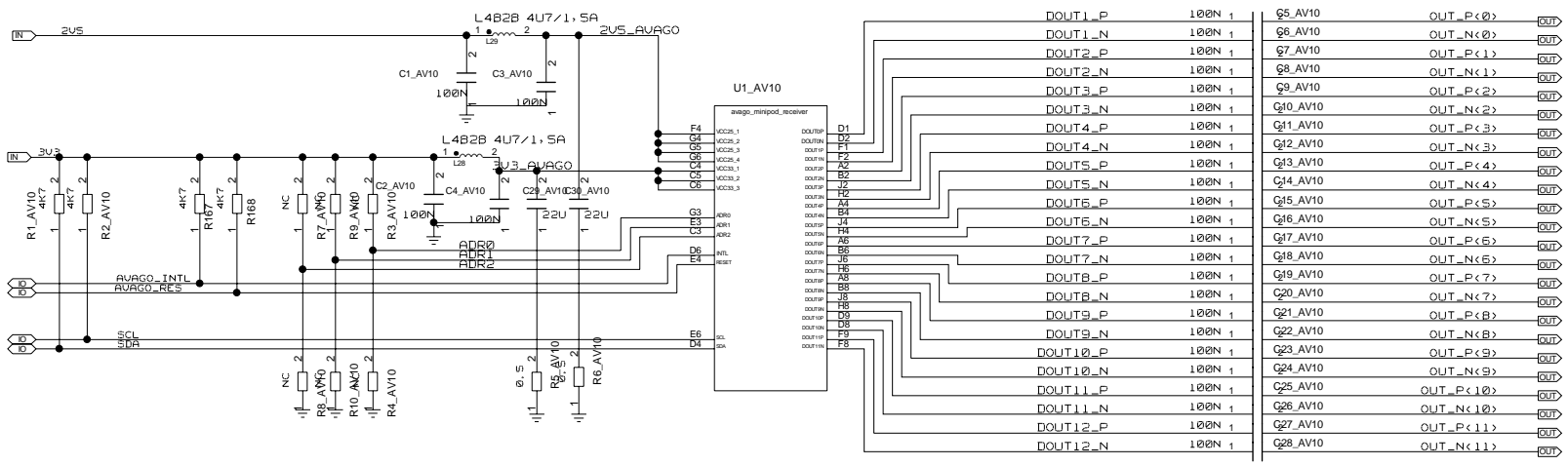
UNIVERSITY OF MAINZ		DRAWING TITLE	
		AVAGO RECEIVER	
SIZE	REV.	DRAWING NO.	
C			
SCALE		SHEET OF	

REVISIONS				
ZONE	LTR	DESCRIPTION	DATE	APPR.



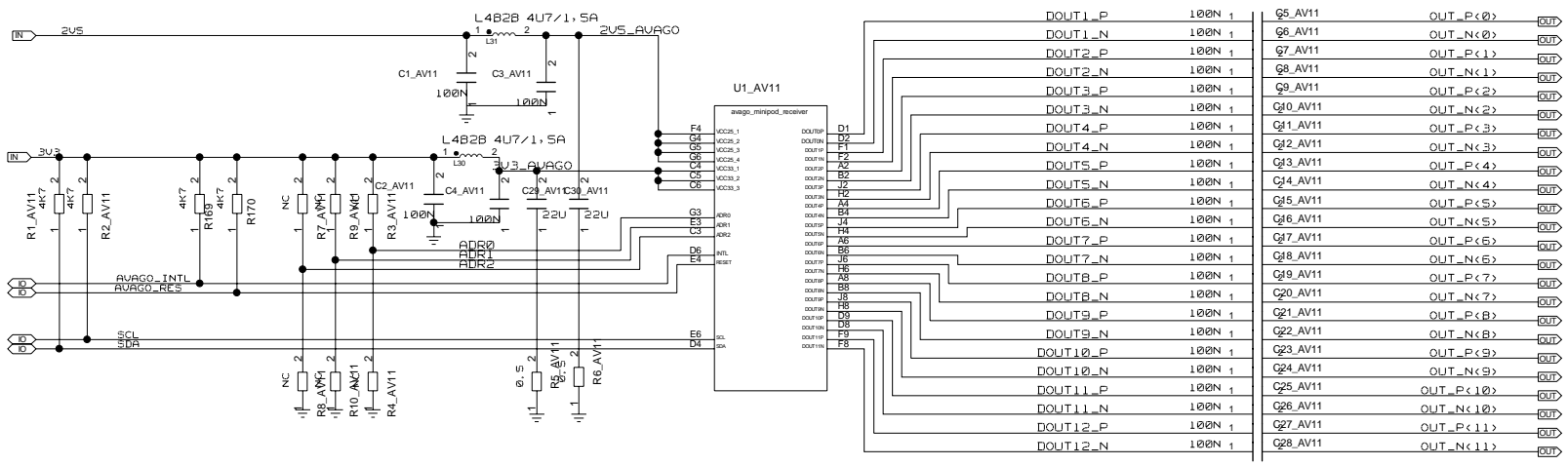
UNIVERSITY OF MAINZ		DRAWING TITLE	
		AVAGO RECEIVER	
SIZE	REV.	DRAWING NO.	
C			
SCALE		SHEET OF	

REVISIONS				
ZONE	LTR	DESCRIPTION	DATE	APPR.



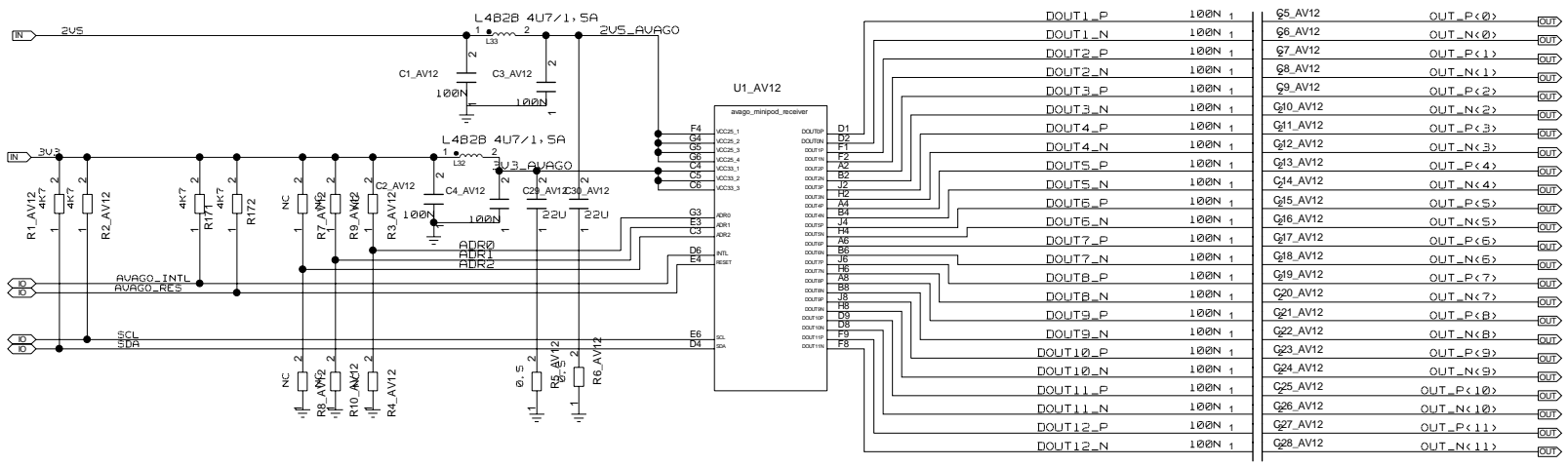
UNIVERSITY OF MAINZ		DRAWING TITLE	
		AVAGO RECEIVER	
SIZE	REV.	DRAWING NO.	
C			
SCALE			SHEET OF

REVISIONS				
ZONE	LTR	DESCRIPTION	DATE	APPR.



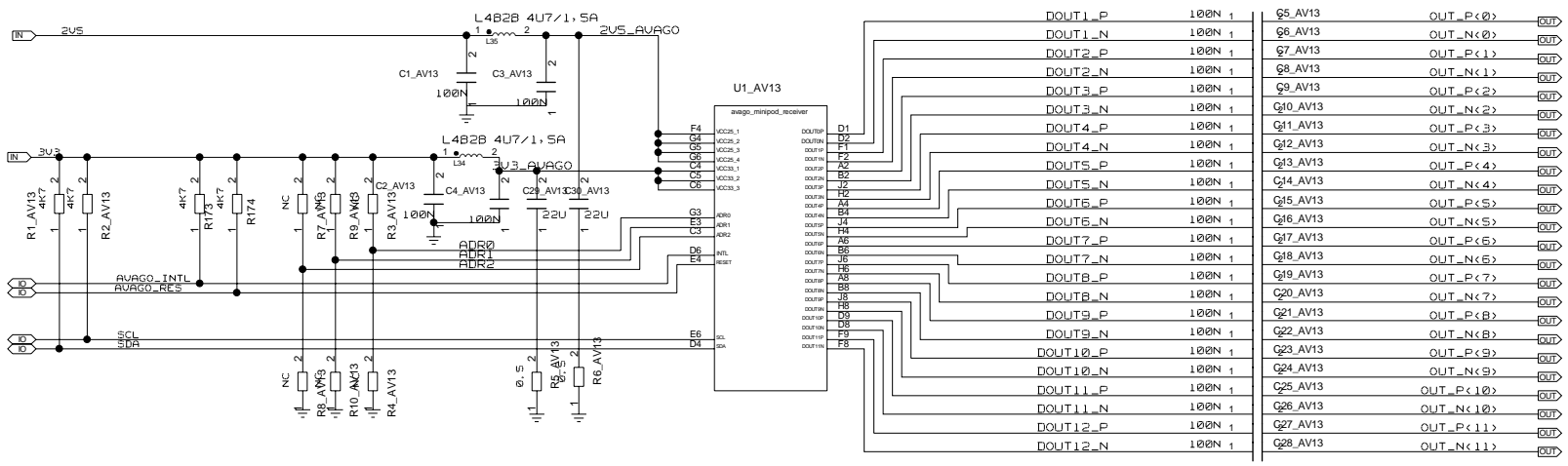
UNIVERSITY OF MAINZ		DRAWING TITLE	
		AVAGO RECEIVER	
SIZE	REV.	DRAWING NO.	
C			
SCALE		SHEET OF	

REVISIONS				
ZONE	LTR	DESCRIPTION	DATE	APPR.



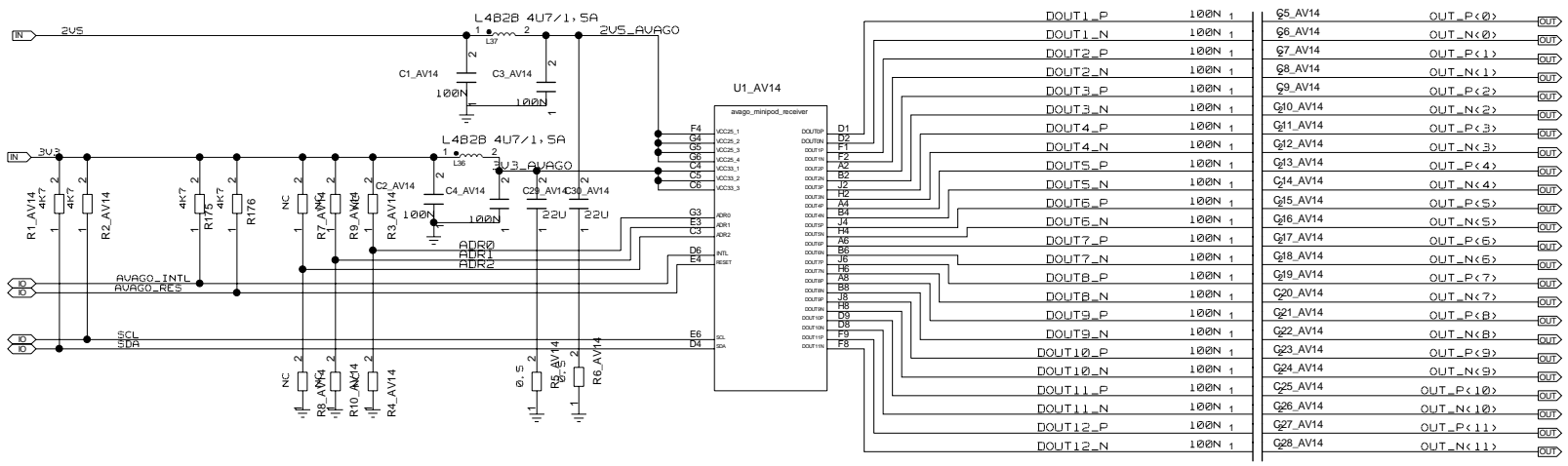
UNIVERSITY OF MAINZ		DRAWING TITLE	
		AVAGO RECEIVER	
SIZE	REV.	DRAWING NO.	
C			
SCALE		SHEET OF	

REVISIONS				
ZONE	LTR	DESCRIPTION	DATE	APPR.



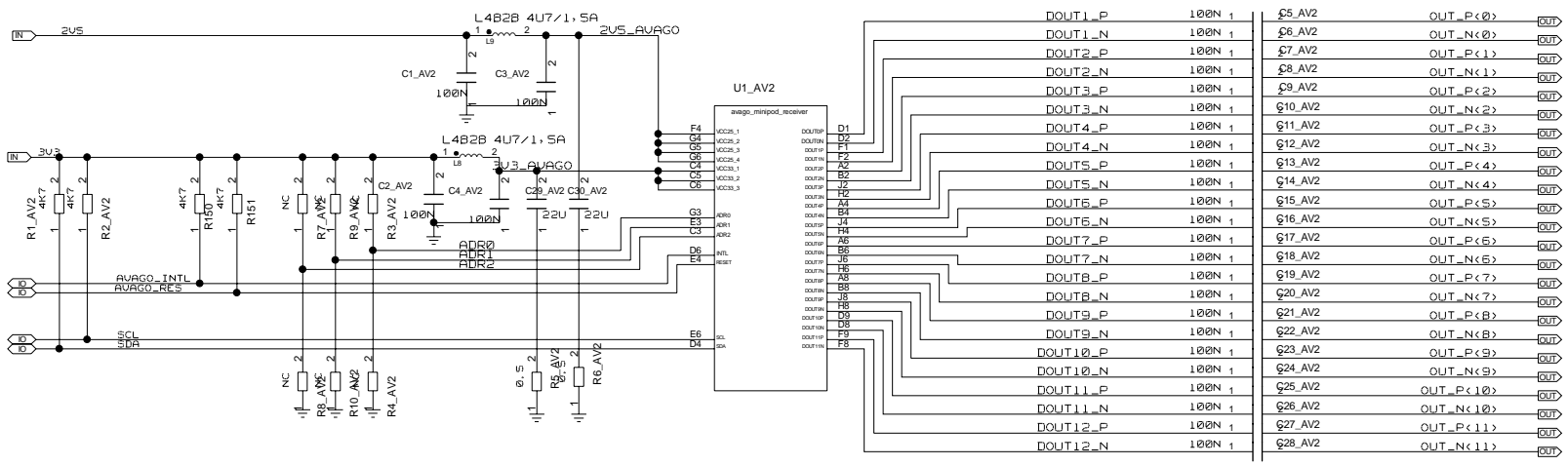
UNIVERSITY OF MAINZ		DRAWING TITLE	
		AVAGO RECEIVER	
SIZE	REV.	DRAWING NO.	
C			
SCALE		SHEET OF	

REVISIONS				
ZONE	LTR	DESCRIPTION	DATE	APPR.



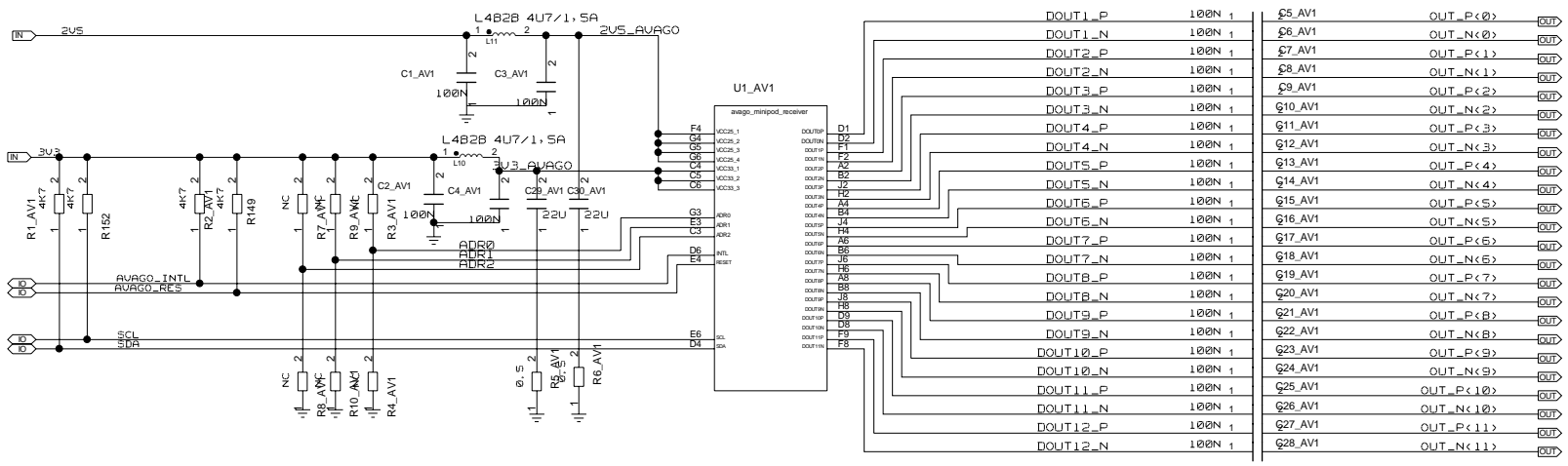
UNIVERSITY OF MAINZ		DRAWING TITLE	
		AVAGO RECEIVER	
SIZE	REV.	DRAWING NO.	
C			
SCALE		SHEET OF	

REVISIONS				
ZONE	LTR	DESCRIPTION	DATE	APPR.



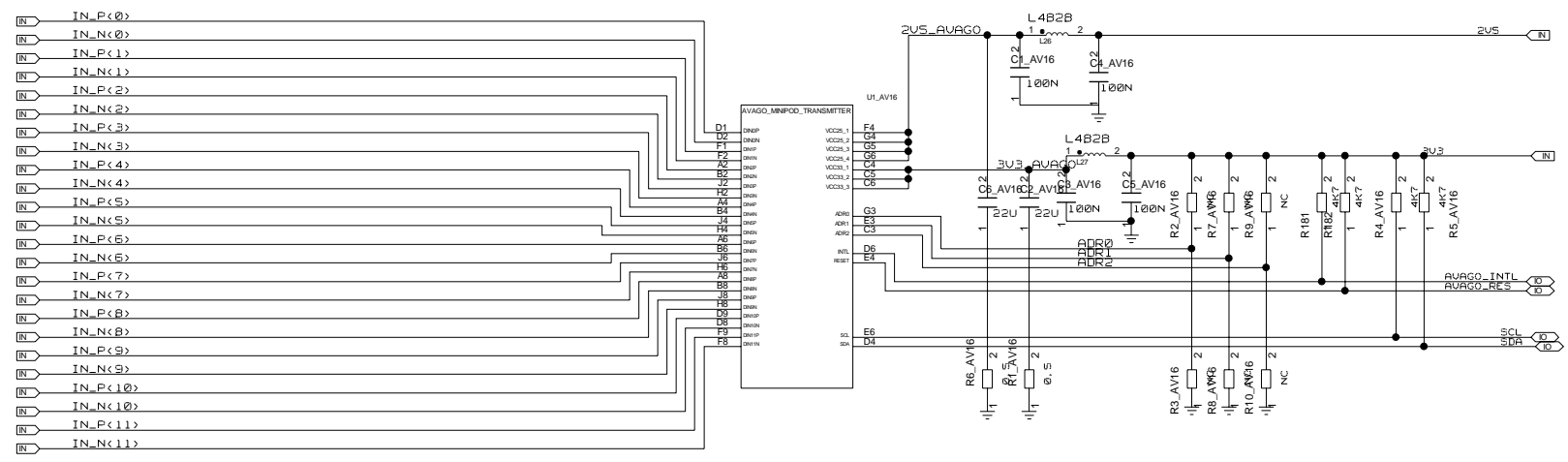
UNIVERSITY OF MAINZ		DRAWING TITLE	
		AVAGO RECEIVER	
SIZE	REV.	DRAWING NO.	
C			
SCALE		SHEET OF	

REVISIONS				
ZONE	LTR	DESCRIPTION	DATE	APPR.



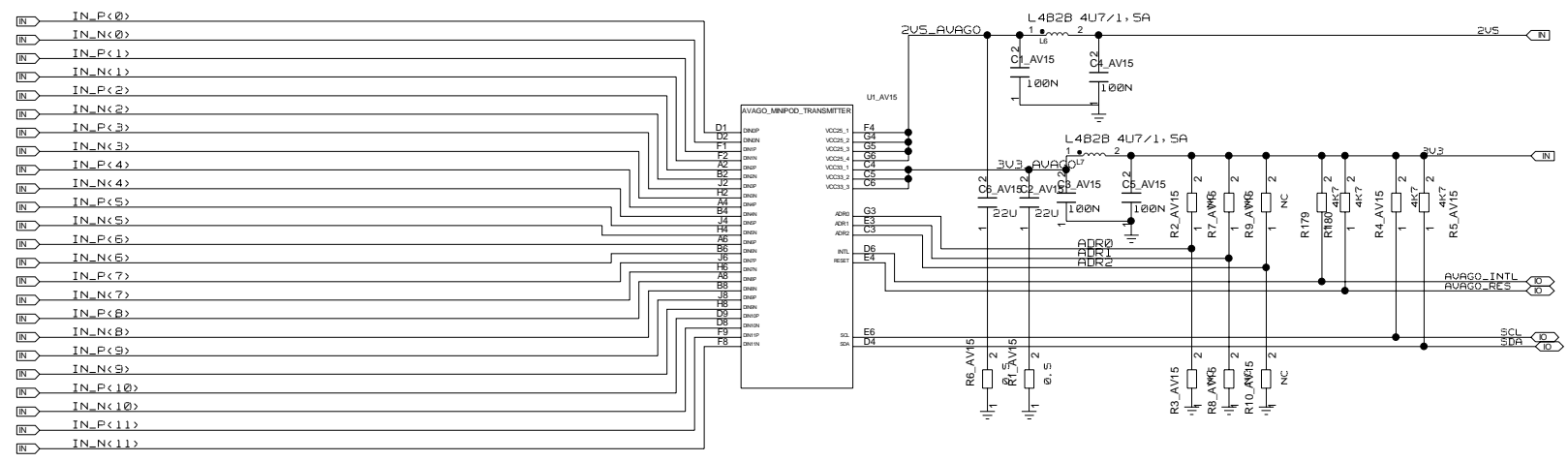
UNIVERSITY OF MAINZ		DRAWING TITLE	
		AVAGO RECEIVER	
SIZE	REV.	DRAWING NO.	
C			
SCALE		SHEET OF	

REVISIONS				
ZONE	LTR	DESCRIPTION	DATE	APPR.



UNIVERSITY OF MAINZ		DRAWING TITLE	
		AVAGO TRANSMITTER	
SIZE	REV.	DRAWING NO.	
C			
SCALE			SHEET OF

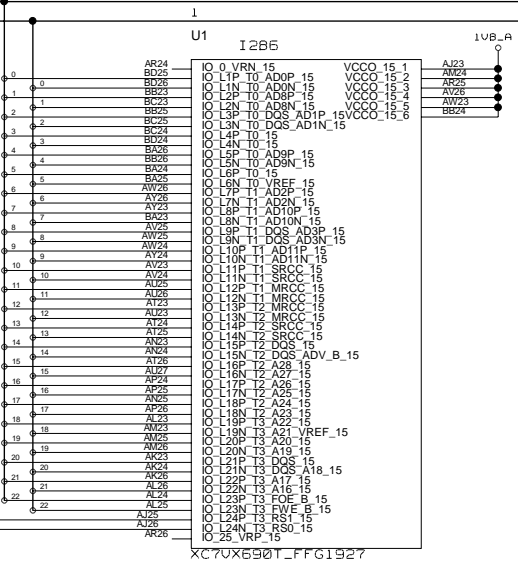
REVISIONS				
ZONE	LTR	DESCRIPTION	DATE	APPR.



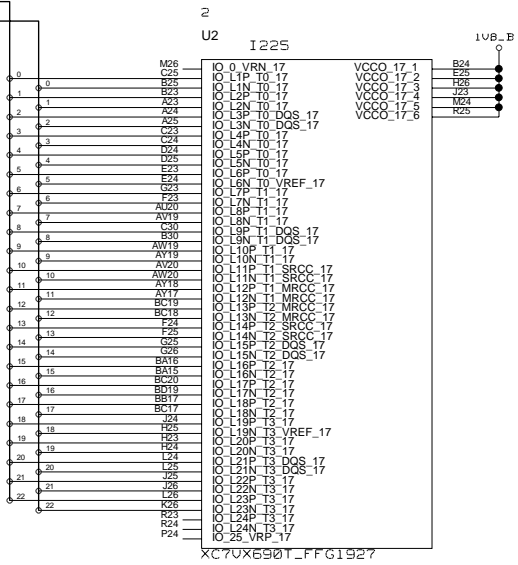
UNIVERSITY OF MAINZ		DRAWING TITLE	
		AVAGO TRANSMITTER	
SIZE	REV.	DRAWING NO.	
C			
SCALE			SHEET OF

REVISIONS				
ZONE	LTR	DESCRIPTION	DATE	APPR.

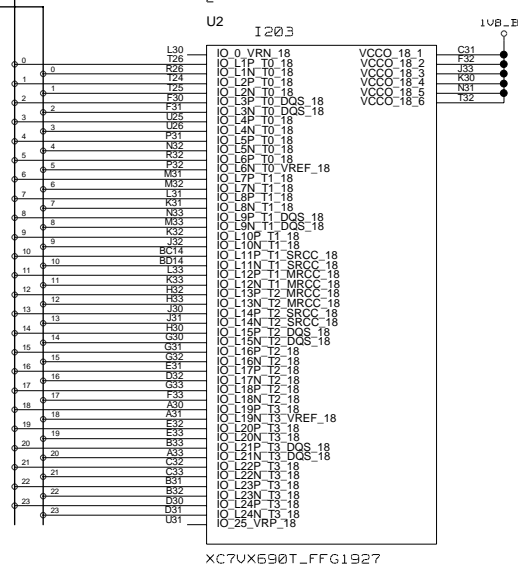
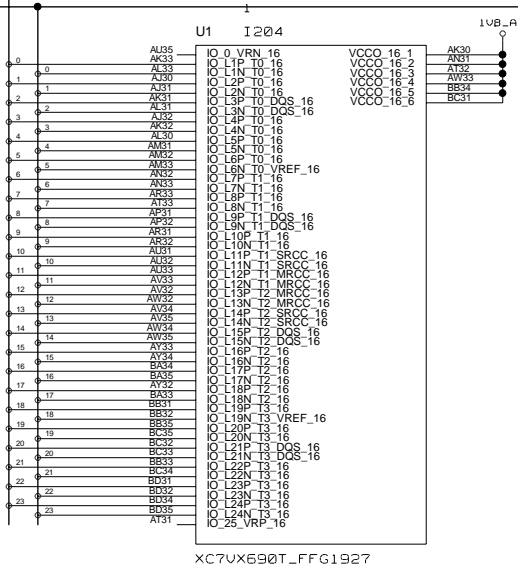
BANK15_P<22..0>
BANK15_N<22..0>



VIRTEX7_CTRL<23..0>



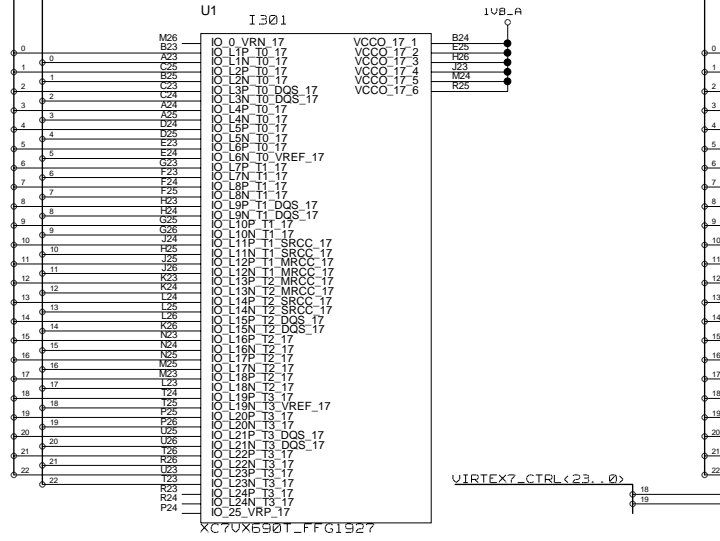
BANK16_P<23..0>
BANK16_N<23..0>



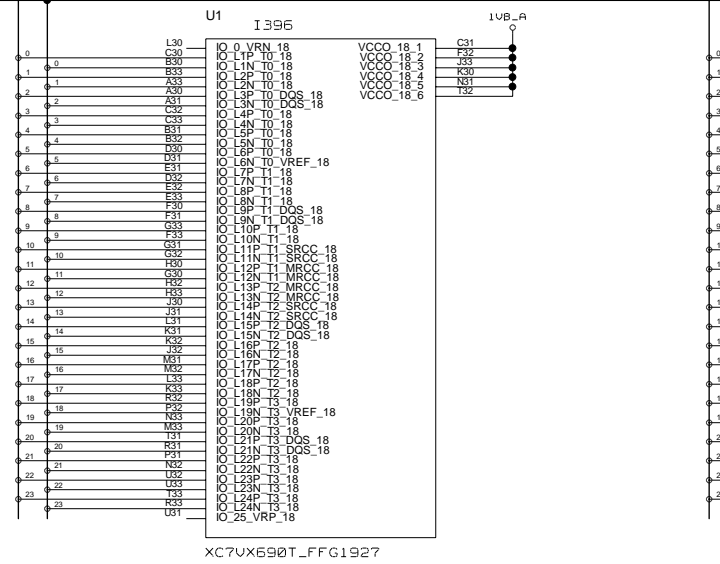
UNIVERSITY OF MAINZ		DRAWING TITLE	
BLOCK: PROCESSOR DATA_BUS		DATABUS	
SIZE	REV.	DRAWING NO.	
C			
SCALE		SHEET OF	

REVISIONS				
ZONE	LTR	DESCRIPTION	DATE	APPR.

BANK17_P<22..0>
BANK17_N<22..0>



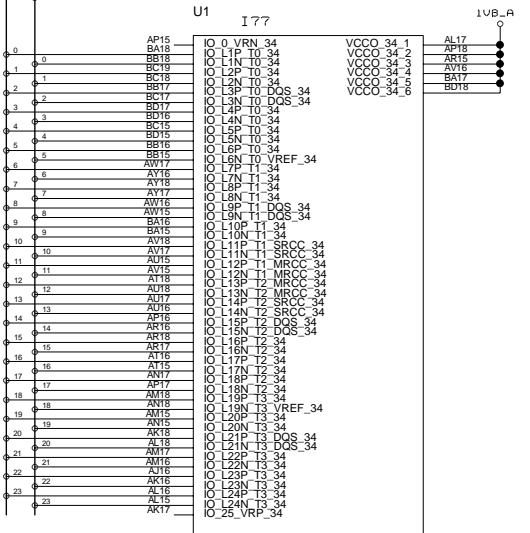
BANK18_P<23..0>
BANK18_N<23..0>



UNIVERSITY OF MAINZ		DRAWING TITLE	
BLOCK: PROCESSOR DATA_BUS		DATABUS	
SIZE	REV.	DRAWING NO.	
C			
SCALE		SHEET OF	

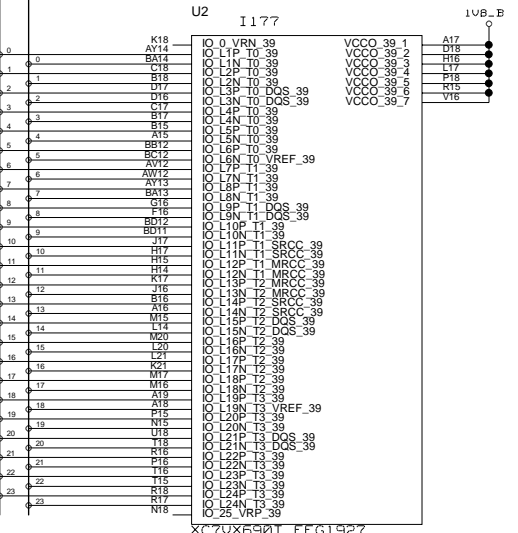
REVISIONS				
ZONE	LTR	DESCRIPTION	DATE	APPR.

BANK34_P<23...0>
BANK34_N<23...0>



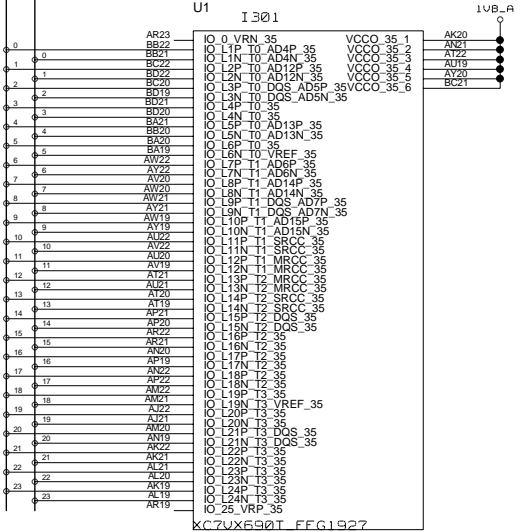
KC7UX690T_FFG1927

2



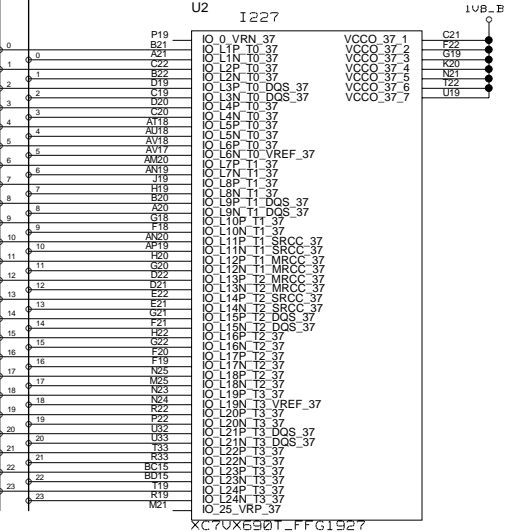
KC7UX690T_FFG1927

BANK35_P<23...0>
BANK35_N<23...0>



KC7UX690T_FFG1927

2

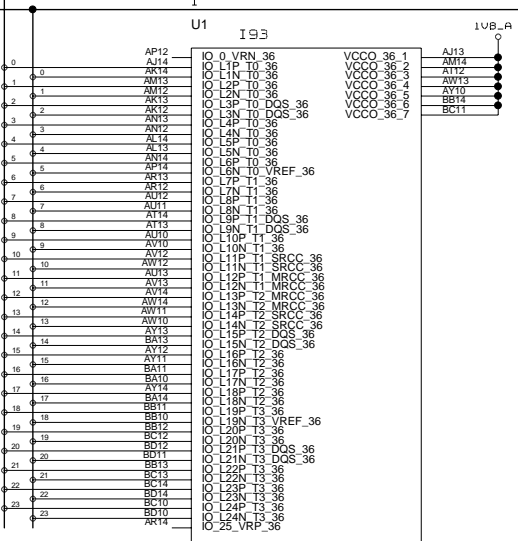


KC7UX690T_FFG1927

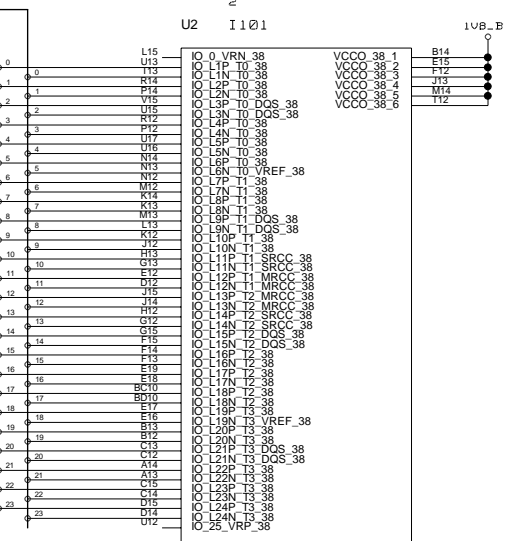
UNIVERSITY OF MAINZ BLOCK: PROCESSOR DATA_BUS	DRAWING TITLE		DATABUS	
	SIZE C	REV.	DRAWING NO.	
	SCALE		SHEET OF	

REVISIONS				
ZONE	LTR	DESCRIPTION	DATE	APPR.

BANK36_P<23...0>
BANK36_N<23...0>

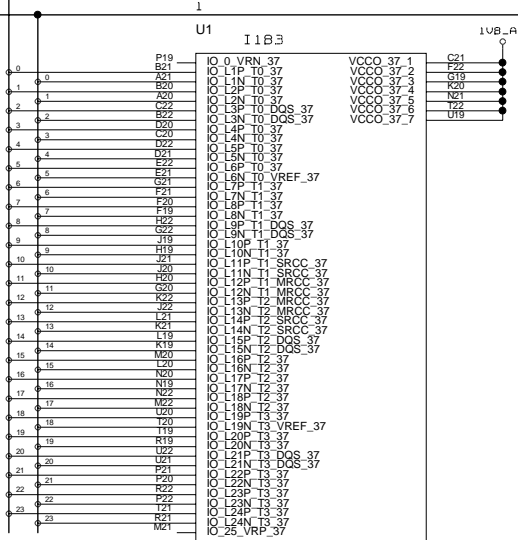


XC70X690T_FFG1927

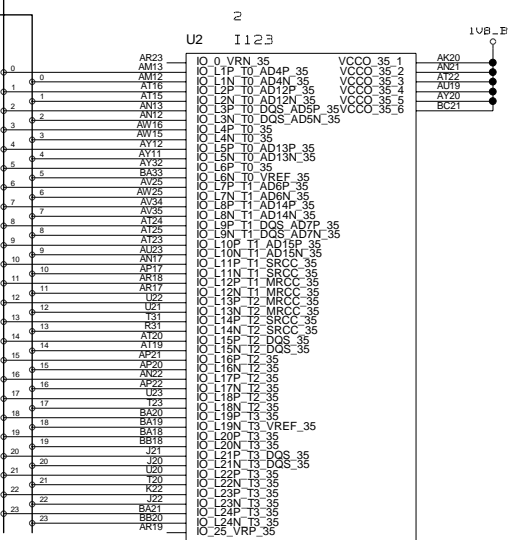


XC70X690T_FFG1927

BANK37_P<23...0>
BANK37_N<23...0>



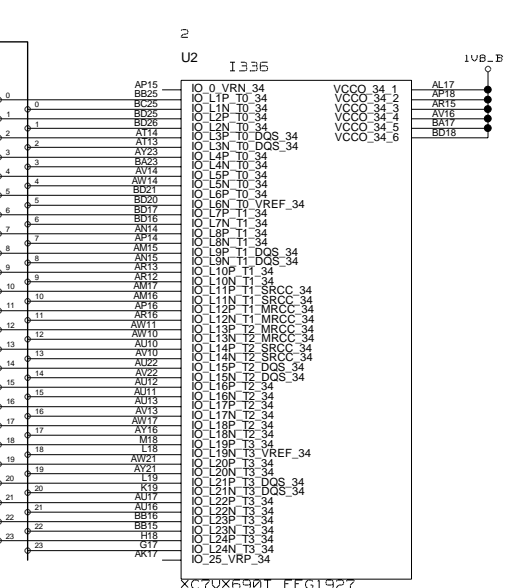
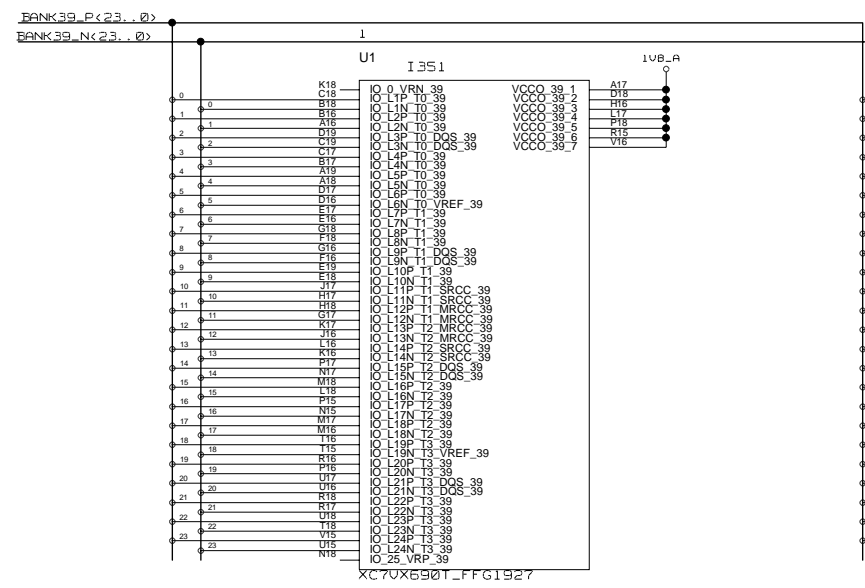
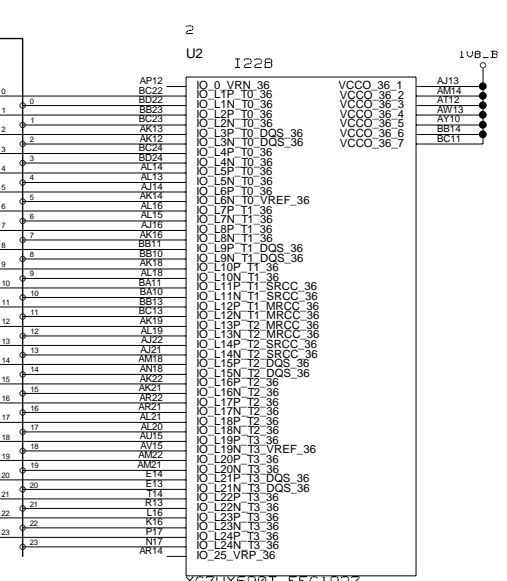
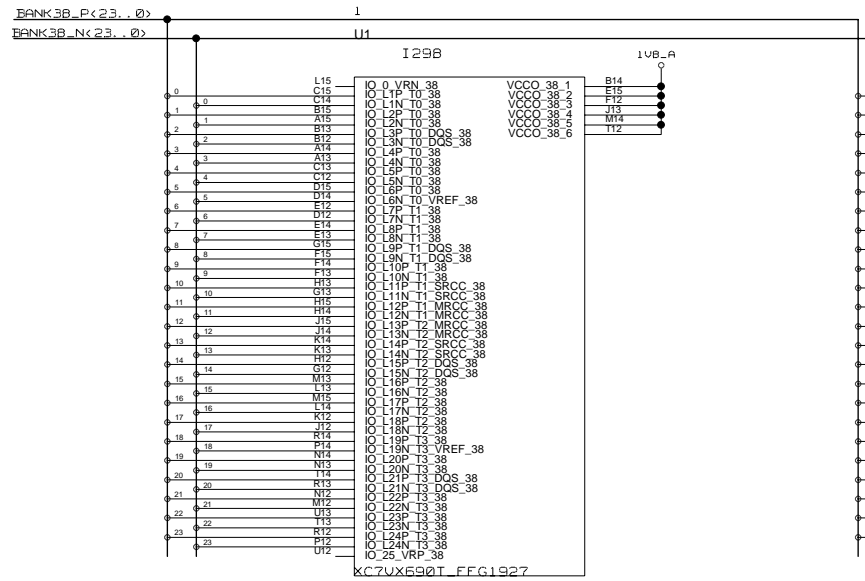
XC70X690T_FFG1927



XC70X690T_FFG1927

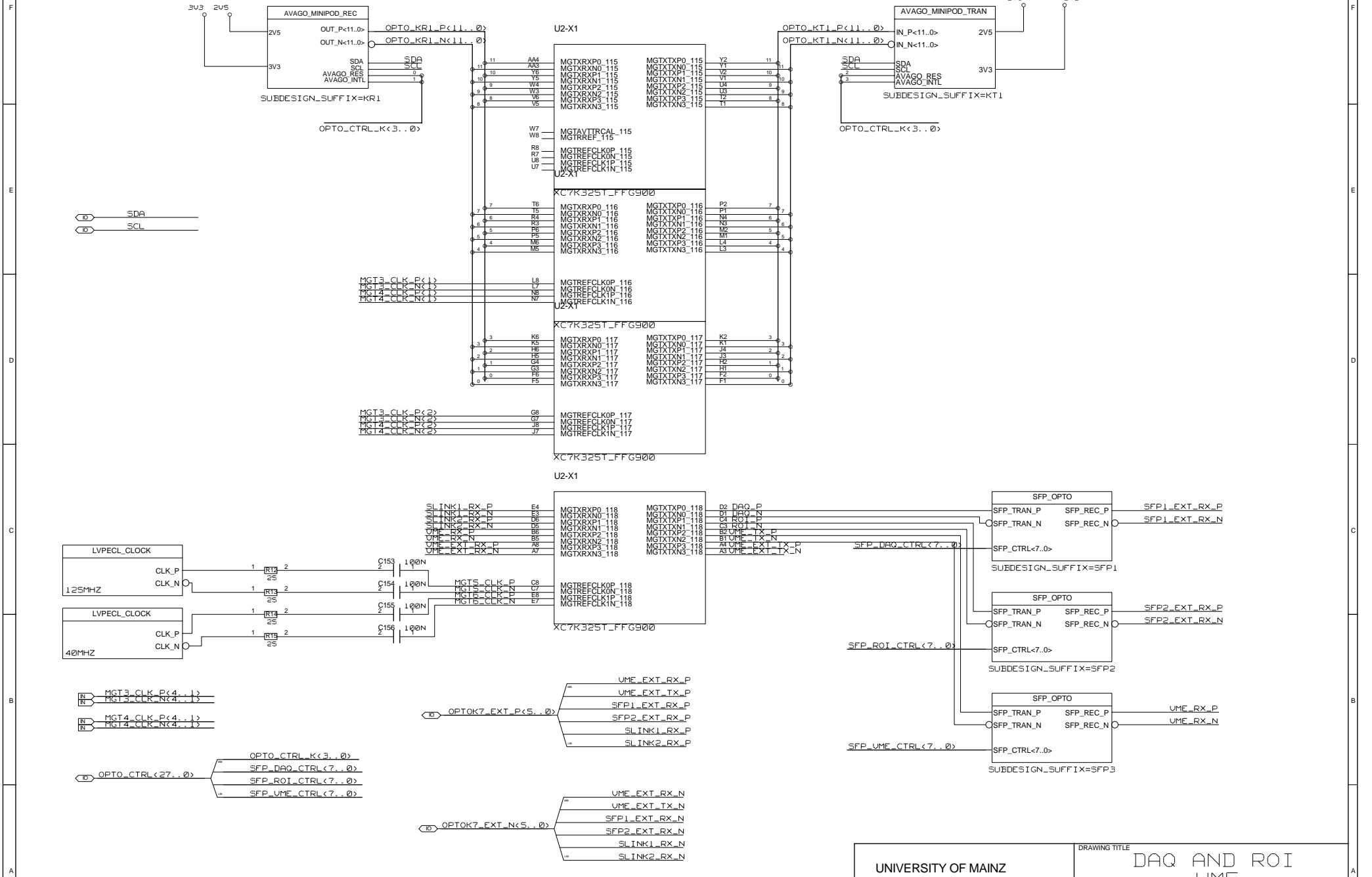
UNIVERSITY OF MAINZ		DRAWING TITLE	
BLOCK: PROCESSOR DATA_BUS		DATABUS	
SIZE	REV.	DRAWING NO.	
C			
SCALE		SHEET OF	

REVISIONS				
ZONE	LTR	DESCRIPTION	DATE	APPR.



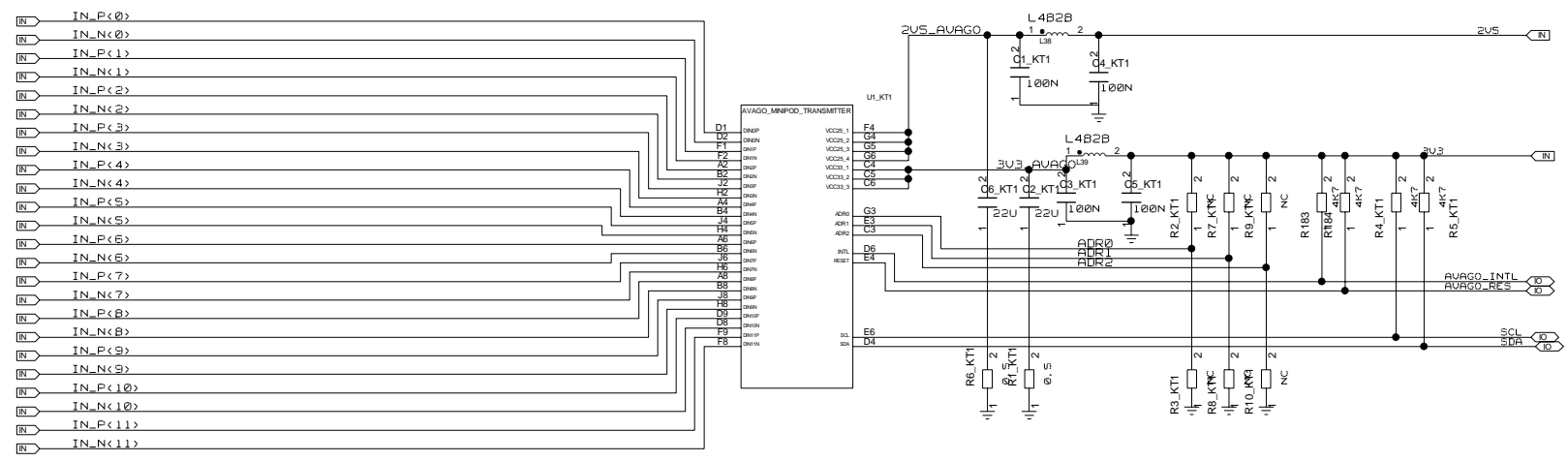
UNIVERSITY OF MAINZ		DRAWING TITLE	
BLOCK: PROCESSOR DATA_BUS		DATABUS	
SIZE	REV.	DRAWING NO.	
C			
SCALE		SHEET OF	

REVISIONS				
ZONE	LTR	DESCRIPTION	DATE	APPR.



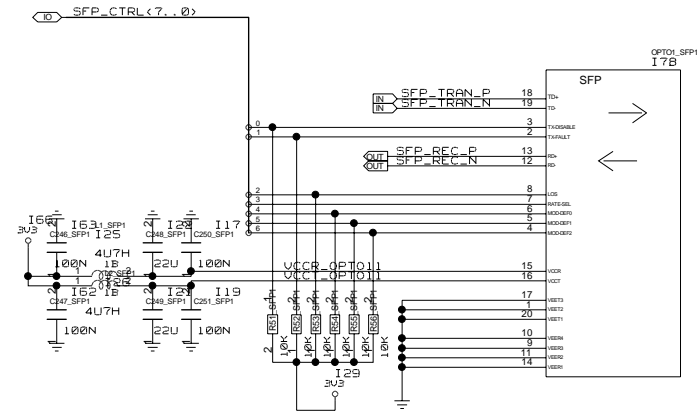
UNIVERSITY OF MAINZ		DRAWING TITLE	
BLOCK: PROCESSOR KINTEX7_OPTO		DAQ AND ROI UME	
SIZE	REV.	DRAWING NO.	
C			
SCALE		SHEET OF	

REVISIONS				
ZONE	LTR	DESCRIPTION	DATE	APPR.



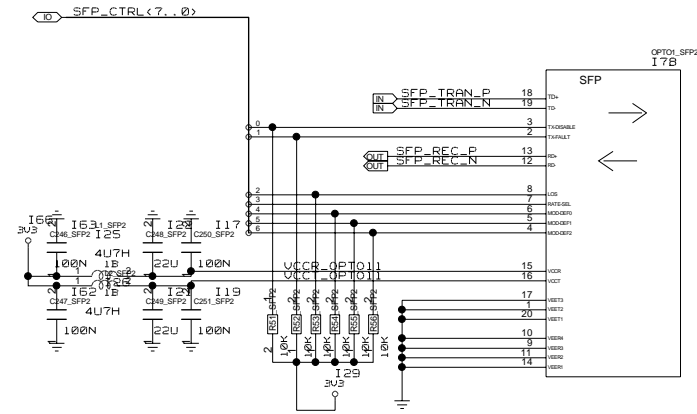
UNIVERSITY OF MAINZ		DRAWING TITLE	
		AVAGO TRANSMITTER	
SIZE	REV.	DRAWING NO.	
C			
SCALE		SHEET OF	

REVISIONS				
ZONE	LTR	DESCRIPTION	DATE	APPR.



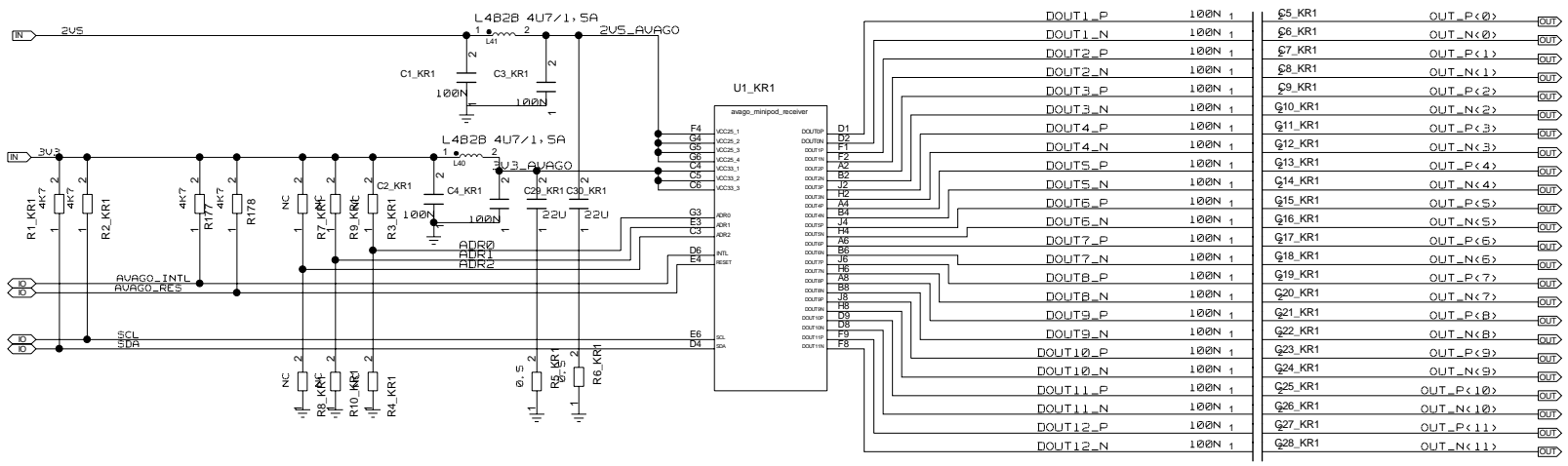
DRAWING TITLE		UNIVERSITY OF MAINZ	
SFP OPTOTRANSCEIVER			
SIZE	REV.	DRAWING NO.	
C			
SCALE		SHEET OF	

REVISIONS				
ZONE	LTR	DESCRIPTION	DATE	APPR.



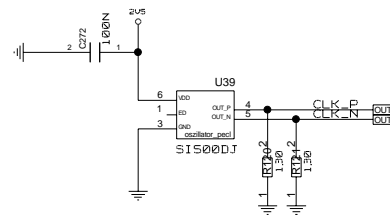
UNIVERSITY OF MAINZ		DRAWING TITLE SFP OPTOTRANSCEIVER	
SIZE C	REV.	DRAWING NO.	
SCALE		SHEET OF	

REVISIONS				
ZONE	LTR	DESCRIPTION	DATE	APPR.



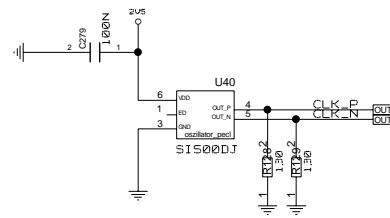
UNIVERSITY OF MAINZ		DRAWING TITLE	
		AVAGO RECEIVER	
SIZE	REV.	DRAWING NO.	
C			
SCALE		SHEET OF	

REVISIONS				
ZONE	LTR	DESCRIPTION	DATE	APPR.



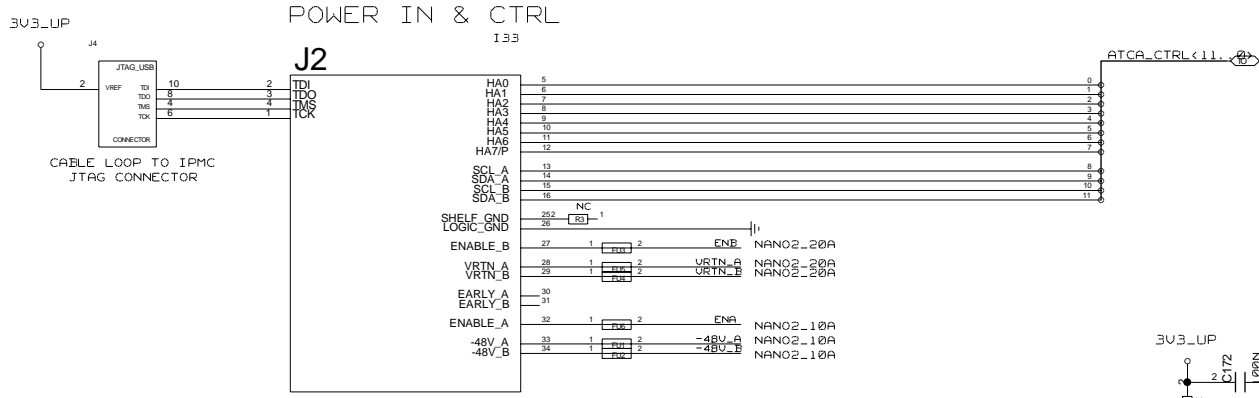
UNIVERSITY OF MAINZ		DRAWING TITLE	
		LUPECL_CLOCK	
SIZE	REV.	DRAWING NO.	
C			
SCALE		SHEET OF	

REVISIONS				
ZONE	LTR	DESCRIPTION	DATE	APPR.

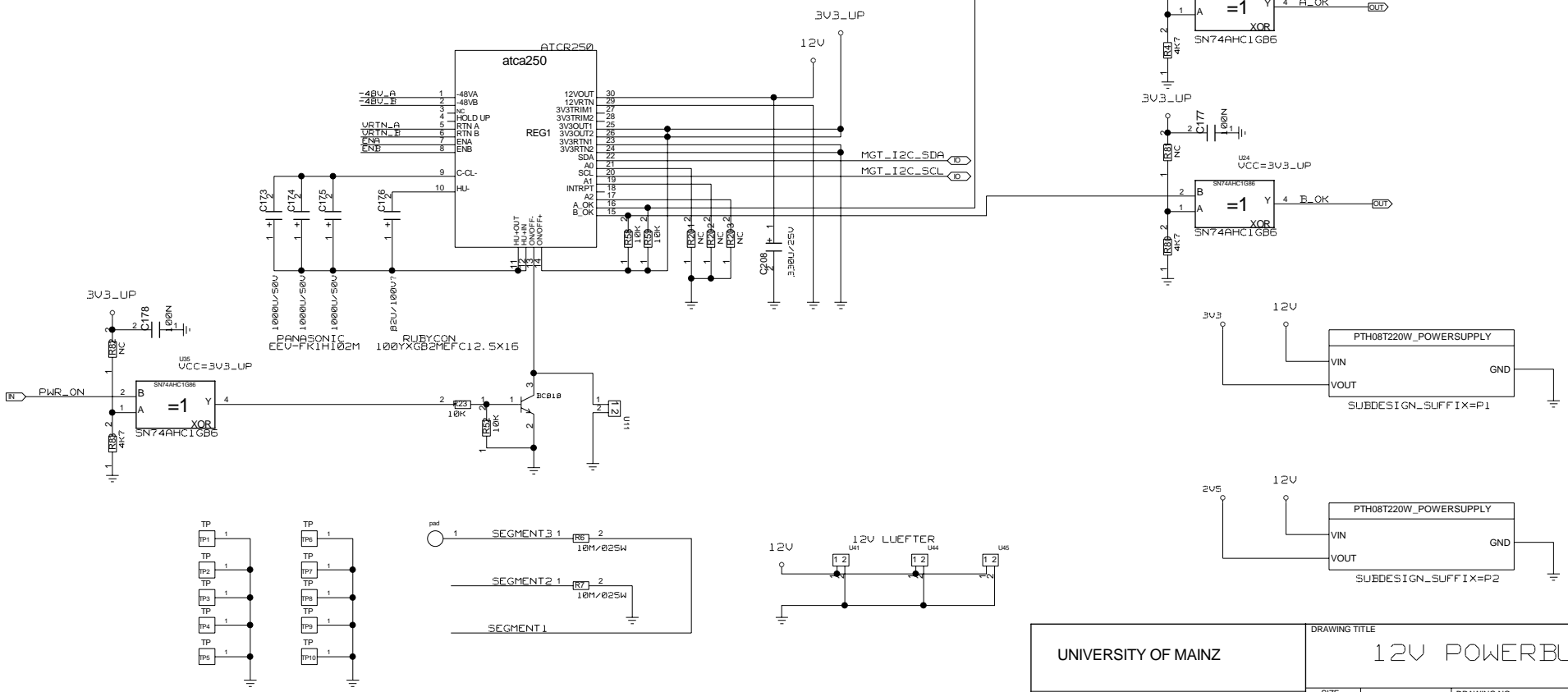


UNIVERSITY OF MAINZ		DRAWING TITLE	
		LUPECL_CLOCK	
SIZE	REV.	DRAWING NO.	
C			
SCALE		SHEET OF	

REVISIONS				
ZONE	LTR	DESCRIPTION	DATE	APPR.

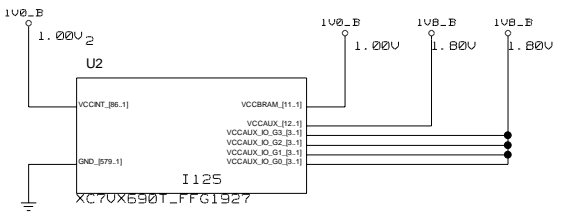
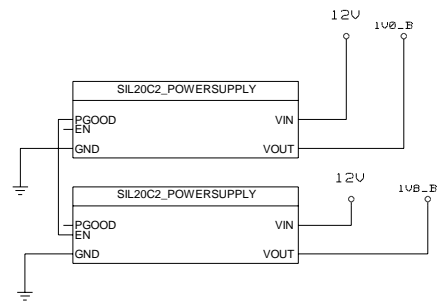
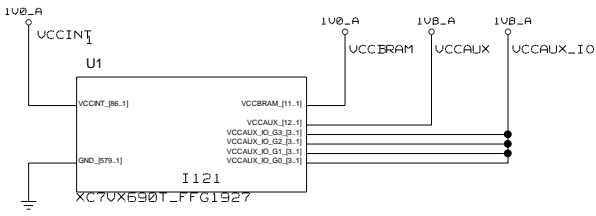
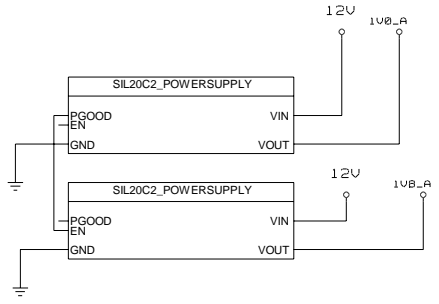


DC -48V INPUT

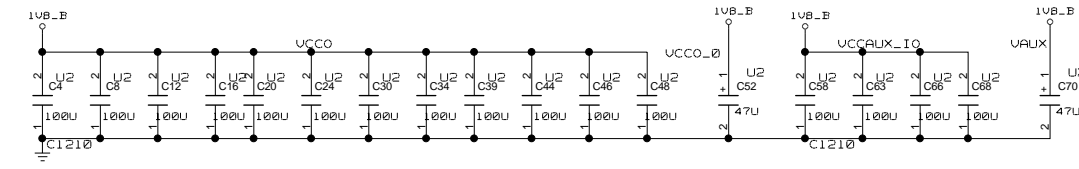
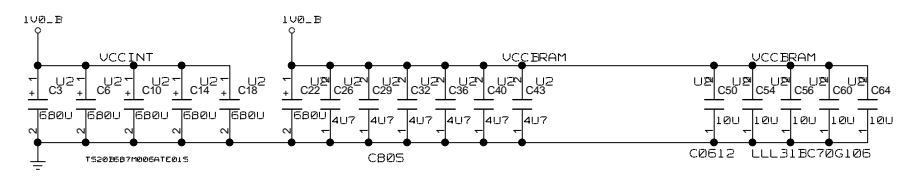
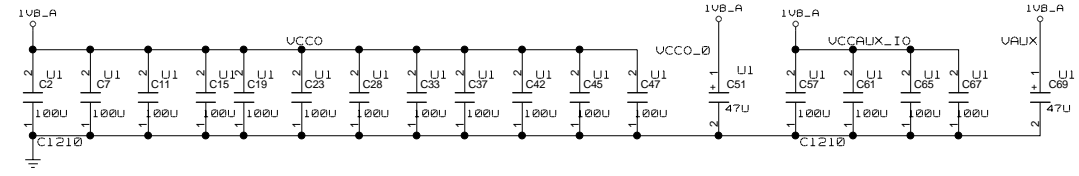
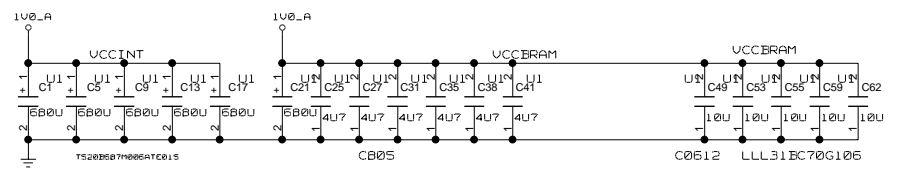


UNIVERSITY OF MAINZ		DRAWING TITLE		
BLOCK: POWERSUPPLY		12V POWERBUS		
SIZE	REV.	DRAWING NO.		SHEET OF
C				
SCALE				

REVISIONS				
ZONE	LTR	DESCRIPTION	DATE	APPR.

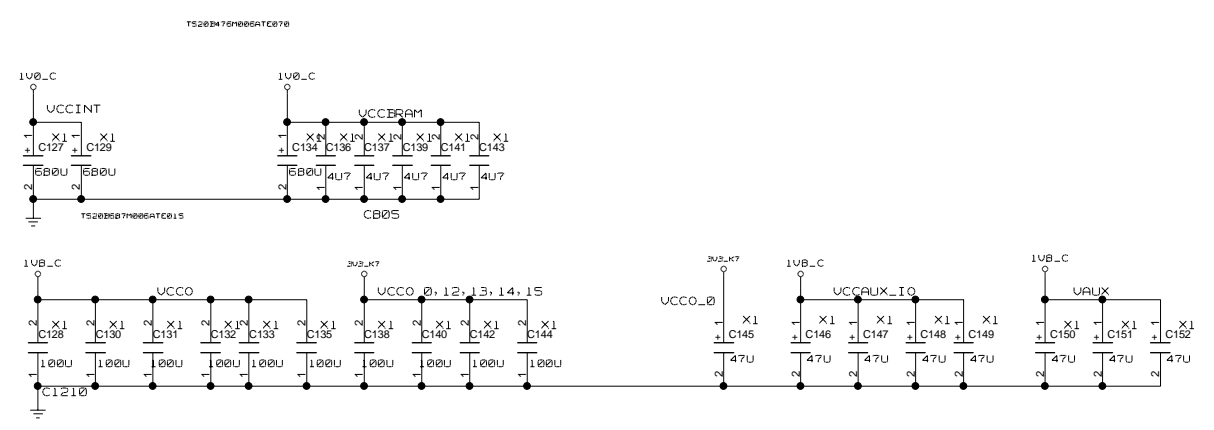
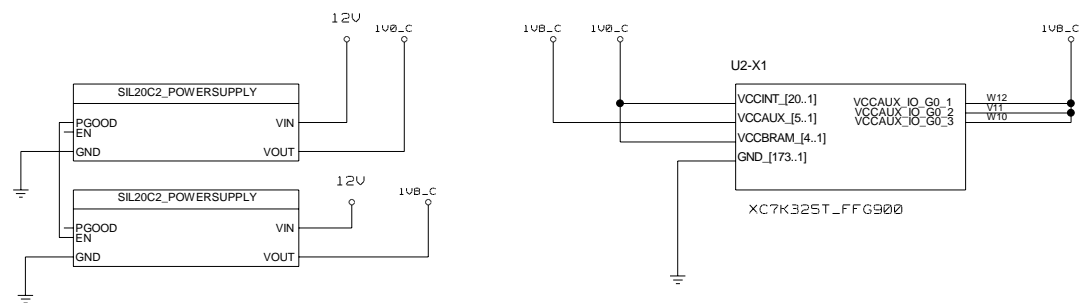


TS20B47H005ATC070



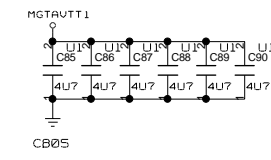
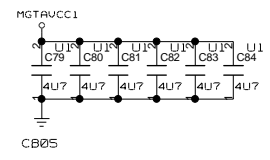
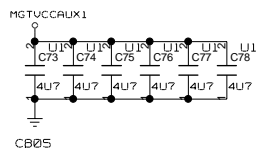
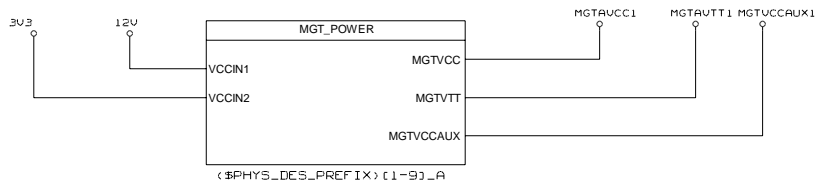
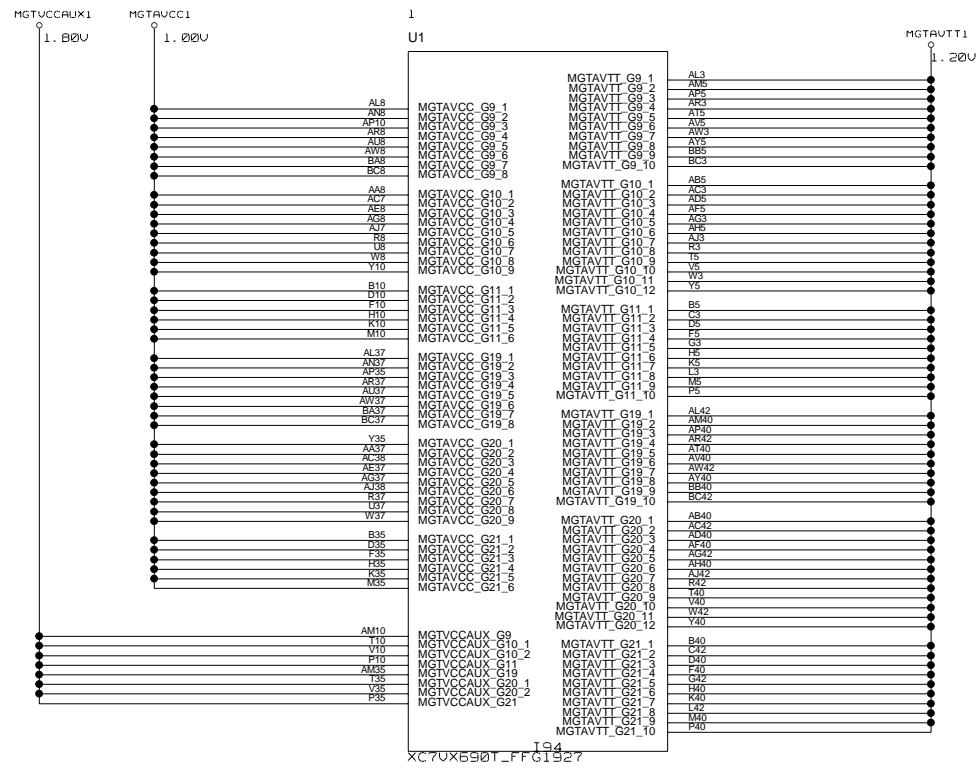
UNIVERSITY OF MAINZ		DRAWING TITLE	
BLOCK: POWERSUPPLY		POWER VIRTEx7	
SIZE	REV.	DRAWING NO.	
C			
SCALE		SHEET OF	

REVISIONS				
ZONE	LTR	DESCRIPTION	DATE	APPR.



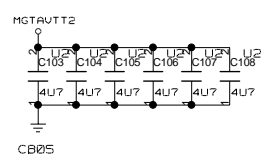
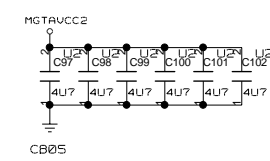
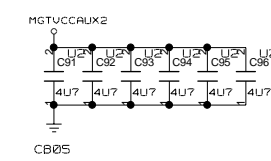
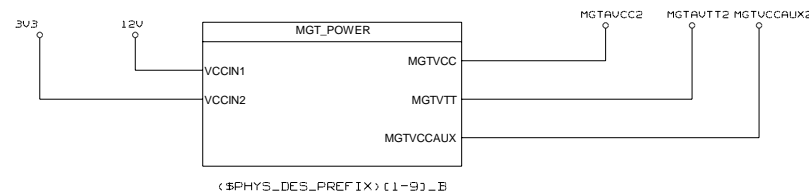
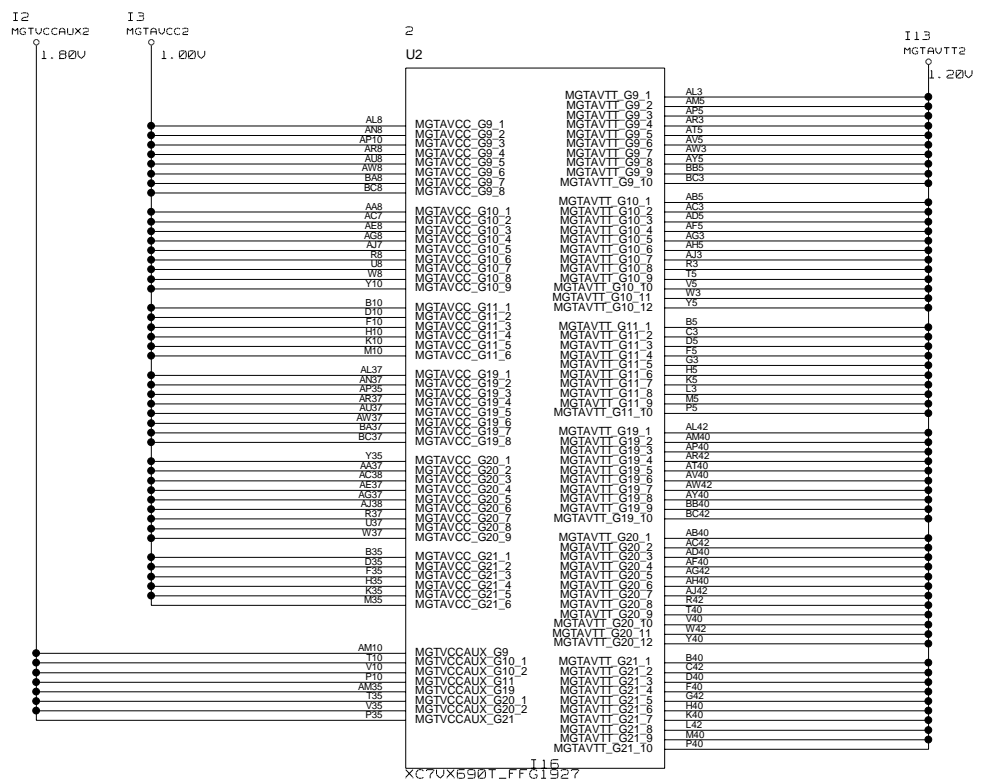
UNIVERSITY OF MAINZ		DRAWING TITLE		
BLOCK: POWERSUPPLY		POWER KINTEX7		
SIZE	REV.	DRAWING NO.		
C				
SCALE				SHEET OF

REVISIONS				
ZONE	LTR	DESCRIPTION	DATE	APPR.



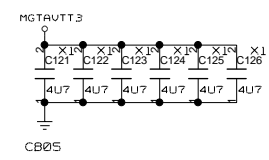
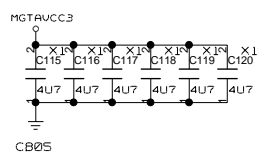
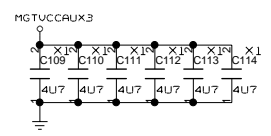
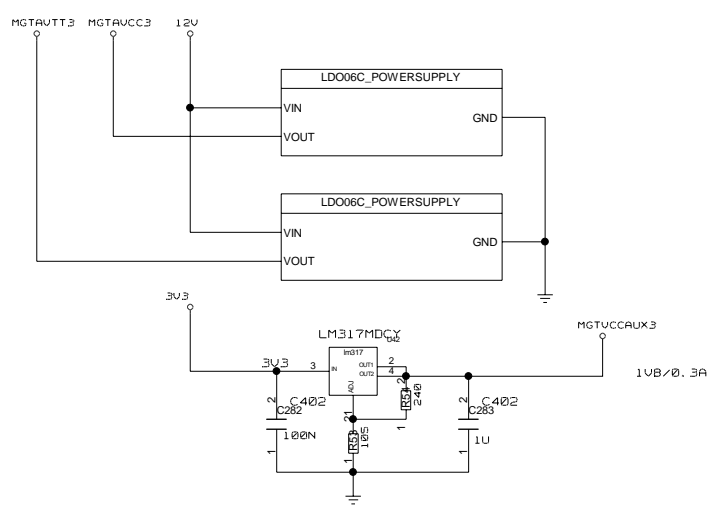
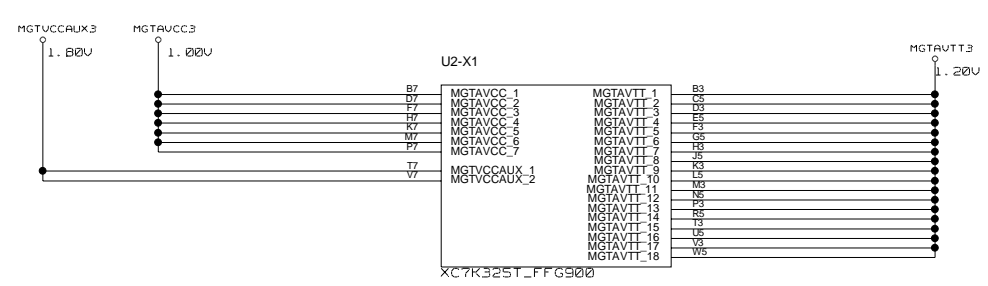
UNIVERSITY OF MAINZ		DRAWING TITLE	
BLOCK: POWERSUPPLY		VIRTEX7 MGT POWER	
SIZE	REV.	DRAWING NO.	
C			
SCALE		SHEET OF	

REVISIONS				
ZONE	LTR	DESCRIPTION	DATE	APPR.



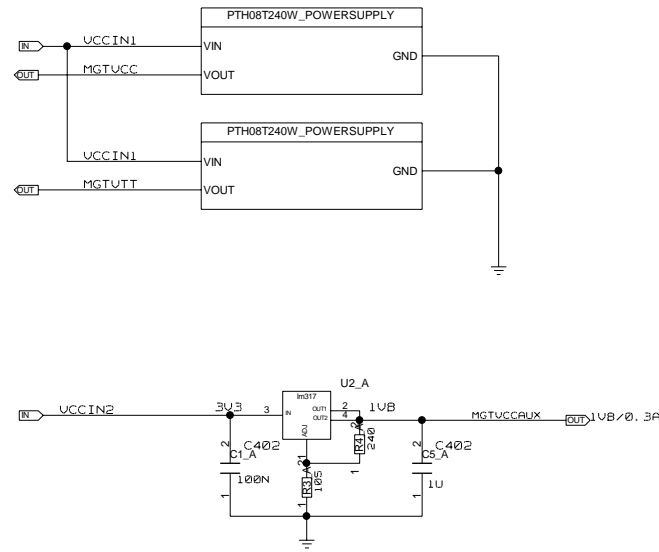
UNIVERSITY OF MAINZ		DRAWING TITLE	
BLOCK: POWERSUPPLY		VIRTEX7 MGT POWER	
SIZE	REV.	DRAWING NO.	
C			
SCALE			SHEET OF

REVISIONS				
ZONE	LTR	DESCRIPTION	DATE	APPR.



UNIVERSITY OF MAINZ		DRAWING TITLE	
BLOCK: POWERSUPPLY		KINTEX7 MGT POWER	
SIZE C	REV.	DRAWING NO.	
SCALE		SHEET OF	

REVISIONS				
ZONE	LTR	DESCRIPTION	DATE	APPR.



UNIVERSITY OF MAINZ		DRAWING TITLE	
BLOCK: POWERSUPPLY MGT_POWER		MGT POWER	
SIZE C	REV.	DRAWING NO.	
SCALE			SHEET OF

REVISIONS				
ZONE	LTR	DESCRIPTION	DATE	APPR.

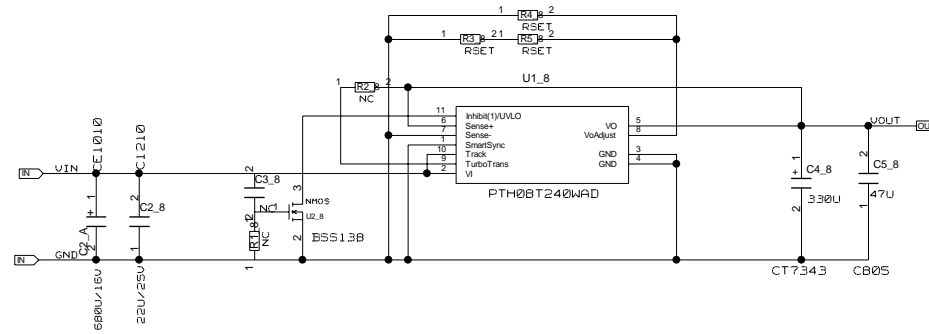


Table 2. Output Voltage Set-Point Resistor Values (Standard Values)

V _O Required (V)	R _{SET} (kΩ)	V _O Required (V)	R _{SET} (Ω)
0.70	681	2.50	2.37 k
0.75	113	2.60	2.15 k
0.80	61.9	2.70	2.00 k
0.85	41.2	2.80	1.82 k
0.80	31.6	2.90	1.69 k
0.85	24.9	3.00	1.54 k
1.00	20.5	3.10	1.43 k
1.05	17.8	3.20	1.33 k
1.10	15.4	3.30	1.21 k
1.15	13.3	3.40	1.10 k
1.20	12.1	3.50	1.02 k
1.25	10.7	3.60	931
1.30	9.88	3.70	866
1.35	9.09	3.80	787
1.40	8.25	3.90	715
1.45	7.68	4.00	649
1.50	6.98	4.10	590
1.55	6.19	4.20	536
1.60	6.04	4.30	475
1.65	5.78	4.40	432
1.70	5.36	4.50	383
1.75	5.11	4.60	332
1.80	4.75	4.70	287
1.85	4.53	4.80	249
1.90	4.22	4.90	210
1.95	4.02	5.00	169
2.00	3.83	5.10	133
2.10	3.40	5.20	100
2.20	3.09	5.30	65.5
2.30	2.87	5.40	34.8
2.40	2.61	5.50	4.99

(1) For output voltages ≤ 1.2V, at nominal operating frequency, the output ripple may increase (typically 2x) when operating at input voltages greater than (V_O × 11). When using the SmartSync feature, review the SmartSync application section for further guidance.
(2) For V_O > 3.6 V, the minimum input voltage is (V_O + 2) V.

UNIVERSITY OF MAINZ	DRAWING TITLE		
	PTH08T240W_POWER SUPPLY		
	SIZE	REV.	DRAWING NO.
C			
SCALE			SHEET OF

REVISIONS				
ZONE	LTR	DESCRIPTION	DATE	APPR.

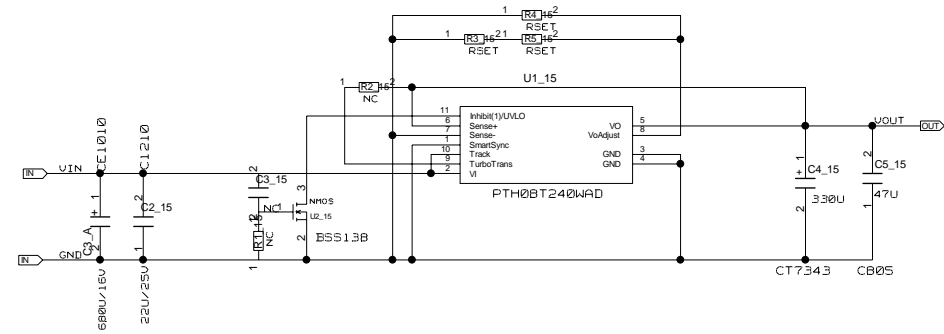


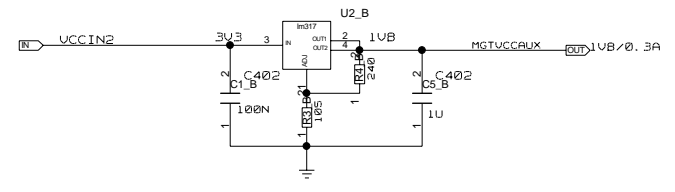
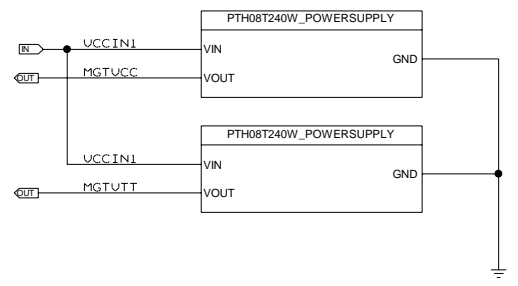
Table 2. Output Voltage Set-Point Resistor Values (Standard Values)

V _O Required (V)	R _{SET} (kΩ)	V _O Required (V)	R _{SET} (Ω)
0.70	681	2.50	2.37 k
0.75	113	2.60	2.15 k
0.80	61.9	2.70	2.00 k
0.85	41.2	2.80	1.82 k
0.80	31.6	2.90	1.69 k
0.85	24.9	3.00	1.54 k
1.00	20.5	3.10	1.43 k
1.05	17.8	3.20	1.33 k
1.10	15.4	3.30	1.21 k
1.15	13.3	3.40	1.10 k
1.20	12.1	3.50	1.02 k
1.25	10.7	3.60	931
1.30	9.88	3.70	866
1.35	9.09	3.80	787
1.40	8.25	3.90	715
1.45	7.68	4.00	649
1.50	6.98	4.10	590
1.55	6.19	4.20	536
1.60	6.04	4.30	475
1.65	5.78	4.40	432
1.70	5.36	4.50	383
1.75	5.11	4.60	332
1.80	4.75	4.70	287
1.85	4.53	4.80	249
1.90	4.22	4.90	210
1.95	4.02	5.00	169
2.00	3.83	5.10	133
2.10	3.40	5.20	100
2.20	3.09	5.30	65.5
2.30	2.87	5.40	34.8
2.40	2.61	5.50	4.99

(1) For output voltages ≤ 1.2V, at nominal operating frequency, the output ripple may increase (typically 2x) when operating at input voltages greater than (V_O × 11). When using the SmartSync feature, review the SmartSync application section for further guidance.
(2) For V_O > 3.6 V, the minimum input voltage is (V_O + 2) V.

UNIVERSITY OF MAINZ	DRAWING TITLE	
	PTH08T240W_POWER SUPPLY	
SIZE	REV.	DRAWING NO.
C		
SCALE		SHEET OF

REVISIONS				
ZONE	LTR	DESCRIPTION	DATE	APPR.



UNIVERSITY OF MAINZ		DRAWING TITLE		
BLOCK: POWERSUPPLY MGT_POWER		MGT POWER		
SIZE C	REV.	DRAWING NO.		
SCALE			SHEET OF	

REVISIONS				
ZONE	LTR	DESCRIPTION	DATE	APPR.

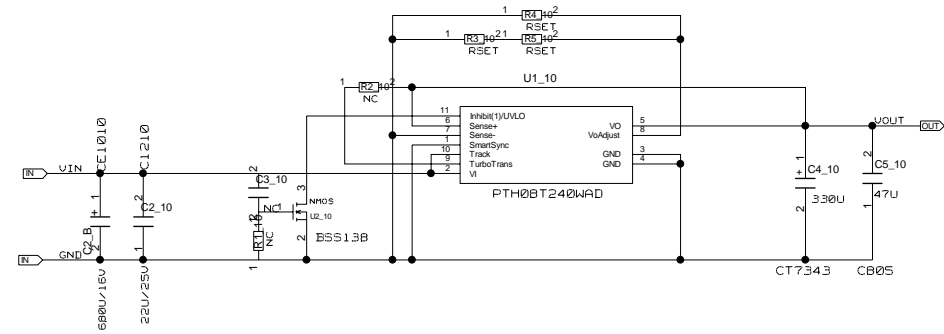


Table 2. Output Voltage Set-Point Resistor Values (Standard Values)

V _O Required (V)	R _{SET} (kΩ)	V _O Required (V)	R _{SET} (Ω)
0.70	681	2.50	2.37 k
0.75	113	2.60	2.15 k
0.80	61.9	2.70	2.00 k
0.85	41.2	2.80	1.82 k
0.80	31.6	2.90	1.69 k
0.85	24.9	3.00	1.54 k
1.00	20.5	3.10	1.43 k
1.05	17.8	3.20	1.33 k
1.10	15.4	3.30	1.21 k
1.15	13.3	3.40	1.10 k
1.20	12.1	3.50	1.02 k
1.25	10.7	3.60	931
1.30	9.88	3.70	866
1.35	9.09	3.80	787
1.40	8.25	3.90	715
1.45	7.68	4.00	649
1.50	6.98	4.10	590
1.55	6.19	4.20	536
1.60	6.04	4.30	475
1.65	5.78	4.40	432
1.70	5.36	4.50	383
1.75	5.11	4.60	332
1.80	4.75	4.70	287
1.85	4.53	4.80	249
1.90	4.22	4.90	210
1.95	4.02	5.00	169
2.00	3.83	5.10	133
2.10	3.40	5.20	100
2.20	3.09	5.30	65.5
2.30	2.87	5.40	34.8
2.40	2.61	5.50	4.99

(1) For output voltages ≤ 1.2V, at nominal operating frequency, the output ripple may increase (typically 2x) when operating at input voltages greater than (V_O × 11). When using the SmartSync feature, review the SmartSync application section for further guidance.
(2) For V_O > 3.6 V, the minimum input voltage is (V_O + 2) V.

UNIVERSITY OF MAINZ		DRAWING TITLE	
		PTH08T240W_POWER SUPPLY	
SIZE	REV.	DRAWING NO.	
C			
SCALE		SHEET OF	

REVISIONS				
ZONE	LTR	DESCRIPTION	DATE	APPR.

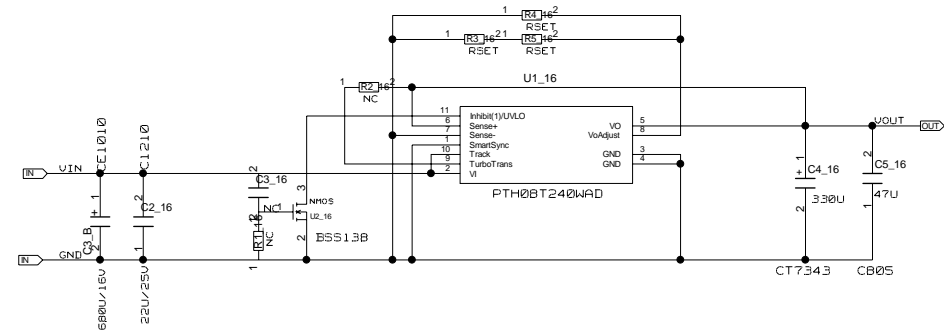


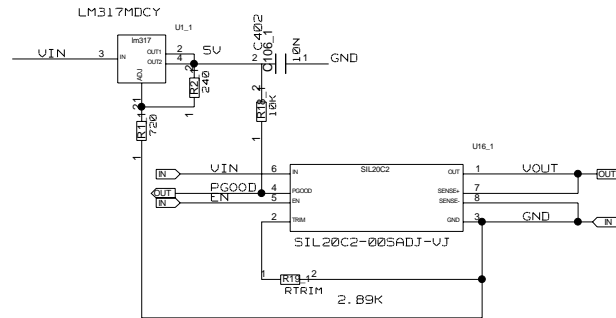
Table 2. Output Voltage Set-Point Resistor Values (Standard Values)

V _O Required (V)	R _{SET} (kΩ)	V _O Required (V)	R _{SET} (Ω)
0.70	681	2.50	2.37 k
0.75	113	2.60	2.15 k
0.80	61.9	2.70	2.00 k
0.85	41.2	2.80	1.82 k
0.80	31.6	2.90	1.69 k
0.85	24.9	3.00	1.54 k
1.00	20.5	3.10	1.43 k
1.05	17.8	3.20	1.33 k
1.10	15.4	3.30	1.21 k
1.15	13.3	3.40	1.10 k
1.20	12.1	3.50	1.02 k
1.25	10.7	3.60	931
1.30	9.88	3.70	866
1.35	9.09	3.80	787
1.40	8.25	3.90	715
1.45	7.68	4.00	649
1.50	6.98	4.10	590
1.55	6.19	4.20	536
1.60	6.04	4.30	475
1.65	5.78	4.40	432
1.70	5.36	4.50	383
1.75	5.11	4.60	332
1.80	4.75	4.70	287
1.85	4.53	4.80	249
1.90	4.22	4.90	210
1.95	4.02	5.00	169
2.00	3.83	5.10	133
2.10	3.40	5.20	100
2.20	3.09	5.30	65.5
2.30	2.87	5.40	34.8
2.40	2.61	5.50	4.99

(1) For output voltages ≤ 1.2V, at nominal operating frequency, the output ripple may increase (typically 2x) when operating at input voltages greater than (V_O × 11). When using the SmartSync feature, review the SmartSync application section for further guidance.
(2) For V_O > 3.6 V, the minimum input voltage is (V_O + 2) V.

UNIVERSITY OF MAINZ		DRAWING TITLE	
		PTH08T240W_POWER SUPPLY	
SIZE	REV.	DRAWING NO.	
C			
SCALE		SHEET OF	

REVISIONS				
ZONE	LTR	DESCRIPTION	DATE	APPR.

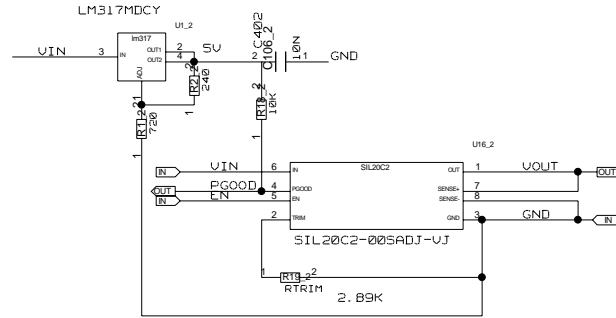


The resistor trim equation for the SIL20C2 is as follows:

$$R_{trim} \text{ (k}\Omega\text{)} = \frac{1.182}{(V_{out} - 0.591)}$$

DRAWING TITLE		UNIVERSITY OF MAINZ	
SIL20C2_POWER SUPPLY			
SIZE C	REV.	DRAWING NO.	
SCALE		SHEET OF	

REVISIONS				
ZONE	LTR	DESCRIPTION	DATE	APPR.

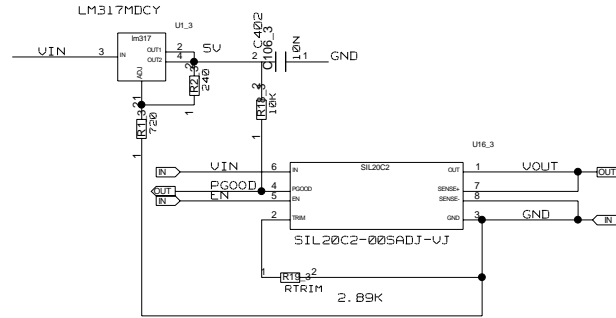


The resistor trim equation for the SIL20C2 is as follows:

$$R_{trim} \text{ (k}\Omega\text{)} = \frac{1.182}{(V_{out} - 0.591)}$$

UNIVERSITY OF MAINZ		DRAWING TITLE SIL20C2_POWER SUPPLY	
SIZE C	REV.	DRAWING NO.	
SCALE			SHEET OF

REVISIONS				
ZONE	LTR	DESCRIPTION	DATE	APPR.

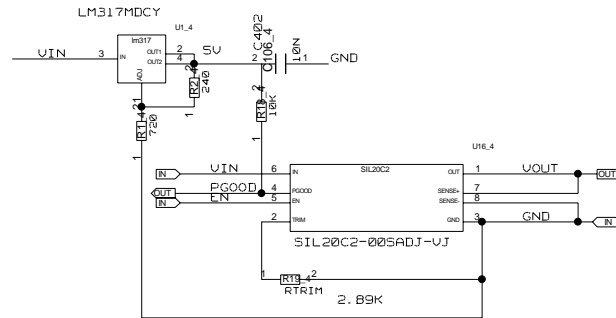


The resistor trim equation for the SIL20C2 is as follows:

$$R_{trim} \text{ (k}\Omega\text{)} = \frac{1.182}{(V_{out} - 0.591)}$$

UNIVERSITY OF MAINZ		DRAWING TITLE SIL20C2_POWERSUPPLY	
SIZE C	REV.	DRAWING NO.	
SCALE		SHEET OF	

REVISIONS				
ZONE	LTR	DESCRIPTION	DATE	APPR.

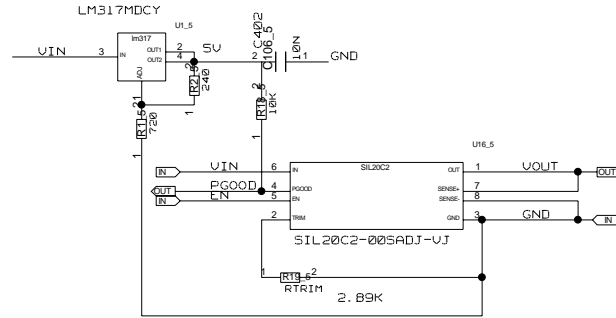


The resistor trim equation for the SIL20C2 is as follows:

$$R_{trim} \text{ (k}\Omega\text{)} = \frac{1.182}{(V_{out} - 0.591)}$$

DRAWING TITLE		UNIVERSITY OF MAINZ	
SIL20C2_POWERSUPPLY			
SIZE C	REV.	DRAWING NO.	
SCALE		SHEET OF	

REVISIONS				
ZONE	LTR	DESCRIPTION	DATE	APPR.

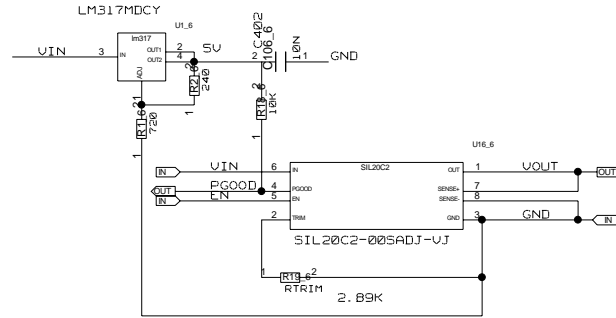


The resistor trim equation for the SIL20C2 is as follows:

$$R_{trim} \text{ (k}\Omega\text{)} = \frac{1.182}{(V_{out} - 0.591)}$$

UNIVERSITY OF MAINZ		DRAWING TITLE SIL20C2_POWERSUPPLY	
SIZE C	REV.	DRAWING NO.	
SCALE		SHEET OF	

REVISIONS				
ZONE	LTR	DESCRIPTION	DATE	APPR.

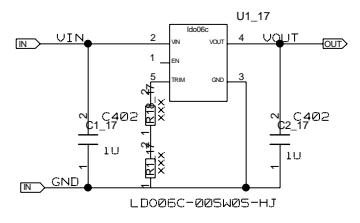


The resistor trim equation for the SIL20C2 is as follows:

$$R_{trim} \text{ (k}\Omega\text{)} = \frac{1.182}{(V_{out} - 0.591)}$$

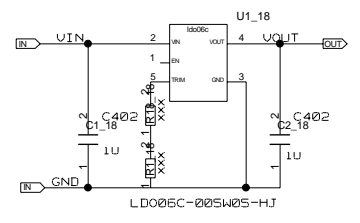
DRAWING TITLE		UNIVERSITY OF MAINZ	
SIZE		SIL20C2_POWER SUPPLY	
C	REV.	DRAWING NO.	
SCALE		SHEET OF	

REVISIONS				
ZONE	LTR	DESCRIPTION	DATE	APPR.



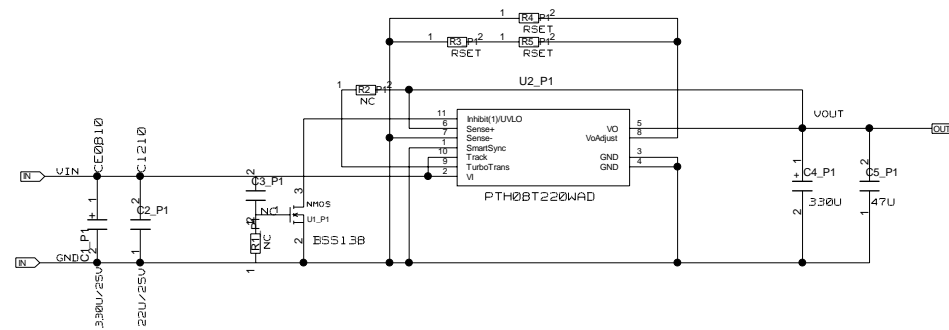
UNIVERSITY OF MAINZ		DRAWING TITLE	
		LD006C_POWER SUPPLY	
SIZE	REV.	DRAWING NO.	
C			
SCALE		SHEET OF	

REVISIONS				
ZONE	LTR	DESCRIPTION	DATE	APPR.



UNIVERSITY OF MAINZ		DRAWING TITLE	
		LD006C_POWERSUPPLY	
SIZE	REV.	DRAWING NO.	
C			
SCALE		SHEET OF	

REVISIONS				
ZONE	LTR	DESCRIPTION	DATE	APPR.



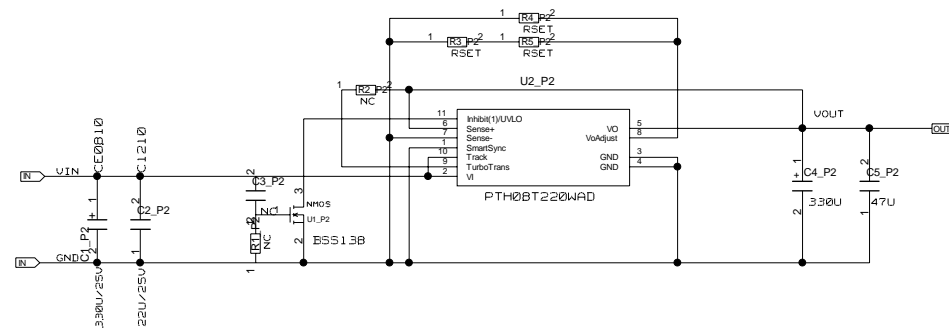
$$R_{SET} = 10 \text{ k}\Omega \times \frac{0.69}{V_O - 0.69} = 1.43 \text{ k}\Omega$$

Table 1. Standard Values of R_{SET} for Standard Output Voltages

V_O (Standard)	R_{SET} (Standard Value)	V_O (Actual)
5.0 V ⁽¹⁾	169 Ω	5.005 V
3.3 V	1.21 k Ω	3.304 V
2.5 V	2.37 k Ω	2.506 V
1.8 V	4.75 k Ω	1.807 V
1.5 V	6.98 k Ω	1.510 V
1.2 V ⁽²⁾	12.1 k Ω	1.200 V
1.0 V ⁽²⁾	20.5 k Ω	1.004 V
0.7 V ⁽²⁾	681 k Ω	0.700 V

UNIVERSITY OF MAINZ	DRAWING TITLE	
	PTH08T220W_POWER SUPPLY	
	SIZE C	REV.
SCALE	DRAWING NO.	SHEET OF

REVISIONS				
ZONE	LTR	DESCRIPTION	DATE	APPR.



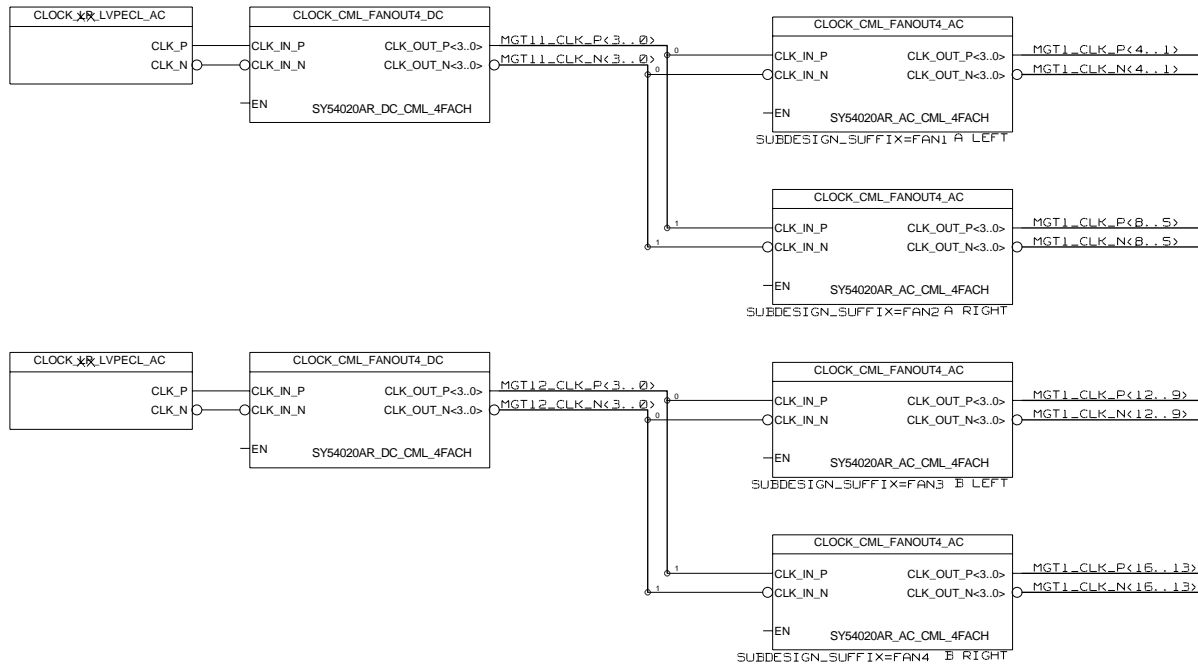
$$R_{SET} = 10 \text{ k}\Omega \times \frac{0.69}{V_O - 0.69} - 1.43 \text{ k}\Omega$$

Table 1. Standard Values of R_{SET} for Standard Output Voltages

V _O (Standard)	R _{SET} (Standard Value)	V _O (Actual)
5.0 V ⁽¹⁾	169 Ω	5.005 V
3.3 V	1.21 kΩ	3.304 V
2.5 V	2.37 kΩ	2.506 V
1.8 V	4.75 kΩ	1.807 V
1.5 V	6.98 kΩ	1.510 V
1.2 V ⁽²⁾	12.1 kΩ	1.200 V
1.0 V ⁽²⁾	20.5 kΩ	1.004 V
0.7 V ⁽²⁾	681 kΩ	0.700 V

UNIVERSITY OF MAINZ	DRAWING TITLE	
	PTH08T220W_POWER SUPPLY	
SIZE C	REV.	DRAWING NO.
SCALE	SHEET OF	

REVISIONS				
ZONE	LTR	DESCRIPTION	DATE	APPR.



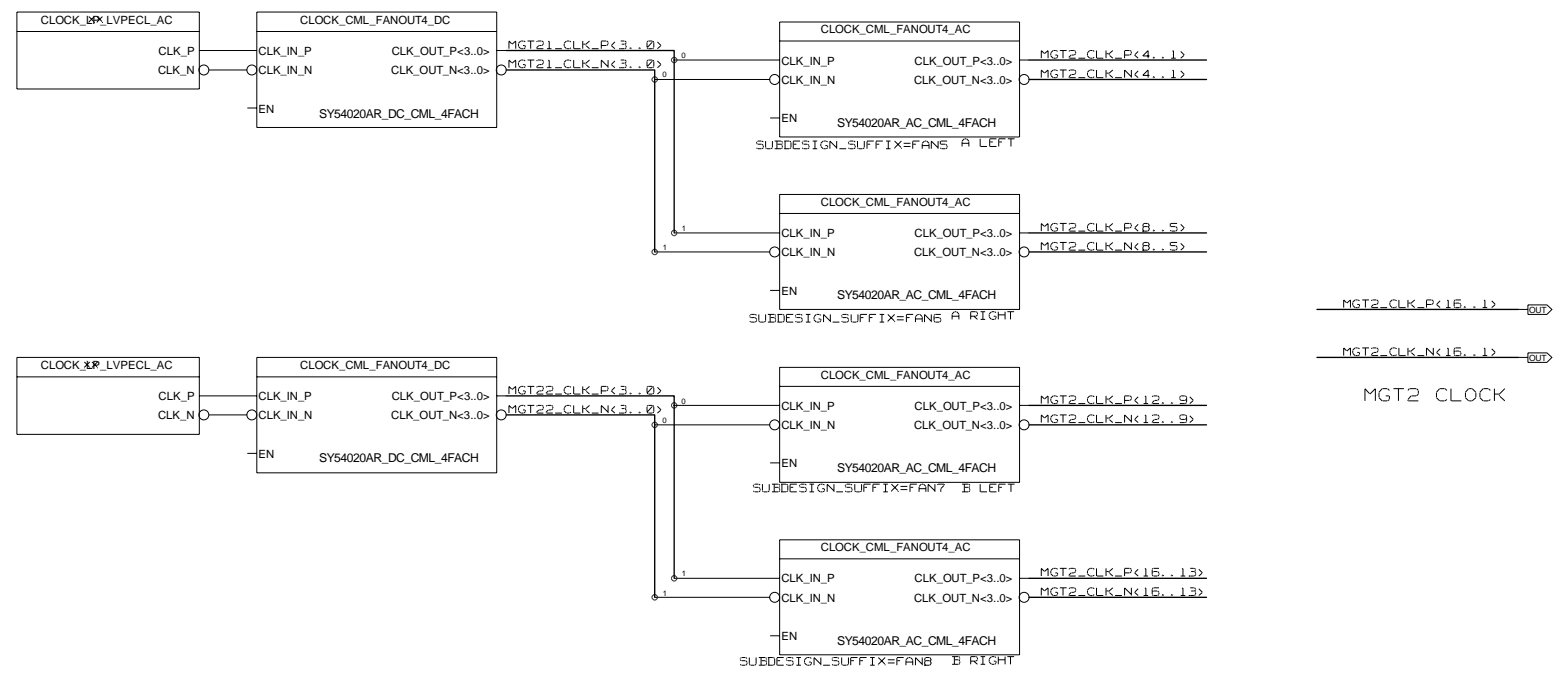
MGT1_CLK_P<15..1> OUT

MGT1_CLK_N<15..1> OUT

MGT1 CLOCK

UNIVERSITY OF MAINZ		DRAWING TITLE	
BLOCK: CLOCK		MGT1 CLOCK CML	
SIZE	REV.	DRAWING NO.	
C			
SCALE		SHEET OF	

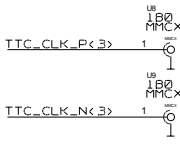
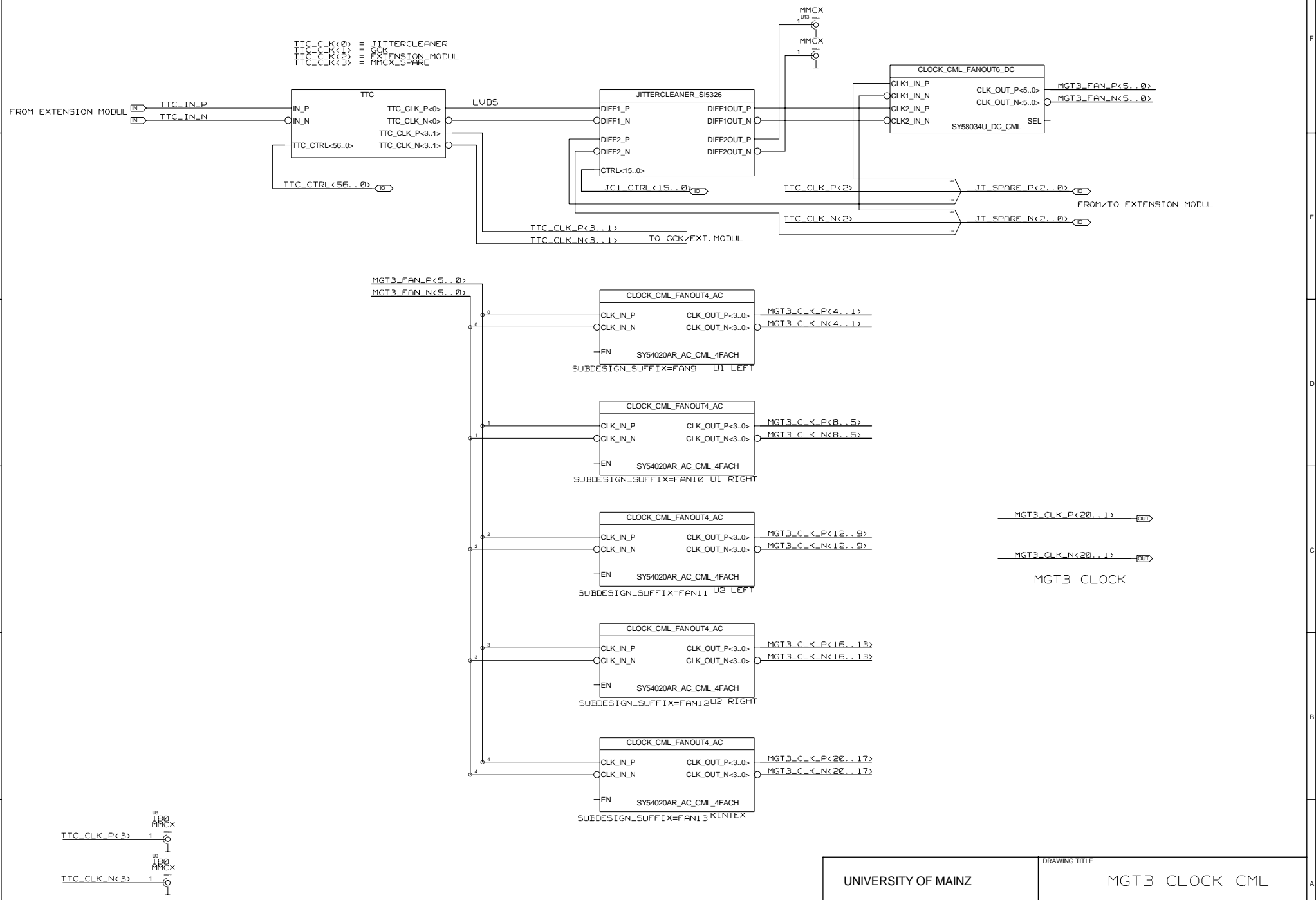
REVISIONS				
ZONE	LTR	DESCRIPTION	DATE	APPR.



MGT2 CLOCK

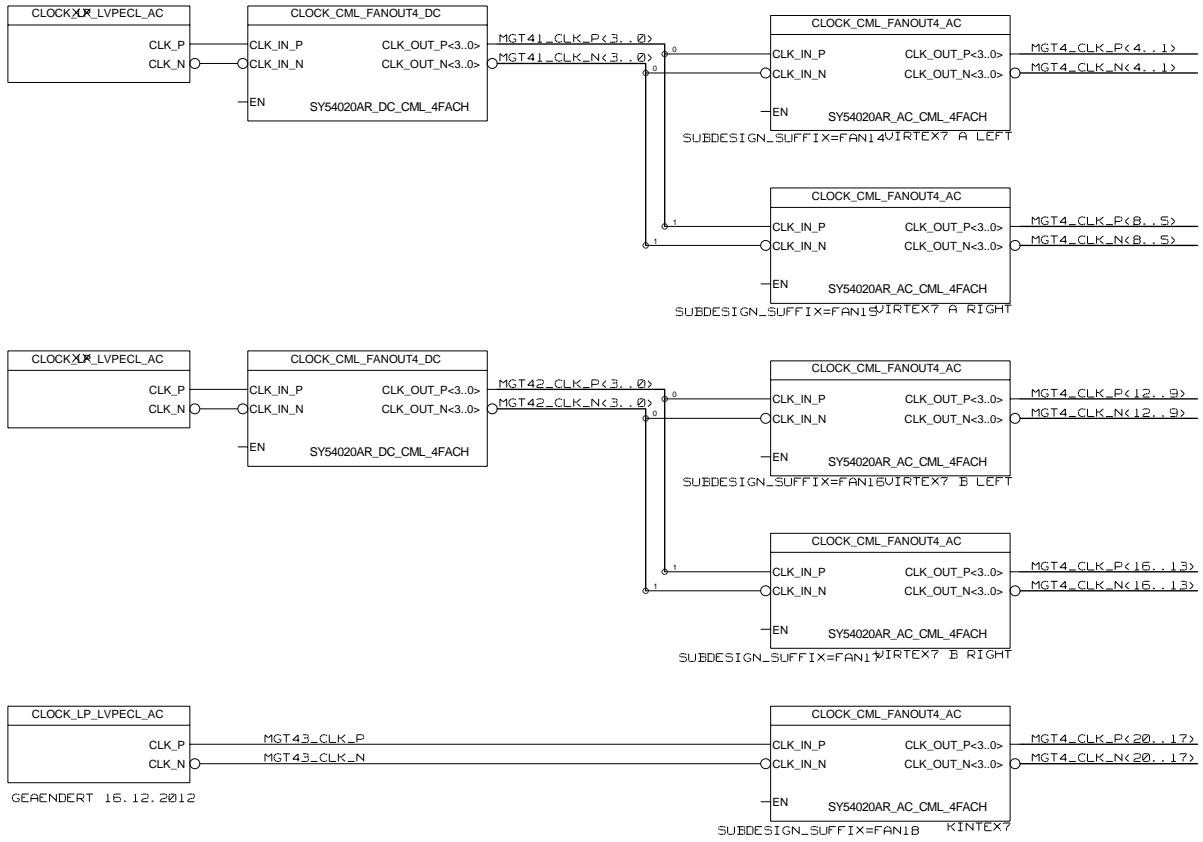
UNIVERSITY OF MAINZ		DRAWING TITLE	
BLOCK: CLOCK		MGT2 CLOCK CML	
SIZE	REV.	DRAWING NO.	
C			
SCALE		SHEET OF	

REVISIONS				
ZONE	LTR	DESCRIPTION	DATE	APPR.



UNIVERSITY OF MAINZ		DRAWING TITLE	
BLOCK: CLOCK		MGT3 CLOCK CML	
SIZE	REV.	DRAWING NO.	
C			
SCALE			SHEET OF

REVISIONS				
ZONE	LTR	DESCRIPTION	DATE	APPR.



MGT4_CLK_P<20..1> [OUT]

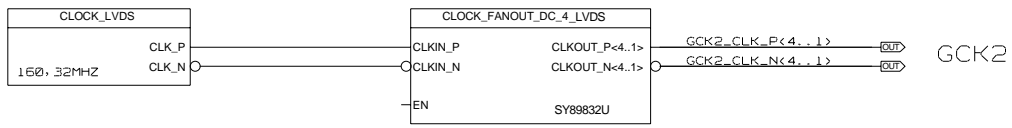
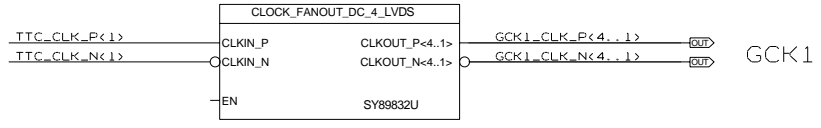
MGT4_CLK_N<20..1> [OUT]

MGT4 CLOCK

GEAENDERT 15.12.2012

UNIVERSITY OF MAINZ		DRAWING TITLE	
BLOCK: CLOCK		MGT4 CLOCK CML	
SIZE	REV.	DRAWING NO.	
C			
SCALE		SHEET OF	

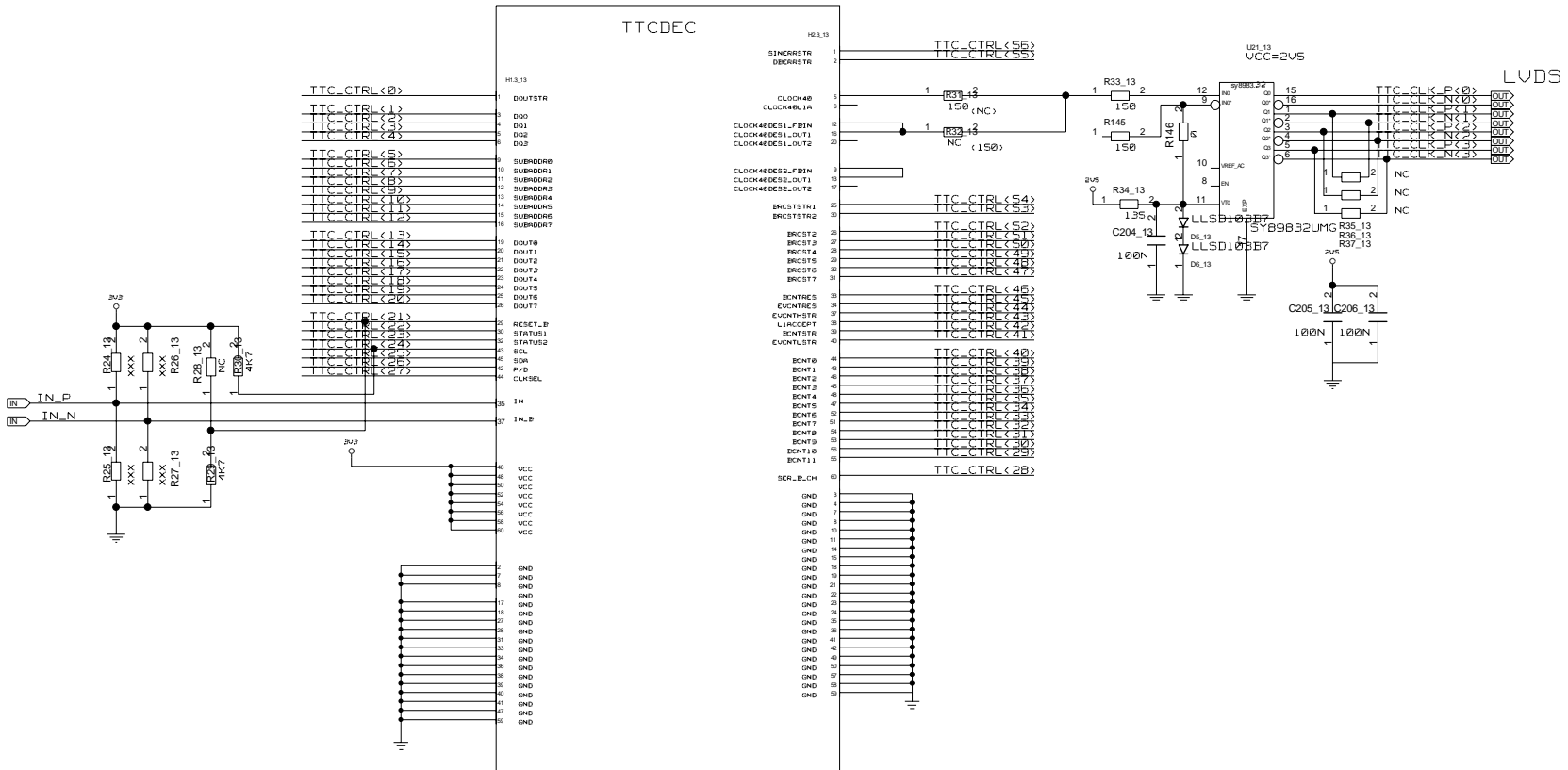
REVISIONS				
ZONE	LTR	DESCRIPTION	DATE	APPR.



UNIVERSITY OF MAINZ		DRAWING TITLE	
BLOCK: CLOCK		GCK1+2 CLOCK LVDS	
SIZE C	REV.	DRAWING NO.	
SCALE		SHEET OF	

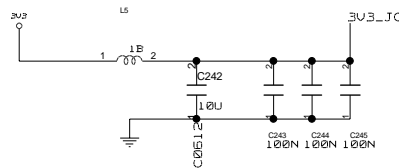
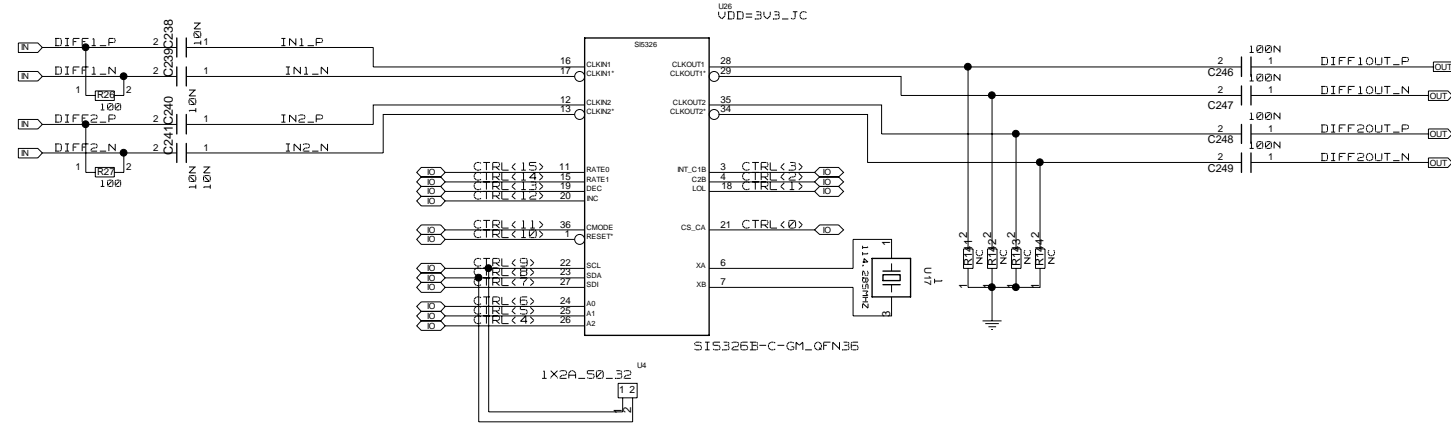
REVISIONS				
ZONE	LTR	DESCRIPTION	DATE	APPR.

TTC_CTRL<56..0>



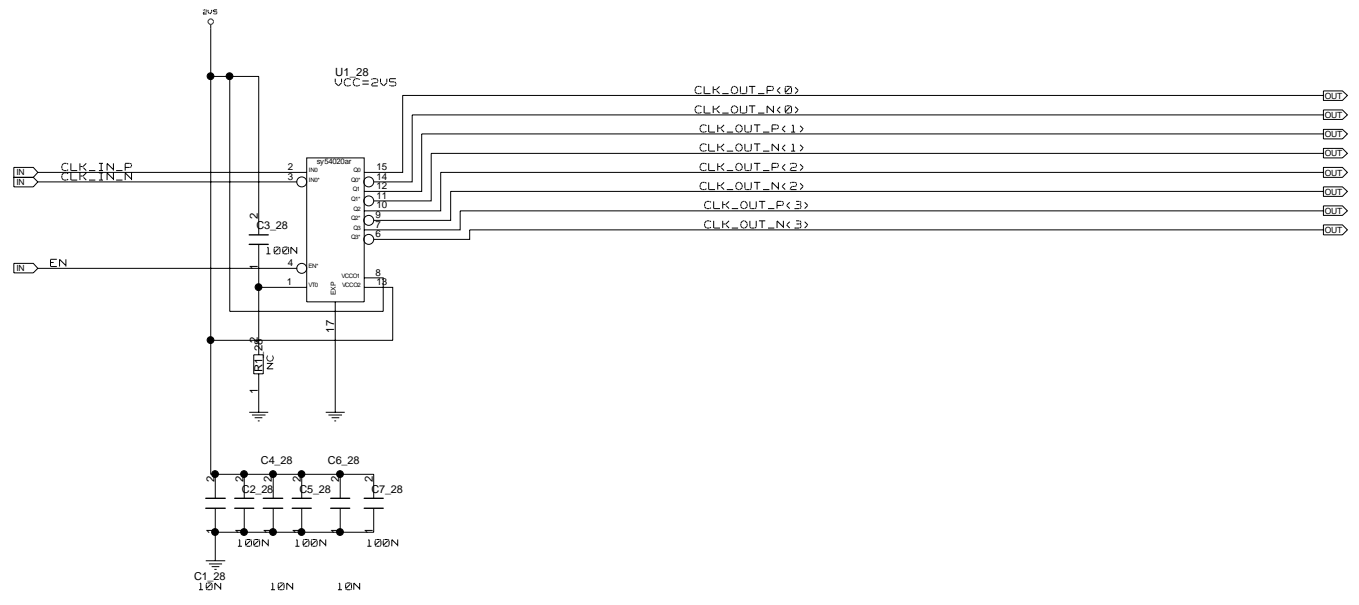
UNIVERSITY OF MAINZ		DRAWING TITLE	
		TTC	
SIZE	REV.	DRAWING NO.	
C			
SCALE			SHEET OF

REVISIONS				
ZONE	LTR	DESCRIPTION	DATE	APPR.



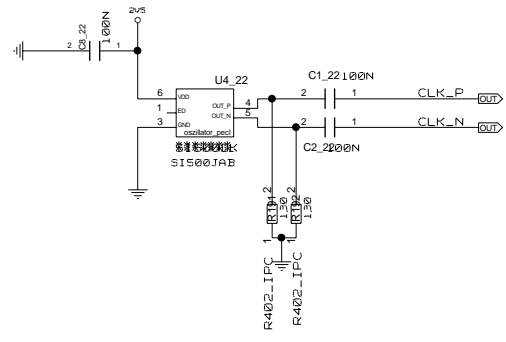
UNIVERSITY OF MAINZ		DRAWING TITLE	
		JITTERCLEANER_SI5326	
SIZE	REV.	DRAWING NO.	
C			
SCALE		SHEET OF	

REVISIONS				
ZONE	LTR	DESCRIPTION	DATE	APPR.



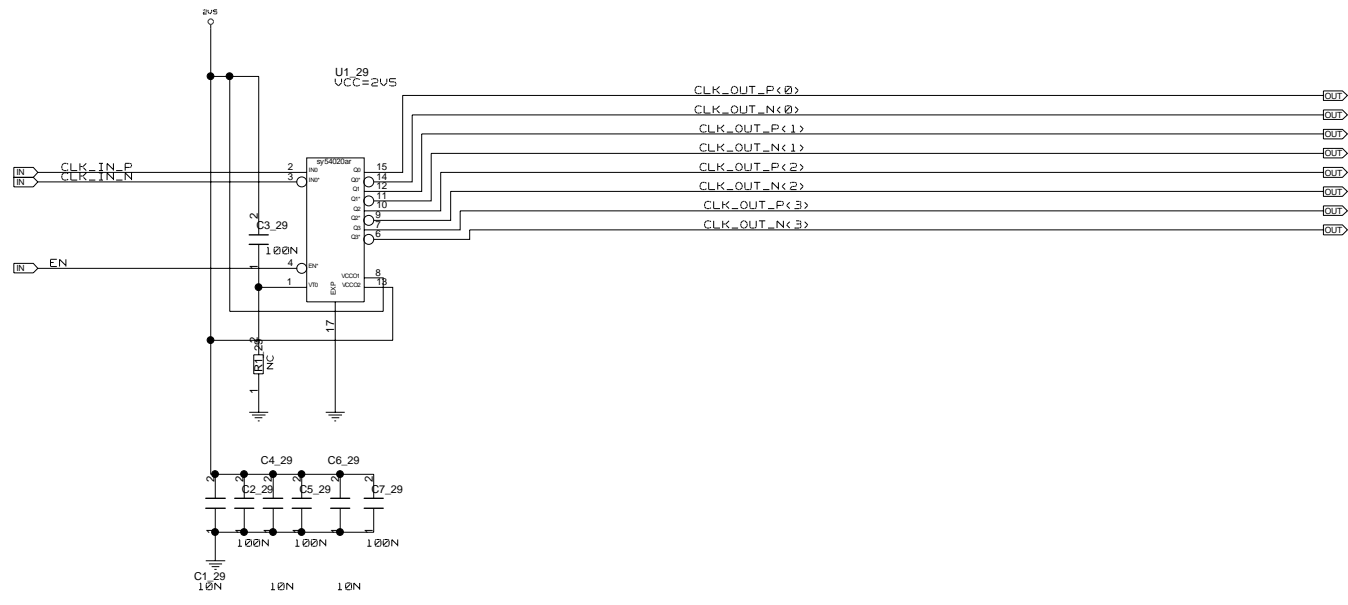
UNIVERSITY OF MAINZ		DRAWING TITLE	
		CLOCK_CML_FANOUT4_DC	
SIZE	REV.	DRAWING NO.	
C			
SCALE		SHEET OF	

REVISIONS				
ZONE	LTR	DESCRIPTION	DATE	APPR.



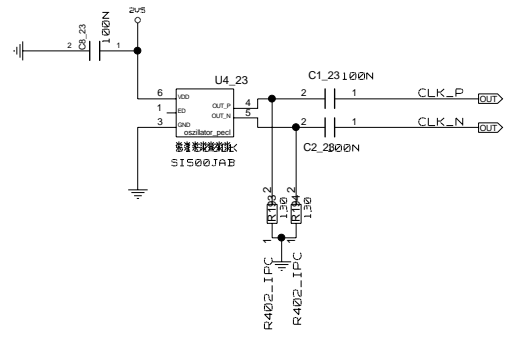
UNIVERSITY OF MAINZ		DRAWING TITLE	
		CLOCK_LP_LVPECL_AC	
SIZE	REV.	DRAWING NO.	
C			
SCALE		SHEET OF	

REVISIONS				
ZONE	LTR	DESCRIPTION	DATE	APPR.



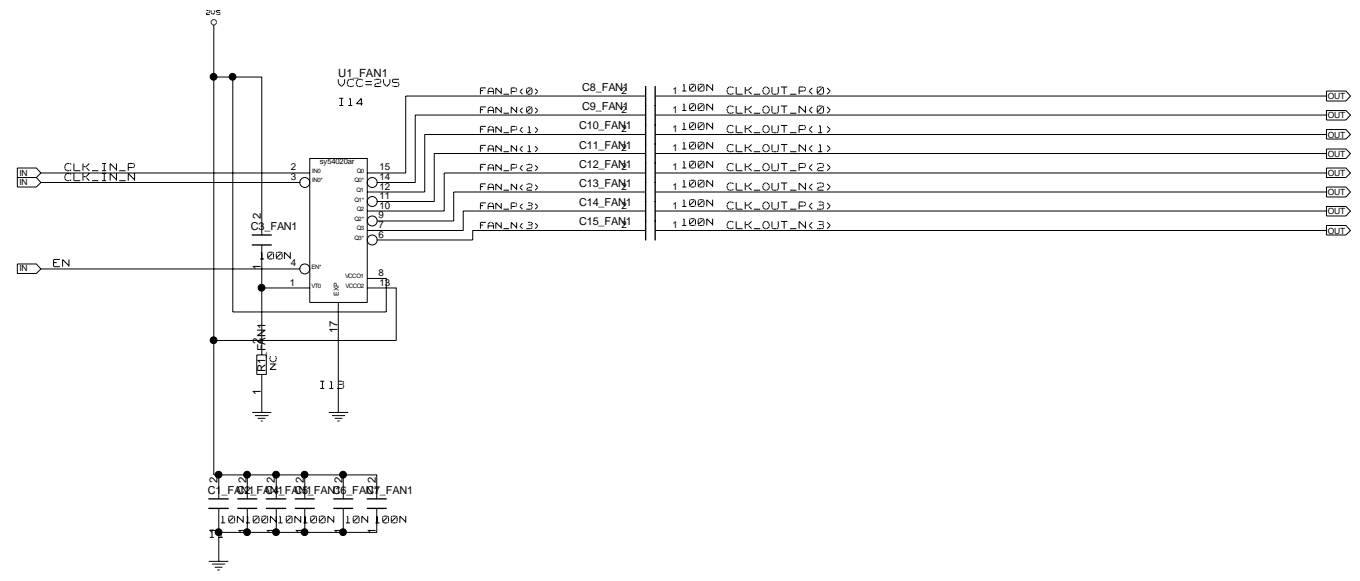
UNIVERSITY OF MAINZ		DRAWING TITLE	
		CLOCK_CML_FANOUT4_DC	
SIZE	REV.	DRAWING NO.	
C			
SCALE		SHEET OF	

REVISIONS				
ZONE	LTR	DESCRIPTION	DATE	APPR.



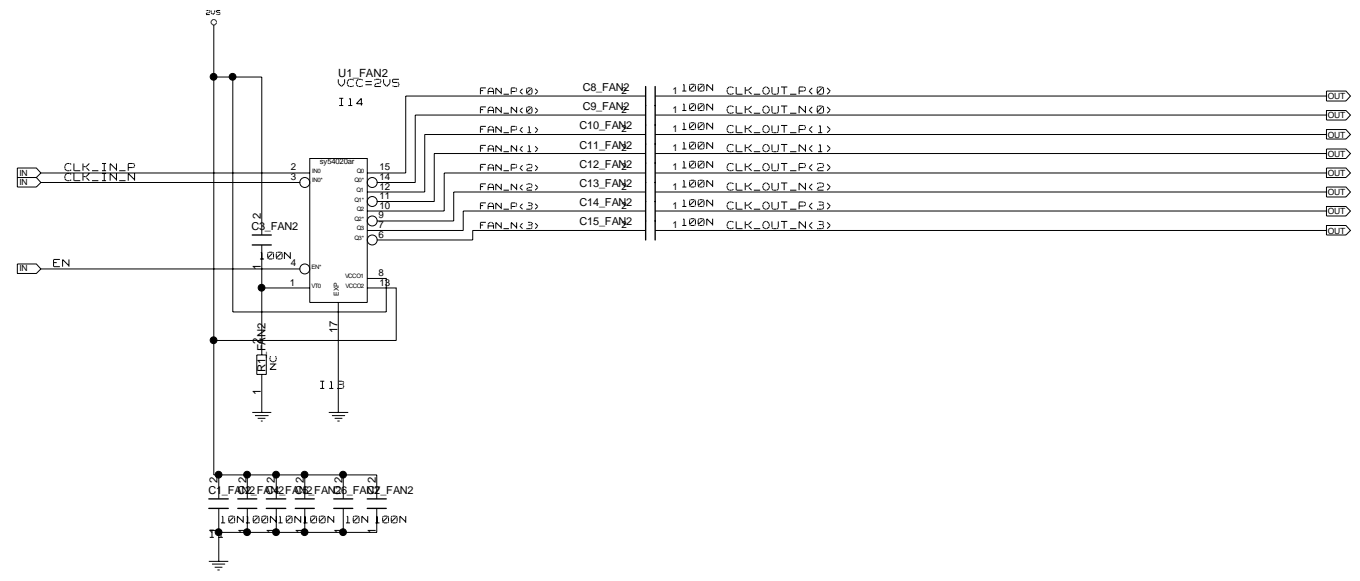
UNIVERSITY OF MAINZ		DRAWING TITLE		
		CLOCK_LP_LVPECL_AC		
SIZE	REV.	DRAWING NO.		
C				
SCALE				SHEET OF
				1

REVISIONS				
ZONE	LTR	DESCRIPTION	DATE	APPR.



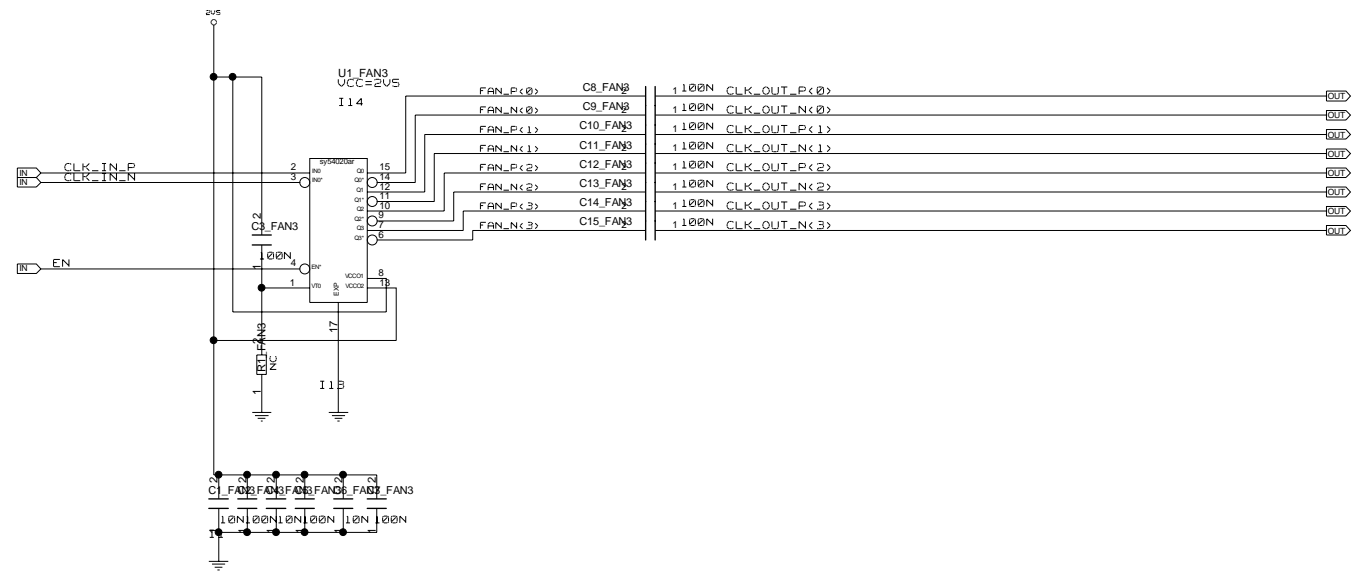
UNIVERSITY OF MAINZ		DRAWING TITLE	
		CLOCK_CML_FANOUT4_AC	
SIZE	REV.	DRAWING NO.	
C			
SCALE		SHEET OF	

REVISIONS				
ZONE	LTR	DESCRIPTION	DATE	APPR.



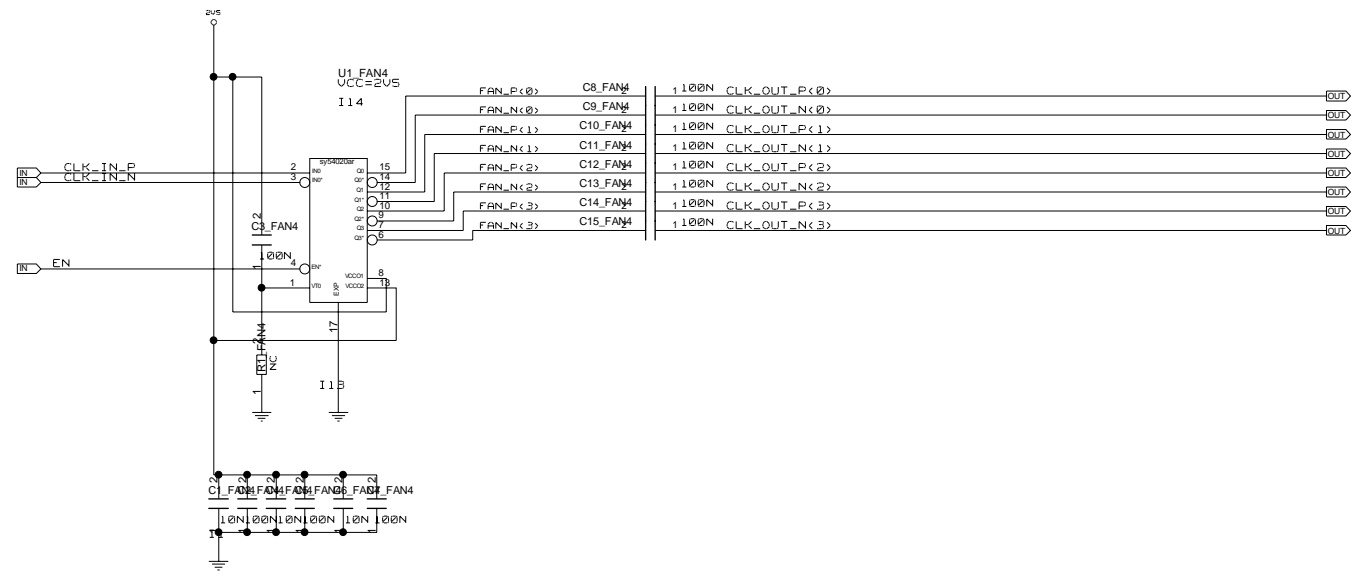
UNIVERSITY OF MAINZ		DRAWING TITLE	
		CLOCK_CML_FANOUT4_AC	
SIZE	REV.	DRAWING NO.	
C			
SCALE		SHEET OF	

REVISIONS				
ZONE	LTR	DESCRIPTION	DATE	APPR.



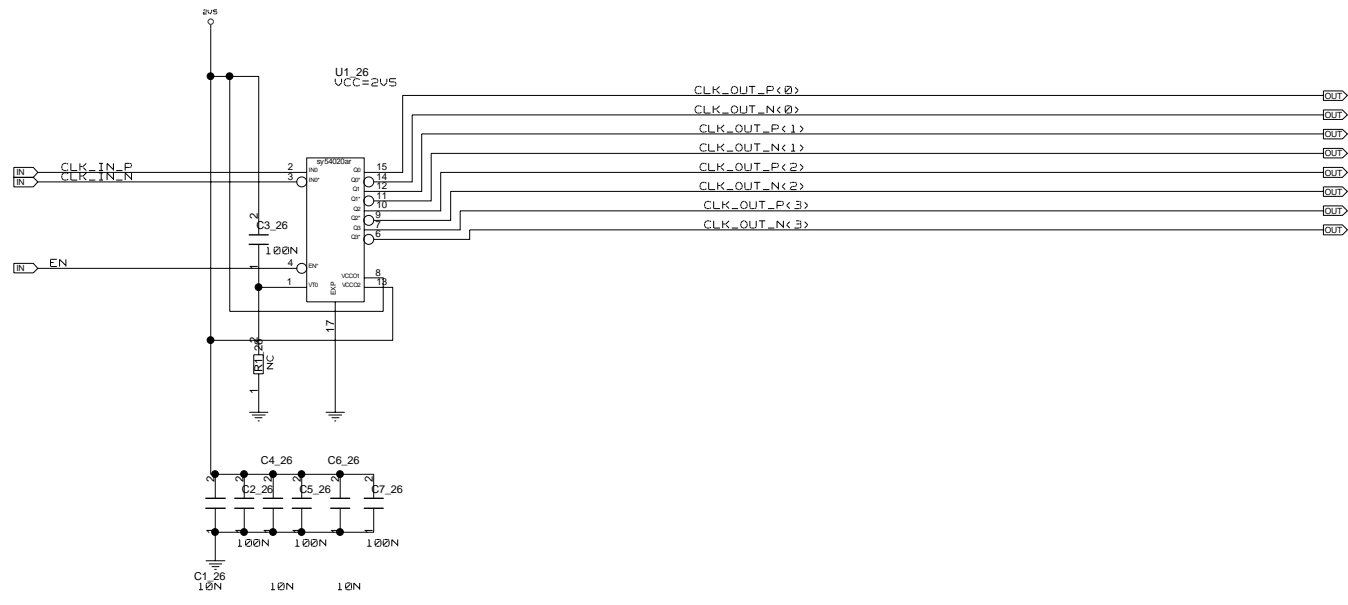
UNIVERSITY OF MAINZ		DRAWING TITLE	
		CLOCK_CML_FANOUT4_AC	
SIZE	REV.	DRAWING NO.	
C			
SCALE		SHEET OF	

REVISIONS				
ZONE	LTR	DESCRIPTION	DATE	APPR.



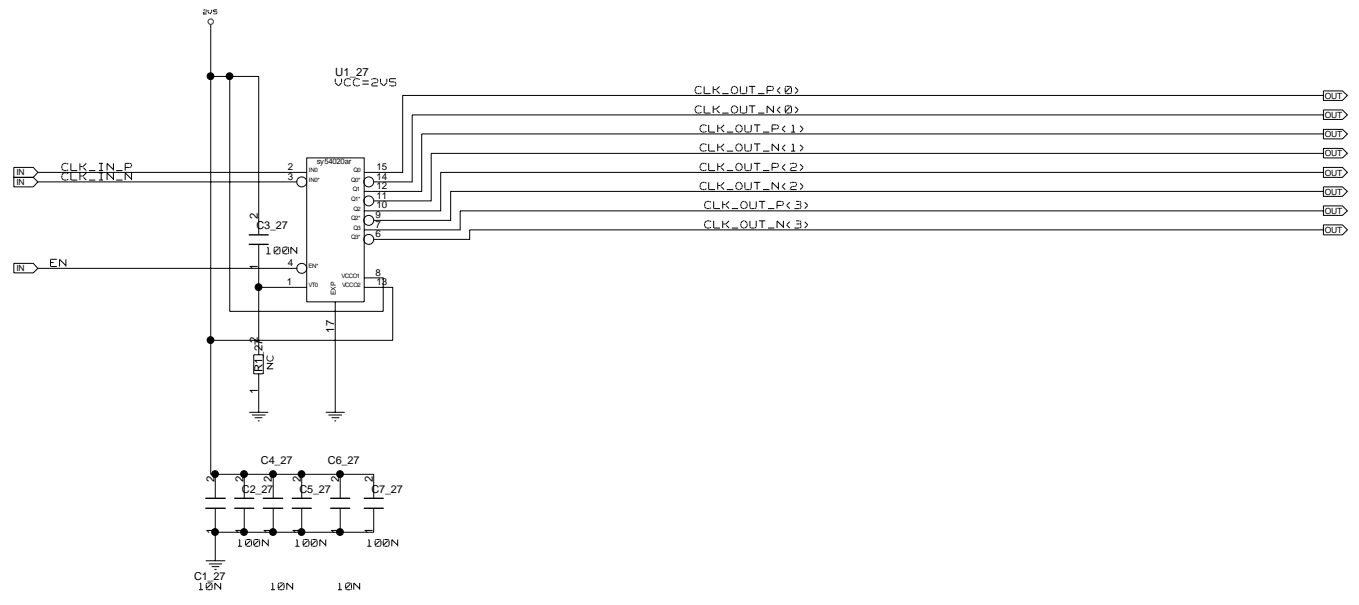
UNIVERSITY OF MAINZ		DRAWING TITLE	
		CLOCK_CML_FANOUT4_AC	
SIZE	REV.	DRAWING NO.	
C			
SCALE		SHEET OF	

REVISIONS				
ZONE	LTR	DESCRIPTION	DATE	APPR.



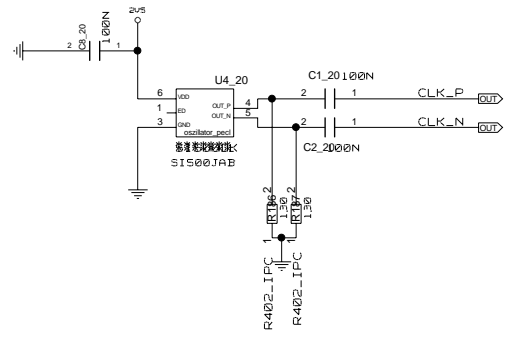
UNIVERSITY OF MAINZ		DRAWING TITLE	
		CLOCK_CML_FANOUT4_DC	
SIZE	REV.	DRAWING NO.	
C			
SCALE		SHEET OF	

REVISIONS				
ZONE	LTR	DESCRIPTION	DATE	APPR.



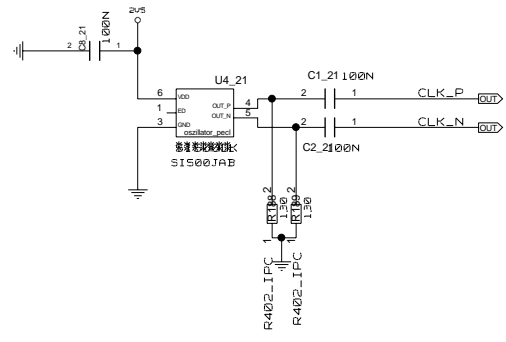
UNIVERSITY OF MAINZ		DRAWING TITLE	
		CLOCK_CML_FANOUT4_DC	
SIZE	REV.	DRAWING NO.	
C			
SCALE		SHEET OF	

REVISIONS				
ZONE	LTR	DESCRIPTION	DATE	APPR.



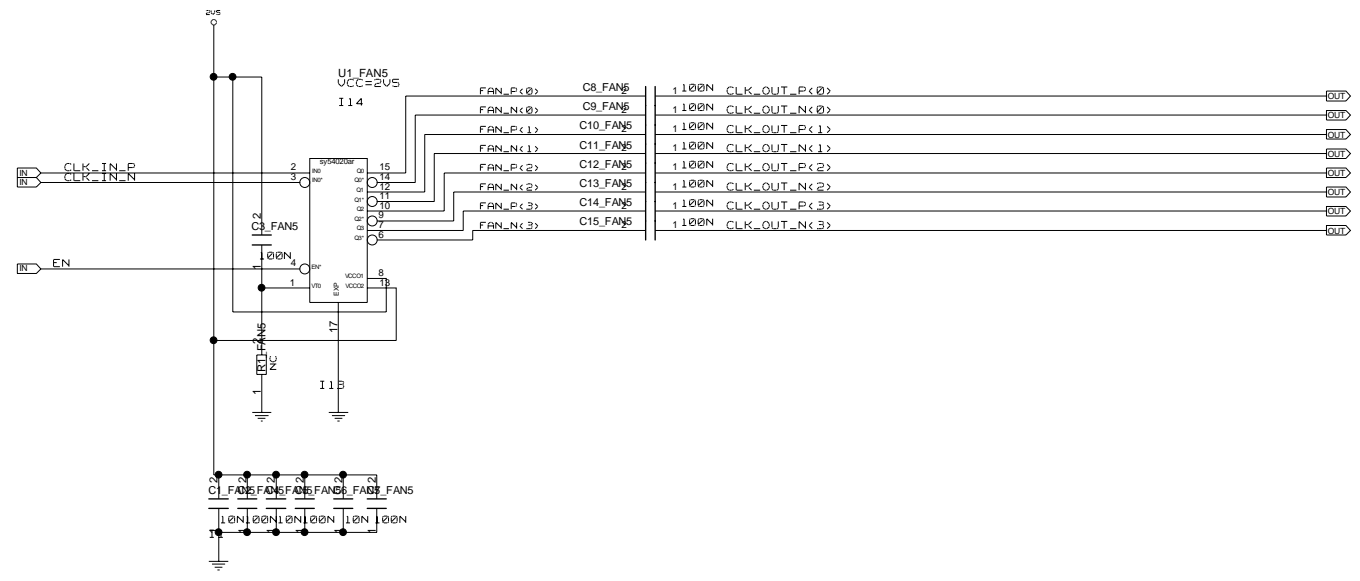
UNIVERSITY OF MAINZ		DRAWING TITLE CLOCK_LP_LVPECL_AC		
SIZE C	REV.	DRAWING NO.		
SCALE				SHEET OF

REVISIONS				
ZONE	LTR	DESCRIPTION	DATE	APPR.



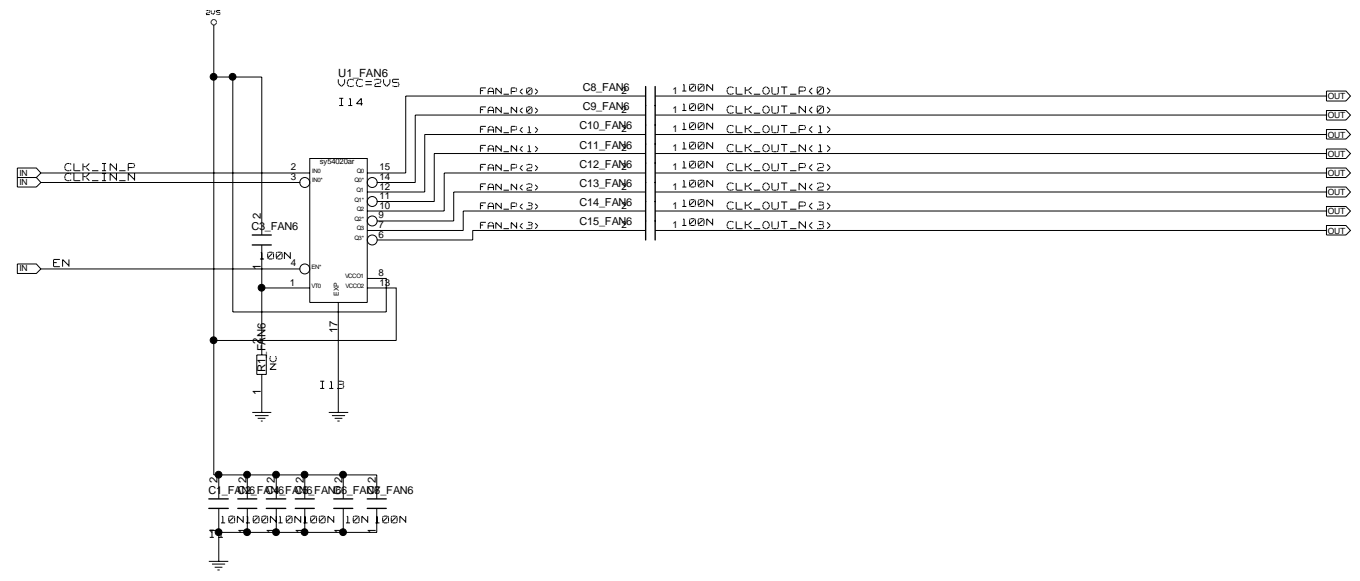
UNIVERSITY OF MAINZ		DRAWING TITLE	
		CLOCK_LP_LVPECL_AC	
SIZE	REV.	DRAWING NO.	
C			
SCALE		SHEET OF	

REVISIONS				
ZONE	LTR	DESCRIPTION	DATE	APPR.



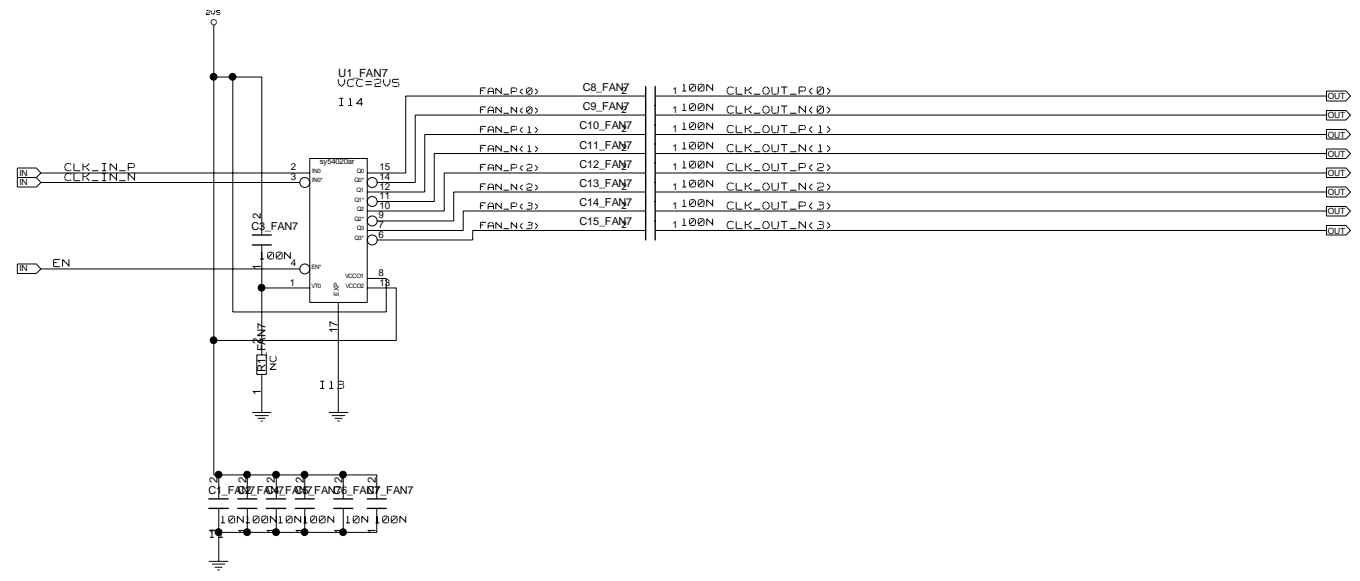
UNIVERSITY OF MAINZ		DRAWING TITLE	
		CLOCK_CML_FANOUT4_AC	
SIZE	REV.	DRAWING NO.	
C			
SCALE		SHEET OF	

REVISIONS				
ZONE	LTR	DESCRIPTION	DATE	APPR.



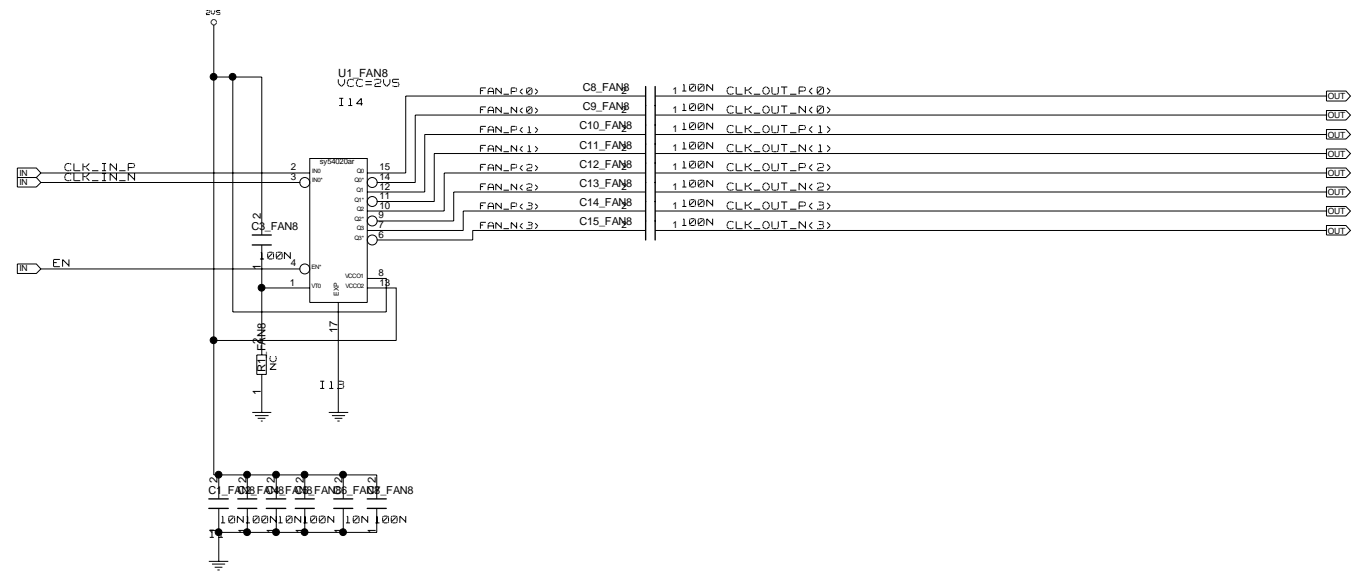
UNIVERSITY OF MAINZ		DRAWING TITLE	
		CLOCK_CML_FANOUT4_AC	
SIZE	REV.	DRAWING NO.	
C			
SCALE		SHEET OF	

REVISIONS				
ZONE	LTR	DESCRIPTION	DATE	APPR.



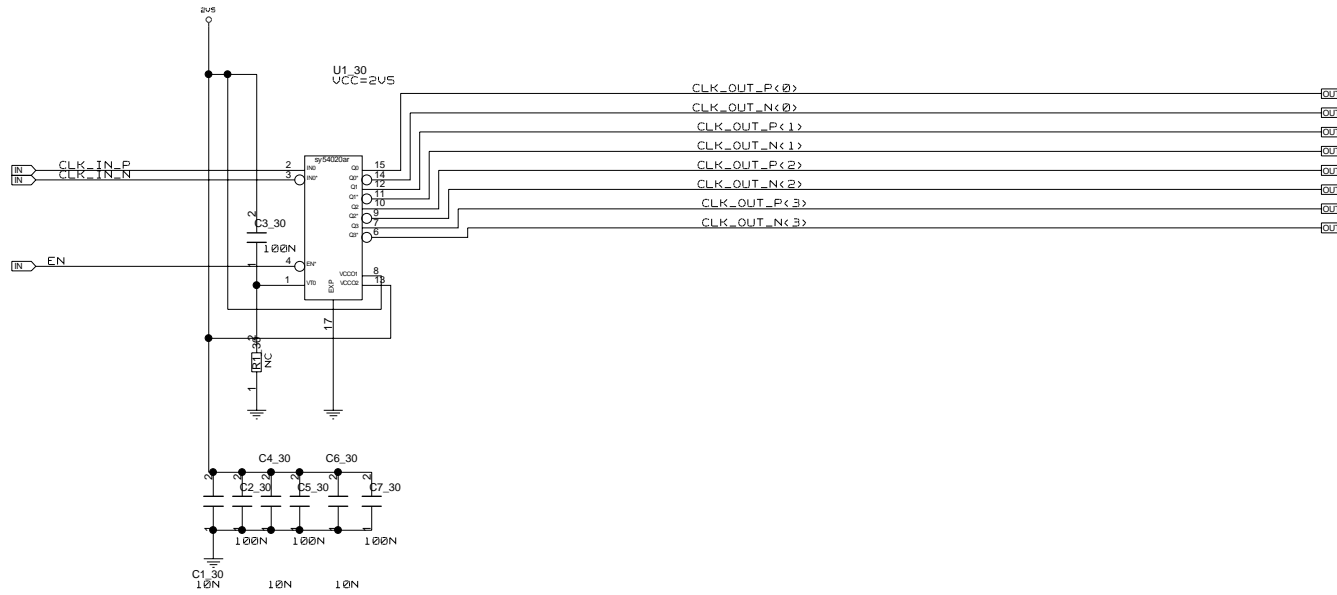
UNIVERSITY OF MAINZ		DRAWING TITLE	
		CLOCK_CML_FANOUT4_AC	
SIZE	REV.	DRAWING NO.	
C			
SCALE		SHEET OF	

REVISIONS				
ZONE	LTR	DESCRIPTION	DATE	APPR.



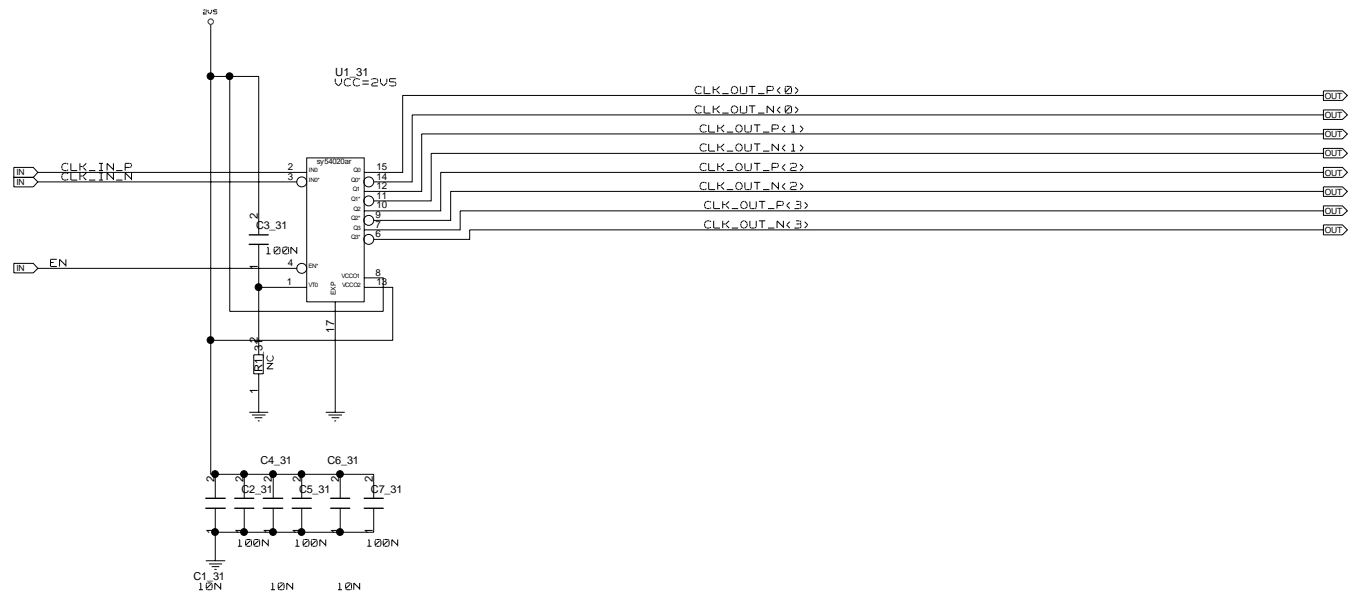
UNIVERSITY OF MAINZ		DRAWING TITLE	
		CLOCK_CML_FANOUT4_AC	
SIZE	REV.	DRAWING NO.	
C			
SCALE		SHEET OF	

REVISIONS				
ZONE	LTR	DESCRIPTION	DATE	APPR.



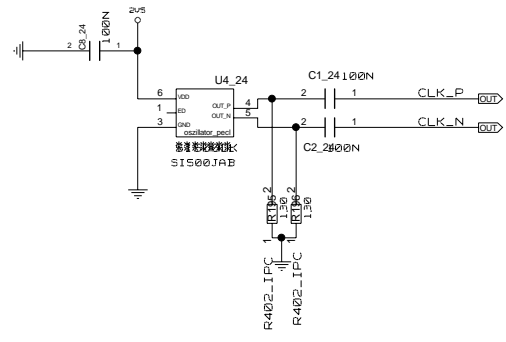
UNIVERSITY OF MAINZ		DRAWING TITLE CLOCK_CML_FANOUT4_DC	
SIZE C	REV.	DRAWING NO.	
SCALE		SHEET OF	

REVISIONS				
ZONE	LTR	DESCRIPTION	DATE	APPR.



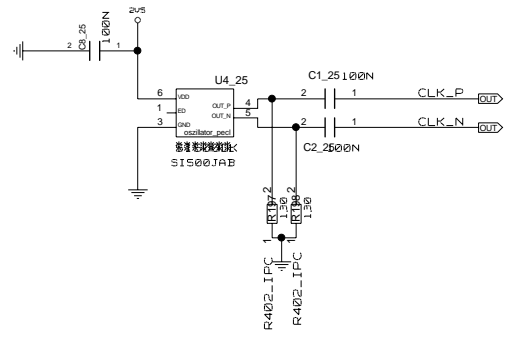
UNIVERSITY OF MAINZ		DRAWING TITLE	
		CLOCK_CML_FANOUT4_DC	
SIZE	REV.	DRAWING NO.	
C			
SCALE		SHEET OF	

REVISIONS				
ZONE	LTR	DESCRIPTION	DATE	APPR.



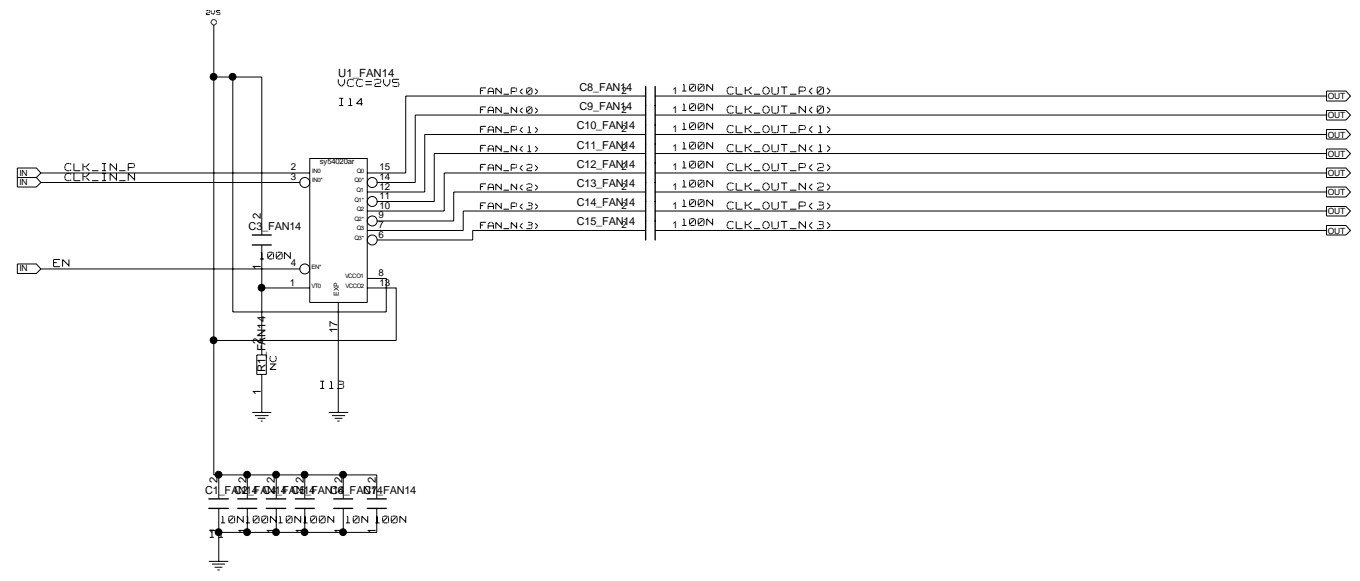
UNIVERSITY OF MAINZ		DRAWING TITLE	
		CLOCK_LP_LVPECL_AC	
SIZE	REV.	DRAWING NO.	
C			
SCALE		SHEET OF	

REVISIONS				
ZONE	LTR	DESCRIPTION	DATE	APPR.



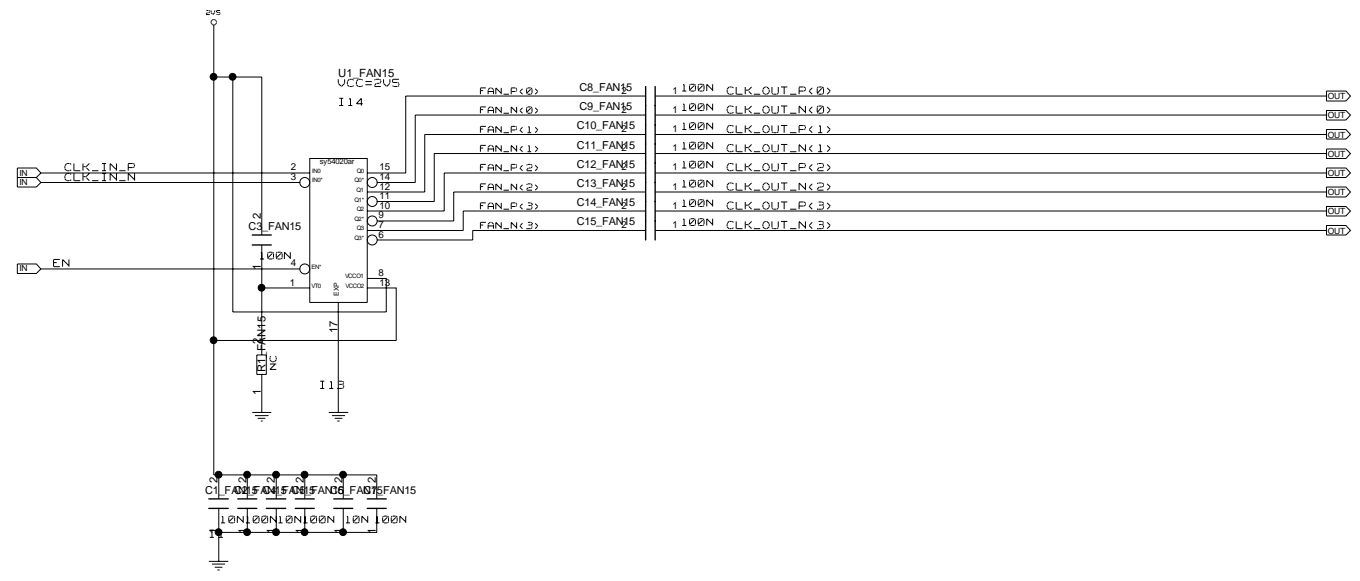
UNIVERSITY OF MAINZ		DRAWING TITLE CLOCK_LP_LVPECL_AC		
SIZE C	REV.	DRAWING NO.		
SCALE				SHEET OF

REVISIONS				
ZONE	LTR	DESCRIPTION	DATE	APPR.



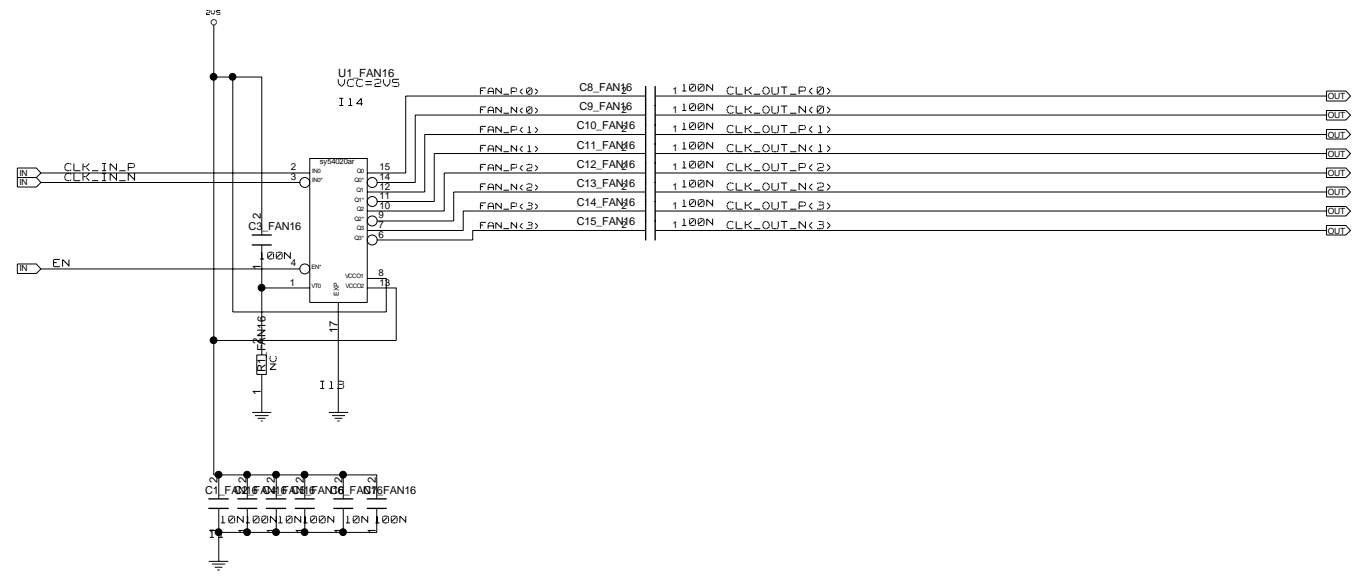
UNIVERSITY OF MAINZ		DRAWING TITLE	
		CLOCK_CML_FANOUT4_AC	
SIZE	REV.	DRAWING NO.	
C			
SCALE		SHEET OF	

REVISIONS				
ZONE	LTR	DESCRIPTION	DATE	APPR.



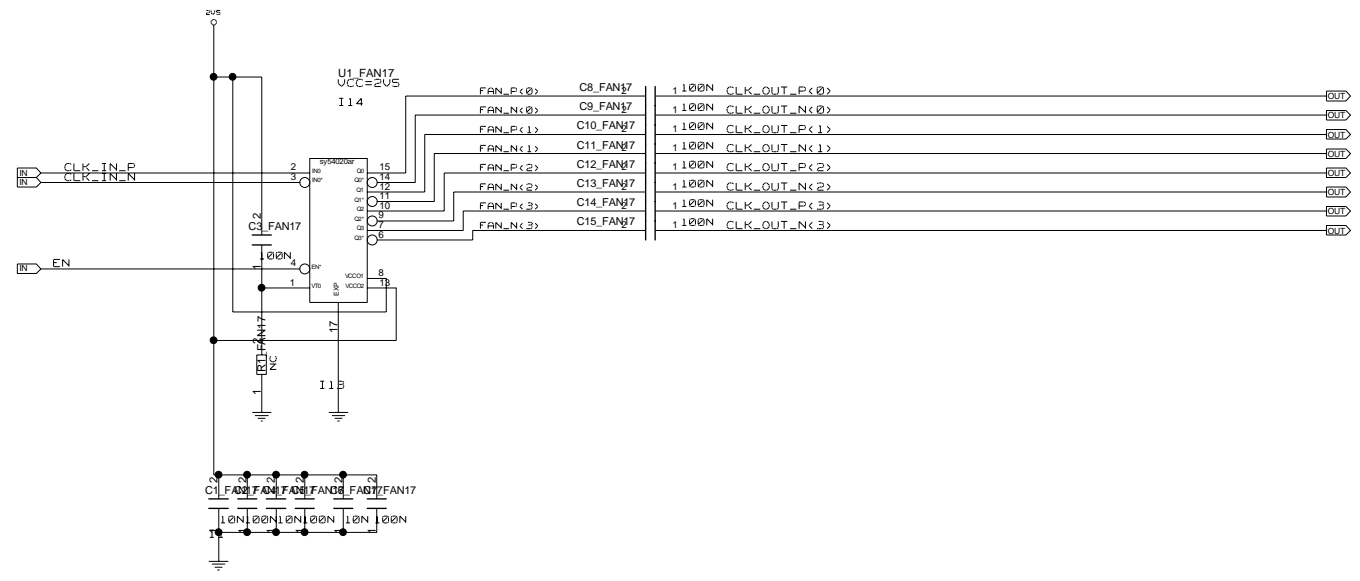
UNIVERSITY OF MAINZ		DRAWING TITLE	
		CLOCK_CML_FANOUT4_AC	
SIZE	REV.	DRAWING NO.	
C			
SCALE		SHEET OF	

REVISIONS				
ZONE	LTR	DESCRIPTION	DATE	APPR.



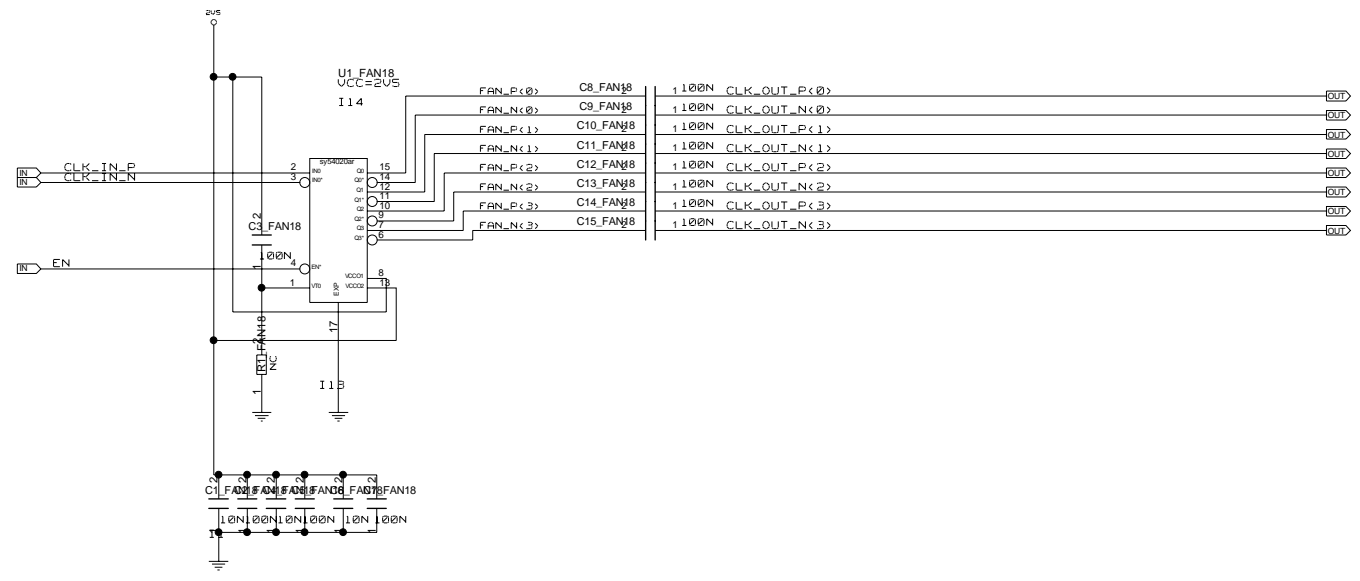
UNIVERSITY OF MAINZ		DRAWING TITLE	
		CLOCK_CML_FANOUT4_AC	
SIZE	REV.	DRAWING NO.	
C			
SCALE		SHEET OF	

REVISIONS				
ZONE	LTR	DESCRIPTION	DATE	APPR.



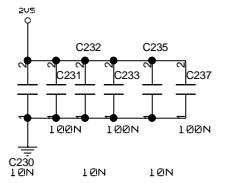
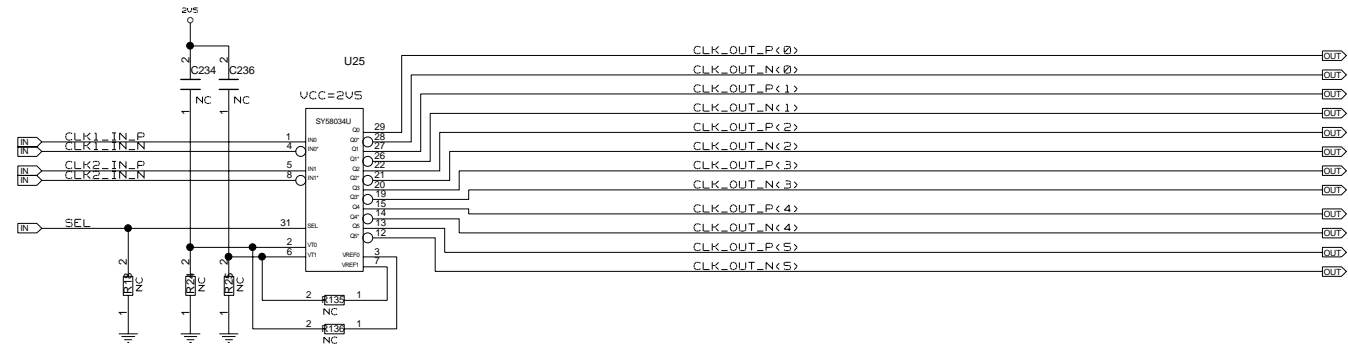
UNIVERSITY OF MAINZ		DRAWING TITLE	
		CLOCK_CML_FANOUT4_AC	
SIZE	REV.	DRAWING NO.	
C			
SCALE		SHEET OF	

REVISIONS				
ZONE	LTR	DESCRIPTION	DATE	APPR.



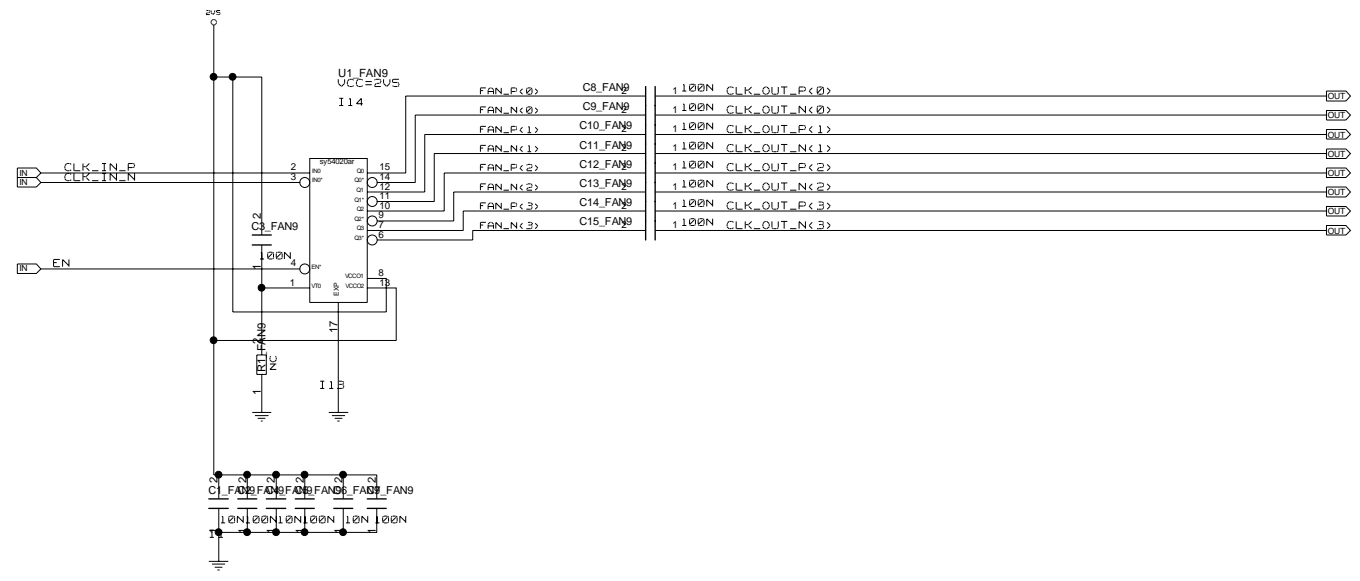
UNIVERSITY OF MAINZ		DRAWING TITLE	
		CLOCK_CML_FANOUT4_AC	
SIZE	REV.	DRAWING NO.	
C			
SCALE		SHEET OF	

REVISIONS				
ZONE	LTR	DESCRIPTION	DATE	APPR.



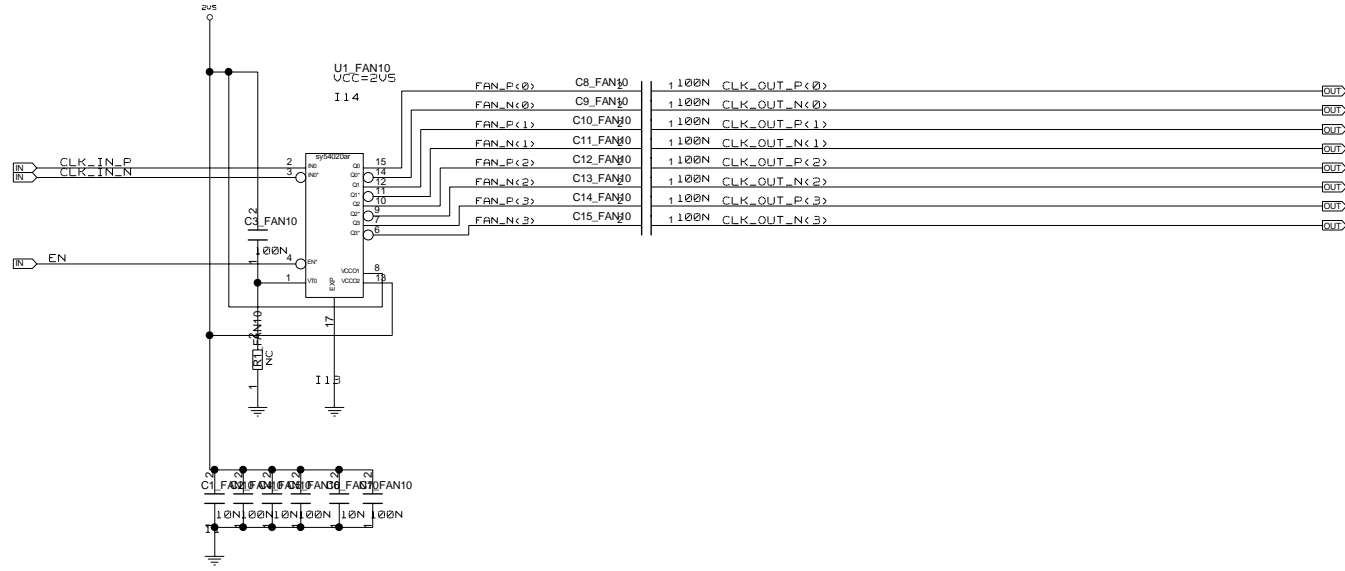
UNIVERSITY OF MAINZ		DRAWING TITLE	
		CLOCK_CML_FANOUT6_DC	
SIZE	REV.	DRAWING NO.	
C			
SCALE		SHEET OF	

REVISIONS				
ZONE	LTR	DESCRIPTION	DATE	APPR.



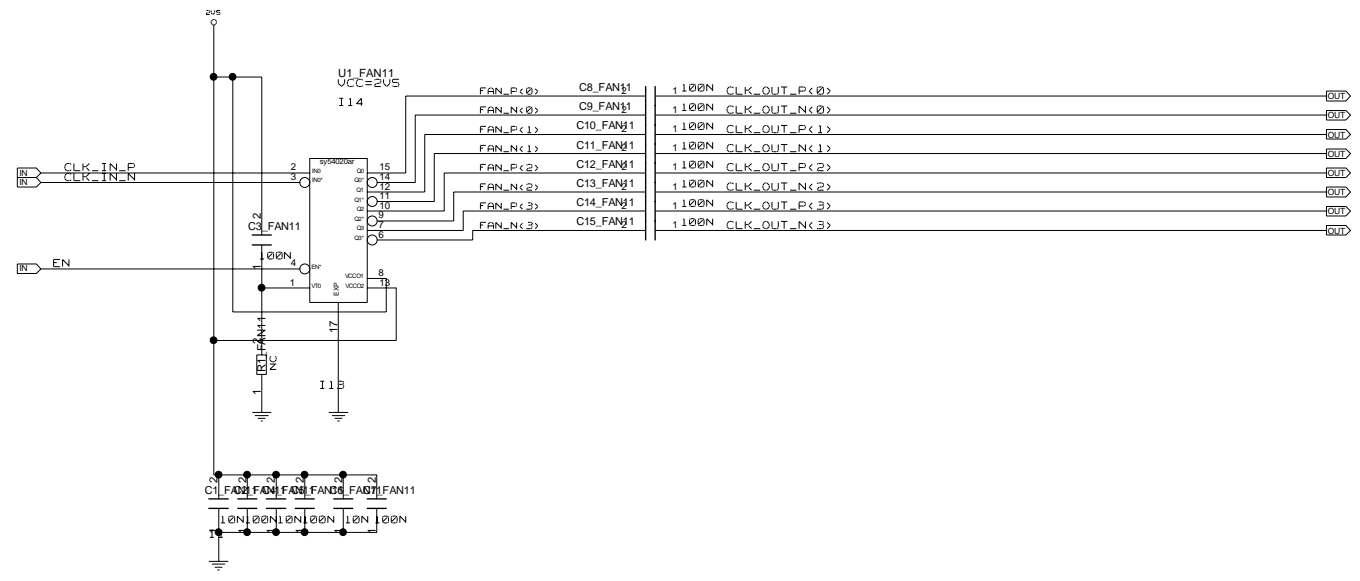
UNIVERSITY OF MAINZ		DRAWING TITLE	
		CLOCK_CML_FANOUT4_AC	
SIZE	REV.	DRAWING NO.	
C			
SCALE		SHEET OF	

REVISIONS				
ZONE	LTR	DESCRIPTION	DATE	APPR.



UNIVERSITY OF MAINZ		DRAWING TITLE	
		CLOCK_CML_FANOUT4_AC	
SIZE	REV.	DRAWING NO.	
C			
SCALE		SHEET OF	

REVISIONS				
ZONE	LTR	DESCRIPTION	DATE	APPR.

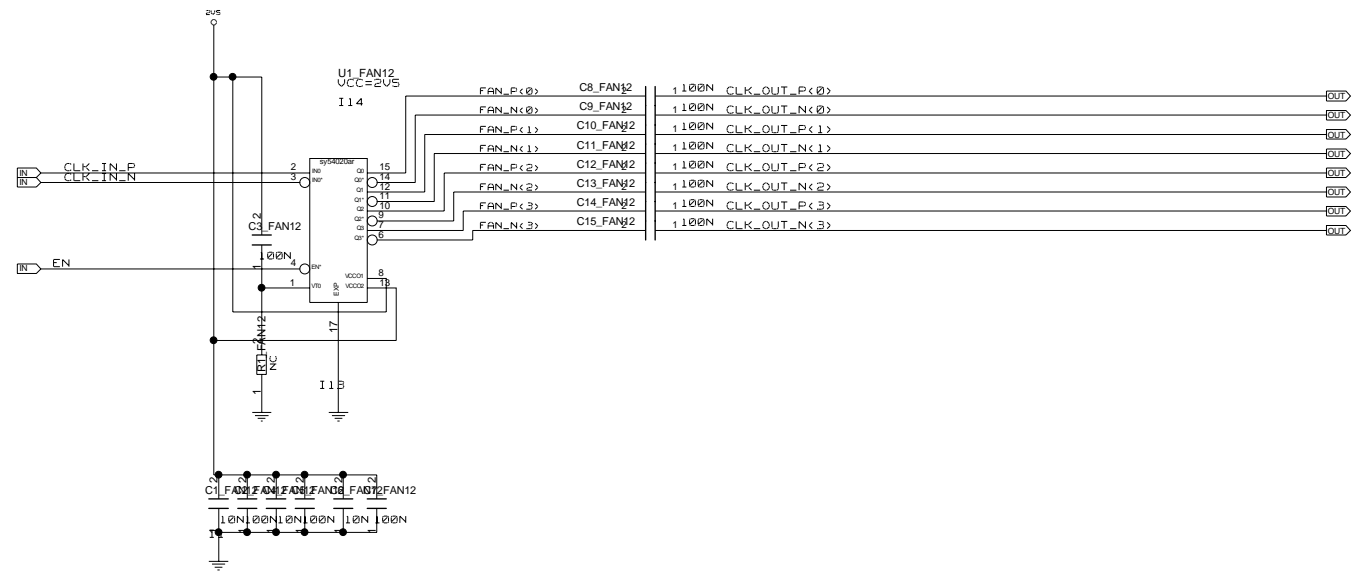


F
E
D
C
B
A

F
E
D
C
B
A

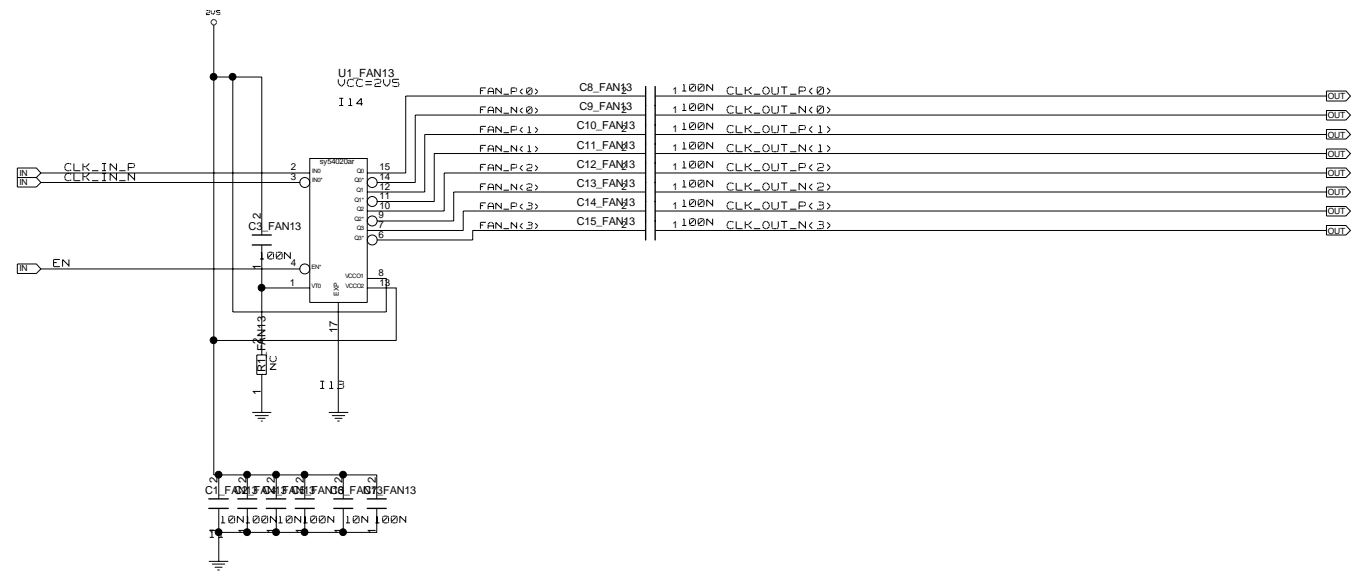
UNIVERSITY OF MAINZ		DRAWING TITLE	
		CLOCK_CML_FANOUT4_AC	
SIZE	REV.	DRAWING NO.	
C			
SCALE		SHEET OF	

REVISIONS				
ZONE	LTR	DESCRIPTION	DATE	APPR.



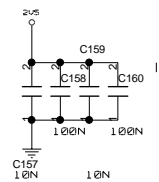
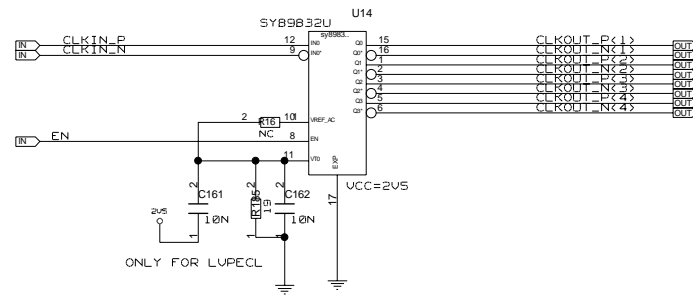
UNIVERSITY OF MAINZ		DRAWING TITLE	
		CLOCK_CML_FANOUT4_AC	
SIZE	REV.	DRAWING NO.	
C			
SCALE		SHEET OF	

REVISIONS				
ZONE	LTR	DESCRIPTION	DATE	APPR.



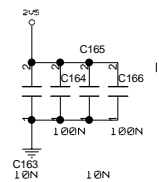
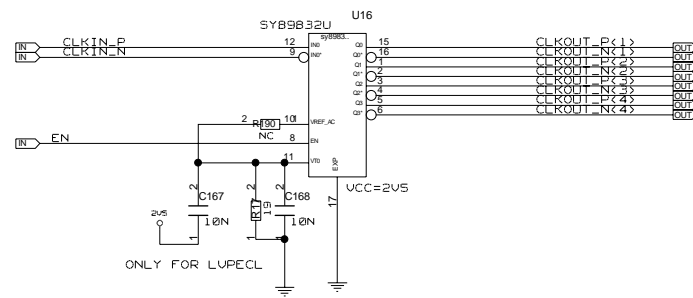
UNIVERSITY OF MAINZ		DRAWING TITLE	
		CLOCK_CML_FANOUT4_AC	
SIZE	REV.	DRAWING NO.	
C			
SCALE		SHEET OF	

REVISIONS				
ZONE	LTR	DESCRIPTION	DATE	APPR.

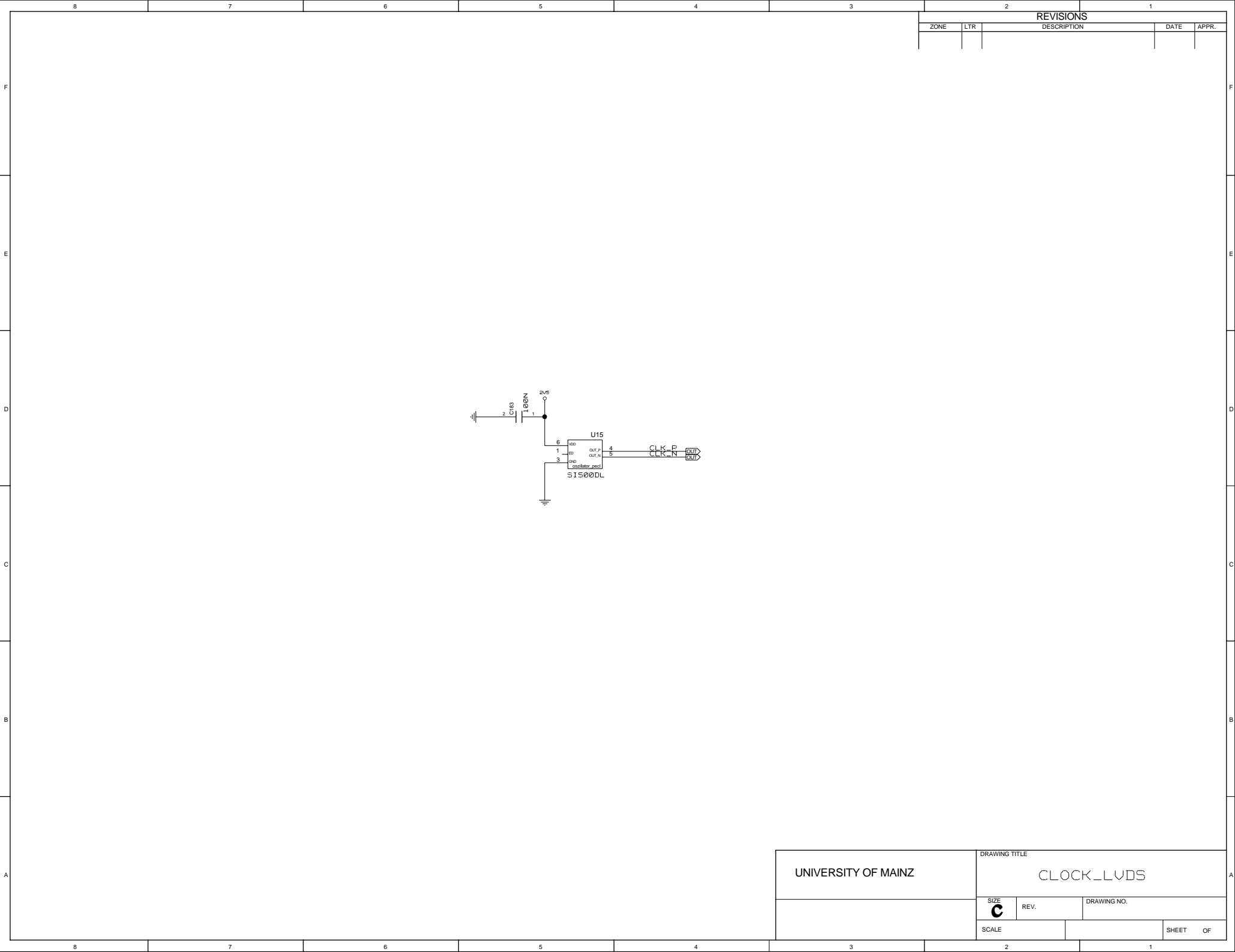


UNIVERSITY OF MAINZ		DRAWING TITLE	
CLOCK_FANOUT_DC_4_LVDS		SIZE	DRAWING NO.
SCALE	REV.	C	
			SHEET OF

REVISIONS				
ZONE	LTR	DESCRIPTION	DATE	APPR.



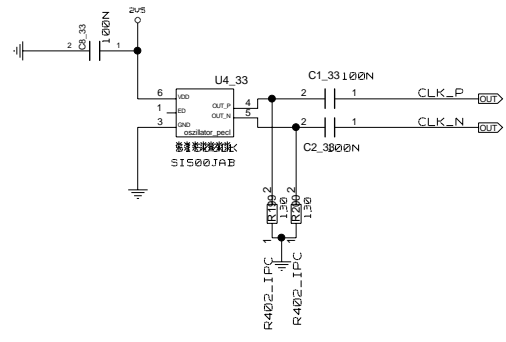
UNIVERSITY OF MAINZ		DRAWING TITLE	
		CLOCK_FANOUT_DC_4_LVDS	
SIZE	REV.	DRAWING NO.	
C			
SCALE		SHEET OF	



REVISIONS				
ZONE	LTR	DESCRIPTION	DATE	APPR.

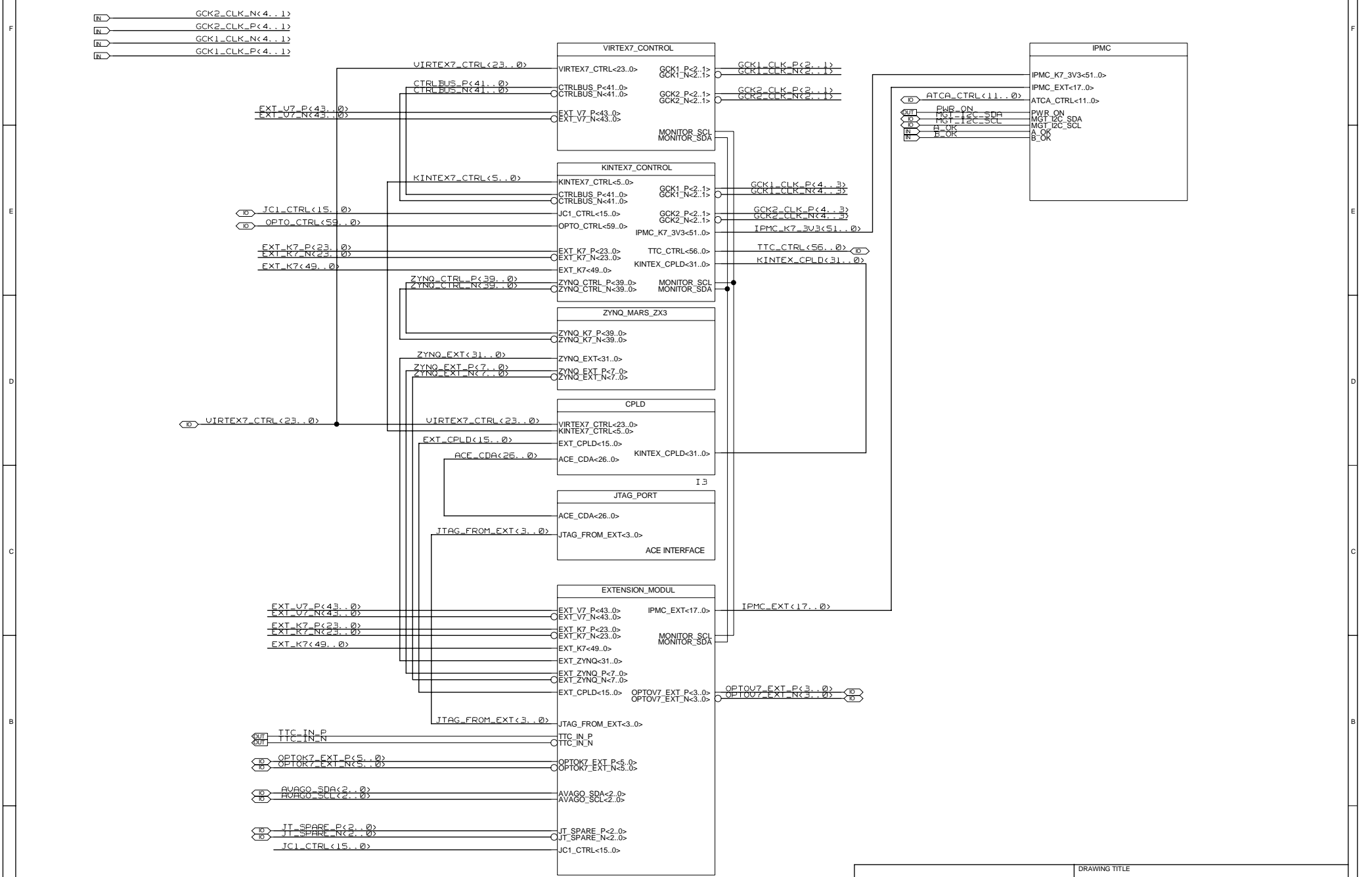
UNIVERSITY OF MAINZ		DRAWING TITLE		
		CLOCK_LLVD5		
SIZE	REV.	DRAWING NO.		
C				
SCALE				SHEET OF

REVISIONS				
ZONE	LTR	DESCRIPTION	DATE	APPR.



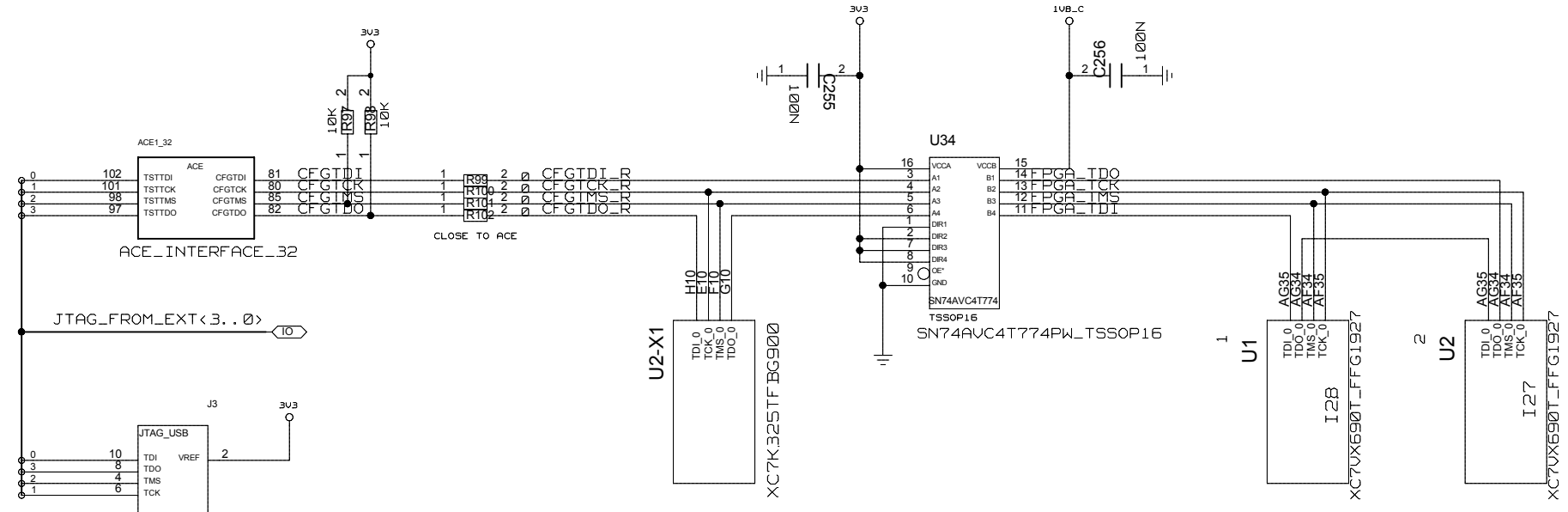
UNIVERSITY OF MAINZ		DRAWING TITLE	
		CLOCK_LP_LVPECL_AC	
SIZE	REV.	DRAWING NO.	
C			
SCALE		SHEET OF	

REVISIONS				
ZONE	LTR	DESCRIPTION	DATE	APPR.

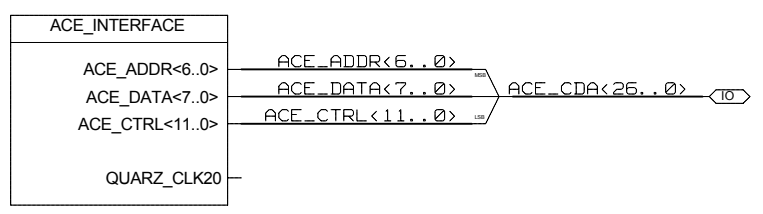


UNIVERSITY OF MAINZ		DRAWING TITLE	
BLOCK: CONTROL		BOARDCONTROL	
SIZE	REV.	DRAWING NO.	
C			
SCALE			SHEET OF

REVISIONS				
ZONE	LTR	DESCRIPTION	DATE	APPR.



ACE_CDA<0>	R10_1_32.2	U37, J5	ACE_CTRL0
ACE_CDA<1>	ACE1_32.33	U37, T5	ACE_CTRL1
ACE_CDA<2>	ACE1_32.42	U37, R7	ACE_CTRL2
ACE_CDA<3>	ACE1_32.76	U37, R2	ACE_CTRL3
ACE_CDA<4>	ACE1_32.77	U37, P4	ACE_CTRL4
ACE_CDA<5>	ACE1_32.39	U37, T7	ACE_CTRL5
ACE_CDA<6>	ACE1_32.86	U37, L4	ACE_CTRL6
ACE_CDA<7>	ACE1_32.87	U37, L3	ACE_CTRL7
ACE_CDA<8>	ACE1_32.88	U37, J4	ACE_CTRL8
ACE_CDA<9>	ACE1_32.89	U37, J3	ACE_CTRL9
ACE_CDA<10>	ACE1_32.78	U37, P2	ACE_CTRL10
ACE_CDA<11>	ACE1_32.79	U37, N3	ACE_CTRL11
ACE_CDA<12>	ACE1_32.66	U37, R3	ACE_DATA0
ACE_CDA<13>	ACE1_32.65	U37, P8	ACE_DATA1
ACE_CDA<14>	ACE1_32.63	U37, N8	ACE_DATA2
ACE_CDA<15>	ACE1_32.62	U37, T3	ACE_DATA3
ACE_CDA<16>	ACE1_32.61	U37, R9	ACE_DATA4
ACE_CDA<17>	ACE1_32.60	U37, R4	ACE_DATA5
ACE_CDA<18>	ACE1_32.59	U37, N9	ACE_DATA6
ACE_CDA<19>	ACE1_32.58	U37, T4	ACE_DATA7
ACE_CDA<20>	ACE1_32.70	U37, T1	ACE_ADDR0
ACE_CDA<21>	ACE1_32.69	U37, R8	ACE_ADDR1
ACE_CDA<22>	ACE1_32.68	U37, T2	ACE_ADDR2
ACE_CDA<23>	ACE1_32.67	U37, T8	ACE_ADDR3
ACE_CDA<24>	ACE1_32.45	U37, R5	ACE_ADDR4
ACE_CDA<25>	ACE1_32.44	U37, R6	ACE_ADDR5
ACE_CDA<26>	ACE1_32.43	U37, T6	ACE_ADDR6

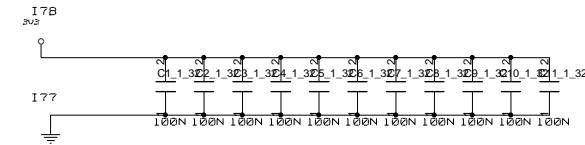
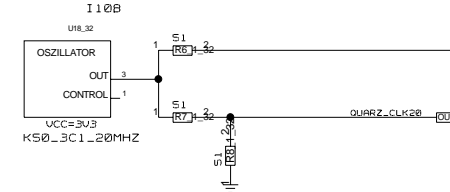
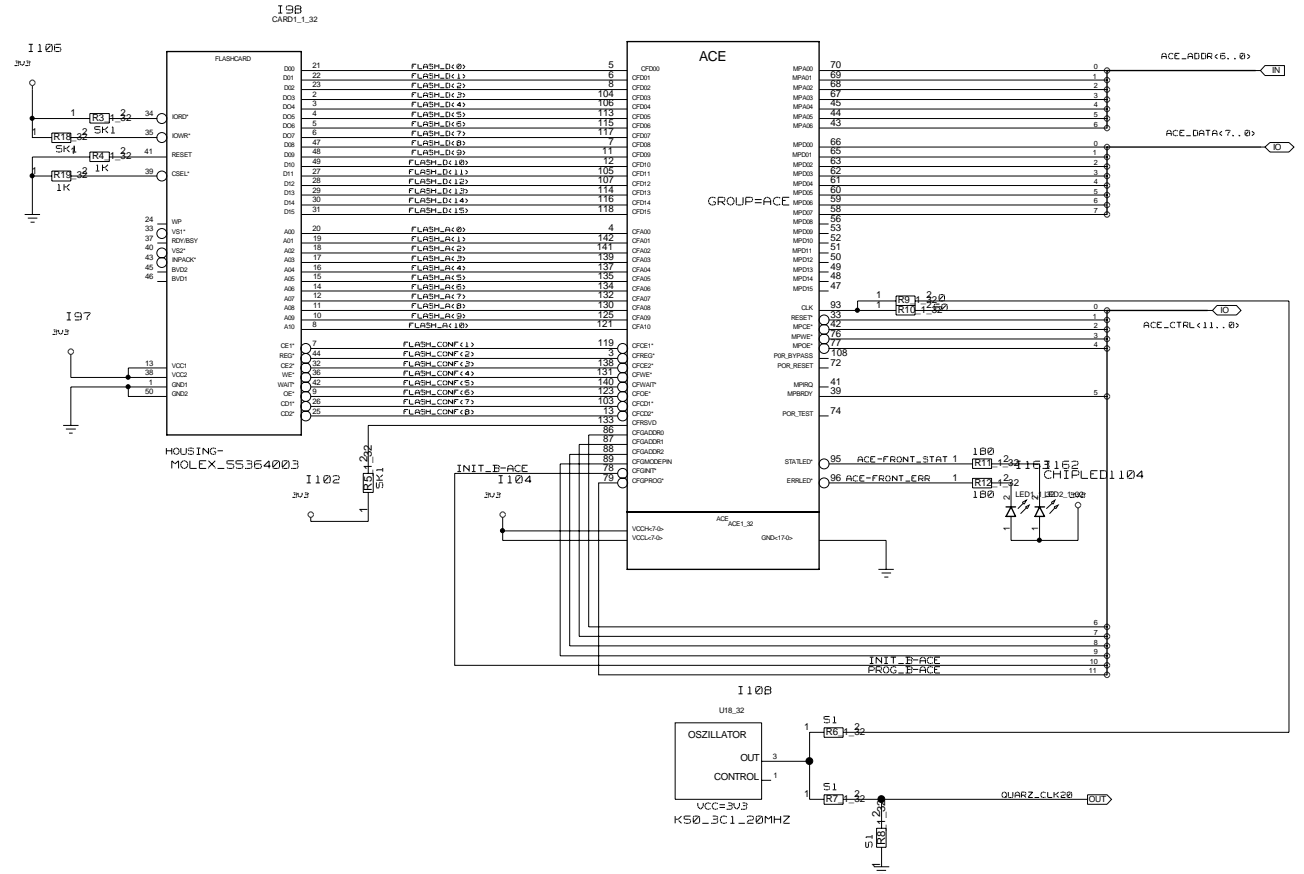


UNIVERSITY OF MAINZ	DRAWING TITLE	
	JTAG + ACE INTERFACE	
	SIZE	DRAWING NO.
BLOCK: CONTROL JTAG	REV.	
SCALE		SHEET OF

XCCACE-TQG1.441

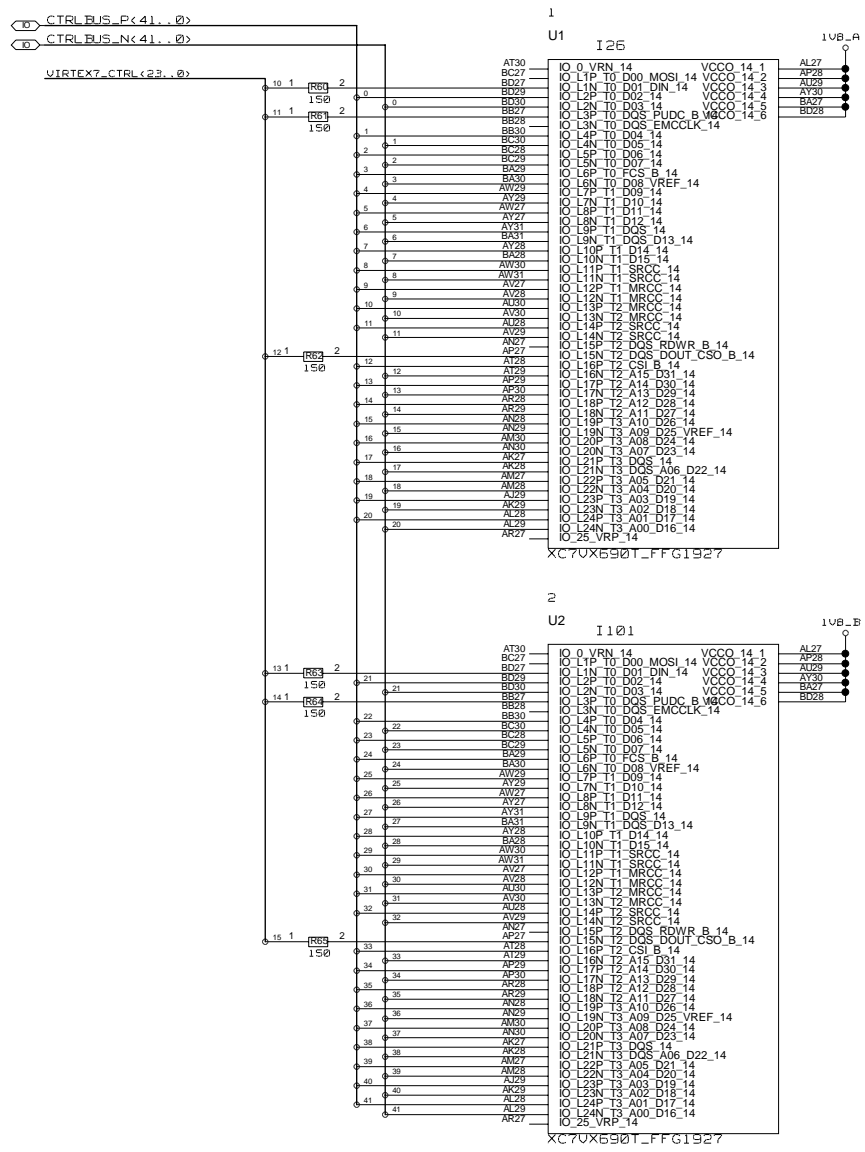
ACE1_32

REVISIONS				
ZONE	LTR	DESCRIPTION	DATE	APPR.



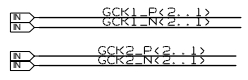
UNIVERSITY OF MAINZ		DRAWING TITLE	
		ACE MODUL	
SIZE	REV.	DRAWING NO.	
C			
SCALE			SHEET OF

REVISIONS				
ZONE	LTR	DESCRIPTION	DATE	APPR.

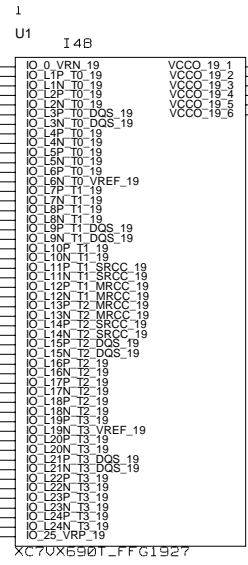
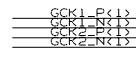
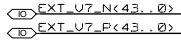


UNIVERSITY OF MAINZ		DRAWING TITLE	
BLOCK: CONTROL VIRTEx7 CONTROL		CONTROLBUS U1 + U2 --> KINTEX7	
SIZE	REV.	DRAWING NO.	
C			
SCALE		SHEET OF	

REVISIONS				
ZONE	LTR	DESCRIPTION	DATE	APPR.



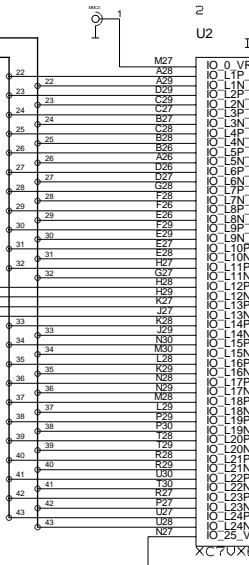
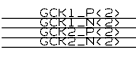
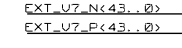
TO EXTENSION MODUL



XC7UX690T_FFG1927



TO EXTENSION MODUL

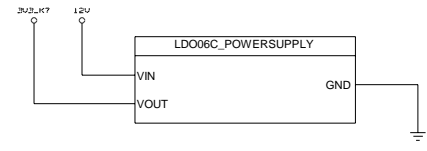
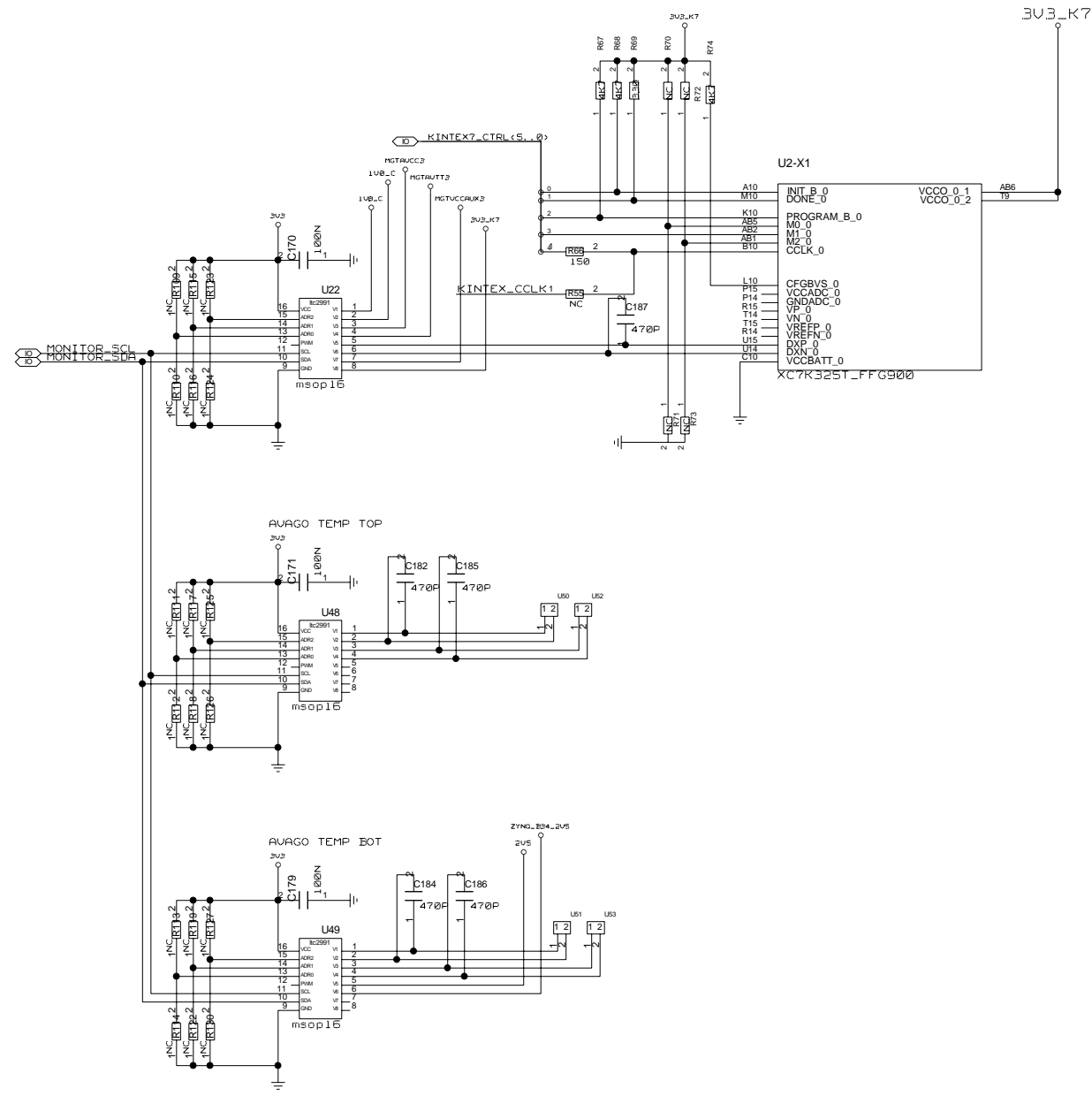


XC7UX690T_FFG1927



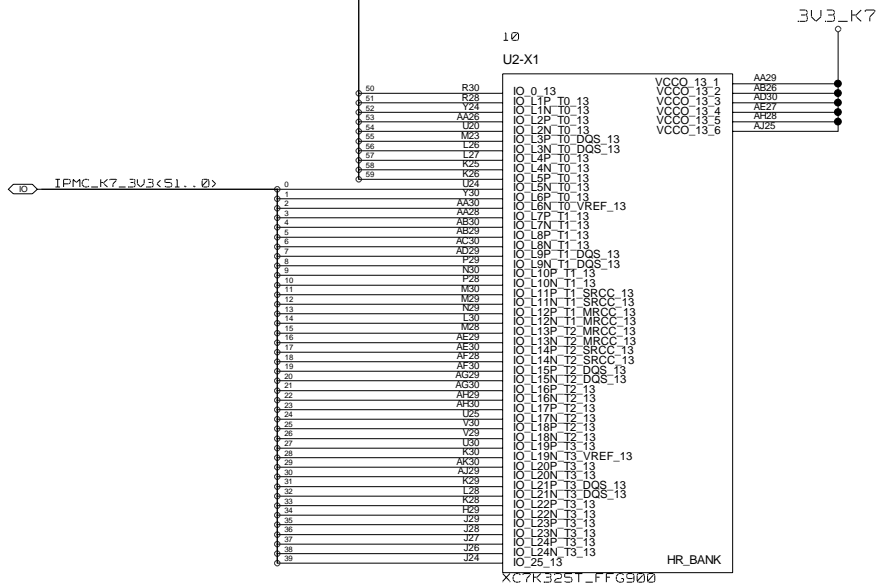
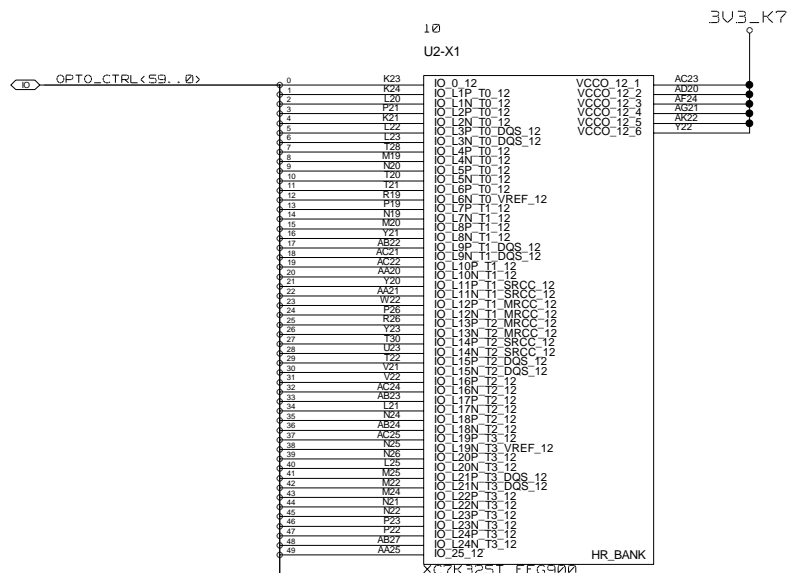
UNIVERSITY OF MAINZ		DRAWING TITLE	
TO EXTENSION MODUL		TO EXTENSION MODUL	
BLOCK: CONTROL VIRTEx7 CONTROL	SIZE C	REV.	DRAWING NO.
SCALE			SHEET OF

REVISIONS				
ZONE	LTR	DESCRIPTION	DATE	APPR.



UNIVERSITY OF MAINZ		DRAWING TITLE	
BLOCK: CONTROL KINTEX7 CONTROL		CONTROL	
SIZE	REV.	DRAWING NO.	
C			
SCALE		SHEET OF	

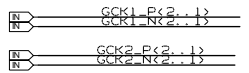
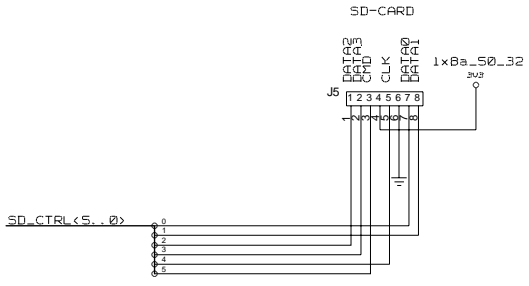
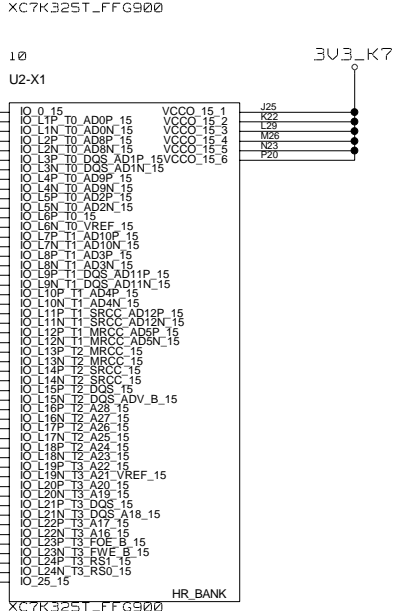
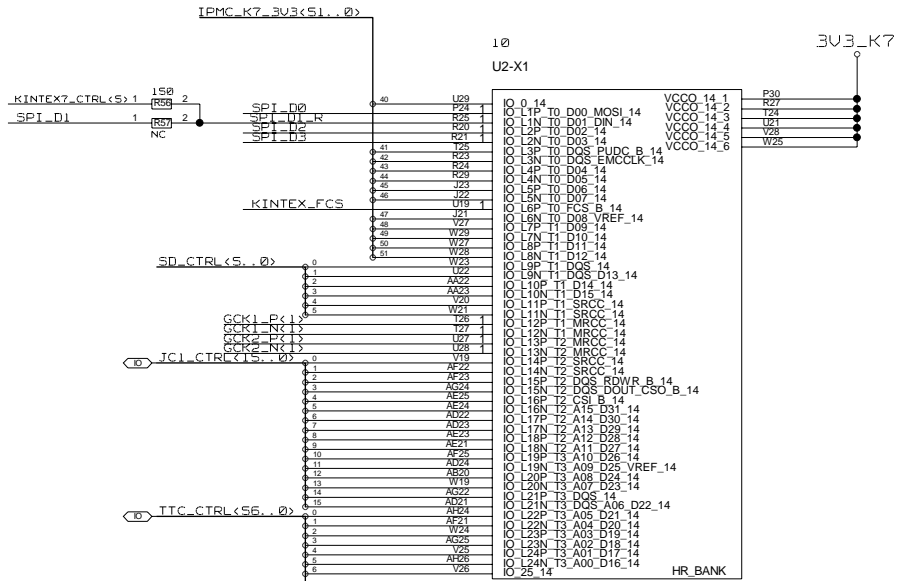
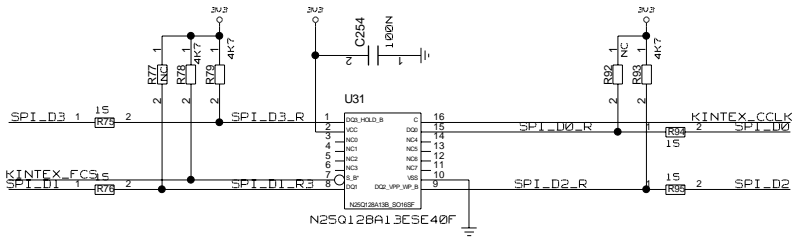
REVISIONS				
ZONE	LTR	DESCRIPTION	DATE	APPR.



UNIVERSITY OF MAINZ	DRAWING TITLE	
	CONTROL AVAGO, SFP (DAQ, ROI, UME)	
BLOCK: CONTROL KINTEX7 CONTROL	SIZE C	REV.
SCALE	DRAWING NO.	
	SHEET OF	

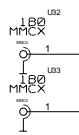
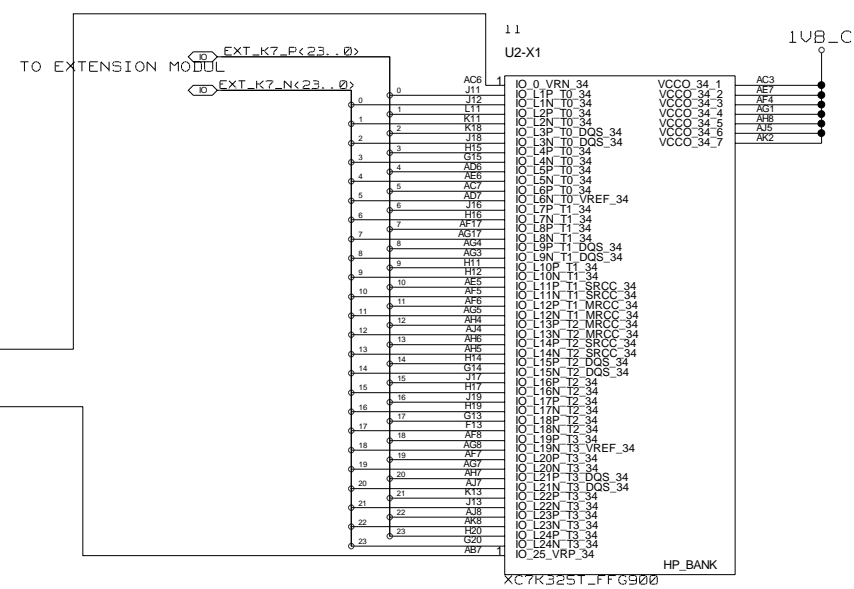
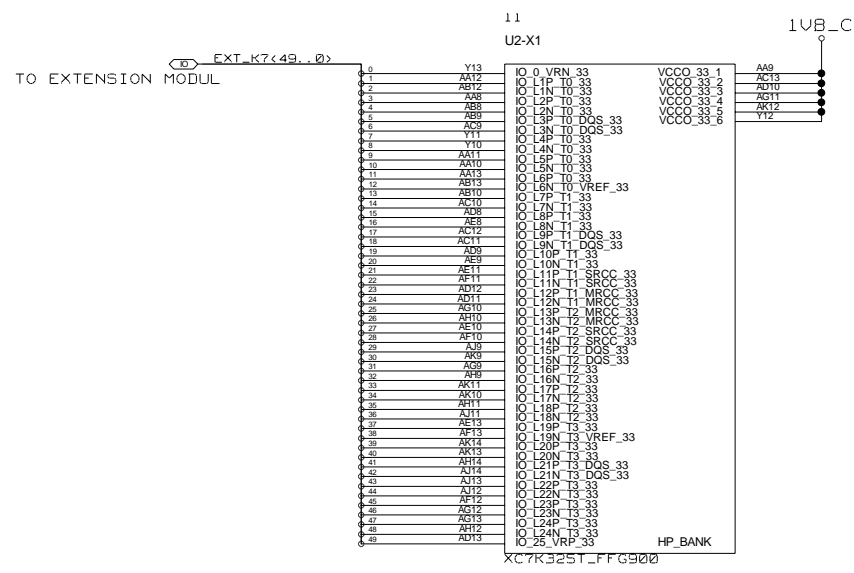
REVISIONS				
ZONE	LTR	DESCRIPTION	DATE	APPR.

BANK14 VCCO ABHAENGIG VON SPI SPANNUNG



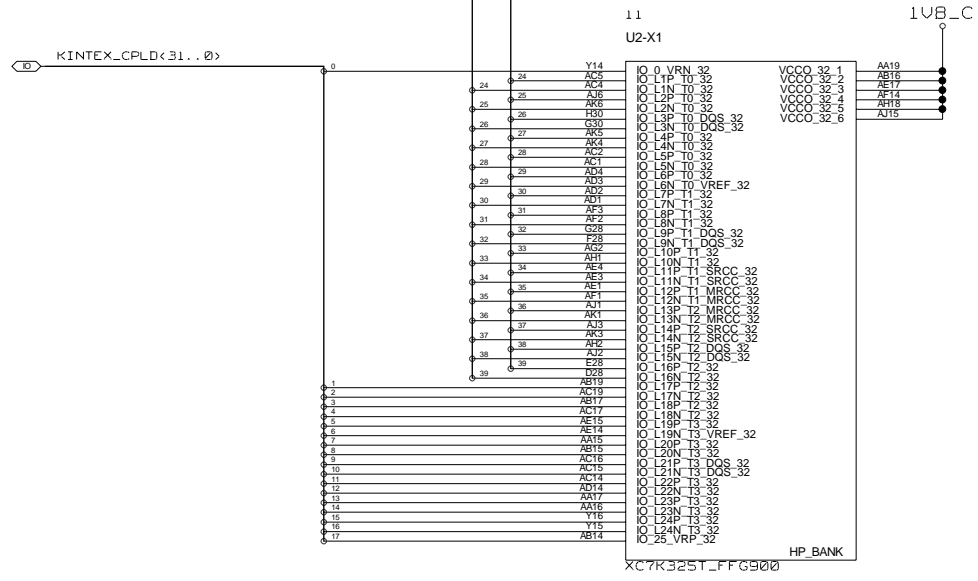
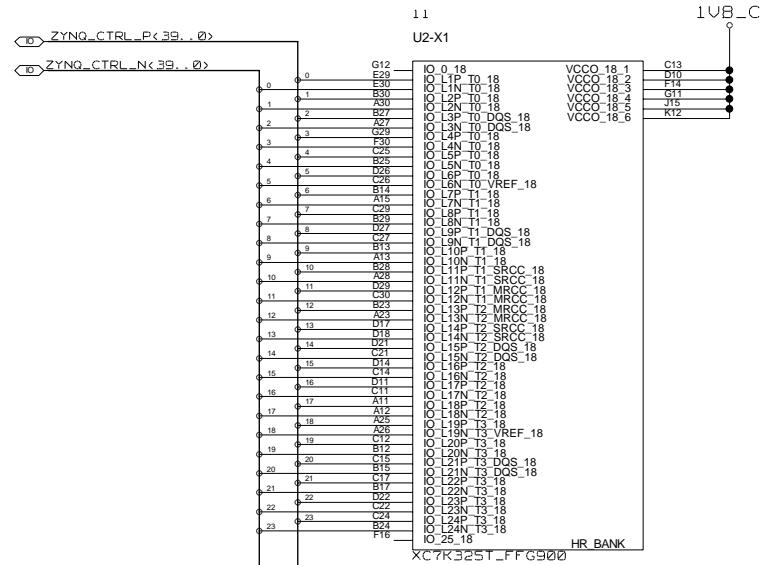
UNIVERSITY OF MAINZ		DRAWING TITLE	
BLOCK: CONTROL KINTEX7 CONTROL		SD, JITTERCLEANER, TTC, QSPI CONTROL	
SIZE	REV.	DRAWING NO.	
C			
SCALE		SHEET OF	

REVISIONS				
ZONE	LTR	DESCRIPTION	DATE	APPR.



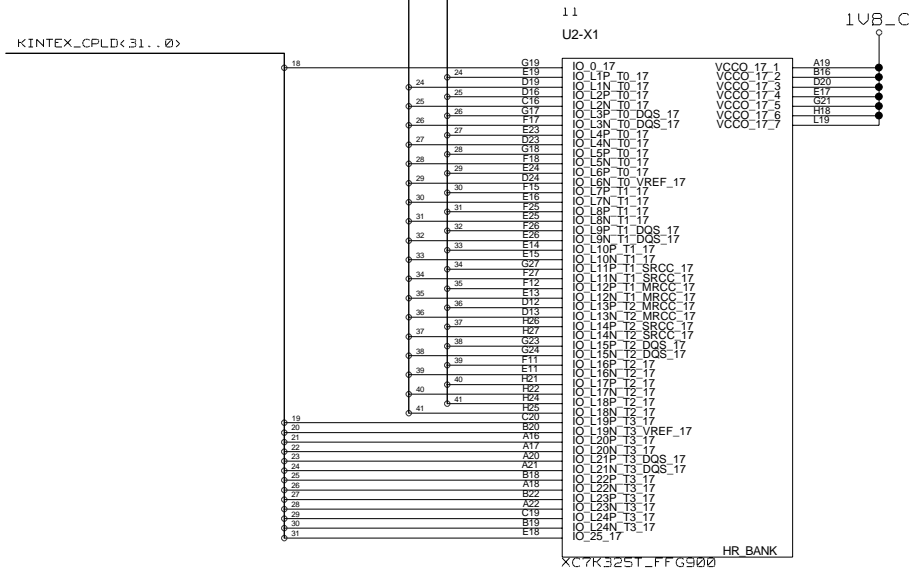
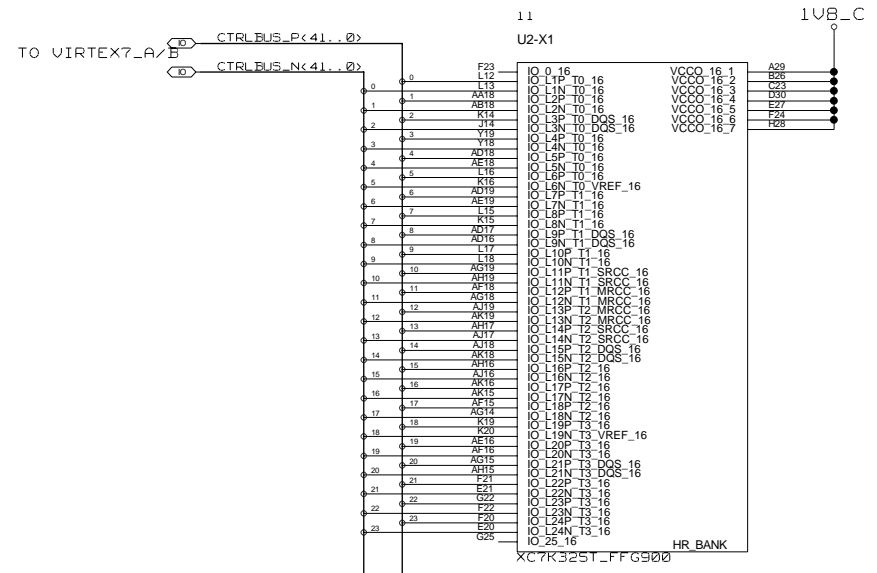
UNIVERSITY OF MAINZ	DRAWING TITLE		CONTROL EXTENSIONMODUL
	SIZE C	REV.	
BLOCK: CONTROL KINTEX7 CONTROL	SCALE		SHEET OF

REVISIONS				
ZONE	LTR	DESCRIPTION	DATE	APPR.



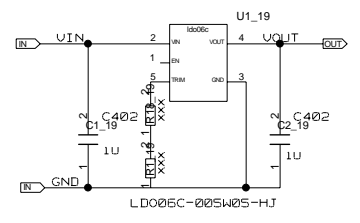
UNIVERSITY OF MAINZ		DRAWING TITLE		
BLOCK: CONTROL KINTEX7 CONTROL		ZYNQ_CONTROL		
SIZE C	REV.	DRAWING NO.		SHEET OF
SCALE				

REVISIONS				
ZONE	LTR	DESCRIPTION	DATE	APPR.



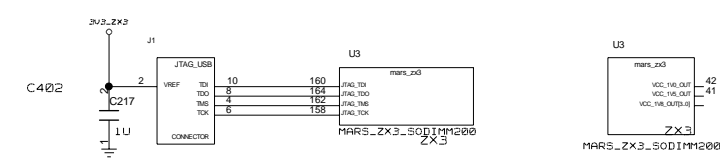
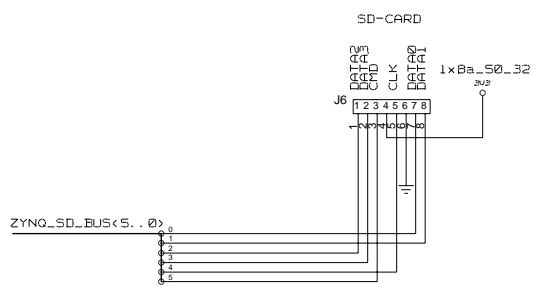
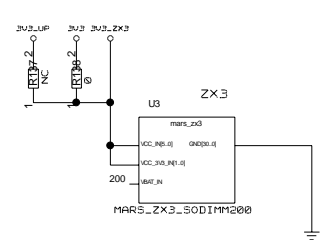
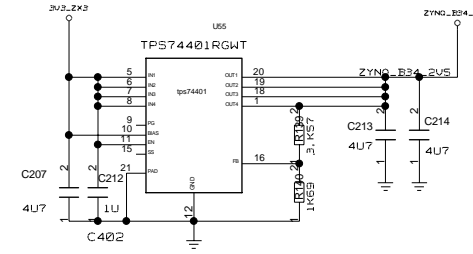
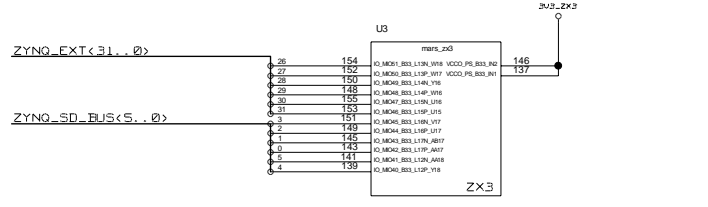
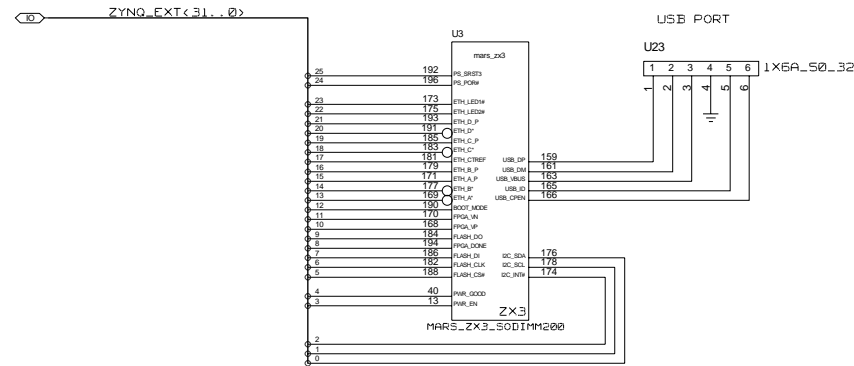
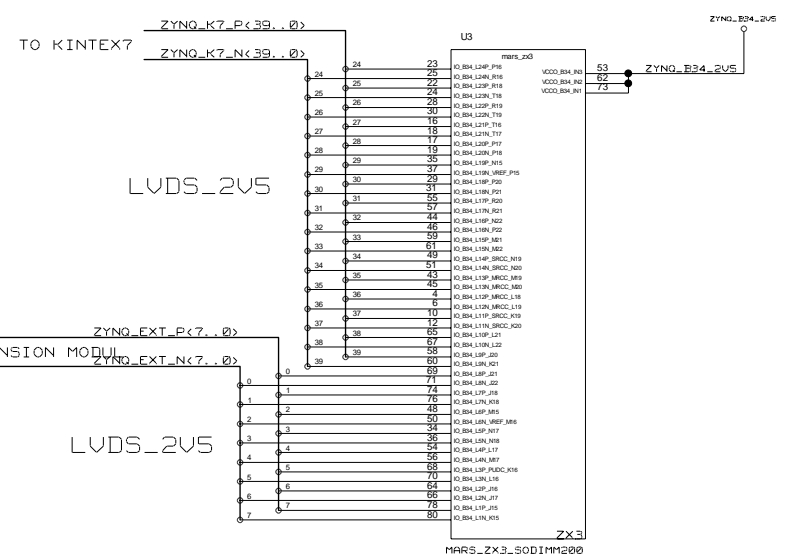
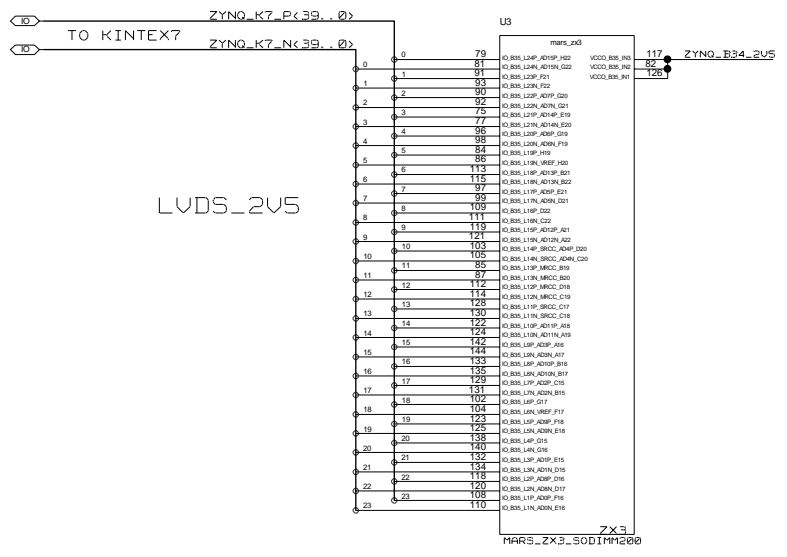
UNIVERSITY OF MAINZ	DRAWING TITLE		CONTROL BUS KINTEX7 ---> VIRTEX7
	SIZE C	REV.	
BLOCK: CONTROL KINTEX7 CONTROL	SCALE		SHEET OF

REVISIONS				
ZONE	LTR	DESCRIPTION	DATE	APPR.



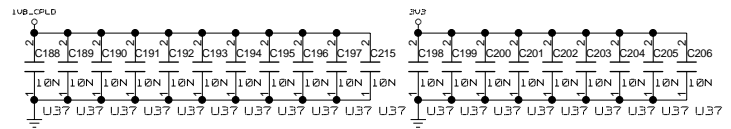
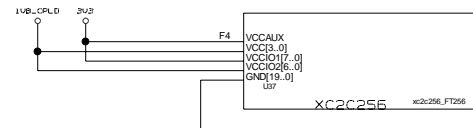
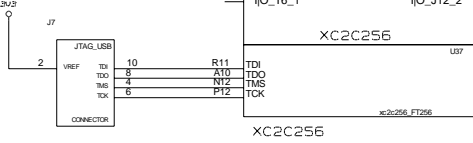
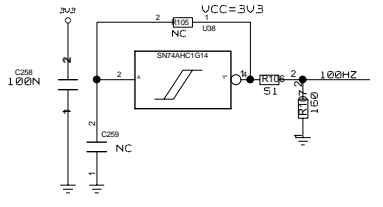
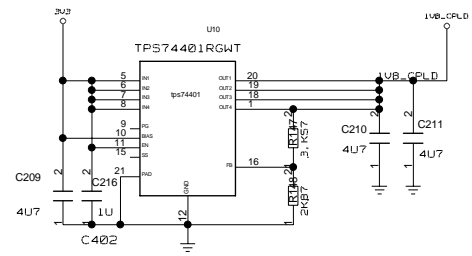
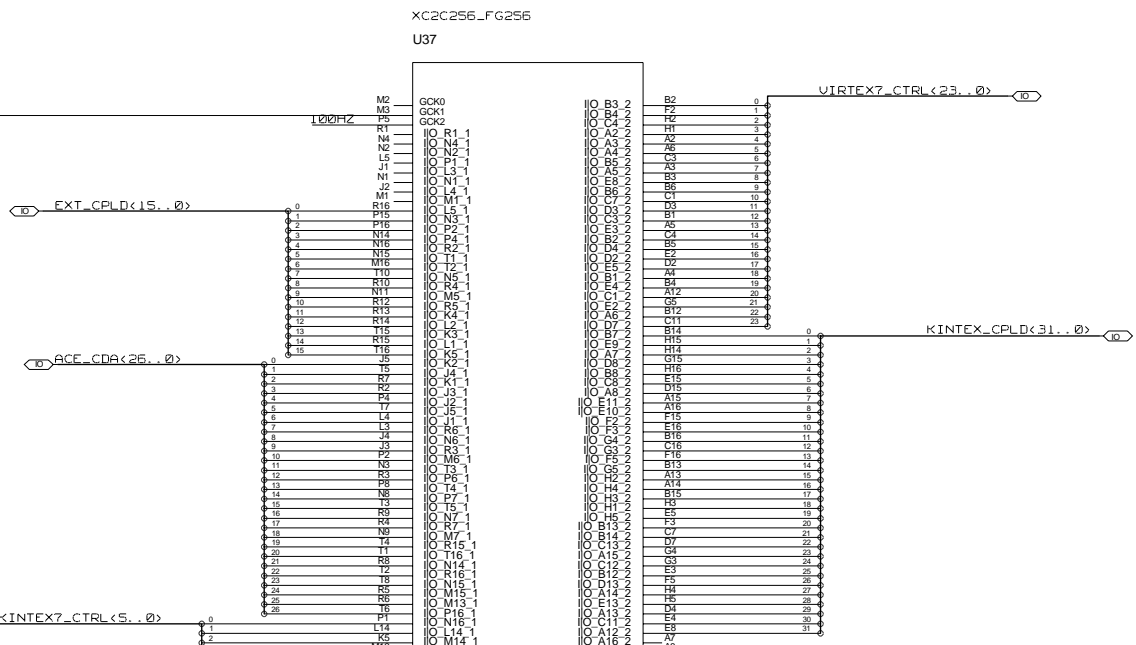
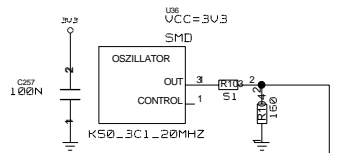
UNIVERSITY OF MAINZ		DRAWING TITLE	
		LD006C_POWER SUPPLY	
SIZE	REV.	DRAWING NO.	
C			
SCALE		SHEET	OF

REVISIONS				
ZONE	LTR	DESCRIPTION	DATE	APPR.



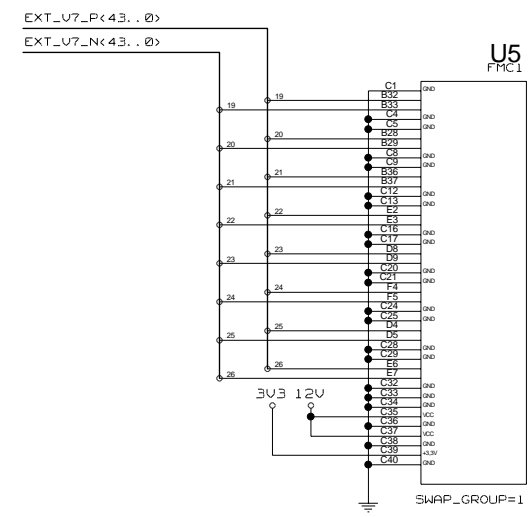
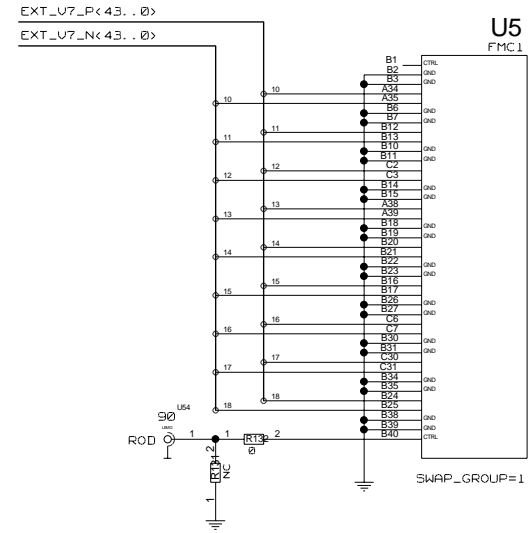
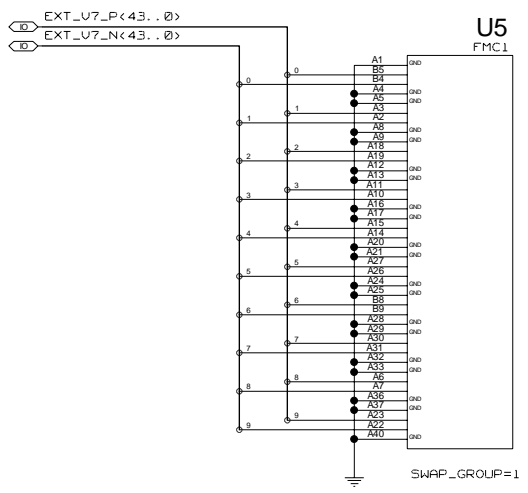
UNIVERSITY OF MAINZ		DRAWING TITLE	
BLOCK: CONTROL ZYNQ_MARS_ZX3		MARS_ZX3	
SIZE	REV.	DRAWING NO.	
C			
SCALE		SHEET OF	

REVISIONS				
ZONE	LTR	DESCRIPTION	DATE	APPR.



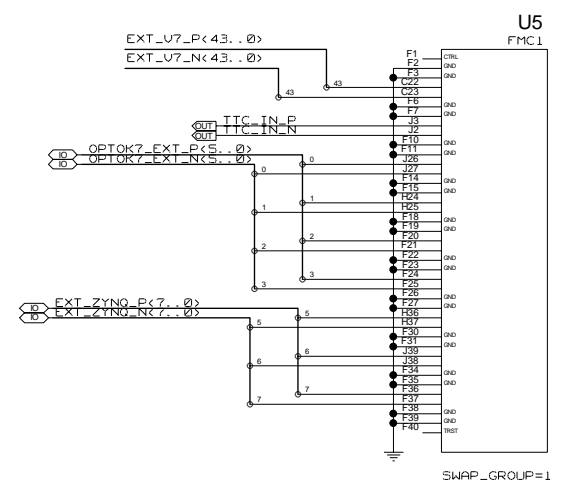
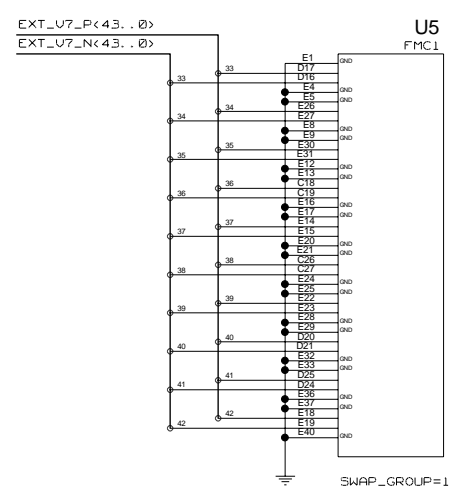
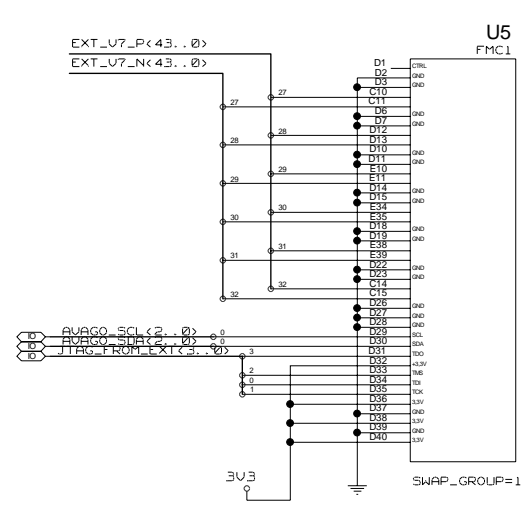
UNIVERSITY OF MAINZ		DRAWING TITLE	
BLOCK: CONTROL CPLD		CPLD	
SIZE	REV.	DRAWING NO.	
C			
SCALE		SHEET OF	

REVISIONS				
ZONE	LTR	DESCRIPTION	DATE	APPR.



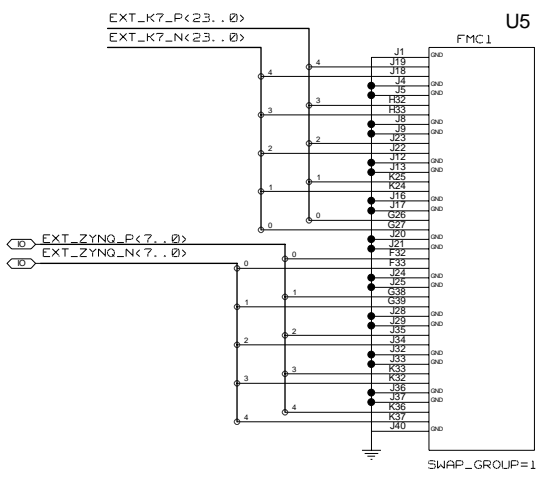
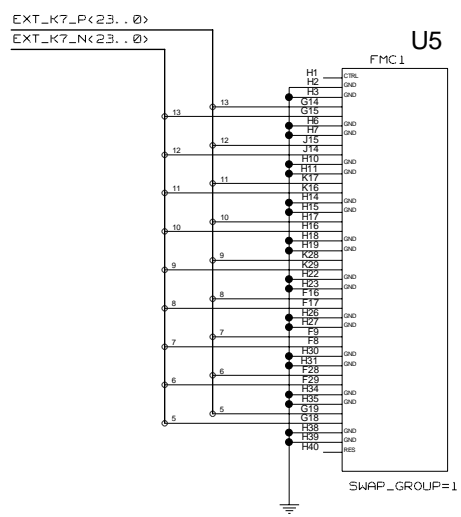
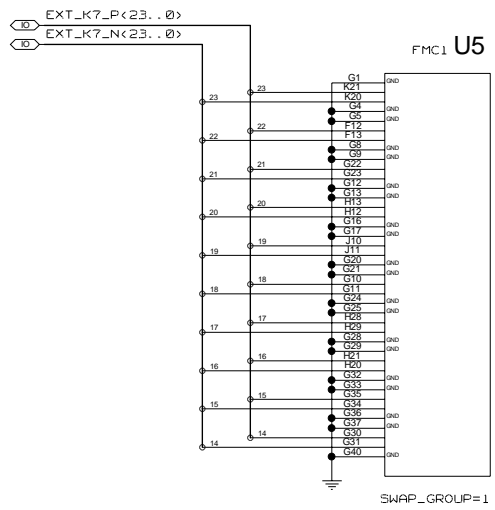
UNIVERSITY OF MAINZ		DRAWING TITLE		
BLOCK: CONTROL EXTENSION_MODUL		EXTENSION MODUL		
SIZE C	REV.	DRAWING NO.		
SCALE			SHEET OF	

REVISIONS				
ZONE	LTR	DESCRIPTION	DATE	APPR.



UNIVERSITY OF MAINZ		DRAWING TITLE		
BLOCK: CONTROL EXTENSION_MODUL		EXTENSION MODUL		
SIZE C	REV.	DRAWING NO.		
SCALE				SHEET OF

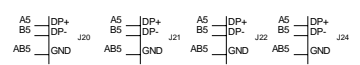
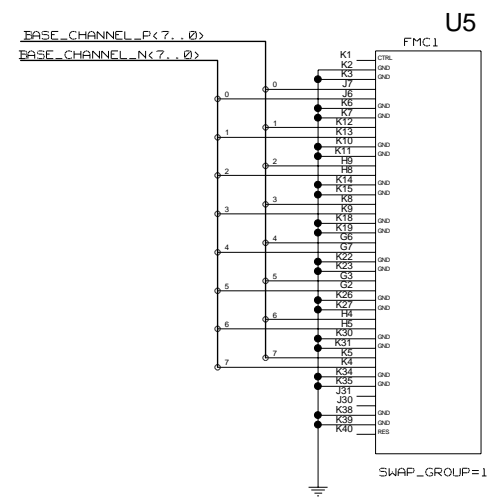
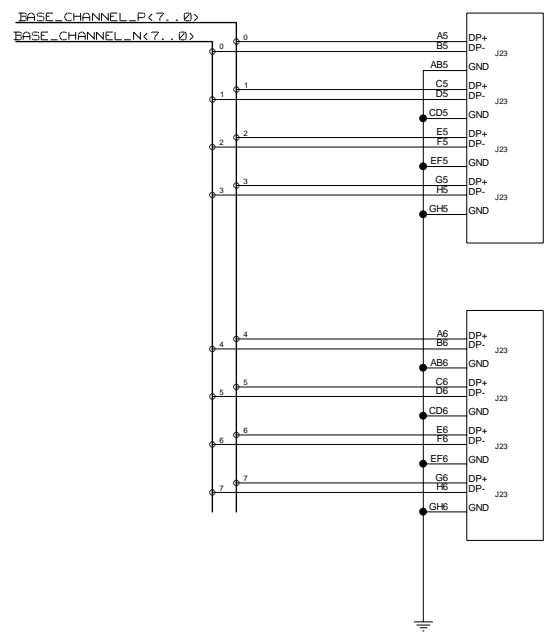
REVISIONS				
ZONE	LTR	DESCRIPTION	DATE	APPR.



UNIVERSITY OF MAINZ		DRAWING TITLE	
BLOCK: CONTROL EXTENSION_MODUL		EXTENSION MODUL	
SIZE C	REV.	DRAWING NO.	
SCALE			SHEET OF

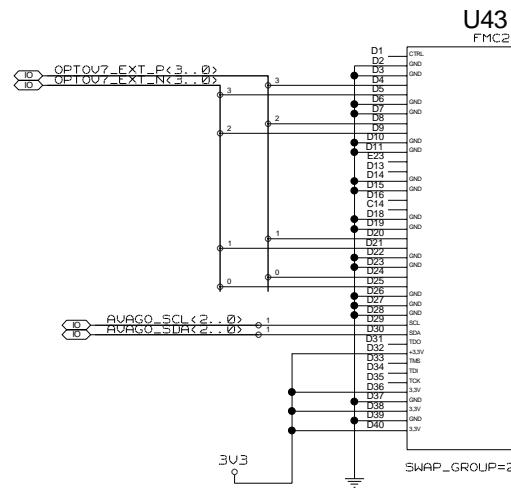
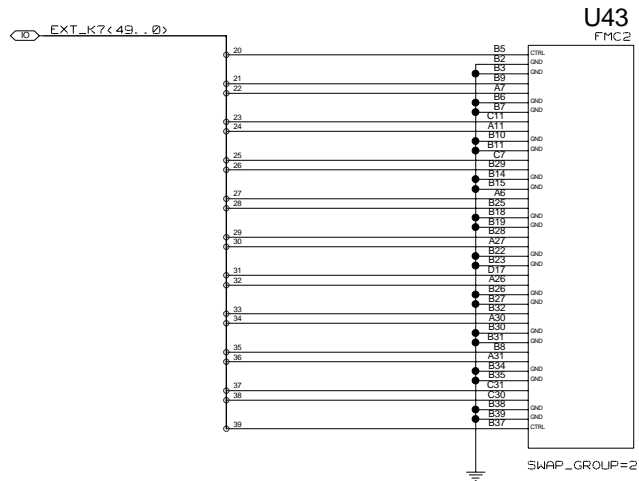
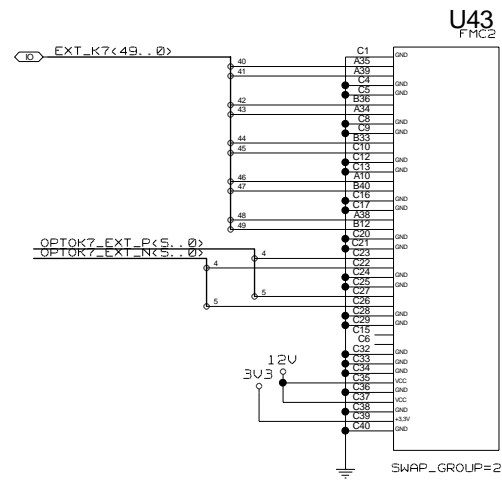
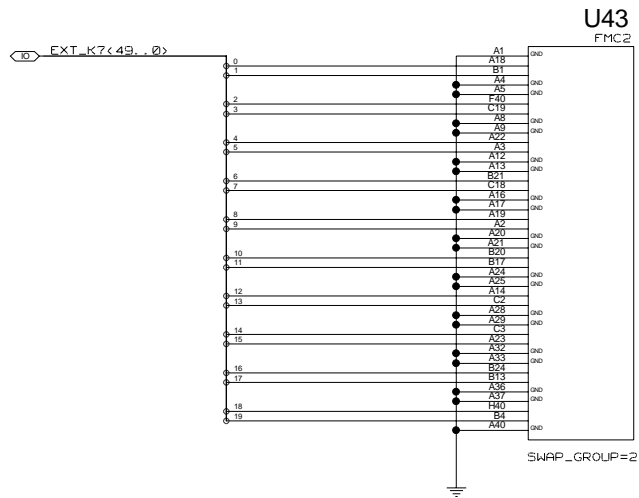
REVISIONS				
ZONE	LTR	DESCRIPTION	DATE	APPR.

BACKPLANE



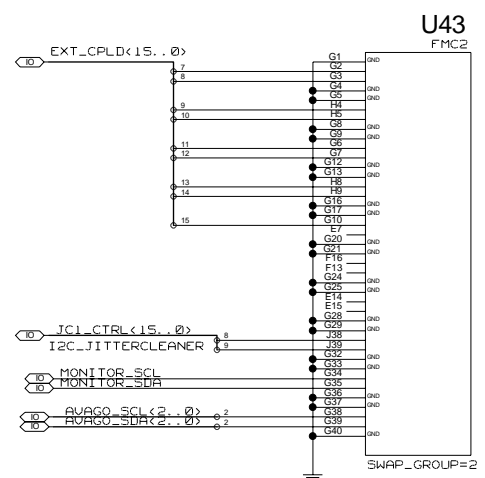
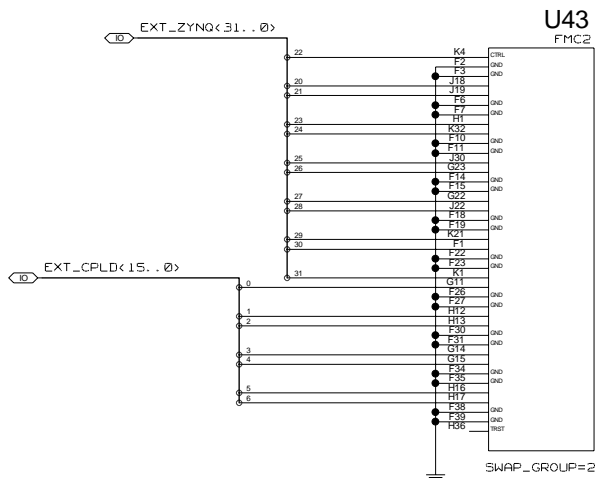
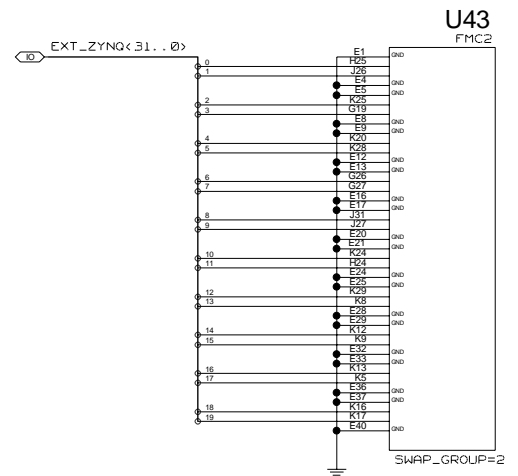
UNIVERSITY OF MAINZ		DRAWING TITLE		
BLOCK: CONTROL EXTENSION_MODUL		EXTENSION MODUL		
SIZE C	REV.	DRAWING NO.		
SCALE			SHEET OF	

REVISIONS				
ZONE	LTR	DESCRIPTION	DATE	APPR.



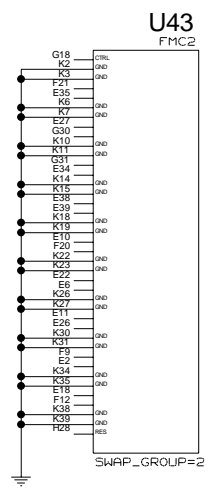
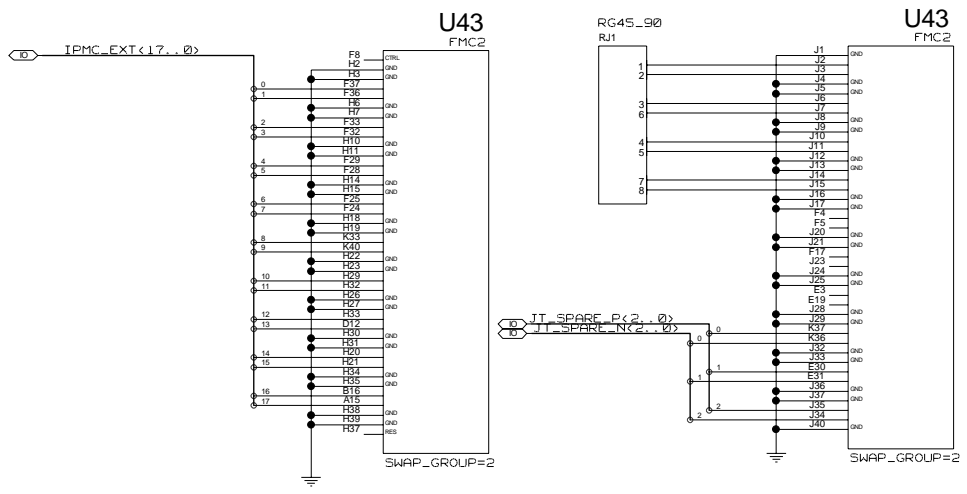
UNIVERSITY OF MAINZ		DRAWING TITLE		
BLOCK: CONTROL EXTENSION_MODUL		EXTENSION MODUL		
SIZE C	REV.	DRAWING NO.		SHEET OF
SCALE				

REVISIONS				
ZONE	LTR	DESCRIPTION	DATE	APPR.



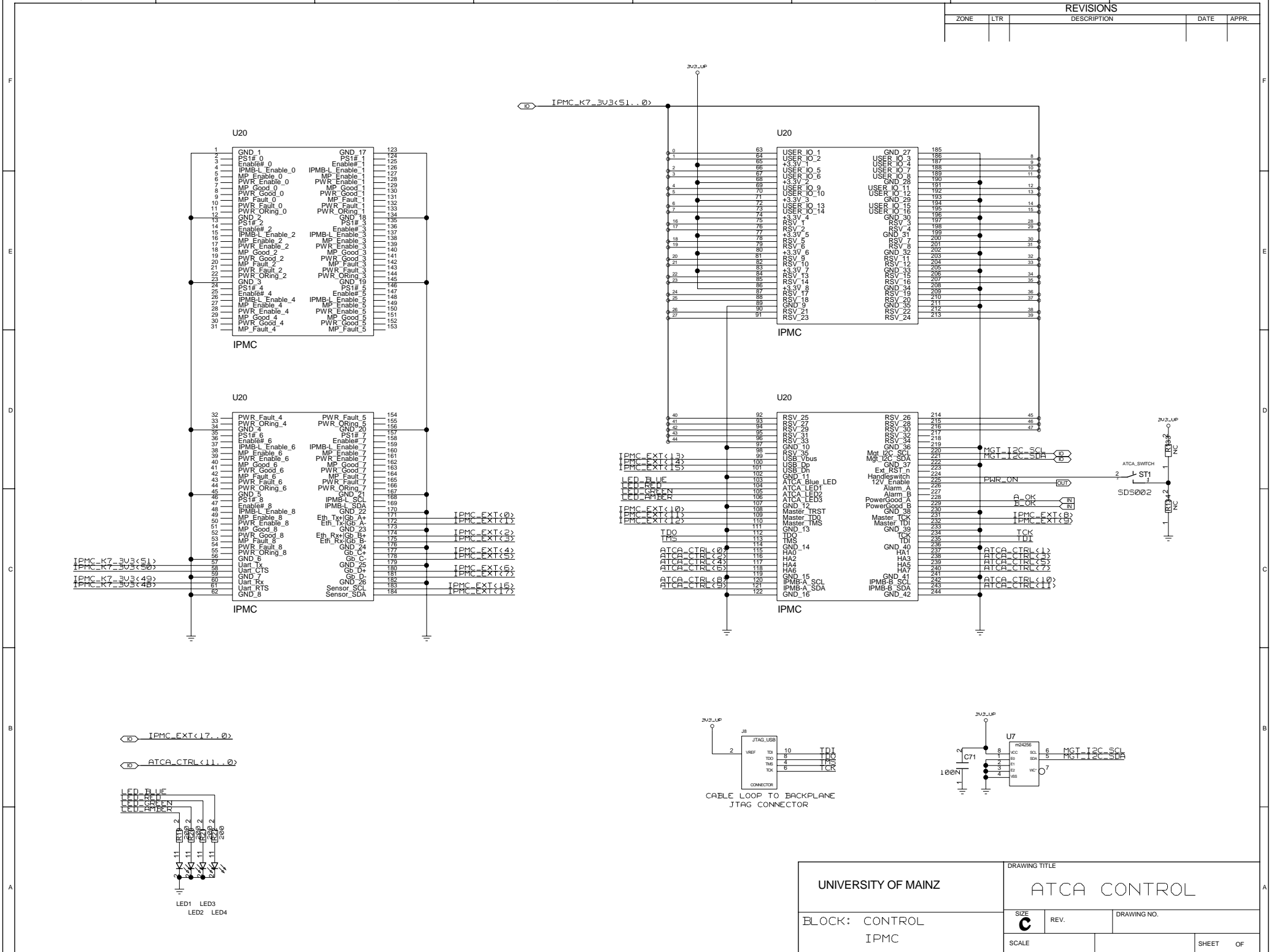
UNIVERSITY OF MAINZ		DRAWING TITLE	
BLOCK: CONTROL EXTENSION_MODUL		EXTENSION MODUL	
SIZE C	REV.	DRAWING NO.	
SCALE		SHEET OF	

REVISIONS				
ZONE	LTR	DESCRIPTION	DATE	APPR.



UNIVERSITY OF MAINZ		DRAWING TITLE	
EXTENSION MODUL		EXTENSION MODUL	
BLOCK: CONTROL EXTENSION_MODUL	SIZE C	REV.	DRAWING NO.
SCALE			SHEET OF

REVISIONS				
ZONE	LTR	DESCRIPTION	DATE	APPR.



UNIVERSITY OF MAINZ		DRAWING TITLE	
BLOCK: CONTROL		ATCA CONTROL	
IPMC		SIZE	DRAWING NO.
SCALE		REV. C	
		SHEET OF	