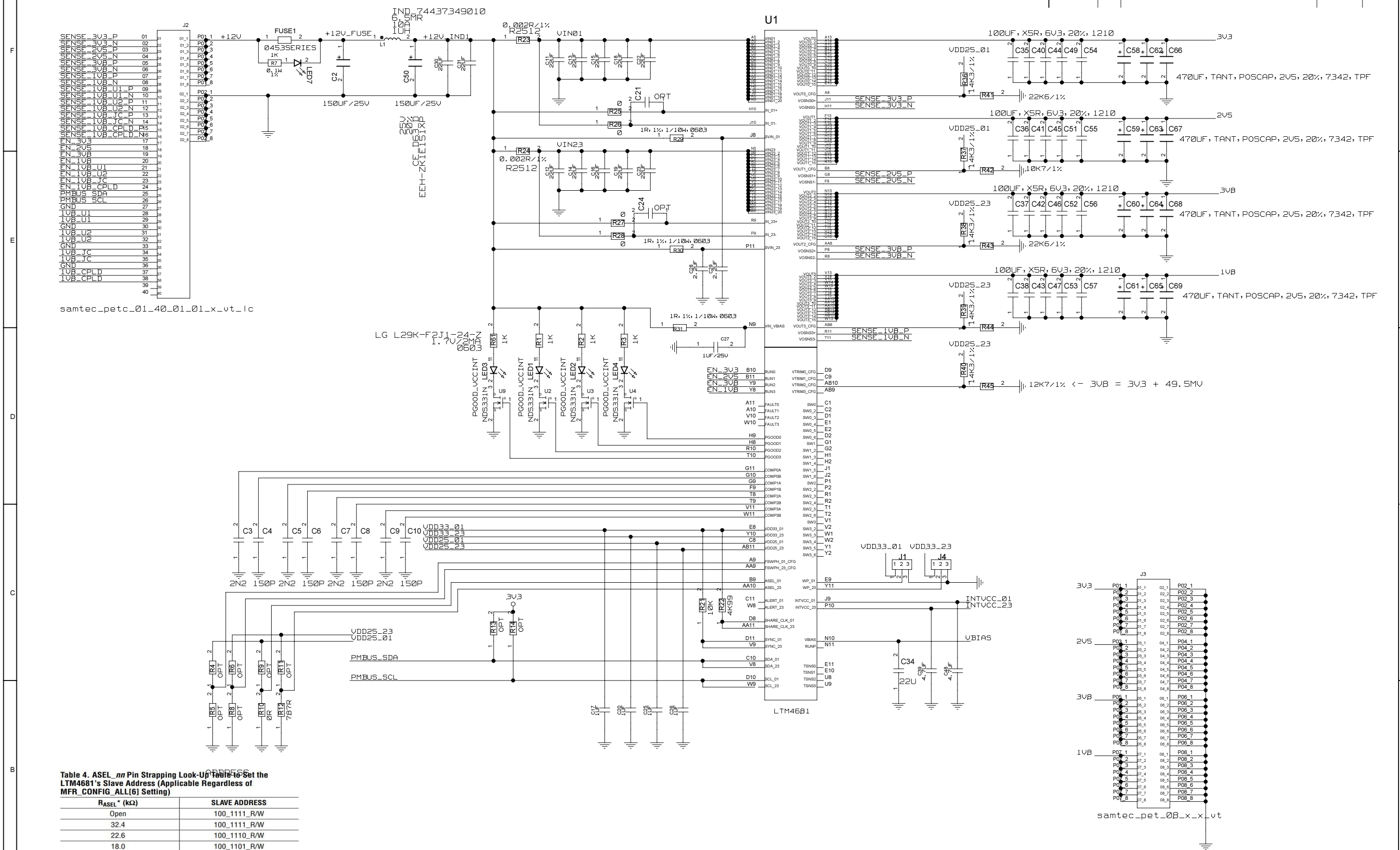
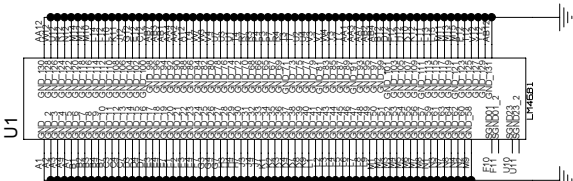
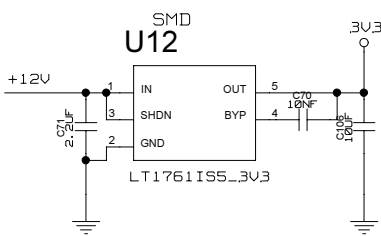


REVISIONS				
ZONE	LTR	DESCRIPTION	DATE	APPR.



**Table 4. ASEL<sub>nn</sub> Pin Strapping Look-Up Table to Set the LTM4681's Slave Address (Applicable Regardless of MFR\_CONFIG\_ALL[6] Setting)**

R <sub>Asel<sub>n</sub></sub> (kΩ)	SLAVE ADDRESS
Open	100_1111_R/W
32.4	100_1111_R/W
22.6	100_1110_R/W
18.0	100_1101_R/W
15.4	100_1100_R/W
12.7	100_1011_R/W
10.7	100_1010_R/W
9.09	100_1001_R/W
7.68	100_1000_R/W
6.34	100_0111_R/W
5.23	100_0110_R/W
4.22	100_0101_R/W
3.24	100_0100_R/W
2.43	100_0011_R/W
1.65	100_0010_R/W
0.787	100_0001_R/W
...	...
0	100_0000_R/W



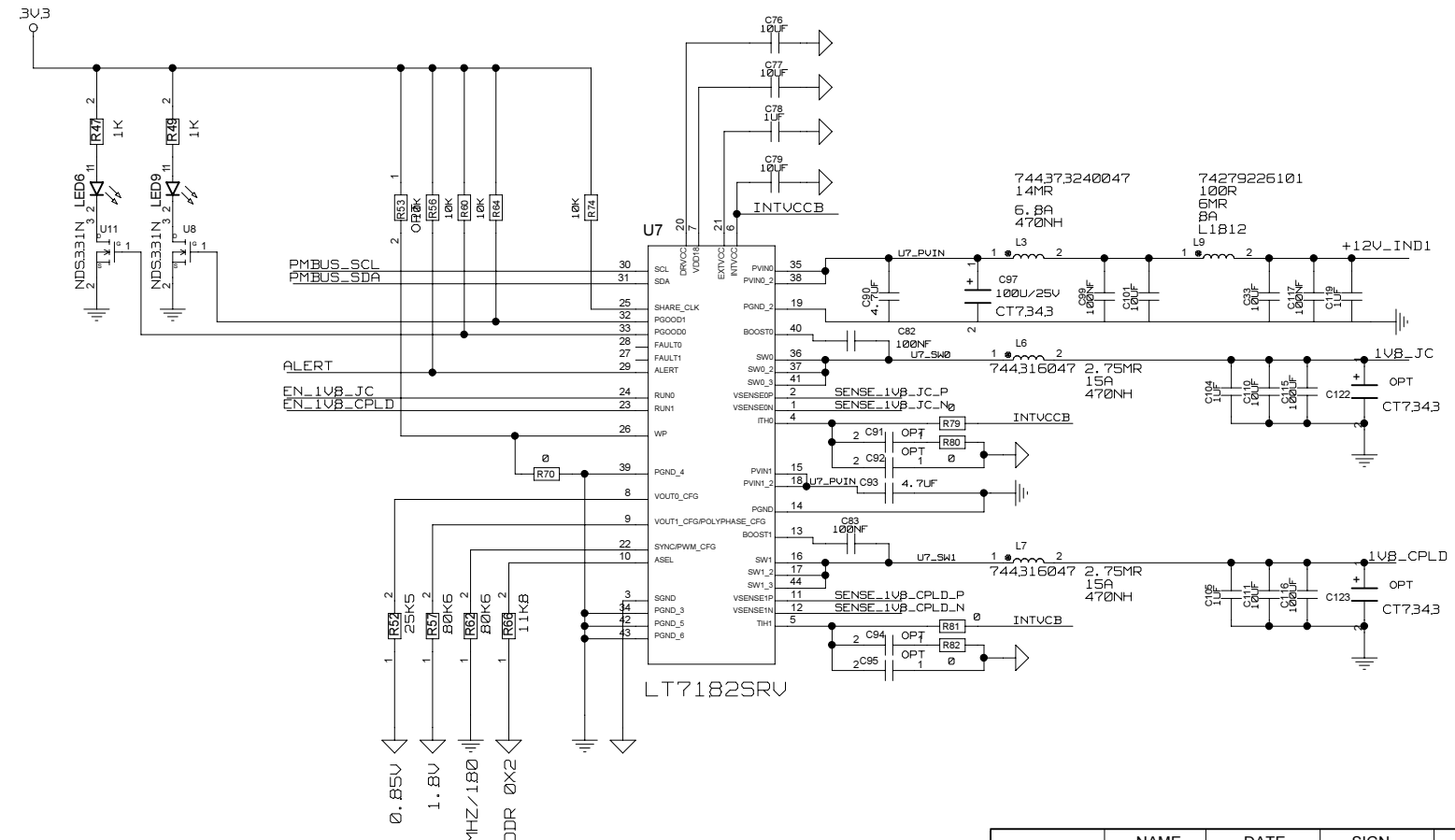
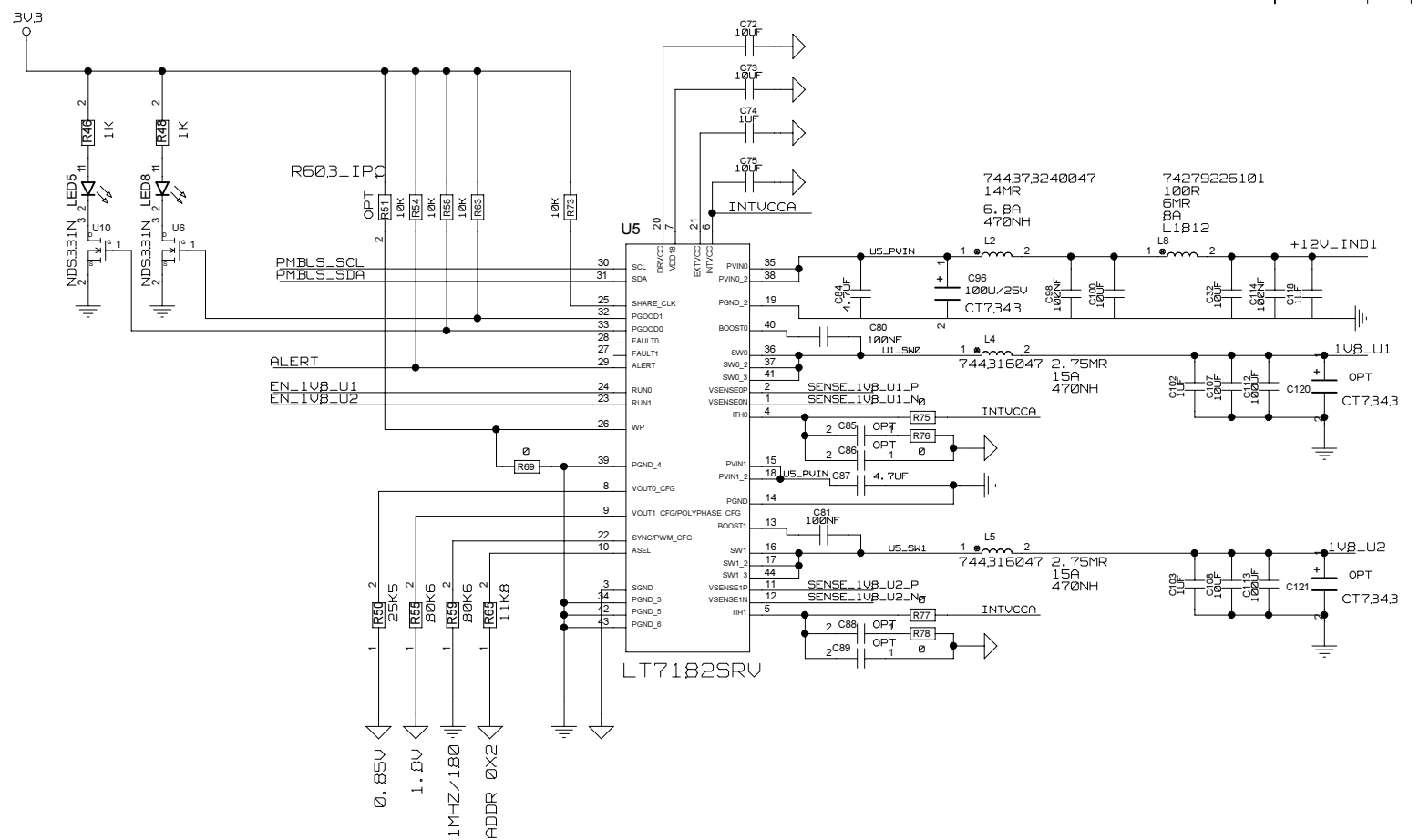
NAME	DATE	SIGN	DRAWING TITLE
CHECKED	U.SCHAEFER		
CHECKED			
CHECKED			
DRAWN	BAUSS		
BLOCK TITLE	ffex_b1_pwr		
UNIVERSITY OF MAINZ		SIZE	DRAWING NO.
SCALE	REV.	PAGE	
		1 OF 2	

**FFEX**

B. BAUSS Wed Jul 12 11:45:35 2023

SIZE	REV.	DRAWING NO.
SCALE		PAGE
		1 OF 2

REVISIONS				
ZONE	LTR	DESCRIPTION	DATE	APPR.



NAME	DATE	SIGN	DRAWING TITLE
CHECKED	U.SCHAEFER		
CHECKED			
CHECKED			
DRAWN	BAUSS		
BLOCK TITLE			
f f e x _ b l _ p w r			
UNIVERSITY OF MAINZ			
B. BAUSS Wed Jul 12 11:43:21 2023			
SIZE	REV.	DRAWING NO.	
C			
SCALE		PAGE	
		2 OF 2	

**FFEX**