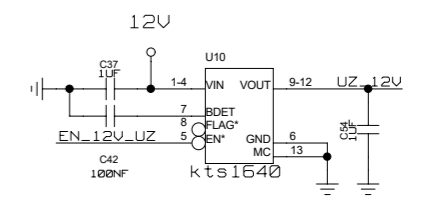
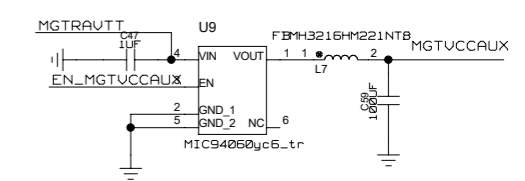


REVISIONS				
ZONE	LTR	DESCRIPTION	DATE	APPR.

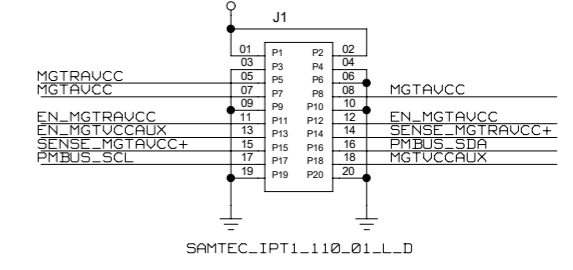
LOAD SWITCH 12V



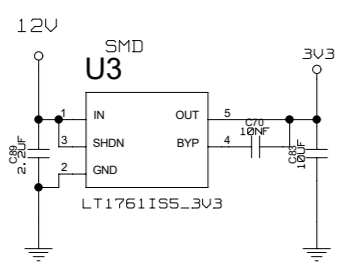
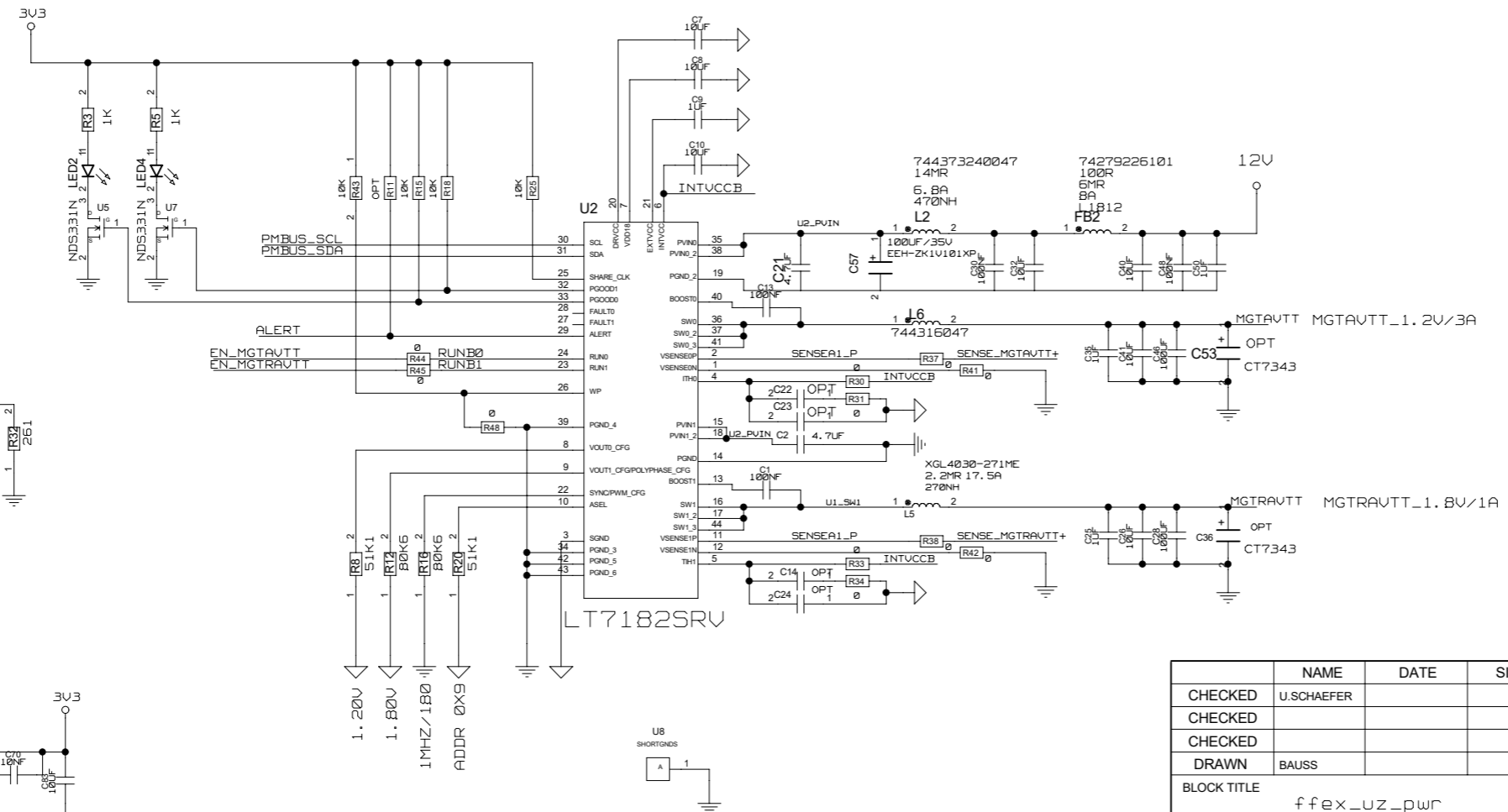
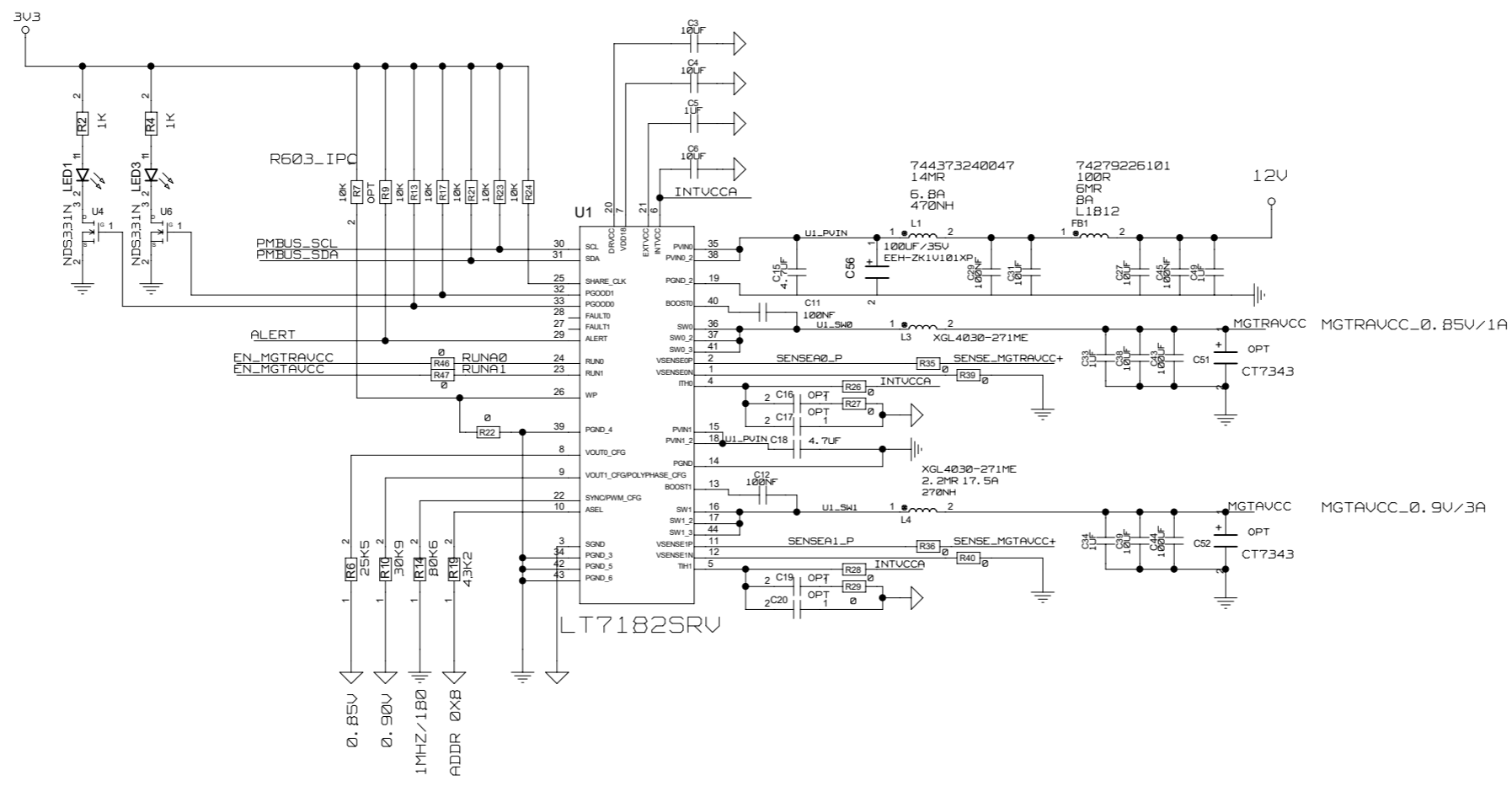
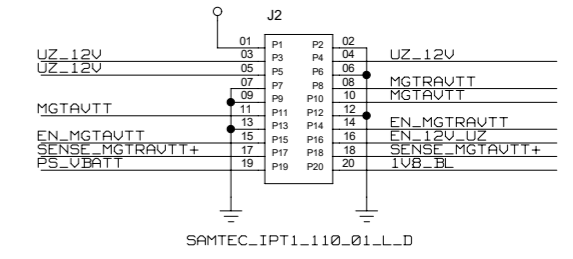
LOAD SWITCH MGTUCCAUX



12V



12V



NAME	DATE	SIGN	DRAWING TITLE
CHECKED	U.SCHAEFER		
CHECKED			
CHECKED			
DRAWN	BAUSS		
BLOCK TITLE			f f e x _ u z _ p w r
UNIVERSITY OF MAINZ			

DRAWING TITLE			FFEX
B. BAUSS Mon Jul 10 13:53:47 2023			
SIZE	REV.	DRAWING NO.	
C			
SCALE		PAGE	
		1 OF 1	

F  
E  
D  
C  
B  
A

8 7 6 5 4 3 2 1