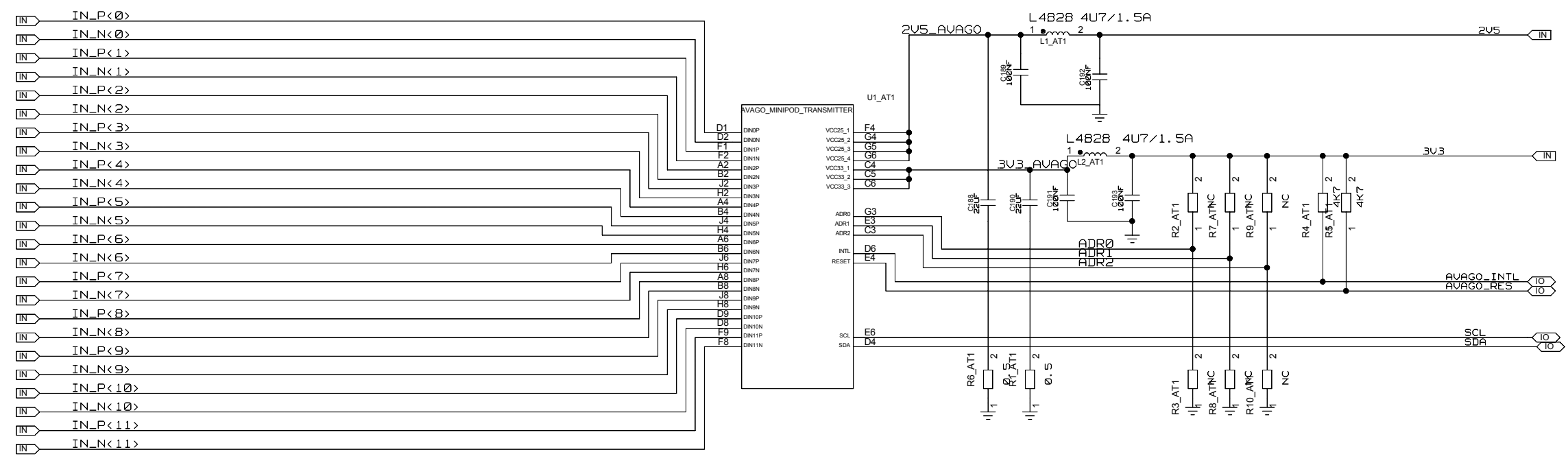


REVISIONS				
ZONE	LTR	DESCRIPTION	DATE	APPR.



UNIVERSITY OF MAINZ		DRAWING TITLE	
		AVAGO TRANSMITTER	
SIZE	REV.	DRAWING NO.	
C			
SCALE		SHEET OF	