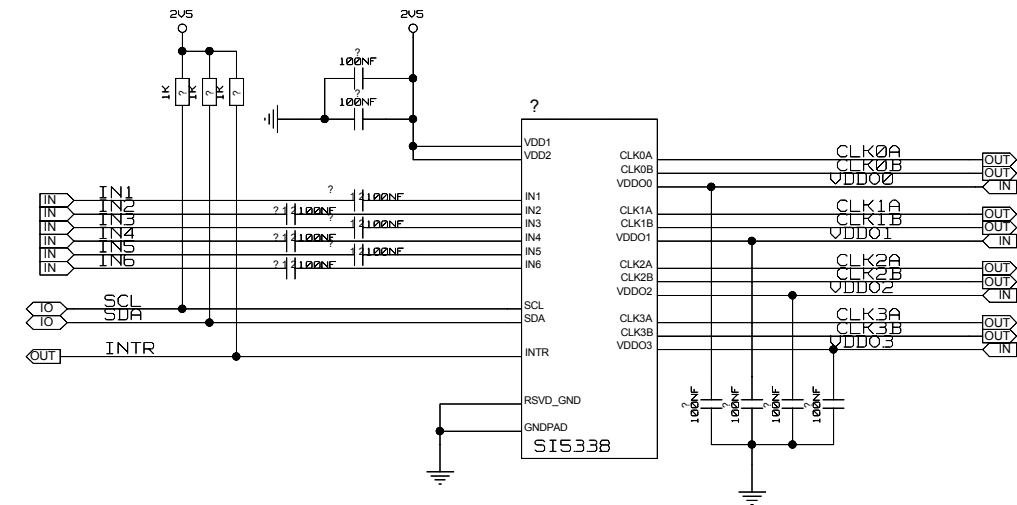


REVISIONS

ZONE	LTR	DESCRIPTION	DATE	APPR.



CHECKED	NAME	DATE	SIGN	DRAWING TITLE		
	E.ROCCO					
	U.SCHAEFER					
	S.RAVE					
	BAUSS					
BLOCK TITLE						
UNIVERSITY OF MAINZ				SIZE <b>C</b>	REV.	DRAWING NO.
				SCALE		SHEET OF