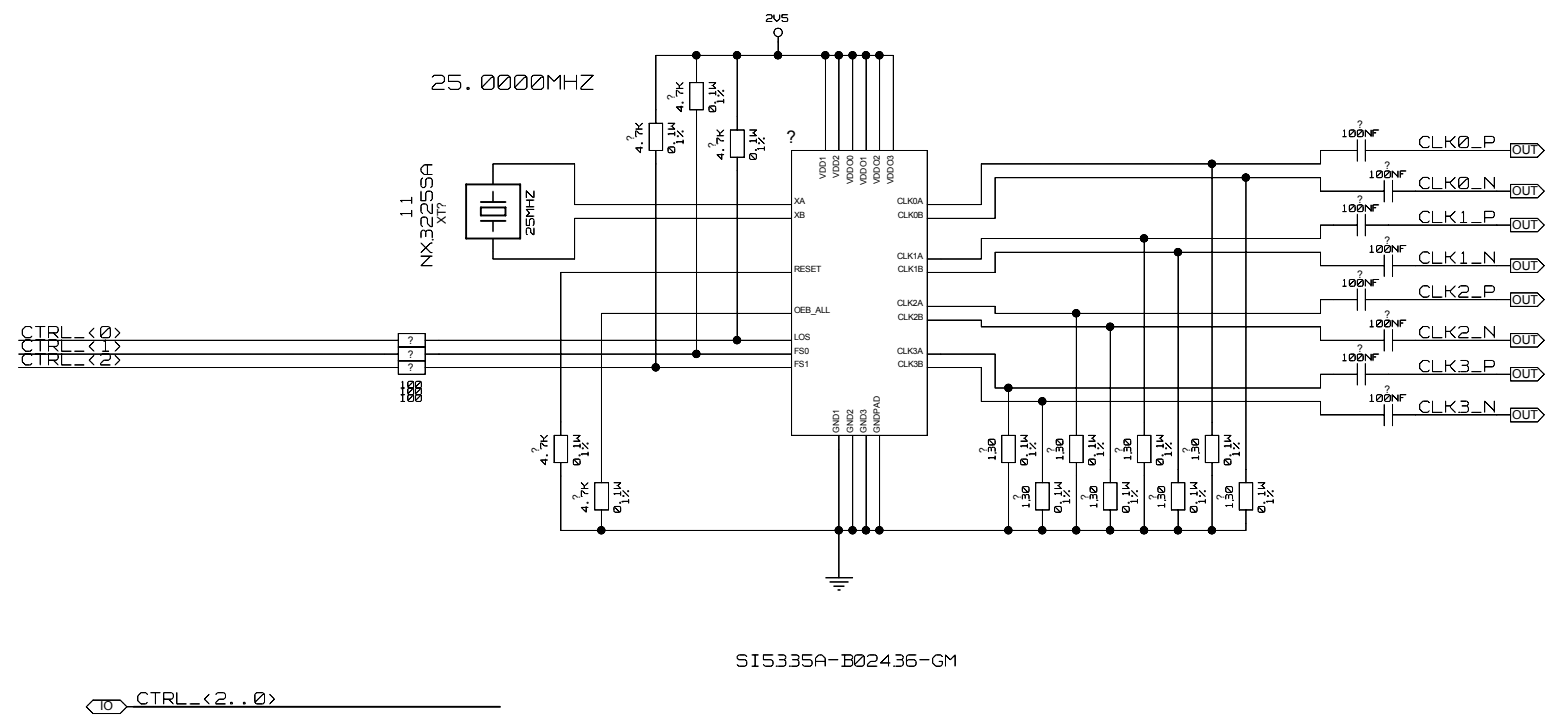
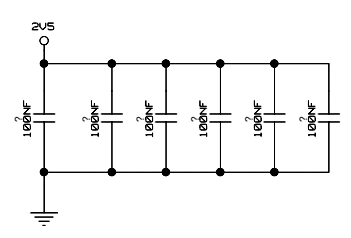


REVISIONS				
ZONE	LTR	DESCRIPTION	DATE	APPR.



10 CTRL<2..0>



CHECKED	NAME	DATE	SIGN	DRAWING TITLE		
CHECKED	E.ROCCO					
CHECKED	U.SCHAEFER					
CHECKED	S.RAVE					
DRAWN	BAUSS					
BLOCK TITLE						
UNIVERSITY OF MAINZ				SIZE <b>C</b>	REV.	DRAWING NO.
				SCALE		SHEET OF