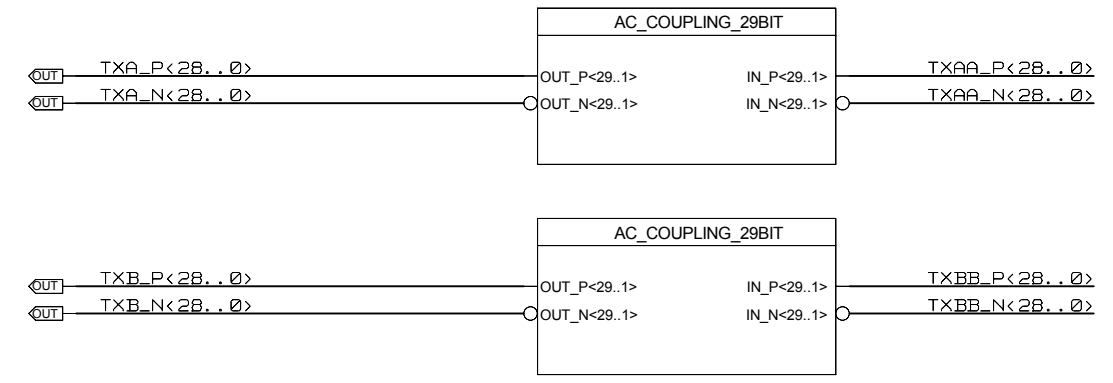


REVISIONS				
ZONE	LTR	DESCRIPTION	DATE	APPR.

AC COUPLING

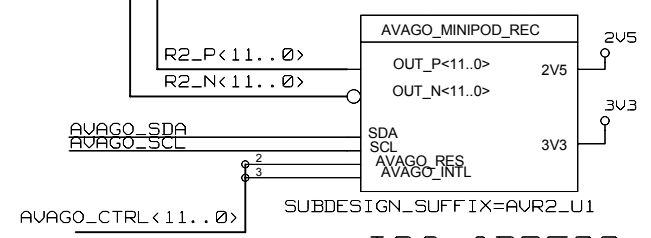
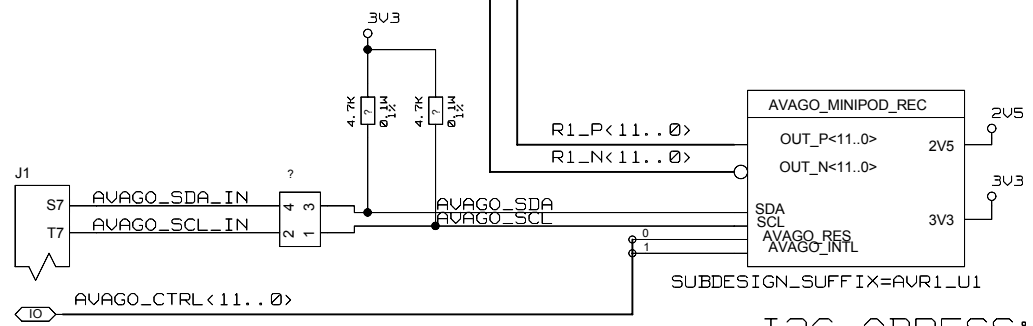
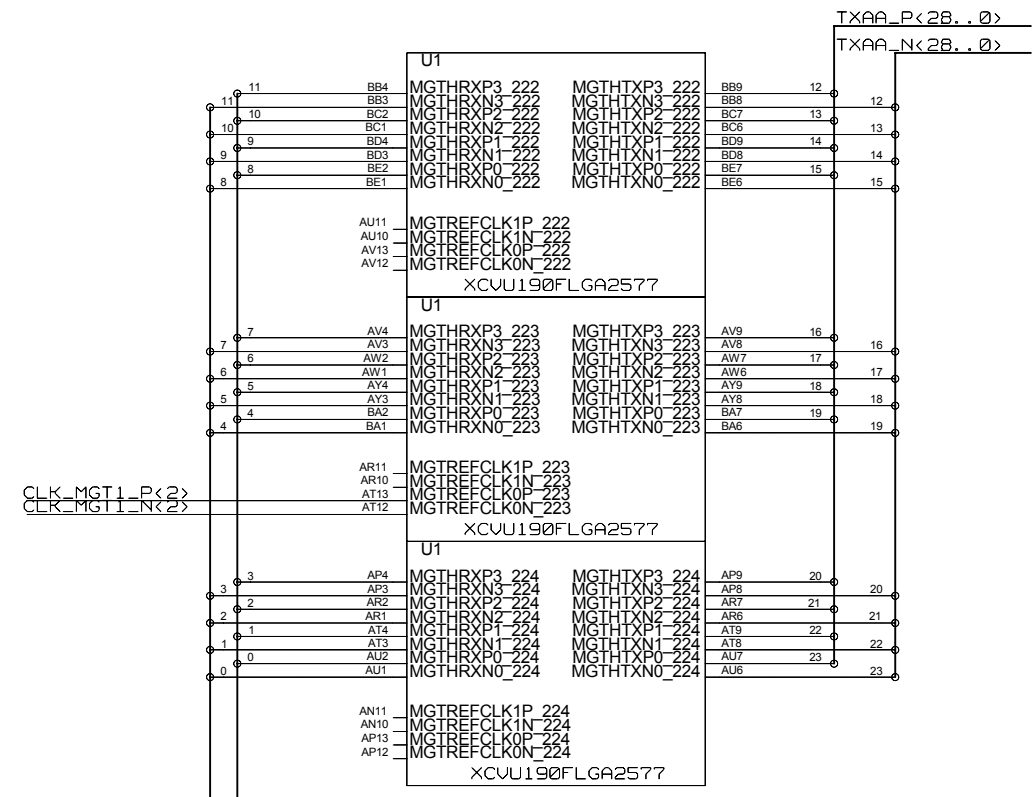
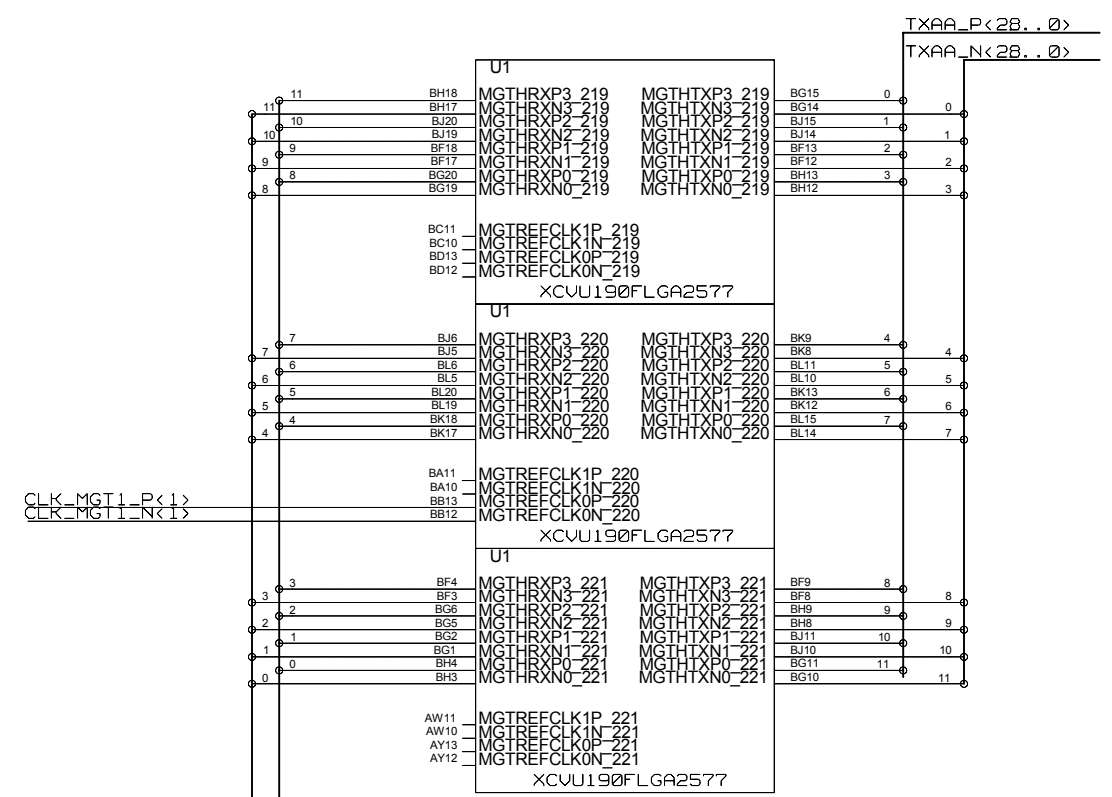


IN IPBUS_P<1..0>
IN IPBUS_N<1..0>

IN CLK_MGT1_P<12..1>
IN CLK_MGT1_N<12..1>
IN CLK_MGT2_P<4..1>
IN CLK_MGT2_N<4..1>
IN CLK_MGT3_P<6..1>
IN CLK_MGT3_N<6..1>
IN CLK_MGT4_P<6..1>
IN CLK_MGT4_N<6..1>

	NAME	DATE	SIGN	DRAWING TITLE		
CHECKED	E.ROCCO			I/O + AC COUPLING		
CHECKED	U.SCHAEFER					
CHECKED	S.RAVE					
DRAWN	BAUSS	07.08.2015		BLOCK TITLE		
UNIVERSITY OF MAINZ				SIZE C	REV.	DRAWING NO.
				SCALE		SHEET 1 of 7

REVISIONS				
ZONE	LTR	DESCRIPTION	DATE	APPR.



OPTO_CTRL<11..0>
 OPTO_CTRL 0, 2, 4, 6, 8, 10 = AVAGO_RES_XX
 OPTO_CTRL 1, 3, 5, 7, 9, 11 = AVAGO_INTL_XX

I2C ADDRESS:
 R3=XXX R4=XXX
 R5=XXX R6=XXX
 R7=XXX R8=XXX

I2C ADDRESS:
 R3=XXX R4=XXX
 R5=XXX R6=XXX
 R7=XXX R8=XXX

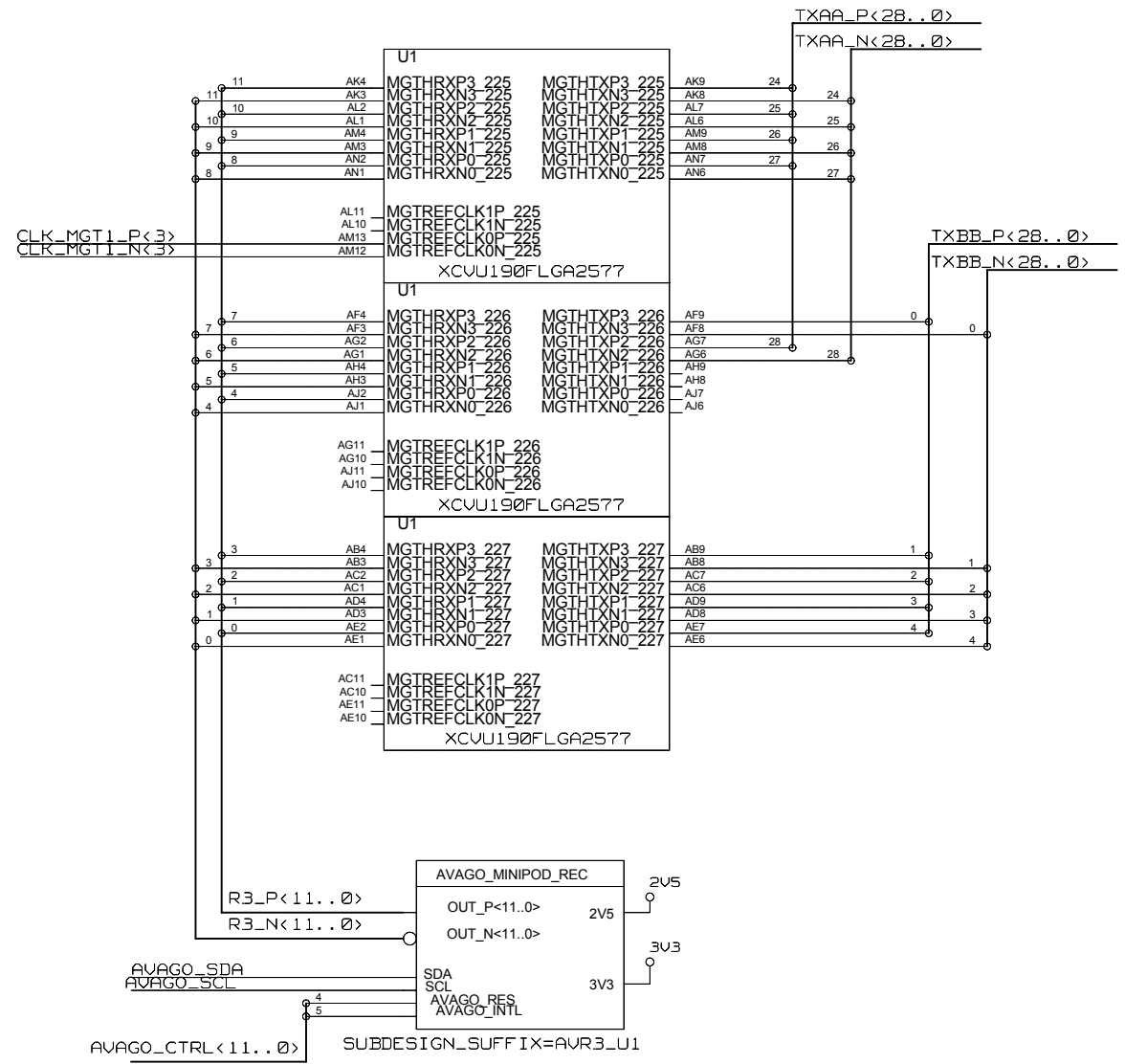
BANK
 219
 222
 224

CHECKED	NAME	DATE	SIGN
	E.ROCCO		
	U.SCHAEFER		
	S.RAVE		
	BAUSS	07.08.2015	

DRAWING TITLE		
AVAGO TXA		
SIZE C	REV.	DRAWING NO.
SCALE	SHEET 2 OF 7	

BLOCK TITLE
 U1_MGT_REAL_TIME
 UNIVERSITY OF MAINZ

REVISIONS				
ZONE	LTR	DESCRIPTION	DATE	APPR.

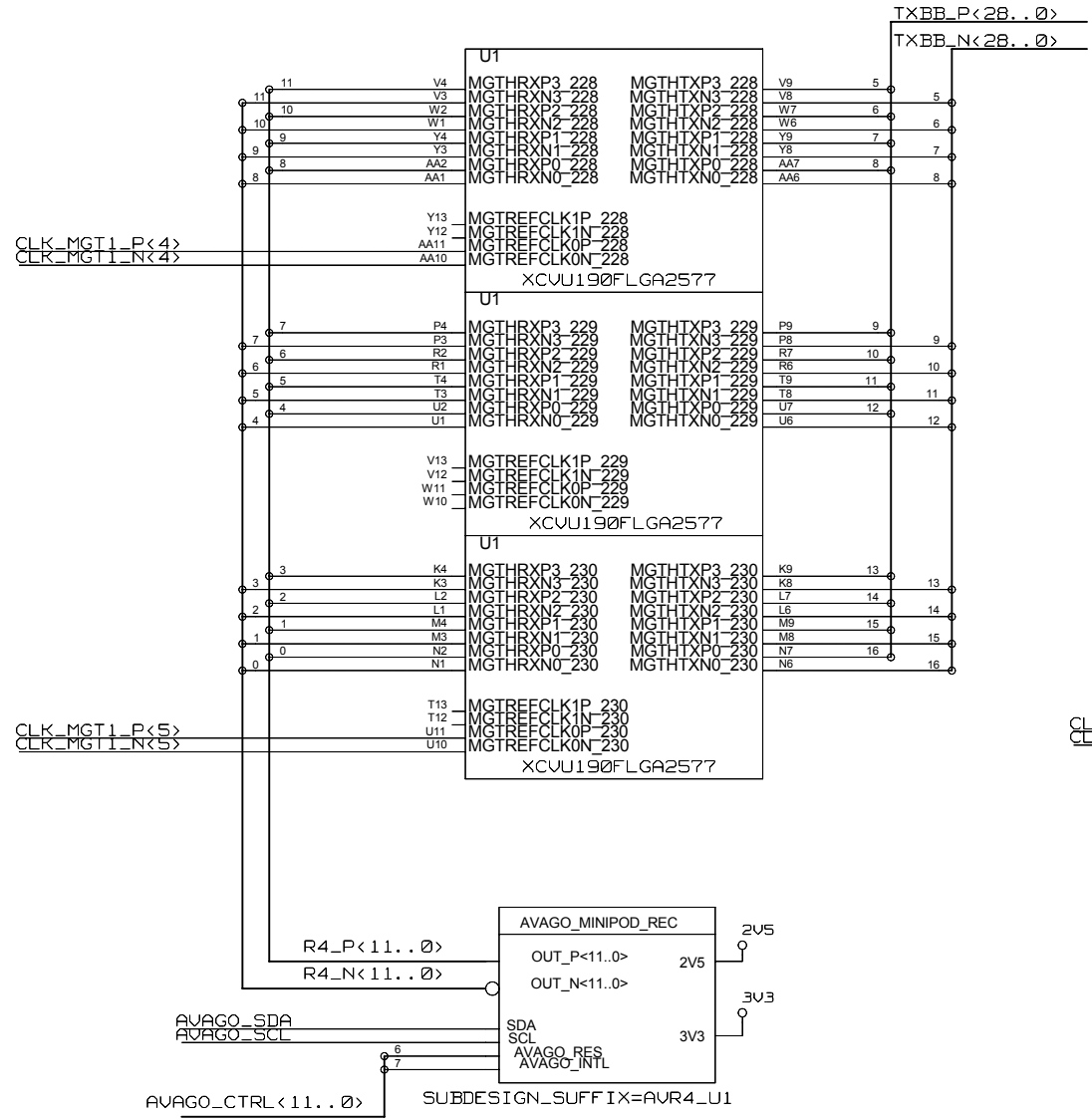


I2C ADDRESS:
R3=XXX R4=XXX
R5=XXX R6=XXX
R7=XXX R8=XXX

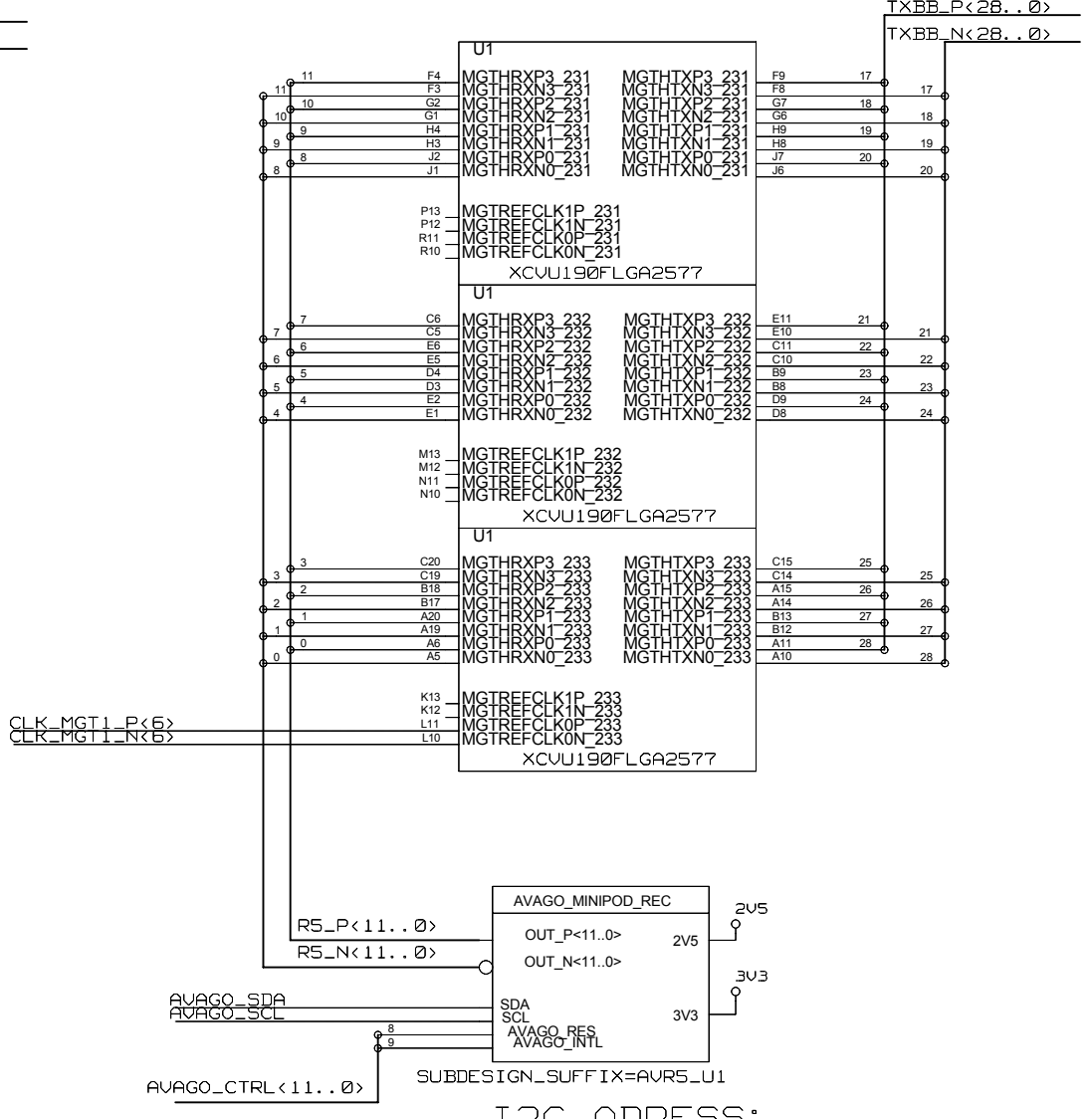
BANK
225
226
227

CHECKED	E.ROCCO	DATE	SIGN	DRAWING TITLE AVAGO TXA + TXB	
CHECKED	U.SCHAEFER				
CHECKED	S.RAVE				
DRAWN	BAUSS	07.08.2015			
BLOCK TITLE U1_MGT_REAL_TIME				SIZE C	DRAWING NO.
UNIVERSITY OF MAINZ				SCALE	SHEET 3 of 7

REVISIONS			
ZONE	LTR	DESCRIPTION	DATE



I2C ADDRESS:
R3=XXX R4=XXX
R5=XXX R6=XXX
R7=XXX R8=XXX

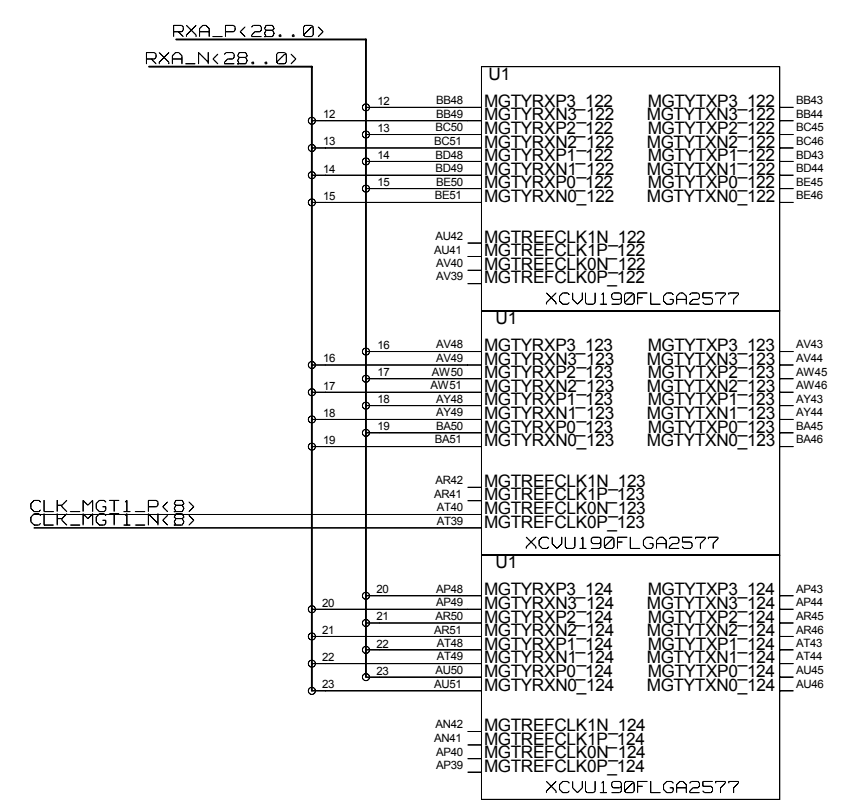
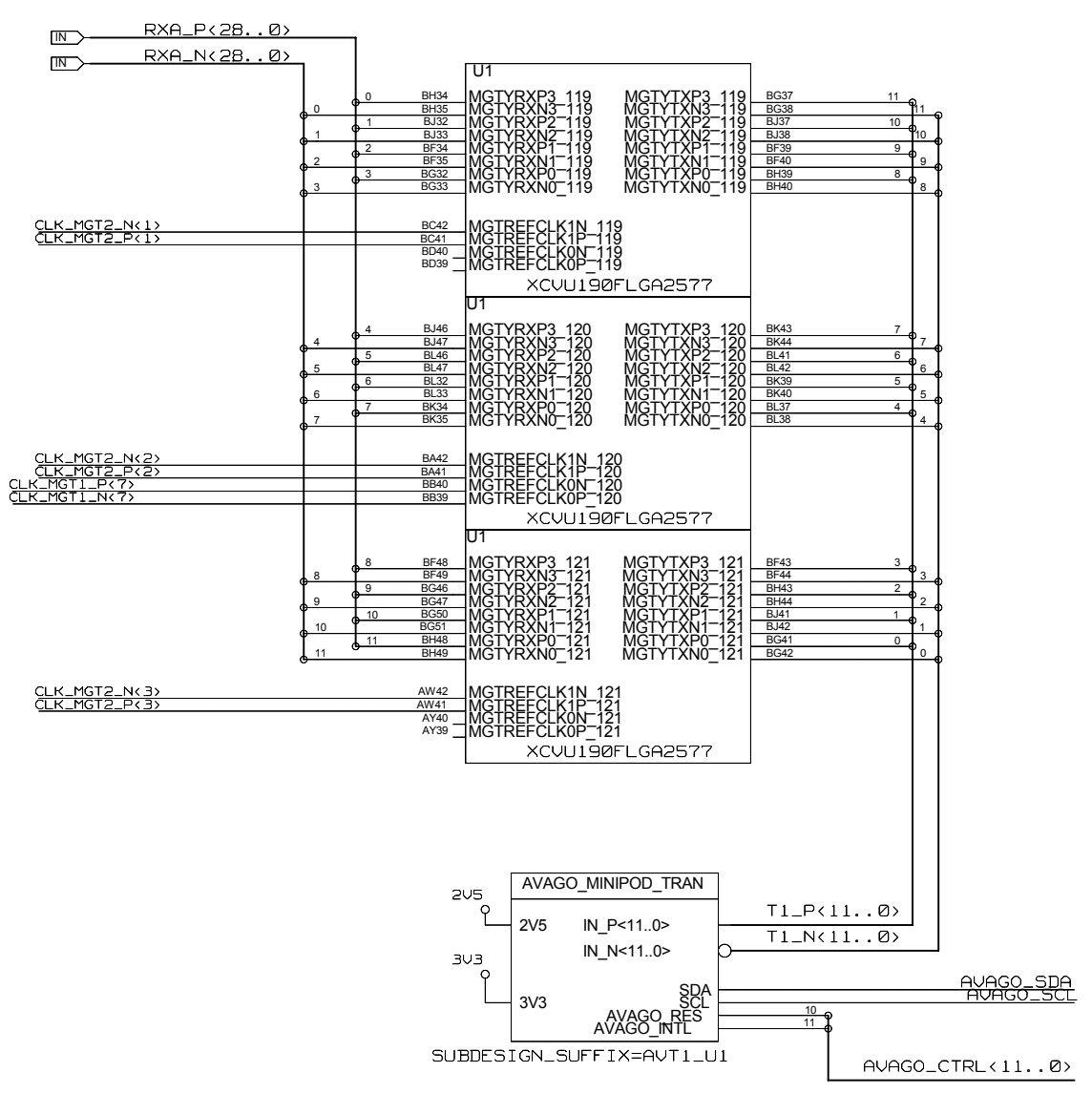


I2C ADDRESS:
R3=XXX R4=XXX
R5=XXX R6=XXX
R7=XXX R8=XXX

BANK
2208
2209
2210
2211
2212
2213
2214
2215
2216
2217
2218
2219
2220

	NAME	DATE	SIGN	DRAWING TITLE	
CHECKED	E.ROCCO			<h1>AVAGO TXB</h1>	
CHECKED	U.SCHAEFER				
CHECKED	S.RAVE				
DRAWN	BAUSS	07.08.2015			
BLOCK TITLE				DRAWING NO.	
UNIVERSITY OF MAINZ				SIZE	REV.
				C	
				SCALE	SHEET 4 of 7

REVISIONS				
ZONE	LTR	DESCRIPTION	DATE	APPR.

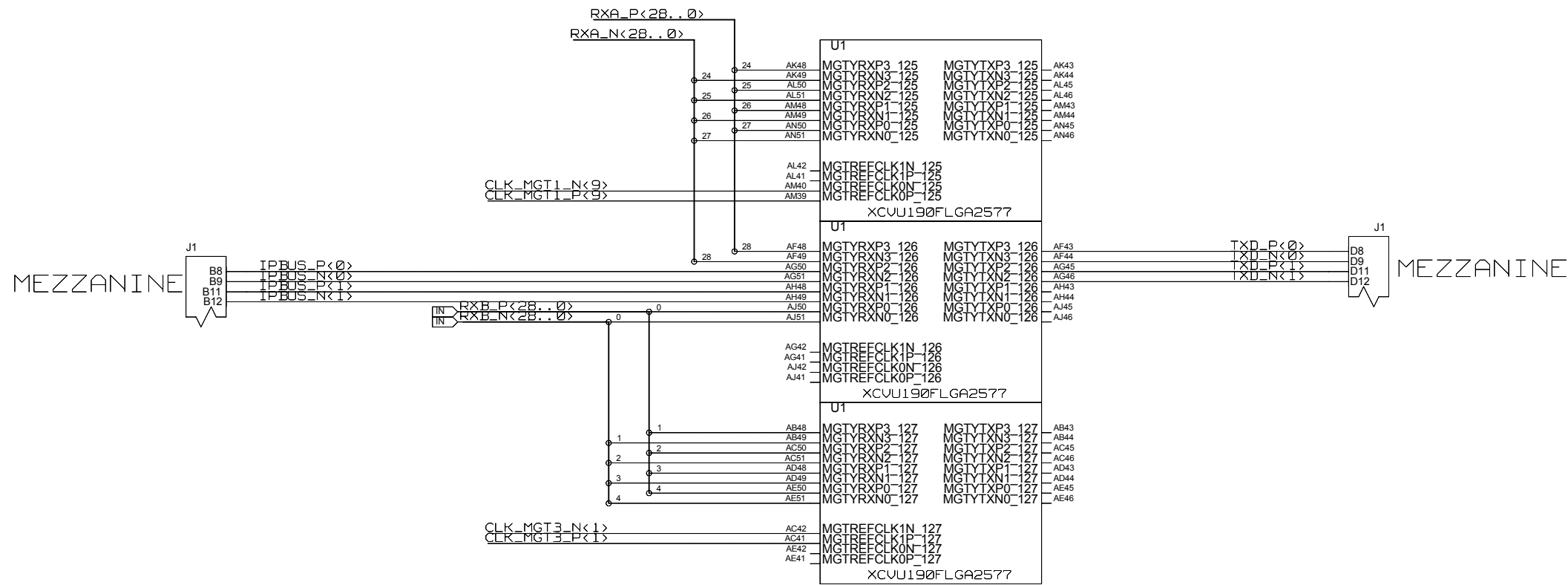


I2C ADDRESS:
 R3=XXX R4=XXX
 R5=XXX R6=XXX
 R7=XXX R8=XXX

BANK
119
120
121
122
123
124

CHECKED	E.ROCCO	DATE	SIGN	DRAWING TITLE AVAGO RXA
CHECKED	U.SCHAEFER			
CHECKED	S.RAVE			
DRAWN	BAUSS	07.08.2015		
BLOCK TITLE U1_MGT_REAL_TIME				SIZE C
UNIVERSITY OF MAINZ				REV.
SCALE				DRAWING NO.
SHEET 5 of 7				

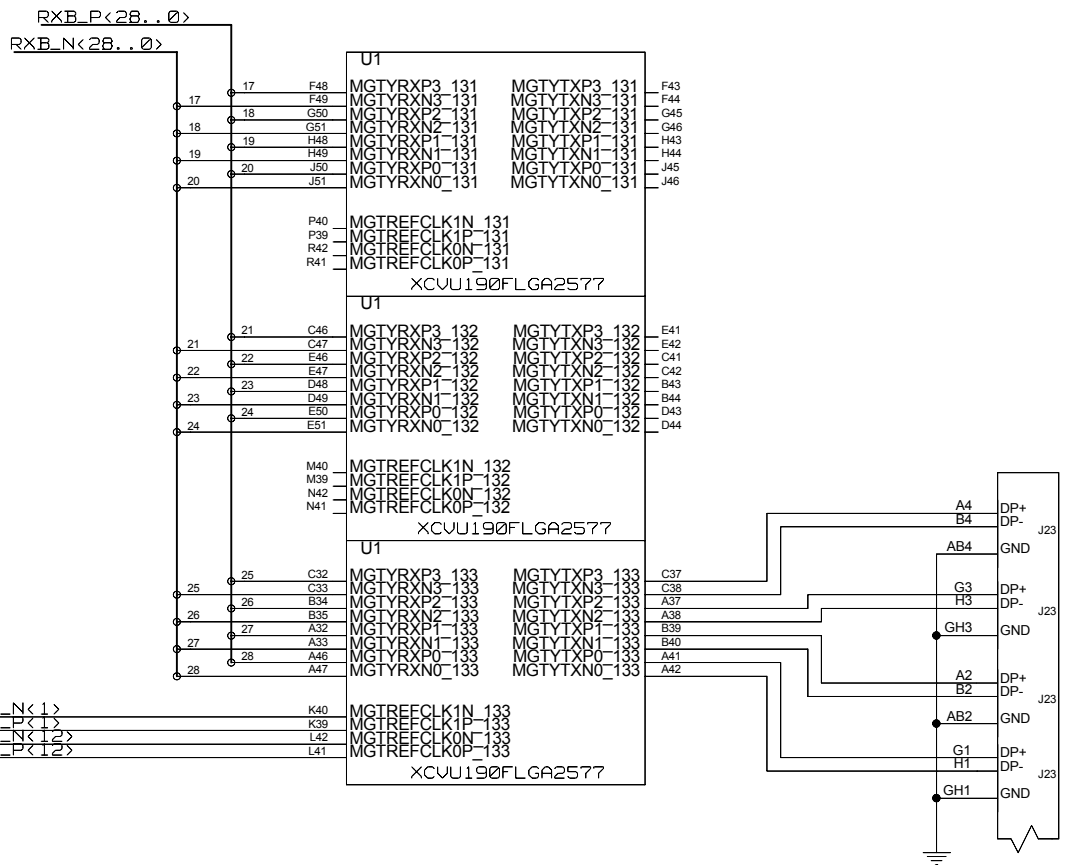
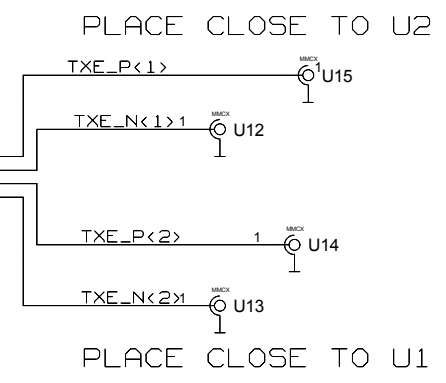
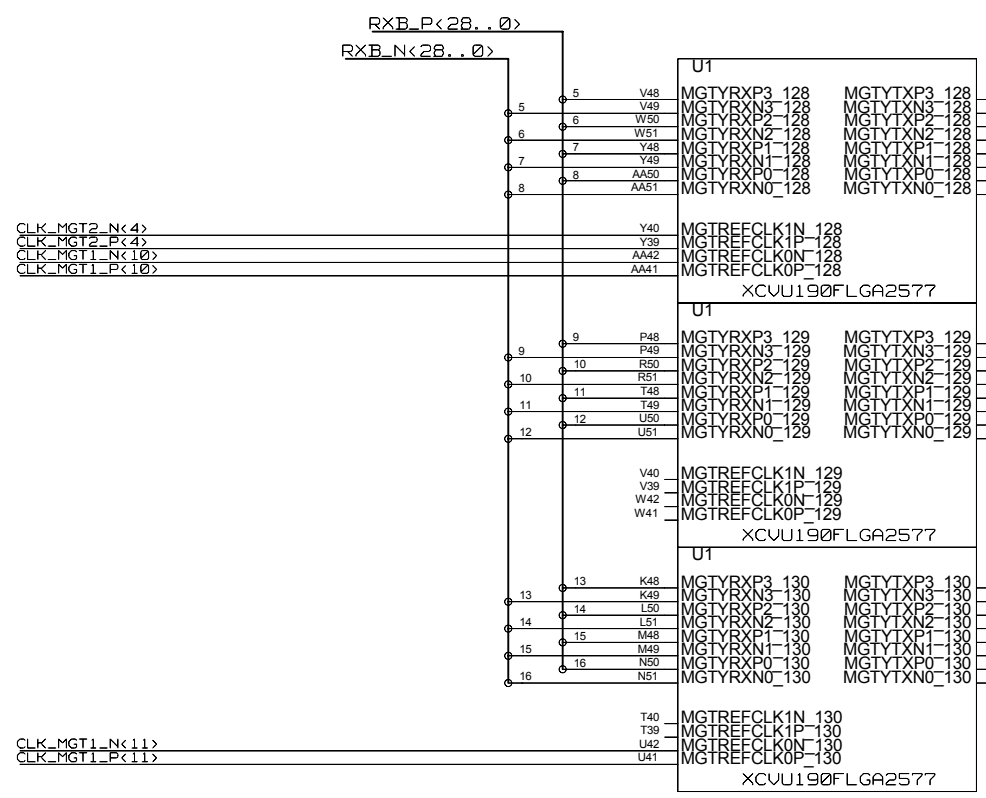
REVISIONS				
ZONE	LTR	DESCRIPTION	DATE	APPR.



BANK
125
126
127

CHECKED	E.ROCCO	DATE	SIGN	DRAWING TITLE RXA + RXB TXD + IPBUS
CHECKED	U.SCHAEFER			
CHECKED	S.RAVE			
DRAWN	BAUSS	07.08.2015		
BLOCK TITLE U1_MGT_REAL_TIME				SIZE C
UNIVERSITY OF MAINZ				REV.
SCALE				DRAWING NO.
				SHEET 6 OF 7

REVISIONS				
ZONE	LTR	DESCRIPTION	DATE	APPR.



BANK
128
129
130
131
132
133

CHECKED	E.ROCCO			DRAWING TITLE RXB + TXC
CHECKED	U.SCHAEFER			
CHECKED	S.RAVE			
DRAWN	BAUSS	07.08.2015		
BLOCK TITLE U1_MGT_REAL_TIME				
UNIVERSITY OF MAINZ				SIZE C
		REV.	DRAWING NO.	
SCALE				SHEET 7 OF 7